

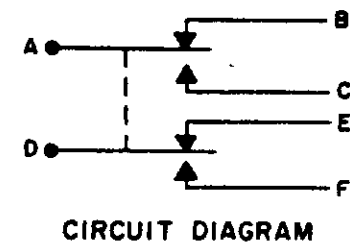
MICRO SWITCH

FREEPORT ILLINOIS U S A
A DIVISION OF HONEYWELL

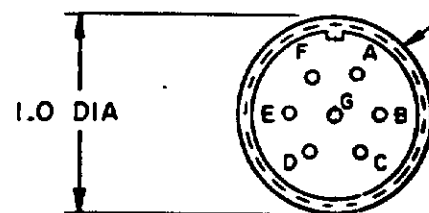
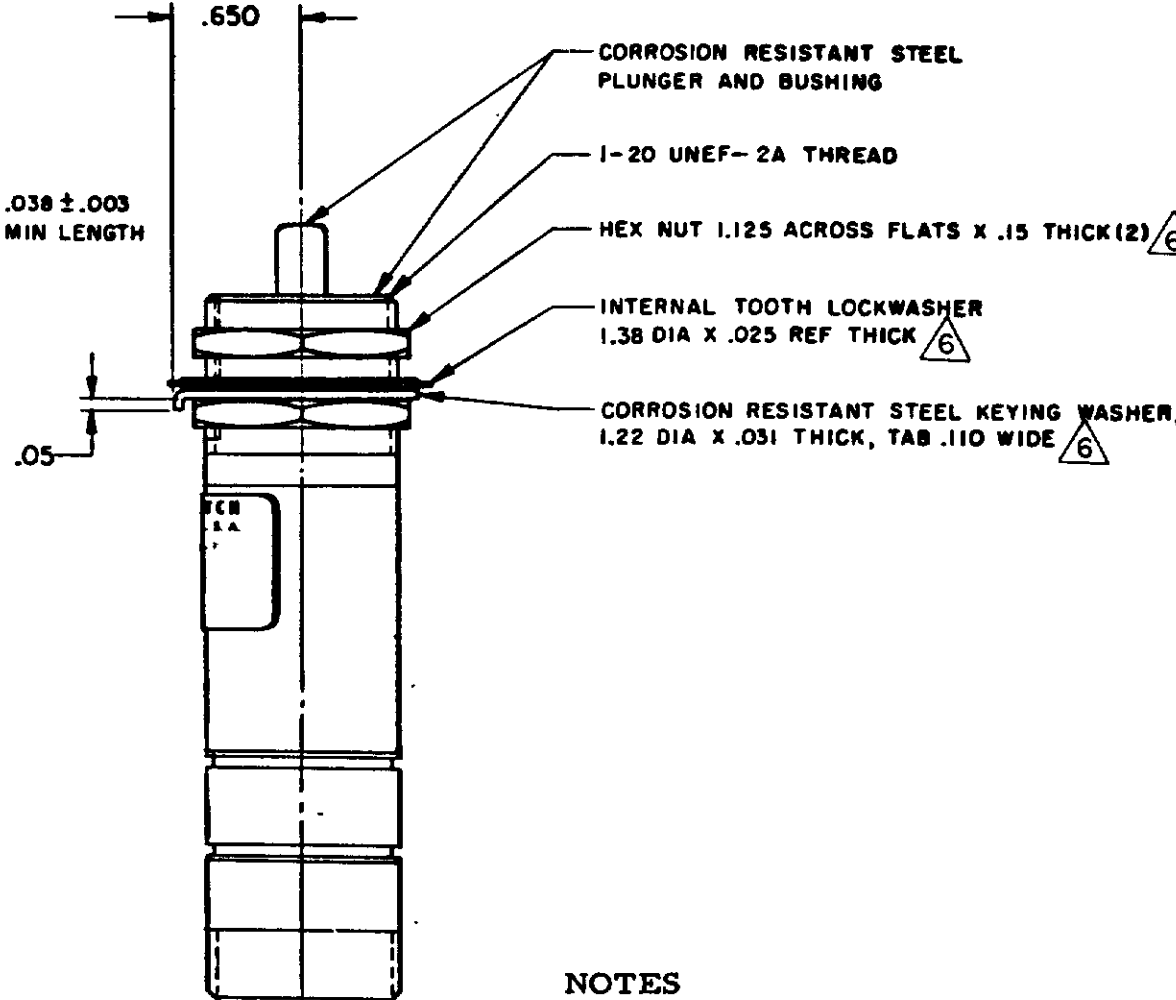
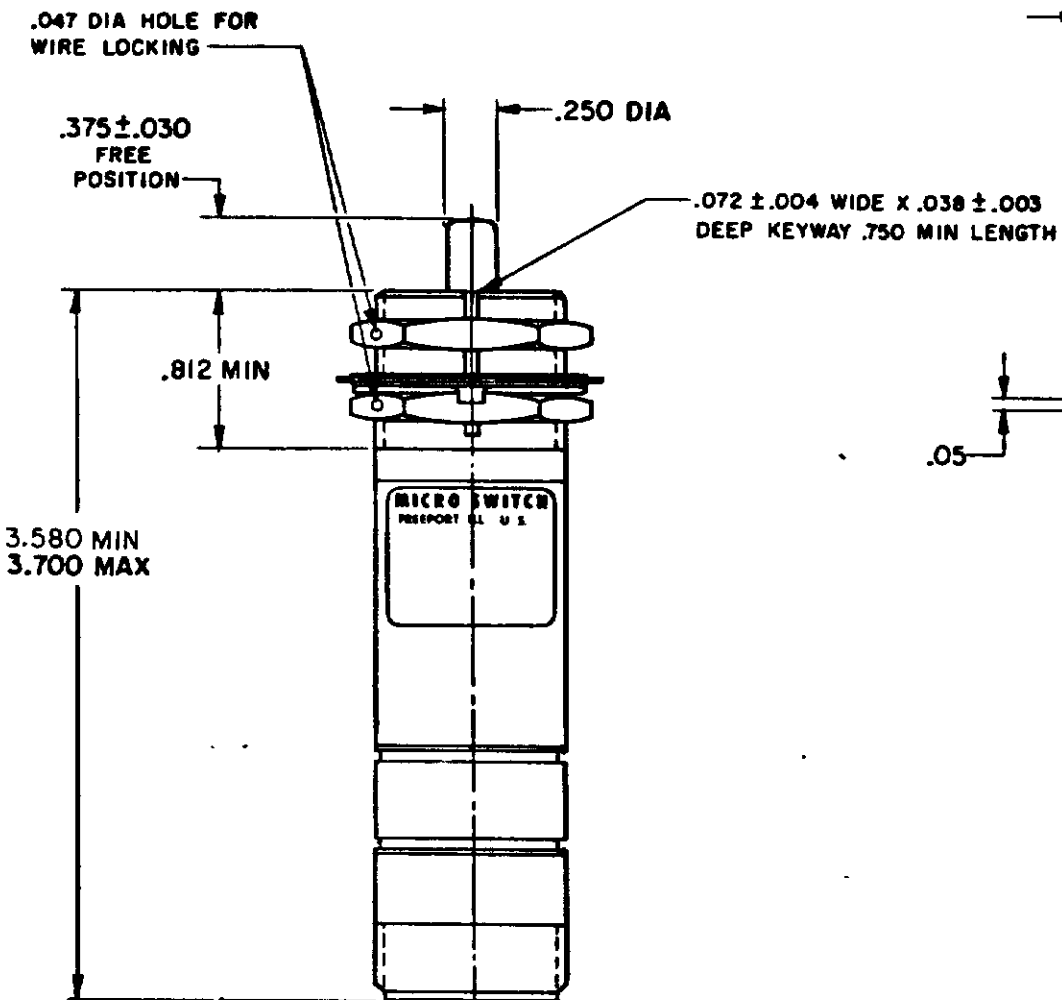
FED MFG CODE 91929

SWITCH-ENCLOSED

CATALOG LISTING
1EN75-R3
MILITARY STDS PART NO.
M8805/65-001



FURNISHED UNDER U.S. GOVERNMENT CONTRACT NO. _____
AND NO PORTION HEREOF SHALL BE RELEASED OUTSIDE THE GOVERNMENT (EXCEPT TO FOREIGN GOVERNMENTS SUBJECT TO THE SAME LIMITATIONS) NOR BE DISCLOSED, USED, OR DUPLICATED FOR PROCUREMENT OR MANUFACTURING PURPOSES EXCEPT AS OTHERWISE AUTHORIZED BY CONTRACT BETWEEN THE GOVERNMENT AND MICRO SWITCH, A DIVISION OF HONEYWELL INC WITHOUT THE PERMISSION OF THE LATTER THIS LEGEND SHALL BE MARKED ON ANY REPRODUCTION HEREOF IN WHOLE OR IN PART



NOTES

- 1 - ENCLOSURE FINISHED WITH GREEN EPOXY BASED ENAMEL COLOR NO. 34151 PER FEDERAL STANDARD 595
- 2 - SWITCH SEALED PER MIL-S-8805 SYMBOL 4
- 3 - CIRCUIT DIAGRAM, CATALOG LISTING AND MILITARY STANDARD NO. (M8805/65-001) ARE SHOWN ON NAMEPLATE
- 4 - SWITCH MEETS SHOCK LEVEL "H" PER MIL-S-8805/65
- 5 - COINCIDENCE OF OPERATING AND RELEASING POINTS: .010 INCH OF PLUNGER TRAVEL
- 6 - HARDWARE MAY BE PACKAGED UNASSEMBLED PER MIL-S-8805

M 1EN75-R3
 DRAWING NUMBER
 ISSUE
 REVISIONS
 A CO 44835
 T M M 30 MAR 78
 B CO47573
 J A P 5 AUG 80
 C CO54966
 KJS 1 MAY 84
 D CO-88547
 SAV 15 OCT 90
 E CO89161
 TSM 7 DEC 90
 F CO73874
 TSM 5 DEC 92
 FO-32881-A
 DRAWN
 T M M 30 OCT 78
 CHECK
 GLH 21 NOV 78
 CHECK
 GLH 21 NOV 78
 REPLACES
 RELEASE NO. SR-12101
 CHECK

| THIS DRAWING COVERS A PROPRIETARY ITEM AND IS THE PROPERTY OF MICRO SWITCH, A DIVISION OF HONEYWELL. THIS DRAWING IS NOT TO BE COPIED OR USED WITHOUT THE APPROVAL OF MICRO SWITCH | | THIRD ANGLE PROJECTION | SCALE FULL | | | | | | | | | | | | | | | | | | | | | | | | | | | | | | | | | | | | | | | |
|---|---------------------|--|-----------------|--------------|----|-----------------|-----------|-----|---------------|----------|-------|-----------|----------|-----------|---------------------|----------|---|------------|------------|--|-----------|-----------------|---------------------|--------------|-------|-------------|-------|--------------|--------|--|------|-----------|------------|-----|---|--|-----|---|--|-------|---|--|
| DO NOT SCALE PRINT | | TOLERANCES | | | | | | | | | | | | | | | | | | | | | | | | | | | | | | | | | | | | | | | | |
| APPLY TO DESIGN UNITS CONVERSIONS ARE ONLY FOR REFERENCE UNLESS NOTED TOLERANCES ARE 2 | | <table border="1"> <tr> <th>NO PLACES</th> <th>DI</th> <th>TOL</th> <th>DI</th> <th>TOL</th> </tr> <tr> <td></td> <td>mm</td> <td>mm/in</td> <td>in</td> <td>mm/in</td> </tr> <tr> <td>ONE PLACE</td> <td>X</td> <td>1/100</td> <td>X</td> <td>0.01/0.001</td> </tr> <tr> <td>TWO PLACES</td> <td>X,X</td> <td>0.4/0.018</td> <td>X,X</td> <td>0.007/0.0007</td> </tr> <tr> <td>THREE PLACES</td> <td>X,X,X</td> <td>0.15/0.008</td> <td>X,X,X</td> <td>0.002/0.0002</td> </tr> </table> | | NO PLACES | DI | TOL | DI | TOL | | mm | mm/in | in | mm/in | ONE PLACE | X | 1/100 | X | 0.01/0.001 | TWO PLACES | X,X | 0.4/0.018 | X,X | 0.007/0.0007 | THREE PLACES | X,X,X | 0.15/0.008 | X,X,X | 0.002/0.0002 | | | | | | | | | | | | | | |
| NO PLACES | DI | TOL | DI | TOL | | | | | | | | | | | | | | | | | | | | | | | | | | | | | | | | | | | | | | |
| | mm | mm/in | in | mm/in | | | | | | | | | | | | | | | | | | | | | | | | | | | | | | | | | | | | | | |
| ONE PLACE | X | 1/100 | X | 0.01/0.001 | | | | | | | | | | | | | | | | | | | | | | | | | | | | | | | | | | | | | | |
| TWO PLACES | X,X | 0.4/0.018 | X,X | 0.007/0.0007 | | | | | | | | | | | | | | | | | | | | | | | | | | | | | | | | | | | | | | |
| THREE PLACES | X,X,X | 0.15/0.008 | X,X,X | 0.002/0.0002 | | | | | | | | | | | | | | | | | | | | | | | | | | | | | | | | | | | | | | |
| DESIGN UNITS <input type="checkbox"/> METRIC <input checked="" type="checkbox"/> US CUSTOMARY | | RAW MATERIAL-COMMERCIAL STANDARD MICRO SWITCH STANDARDS APPLY | | | | | | | | | | | | | | | | | | | | | | | | | | | | | | | | | | | | | | | | |
| DIMENSIONS ARE TO BE MET BEFORE PROTECTIVE COATINGS ARE APPLIED | | WEIGHT 7.0 OZ MAX | | | | | | | | | | | | | | | | | | | | | | | | | | | | | | | | | | | | | | | | |
| <table border="1"> <tr> <th>CHARACTERISTICS</th> <th>OPERATING FORCE</th> <td>6-12 LB</td> </tr> <tr> <td></td> <td>FULL OVERTRAVEL</td> <td>30 LB MAX</td> </tr> <tr> <td></td> <td>RELEASE FORCE</td> <td>4 LB MIN</td> </tr> <tr> <td></td> <td>PRETRAVEL</td> <td>.040 MAX</td> </tr> <tr> <td></td> <td>DIFFERENTIAL TRAVEL</td> <td>.020 MAX</td> </tr> <tr> <td></td> <td>OVERTRAVEL</td> <td>.250 MIN</td> </tr> </table> | | CHARACTERISTICS | OPERATING FORCE | 6-12 LB | | FULL OVERTRAVEL | 30 LB MAX | | RELEASE FORCE | 4 LB MIN | | PRETRAVEL | .040 MAX | | DIFFERENTIAL TRAVEL | .020 MAX | | OVERTRAVEL | .250 MIN | <table border="1"> <tr> <th>ELECTRICAL DATA</th> <th colspan="2">CONTACT ARRANGEMENT</th> </tr> <tr> <td></td> <td colspan="2">S P D T (2)</td> </tr> <tr> <td></td> <td colspan="2">28 VDC</td> </tr> <tr> <td>LOAD</td> <td>SEA LEVEL</td> <td>50,000 FT.</td> </tr> <tr> <td>RES</td> <td>5</td> <td></td> </tr> <tr> <td>IND</td> <td>3</td> <td></td> </tr> <tr> <td>MOTOR</td> <td>4</td> <td></td> </tr> </table> | | ELECTRICAL DATA | CONTACT ARRANGEMENT | | | S P D T (2) | | | 28 VDC | | LOAD | SEA LEVEL | 50,000 FT. | RES | 5 | | IND | 3 | | MOTOR | 4 | |
| CHARACTERISTICS | OPERATING FORCE | 6-12 LB | | | | | | | | | | | | | | | | | | | | | | | | | | | | | | | | | | | | | | | | |
| | FULL OVERTRAVEL | 30 LB MAX | | | | | | | | | | | | | | | | | | | | | | | | | | | | | | | | | | | | | | | | |
| | RELEASE FORCE | 4 LB MIN | | | | | | | | | | | | | | | | | | | | | | | | | | | | | | | | | | | | | | | | |
| | PRETRAVEL | .040 MAX | | | | | | | | | | | | | | | | | | | | | | | | | | | | | | | | | | | | | | | | |
| | DIFFERENTIAL TRAVEL | .020 MAX | | | | | | | | | | | | | | | | | | | | | | | | | | | | | | | | | | | | | | | | |
| | OVERTRAVEL | .250 MIN | | | | | | | | | | | | | | | | | | | | | | | | | | | | | | | | | | | | | | | | |
| ELECTRICAL DATA | CONTACT ARRANGEMENT | | | | | | | | | | | | | | | | | | | | | | | | | | | | | | | | | | | | | | | | | |
| | S P D T (2) | | | | | | | | | | | | | | | | | | | | | | | | | | | | | | | | | | | | | | | | | |
| | 28 VDC | | | | | | | | | | | | | | | | | | | | | | | | | | | | | | | | | | | | | | | | | |
| LOAD | SEA LEVEL | 50,000 FT. | | | | | | | | | | | | | | | | | | | | | | | | | | | | | | | | | | | | | | | | |
| RES | 5 | | | | | | | | | | | | | | | | | | | | | | | | | | | | | | | | | | | | | | | | | |
| IND | 3 | | | | | | | | | | | | | | | | | | | | | | | | | | | | | | | | | | | | | | | | | |
| MOTOR | 4 | | | | | | | | | | | | | | | | | | | | | | | | | | | | | | | | | | | | | | | | | |



Компания «ЭлектроПласт» предлагает заключение долгосрочных отношений при поставках импортных электронных компонентов на взаимовыгодных условиях!

Наши преимущества:

- Оперативные поставки широкого спектра электронных компонентов отечественного и импортного производства напрямую от производителей и с крупнейших мировых складов;
- Поставка более 17-ти миллионов наименований электронных компонентов;
- Поставка сложных, дефицитных, либо снятых с производства позиций;
- Оперативные сроки поставки под заказ (от 5 рабочих дней);
- Экспресс доставка в любую точку России;
- Техническая поддержка проекта, помощь в подборе аналогов, поставка прототипов;
- Система менеджмента качества сертифицирована по Международному стандарту ISO 9001;
- Лицензия ФСБ на осуществление работ с использованием сведений, составляющих государственную тайну;
- Поставка специализированных компонентов (Xilinx, Altera, Analog Devices, Intersil, Interpoint, Microsemi, Aeroflex, Peregrine, Syfer, Eurofarad, Texas Instrument, Miteq, Cobham, E2V, MA-COM, Hittite, Mini-Circuits, General Dynamics и др.);

Помимо этого, одним из направлений компании «ЭлектроПласт» является направление «Источники питания». Мы предлагаем Вам помощь Конструкторского отдела:

- Подбор оптимального решения, техническое обоснование при выборе компонента;
- Подбор аналогов;
- Консультации по применению компонента;
- Поставка образцов и прототипов;
- Техническая поддержка проекта;
- Защита от снятия компонента с производства.



Как с нами связаться

Телефон: 8 (812) 309 58 32 (многоканальный)

Факс: 8 (812) 320-02-42

Электронная почта: org@eplast1.ru

Адрес: 198099, г. Санкт-Петербург, ул. Калинина, дом 2, корпус 4, литера А.