

# General Specifications

## B Electrical Capacity (Resistive Load)

**Power Level (silver):** 6A @ 125V AC & 3A @ 250V AC  
4A @ 30V DC for On-None-On; 3A @ 30V DC for all other circuits

**Logic Level (gold):** 0.4VA maximum @ 28V AC/DC maximum  
(Applicable Range 0.1mA ~ 0.1A @ 20mV ~ 28V)

**Logic/Power Level (gold over silver):** Combines silver & gold ratings  
Note: Find additional explanation of dual rating & operating range in Supplement section.

## Other Ratings

**Contact Resistance:** 10 milliohms maximum for silver; 20 milliohms maximum for gold

**Insulation Resistance:** 1,000 megohms minimum @ 500V DC

**Dielectric Strength:** 1,000V AC minimum between contacts for 1 minute minimum;  
1,500V AC minimum between contacts and case for 1 minute minimum

**Mechanical Life:** 50,000 operations minimum

**Electrical Life:** 25,000 operations minimum for silver; 50,000 operations minimum for gold;  
50,000 operations minimum for silver at 3A @ 125V AC

**Angle of Throw:** 25°

## Materials & Finishes

**Actuator Clip & Mounting Frame:** Stainless Steel

**Body Frame:** Stainless steel

**Case:** Diallyl phthalate resin (UL94V-0)

**Movable Contactor:** Phosphor bronze with silver or gold plating

**Movable Contacts:** Silver alloy (code W); copper with gold plating (code G); or silver alloy with gold plating (code A)

**Stationary Contacts:** Silver with silver plating (code W); copper or brass with gold plating (code G);  
or silver with gold plating (code A)

**Terminals:** Copper or brass with silver plating; or copper or brass with gold plating

## Environmental Data

**Operating Temp Range:** -30°C through +85°C (-22°F through +185°F)

**Humidity:** 90 ~ 95% humidity for 96 hours @ 40°C (104°F)

**Vibration:** 10 ~ 55Hz with peak-to-peak amplitude of 1.5mm traversing the frequency range & returning  
in 1 minute; 3 right angled directions for 2 hours

**Shock:** 50G (490m/s<sup>2</sup>) acceleration (tested in 6 right angled directions, with 5 shocks in each direction)

## Processing

**Soldering:** Wave Soldering (PC version) for Gold: See Profile A in Supplement section.

Manual Soldering for Gold: See Profile A in Supplement section.

Wave Soldering (PC version) for Silver: See Profile B in Supplement section.

Manual Soldering for Silver: See Profile B in Supplement section.

Note: Actuator must be in OFF (center) position while soldering.

**Cleaning:** These devices are not process sealed. Hand clean locally using alcohol based solution.

## Standards & Certifications

**Flammability Standards:** UL94V-0 for case

**UL:** File No. E44145 - Recognized only when ordered with marking on switch.

Add "/U" before first dash in part number to order UL recognized switch.

All models recognized at 6A @ 125V AC, 3A @ 250V AC or 0.4VA maximum @ 28V DC maximum.

**CSA:** File No. 023535\_0\_000 - Certified only when ordered with marking on switch.

Add "/C" before first dash in part number to order CSA certified switch.

All models certified at 6A @ 125V AC or 3A @ 250V AC or 0.4VA maximum @ 28V maximum.

# Distinctive Characteristics

Three methods of panel mounting: flat frame for flush with face or subpanel, snap-in, and PCB.

High insulating barriers increase isolation of circuits in multipole devices and provide added protection to contact points.

The molded diallyl phthalate case has a UL 94V-0 flammability rating.

Epoxy sealed terminals prevent entry of solder flux and other contaminants.

Prominent external insulating barriers increase insulation resistance and dielectric strength.

Bias guard prevents misalignment of contacts; interlocking of actuator block with rocker and internal guide does not allow transmission of diagonal force on rocker to reach contact mechanism.

Clinching of the frame to the case well above the base and terminals provides 1,500V dielectric strength.



Actual Size



Snap-in Mount

Page B64



Bracket PC Mount

Page B72



Flat Frame Mount

Page B83

- Toggle
- B** Rockers
- Pushbuttons
- Illuminated PB
- Programmable
- Keylocks
- Rotaries
- Slides
- Tactiles
- Tilt
- Touch
- Indicators
- Accessories
- Supplement

## TYPICAL SWITCH

## ORDERING EXAMPLE

**M20** — **1** — **3** — **TX** — **G**

| Poles |  |
|-------|--|
| 1     | SPDT   |
| 2     | DPDT<br>SP3T   |
| 3     | 3PDT (used only with terminal codes 30 & 41 & frame code TX)   |
| 4     | 4PDT<br>DP3T (used only with terminal code 41 & frame code TX) |

| Mounting Frames |                                 |
|-----------------|---------------------------------|
| TX              | Narrow Frame for Small Actuator |
| TZ              | Wide Frame for Large Actuator   |

| Circuits |      |      |      |
|----------|------|------|------|
| 2        | ON   | NONE | ON   |
| 3        | ON   | OFF  | ON   |
| 5        | ON   | NONE | (ON) |
| 8        | (ON) | OFF  | (ON) |
| 9        | ON   | OFF  | (ON) |
| *4       | ON   | ON   | ON   |
| *6       | (ON) | ON   | (ON) |
| *7       | ON   | ON   | (ON) |

( ) = Momentary  
\* 3-ON circuits

| Contact Materials & Ratings |  |
|-----------------------------|--|
| W                           | Silver; Rated 6A @ 125V AC & 3A @ 250V AC                        |
| G                           | Gold; Rated 0.4VA max @ 28V AC/DC max                            |
| A                           | Gold over Silver; Rated 6A @ 125V AC & 0.4VA max @ 28V AC/DC max |

**41** — **D** — **C**

| Terminals For TX & TZ Frames                        |   |
|---|---|
| Straight PC with Bracket (1-2 Pole only)            |   |
| 13  | .250" (6.35mm) Straight PC with .465" (11.8mm) Bracket  |
| 15  | .425" (10.8mm) Straight PC with .630" (16.0mm) Bracket  |
| 17  | .964" (24.5mm) Straight PC with 1.150" (29.2mm) Bracket |
| Straight PC with Reinforced Bracket (1-2 Pole only) |   |
| 23  | .250" (6.35mm) Straight PC with .465" (11.8mm) Bracket  |
| 25  | .425" (10.8mm) Straight PC with .630" (16.0mm) Bracket  |
| 26  | .750" (19.05mm) Straight PC with .953" (24.2mm) Bracket |
| Terminals For TX Frame Only                         |   |
| Right Angle PC with Support (1-3 Pole only)         |   |
| 30  | .150" (3.81mm) Right Angle PC                           |
| Vertical PC with Support (1-4 Pole)                 |   |
| 41  | .150" (3.81mm) Vertical PC                              |

| Rockers & Paddles          |                             |
|----------------------------|-----------------------------|
| Small Actuators (TX Frame) |                             |
| D                          | .365" (9.27mm) Wide Rocker  |
| E                          | .365" (9.27mm) Wide Paddle  |
| F                          | .450" (11.43mm) Wide Rocker |
| G                          | .450" (11.43mm) Wide Paddle |
| Large Actuators (TZ Frame) |                             |
| J                          | .595" (15.11mm) Wide Rocker |
| H                          | .595" (15.11mm) Wide Paddle |

| Rocker & Paddle Colors |        |
|------------------------|--------|
| A                      | Black  |
| B                      | White  |
| C                      | Red    |
| E                      | Yellow |
| F                      | Green  |
| G                      | Blue   |
| H                      | Gray   |

**IMPORTANT:**  
Switches are supplied without UL & CSA marking unless specified. **UL & CSA recognized only when ordered with marking on the switch.** Specific models, ratings, & ordering instructions are noted on General Specifications page.

### DESCRIPTION FOR TYPICAL ORDERING EXAMPLE

**M2013TXG41-DC**



### DESCRIPTION FOR TYPICAL ORDERING EXAMPLE

**M2022TZG23-JC**



## POLES & CIRCUITS

| Pole | Model                                       | Rocker Position<br>( ) = Momentary |                                   |                                  | Connected Terminals  |        |                      | Throw & Schematics  |
|------|---|------------------------------------|-----------------------------------|----------------------------------|----------------------|--------|----------------------|---|
|      |   | Down                               | Center                            | Up                               | Down                 | Center | Up                   |   |
| SP   | M2012<br>M2013<br>*M2015<br>M2018<br>*M2019 | ON<br>ON<br>ON<br>(ON)<br>ON       | NONE<br>OFF<br>NONE<br>OFF<br>OFF | ON<br>ON<br>(ON)<br>(ON)<br>(ON) | 2-3                  | OPEN   | 2-1                  | Note: Terminal numbers are not actually on the switch.<br>* Reverse circuits available for vertical mount SP & DP upon request.<br><br>SPDT<br> |
| DP   | M2022<br>M2023<br>*M2025<br>M2028<br>*M2029 | ON<br>ON<br>ON<br>(ON)<br>ON       | NONE<br>OFF<br>NONE<br>OFF<br>OFF | ON<br>ON<br>(ON)<br>(ON)<br>(ON) | 2-3 5-6              | OPEN   | 2-1 5-4              | DPDT<br>  |
| 3P   | M2022<br>M2023<br>*M2025<br>M2028<br>*M2029 | ON<br>ON<br>ON<br>(ON)<br>ON       | NONE<br>OFF<br>NONE<br>OFF<br>OFF | ON<br>ON<br>(ON)<br>(ON)<br>(ON) | 2-3 5-6<br>8-9       | OPEN   | 2-1 5-4<br>8-7       | 3PDT<br>  |
| 4P   | M2042<br>M2043<br>*M2045<br>M2048<br>*M2049 | ON<br>ON<br>ON<br>(ON)<br>ON       | NONE<br>OFF<br>NONE<br>OFF<br>OFF | ON<br>ON<br>(ON)<br>(ON)<br>(ON) | 2-3 5-6<br>8-9 11-12 | OPEN   | 2-1 5-4<br>8-7 11-10 | 4PDT<br>  |

For 3 Throw (3-On)

### Connected Terminals & Schematics

| Pole | Model                   | Down             | Center         | Up                 | Down                     | Center                   | Up                       |
|------|-------------------------|------------------|----------------|--------------------|--------------------------|--------------------------|--------------------------|
| SP   | M2024<br>M2026<br>M2027 | ON<br>(ON)<br>ON | ON<br>ON<br>ON | ON<br>(ON)<br>(ON) | <br>2-3 5-6              | <br>2-3 5-4              | <br>2-1 5-4              |
| DP   | M2044<br>M2046<br>M2047 | ON<br>(ON)<br>ON | ON<br>ON<br>ON | ON<br>(ON)<br>(ON) | <br>2-3 5-6<br>8-9 11-12 | <br>2-3 5-4<br>8-9 11-10 | <br>2-1 5-4<br>8-7 11-10 |

The SP3T model utilizes a double pole base.



External connection must be made during field installation.

The DP3T model utilizes a four pole base.



External connection must be made during field installation.

MOUNTING FRAMES

**TX** Narrow Mounting Frame for Small Actuators with Straight PC Terminals (codes 13, 15, 17, 23, 25, & 26) or with Angle PC Terminals (codes 30 & 41)

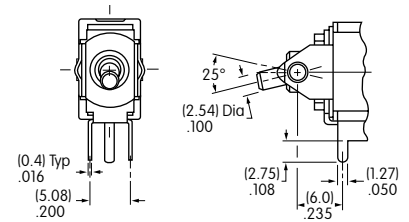
Straight PC Mounting



Right Angle PC Mounting



Vertical PC Mounting



Small Actuators & Panel Cutouts for TX Frame (actuator details on the following pages)

AT4148

AT4149

AT4150

AT4151



**TZ** Wide Mounting Frame for Large Actuators with Straight PC Terminals (codes 13, 15, 17, 23, 25, & 26)

Large Actuators & Panel Cutouts for TZ Frame (actuator details on the following pages)

AT4156

AT4157



CONTACT MATERIALS & RATINGS

**W** Silver over Silver Power Level 6A @ 125V AC & 3A @ 250V AC

**G** Gold over Brass or Copper Logic Level 0.4VA maximum @ 28V AC/DC maximum

Note: See Supplement section to find complete explanation of operating range.

**A** Gold over Silver Power Level or Logic Level 6A @ 125V AC or 0.4VA maximum @ 28V AC/DC maximum

Note: This dual rated option is suitable when two or more identical switches are used in logic and in power circuits within the same application. See Supplement section to find complete explanation of dual rating and operating range.

Toggles  
Rockers  
Pushbuttons  
Illuminated PB  
Programmable  
Keylocks  
Rotaries  
Slides  
Tactiles  
Tilt  
Touch  
Indicators  
Accessories  
Supplement

Toggles

Rockers **B**

Pushbuttons

Programmable Illuminated PB

Keylocks

Rotaries

Slides

Tactiles

Tilt

Touch

Indicators

Accessories

Supplement

## TERMINALS

For TX and TZ 1-2 Pole  
Straight PC Mount with Bracket

For TX and TZ 1-2 Pole  
Straight PC Mount with Reinforced Bracket

**13**

.250" (6.35mm)  
Terminal with  
.465" (11.8mm)  
Bracket

**15**

.425" (10.8mm)  
Terminal with  
.630" (16.0mm)  
Bracket

**17**

.964" (24.5mm)  
Terminal with  
1.150" (29.2mm)  
Bracket

**23**

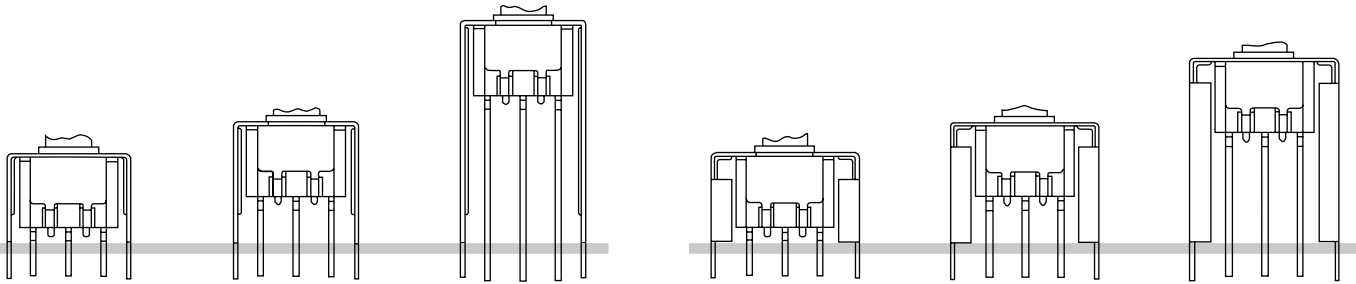
.250" (6.35mm)  
Terminal with  
.465" (11.8mm)  
Bracket

**25**

.425" (10.8mm)  
Terminal with  
.630" (16.0mm)  
Bracket

**26**

.750" (19.05mm)  
Terminal with  
.953" (24.2mm)  
Bracket



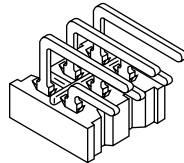
PCB footprints are on the following Typical Switch Dimension pages.

For TX 1-3 Pole Right Angle PC Mount

For TX 1-4 Pole Vertical PC Mount

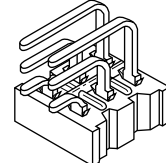
**30**

.150" (3.81mm)  
Right Angle PC



**41**

.150" (3.81mm)  
Vertical PC

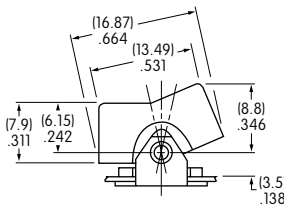


## ROCKERS & PADDLES FOR TX MOUNTING FRAMES

**D**

AT4148 .365" (9.27mm)  
Wide Rocker

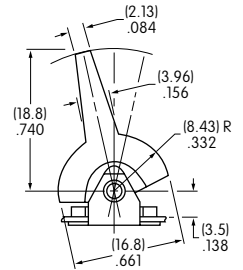
Material: Polyamide  
Finish: Matte



**E**

AT4149 .365" (9.27mm)  
Wide Paddle

Material: Polyamide  
Finish: Matte



**F**

AT4150 .450" (11.43mm)  
Wide Rocker

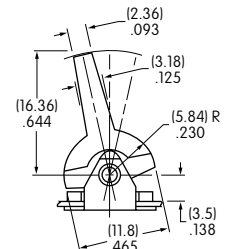
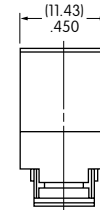
Material: Polyamide  
Finish: Matte



**G**

AT4151 .450" (11.43mm)  
Wide Paddle

Material: Polyamide  
Finish: Matte



Cap Colors  
Available:

**A**

Black

**B**

White

**C**

Red

**E**

Yellow

**F**

Green

**G**

Blue

**H**

Gray

ROCKERS & PADDLES FOR TZ MOUNTING FRAMES

**J** AT4156 .595" (15.11mm)  
Wide Rocker

Material: Polyamide  
Finish: Matte



**H** AT4157 .595" (15.11mm)  
Wide Paddle

Material: Polyamide  
Finish: Matte



Cap Colors Available:

- A** Black
- B** White
- C** Red
- E** Yellow
- F** Green
- G** Blue
- H** Gray

OPTIONAL SNAP-IN PANEL FRAMES

Used with AT4148 Rocker and AT4149 Paddle

**AT064-1**

Accommodates .047" ~ .090"  
(1.2 ~ 2.3mm) panel thickness

Material: Polyamide  
Finish: Matte  
Color: Black

Mounted separately from switches

Cutout Tolerances:

Dimension A:  
.797" ~ .803" (20.24 ~ 20.4mm)

Dimension B:  
.495" ~ .505" (12.57 ~ 12.83mm)



**AT064-2**

Accommodates .062" ~ .125"  
(1.57 ~ 3.18mm) panel thickness



AT064-1 Enlarged Detail

Used with AT4150 Rocker and AT4151 Paddle

**AT065-1**

Accommodates .047" ~ .090"  
(1.2 ~ 2.3mm) panel thickness

Material: Polyamide  
Finish: Matte  
Color: Black

Mounted separately from switches

Cutout Tolerances:

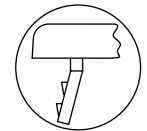
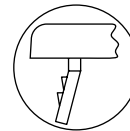
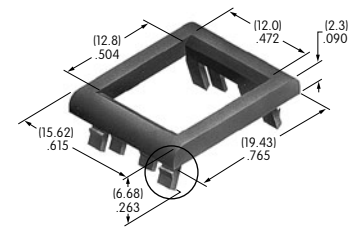
Dimension A:  
.595" ~ .605" (15.11 ~ 15.37mm)

Dimension B:  
.495" ~ .500" (12.57 ~ 12.7mm)



**AT065-2**

Accommodates .062" ~ .125"  
(1.57 ~ 3.18mm) panel thickness

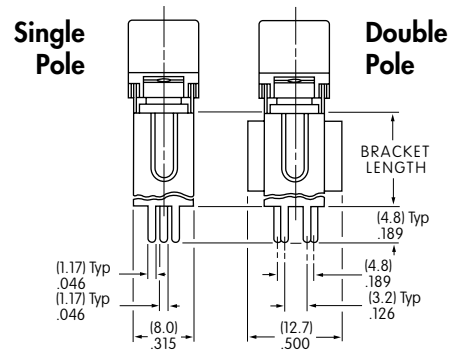
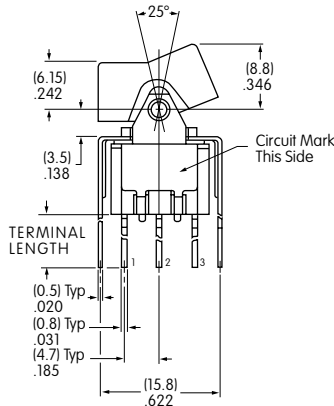


AT065-1 Enlarged Detail

AT065-2 Enlarged Detail

## TYPICAL SWITCH DIMENSIONS

### Straight PC • Bracket



**M2012TXG13-DC**

| Terminal Code: | Terminal Length: | Bracket Length: |
|----------------|------------------|-----------------|
| <b>13</b>      | .250" (6.35mm)   | .465" (11.8mm)  |
| <b>15</b>      | .425" (10.8mm)   | .630" (16.0mm)  |
| <b>17</b>      | .964" (24.5mm)   | 1.150" (29.2mm) |



### Straight PC • Reinforced Bracket



**M2012TXG23-DC**

| Terminal Code: | Terminal Length: | Bracket Length: |
|----------------|------------------|-----------------|
| <b>23</b>      | .250" (6.35mm)   | .465" (11.8mm)  |
| <b>25</b>      | .425" (10.8mm)   | .630" (16.0mm)  |
| <b>26</b>      | .750" (19.05mm)  | .953" (24.2mm)  |

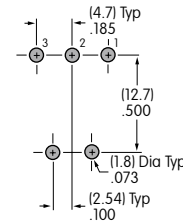




## TYPICAL SWITCH DIMENSIONS

### Single Pole

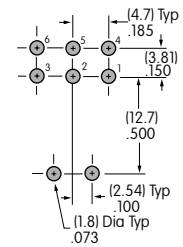
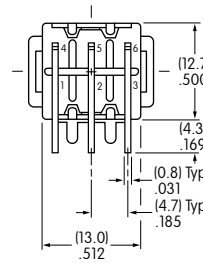
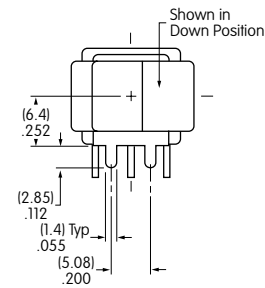
### .150" (3.81 mm) Right Angle PC



M2012TXG30-DC

### Double Pole

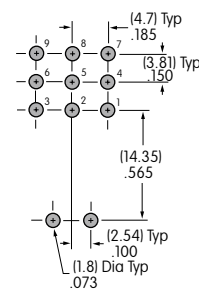
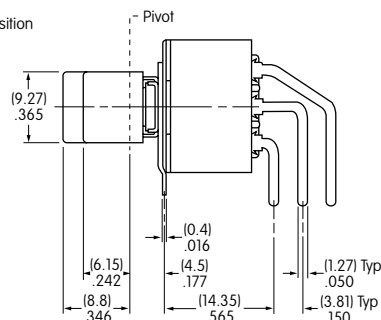
### .150" (3.81 mm) Right Angle PC



M2022TXG30-DC

### Three Pole

### .150" (3.81 mm) Right Angle PC



M2032TXG30-DC

## TYPICAL SWITCH DIMENSIONS

### .150" (3.81mm) Vertical PC

### Single Pole



M2012TXG41-DC

### .150" (3.81mm) Vertical PC

### Double Pole



M2022TXG41-DC

### .150" (3.81mm) Vertical PC

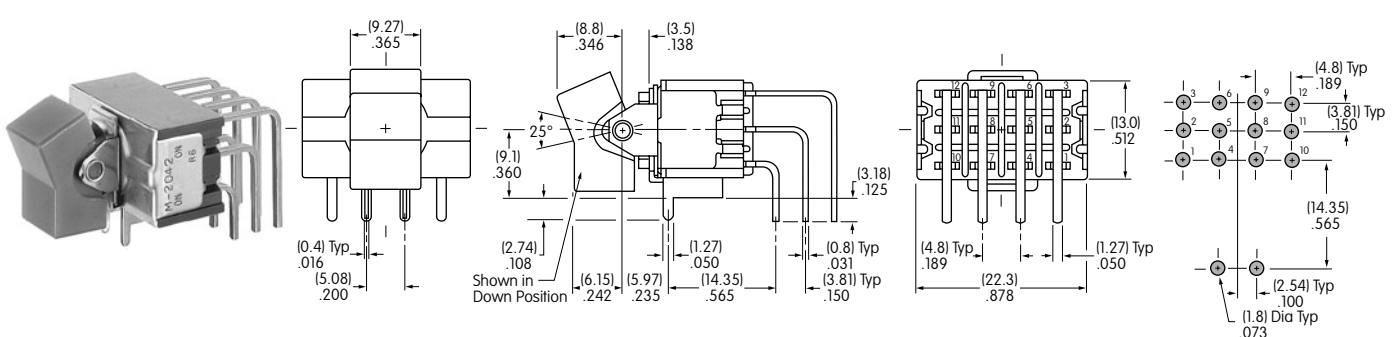
### Three Pole



M2032TXG41-DC

### .150" (3.81mm) Vertical PC

### Four Pole



M2042TXG41-DC

Toggles

Rockers **B**

Pushbuttons

Illuminated PB

Programmable

Keylocks

Rotaries

Slides

Tactiles

Tilt

Touch

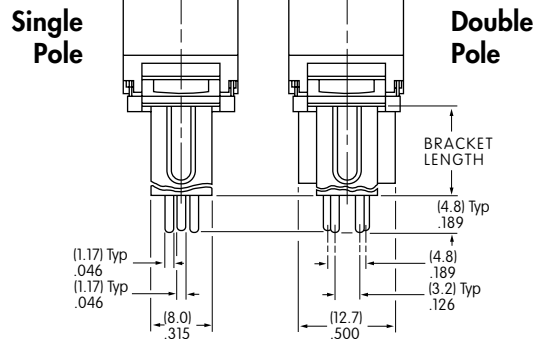
Indicators

Accessories

Supplement

## TYPICAL SWITCH DIMENSIONS

### Straight PC • Bracket

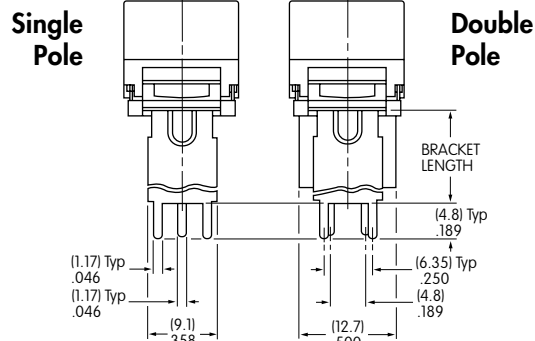
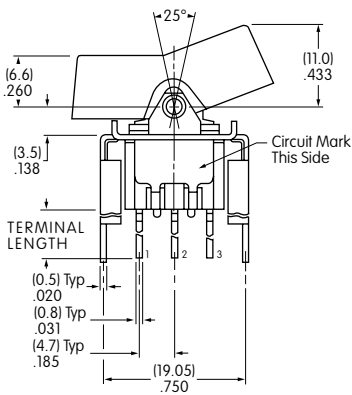


**M2012TZG13-JC**

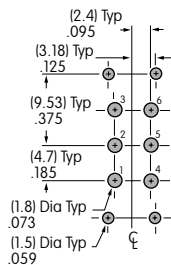
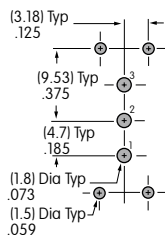


| Terminal Code: | Terminal Length: | Bracket Length: |
|----------------|------------------|-----------------|
| <b>13</b>      | .250" (6.35mm)   | .465" (11.8mm)  |
| <b>15</b>      | .425" (10.8mm)   | .630" (16.0mm)  |
| <b>17</b>      | .964" (24.5mm)   | 1.150" (29.2mm) |

### Straight PC • Reinforced Bracket



**M2012TZG23-JC**



| Terminal Code: | Terminal Length: | Bracket Length: |
|----------------|------------------|-----------------|
| <b>23</b>      | .250" (6.35mm)   | .465" (11.8mm)  |
| <b>25</b>      | .425" (10.8mm)   | .630" (16.0mm)  |
| <b>26</b>      | .750" (19.05mm)  | .953" (24.2mm)  |

### LEGENDS

NKK Switches can provide custom legends for caps. Contact factory for more information.

#### Suggested Printable Area for Cap

AT4148



AT4150



AT4156



Shaded areas are printable areas.

#### Recommended Print Method:

Pad Print

Epoxy based ink is recommended.



Компания «ЭлектроПласт» предлагает заключение долгосрочных отношений при поставках импортных электронных компонентов на взаимовыгодных условиях!

Наши преимущества:

- Оперативные поставки широкого спектра электронных компонентов отечественного и импортного производства напрямую от производителей и с крупнейших мировых складов;
- Поставка более 17-ти миллионов наименований электронных компонентов;
- Поставка сложных, дефицитных, либо снятых с производства позиций;
- Оперативные сроки поставки под заказ (от 5 рабочих дней);
- Экспресс доставка в любую точку России;
- Техническая поддержка проекта, помощь в подборе аналогов, поставка прототипов;
- Система менеджмента качества сертифицирована по Международному стандарту ISO 9001;
- Лицензия ФСБ на осуществление работ с использованием сведений, составляющих государственную тайну;
- Поставка специализированных компонентов (Xilinx, Altera, Analog Devices, Intersil, Interpoint, Microsemi, Aeroflex, Peregrine, Syfer, Eurofarad, Texas Instrument, Miteq, Cobham, E2V, MA-COM, Hittite, Mini-Circuits, General Dynamics и др.);

Помимо этого, одним из направлений компании «ЭлектроПласт» является направление «Источники питания». Мы предлагаем Вам помощь Конструкторского отдела:

- Подбор оптимального решения, техническое обоснование при выборе компонента;
- Подбор аналогов;
- Консультации по применению компонента;
- Поставка образцов и прототипов;
- Техническая поддержка проекта;
- Защита от снятия компонента с производства.



#### Как с нами связаться

**Телефон:** 8 (812) 309 58 32 (многоканальный)

**Факс:** 8 (812) 320-02-42

**Электронная почта:** [org@eplast1.ru](mailto:org@eplast1.ru)

**Адрес:** 198099, г. Санкт-Петербург, ул. Калинина, дом 2, корпус 4, литера А.