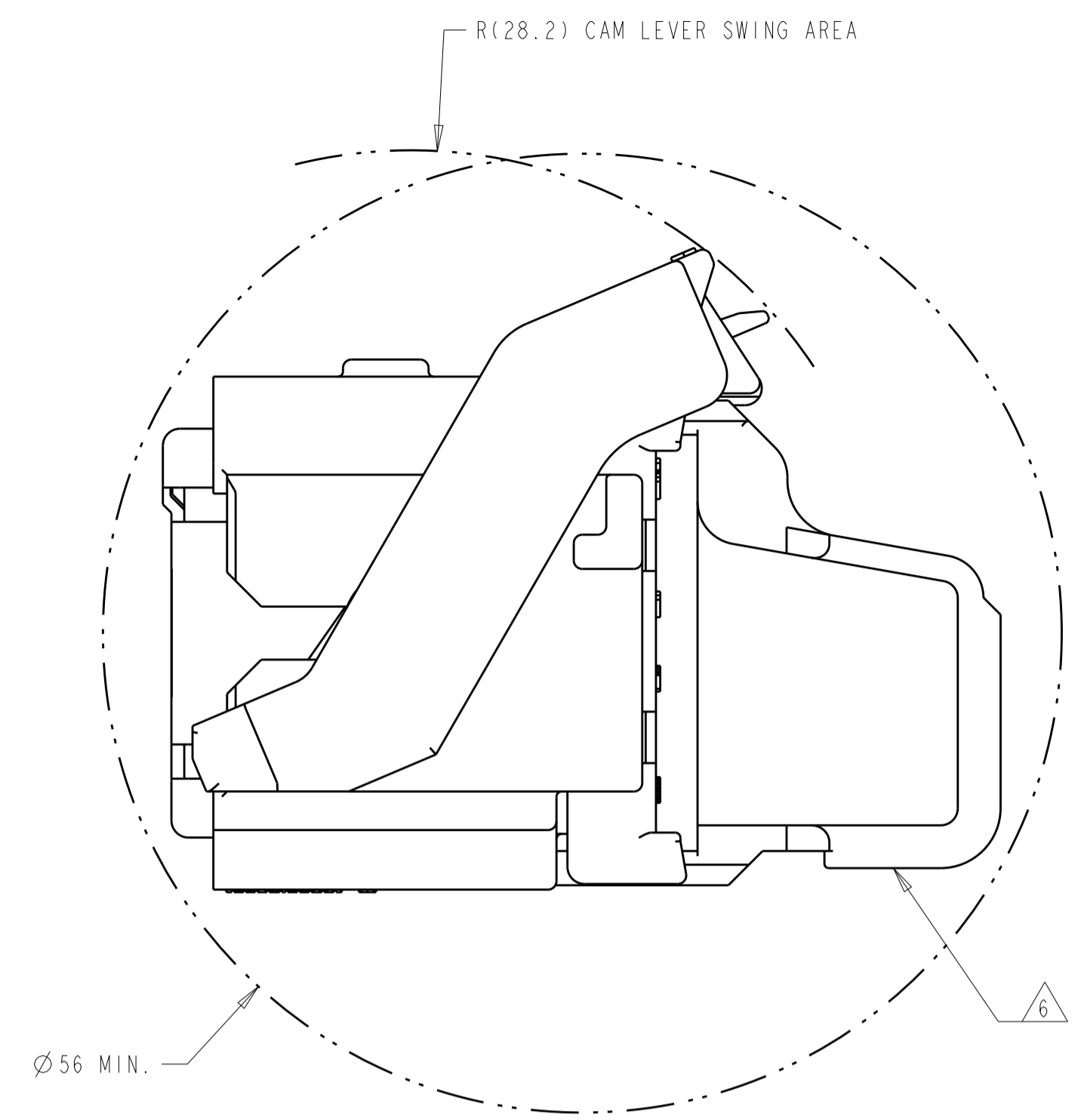
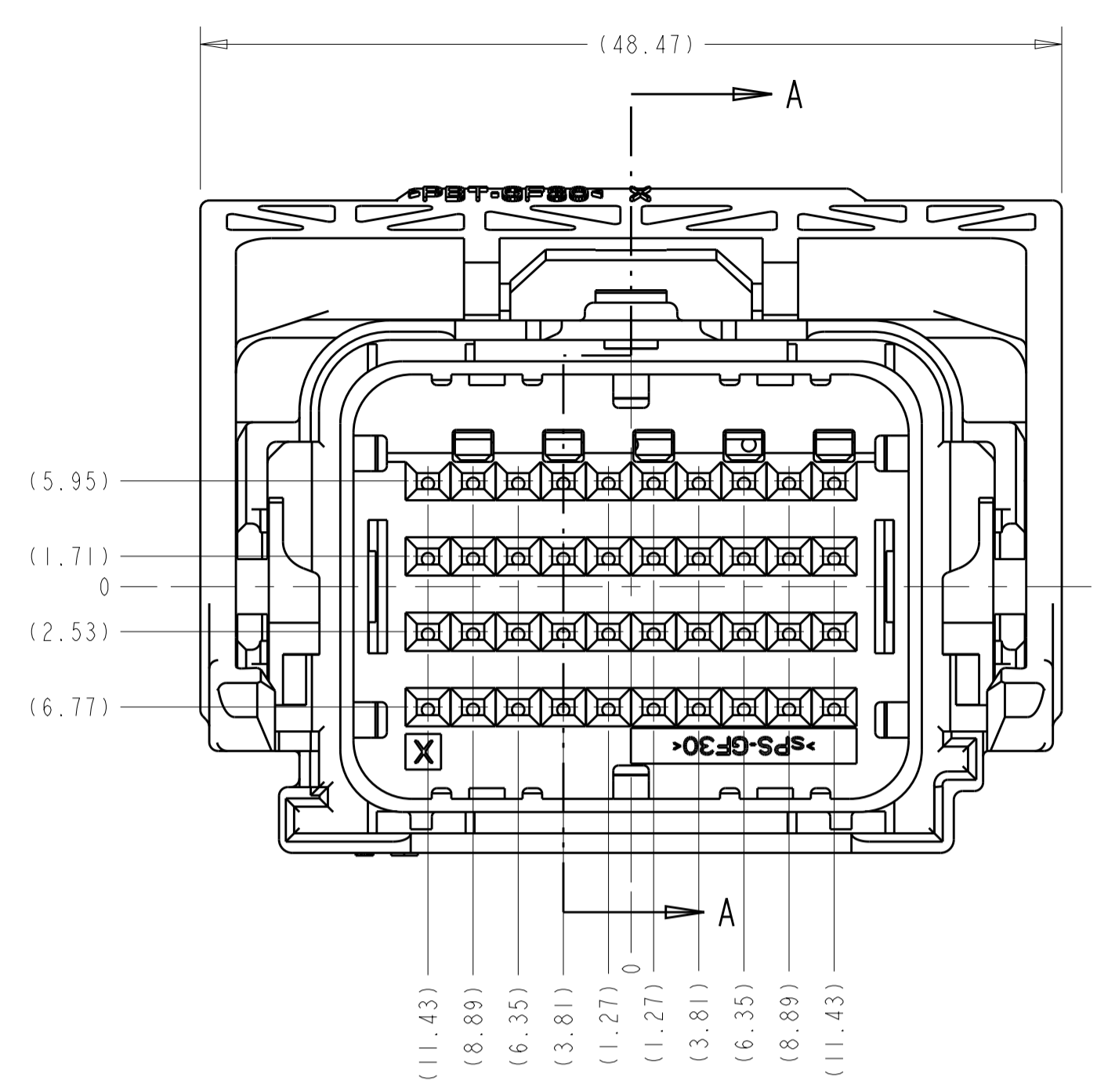
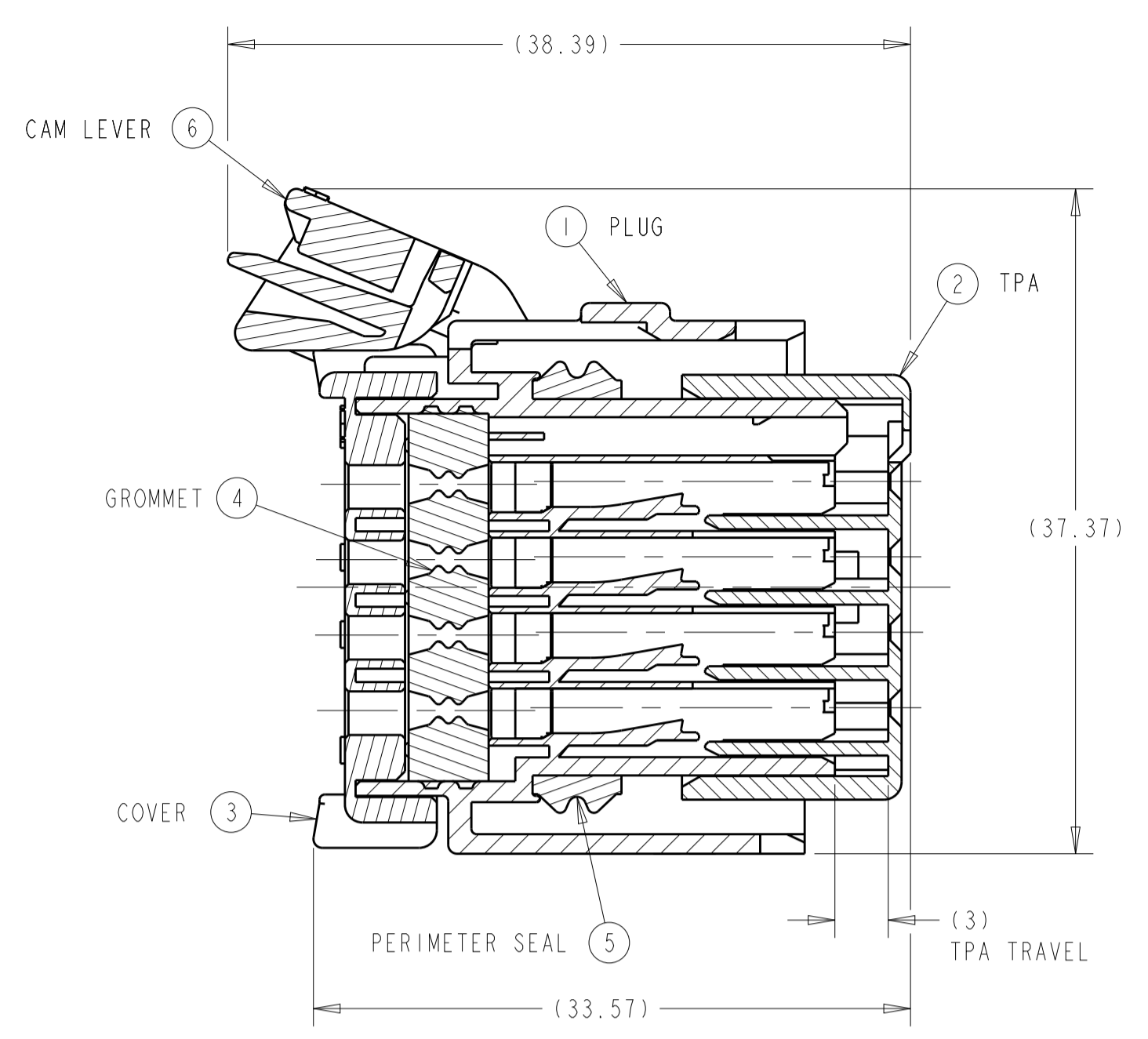
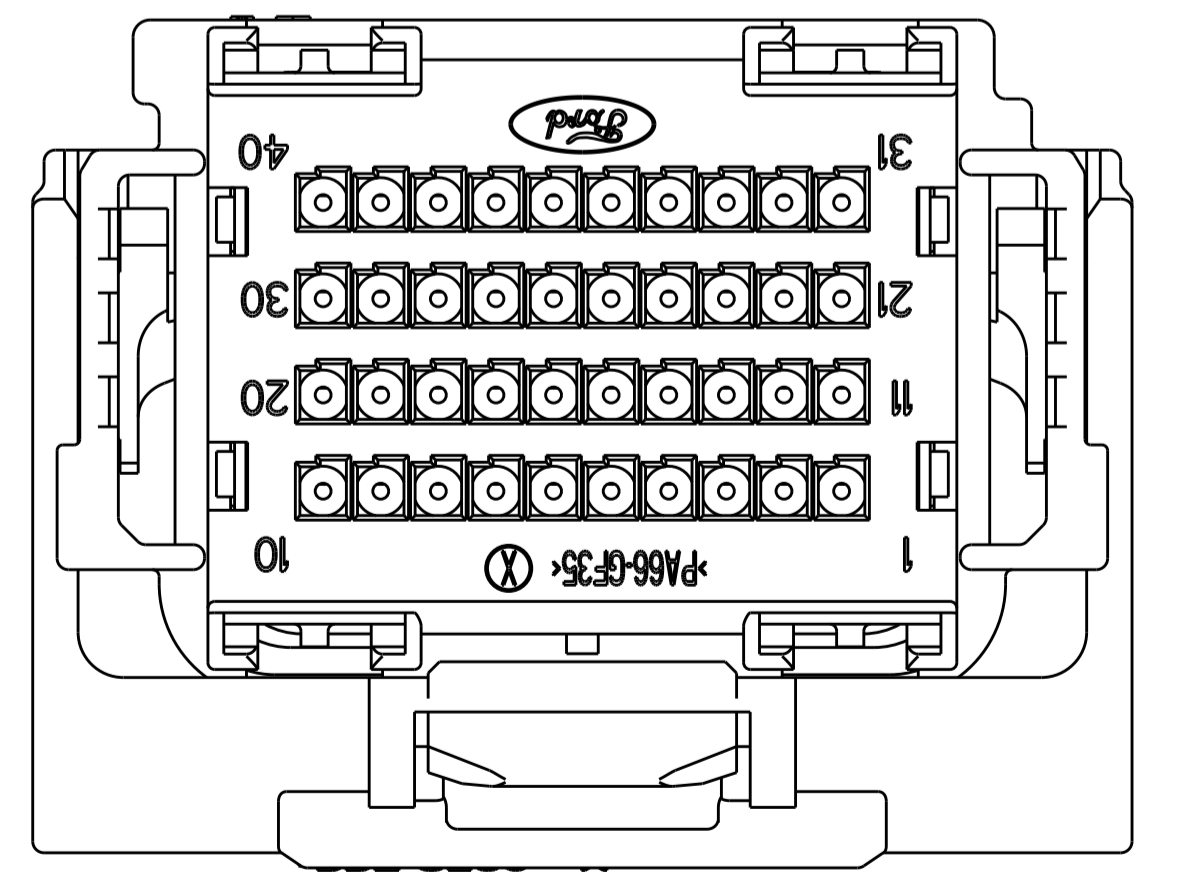
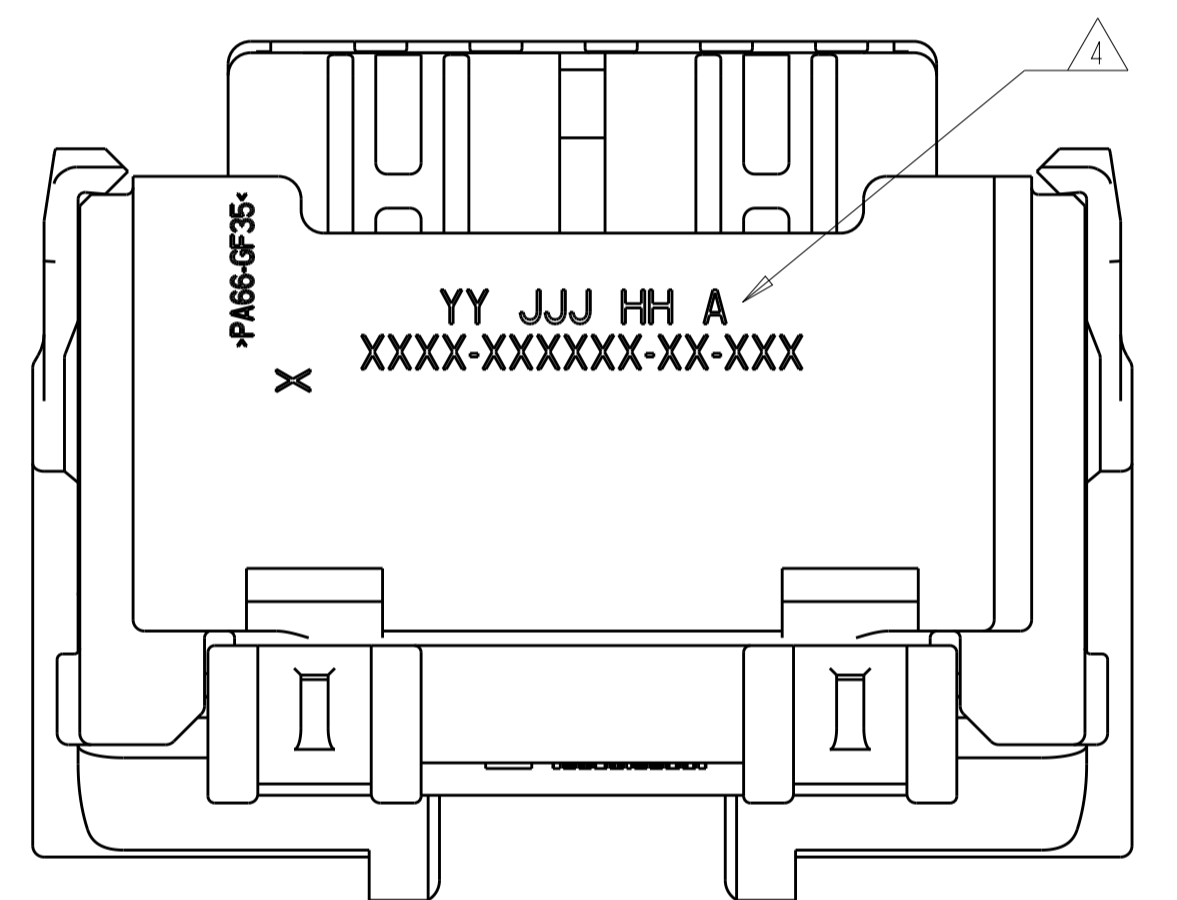
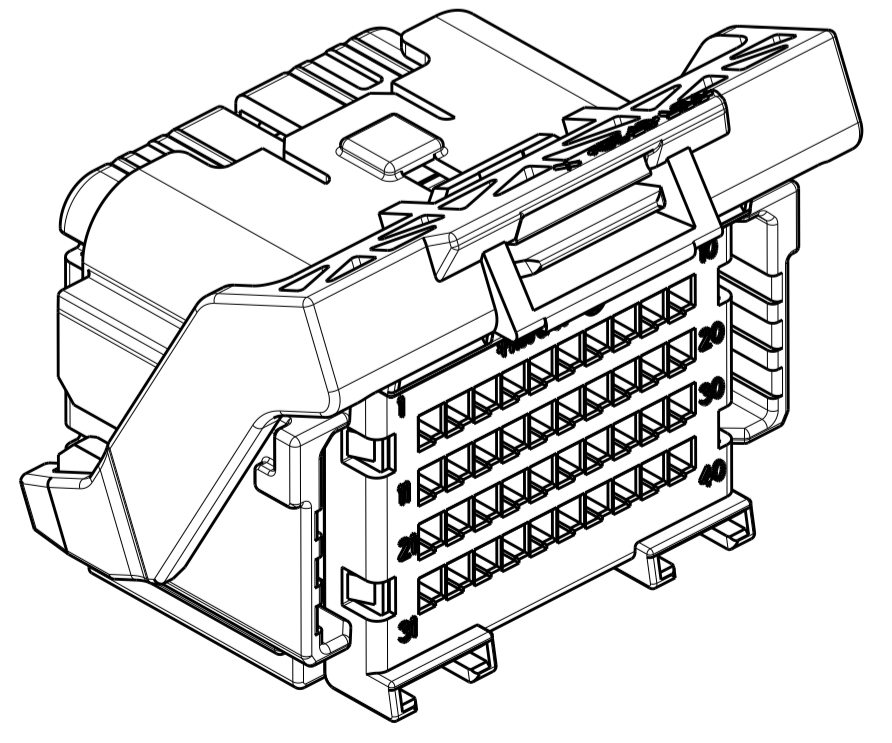
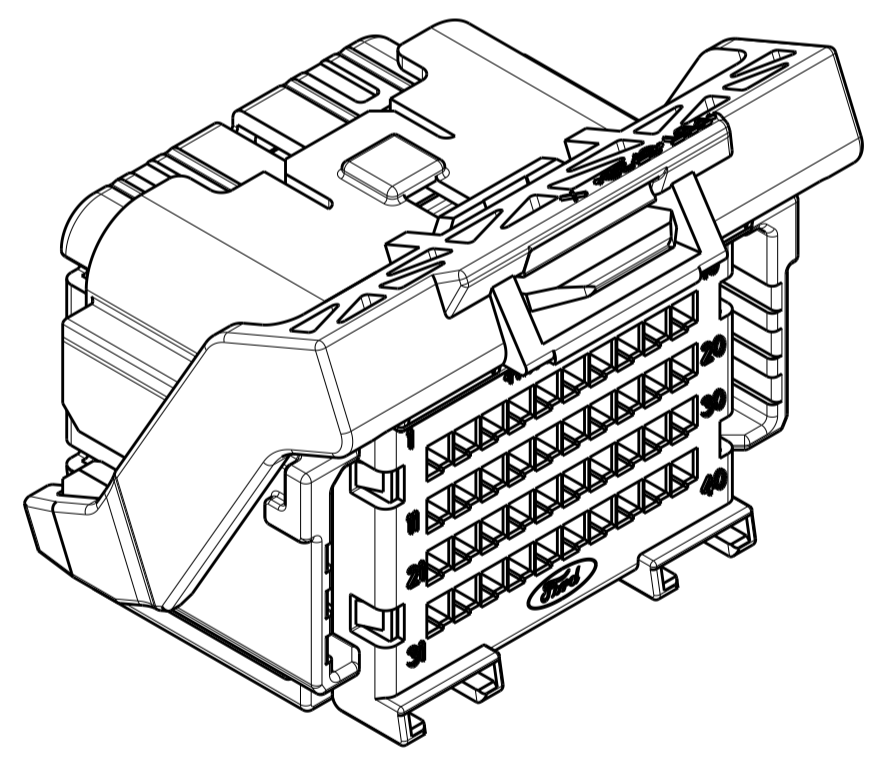
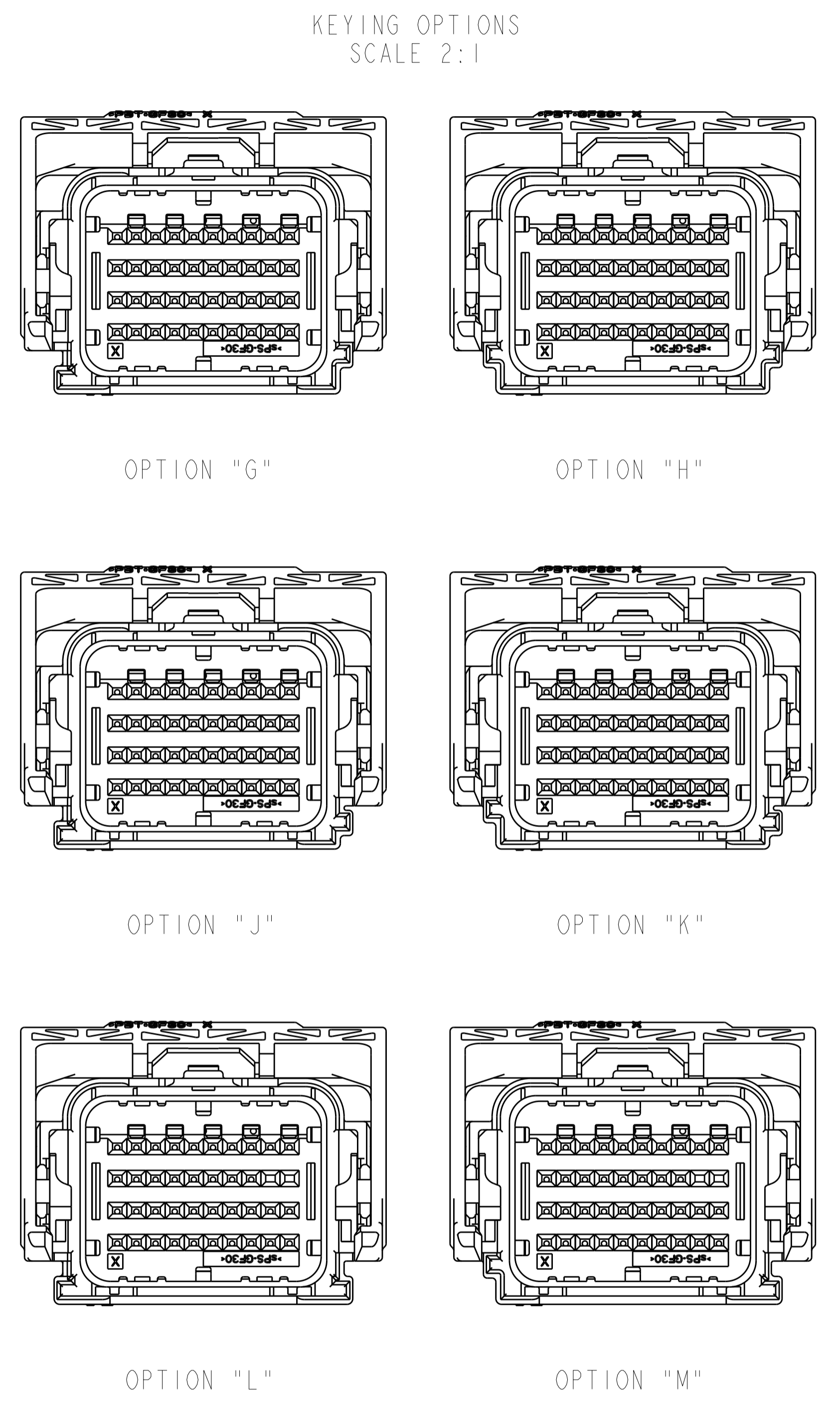


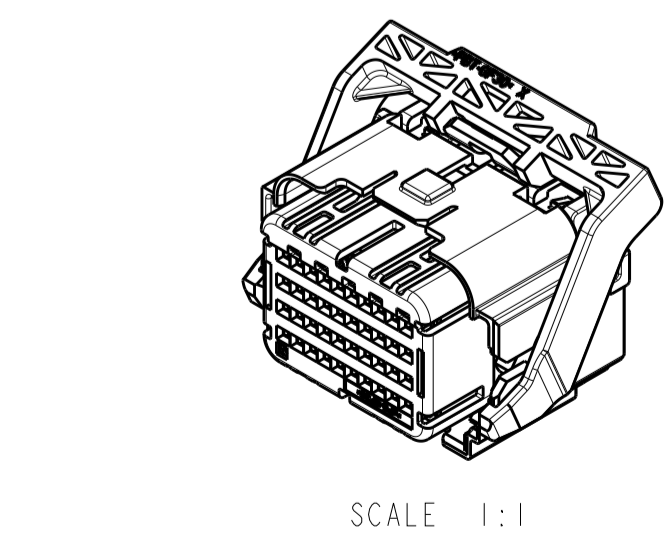
REVISIONS				
P.	LTN	DESCRIPTION	DATE	OWN APVD
CE		REVISED PER ECO-15-012629	01SEP2015	DLD WTW



MINIMUM FEED THROUGH CONDITION
WITH 1mm CLEARANCE ALL AROUND
SHOWN WITH OPTION WIRESHIELD
TPA IS IN IT'S LOADED POSITION
CAM LEVER IS IN IT'S PRE-LOADED POSITION



- APPLICABLE TERMINAL PART NUMBERS (SOLD SEPARATELY):
FOR TIN APPLICATIONS: 1393367 AND 1393366.
FOR GOLD APPLICATIONS: 1393365 AND 1393364.
FOR TERMINATION AND REELING OPTIONS
SEE DRAWINGS 1393367, 1393366, 1393365, AND 1393364.
- COMPATIBLE WIRE SIZES FOR MAT SEAL DESIGN 1.19 TO 2.06 O.D.
(22-18 AWG, 0.35-0.75 mm²)
- TPA AND CAM LEVER ARE SHIPPED IN THEIR PRE-LOADED POSITION.
ALL ASSEMBLIES ARE TO BE TRAY PACKAGED.
- CUSTOMER PART NUMBER AND TRACEABILITY CODE (YY = TWO DIGIT YEAR,
JJJ = JULIAN DAY, HH = TWO DIGIT MILITARY HOUR, A = ASSEMBLY PROCESS
USED) ARE PRINTED IN THIS LOCATION.
- PART ASSEMBLY WEIGHT WITHOUT TERMINALS AND WITH STANDARD PIN-OUT
CONFIGURATION IS 24.71 GRAMS.
- OPTIONAL WIRESHIELD P/N 8-1419157-8 (SOLD SEPARATELY). PLEASE CONTACT
YOUR TE SALES REPRESENTATIVE FOR AVAILABILITY AND PRICING.



KEYING OPTION "G" SHOWN
SEE SHEET 2 FOR BILL OF
MATERIAL AND PIN-OUT CHARTS

THIS DRAWING IS A CONTROLLED DOCUMENT.		OWN: M. FORLSKA 19APR2002	TE Connectivity NAME: 40 WAY ARM, PLUG ASSEMBLY WITHOUT SHORTING BARS, CUSTOMER SPEC.
DIMENSIONS: mm		CHK: M. FORLSKA 19APR2002	
TOLERANCES UNLESS OTHERWISE SPECIFIED:		APVD: A. VALASEK 19APR2002	PRODUCT SPEC
0 PLC ±		APPLICATION SPEC	SIZE: CAGE CODE DRAWING NO. RESTRICTED TO
1 PLC ±0.3		WEIGHT: SEE NOTE 5	A1 00779 C=8-1419157-7
2 PLC ±0.10		CUSTOMER DRAWING	SCALE: 3:1 SHEET 1 OF 5 REV: CE
3 PLC ±			
4 PLC ±			
ANGLES ±			
FINISH ±			

REVISIONS				
P.	LTN	DESCRIPTION	DATE	OWN APVD
-	-	SEE SHEET 1	-	-

ASSEMBLY PART NUMBERS										ITEM	DESCRIPTION	MATERIAL	FINISH/COLOR	
											6	CAM LEVER	PBT 30% GF	GRAY
											6	CAM LEVER WITH MODIFIED TAB	PA66 35% GF	GRAY
											6	CAM LEVER WITH MODIFIED TAB	PBT 30% GF	GRAY
											5	PERIMETER SEAL	SILICONE	GREEN
											4	GROMMET	SILICONE	BROWN
											3	COVER	PA66 35% GF	BLACK
											2	TPA FOR NON-SHORTING BAR APPLICATIONS	sPS 30% GF	NATURAL
											2	TPA FOR NON-SHORTING BAR APPLICATIONS	sPS 30% GF	RED
											1	PLUG WITH KEYING OPTION "K" AND 5 SHORTING BAR POSITIONS CONFIGURATION	PA66 35% GF	BLACK
											1	PLUG WITH KEYING OPTION "L" AND 5 SHORTING BAR POSITIONS CONFIGURATION	PA66 35% GF	BLACK
											1	PLUG WITH KEYING OPTION "J" AND 5 SHORTING BAR POSITIONS CONFIGURATION	PA66 35% GF	BLACK
											1	PLUG WITH KEYING OPTION "H" AND 5 SHORTING BAR POSITIONS CONFIGURATION	PA66 35% GF	BLACK
											1	PLUG WITH KEYING OPTION "G" AND 5 SHORTING BAR POSITIONS CONFIGURATION	PA66 35% GF	BLACK

ASSEMBLY PART NUMBERS										ITEM	DESCRIPTION	MATERIAL	FINISH/COLOR	
											6	CAM LEVER	PBT 30% GF	GRAY
											6	CAM LEVER WITH MODIFIED TAB	PA66 35% GF	GRAY
											6	CAM LEVER WITH MODIFIED TAB	PBT 30% GF	GRAY
											5	PERIMETER SEAL	SILICONE	GREEN
											4	GROMMET	SILICONE	BROWN
											3	COVER	PA66 35% GF	BLACK
											2	TPA FOR NON-SHORTING BAR APPLICATIONS	sPS 30% GF	NATURAL
											2	TPA FOR NON-SHORTING BAR APPLICATIONS	sPS 30% GF	RED
											1	PLUG WITH KEYING OPTION "K" AND 5 SHORTING BAR POSITIONS CONFIGURATION	PA66 35% GF	BLACK
											1	PLUG WITH KEYING OPTION "L" AND 5 SHORTING BAR POSITIONS CONFIGURATION	PA66 35% GF	BLACK
											1	PLUG WITH KEYING OPTION "J" AND 5 SHORTING BAR POSITIONS CONFIGURATION	PA66 35% GF	BLACK
											1	PLUG WITH KEYING OPTION "H" AND 5 SHORTING BAR POSITIONS CONFIGURATION	PA66 35% GF	BLACK
											1	PLUG WITH KEYING OPTION "G" AND 5 SHORTING BAR POSITIONS CONFIGURATION	PA66 35% GF	BLACK

ASSEMBLY PART NUMBERS										ITEM	DESCRIPTION	MATERIAL	FINISH/COLOR	
											6	CAM LEVER	PBT 30% GF	GRAY
											6	CAM LEVER WITH MODIFIED TAB	PA66 35% GF	GRAY
											6	CAM LEVER WITH MODIFIED TAB	PBT 30% GF	GRAY
											5	PERIMETER SEAL	SILICONE	GREEN
											4	GROMMET	SILICONE	BROWN
											3	COVER	PA66 35% GF	BLACK
											2	TPA FOR NON-SHORTING BAR APPLICATIONS	sPS 30% GF	NATURAL
											2	TPA FOR NON-SHORTING BAR APPLICATIONS	sPS 30% GF	RED
											1	PLUG WITH KEYING OPTION "K" AND 5 SHORTING BAR POSITIONS CONFIGURATION	PA66 35% GF	BLACK
											1	PLUG WITH KEYING OPTION "L" AND 5 SHORTING BAR POSITIONS CONFIGURATION	PA66 35% GF	BLACK
											1	PLUG WITH KEYING OPTION "J" AND 5 SHORTING BAR POSITIONS CONFIGURATION	PA66 35% GF	BLACK
											1	PLUG WITH KEYING OPTION "H" AND 5 SHORTING BAR POSITIONS CONFIGURATION	PA66 35% GF	BLACK
											1	PLUG WITH KEYING OPTION "G" AND 5 SHORTING BAR POSITIONS CONFIGURATION	PA66 35% GF	BLACK

THIS DRAWING IS A CONTROLLED DOCUMENT. DIMENSIONS: mm. TOLERANCES UNLESS OTHERWISE SPECIFIED: 0 PLC ±0.3, 1 PLC ±0.10, 2 PLC ±0.10, 3 PLC ±0.10, 4 PLC ±0.10, 5 PLC ±0.10, 6 PLC ±0.10, 7 PLC ±0.10, 8 PLC ±0.10, 9 PLC ±0.10, 10 PLC ±0.10. MATERIAL: SEE CHART ON SHEET 2. FINISH: -.

OWN: M. FORLSKA, 19APR2002. CHK: M. FORLSKA, 19APR2002. APVD: A. VALASEK, 19APR2002. NAME: 40 WAY ARM, PLUG ASSEMBLY WITHOUT SHORTING BARS, CUSTOMER SPEC. SIZE: A1, CAGE CODE: 00779, DRAWING NO: 8-1419157-7, RESTRICTED TO: -.

SCALE: 3:1, SHEET: 2 OF 5, REV: CE.

TE Connectivity logo.

PIN-OUT CHART table with columns for terminal positions (1-40) and rows for various part numbers (e.g., 4-1438099-4, 4-1438099-3, etc.) and their corresponding keying options (KEY "J", KEY "H", KEY "L", KEY "G").

PIN-OUT CHART table for part number 2098034-1, showing terminal positions (1-40) and keying options (KEY "H", KEY "L", KEY "J").

TERMINAL HOLE POSITION, CAVITIES WITH A NUMERIC SYMBOL INDICATE CLOSED TERMINAL HOLE POSITIONS, BLANK CAVITIES INDICATE OPEN TERMINAL HOLE POSITIONS

Technical drawing footer containing dimensions, tolerances, material, and customer drawing information. Includes a drawing of a terminal hole and a table with dimensions in mm and tolerances for different hole types (0 PLC, 1 PLC, 2 PLC, 3 PLC, 4 PLC, ANGLES).

THIS DRAWING IS UNPUBLISHED. RELEASED FOR PUBLICATION 20
 © COPYRIGHT 20 BY - ALL RIGHTS RESERVED.

REVISIONS				
P.	LTN	DESCRIPTION	DATE	APVD
-		SEE SHEET 1	-	-

PIN-OUT CHART

TERMINAL HOLE POSITION	ASSEMBLY PART NUMBER	PLUG KEYING OPTION
26 27 28	5-1924513-1	KEY "J"
26 27	5-1924513-0	KEY "J"
28	4-1924513-9	KEY "J"
33 34		
33 34		
33	2138987-2	KEY "G"
35 36 37 38 39	2138987-1	KEY "G"
1 2 3 4 5 6 7 8 9 10 11 12 13 14 15 16 17 18 19 20 21 22 23 24 25 26 27 28 29 30 31 32 33 34 35 36 37 38 39 40		

CAVITIES WITH A NUMERIC SYMBOL INDICATE CLOSED TERMINAL HOLE POSITIONS
 BLANK CAVITIES INDICATE OPEN TERMINAL HOLE POSITIONS

THIS DRAWING IS A CONTROLLED DOCUMENT.		DWN M. FORLSKA 19APR2002 CHK M. FORLSKA 19APR2002 APVD A. VALASEK 19APR2002	STE TE Connectivity NAME 40 WAY ARM, PLUG ASSEMBLY WITHOUT SHORTING BARS, CUSTOMER SPEC.
DIMENSIONS: mm 	TOLERANCES UNLESS OTHERWISE SPECIFIED: 0 PLC ± 1 PLC ±0.3 2 PLC ±0.10 3 PLC ± 4 PLC ± ANGLES ±3° FINISH -	PRODUCT SPEC APPLICATION SPEC WEIGHT - CUSTOMER DRAWING	SIZE A1 CAGE CODE 00779 DRAWING NO. C=8-1419157-7 RESTRICTED TO - SCALE 3:1 SHEET 5 OF 5 REV CE



Компания «ЭлектроПласт» предлагает заключение долгосрочных отношений при поставках импортных электронных компонентов на взаимовыгодных условиях!

Наши преимущества:

- Оперативные поставки широкого спектра электронных компонентов отечественного и импортного производства напрямую от производителей и с крупнейших мировых складов;
- Поставка более 17-ти миллионов наименований электронных компонентов;
- Поставка сложных, дефицитных, либо снятых с производства позиций;
- Оперативные сроки поставки под заказ (от 5 рабочих дней);
- Экспресс доставка в любую точку России;
- Техническая поддержка проекта, помощь в подборе аналогов, поставка прототипов;
- Система менеджмента качества сертифицирована по Международному стандарту ISO 9001;
- Лицензия ФСБ на осуществление работ с использованием сведений, составляющих государственную тайну;
- Поставка специализированных компонентов (Xilinx, Altera, Analog Devices, Intersil, Interpoint, Microsemi, Aeroflex, Peregrine, Syfer, Eurofarad, Texas Instrument, Miteq, Cobham, E2V, MA-COM, Hittite, Mini-Circuits, General Dynamics и др.);

Помимо этого, одним из направлений компании «ЭлектроПласт» является направление «Источники питания». Мы предлагаем Вам помощь Конструкторского отдела:

- Подбор оптимального решения, техническое обоснование при выборе компонента;
- Подбор аналогов;
- Консультации по применению компонента;
- Поставка образцов и прототипов;
- Техническая поддержка проекта;
- Защита от снятия компонента с производства.



Как с нами связаться

Телефон: 8 (812) 309 58 32 (многоканальный)

Факс: 8 (812) 320-02-42

Электронная почта: org@eplast1.ru

Адрес: 198099, г. Санкт-Петербург, ул. Калинина, дом 2, корпус 4, литера А.