

NOTES
Bemerkungen

CONTACT AREA PRE SILVER MIN. 3µm
CANTILEVER SPRING PLAIN
Kontaktzone vorversilbert min. 3µm
Ueberfederer blank

CONTACT BODY NI-PLATING MIN. 0.5µm; CONTACT AREA PRE-GOLD MIN. 0.6µm
OVER NICKEL; CRIMP AREA PRE-TIN
CANTILEVER SPRING PLAIN
Kontaktkoerper vernickelt min. 0.5µm; Kontaktzone vorvergoldet min. 0.6µm ueber Nickel
Crimpzone vorverzinkt; Ueberfederer blank

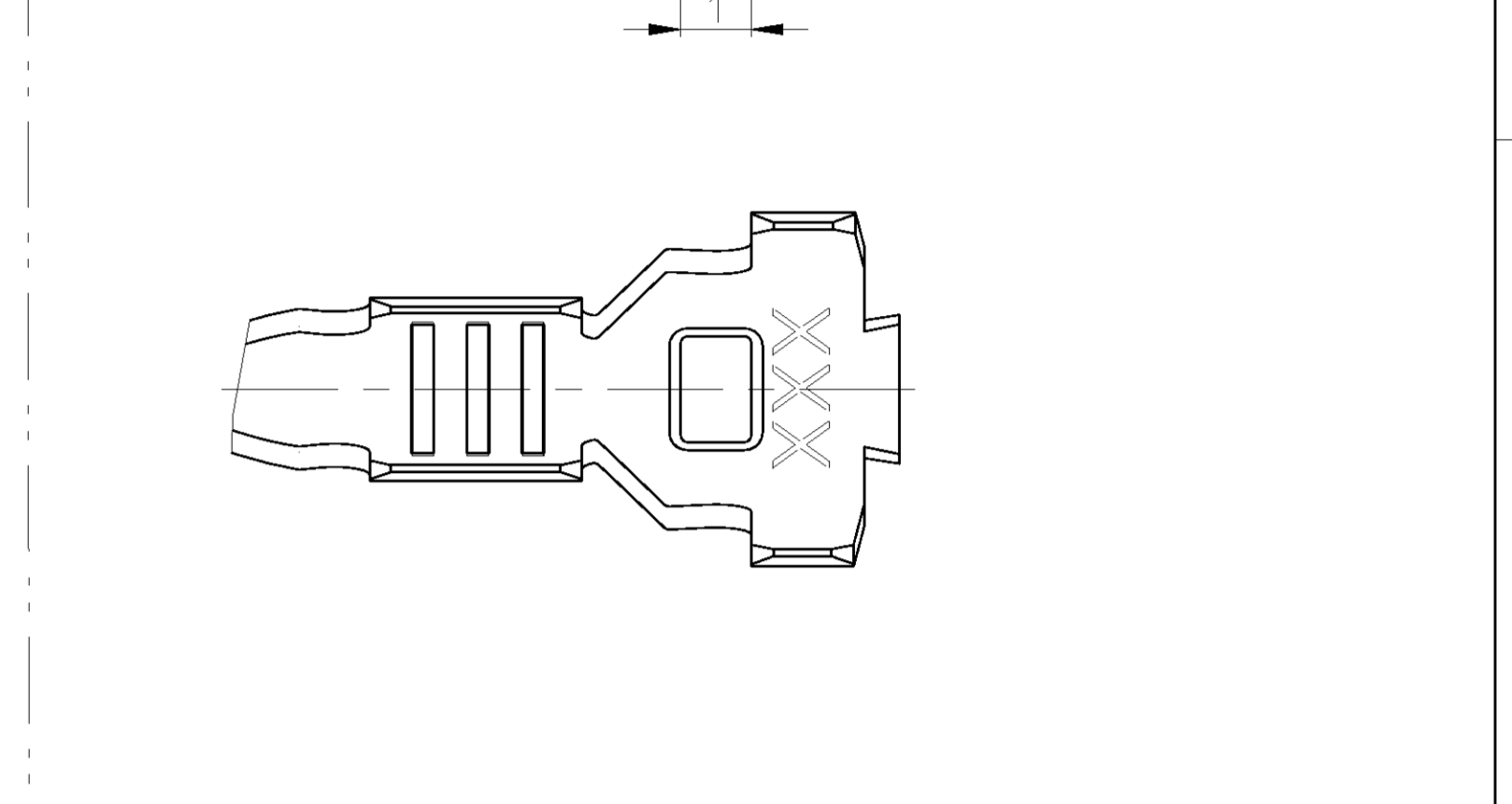
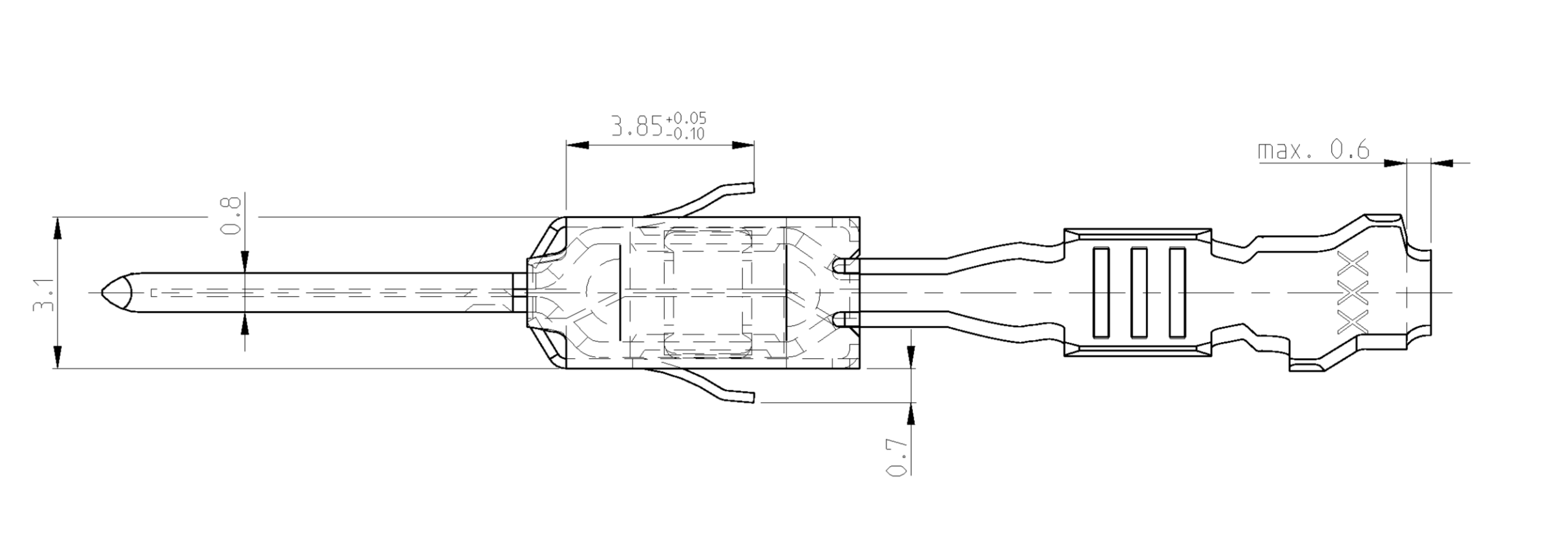
IN THIS AREA CRACK SHAPING AT THE SURFACE PERMISSIBLE
In diesem Bereich Rissbildung in der Oberflaeche zulassig

PRE-TIN MIN. 1µm; CANTILEVER SPRING PLAIN
vorverzinkt min. 1µm; Ueberfederer blank

AWG 12 TXL 828905-1 DR / oder 282536-1
AWG 12 GXL 638865-1

ATTENTION! CONSTRUCTION OF THE CONTACT CAVITY IN THE AREA OF THE SINGLE WIRE SEAL IS $\phi 6.4^{+0.1}_{-0.05}$
Achtung! Die Kammer ist im Bereich der Einzeldichtung auf $\phi 6.4^{+0.1}_{-0.05}$ auszuliegen

PUNCHED WITH VOLATILIZING STAMPING-OIL
Gestanz mit verfluechtigendem Stanzoeel



SINGLE WIRE SEAL / Einzeldichtungssystem	TE ORDER-NO. STRIPFORM Bandware	REV	DESIGN Ausfuhrung	MATERIAL Werkstoff	SURFACE Oberflaeche	DGB mm²	INSULATION Isolationsø	SEE / siehe SECTION A-A Schnitt A-A	SEE / siehe SECTION B-B Schnitt B-B	SEE / siehe WIRE CRIMP Drahtcrimp	SEE / siehe SECTION A-A Schnitt A-A	SEE / siehe SECTION B-B Schnitt B-B	AWG	max.	E = 4.0 G = 4.2 D _{gr} = 2.0	H = 5.3 K = 5.0 D = 3.6	AWG 12 = 2.0	-	-	1852291-3	-	3.5	6.0	7.6	26.8	828922-1
UNSEALED / ungedichtet	1-1719504-2	A	1-1719503-2	4	CuSn4	△	12 AWG	max. 3.0	E = 4.0 G = 4.2 D _{gr} = 2.0	H = 5.3 K = 5.0 D = 3.6	AWG 12 = 2.0	-	-	1852291-3	-	3.5	6.0	7.6	26.8	△	828922-1					
	1-1719504-1	A	1-1719503-1	4	CuSn0.20	△	12 AWG	max. 3.0	E = 4.0 G = 4.2 D _{gr} = 2.0	H = 5.3 K = 5.0 D = 3.6	AWG 12 = 2.0	-	-	1852291-3	-	3.5	6.0	7.6	26.8	△	828922-1					
	3-968947-1	A	3-968966-1	6	CuSn0.20	△	FLR	max. 3.7	E = 4.5 G = 4.7 D _{gr} = 2.3	H = 6.2 K = 6.0 D = 4.3	4.0 mm² = 2.25	DIMENSION SEE STRIP FORM Masse siehe Bandware		MOC APPLICATOR 2-541537-2	539635-1 MATRIZE : 539727-2	4.3	6.9	8.5	28.5	828985 (Ø6.4)	828986-1					
	2-968947-2	A	2-968966-2	6	CuFe	△	FLR	max. 3.7	E = 4.5 G = 4.7 D _{gr} = 2.3	H = 6.2 K = 6.0 D = 4.3	4.0 mm² = 2.25	DIMENSION SEE STRIP FORM Masse siehe Bandware		MOC APPLICATOR 2-541537-2	539635-1 MATRIZE : 539727-2	4.3	6.9	8.5	28.5	828985 (Ø6.4)	828986-1					
	2-968947-1	A	2-968966-1	6	CuFe	△	FLR	max. 3.7	E = 4.5 G = 4.7 D _{gr} = 2.3	H = 6.2 K = 6.0 D = 4.3	4.0 mm² = 2.25	DIMENSION SEE STRIP FORM Masse siehe Bandware		MOC APPLICATOR 2-541537-2	539635-1 MATRIZE : 539727-2	4.3	6.9	8.5	28.5	828985 (Ø6.4)	828986-1					
	1-968947-2	A	1-968966-2	6	CuSn4	△	FLR	max. 3.0	E = 3.6 G = 3.8 D _{gr} = 1.7	H = 5.3 K = 5.0 D = 3.6	2.5 mm² = 1.88 2.0 mm² = 1.73 1.5 mm² = 1.58	E = 2.8 G = 3.9 D _{gr} = 1.7	H = 4.8 K = 4.5 R = 2.8	MOC APPLICATOR 2-878560-2	734440-1	3.5	6.0	7.6	26.8	828905 (Ø5.0)	828922-1					
	1-968947-1	A	1-968966-1	6	CuSn4	△	FLR	max. 3.0	E = 3.6 G = 3.8 D _{gr} = 1.7	H = 5.3 K = 5.0 D = 3.6	2.5 mm² = 1.88 2.0 mm² = 1.73 1.5 mm² = 1.58	E = 2.8 G = 3.9 D _{gr} = 1.7	H = 4.8 K = 4.5 R = 2.8	MOC APPLICATOR 2-878560-2	734440-1	3.5	6.0	7.6	26.8	828905 (Ø5.0)						
	2-962916-3	E	2-963749-3	4	CuFe	△	FLR	max. 3.0	E = 3.6 G = 3.8 D _{gr} = 1.7	H = 5.3 K = 5.0 D = 3.6	2.5 mm² = 1.88 2.0 mm² = 1.73 1.5 mm² = 1.58	E = 2.8 G = 3.9 D _{gr} = 1.7	H = 4.8 K = 4.5 R = 2.8	MOC APPLICATOR 2-878560-2	734440-1	3.5	6.0	7.6	26.8	828905 (Ø5.0)						
	2-962916-2	E	2-963749-2	4	CuFe	△	FLR	max. 3.0	E = 3.6 G = 3.8 D _{gr} = 1.7	H = 5.3 K = 5.0 D = 3.6	2.5 mm² = 1.88 2.0 mm² = 1.73 1.5 mm² = 1.58	E = 2.8 G = 3.9 D _{gr} = 1.7	H = 4.8 K = 4.5 R = 2.8	MOC APPLICATOR 2-878560-2	734440-1	3.5	6.0	7.6	26.8	828905 (Ø5.0)						
	2-962916-1	E	2-963749-1	4	CuFe	△	FLR	max. 3.0	E = 3.6 G = 3.8 D _{gr} = 1.7	H = 5.3 K = 5.0 D = 3.6	2.5 mm² = 1.88 2.0 mm² = 1.73 1.5 mm² = 1.58	E = 2.8 G = 3.9 D _{gr} = 1.7	H = 4.8 K = 4.5 R = 2.8	MOC APPLICATOR 2-878560-2	734440-1	3.5	6.0	7.6	26.8	828905 (Ø5.0)						
	1-962916-3	E	1-963749-3	4	CuSn4	△	FLR	max. 3.0	E = 3.6 G = 3.8 D _{gr} = 1.7	H = 5.3 K = 5.0 D = 3.6	2.5 mm² = 1.88 2.0 mm² = 1.73 1.5 mm² = 1.58	E = 2.8 G = 3.9 D _{gr} = 1.7	H = 4.8 K = 4.5 R = 2.8	MOC APPLICATOR 2-878560-2	734440-1	3.5	6.0	7.6	26.8	828905 (Ø5.0)						
	1-962916-2	E	1-963749-2	4	CuSn4	△	FLR	max. 3.0	E = 3.6 G = 3.8 D _{gr} = 1.7	H = 5.3 K = 5.0 D = 3.6	2.5 mm² = 1.88 2.0 mm² = 1.73 1.5 mm² = 1.58	E = 2.8 G = 3.9 D _{gr} = 1.7	H = 4.8 K = 4.5 R = 2.8	MOC APPLICATOR 2-878560-2	734440-1	3.5	6.0	7.6	26.8	828905 (Ø5.0)						
	1-962916-1	E	1-963749-1	4	CuSn4	△	FLR	max. 3.0	E = 3.6 G = 3.8 D _{gr} = 1.7	H = 5.3 K = 5.0 D = 3.6	2.5 mm² = 1.88 2.0 mm² = 1.73 1.5 mm² = 1.58	E = 2.8 G = 3.9 D _{gr} = 1.7	H = 4.8 K = 4.5 R = 2.8	MOC APPLICATOR 2-878560-2	734440-1	3.5	6.0	7.6	26.8	828905 (Ø5.0)						
	2-962915-3	E	2-963748-3	4	CuFe	△	FLR	max. 2.1	E = 2.6 G = 2.9 D _{gr} = 1.2	H = 5.0 K = 4.8 D = 3.3	1.0 mm² = 1.36 0.75 mm² = 1.27 0.5 mm² = 1.18	E = 2.2 G = 2.9 D _{gr} = 1.1	H = 4.6 K = 4.3 R = 2.3	MOC APPLICATOR 2-878559-2	734438-1	3.0	5.4	7.0	26.8	828904 (Ø5.0)						
	2-962915-2	E	2-963748-2	4	CuFe	△	FLR	max. 2.1	E = 2.6 G = 2.9 D _{gr} = 1.2	H = 5.0 K = 4.8 D = 3.3	1.0 mm² = 1.36 0.75 mm² = 1.27 0.5 mm² = 1.18	E = 2.2 G = 2.9 D _{gr} = 1.1	H = 4.6 K = 4.3 R = 2.3	MOC APPLICATOR 2-878559-2	734438-1	3.0	5.4	7.0	26.8	828904 (Ø5.0)						
	2-962915-1	E	2-963748-1	4	CuFe	△	FLR	max. 2.1	E = 2.6 G = 2.9 D _{gr} = 1.2	H = 5.0 K = 4.8 D = 3.3	1.0 mm² = 1.36 0.75 mm² = 1.27 0.5 mm² = 1.18	E = 2.2 G = 2.9 D _{gr} = 1.1	H = 4.6 K = 4.3 R = 2.3	MOC APPLICATOR 2-878559-2	734438-1	3.0	5.4	7.0	26.8	828904 (Ø5.0)						
	6-962915-6	E	-	4	CuSn4	△	FLR	max. 2.1	E = 2.6 G = 2.9 D _{gr} = 1.2	H = 5.0 K = 4.8 D = 3.3	1.0 mm² = 1.36 0.75 mm² = 1.27 0.5 mm² = 1.18	E = 2.2 G = 2.9 D _{gr} = 1.1	H = 4.6 K = 4.3 R = 2.3	MOC APPLICATOR 2-878559-2	734438-1	3.0	5.4	7.0	26.8	828904 (Ø5.0)						
	1-962915-3	E	1-963748-3	4	CuSn4	△	FLR	max. 2.1	E = 2.6 G = 2.9 D _{gr} = 1.2	H = 5.0 K = 4.8 D = 3.3	1.0 mm² = 1.36 0.75 mm² = 1.27 0.5 mm² = 1.18	E = 2.2 G = 2.9 D _{gr} = 1.1	H = 4.6 K = 4.3 R = 2.3	MOC APPLICATOR 2-878559-2	734438-1	3.0	5.4	7.0	26.8	828904 (Ø5.0)						
	1-962915-2	E	1-963748-2	4	CuSn4	△	FLR	max. 2.1	E = 2.6 G = 2.9 D _{gr} = 1.2	H = 5.0 K = 4.8 D = 3.3	1.0 mm² = 1.36 0.75 mm² = 1.27 0.5 mm² = 1.18	E = 2.2 G = 2.9 D _{gr} = 1.1	H = 4.6 K = 4.3 R = 2.3	MOC APPLICATOR 2-878559-2	734438-1	3.0	5.4	7.0	26.8	828904 (Ø5.0)						
	1-962915-1	E	1-963748-1	4	CuSn4	△	FLR	max. 2.1	E = 2.6 G = 2.9 D _{gr} = 1.2	H = 5.0 K = 4.8 D = 3.3	1.0 mm² = 1.36 0.75 mm² = 1.27 0.5 mm² = 1.18	E = 2.2 G = 2.9 D _{gr} = 1.1	H = 4.6 K = 4.3 R = 2.3	MOC APPLICATOR 2-878559-2	734438-1	3.0	5.4	7.0	26.8	828904 (Ø5.0)						
	1-965982-3	A	1-965983-3	5	CuSn4	△	FLR	max. 2.1	E = 2.1 G = 2.1 D _{gr} = 0.8	H = 4.7 K = 4.5 D = 3.2	0.5 mm² = 1.12 0.35 mm² = 1.05 0.2 mm² = 0.98	E = 1.7 G = 2.15 D _{gr} = 0.8	H = 4.2 K = 4.15 R = 2.4	MOC APPLICATOR 2-878558-2	539635-1 MATRIZE : 539737-2	2.5	4.9	6.5	26.8	828904 (Ø5.0)						
	1-965982-1	A	1-965983-1	5	CuSn4	△	FLR	max. 2.1	E = 2.1 G = 2.1 D _{gr} = 0.8	H = 4.7 K = 4.5 D = 3.2	0.5 mm² = 1.12 0.35 mm² = 1.05 0.2 mm² = 0.98	E = 1.7 G = 2.15 D _{gr} = 0.8	H = 4.2 K = 4.15 R = 2.4	MOC APPLICATOR 2-878558-2	539635-1 MATRIZE : 539737-2	2.5	4.9	6.5	26.8	828904 (Ø5.0)						
	3-968946-1	A	3-968965-1	3	CuSn0.20	△	FLR	2.7 - 3.7	E = 4.5 G = 4.7 D _{gr} = 2.3	H = 5.7 K = 5.9 D = 3.3	4.0 mm² = 2.25	E = 3.4 G = 4.7 D _{gr} = 2.3	H = 4.6 K = 5.1 R = 2.6	MOC APPLICATOR 2-541534-2	539635-1 MATRIZE : 539723-2	4.3	6.6	8.5	28.5							
	2-968946-2	A	2-968965-2	3	CuFe	△	FLR	2.7 - 3.7	E = 4.5 G = 4.7 D _{gr} = 2.3	H = 5.7 K = 5.9 D = 3.3	4.0 mm² = 2.25	E = 3.4 G = 4.7 D _{gr} = 2.3	H = 4.6 K = 5.1 R = 2.6	MOC APPLICATOR 2-541534-2	539635-1 MATRIZE : 539723-2	4.3	6.6	8.5	28.5							
2-968946-1	A	2-968965-1	3	CuSn4	△	FLR	2.7 - 3.7	E = 4.5 G = 4.7 D _{gr} = 2.3	H = 5.7 K = 5.9 D = 3.3	4.0 mm² = 2.25	E = 3.4 G = 4.7 D _{gr} = 2.3	H = 4.6 K = 5.1 R = 2.6	MOC APPLICATOR 2-541534-2	539635-1 MATRIZE : 539723-2	4.3	6.6	8.5	28.5								
1-968946-2	A	1-968965-2	3	CuSn4	△	FLR	2.7 - 3.7	E = 4.5 G = 4.7 D _{gr} = 2.3	H = 5.7 K = 5.9 D = 3.3	4.0 mm² = 2.25	E = 3.4 G = 4.7 D _{gr} = 2.3	H = 4.6 K = 5.1 R = 2.6	MOC APPLICATOR 2-541534-2	539635-1 MATRIZE : 539723-2	4.3	6.6	8.5	28.5								
2-962843-3	C	2-963747-3	1	CuFe	△	FLK	2.4 - 3.7	E = 3.6 G = 3.8 D _{gr} = 1.7	H = 5.5 K = 5.7 D = 3.2	2.5 mm² = 1.88 2.0 mm² = 1.73 1.5 mm² = 1.58	E = 2.8 G = 3.9 D _{gr} = 1.7	H = 4.2 K = 5.1 R = 2.4	MOC APPLICATOR 2-878552-2	734447-3	3.6	5.2	8.9	28.6								
2-962843-2	C	2-963747-2	1	CuFe	△	FLK	2.4 - 3.7	E = 3.6 G = 3.8 D _{gr} = 1.7	H = 5.5 K = 5.7 D = 3.2	2.5 mm² = 1.88 2.0 mm² = 1.73 1.5 mm² = 1.58	E = 2.8 G = 3.9 D _{gr} = 1.7	H = 4.2 K = 5.1 R = 2.4	MOC APPLICATOR 2-878552-2	734447-3	3.6	5.2	8.9	28.6								
2-962843-1	C	2-963747-1	1	CuSn4	△	FLK	2.4 - 3.7	E = 3.6 G = 3.8 D _{gr} = 1.7	H = 5.5 K = 5.7 D = 3.2	2.5 mm² = 1.88 2.0 mm² = 1.73 1.5 mm² = 1.58	E = 2.8 G = 3.9 D _{gr} = 1.7	H = 4.2 K = 5.1 R = 2.4	MOC APPLICATOR 2-878552-2	734447-3	3.6	5.2	8.9	28.6								
1-962843-3	C	1-963747-3	1	CuSn4	△	FLK	2.4 - 3.7	E = 3.6 G = 3.8 D _{gr} = 1.7	H = 5.5 K = 5.7 D = 3.2	2.5 mm² = 1.88 2.0 mm² = 1.73 1.5 mm² = 1.58	E = 2.8 G = 3.9 D _{gr} = 1.7	H = 4.2 K = 5.1 R = 2.4	MOC APPLICATOR 2-878552-2	734447-3	3.6	5.2	8.9	28.6								
1-962843-2	C	1-963747-2	1	CuSn4	△	FLK	2.4 - 3.7	E = 3.6 G = 3.8 D _{gr} = 1.7	H = 5.5 K = 5.7 D = 3.2	2.5 mm² = 1.88 2.0 mm² = 1.73 1.5 mm² = 1.58	E = 2.8 G = 3.9 D _{gr} = 1.7	H = 4.2 K = 5.1 R = 2.4	MOC APPLICATOR 2-878552-2	734447-3	3.6	5.2	8.9	28.6								
1-962843-1	C	1-963747-1	1	CuSn4	△	FLK	2.4 - 3.7	E = 3.6 G = 3.8 D _{gr} = 1.7	H = 5.5 K = 5.7 D = 3.2	2.5 mm² = 1.88 2.0 mm² = 1.73 1.5 mm² = 1.58	E = 2.8 G = 3.9 D _{gr} = 1.7	H = 4.2 K = 5.1 R = 2.4	MOC APPLICATOR 2-878552-2	734447-3	3.6	5.2	8.9	28.6								



Компания «ЭлектроПласт» предлагает заключение долгосрочных отношений при поставках импортных электронных компонентов на взаимовыгодных условиях!

Наши преимущества:

- Оперативные поставки широкого спектра электронных компонентов отечественного и импортного производства напрямую от производителей и с крупнейших мировых складов;
- Поставка более 17-ти миллионов наименований электронных компонентов;
- Поставка сложных, дефицитных, либо снятых с производства позиций;
- Оперативные сроки поставки под заказ (от 5 рабочих дней);
- Экспресс доставка в любую точку России;
- Техническая поддержка проекта, помощь в подборе аналогов, поставка прототипов;
- Система менеджмента качества сертифицирована по Международному стандарту ISO 9001;
- Лицензия ФСБ на осуществление работ с использованием сведений, составляющих государственную тайну;
- Поставка специализированных компонентов (Xilinx, Altera, Analog Devices, Intersil, Interpoint, Microsemi, Aeroflex, Peregrine, Syfer, Eurofarad, Texas Instrument, Miteq, Cobham, E2V, MA-COM, Hittite, Mini-Circuits, General Dynamics и др.);

Помимо этого, одним из направлений компании «ЭлектроПласт» является направление «Источники питания». Мы предлагаем Вам помощь Конструкторского отдела:

- Подбор оптимального решения, техническое обоснование при выборе компонента;
- Подбор аналогов;
- Консультации по применению компонента;
- Поставка образцов и прототипов;
- Техническая поддержка проекта;
- Защита от снятия компонента с производства.



Как с нами связаться

Телефон: 8 (812) 309 58 32 (многоканальный)

Факс: 8 (812) 320-02-42

Электронная почта: org@eplast1.ru

Адрес: 198099, г. Санкт-Петербург, ул. Калинина, дом 2, корпус 4, литера А.