

The S-8230A/B Series is a protection IC for 1-cell lithium-ion / lithium polymer rechargeable batteries and includes high-accuracy voltage detection circuits and delay circuits.

The S-8230A/B Series is suitable for protecting 1-cell lithium-ion / lithium polymer rechargeable battery packs from overcharge, overdischarge, overcurrent, and controlling discharge by external signal.

■ Features

- High-accuracy voltage detection circuit

| | | |
|---|---------------------------------|---|
| Overcharge detection voltage | 3.5 V to 4.5 V (5 mV step) | Accuracy ± 20 mV ($T_a = +25^\circ\text{C}$) |
| | | Accuracy ± 25 mV ($T_a = -10^\circ\text{C}$ to $+60^\circ\text{C}$) |
| Overcharge release voltage | 3.1 V to 4.5 V ^{*1} | Accuracy ± 30 mV |
| Overdischarge detection voltage | 2.0 V to 3.4 V (10 mV step) | Accuracy ± 35 mV |
| Overdischarge release voltage | 2.0 V to 3.4 V ^{*2} | Accuracy ± 50 mV |
| Discharge overcurrent detection voltage | 0.05 V to 0.20 V (10 mV step) | Accuracy ± 10 mV |
| Load short-circuiting detection voltage | 0.5 V (fixed) | Accuracy ± 100 mV |
| Charge overcurrent detection voltage | -0.20 V to -0.05 V (25 mV step) | Accuracy ± 15 mV |
| | -0.16 V to -0.08 V (40 mV step) | |
 - Detection delay times are generated only by an internal circuit (External capacitors are unnecessary).
Accuracy $\pm 20\%$
 - Discharge control function

| | |
|---|--|
| CTL pin control logic is selectable: | Active "H", active "L" |
| CTL pin internal resistance connection is selectable: | Pull-up, pull-down |
| CTL pin internal resistance value is selectable: | 1.0 M Ω , 2.5 M Ω , 5.0 M Ω |
| Discharge inhibition status latch function is selectable: | Available, unavailable |
 - 0 V battery charge function is selectable: Available, unavailable
 - Power-down function is selectable: Available, unavailable
 - Release condition of discharge overcurrent status is selectable: Load disconnection, charger connection
 - High-withstand voltage: VM pin and CO pin: Absolute maximum rating 28 V
 - Wide operation temperature range: $T_a = -40^\circ\text{C}$ to $+85^\circ\text{C}$
 - Low current consumption

| | |
|--------------------|--|
| During operation: | 2.8 μA typ., 5.5 μA max. ($T_a = +25^\circ\text{C}$) |
| During power-down: | 0.1 μA max. ($T_a = +25^\circ\text{C}$) |
 - Lead-free (Sn 100%), halogen-free
- *1. Overcharge release voltage = Overcharge detection voltage – Overcharge hysteresis voltage
(Overcharge hysteresis voltage can be selected as 0 V or from a range of 0.1 V to 0.4 V in 50 mV step.)
- *2. Overdischarge release voltage = Overdischarge detection voltage + Overdischarge hysteresis voltage
(Overdischarge hysteresis voltage can be selected as 0 V or from a range of 0.1 V to 0.7 V in 100 mV step.)

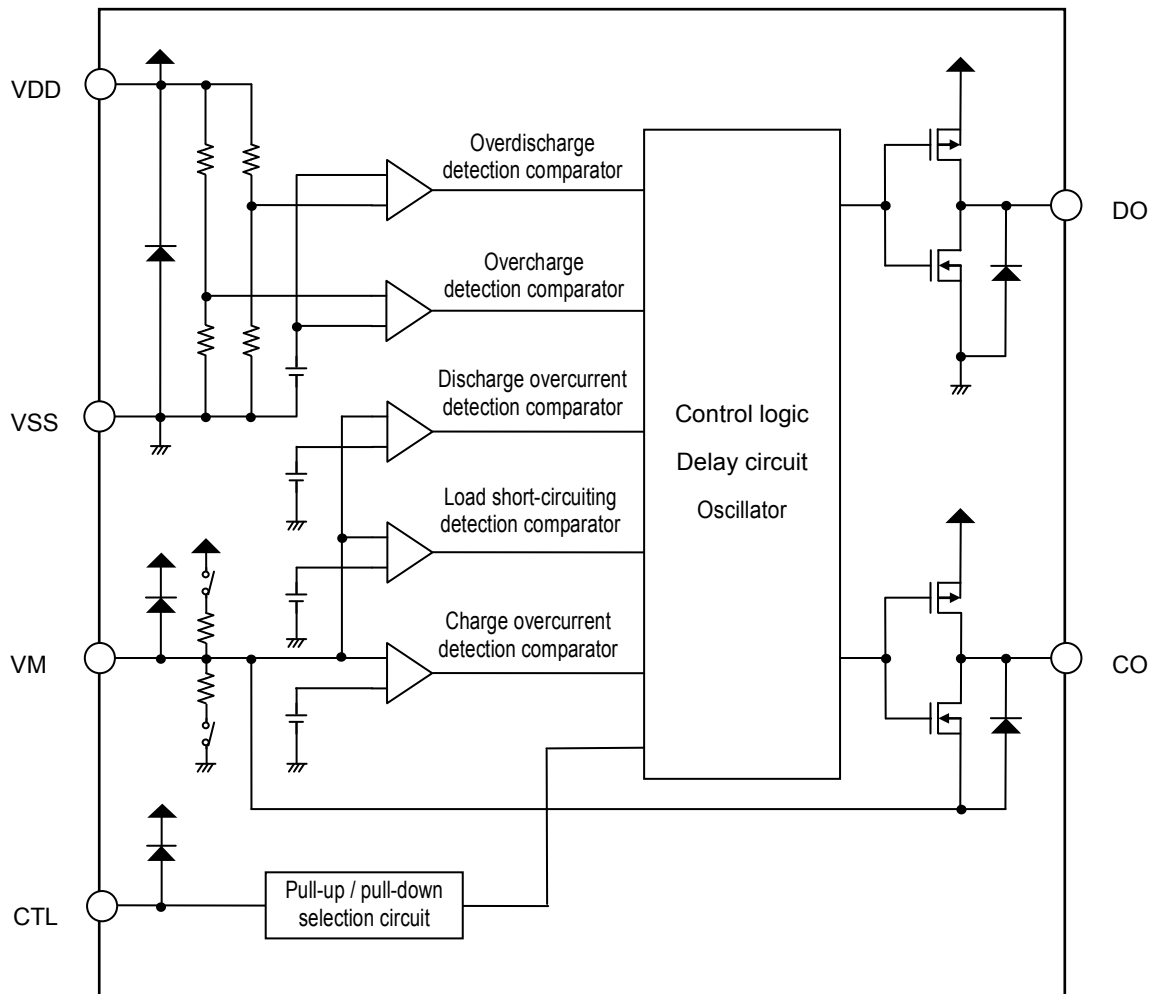
■ Applications

- Lithium-ion rechargeable battery pack
- Lithium polymer rechargeable battery pack

■ Package

- SNT-6A

■ **Block Diagram**

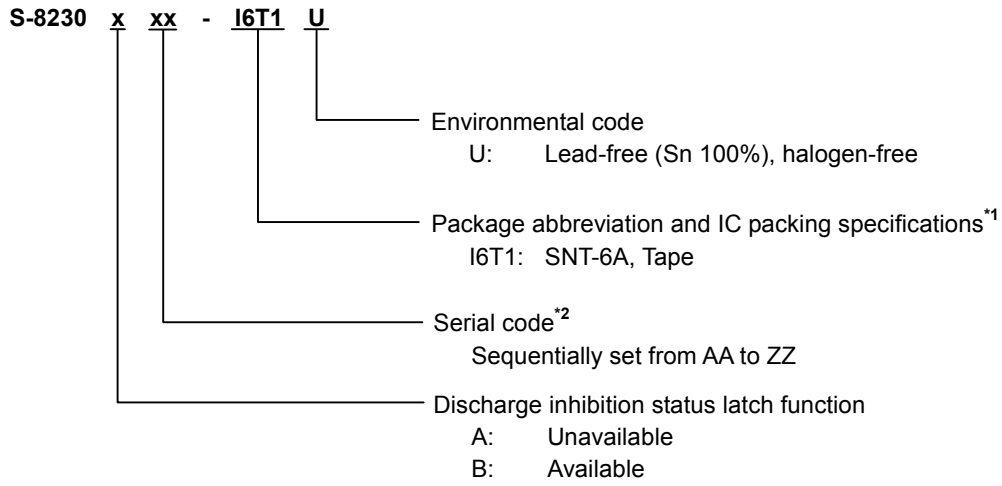


Remark All the diodes shown in the figure are parasitic diodes.

Figure 1

■ **Product Name Structure**

1. **Product name**



*1. Refer to the tape drawing.

*2. Refer to "3. Product name list".

2. **Package**

Table 1 Package Drawing Codes

| Package Name | Dimension | Tape | Reel | Land |
|--------------|--------------|--------------|--------------|--------------|
| SNT-6A | PG006-A-P-SD | PG006-A-C-SD | PG006-A-R-SD | PG006-A-L-SD |

3. Product name list

3.1 SNT-6A

3.1.1 S-8230A Series

Table 2

| Product Name | Overcharge Detection Voltage [V _{CU}] | Overcharge Release Voltage [V _{CL}] | Over-discharge Detection Voltage [V _{DL}] | Over-discharge Release Voltage [V _{DU}] | Discharge Overcurrent Detection Voltage [V _{DIOV}] | Charge Overcurrent Detection Voltage [V _{CIOV}] | Delay Time Combination* ¹ | Function Combination* ² |
|-----------------|---|---|---|---|--|---|--------------------------------------|------------------------------------|
| S-8230AAD-I6T1U | 4.425 V | 4.225 V | 2.500 V | 2.500 V | 0.130 V | -0.100 V | (3) | (3) |
| S-8230AAE-I6T1U | 4.415 V | 4.215 V | 2.500 V | 2.900 V | 0.050 V | -0.040 V | (5) | (5) |
| S-8230AAF-I6T1U | 4.425 V | 4.225 V | 2.800 V | 2.800 V | 0.130 V | -0.100 V | (3) | (6) |

*1. Refer to **Table 4** about the details of the delay time combinations.

*2. Refer to **Table 6** about the details of the function combinations.

Remark Please contact our sales office for the products with detection voltage value other than those specified above.

3.1.2 S-8230B Series

Table 3

| Product Name | Overcharge Detection Voltage [V _{CU}] | Overcharge Release Voltage [V _{CL}] | Over-discharge Detection Voltage [V _{DL}] | Over-discharge Release Voltage [V _{DU}] | Discharge Overcurrent Detection Voltage [V _{DIOV}] | Charge Overcurrent Detection Voltage [V _{CIOV}] | Delay Time Combination* ¹ | Function Combination* ² |
|-----------------|---|---|---|---|--|---|--------------------------------------|------------------------------------|
| S-8230BAA-I6T1U | 4.280 V | 4.080 V | 2.300 V | 2.300 V | 0.080 V | -0.100 V | (1) | (1) |
| S-8230BAB-I6T1U | 4.280 V | 3.880 V | 2.500 V | 3.000 V | 0.200 V | -0.050 V | (2) | (2) |
| S-8230BAE-I6T1U | 4.280 V | 3.880 V | 2.300 V | 2.300 V | 0.140 V | -0.050 V | (4) | (4) |
| S-8230BAF-I6T1U | 4.425 V | 4.225 V | 2.500 V | 2.500 V | 0.130 V | -0.100 V | (3) | (1) |
| S-8230BAG-I6T1U | 4.425 V | 4.225 V | 2.500 V | 2.500 V | 0.130 V | -0.050 V | (2) | (2) |

*1. Refer to **Table 4** about the details of the delay time combinations.

*2. Refer to **Table 6** about the details of the function combinations.

Remark Please contact our sales office for the products with detection voltage value other than those specified above.

Table 4

| Delay Time Combination | Overcharge Detection Delay Time [t _{CU}] | Overdischarge Detection Delay Time [t _{DL}] | Discharge Overcurrent Detection Delay Time [t _{DIOV}] | Load Short-circuiting Detection Delay Time [t _{SHORT}] | Charge Overcurrent Detection Delay Time [t _{CIOV}] | Discharge Inhibition Delay Time [t _{CTL}] |
|------------------------|--|---|---|--|--|---|
| (1) | 1.0 s | 128 ms | 16 ms | 280 μs | 8 ms | 256 ms |
| (2) | 1.0 s | 128 ms | 16 ms | 1 ms | 8 ms | 256 ms |
| (3) | 1.0 s | 32 ms | 8 ms | 280 μs | 8 ms | 256 ms |
| (4) | 1.0 s | 128 ms | 32 ms | 1 ms | 8 ms | 256 ms |
| (5) | 1.0 s | 64 ms | 8 ms | 280 μs | 8 ms | 256 ms |

Remark The delay times can be changed within the range listed in **Table 5**. For details, please contact our sales office.

Table 5

| Delay Time | Symbol | Selection Range | | | Remark |
|--|--------------------|----------------------|---------------------|----------------------|-------------------------------|
| Overcharge detection delay time | t _{CU} | 256 ms | 512 ms | 1.0 s ^{*1} | Select a value from the left. |
| Overdischarge detection delay time | t _{DL} | 32 ms | 64 ms ^{*1} | 128 ms | Select a value from the left. |
| Discharge overcurrent detection delay time | t _{DIOV} | 4 ms | 8 ms ^{*1} | 16 ms | Select a value from the left. |
| Load short-circuiting detection delay time | t _{SHORT} | 280 μs ^{*1} | 530 μs | 1 ms | Select a value from the left. |
| Charge overcurrent detection delay time | t _{CIOV} | 4 ms | 8 ms ^{*1} | 16 ms | Select a value from the left. |
| Discharge inhibition delay time | t _{CTL} | 64 ms | 128 ms | 256 ms ^{*1} | Select a value from the left. |

*1. This value is the delay time of the standard products.

Table 6

| Function Combination | CTL Pin | | | Discharge Inhibition Status Latch Function ^{*4} | 0 V Battery Charge Function ^{*5} | Power-down Function ^{*6} | Release Condition of Discharge Overcurrent Status ^{*7} |
|----------------------|-----------------------------|--|---|--|---|-----------------------------------|---|
| | Control Logic ^{*1} | Internal Resistance Connection ^{*2} | Internal Resistance Value ^{*3} [R _{CTL}] | | | | |
| (1) | Active "L" | Pull-down | 1.0 MΩ | Available | Available | Available | Load disconnection |
| (2) | Active "L" | Pull-up | 1.0 MΩ | Available | Unavailable | Available | Charger connection |
| (3) | Active "L" | Pull-up | 5.0 MΩ | Unavailable | Available | Available | Load disconnection |
| (4) | Active "L" | Pull-down | 1.0 MΩ | Available | Unavailable | Available | Charger connection |
| (5) | Active "L" | Pull-up | 5.0 MΩ | Unavailable | Available | Unavailable | Load disconnection |
| (6) | Active "H" | Pull-down | 5.0 MΩ | Unavailable | Unavailable | Available | Load disconnection |

Caution The combination of CTL pin control logic active "H" and CTL pin internal resistance connection "pull-up" worsens the accuracy of overcharge detection voltage. Therefore, this combination can not be set up.

- *1. CTL pin control logic active "H" / active "L" is selectable.
- *2. CTL pin internal resistance connection "pull-up" / "pull-down" is selectable.
- *3. CTL pin internal resistance value 1.0 MΩ / 2.5 MΩ / 5.0 MΩ is selectable.
- *4. Discharge inhibition status latch function "available" / "unavailable" is selectable.
- *5. 0 V battery charge function "available" / "unavailable" is selectable.
- *6. Power-down function "available" / "unavailable" is selectable.
- *7. Release condition of discharge overcurrent status "load disconnection" / "charger connection" is selectable.

Remark Please contact our sales office for the products with function combinations other than those specified above.

■ Pin Configuration

1. SNT-6A

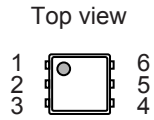


Figure 2

Table 7

| Pin No. | Symbol | Description |
|---------|--------|--|
| 1 | CTL | Discharge control pin |
| 2 | CO | Connection pin of charge control FET gate (CMOS output) |
| 3 | DO | Connection pin of discharge control FET gate (CMOS output) |
| 4 | VSS | Input pin for negative power supply |
| 5 | VDD | Input pin for positive power supply |
| 6 | VM | Voltage detection pin between VM pin and VSS pin (Overcurrent / charger detection pin) |

■ Absolute Maximum Ratings

Table 8

(Ta = +25°C unless otherwise specified)

| Item | Symbol | Applied pin | Absolute Maximum Rating | Unit |
|---|------------------|-------------|--|------|
| Input voltage between VDD pin and VSS pin | V _{DS} | VDD | V _{SS} - 0.3 to V _{SS} + 12 | V |
| VM pin input voltage | V _{VM} | VM | V _{DD} - 28 to V _{DD} + 0.3 | V |
| DO pin output voltage | V _{DO} | DO | V _{SS} - 0.3 to V _{DD} + 0.3 | V |
| CO pin output voltage | V _{CO} | CO | V _{VM} - 0.3 to V _{DD} + 0.3 | V |
| CTL pin input voltage | V _{CTL} | CTL | V _{SS} - 0.3 to V _{DD} + 0.3 | V |
| Power dissipation | P _D | - | 400 ^{*1} | mW |
| Operation ambient temperature | T _{opr} | - | -40 to +85 | °C |
| Storage temperature | T _{stg} | - | -55 to +125 | °C |

*1. When mounted on board

[Mounted board]

(1) Board size: 114.3 mm × 76.2 mm × t1.6 mm

(2) Board name: JEDEC STANDARD51-7

Caution The absolute maximum ratings are rated values exceeding which the product could suffer physical damage. These values must therefore not be exceeded under any conditions.

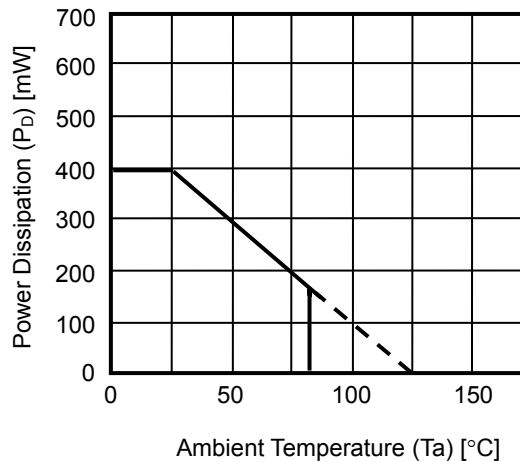


Figure 3 Power Dissipation of Package (When Mounted on Board)

■ **Electrical Characteristics**

1. $T_a = +25^\circ\text{C}$

Table 9

($T_a = +25^\circ\text{C}$ unless otherwise specified)

| Item | Symbol | Condition | Min. | Typ. | Max. | Unit | Test Circuit |
|---|--------------------|---|-------------------------------|--------------------|-------------------------------|---------------|--------------|
| Detection Voltage | | | | | | | |
| Overcharge detection voltage | V_{CU} | – | $V_{\text{CU}} - 0.020$ | V_{CU} | $V_{\text{CU}} + 0.020$ | V | 1 |
| | | $T_a = -10^\circ\text{C}$ to $+60^\circ\text{C}^{*1}$ | $V_{\text{CU}} - 0.025$ | V_{CU} | $V_{\text{CU}} + 0.025$ | V | 1 |
| Overcharge release voltage | V_{CL} | $V_{\text{CL}} \neq V_{\text{CU}}$ | $V_{\text{CL}} - 0.030$ | V_{CL} | $V_{\text{CL}} + 0.030$ | V | 1 |
| | | $V_{\text{CL}} = V_{\text{CU}}$ | $V_{\text{CL}} - 0.025$ | V_{CL} | $V_{\text{CL}} + 0.020$ | V | 1 |
| Overdischarge detection voltage | V_{DL} | – | $V_{\text{DL}} - 0.035$ | V_{DL} | $V_{\text{DL}} + 0.035$ | V | 2 |
| Overdischarge release voltage | V_{DU} | $V_{\text{DL}} \neq V_{\text{DU}}$ | $V_{\text{DU}} - 0.050$ | V_{DU} | $V_{\text{DU}} + 0.050$ | V | 2 |
| | | $V_{\text{DL}} = V_{\text{DU}}$ | $V_{\text{DU}} - 0.035$ | V_{DU} | $V_{\text{DU}} + 0.035$ | V | 2 |
| Discharge overcurrent detection voltage | V_{DIOV} | – | $V_{\text{DIOV}} - 0.010$ | V_{DIOV} | $V_{\text{DIOV}} + 0.010$ | V | 2 |
| Load short-circuiting detection voltage | V_{SHORT} | – | 0.40 | 0.50 | 0.60 | V | 2 |
| Charge overcurrent detection voltage | V_{CIOV} | – | $V_{\text{CIOV}} - 0.015$ | V_{CIOV} | $V_{\text{CIOV}} + 0.015$ | V | 2 |
| 0 V Battery Charge Function | | | | | | | |
| 0 V battery charge starting charger voltage | V_{0CHA} | 0 V battery charge function "available" | 0.0 | 0.7 | 1.0 | V | 2 |
| 0 V battery charge inhibition battery voltage | V_{0INH} | 0 V battery charge function "unavailable" | 1.0 | 1.2 | 1.4 | V | 2 |
| Internal Resistance | | | | | | | |
| Resistance between VM pin and VDD pin | R_{VMD} | – | 100 | 300 | 900 | k Ω | 3 |
| Resistance between VM pin and VSS pin | R_{VMS} | – | 10 | 20 | 40 | k Ω | 3 |
| CTL pin internal resistance | R_{CTL} | – | $R_{\text{CTL}} \times 0.45$ | R_{CTL} | $R_{\text{CTL}} \times 1.75$ | M Ω | 3 |
| Input Voltage | | | | | | | |
| Operation voltage between VDD pin and VSS pin | V_{DSOP1} | – | 1.5 | – | 6.5 | V | – |
| Operation voltage between VDD pin and VM pin | V_{DSOP2} | – | 1.5 | – | 28 | V | – |
| CTL pin voltage "H" | V_{CTLH} | – | – | – | $V_{\text{DD}} \times 0.9$ | V | 2 |
| CTL pin voltage "L" | V_{CTLL} | – | $V_{\text{DD}} \times 0.1$ | – | – | V | 2 |
| Input Current | | | | | | | |
| Current consumption during operation | I_{OPE} | – | 1.0 | 2.8 | 5.5 | μA | 3 |
| Current consumption during power-down | I_{PDN} | – | – | – | 0.1 | μA | 3 |
| Current consumption during overdischarge | I_{OPED} | – | – | – | 4.0 | μA | 3 |
| Current consumption during discharge inhibition | I_{OPEC} | – | 1.0 | 2.8 | 5.5 | μA | 3 |
| Output Resistance | | | | | | | |
| CO pin resistance "H" | R_{COH} | – | 5 | 10 | 20 | k Ω | 4 |
| CO pin resistance "L" | R_{COL} | – | 5 | 10 | 20 | k Ω | 4 |
| DO pin resistance "H" | R_{DOH} | – | 5 | 10 | 20 | k Ω | 4 |
| DO pin resistance "L" | R_{DOL} | – | 5 | 10 | 20 | k Ω | 4 |
| Delay Time | | | | | | | |
| Overcharge detection delay time | t_{CU} | – | $t_{\text{CU}} \times 0.8$ | t_{CU} | $t_{\text{CU}} \times 1.2$ | – | 5 |
| Overdischarge detection delay time | t_{DL} | – | $t_{\text{DL}} \times 0.8$ | t_{DL} | $t_{\text{DL}} \times 1.2$ | – | 5 |
| Discharge overcurrent detection delay time | t_{DIOV} | – | $t_{\text{DIOV}} \times 0.8$ | t_{DIOV} | $t_{\text{DIOV}} \times 1.2$ | – | 5 |
| Load short-circuiting detection delay time | t_{SHORT} | – | $t_{\text{SHORT}} \times 0.8$ | t_{SHORT} | $t_{\text{SHORT}} \times 1.2$ | – | 5 |
| Charge overcurrent detection delay time | t_{CIOV} | – | $t_{\text{CIOV}} \times 0.8$ | t_{CIOV} | $t_{\text{CIOV}} \times 1.2$ | – | 5 |
| Discharge inhibition delay time | t_{CTL} | – | $t_{\text{CTL}} \times 0.8$ | t_{CTL} | $t_{\text{CTL}} \times 1.2$ | – | 5 |

*1. Since products are not screened at high and low temperature, the specification for this temperature range is guaranteed by design, not tested in production.

**BATTERY PROTECTION IC WITH DISCHARGE CONTROL FUNCTION FOR 1-CELL PACK
S-8230A/B Series**

Rev.2.5_01

2. Ta = -40°C to +85°C*1

Table 10

(Ta = -40°C to +85°C*1 unless otherwise specified)

| Item | Symbol | Condition | Min. | Typ. | Max. | Unit | Test Circuit |
|---|--------------------|---|---------------------------|--------------------|---------------------------|------|--------------|
| Detection Voltage | | | | | | | |
| Overcharge detection voltage | V _{CU} | - | V _{CU} - 0.045 | V _{CU} | V _{CU} + 0.030 | V | 1 |
| Overcharge release voltage | V _{CL} | V _{CL} ≠ V _{CU} | V _{CL} - 0.070 | V _{CL} | V _{CL} + 0.040 | V | 1 |
| | | V _{CL} = V _{CU} | V _{CL} - 0.050 | V _{CL} | V _{CL} + 0.030 | V | 1 |
| Overdischarge detection voltage | V _{DL} | - | V _{DL} - 0.070 | V _{DL} | V _{DL} + 0.045 | V | 2 |
| Overdischarge release voltage | V _{DU} | V _{DL} ≠ V _{DU} | V _{DU} - 0.090 | V _{DU} | V _{DU} + 0.060 | V | 2 |
| | | V _{DL} = V _{DU} | V _{DU} - 0.070 | V _{DU} | V _{DU} + 0.045 | V | 2 |
| Discharge overcurrent detection voltage | V _{DIOV} | - | V _{DIOV} - 0.010 | V _{DIOV} | V _{DIOV} + 0.010 | V | 2 |
| Load short-circuiting detection voltage | V _{SHORT} | - | 0.40 | 0.50 | 0.60 | V | 2 |
| Charge overcurrent detection voltage | V _{CIOV} | - | V _{CIOV} - 0.015 | V _{CIOV} | V _{CIOV} + 0.015 | V | 2 |
| 0 V Battery Charge Function | | | | | | | |
| 0 V battery charge starting charger voltage | V _{0CHA} | 0 V battery charge function "available" | 0.0 | 0.7 | 1.5 | V | 2 |
| 0 V battery charge inhibition battery voltage | V _{0INH} | 0 V battery charge function "unavailable" | 0.9 | 1.2 | 1.5 | V | 2 |
| Internal Resistance | | | | | | | |
| Resistance between VM pin and VDD pin | R _{VMD} | - | 78 | 300 | 1310 | kΩ | 3 |
| Resistance between VM pin and VSS pin | R _{VMS} | - | 7.2 | 20 | 44 | kΩ | 3 |
| CTL pin internal resistance | R _{CTL} | - | R _{CTL} × 0.27 | R _{CTL} | R _{CTL} × 3.50 | MΩ | 3 |
| Input Voltage | | | | | | | |
| Operation voltage between VDD pin and VSS pin | V _{DSOP1} | - | 1.5 | - | 6.5 | V | - |
| Operation voltage between VDD pin and VM pin | V _{DSOP2} | - | 1.5 | - | 28 | V | - |
| CTL pin voltage "H" | V _{CTLH} | - | - | - | V _{DD} × 0.95 | V | 2 |
| CTL pin voltage "L" | V _{CTLL} | - | V _{DD} × 0.05 | - | - | V | 2 |
| Input Current | | | | | | | |
| Current consumption during operation | I _{OPE} | - | 0.7 | 2.8 | 6.0 | μA | 3 |
| Current consumption during power-down | I _{PDN} | - | - | - | 0.15 | μA | 3 |
| Current consumption during overdischarge | I _{OPEd} | - | - | - | 4.2 | μA | 3 |
| Current consumption during discharge inhibition | I _{OPEC} | - | 0.7 | 2.8 | 6.0 | μA | 3 |
| Output Resistance | | | | | | | |
| CO pin resistance "H" | R _{COH} | - | 2.4 | 10 | 30 | kΩ | 4 |
| CO pin resistance "L" | R _{COL} | - | 2.4 | 10 | 30 | kΩ | 4 |
| DO pin resistance "H" | R _{DOH} | - | 2.4 | 10 | 30 | kΩ | 4 |
| DO pin resistance "L" | R _{DOL} | - | 2.4 | 10 | 30 | kΩ | 4 |
| Delay Time | | | | | | | |
| Overcharge detection delay time | t _{CU} | - | t _{CU} × 0.6 | t _{CU} | t _{CU} × 1.6 | - | 5 |
| Overdischarge detection delay time | t _{DL} | - | t _{DL} × 0.6 | t _{DL} | t _{DL} × 1.6 | - | 5 |
| Discharge overcurrent detection delay time | t _{DIOV} | - | t _{DIOV} × 0.6 | t _{DIOV} | t _{DIOV} × 1.6 | - | 5 |
| Load short-circuiting detection delay time | t _{SHORT} | - | t _{SHORT} × 0.6 | t _{SHORT} | t _{SHORT} × 1.6 | - | 5 |
| Charge overcurrent detection delay time | t _{CIOV} | - | t _{CIOV} × 0.6 | t _{CIOV} | t _{CIOV} × 1.6 | - | 5 |
| Discharge inhibition delay time | t _{CTL} | - | t _{CTL} × 0.6 | t _{CTL} | t _{CTL} × 1.6 | - | 5 |

*1. Since products are not screened at high and low temperature, the specification for this temperature range is guaranteed by design, not tested in production.

■ Test Circuits

When CTL pin control logic is active "H", SW1 and SW3 are turned off, SW2 and SW4 are turned on. When CTL pin control logic is active "L", SW1 and SW3 are turned on, SW2 and SW4 are turned off.

Caution Unless otherwise specified, the output voltage levels "H" and "L" at CO pin (V_{CO}) and DO pin (V_{DO}) are judged by the threshold voltage (1.0 V) of the N-channel FET. Judge the CO pin level with respect to V_{VM} and the DO pin level with respect to V_{SS} .

1. Overcharge detection voltage, overcharge release voltage (Test circuit 1)

Overcharge detection voltage (V_{CU}) is defined as the voltage V1 at which V_{CO} goes from "H" to "L" when the voltage V1 is gradually increased from the starting condition of $V1 = 3.4$ V. Overcharge release voltage (V_{CL}) is defined as the voltage V1 at which V_{CO} goes from "L" to "H" when the voltage V1 is then gradually decreased. Overcharge hysteresis voltage (V_{HC}) is defined as the difference between V_{CU} and V_{CL} .

2. Overdischarge detection voltage, overdischarge release voltage (Test circuit 2)

Overdischarge detection voltage (V_{DL}) is defined as the voltage V1 at which V_{DO} goes from "H" to "L" when the voltage V1 is gradually decreased from the starting conditions of $V1 = 3.4$ V, $V2 = V5 = 0$ V. Overdischarge release voltage (V_{DU}) is defined as the voltage V1 at which V_{DO} goes from "L" to "H" when the voltage V1 is then gradually increased. Overdischarge hysteresis voltage (V_{HD}) is defined as the difference between V_{DU} and V_{DL} .

3. Discharge overcurrent detection voltage (Test circuit 2)

Discharge overcurrent detection voltage (V_{DIOV}) is defined as the voltage V2 whose delay time for changing V_{DO} from "H" to "L" is discharge overcurrent detection delay time (t_{DIOV}) when the voltage V2 is increased from the starting conditions of $V1 = 3.4$ V, $V2 = V5 = 0$ V.

4. Load short-circuiting detection voltage (Test circuit 2)

Load short-circuiting detection voltage (V_{SHORT}) is defined as the voltage V2 whose delay time for changing V_{DO} from "H" to "L" is load short-circuiting detection delay time (t_{SHORT}) when the voltage V2 is increased from the starting conditions of $V1 = 3.4$ V, $V2 = V5 = 0$ V.

5. Charge overcurrent detection voltage (Test circuit 2)

Charge overcurrent detection voltage (V_{CIOV}) is defined as the voltage V2 whose delay time for changing V_{CO} from "H" to "L" is charge overcurrent detection delay time (t_{CIOV}) when the voltage V2 is decreased from the starting conditions of $V1 = 3.4$ V, $V2 = V5 = 0$ V.

6. Current consumption during operation (Test circuit 3)

The current consumption during operation (I_{OPE}) is the current that flows through the VDD pin (I_{DD}) under the set conditions of $V1 = 3.4$ V, $V2 = V5 = 0$ V.

7. Current consumption during power-down, current consumption during overdischarge (Test circuit 3)

7. 1 With power-down function

The current consumption during power-down (I_{PDN}) is I_{DD} under the set conditions of $V1 = V2 = 1.5$ V, $V5 = 0$ V.

7. 2 Without power-down function

The current consumption during overdischarge (I_{OPED}) is I_{DD} under the set conditions of $V1 = V2 = 1.5$ V, $V5 = 0$ V.

8. Current consumption during discharge inhibition
(Test circuit 3)

8.1 CTL pin control logic active "L" and CTL pin internal resistance connection "pull-up"

Current consumption during discharge inhibition (I_{OPEC}) is the difference of absolute value between I_{DD} and I_{CTL} under the set conditions of $V1 = V2 = V5 = 3.4\text{ V}$.

8.2 Other function combinations

Current consumption during discharge inhibition (I_{OPEC}) is I_{DD} under the set conditions of $V1 = V2 = V5 = 3.4\text{ V}$.

9. Resistance between VM pin and VDD pin
(Test circuit 3)

Resistance between VM pin and VDD pin is R_{VMD} under the set conditions of $V1 = 1.8\text{ V}$, $V2 = V5 = 0\text{ V}$.

10. Resistance between VM pin and VSS pin (Release condition of discharge overcurrent status "load disconnection")
(Test circuit 3)

Resistance between VM pin and VSS pin is R_{VMS} under the set conditions of $V1 = 3.4\text{ V}$, $V2 = 1.0\text{ V}$, $V5 = 0\text{ V}$.

11. CTL pin internal resistance
(Test circuit 3)

11.1 CTL pin control logic active "H" and CTL pin internal resistance connection "pull-down"

Resistance between CTL pin and VSS pin is R_{CTL} under the set conditions of $V1 = V5 = 3.4\text{ V}$, $V2 = 0\text{ V}$.

11.2 CTL pin control logic active "L" and CTL pin internal resistance connection "pull-up"

Resistance between CTL pin and VDD pin is R_{CTL} under the set conditions of $V1 = V5 = 3.4\text{ V}$, $V2 = 0\text{ V}$.

11.3 CTL pin control logic active "L" and CTL pin internal resistance connection "pull-down"

Resistance between CTL pin and VSS pin is R_{CTL} under the set conditions of $V1 = 3.4\text{ V}$, $V2 = V5 = 0\text{ V}$.

12. CO pin resistance "H"
(Test circuit 4)

The CO pin resistance "H" (R_{COH}) is the resistance between VDD pin and CO pin under the set conditions of $V1 = 3.4\text{ V}$, $V2 = 0\text{ V}$, $V3 = 3.0\text{ V}$.

13. CO pin resistance "L"
(Test Circuit 4)

The CO pin resistance "L" (R_{COL}) is the resistance between VM pin and CO pin under the set conditions of $V1 = 4.6\text{ V}$, $V2 = 0\text{ V}$, $V3 = 0.4\text{ V}$.

14. DO pin resistance "H"
(Test circuit 4)

The DO pin resistance "H" (R_{DOH}) is the resistance between VDD pin and DO pin under the set conditions of $V1 = 3.4\text{ V}$, $V2 = 0\text{ V}$, $V4 = 3.0\text{ V}$.

15. DO pin resistance "L"
(Test circuit 4)

The DO pin resistance "L" (R_{DOL}) is the resistance between VSS pin and DO pin under the set conditions of $V1 = 1.8\text{ V}$, $V2 = 0\text{ V}$, $V4 = 0.4\text{ V}$.

16. CTL pin voltage "H", CTL pin voltage "L"
(Test circuit 2)

16.1 CTL pin control logic active "H"

The CTL pin voltage "H" (V_{CTLH}) is defined as the voltage V5 at which V_{DO} goes from "H" to "L" when the voltage V5 is gradually increased under the set conditions of $V1 = 3.4\text{ V}$, $V2 = V5 = 0\text{ V}$. After that, the CTL pin voltage "L" ($V_{CTL L}$) is defined as the voltage V5 at which V_{DO} goes from "L" to "H" after V5 is gradually decreased.

16.2 CTL pin control logic active "L"

The CTL pin voltage "L" ($V_{CTL L}$) is defined as the voltage difference between the voltage V5 and the voltage V1 ($V1 - V5$) at which V_{DO} goes from "H" to "L" when the voltage V5 is gradually increased under the set conditions of $V1 = 3.4\text{ V}$, $V2 = V5 = 0\text{ V}$. After that, the CTL pin voltage "H" (V_{CTLH}) is defined as the voltage difference between $V1 - V5$ at which V_{DO} goes from "L" to "H" after V5 is gradually decreased.

17. Overcharge detection delay time
(Test circuit 5)

The overcharge detection delay time (t_{CU}) is the time needed for V_{CO} to go to "L" after the voltage V1 increases and exceeds V_{CU} under the set condition of $V1 = 3.4\text{ V}$, $V2 = V5 = 0\text{ V}$.

18. Overdischarge detection delay time
(Test circuit 5)

The overdischarge detection delay time (t_{DL}) is the time needed for V_{DO} to go to "L" after the voltage V1 decreases and falls below V_{DL} under the set condition of $V1 = 3.4\text{ V}$, $V2 = V5 = 0\text{ V}$.

19. Discharge overcurrent detection delay time
(Test circuit 5)

t_{DIOV} is the time needed for V_{DO} to go to "L" after the voltage V2 increases and exceeds V_{DIOV} under the set conditions of $V1 = 3.4\text{ V}$, $V2 = V5 = 0\text{ V}$.

20. Load short-circuiting detection delay time
(Test circuit 5)

t_{SHORT} is the time needed for V_{DO} to go to "L" after the voltage V2 increases and exceeds V_{SHORT} under the set conditions of $V1 = 3.4\text{ V}$, $V2 = V5 = 0\text{ V}$.

21. Charge overcurrent detection delay time
(Test circuit 5)

t_{CIOV} is the time needed for V_{CO} to go to "L" after the voltage V2 decreases and falls below V_{CIOV} under the set condition of $V1 = 3.4\text{ V}$, $V2 = V5 = 0\text{ V}$.

22. Discharge inhibition delay time
(Test circuit 5)

22.1 CTL pin control logic active "H"

Discharge inhibition delay time (t_{CTL}) is the time needed for V_{DO} to go to "L" after the voltage V5 increases and exceeds V_{CTLH} under the set conditions of $V1 = 3.4\text{ V}$, $V2 = V5 = 0\text{ V}$.

22.2 CTL pin control logic active "L"

Discharge inhibition delay time (t_{CTL}) is the time needed for V_{DO} to go to "L" after the voltage V5 increases and $V1 - V5$ falls below $V_{CTL L}$ under the set conditions of $V1 = 3.4\text{ V}$, $V2 = V5 = 0\text{ V}$.

**23. 0 V battery charge starting charger voltage (0 V battery charge function "available")
(Test circuit 2)**

The 0 V battery charge starting charger voltage (V_{0CHA}) is defined as absolute value of the voltage V2 at which V_{CO} goes to "H" ($V_{CO} = V_{DD}$) when the voltage V2 is gradually decreased under the set condition of $V1 = V2 = V5 = 0$ V.

**24. 0 V battery charge inhibition battery voltage (0 V battery charge function "unavailable")
(Test circuit 2)**

The 0 V battery charge inhibition battery voltage (V_{0INH}) is defined as the voltage V1 at which V_{CO} goes to "H" ($V_{CO} = V_{DD}$) when the voltage V1 is gradually increased under the set condition of $V1 = V5 = 0$ V, $V2 = -4.0$ V.

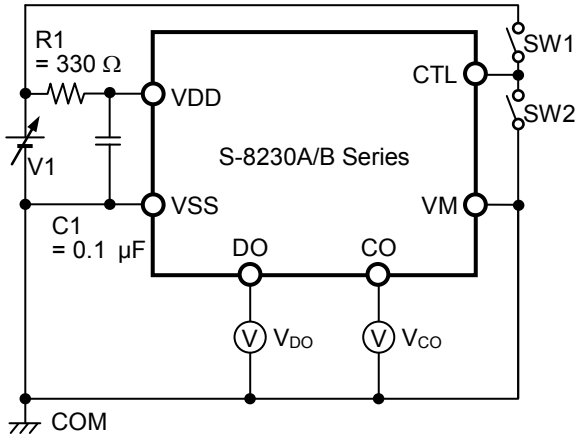


Figure 4 Test Circuit 1

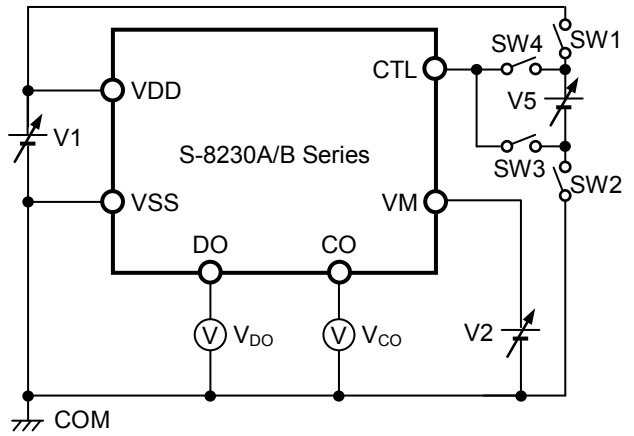


Figure 5 Test Circuit 2

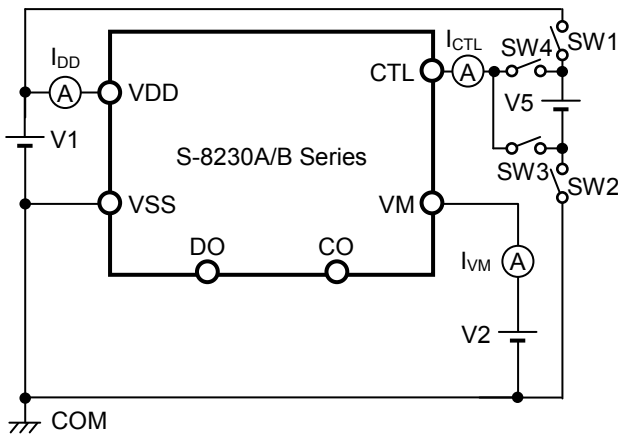


Figure 6 Test Circuit 3

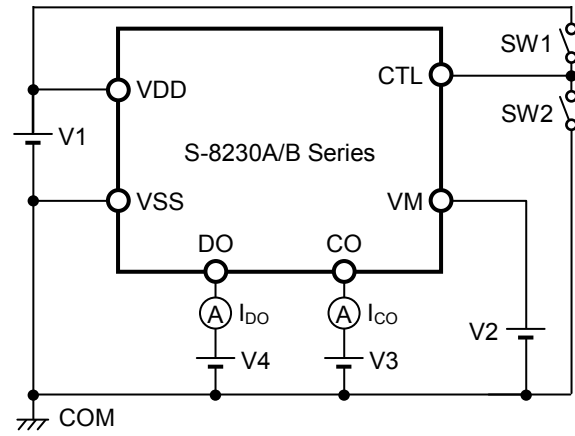


Figure 7 Test Circuit 4

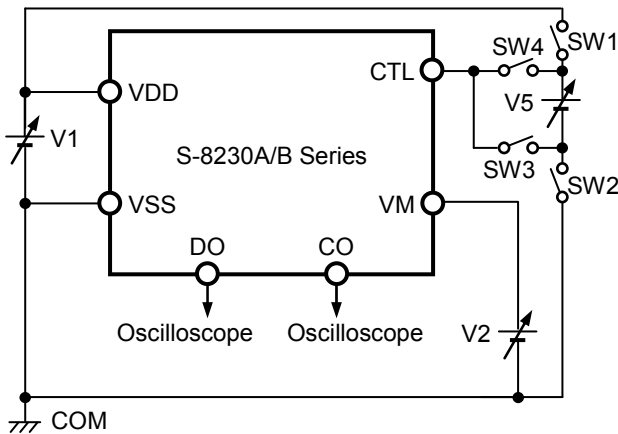


Figure 8 Test Circuit 5

■ Operation

Remark Refer to "■ Battery Protection IC Connection Example".

1. Normal status

The S-8230A/B Series monitors the voltage of the battery connected between the VDD pin and VSS pin, the voltage between the VM pin and VSS pin and the voltage between the CTL pin and VSS pin to control charging and discharging.

1.1 CTL pin control logic active "H"

When the battery voltage is in the range from the overdischarge detection voltage (V_{DL}) to the overcharge detection voltage (V_{CU}), and the VM pin voltage is in the range from the charge overcurrent detection voltage (V_{CIOV}) to the discharge overcurrent detection voltage (V_{DIOV}), the S-8230A/B Series turns both the charge and discharge control FETs on if the CTL pin voltage is equal to or lower than the CTL pin voltage "L" (V_{CTLH}). This condition is called the normal status, and in this condition charging and discharging can be carried out freely.

The resistance between the VM pin and VDD pin (R_{VMD}) and the resistance between the VM pin and VSS pin (R_{VMS}) are not connected in the normal status.

1.2 CTL pin control logic active "L"

When the battery voltage is in the range from the overdischarge detection voltage (V_{DL}) to the overcharge detection voltage (V_{CU}), and the VM pin voltage is in the range from the charge overcurrent detection voltage (V_{CIOV}) to the discharge overcurrent detection voltage (V_{DIOV}), the S-8230A/B Series turns both the charge and discharge control FETs on if the CTL pin voltage is equal to or higher than the CTL pin voltage "H" (V_{CTLH}). This condition is called the normal status, and in this condition charging and discharging can be carried out freely.

The resistance between the VM pin and VDD pin (R_{VMD}) and the resistance between the VM pin and VSS pin (R_{VMS}) are not connected in the normal status.

Caution When the battery is connected for the first time, the S-8230A/B Series may not be in the normal status. In this case, short the VM pin and VSS pin, or set the VM pin voltage at the level of V_{CIOV} or more and at the level of V_{DIOV} or less by connecting the charger. The S-8230A/B Series then becomes the normal status.

2. Overcharge status

2.1 $V_{CL} \neq V_{CU}$ (Product in which overcharge release voltage differs from overcharge detection voltage)

When the battery voltage becomes higher than V_{CU} during charging in the normal status and detection continues for the overcharge detection delay time (t_{CU}) or longer, the S-8230A/B Series turns the charge control FET off to stop charging. This condition is called the overcharge status.

R_{VMD} and R_{VMS} are not connected in the overcharge status.

The overcharge status is released in the following two cases.

- (1) In the case that the VM pin voltage is lower than V_{DIOV} , the S-8230A/B Series releases the overcharge status when the battery voltage falls below overcharge release voltage (V_{CL}).
- (2) In the case that the VM pin voltage is equal to or higher than V_{DIOV} , the S-8230A/B Series releases the overcharge status when the battery voltage falls below V_{CU} .

When the discharge is started by connecting a load after the overcharge detection, the VM pin voltage rises by the V_f voltage of the parasitic diode than the VSS pin voltage, because the discharge current flows through the parasitic diode in the charge control FET. If this VM pin voltage is equal to or higher than V_{DIOV} , the S-8230A/B Series releases the overcharge status when the battery voltage is equal to or lower than V_{CU} .

Caution If the battery is charged to a voltage higher than V_{CU} and the battery voltage does not fall below V_{CU} even when a heavy load is connected, discharge overcurrent detection and load short-circuiting detection do not function until the battery voltage falls below V_{CU} . Since an actual battery has an internal impedance of tens of $m\Omega$, the battery voltage drops immediately after a heavy load that causes overcurrent is connected, and discharge overcurrent detection and load short-circuiting detection function.

2. 2 $V_{CL} = V_{CU}$ (Product in which overcharge release voltage is the same as overcharge detection voltage)

When the battery voltage becomes higher than V_{CU} during charging in the normal status and detection continues for the overcharge detection delay time (t_{CU}) or longer, the S-8230A/B Series turns the charge control FET off to stop charging. This condition is called the overcharge status.

R_{VMD} and R_{VMS} are not connected in the overcharge status.

The overcharge status is released in the following two cases.

- (1) In the case that the VM pin voltage is equal to or higher than V_{CIOV} , and is lower than V_{DIOV} , the S-8230A/B Series releases the overcharge status when the battery voltage falls below overcharge release voltage (V_{CL}).
- (2) In the case that the VM pin voltage is equal to or higher than V_{DIOV} , the S-8230A/B Series releases the overcharge status when the battery voltage falls below V_{CU} .

The discharge is started by connecting a load after the overcharge detection, the VM pin voltage rises more than the VSS pin voltage due to the V_f voltage of the parasitic diode, because the discharge current flows through the parasitic diode in the charge control FET. If this VM pin voltage is equal to or higher than V_{DIOV} , the S-8230A/B Series releases the overcharge status when the battery voltage is equal to or lower than V_{CU} .

- Caution**
1. If the battery is charged to a voltage higher than V_{CU} and the battery voltage does not fall below V_{CU} even when a heavy load is connected, discharge overcurrent detection and load short-circuiting detection do not function until the battery voltage falls below V_{CU} . Since an actual battery has an internal impedance of tens of $m\Omega$, the battery voltage drops immediately after a heavy load that causes overcurrent is connected, and discharge overcurrent detection and load short-circuiting detection function.
 2. When a charger is connected after overcharge detection, the overcharge status is not released even if the battery voltage is below V_{CL} . The overcharge status is released when the VM pin voltage goes over V_{CIOV} by removing the charger.

3. Overdischarge status

When the battery voltage falls below V_{DL} during discharging in the normal status and the detection continues for the overdischarge detection delay time (t_{DL}) or longer, the S-8230A/B Series turns the discharge control FET off to stop discharging. This condition is called the overdischarge status.

In the overdischarge status, the VM pin and VDD pin are shorted by R_{VMD} in the S-8230A/B Series. The VM pin voltage is pulled up by R_{VMD} .

When a battery in the overdischarge status is connected to a charger and provided that the VM pin voltage is lower than -0.7 V typ., the S-8230A/B Series releases the overdischarge status when the battery voltage reaches V_{DL} or higher.

When VM pin voltage is not lower than -0.7 V typ., the S-8230A/B Series releases the overdischarge status when the battery voltage reaches overdischarge release voltage (V_{DU}) or higher.

R_{VMS} is not connected in the overdischarge status.

3. 1 With power-down function

Under the overdischarge status, when voltage between the VDD pin and VM pin is 0.8 V typ. or lower, the power-down function works and the current consumption is reduced to the current consumption during power-down (I_{PDN}). By connecting a charger, the power-down function is released when the VM pin voltage is 0.7 V typ. or lower.

4. Discharge overcurrent status (Discharge overcurrent, load short-circuiting)

When a battery in the normal status is in the status where the VM pin voltage is equal to or higher than V_{DIOV} because the discharge current is equal to or higher than the specified value and the status lasts for the discharge overcurrent detection delay time (t_{DIOV}) or longer, the discharge control FET is turned off and discharging is stopped. This status is called the discharge overcurrent status.

4. 1 Release condition of discharge overcurrent status "load disconnection"

In the discharge overcurrent status, the VM pin and VSS pin are shorted by R_{VMS} in the S-8230A/B Series. However, the VM pin voltage is the VDD pin voltage due to the load as long as the load is connected. When the load is disconnected, the VM pin voltage returns to the VSS pin voltage. If the VM pin voltage returns to V_{DIOV} or lower, the S-8230A/B Series releases the discharge overcurrent status.

R_{VMD} is not connected in the discharge overcurrent status.

4. 2 Release condition of discharge overcurrent status "charger connection"

In the discharge overcurrent status, the VM pin and VDD pin are shorted by R_{VMD} in the S-8230A/B Series.

If the VM pin voltage returns to V_{DIOV} or lower by connecting a battery charger, the S-8230A/B Series releases the discharge overcurrent status.

R_{VMS} is not connected in the discharge overcurrent status.

5. Charge overcurrent status

When a battery in the normal status is in the status where the VM pin voltage is equal to or lower than V_{CIOV} because the charge current is equal to or higher than the specified value and the status lasts for the charge overcurrent detection delay time (t_{CIOV}) or longer, the charge control FET is turned off and charging is stopped. This status is called the charge overcurrent status.

The S-8230A/B Series releases the charge overcurrent status when the VM pin voltage returns to V_{CIOV} or higher by removing the charger.

The charge overcurrent detection does not function in the overdischarge status and the discharge inhibition status.

R_{VMD} and R_{VMS} are not connected in the charge overcurrent status.

6. Discharge inhibition status

6.1 CTL pin control logic active "H"

When a battery in the normal status is in the status where CTL pin voltage is equal to or higher than CTL pin voltage "H" (V_{CTLH}) and the status lasts for discharge inhibition delay time (t_{CTL}) or longer, the discharge control FET is turned off and discharging is stopped. This status is called the discharge inhibition status.

6.1.1 Discharge inhibition status latch function "available"

If CTL pin voltage is equal to or lower than CTL pin voltage "L" ($V_{CTL L}$), the S-8230A/B Series releases discharge inhibition status when the VM pin voltage becomes equal to or lower than V_{DIOV} by connecting a charger.

6.1.2 Discharge inhibition status latch function "unavailable"

The S-8230A/B Series releases discharge inhibition status when the CTL pin voltage becomes equal to or lower than $V_{CTL L}$.

6.2 CTL pin control logic active "L"

When a battery in the normal status is in the status where CTL pin voltage is equal to or lower than CTL pin voltage "L" ($V_{CTL L}$) and the status lasts for discharge inhibition delay time (t_{CTL}) or longer, the discharge control FET is turned off and discharging is stopped. This status is called the discharge inhibition status.

6.2.1 Discharge inhibition status latch function "available"

If CTL pin voltage is equal to or higher than CTL pin voltage "H" (V_{CTLH}), the S-8230A/B Series releases discharge inhibition status when the VM pin voltage becomes equal to or lower than V_{DIOV} by connecting a charger.

6.2.2 Discharge inhibition status latch function "unavailable"

The S-8230A/B Series releases discharge inhibition status when the CTL pin voltage becomes equal to or higher than V_{CTLH} .

In discharge inhibition status, if the battery voltage exceeds V_{CU} by connecting a charger, the S-8230A/B Series releases discharge inhibition status.

The CTL pin is shorted to the VDD pin or VSS pin by the CTL pin internal resistance (R_{CTL}) in the S-8230A/B Series. When the voltage between the VDD pin and VM pin is 0.8 V typ. or lower in the overdischarge status, R_{CTL} is disconnected and the input and output current to the CTL pin is cut off.

The discharge control by the CTL pin does not function in the overcharge status and the charge overcurrent status.

In the discharge inhibition status, the VM pin and VDD pin are shorted by R_{VMD} in the S-8230A/B Series.

7. 0 V battery charge function "available"

This function is used to recharge a connected battery whose voltage is 0 V due to self-discharge. When the 0 V battery charge starting charger voltage (V_{0CHA}) or a higher voltage is applied between the EB+ pin and EB- pin by connecting a charger, the charge control FET gate is fixed to the VDD pin voltage. When the voltage between the gate and source of the charge control FET becomes equal to or higher than the threshold voltage due to the charger voltage, the charge control FET is turned on to start charging. At this time, the discharge control FET is off and the charge current flows through the internal parasitic diode in the discharge control FET. When the battery voltage becomes equal to or higher than V_{DU} , the S-8230A/B Series enters the normal status.

- Caution**
1. Some battery providers do not recommend charging for a completely self-discharged battery. Please ask the battery provider to determine whether to enable or inhibit the 0 V battery charge function.
 2. The 0 V battery charge function has higher priority than the charge overcurrent detection function. Consequently, a product in which use of the 0 V battery charge function is enabled charges a battery forcibly and the charge overcurrent cannot be detected when the battery voltage is lower than V_{DL} .

8. 0 V battery charge function "unavailable"

This function inhibits recharging when a battery that is internally short-circuited (0 V battery) is connected. When the battery voltage is the 0 V battery charge inhibition battery voltage (V_{0INH}) or lower, the charge control FET gate is fixed to the EB- pin voltage to inhibit charging. When the battery voltage is V_{0INH} or higher, charging can be performed.

Caution Some battery providers do not recommend charging for a completely self-discharged battery. Please ask the battery provider to determine whether to enable or inhibit the 0 V battery charge function.

9. Delay circuit

The detection delay times are determined by dividing a clock of approximately 4 kHz by the counter.

Remark t_{DIOV} and t_{SHORT} start when V_{DIOV} is detected. When V_{SHORT} is detected over t_{SHORT} after V_{DIOV} , the S-8230A/B Series turns the discharge control FET off within t_{SHORT} from the time of detecting V_{SHORT} .

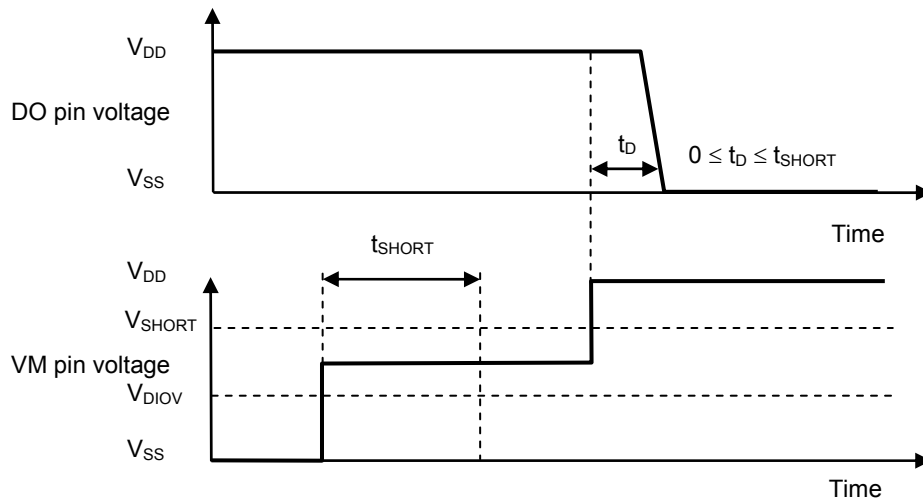
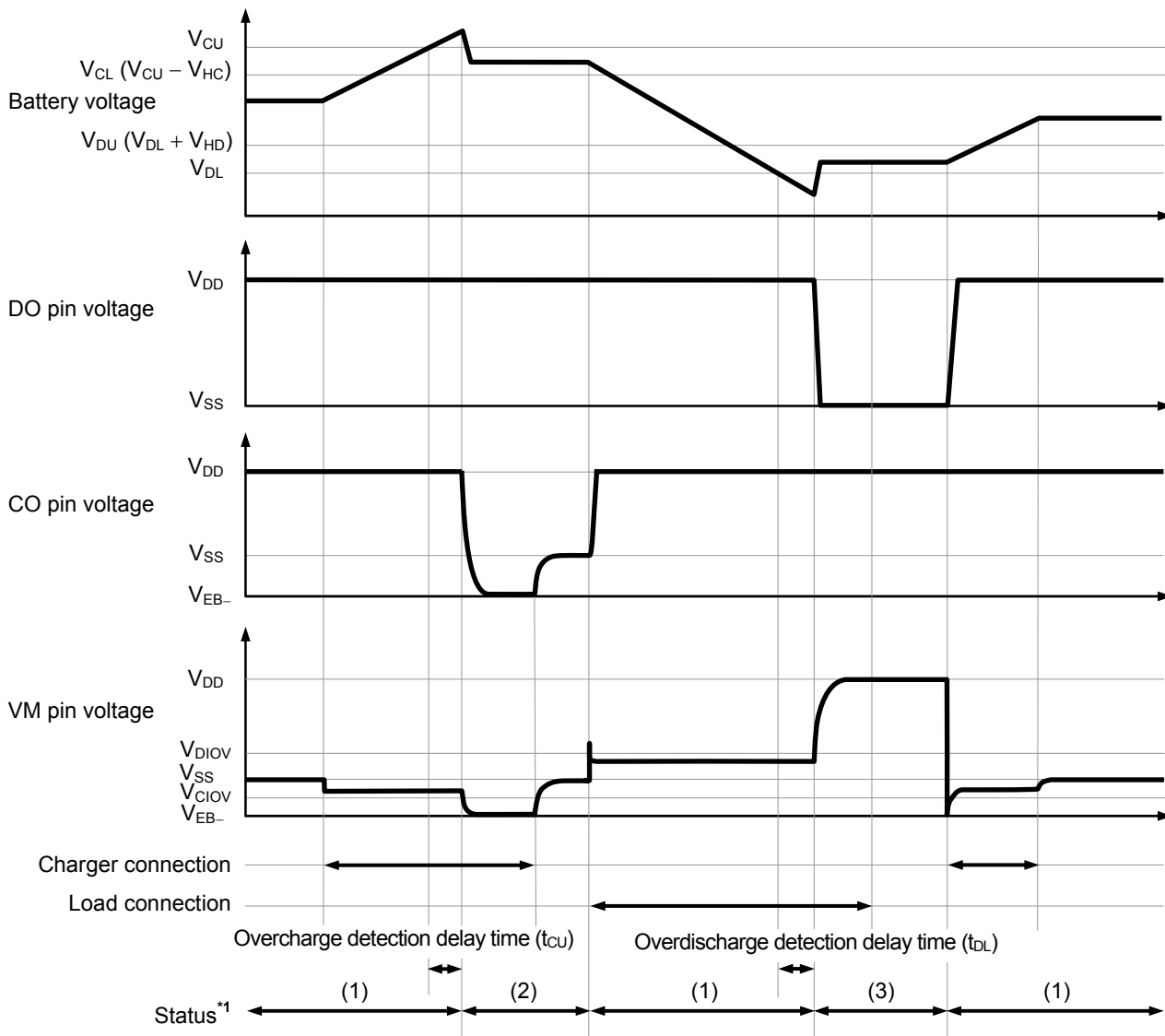


Figure 9

■ **Timing Chart**

1. **Overcharge detection, overdischarge detection**



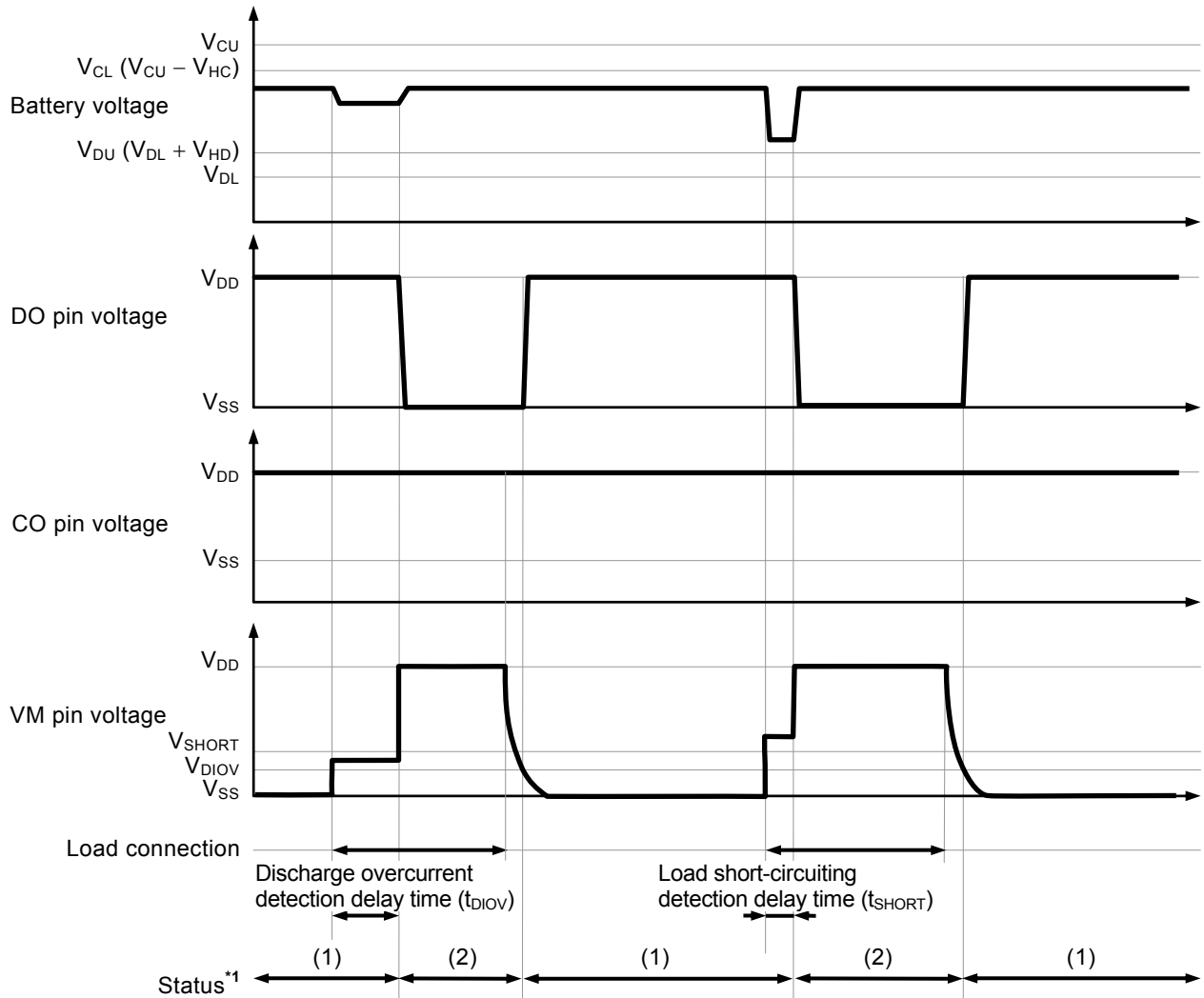
- *1. (1): Normal status
 (2): Overcharge status
 (3): Overdischarge status

Remark The charger is assumed to charge with a constant current.

Figure 10

2. Discharge overcurrent detection

2.1 Release condition of discharge overcurrent status "load disconnection"

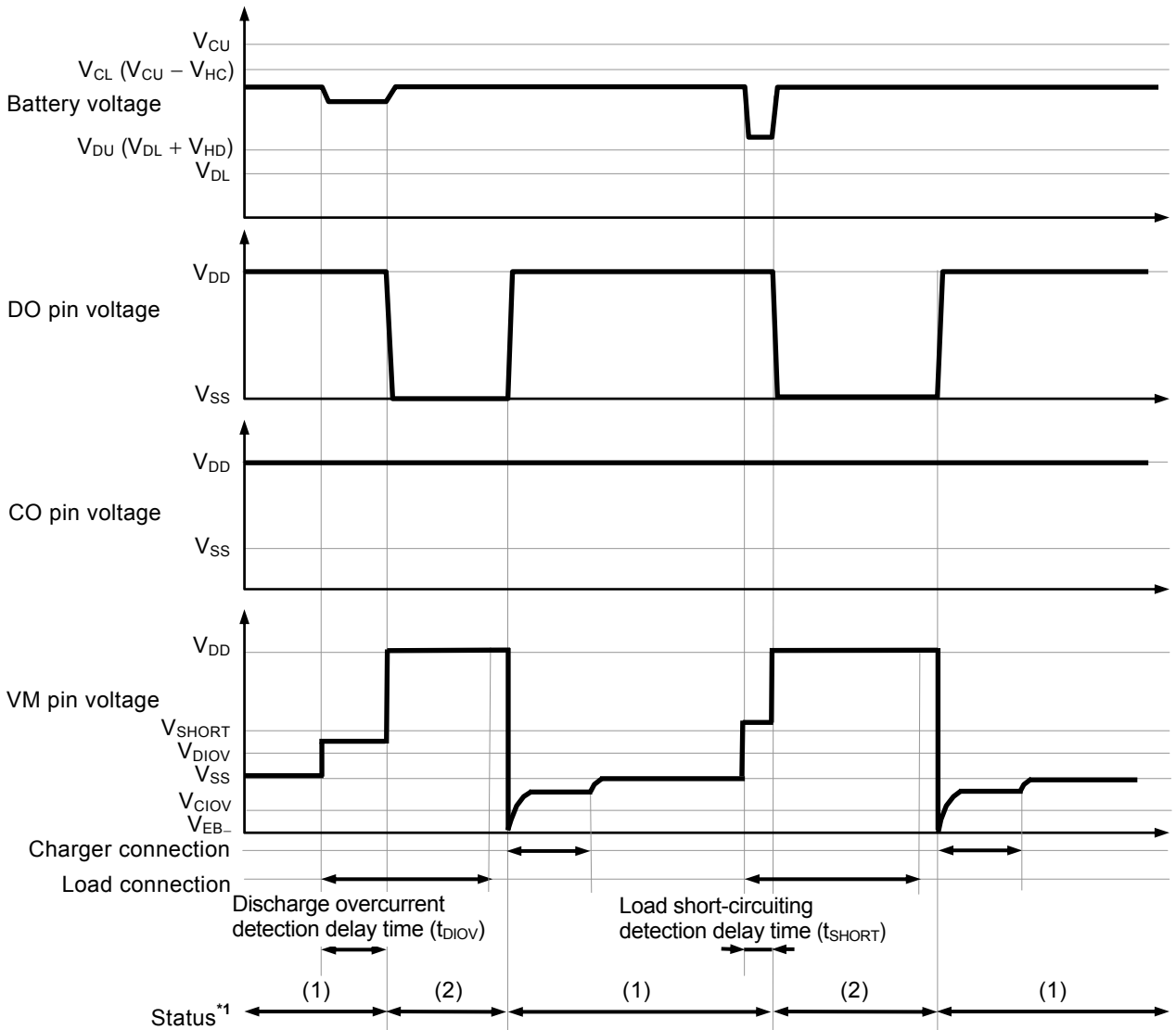


*1. (1): Normal status
(2): Discharge overcurrent status

Remark The charger is assumed to charge with a constant current.

Figure 11

2.2 Release condition of discharge overcurrent status "charger connection"

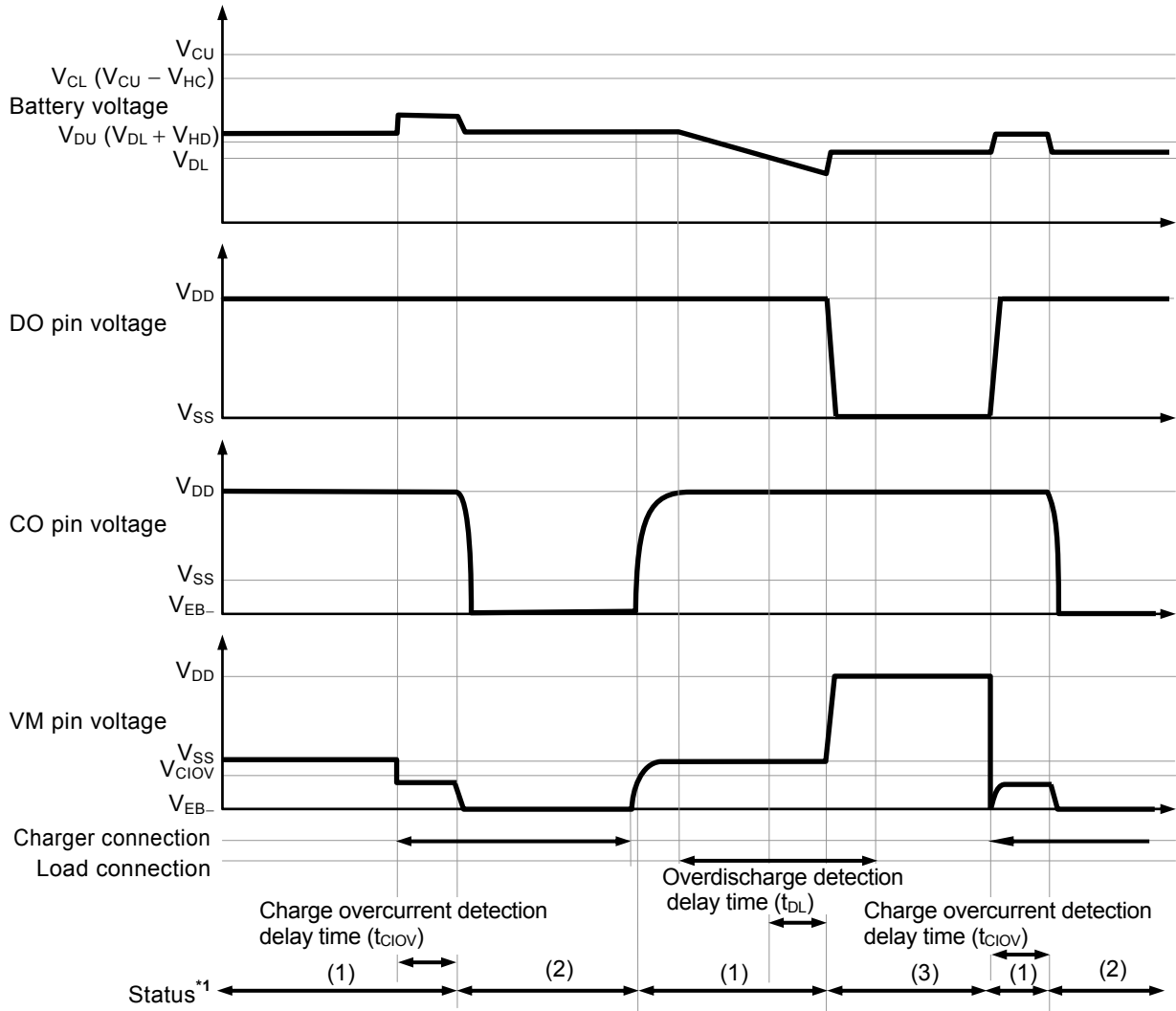


*1. (1): Normal status
 (2): Discharge overcurrent status

Remark The charger is assumed to charge with a constant current.

Figure 12

3. Charge overcurrent detection



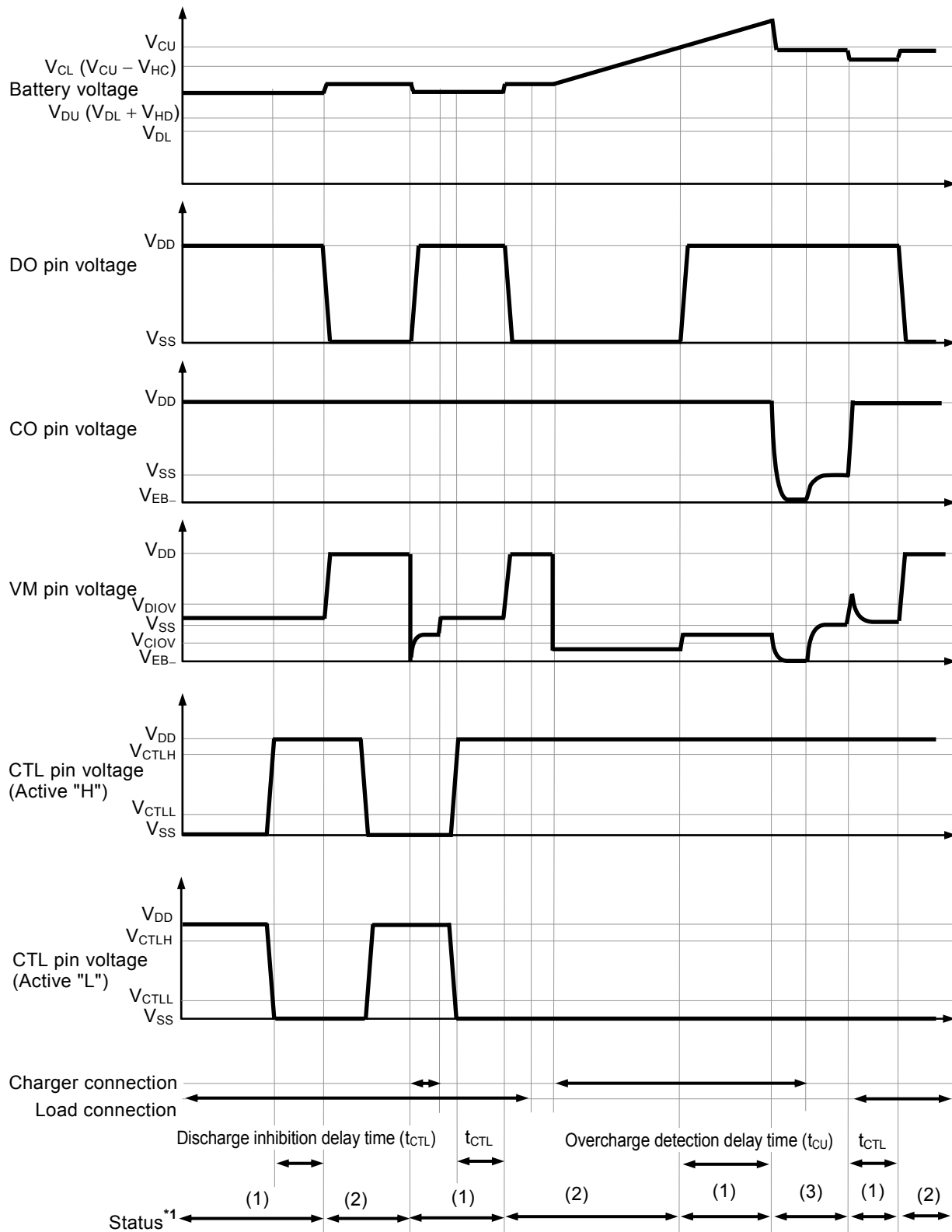
- *1. (1): Normal status
- (2): Charge overcurrent status
- (3): Overdischarge status

Remark The charger is assumed to charge with a constant current.

Figure 13

4. Discharge inhibition operation

4.1 Discharge inhibition status latch function "available"

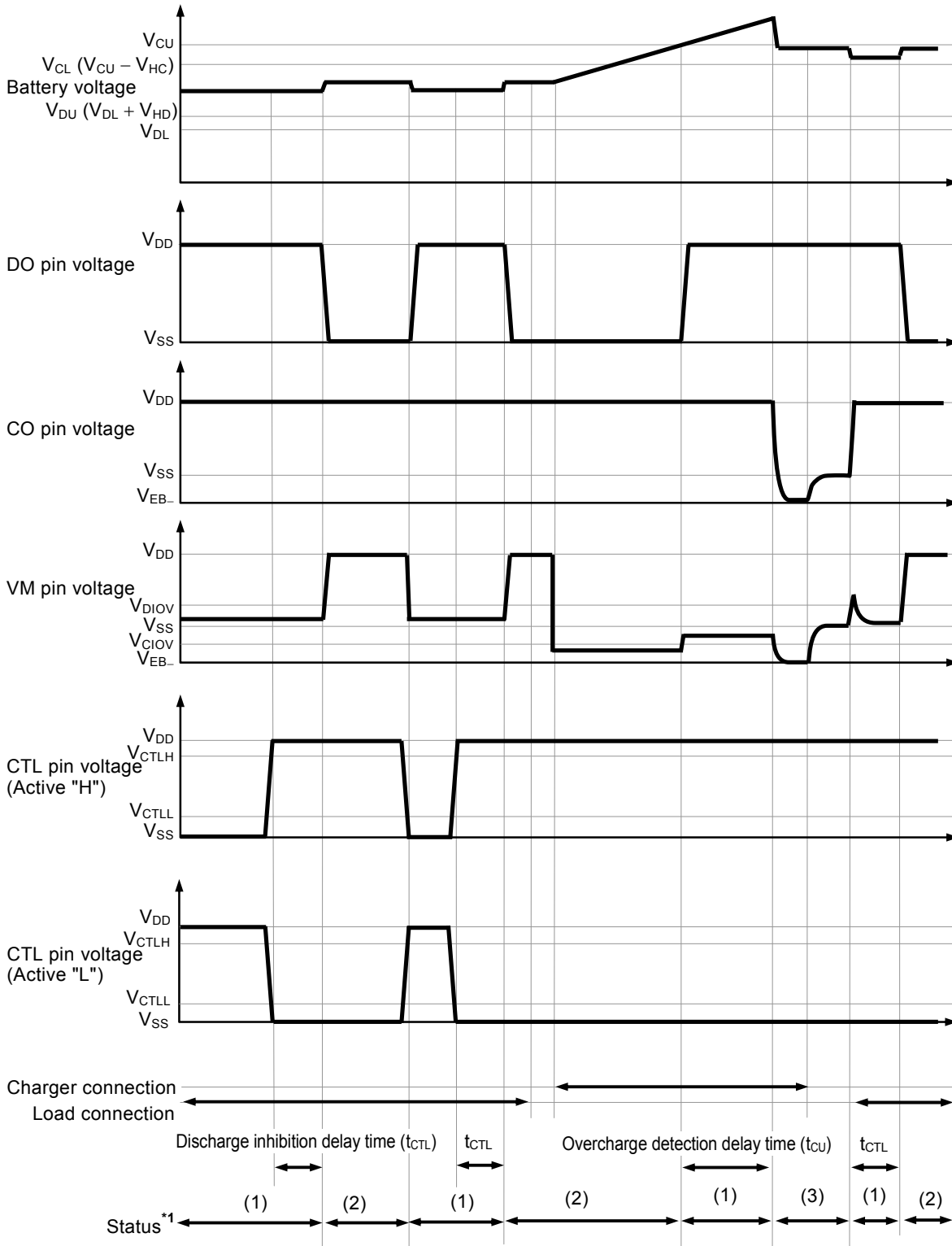


- *1. (1): Normal status
- (2): Discharge inhibition status
- (3): Overcharge status

Remark The charger is assumed to charge with a constant current.

Figure 14
ABLIC Inc.

4.2 Discharge inhibition status latch function "unavailable"



- *1. (1): Normal status
 (2): Discharge inhibition status
 (3): Overcharge status

Remark The charger is assumed to charge with a constant current.

Figure 15

■ Battery Protection IC Connection Example

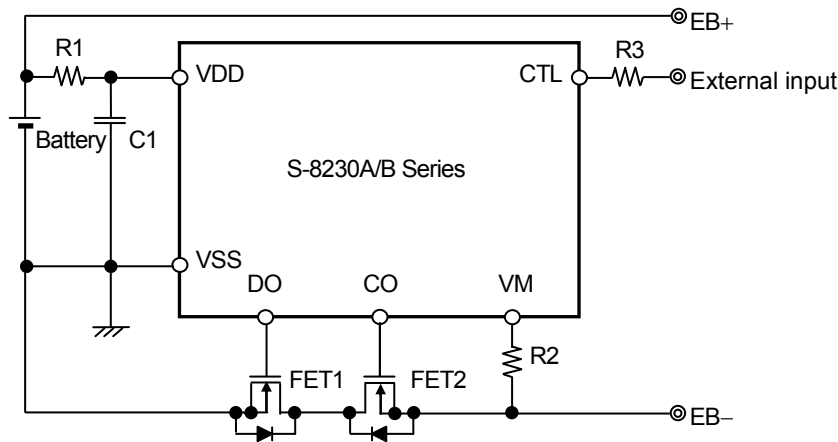


Figure 16

Table 11 Constants for External Components

| Symbol | Part | Purpose | Min. | Typ. | Max. | Remark |
|--------|-------------------|--|---------------|--------------|---------------|---|
| FET1 | N-channel MOS FET | Discharge control | - | - | - | Threshold voltage \leq Overdischarge detection voltage ^{*1} Gate to source withstand voltage \geq Charger voltage ^{*2} |
| FET2 | N-channel MOS FET | Charge control | - | - | - | Threshold voltage \leq Overdischarge detection voltage ^{*1} Gate to source withstand voltage \geq Charger voltage ^{*2} |
| R1 | Resistor | ESD protection, For power fluctuation | 150 Ω | 330 Ω | 1 k Ω | Resistance should be as small as possible to avoid worsening the overcharge detection accuracy due to current consumption. ^{*3} |
| C1 | Capacitor | For power fluctuation | 0.068 μ F | 0.1 μ F | 1.0 μ F | Connect a capacitor of 0.068 μ F or higher between VDD pin and VSS pin. ^{*4} |
| R2 | Resistor | Protection for reverse connection of a charger | 300 Ω | 2 k Ω | 4 k Ω | Select as large a resistance as possible to prevent current when a charger is connected in reverse. ^{*5} |
| R3 | Resistor | ESD protection | 1 k Ω | - | 10 k Ω | Connect a resistor of 1 k Ω or more to R3 for ESD protection. ^{*6} |

- *1. If the threshold voltage of a FET is low, the FET may not cut the charge current. If a FET with a threshold voltage equal to or higher than the overdischarge detection voltage is used, discharging may be stopped before overdischarge is detected.
- *2. If the withstand voltage between the gate and source is lower than the charger voltage, the FET may be destroyed.
- *3. An accuracy of overcharge detection voltage is guaranteed by $R1 = 330 \Omega$. Connecting resistors with other values worsen the accuracy. In case of connecting a larger resistor to R1, the voltage between the VDD pin and VSS pin may exceed the absolute maximum rating because the current flows to the S-8230A/B Series from the charger due to reverse connection of charger. Connect a resistor of 150 Ω or more to R1 for ESD protection.
- *4. When connecting a resistor less than 150 Ω to R1 or a capacitor less than 0.068 μ F to C1, the S-8230A/B Series may malfunction when power dissipation is largely fluctuated.
- *5. When a resistor more than 4 k Ω is connected to R2, the charge current may not be cut.
- *6. If the resistance of R3 is too large, the conditions of $V_{CTL} \geq V_{CTLH}$, $V_{CTL} \leq V_{CTLL}$ may not be met.

Caution 1. The above constants may be changed without notice.

- 2. It has not been confirmed whether the operation is normal or not in circuits other than the above example of connection. In addition, the example of connection shown above and the constant do not guarantee proper operation. Perform thorough evaluation using the actual application to set the constant.

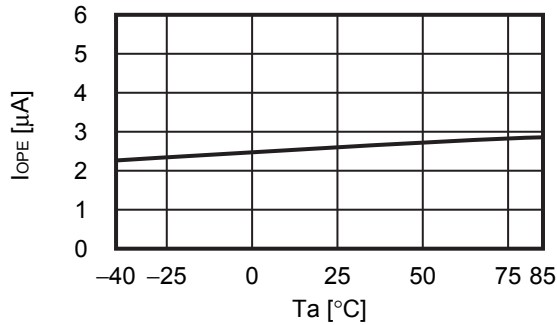
■ Precautions

- The application conditions for the input voltage, output voltage, and load current should not exceed the package power dissipation.
- Do not apply an electrostatic discharge to this IC that exceeds the performance ratings of the built-in electrostatic protection circuit.
- ABLIC Inc. claims no responsibility for any and all disputes arising out of or in connection with any infringement by products including this IC of patents owned by a third party.

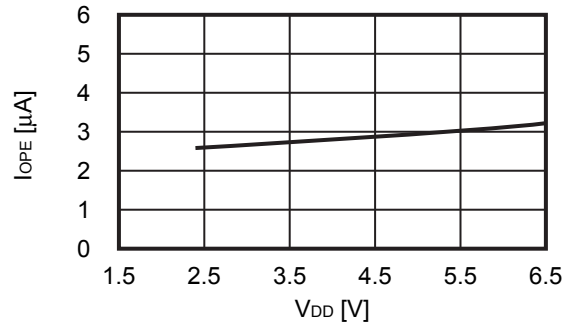
■ Characteristics (Typical Data)

1. Current consumption

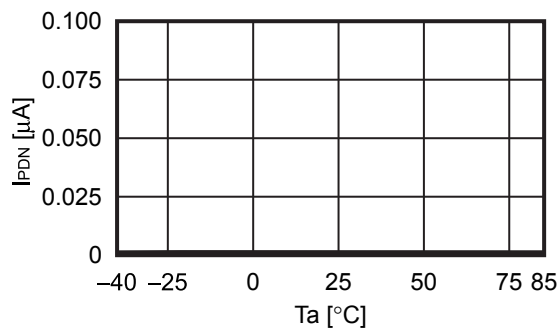
1. 1 I_{OPE} vs. T_a



1. 2 I_{OPE} vs. V_{DD}

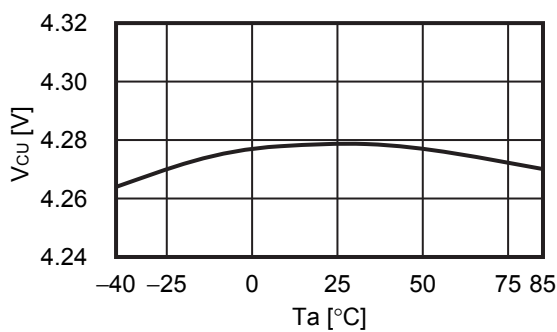


1. 3 I_{PDN} vs. T_a

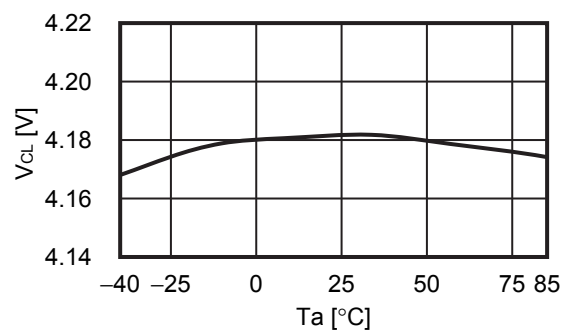


2. Detection voltage

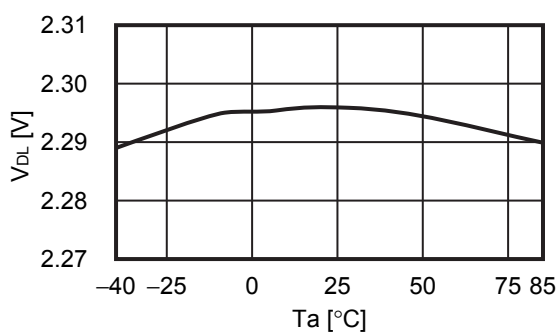
2. 1 V_{CU} vs. T_a



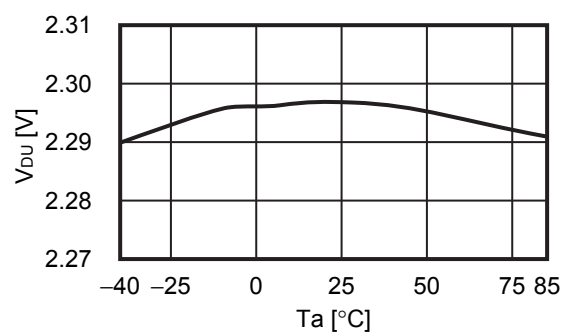
2. 2 V_{CL} vs. T_a



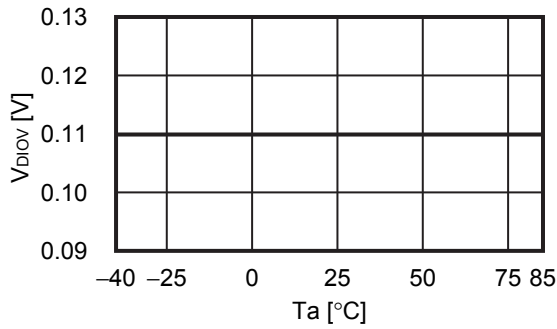
2. 3 V_{DL} vs. T_a



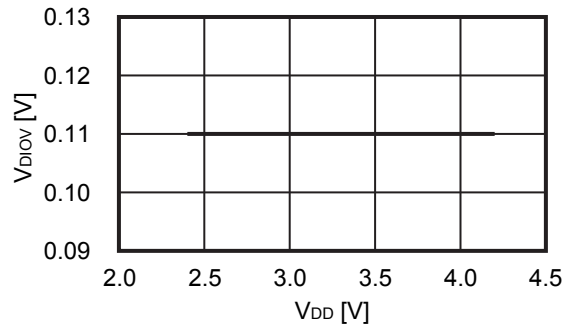
2. 4 V_{DU} vs. T_a



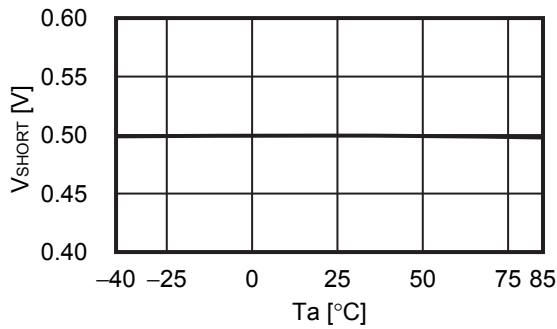
2. 5 V_{DIOV} vs. T_a



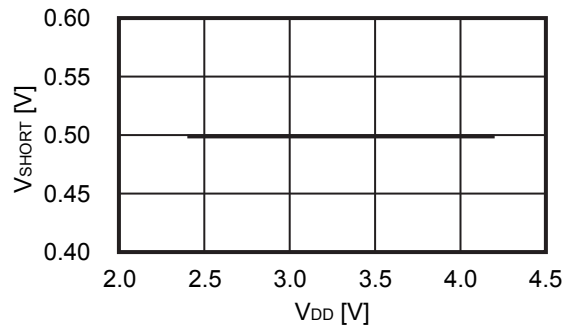
2. 6 V_{DIOV} vs. V_{DD}



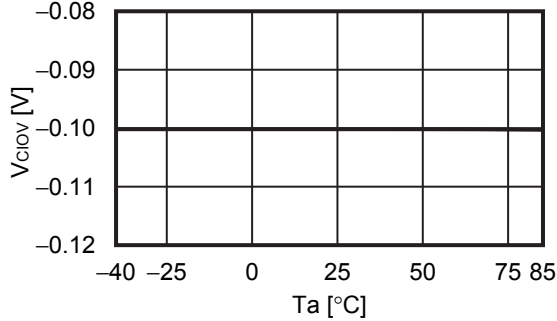
2. 7 V_{SHORT} vs. T_a



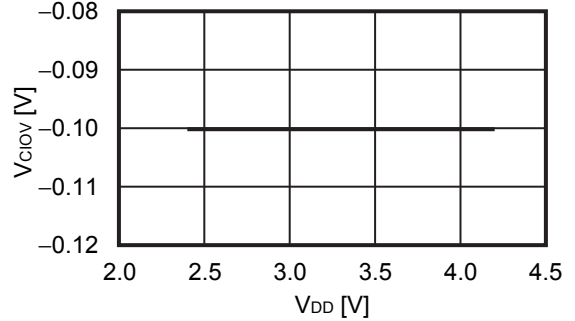
2. 8 V_{SHORT} vs. V_{DD}



2. 9 V_{CLOV} vs. T_a

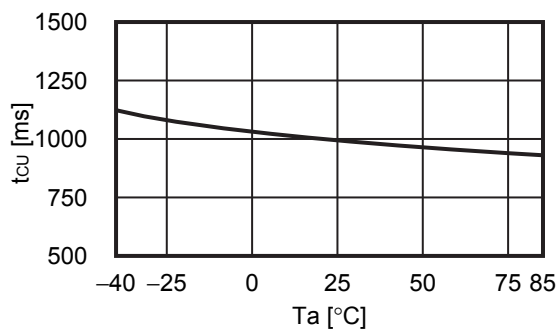


2. 10 V_{CLOV} vs. V_{DD}

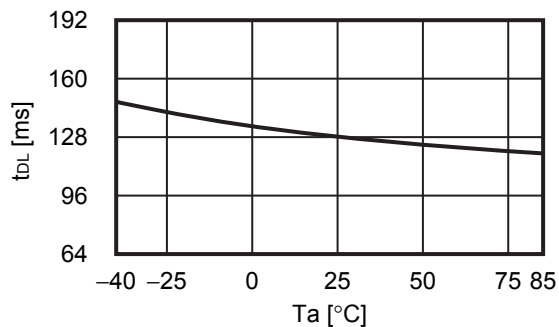


3. Delay time

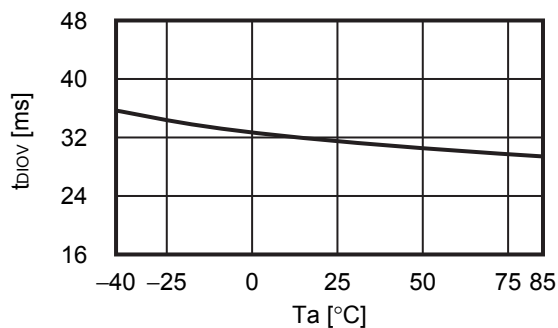
3.1 t_{CU} vs. T_a



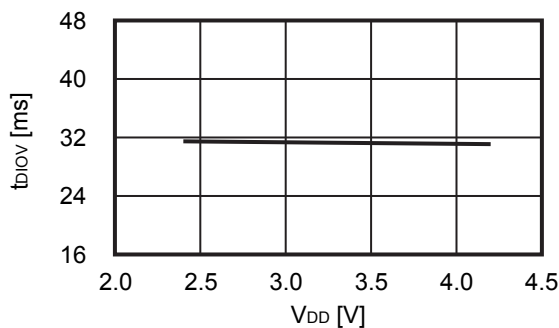
3.2 t_{DL} vs. T_a



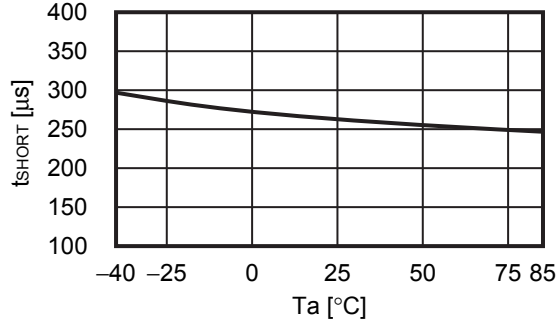
3.3 t_{DIOV} vs. T_a



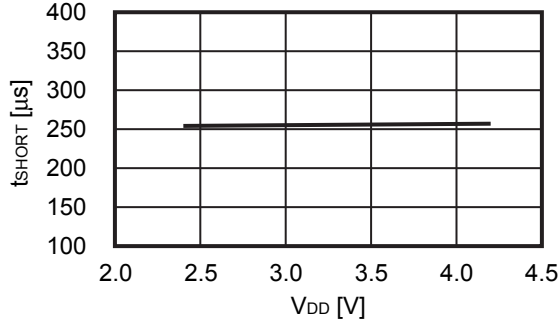
3.4 t_{DIOV} vs. V_{DD}



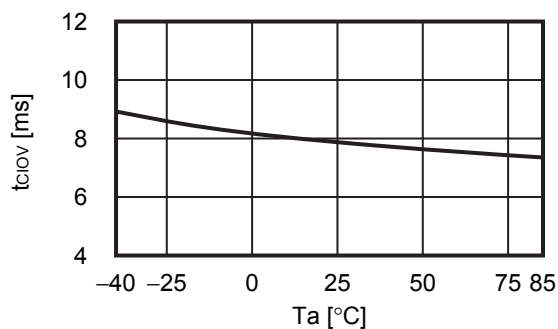
3.5 t_{SHORT} vs. T_a



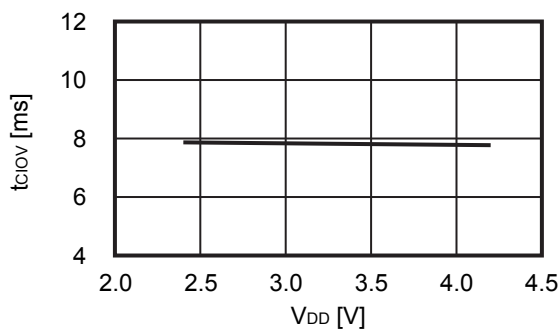
3.6 t_{SHORT} vs. V_{DD}



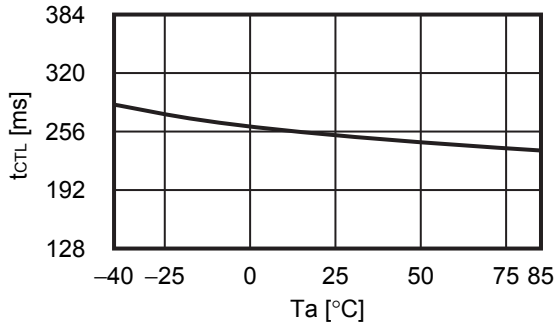
3.7 t_{CIOV} vs. T_a



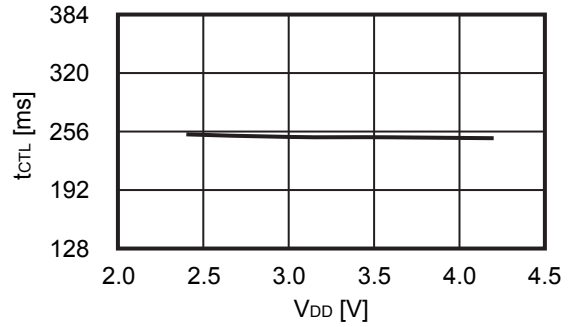
3.8 t_{CIOV} vs. V_{DD}



3.9 t_{CTL} vs. T_a

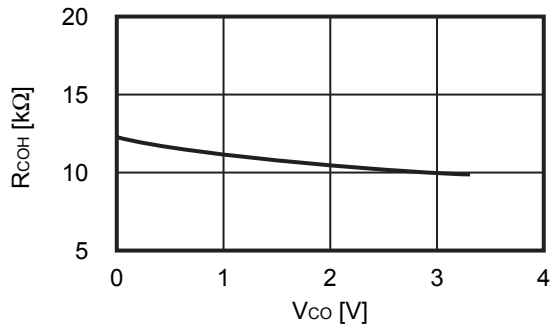


3.10 t_{CTL} vs. V_{DD}

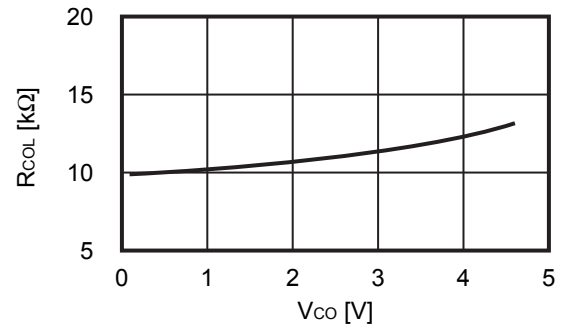


4. Output resistance

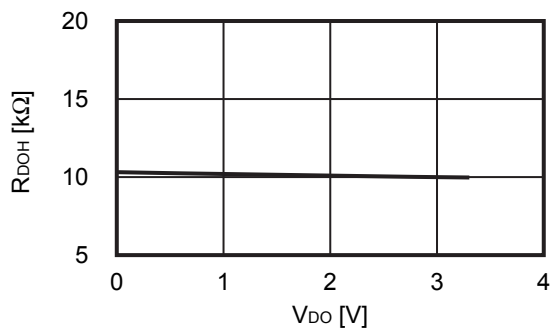
4.1 R_{COH} vs. V_{CO}



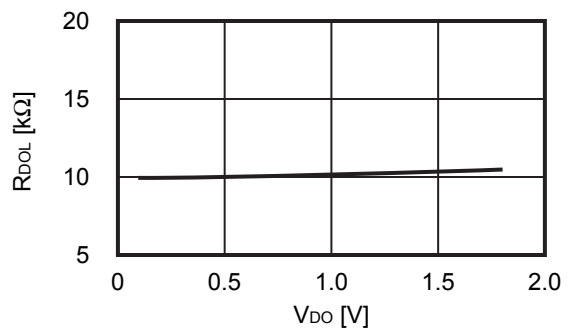
4.2 R_{COL} vs. V_{CO}



4.3 R_{DOH} vs. V_{DO}

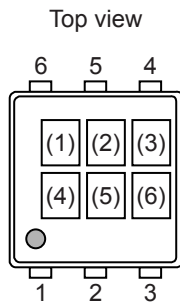


4.4 R_{DOL} vs. V_{DO}



■ **Marking Specification**

1. **SNT-6A**



(1) to (3): Product code (refer to **Product name vs. Product code**)
 (4) to (6): Lot number

Product name vs. Product code

1.1 **S-8230A Series**

| Product Name | Product Code | | |
|-----------------|--------------|-----|-----|
| | (1) | (2) | (3) |
| S-8230AAD-I6T1U | Y | 8 | D |
| S-8230AAE-I6T1U | Y | 8 | E |
| S-8230AAF-I6T1U | Y | 8 | F |

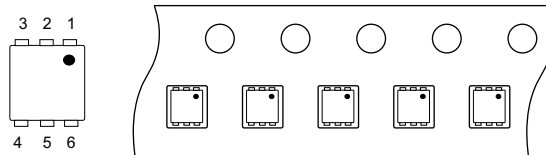
1.2 **S-8230B Series**

| Product Name | Product Code | | |
|-----------------|--------------|-----|-----|
| | (1) | (2) | (3) |
| S-8230BAA-I6T1U | Y | 9 | A |
| S-8230BAB-I6T1U | Y | 9 | B |
| S-8230BAE-I6T1U | Y | 9 | D |
| S-8230BAF-I6T1U | Y | 9 | E |
| S-8230BAG-I6T1U | Y | 9 | F |



No. PG006-A-P-SD-2.1

| | |
|-------------------|-------------------------|
| TITLE | SNT-6A-A-PKG Dimensions |
| No. | PG006-A-P-SD-2.1 |
| ANGLE | |
| UNIT | mm |
| ABLIC Inc. | |



→
Feed direction

No. PG006-A-C-SD-2.0

| | |
|-------------------|-----------------------|
| TITLE | SNT-6A-A-Carrier Tape |
| No. | PG006-A-C-SD-2.0 |
| ANGLE | |
| UNIT | mm |
| | |
| ABLIC Inc. | |



Enlarged drawing in the central part



No. PG006-A-R-SD-1.0

| | | | |
|-------------------|------------------|------|-------|
| TITLE | SNT-6A-A-Reel | | |
| No. | PG006-A-R-SD-1.0 | | |
| ANGLE | | QTY. | 5,000 |
| UNIT | mm | | |
| | | | |
| ABLIC Inc. | | | |



※1. ランドパターンの幅に注意してください (0.25 mm min. / 0.30 mm typ.).
 ※2. パッケージ中央にランドパターンを広げないでください (1.30 mm ~ 1.40 mm)。

- 注意
1. パッケージのモールド樹脂下にシルク印刷やハンダ印刷などしないでください。
 2. パッケージ下の配線上のソルダーレジストなどの厚みをランドパターン表面から0.03 mm 以下にしてください。
 3. マスク開口サイズと開口位置はランドパターンと合わせてください。
 4. 詳細は "SNTパッケージ活用の手引き" を参照してください。

※1. Pay attention to the land pattern width (0.25 mm min. / 0.30 mm typ.).
 ※2. Do not widen the land pattern to the center of the package (1.30 mm ~ 1.40 mm).

- Caution**
1. Do not do silkscreen printing and solder printing under the mold resin of the package.
 2. The thickness of the solder resist on the wire pattern under the package should be 0.03 mm or less from the land pattern surface.
 3. Match the mask aperture size and aperture position with the land pattern.
 4. Refer to "SNT Package User's Guide" for details.

※1. 请注意焊盘模式的宽度 (0.25 mm min. / 0.30 mm typ.).
 ※2. 请勿向封装中间扩展焊盘模式 (1.30 mm ~ 1.40 mm)。

- 注意
1. 请勿在树脂型封装的下面印刷丝网、焊锡。
 2. 在封装下、布线上的阻焊膜厚度 (从焊盘模式表面起) 请控制在 0.03 mm 以下。
 3. 钢网的开口尺寸和开口位置请与焊盘模式对齐。
 4. 详细内容请参阅 "SNT 封装的应用指南"。

No. PG006-A-L-SD-4.1

| | |
|-------------------|----------------------------------|
| TITLE | SNT-6A-A -Land Recommendation |
| No. | PG006-A-L-SD-4.1 |
| ANGLE | |
| UNIT | mm |
| | |
| ABLIC Inc. | |

Disclaimers (Handling Precautions)

1. All the information described herein (product data, specifications, figures, tables, programs, algorithms and application circuit examples, etc.) is current as of publishing date of this document and is subject to change without notice.
2. The circuit examples and the usages described herein are for reference only, and do not guarantee the success of any specific mass-production design.
ABLIC Inc. is not liable for any losses, damages, claims or demands caused by the reasons other than the products described herein (hereinafter "the products") or infringement of third-party intellectual property right and any other right due to the use of the information described herein.
3. ABLIC Inc. is not liable for any losses, damages, claims or demands caused by the incorrect information described herein.
4. Be careful to use the products within their ranges described herein. Pay special attention for use to the absolute maximum ratings, operation voltage range and electrical characteristics, etc.
ABLIC Inc. is not liable for any losses, damages, claims or demands caused by failures and / or accidents, etc. due to the use of the products outside their specified ranges.
5. Before using the products, confirm their applications, and the laws and regulations of the region or country where they are used and verify suitability, safety and other factors for the intended use.
6. When exporting the products, comply with the Foreign Exchange and Foreign Trade Act and all other export-related laws, and follow the required procedures.
7. The products are strictly prohibited from using, providing or exporting for the purposes of the development of weapons of mass destruction or military use. ABLIC Inc. is not liable for any losses, damages, claims or demands caused by any provision or export to the person or entity who intends to develop, manufacture, use or store nuclear, biological or chemical weapons or missiles, or use any other military purposes.
8. The products are not designed to be used as part of any device or equipment that may affect the human body, human life, or assets (such as medical equipment, disaster prevention systems, security systems, combustion control systems, infrastructure control systems, vehicle equipment, traffic systems, in-vehicle equipment, aviation equipment, aerospace equipment, and nuclear-related equipment), excluding when specified for in-vehicle use or other uses by ABLIC, Inc. Do not apply the products to the above listed devices and equipments.
ABLIC Inc. is not liable for any losses, damages, claims or demands caused by unauthorized or unspecified use of the products.
9. In general, semiconductor products may fail or malfunction with some probability. The user of the products should therefore take responsibility to give thorough consideration to safety design including redundancy, fire spread prevention measures, and malfunction prevention to prevent accidents causing injury or death, fires and social damage, etc. that may ensue from the products' failure or malfunction.
The entire system in which the products are used must be sufficiently evaluated and judged whether the products are allowed to apply for the system on customer's own responsibility.
10. The products are not designed to be radiation-proof. The necessary radiation measures should be taken in the product design by the customer depending on the intended use.
11. The products do not affect human health under normal use. However, they contain chemical substances and heavy metals and should therefore not be put in the mouth. The fracture surfaces of wafers and chips may be sharp. Be careful when handling these with the bare hands to prevent injuries, etc.
12. When disposing of the products, comply with the laws and ordinances of the country or region where they are used.
13. The information described herein contains copyright information and know-how of ABLIC Inc. The information described herein does not convey any license under any intellectual property rights or any other rights belonging to ABLIC Inc. or a third party. Reproduction or copying of the information from this document or any part of this document described herein for the purpose of disclosing it to a third-party is strictly prohibited without the express permission of ABLIC Inc.
14. For more details on the information described herein or any other questions, please contact ABLIC Inc.'s sales representative.
15. This Disclaimers have been delivered in a text using the Japanese language, which text, despite any translations into the English language and the Chinese language, shall be controlling.

2.4-2019.07

Mouser Electronics

Authorized Distributor

Click to View Pricing, Inventory, Delivery & Lifecycle Information:

ABLIC:

[S-8230AAE-I6T1U](#) [S-8230BAA-I6T1U](#) [S-8230BAF-I6T1U](#) [S-8230BAB-I6T1U](#) [S-8230AAD-I6T1U](#) [S-8230AAF-I6T1U](#)
[S-8230BAE-I6T1U](#) [S-8230AAG-I6T1U](#) [S-8230BAG-I6T1U](#)



Компания «ЭлектроПласт» предлагает заключение долгосрочных отношений при поставках импортных электронных компонентов на взаимовыгодных условиях!

Наши преимущества:

- Оперативные поставки широкого спектра электронных компонентов отечественного и импортного производства напрямую от производителей и с крупнейших мировых складов;
- Поставка более 17-ти миллионов наименований электронных компонентов;
- Поставка сложных, дефицитных, либо снятых с производства позиций;
- Оперативные сроки поставки под заказ (от 5 рабочих дней);
- Экспресс доставка в любую точку России;
- Техническая поддержка проекта, помощь в подборе аналогов, поставка прототипов;
- Система менеджмента качества сертифицирована по Международному стандарту ISO 9001;
- Лицензия ФСБ на осуществление работ с использованием сведений, составляющих государственную тайну;
- Поставка специализированных компонентов (Xilinx, Altera, Analog Devices, Intersil, Interpoint, Microsemi, Aeroflex, Peregrine, Syfer, Eurofarad, Texas Instrument, Miteq, Cobham, E2V, MA-COM, Hittite, Mini-Circuits, General Dynamics и др.);

Помимо этого, одним из направлений компании «ЭлектроПласт» является направление «Источники питания». Мы предлагаем Вам помощь Конструкторского отдела:

- Подбор оптимального решения, техническое обоснование при выборе компонента;
- Подбор аналогов;
- Консультации по применению компонента;
- Поставка образцов и прототипов;
- Техническая поддержка проекта;
- Защита от снятия компонента с производства.



Как с нами связаться

Телефон: 8 (812) 309 58 32 (многоканальный)

Факс: 8 (812) 320-02-42

Электронная почта: org@eplast1.ru

Адрес: 198099, г. Санкт-Петербург, ул. Калинина, дом 2, корпус 4, литера А.