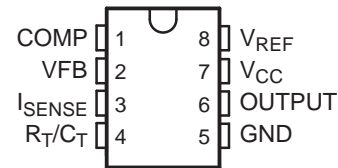


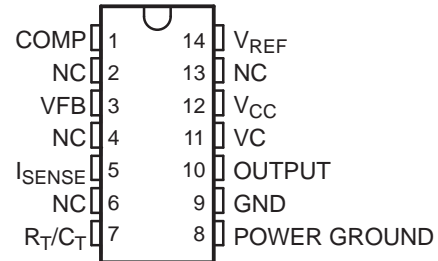
FEATURES

- **Low Start-Up Current (<0.5 mA)**
- **Trimmed Oscillator Discharge Current**
- **Current Mode Operation to 500 kHz**
- **Automatic Feed-Forward Compensation**
- **Latching PWM for Cycle-by-Cycle Current Limiting**
- **Internally Trimmed Reference With Undervoltage Lockout**
- **High-Current Totem-Pole Output Undervoltage Lockout With Hysteresis**
- **Double-Pulse Suppression**

**D (SOIC) OR P (PDIP) PACKAGE
(TOP VIEW)**



**D (SOIC) PACKAGE
(TOP VIEW)**



NC – No internal connection

DESCRIPTION/ORDERING INFORMATION

The TL284xB and TL384xB series of control integrated circuits provide the features that are necessary to implement off-line or dc-to-dc fixed-frequency current-mode control schemes, with a minimum number of external components. Internally implemented circuits include an undervoltage lockout (UVLO) and a precision reference that is trimmed for accuracy at the error amplifier input. Other internal circuits include logic to ensure latched operation, a pulse-width modulation (PWM) comparator that also provides current-limit control, and a totem-pole output stage designed to source or sink high-peak current. The output stage, suitable for driving N-channel MOSFETs, is low when it is in the off state.

The TL284xB and TL384xB series are pin compatible with the standard TL284x and TL384x with the following improvements. The start-up current is specified to be 0.5 mA (max), while the oscillator discharge current is trimmed to 8.3 mA (typ). In addition, during undervoltage lockout conditions, the output has a maximum saturation voltage of 1.2 V while sinking 10 mA ($V_{CC} = 5$ V).

Major differences between members of these series are the UVLO thresholds and maximum duty-cycle ranges. Typical UVLO thresholds of 16 V (on) and 10 V (off) on the TLx842B and TLx844B devices make them ideally suited to off-line applications. The corresponding typical thresholds for the TLx843B and TLx845B devices are 8.4 V (on) and 7.6 V (off). The TLx842B and TLx843B devices can operate to duty cycles approaching 100%. A duty-cycle range of 0% to 50% is obtained by the TLx844B and TLx845B by the addition of an internal toggle flip-flop, which blanks the output off every other clock cycle. The TL284xB-series devices are characterized for operation from -40°C to 85°C . The TL384xB-series devices are characterized for operation from 0°C to 70°C .



Please be aware that an important notice concerning availability, standard warranty, and use in critical applications of Texas Instruments semiconductor products and disclaimers thereto appears at the end of this data sheet.

TL284xB, TL384xB HIGH-PERFORMANCE CURRENT-MODE PWM CONTROLLERS

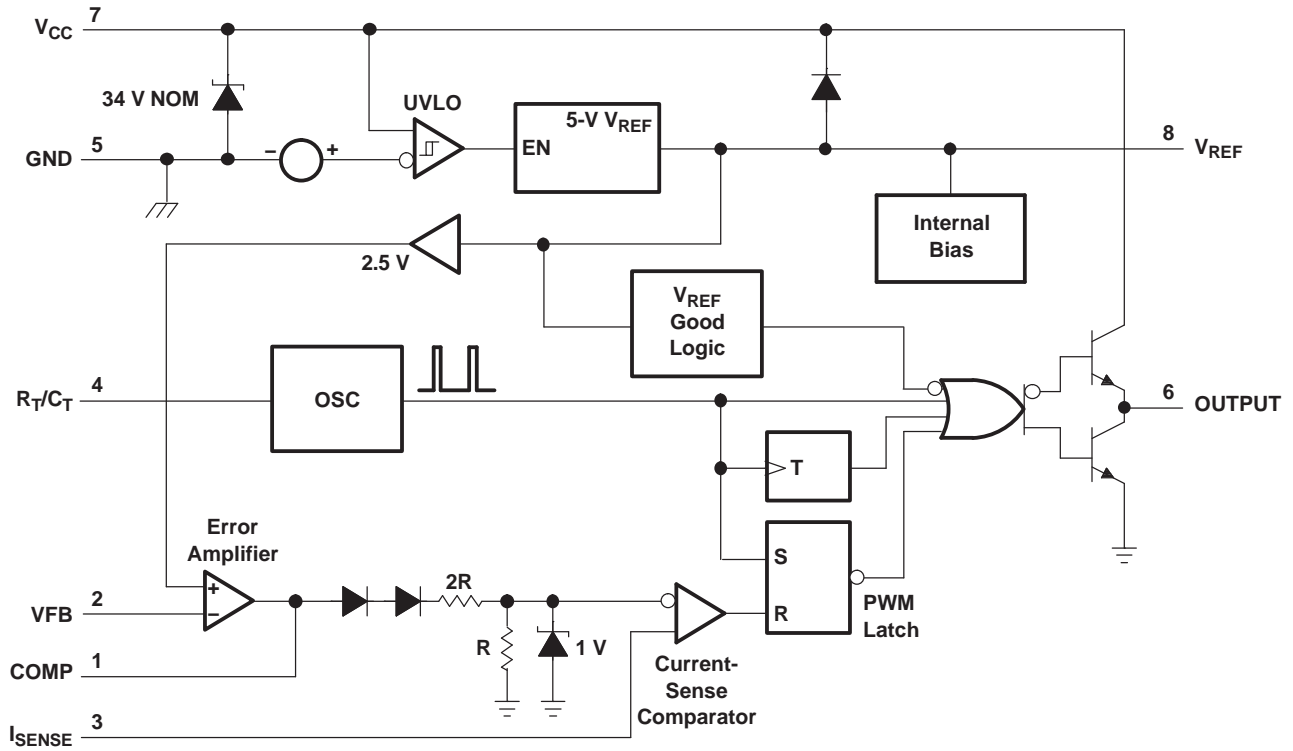
SLVS610B – AUGUST 2006 – REVISED JULY 2007

ORDERING INFORMATION

| T _A | PACKAGE ⁽¹⁾ | | ORDERABLE PART NUMBER | TOP-SIDE MARKING |
|----------------|------------------------|--------------|-----------------------|------------------|
| –40°C to 85°C | PDIP – P | Tube of 50 | TL2842BP | TL2842BP |
| | | | TL2843BP | TL2843BP |
| | | | TL2844BP | TL2844BP |
| | | | TL2845BP | TL2845BP |
| | SOIC – D (8 pin) | Tube of 75 | TL2842BD-8 | 2842B |
| | | | TL2842BDR-8 | |
| | | Reel of 2500 | TL2843BD-8 | 2843B |
| | | | TL2843BDR-8 | |
| | | Tube of 75 | TL2844BD-8 | 2844B |
| | | | TL2844BDR-8 | |
| | | Reel of 2500 | TL2845BD-8 | 2845B |
| | | | TL2845BDR-8 | |
| | SOIC – D (14 pin) | Tube of 75 | TL2842BD | TL2842B |
| | | | TL2842BDR | |
| | | Reel of 2500 | TL2843BD | TL2843B |
| | | | TL2843BDR | |
| Tube of 75 | | TL2844BD | TL2844B | |
| | | TL2844BDR | | |
| Reel of 2500 | | TL2845BD | TL2845B | |
| | | TL2845BDR | | |
| 0°C to 70°C | PDIP – P | Tube of 50 | TL3842BP | TL3842BP |
| | | | TL3843BP | TL3843BP |
| | | | TL3844BP | TL3844BP |
| | | | TL3845BP | TL3845BP |
| | SOIC – D (8 pin) | Tube of 75 | TL3842BD-8 | 3842B |
| | | | TL3842BDR-8 | |
| | | Reel of 2500 | TL3843BD-8 | 3843B |
| | | | TL3843BDR-8 | |
| | | Tube of 75 | TL3844BD-8 | 3844B |
| | | | TL3844BDR-8 | |
| | | Reel of 2500 | TL3845BD-8 | 3845B |
| | | | TL3845BDR-8 | |
| | SOIC – D (14 pin) | Tube of 75 | TL3842BD | TL3842B |
| | | | TL3842BDR | |
| | | Reel of 2500 | TL3843BD | TL3843B |
| | | | TL3843BDR | |
| Tube of 75 | | TL3844BD | TL3844B | |
| | | TL3844BDR | | |
| Reel of 2500 | | TL3845BD | TL3845B | |
| | | TL3845BDR | | |

(1) Package drawings, standard packing quantities, thermal data, symbolization, and PCB design guidelines are available at www.ti.com/sc/package.

FUNCTIONAL BLOCK DIAGRAM



A. Pin numbers shown are for the 8-pin D package.

TL284xB, TL384xB HIGH-PERFORMANCE CURRENT-MODE PWM CONTROLLERS

SLVS610B – AUGUST 2006 – REVISED JULY 2007

Absolute Maximum Ratings⁽¹⁾⁽²⁾

over operating free-air temperature range (unless otherwise noted)

| | | MIN | MAX | UNIT | |
|----------------------|---|----------------------------|---------------|------|------|
| V _{CC} | Supply voltage | Low impedance source | 30 | V | |
| | | I _{CC} < 30 mA | Self limiting | | |
| V _I | Analog input voltage range | VFB and I _{SENSE} | -0.3 | 6.3 | V |
| I _{CC} | Supply current | | 30 | mA | |
| I _O | Output current | | ±1 | A | |
| I _{O(sink)} | Error amplifier output sink current | | 10 | mA | |
| θ _{JA} | Package thermal impedance ⁽³⁾⁽⁴⁾ | D package | 8 pin | 97 | °C/W |
| | | | 14 pin | 86 | |
| | | P package | 85 | | |
| | Output energy | Capacitive load | 5 | μJ | |
| T _J | Virtual junction temperature | | 150 | °C | |
| T _{stg} | Storage temperature range | | -65 | 150 | °C |
| T _{lead} | Lead temperature | Soldering, 10 s | 300 | °C | |

- (1) Stresses beyond those listed under "absolute maximum ratings" may cause permanent damage to the device. These are stress ratings only, and functional operation of the device at these or any other conditions beyond those indicated under "recommended operating conditions" is not implied. Exposure to absolute-maximum-rated conditions for extended periods may affect device reliability.
- (2) All voltages are with respect to the device GND terminal.
- (3) Maximum power dissipation is a function of T_{J(max)}, θ_{JA}, and T_A. The maximum allowable power dissipation at any allowable ambient temperature is P_D = (T_{J(max)} - T_A)/θ_{JA}. Operating at the absolute maximum T_J of 150°C can impact reliability.
- (4) The package thermal impedance is calculated in accordance with JESD 51-7.

Recommended Operating Conditions

| | | MIN | NOM | MAX | UNIT |
|---------------------|------------------------------------|--------------------------------|------|-----|------|
| V _{CC} | Supply voltage | V _{CC} | | 30 | V |
| | | VC ⁽¹⁾ | | 30 | |
| V _I | Input voltage | R _T /C _T | 0 | 5.5 | V |
| | | VFB and I _{SENSE} | 0 | 5.5 | |
| V _O | Output voltage | OUTPUT | 0 | 30 | V |
| | | POWER GROUND ⁽¹⁾ | -0.1 | 1 | |
| I _{CC} | Supply current, externally limited | | | 25 | mA |
| I _O | Average output current | | | 200 | mA |
| I _{O(ref)} | Reference output current | | | -20 | mA |
| f _{osc} | Oscillator frequency | | 100 | 500 | kHz |
| T _J | Operating free-air temperature | TL284xB | -40 | 85 | °C |
| | | TL384xB | 0 | 70 | |

- (1) The recommended voltages for VC and POWER GROUND apply only to the 14-pin D package.

Reference Section Electrical Characteristics
 $V_{CC} = 15\text{ V}^{(1)}$, $R_T = 10\text{ k}\Omega$, $C_T = 3.3\text{ nF}$, over recommended operating free-air temperature range (unless otherwise specified)

| PARAMETER | TEST CONDITIONS | TL284xB | | | TL384xB | | | UNIT |
|---|--|---------|--------------------|------|---------|--------------------|------|----------------------|
| | | MIN | TYP ⁽²⁾ | MAX | MIN | TYP ⁽²⁾ | MAX | |
| Output voltage | $I_O = 1\text{ mA}$, $T_J = 25^\circ\text{C}$ | 4.95 | 5 | 5.05 | 4.9 | 5 | 5.1 | V |
| Line regulation | $V_{CC} = 12\text{ V}$ to 25 V | | 6 | 20 | | 6 | 20 | mV |
| Load regulation | $I_O = 1\text{ mA}$ to 20 mA | | 6 | 25 | | 6 | 25 | mV |
| Average temperature coefficient of output voltage | | | 0.2 | 0.4 | | 0.2 | 0.4 | mV/ $^\circ\text{C}$ |
| Output voltage, worst-case variation | $V_{CC} = 12\text{ V}$ to 25 V , $I_O = 1\text{ mA}$ to 20 mA | 4.9 | | 5.1 | 4.82 | | 5.18 | V |
| Output noise voltage | $f = 10\text{ Hz}$ to 10 kHz , $T_J = 25^\circ\text{C}$ | | 50 | | | 50 | | μV |
| Output-voltage long-term drift | After 1000 h at $T_J = 25^\circ\text{C}$ | | 5 | 25 | | 5 | 25 | mV |
| Short-circuit output current | | -30 | -100 | -180 | -30 | -100 | -180 | mA |

 (1) Adjust V_{CC} above the start threshold before setting it to 15 V.

 (2) All typical values are at $T_J = 25^\circ\text{C}$.

Oscillator Section⁽¹⁾ Electrical Characteristics
 $V_{CC} = 15\text{ V}^{(2)}$, $R_T = 10\text{ k}\Omega$, $C_T = 3.3\text{ nF}$, over recommended operating free-air temperature range (unless otherwise specified)

| PARAMETER | TEST CONDITIONS | TL284xB | | | TL384xB | | | UNIT |
|-----------------------|--|---------|--------------------|-----|---------|--------------------|-----|------|
| | | MIN | TYP ⁽³⁾ | MAX | MIN | TYP ⁽³⁾ | MAX | |
| Initial accuracy | $T_J = 25^\circ\text{C}$ | 49 | 52 | 55 | 49 | 52 | 55 | kHz |
| | $T_A = T_{\text{low}}$ to T_{high} | | 48 | 56 | | 48 | 56 | |
| | $T_J = 25^\circ\text{C}$, $R_T = 6.2\text{ k}\Omega$, $C_T = 1\text{ nF}$ | 225 | 250 | 275 | 225 | 250 | 275 | |
| Voltage stability | $V_{CC} = 12\text{ V}$ to 25 V | | 0.2 | 1 | | 0.2 | 1 | % |
| Temperature stability | | | 5 | | | 5 | | % |
| Amplitude | Peak to peak | | 1.7 | | | 1.7 | | V |
| Discharge current | $T_J = 25^\circ\text{C}$, $R_T/C_T = 2\text{ V}$ | 7.8 | 8.3 | 8.8 | 7.8 | 8.3 | 8.8 | mA |
| | $R_T/C_T = 2\text{ V}$ | | 7.5 | 8.8 | | 7.6 | 8.8 | |

(1) Output frequency equals oscillator frequency for the TL3842B and TL3843B. Output frequency is one-half the oscillator frequency for the TL3844B and TL3845B.

 (2) Adjust V_{CC} above the start threshold before setting it to 15 V.

 (3) All typical values are at $T_J = 25^\circ\text{C}$.

Error-Amplifier Section Electrical Characteristics

$V_{CC} = 15\text{ V}^{(1)}$, $R_T = 10\text{ k}\Omega$, $C_T = 3.3\text{ nF}$, over recommended operating free-air temperature range (unless otherwise specified)

| PARAMETER | TEST CONDITIONS | TL284xB | | | TL384xB | | | UNIT |
|---------------------------------|--|---------|--------------------|------|---------|--------------------|------|---------------|
| | | MIN | TYP ⁽²⁾ | MAX | MIN | TYP ⁽²⁾ | MAX | |
| Feedback input voltage | COMP = 2.5 V | 2.45 | 2.5 | 2.55 | 2.42 | 2.5 | 2.58 | V |
| Input bias current | | | -0.3 | -1 | | -0.3 | -2 | μA |
| Open-loop voltage amplification | $V_O = 2\text{ V to }4\text{ V}$ | 65 | 90 | | 65 | 90 | | dB |
| Gain-bandwidth product | | 0.7 | 1 | | 0.7 | 1 | | MHz |
| Supply-voltage rejection ratio | $V_{CC} = 12\text{ V to }25\text{ V}$ | 60 | 70 | | 60 | 70 | | dB |
| Output sink current | VFB = 2.7 V, COMP = 1.1 V | 2 | 6 | | 2 | 6 | | mA |
| Output source current | VFB = 2.3 V, COMP = 5 V | -0.5 | -0.8 | | -0.5 | -0.8 | | mA |
| High-level output voltage | VFB = 2.3 V, $R_L = 15\text{ k}\Omega$ to GND | 5 | 6 | | 5 | 6 | | V |
| Low-level output voltage | VFB = 2.7 V, $R_L = 15\text{ k}\Omega$ to GND | | 0.7 | 1.1 | | 0.7 | 1.1 | V |

(1) Adjust V_{CC} above the start threshold before setting it to 15 V.

(2) All typical values are at $T_J = 25^\circ\text{C}$.

Current-Sense Section Electrical Characteristics

$V_{CC} = 15\text{ V}^{(1)}$, $R_T = 10\text{ k}\Omega$, $C_T = 3.3\text{ nF}$, over recommended operating free-air temperature range (unless otherwise specified)

| PARAMETER | TEST CONDITIONS | TL284xB | | | TL384xB | | | UNIT |
|---|---------------------------------------|---------|--------------------|------|---------|--------------------|------|---------------|
| | | MIN | TYP ⁽²⁾ | MAX | MIN | TYP ⁽²⁾ | MAX | |
| Voltage amplification ⁽³⁾⁽⁴⁾ | | 2.85 | 3 | 3.15 | 2.85 | 3 | 3.15 | V/V |
| Current-sense comparator threshold ⁽³⁾ | COMP = 5 V | 0.9 | 1 | 1.1 | 0.9 | 1 | 1.1 | V |
| Supply-voltage rejection ratio ⁽³⁾ | $V_{CC} = 12\text{ V to }25\text{ V}$ | | 70 | | | 70 | | dB |
| Input bias current | | | -2 | -10 | | -2 | -10 | μA |
| Delay time to output | VFB = 0 V to 2 V | | 150 | 300 | | 150 | 300 | ns |

(1) Adjust V_{CC} above the start threshold before setting it to 15 V.

(2) All typical values are at $T_J = 25^\circ\text{C}$.

(3) Measured at the trip point of the latch, with VFB at 0 V.

(4) Measured between I_{SENSE} and COMP, with the input changing from 0 V to 0.8 V.

Output Section Electrical Characteristics

$V_{CC} = 15\text{ V}^{(1)}$, $R_T = 10\text{ k}\Omega$, $C_T = 3.3\text{ nF}$, over recommended operating free-air temperature range (unless otherwise specified)

| PARAMETER | TEST CONDITIONS | TL284xB | | | TL384xB | | | UNIT |
|---------------------------|--|---------|--------------------|-----|---------|--------------------|-----|------|
| | | MIN | TYP ⁽²⁾ | MAX | MIN | TYP ⁽²⁾ | MAX | |
| High-level output voltage | $I_{OH} = -20\text{ mA}$ | 13 | 13.5 | | 13 | 13.5 | | V |
| | $I_{OH} = -200\text{ mA}$ | 12 | 13.5 | | 12 | 13.5 | | |
| Low-level output voltage | $I_{OL} = 20\text{ mA}$ | | 0.1 | 0.4 | | 0.1 | 0.4 | V |
| | $I_{OL} = 200\text{ mA}$ | | 1.5 | 2.2 | | 1.5 | 2.2 | |
| Rise time | $C_L = 1\text{ nF}$, $T_J = 25^\circ\text{C}$ | | 50 | 150 | | 50 | 150 | ns |
| Fall time | $C_L = 1\text{ nF}$, $T_J = 25^\circ\text{C}$ | | 50 | 150 | | 50 | 150 | ns |
| UVLO saturation | $V_{CC} = 5\text{ V}$, $I_{OL} = 1\text{ mA}$ | | 0.7 | 1.2 | | 0.7 | 1.2 | V |

- (1) Adjust V_{CC} above the start threshold before setting it to 15 V.
 (2) All typical values are at $T_J = 25^\circ\text{C}$.

Undervoltage-Lockout Section Electrical Characteristics

$V_{CC} = 15\text{ V}^{(1)}$, $R_T = 10\text{ k}\Omega$, $C_T = 3.3\text{ nF}$, over recommended operating free-air temperature range (unless otherwise specified)

| PARAMETER | TEST CONDITIONS | TL284xB | | | TL384xB | | | UNIT |
|--|------------------|---------|--------------------|-----|---------|--------------------|------|------|
| | | MIN | TYP ⁽²⁾ | MAX | MIN | TYP ⁽²⁾ | MAX | |
| Start threshold voltage | TLx842B, TLx844B | 15 | 16 | 17 | 14.5 | 16 | 17.5 | V |
| | TLx843B, TLx845B | 7.8 | 8.4 | 9 | 7.8 | 8.4 | 9 | |
| Minimum operating voltage after start-up | TLx842B, TLx844B | 9 | 10 | 11 | 8.5 | 10 | 11.5 | V |
| | TLx843B, TLx845B | 7 | 7.6 | 8.2 | 7 | 7.6 | 8.2 | |

- (1) Adjust V_{CC} above the start threshold before setting it to 15 V.
 (2) All typical values are at $T_J = 25^\circ\text{C}$.

Pulse-Width Modulator Section Electrical Characteristics

$V_{CC} = 15\text{ V}^{(1)}$, $R_T = 10\text{ k}\Omega$, $C_T = 3.3\text{ nF}$, over recommended operating free-air temperature range (unless otherwise specified)

| PARAMETER | TEST CONDITIONS | TL284xB | | | TL384xB | | | UNIT |
|--------------------|------------------|---------|--------------------|-----|---------|--------------------|-----|------|
| | | MIN | TYP ⁽²⁾ | MAX | MIN | TYP ⁽²⁾ | MAX | |
| Maximum duty cycle | TL3842B, TL3843B | 94 | 96 | 100 | 94 | 96 | 100 | % |
| | TL3844B, TL3845B | 47 | 48 | 50 | 47 | 48 | 50 | |
| Minimum duty cycle | | | | 0 | | | 0 | % |

- (1) Adjust V_{CC} above the start threshold before setting it to 15 V.
 (2) All typical values are at $T_J = 25^\circ\text{C}$.

Supply Voltage Electrical Characteristics

$V_{CC} = 15\text{ V}^{(1)}$, $R_T = 10\text{ k}\Omega$, $C_T = 3.3\text{ nF}$, over recommended operating free-air temperature range (unless otherwise specified)

| PARAMETER | TEST CONDITIONS | TL284xB | | | TL384xB | | | UNIT |
|--------------------------|----------------------------|---------|--------------------|-----|---------|--------------------|-----|------|
| | | MIN | TYP ⁽²⁾ | MAX | MIN | TYP ⁽²⁾ | MAX | |
| Start-up current | | | 0.3 | 0.5 | | 0.3 | 0.5 | mA |
| Operating supply current | VFB and I_{SENSE} at 0 V | | 11 | 17 | | 11 | 17 | mA |
| Limiting voltage | $I_{CC} = 25\text{ mA}$ | | 30 | 34 | | 30 | 34 | V |

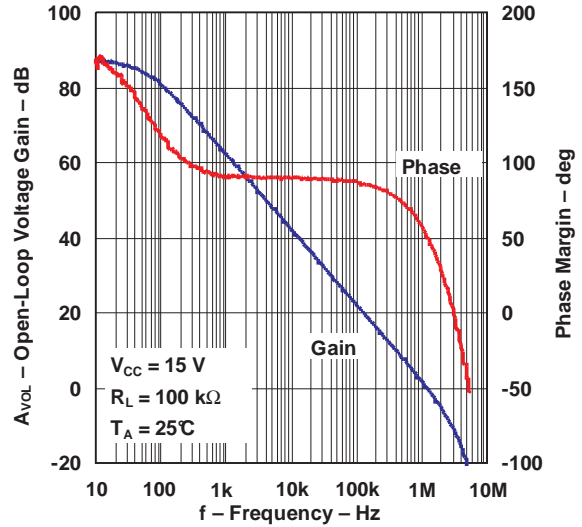
- (1) Adjust V_{CC} above the start threshold before setting it to 15 V.
 (2) All typical values are at $T_J = 25^\circ\text{C}$.

TYPICAL CHARACTERISTICS

SUPPLY CURRENT
 VS
 SUPPLY VOLTAGE



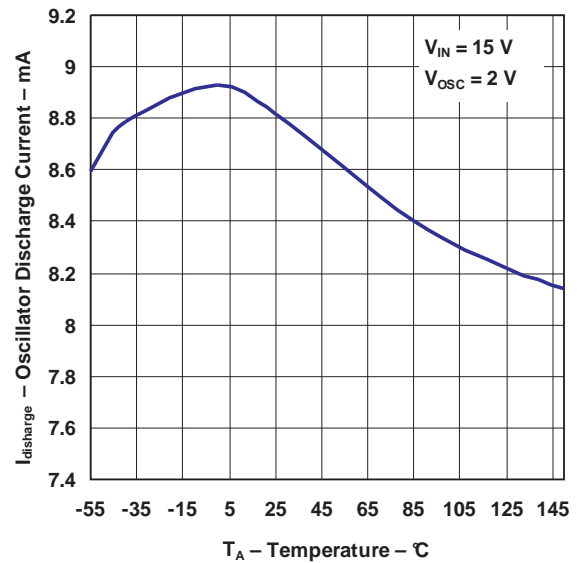
ERROR AMPLIFIER OPEN-LOOP
 GAIN AND PHASE
 VS
 FREQUENCY



CURRENT-SENSE INPUT THRESHOLD
 VS
 ERROR AMPLIFIER OUTPUT VOLTAGE

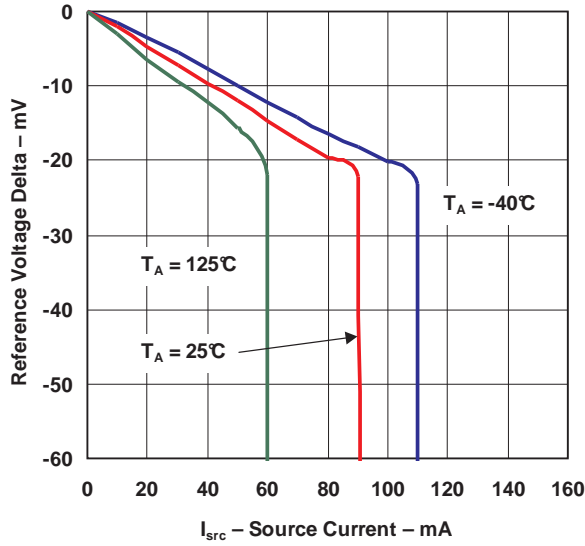


OSCILLATOR DISCHARGE CURRENT
 VS
 TEMPERATURE

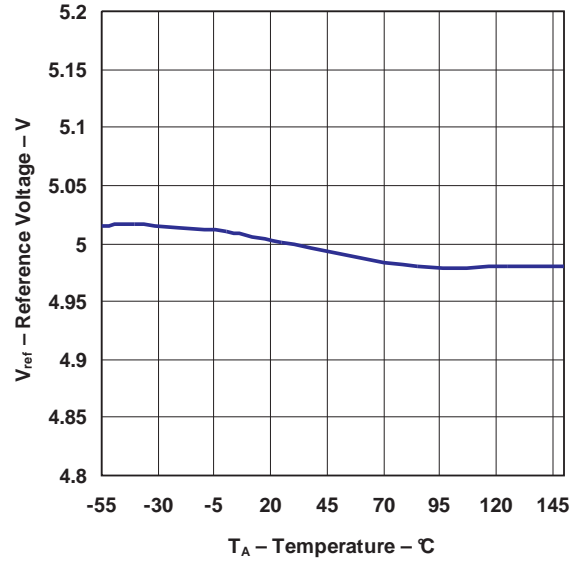


TYPICAL CHARACTERISTICS (continued)

REFERENCE VOLTAGE
VS
SOURCE CURRENT



REFERENCE VOLTAGE
VS
TEMPERATURE



REFERENCE SHORT-CIRCUIT CURRENT
VS
TEMPERATURE

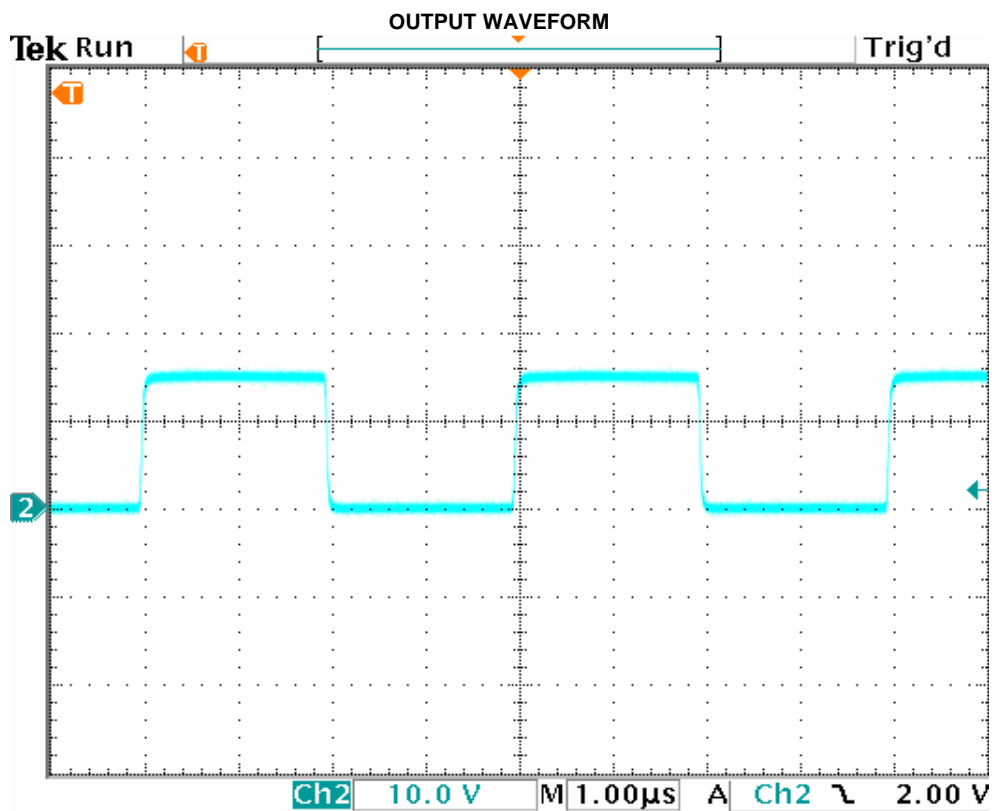


OUTPUT SATURATION VOLTAGE
VS
LOAD CURRENT



TYPICAL CHARACTERISTICS (continued)

MAXIMUM OUTPUT DUTY CYCLE
 VS
 TIMING RESISTOR



APPLICATION INFORMATION

The error-amplifier configuration circuit is shown in Figure 1.



- A. Error amplifier can source or sink up to 0.5 mA.

Figure 1. Error-Amplifier Configuration

The current-sense circuit is shown in Figure 2.



- A. Peak current (I_s) is determined by the formula: $I_{S(max)} = 1 / V/R_s$
- B. A small RC filter formed by resistor R_f and capacitor C_f may be required to suppress switch transients.

Figure 2. Current-Sense Circuit

The oscillator frequency is set using the circuit shown in Figure 3. The frequency is calculated as:

$$f = 1 / R_T C_T$$

For $R_T > 5 \text{ k}\Omega$:

$$f \approx 1.72 / R_T C_T$$

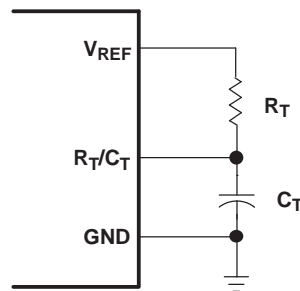
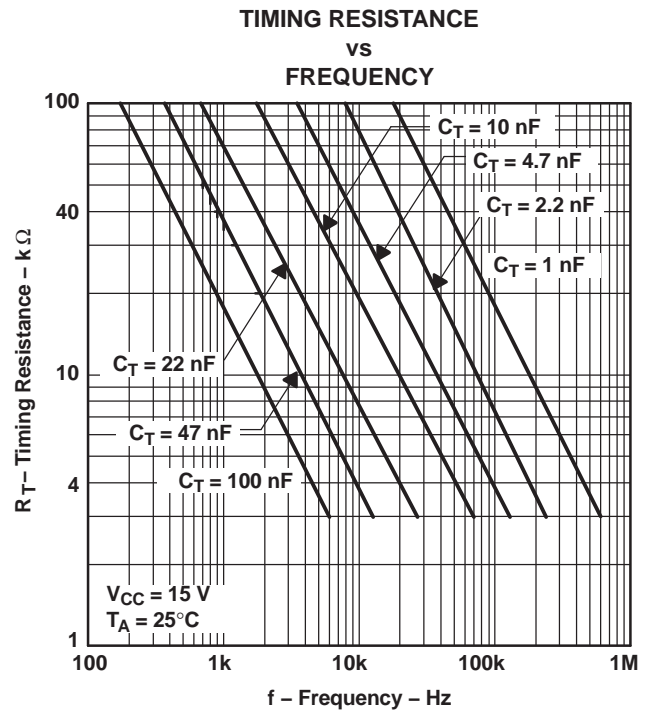
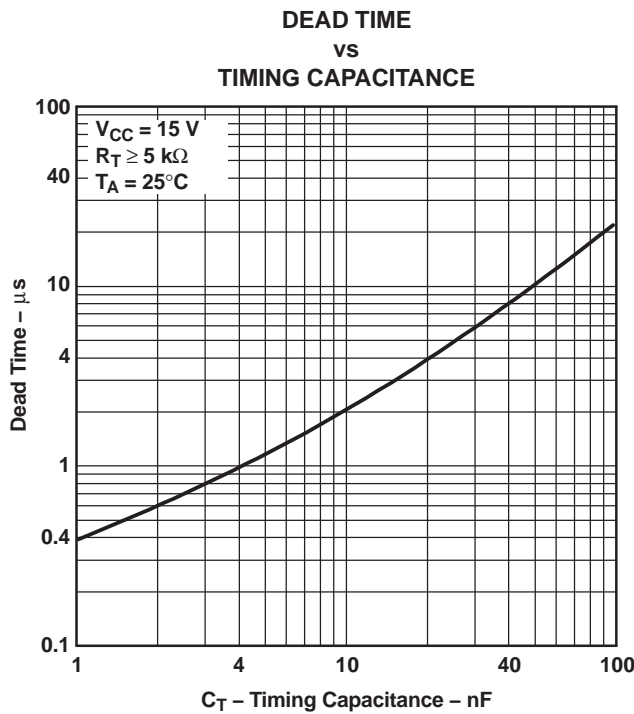


Figure 3. Oscillator Section

APPLICATION INFORMATION (continued)



Open-Loop Laboratory Test Fixture

In the open-loop laboratory test fixture (see Figure 4), high peak currents associated with loads necessitate careful grounding techniques. Timing and bypass capacitors should be connected close to the GND terminal in a single-point ground. The transistor and 5-k Ω potentiometer sample the oscillator waveform and apply an adjustable ramp to the I_{SENSE} terminal.



Figure 4. Open-Loop Laboratory Test Fixture

APPLICATION INFORMATION (continued)

Shutdown Technique

The PWM controller (see Figure 5) can be shut down by two methods: either raise the voltage at I_{SENSE} above 1 V or pull the COMP terminal below a voltage two diode drops above ground. Either method causes the output of the PWM comparator to be high (refer to block diagram). The PWM latch is reset dominant so that the output remains low until the next clock cycle after the shutdown condition at the COMP or I_{SENSE} terminal is removed. In one example, an externally latched shutdown can be accomplished by adding an SCR that resets by cycling V_{CC} below the lower UVLO threshold. At this point, the reference turns off, allowing the SCR to reset.

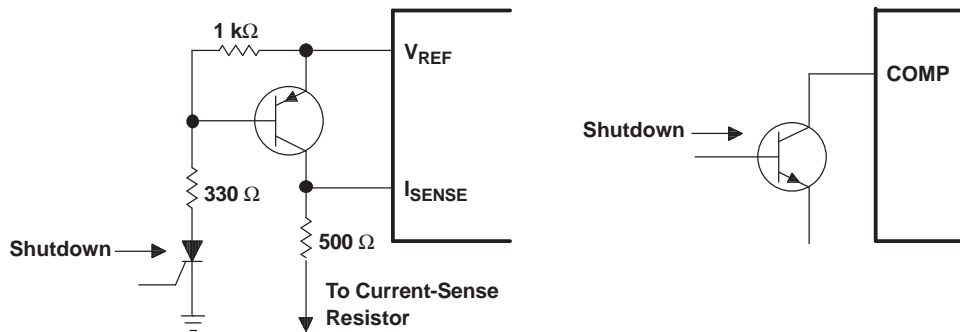


Figure 5. Shutdown Techniques

A fraction of the oscillator ramp can be summed resistively with the current-sense signal to provide slope compensation for converters requiring duty cycles over 50% (see Figure 6). Note that capacitor C forms a filter with R2 to suppress the leading-edge switch spikes.



Figure 6. Slope Compensation

PACKAGING INFORMATION

| Orderable Device | Status (1) | Package Type | Package Drawing | Pins | Package Qty | Eco Plan (2) | Lead/Ball Finish (6) | MSL Peak Temp (3) | Op Temp (°C) | Device Marking (4/5) | Samples |
|------------------|---------------|--------------|-----------------|------|-------------|-------------------------|-------------------------|----------------------|--------------|-------------------------|-------------------------|
| TL2842BD | ACTIVE | SOIC | D | 14 | 50 | Green (RoHS & no Sb/Br) | CU NIPDAU | Level-1-260C-UNLIM | -40 to 85 | TL2842B | Samples |
| TL2842BD-8 | ACTIVE | SOIC | D | 8 | 75 | Green (RoHS & no Sb/Br) | CU NIPDAU | Level-1-260C-UNLIM | -40 to 85 | 2842B | Samples |
| TL2842BDR | ACTIVE | SOIC | D | 14 | 2500 | Green (RoHS & no Sb/Br) | CU NIPDAU | Level-1-260C-UNLIM | -40 to 85 | TL2842B | Samples |
| TL2842BDR-8 | ACTIVE | SOIC | D | 8 | 2500 | Green (RoHS & no Sb/Br) | CU NIPDAU | Level-1-260C-UNLIM | -40 to 85 | 2842B | Samples |
| TL2842BP | ACTIVE | PDIP | P | 8 | 50 | Pb-Free (RoHS) | CU NIPDAU | N / A for Pkg Type | -40 to 85 | TL2842BP | Samples |
| TL2843BD | ACTIVE | SOIC | D | 14 | 50 | Green (RoHS & no Sb/Br) | CU NIPDAU | Level-1-260C-UNLIM | -40 to 85 | TL2843B | Samples |
| TL2843BD-8 | ACTIVE | SOIC | D | 8 | 75 | Green (RoHS & no Sb/Br) | CU NIPDAU | Level-1-260C-UNLIM | -40 to 85 | 2843B | Samples |
| TL2843BDR | ACTIVE | SOIC | D | 14 | 2500 | Green (RoHS & no Sb/Br) | CU NIPDAU | Level-1-260C-UNLIM | -40 to 85 | TL2843B | Samples |
| TL2843BDR-8 | ACTIVE | SOIC | D | 8 | 2500 | Green (RoHS & no Sb/Br) | CU NIPDAU | Level-1-260C-UNLIM | -40 to 85 | 2843B | Samples |
| TL2843BDRG4-8 | ACTIVE | SOIC | D | 8 | 2500 | Green (RoHS & no Sb/Br) | CU NIPDAU | Level-1-260C-UNLIM | -40 to 85 | 2843B | Samples |
| TL2843BP | ACTIVE | PDIP | P | 8 | 50 | Pb-Free (RoHS) | CU NIPDAU | N / A for Pkg Type | -40 to 85 | TL2843BP | Samples |
| TL2843BPG4 | ACTIVE | PDIP | P | 8 | | TBD | Call TI | Call TI | -40 to 85 | | Samples |
| TL2844BD-8 | ACTIVE | SOIC | D | 8 | 75 | Green (RoHS & no Sb/Br) | CU NIPDAU | Level-1-260C-UNLIM | -40 to 85 | 2844B | Samples |
| TL2844BDR | ACTIVE | SOIC | D | 14 | 2500 | Green (RoHS & no Sb/Br) | CU NIPDAU | Level-1-260C-UNLIM | -40 to 85 | TL2844B | Samples |
| TL2844BDR-8 | ACTIVE | SOIC | D | 8 | 2500 | Green (RoHS & no Sb/Br) | CU NIPDAU | Level-1-260C-UNLIM | -40 to 85 | 2844B | Samples |
| TL2844BDRG4-8 | ACTIVE | SOIC | D | 8 | 2500 | Green (RoHS & no Sb/Br) | CU NIPDAU | Level-1-260C-UNLIM | -40 to 85 | 2844B | Samples |
| TL2845BD | ACTIVE | SOIC | D | 14 | 50 | Green (RoHS & no Sb/Br) | CU NIPDAU | Level-1-260C-UNLIM | -40 to 85 | TL2845B | Samples |

| Orderable Device | Status (1) | Package Type | Package Drawing | Pins | Package Qty | Eco Plan (2) | Lead/Ball Finish (6) | MSL Peak Temp (3) | Op Temp (°C) | Device Marking (4/5) | Samples |
|------------------|---------------|--------------|--------------------|------|----------------|----------------------------|-------------------------|----------------------|--------------|-------------------------|-------------------------|
| TL2845BD-8 | ACTIVE | SOIC | D | 8 | 75 | Green (RoHS & no Sb/Br) | CU NIPDAU | Level-1-260C-UNLIM | -40 to 85 | 2845B | Samples |
| TL2845BDR | ACTIVE | SOIC | D | 14 | 2500 | Green (RoHS & no Sb/Br) | CU NIPDAU | Level-1-260C-UNLIM | -40 to 85 | TL2845B | Samples |
| TL2845BDR-8 | ACTIVE | SOIC | D | 8 | 2500 | Green (RoHS & no Sb/Br) | CU NIPDAU | Level-1-260C-UNLIM | -40 to 85 | 2845B | Samples |
| TL2845BDRG4-8 | ACTIVE | SOIC | D | 8 | 2500 | Green (RoHS & no Sb/Br) | CU NIPDAU | Level-1-260C-UNLIM | -40 to 85 | 2845B | Samples |
| TL2845BP | ACTIVE | PDIP | P | 8 | 50 | Pb-Free (RoHS) | CU NIPDAU | N / A for Pkg Type | -40 to 85 | TL2845BP | Samples |
| TL3842BD | ACTIVE | SOIC | D | 14 | 50 | Green (RoHS & no Sb/Br) | CU NIPDAU | Level-1-260C-UNLIM | 0 to 70 | TL3842B | Samples |
| TL3842BD-8 | ACTIVE | SOIC | D | 8 | 75 | Green (RoHS & no Sb/Br) | CU NIPDAU | Level-1-260C-UNLIM | 0 to 70 | 3842B | Samples |
| TL3842BDR | ACTIVE | SOIC | D | 14 | 2500 | Green (RoHS & no Sb/Br) | CU NIPDAU | Level-1-260C-UNLIM | 0 to 70 | TL3842B | Samples |
| TL3842BDR-8 | ACTIVE | SOIC | D | 8 | 2500 | Green (RoHS & no Sb/Br) | CU NIPDAU | Level-1-260C-UNLIM | 0 to 70 | 3842B | Samples |
| TL3842BP | ACTIVE | PDIP | P | 8 | 50 | Pb-Free (RoHS) | CU NIPDAU | N / A for Pkg Type | 0 to 70 | TL3842BP | Samples |
| TL3842BPE4 | ACTIVE | PDIP | P | 8 | 50 | Pb-Free (RoHS) | CU NIPDAU | N / A for Pkg Type | 0 to 70 | TL3842BP | Samples |
| TL3843BD | ACTIVE | SOIC | D | 14 | 50 | Green (RoHS & no Sb/Br) | CU NIPDAU | Level-1-260C-UNLIM | 0 to 70 | TL3843B | Samples |
| TL3843BD-8 | ACTIVE | SOIC | D | 8 | 75 | Green (RoHS & no Sb/Br) | CU NIPDAU | Level-1-260C-UNLIM | 0 to 70 | 3843B | Samples |
| TL3843BDR | ACTIVE | SOIC | D | 14 | 2500 | Green (RoHS & no Sb/Br) | CU NIPDAU | Level-1-260C-UNLIM | 0 to 70 | TL3843B | Samples |
| TL3843BDR-8 | ACTIVE | SOIC | D | 8 | 2500 | Green (RoHS & no Sb/Br) | CU NIPDAU | Level-1-260C-UNLIM | 0 to 70 | 3843B | Samples |
| TL3843BDRG4 | ACTIVE | SOIC | D | 14 | 2500 | Green (RoHS & no Sb/Br) | CU NIPDAU | Level-1-260C-UNLIM | 0 to 70 | TL3843B | Samples |
| TL3843BP | ACTIVE | PDIP | P | 8 | 50 | Pb-Free (RoHS) | CU NIPDAU | N / A for Pkg Type | 0 to 70 | TL3843BP | Samples |
| TL3843BPE4 | ACTIVE | PDIP | P | 8 | 50 | Pb-Free (RoHS) | CU NIPDAU | N / A for Pkg Type | 0 to 70 | TL3843BP | Samples |

| Orderable Device | Status (1) | Package Type | Package Drawing | Pins | Package Qty | Eco Plan (2) | Lead/Ball Finish (6) | MSL Peak Temp (3) | Op Temp (°C) | Device Marking (4/5) | Samples |
|------------------|---------------|--------------|-----------------|------|-------------|-------------------------|-------------------------|----------------------|--------------|-------------------------|-------------------------|
| TL3844BD-8 | ACTIVE | SOIC | D | 8 | 75 | Green (RoHS & no Sb/Br) | CU NIPDAU | Level-1-260C-UNLIM | 0 to 70 | 3844B | Samples |
| TL3844BDR | ACTIVE | SOIC | D | 14 | 2500 | Green (RoHS & no Sb/Br) | CU NIPDAU | Level-1-260C-UNLIM | 0 to 70 | TL3844B | Samples |
| TL3844BDR-8 | ACTIVE | SOIC | D | 8 | 2500 | Green (RoHS & no Sb/Br) | CU NIPDAU | Level-1-260C-UNLIM | 0 to 70 | 3844B | Samples |
| TL3844BP | ACTIVE | PDIP | P | 8 | 50 | Pb-Free (RoHS) | CU NIPDAU | N / A for Pkg Type | 0 to 70 | TL3844BP | Samples |
| TL3844BPE4 | ACTIVE | PDIP | P | 8 | 50 | Pb-Free (RoHS) | CU NIPDAU | N / A for Pkg Type | 0 to 70 | TL3844BP | Samples |
| TL3845BD | ACTIVE | SOIC | D | 14 | 50 | Green (RoHS & no Sb/Br) | CU NIPDAU | Level-1-260C-UNLIM | 0 to 70 | TL3845B | Samples |
| TL3845BD-8 | ACTIVE | SOIC | D | 8 | 75 | Green (RoHS & no Sb/Br) | CU NIPDAU | Level-1-260C-UNLIM | 0 to 70 | 3845B | Samples |
| TL3845BDG4-8 | ACTIVE | SOIC | D | 8 | 75 | Green (RoHS & no Sb/Br) | CU NIPDAU | Level-1-260C-UNLIM | 0 to 70 | 3845B | Samples |
| TL3845BDR | ACTIVE | SOIC | D | 14 | 2500 | Green (RoHS & no Sb/Br) | CU NIPDAU | Level-1-260C-UNLIM | 0 to 70 | TL3845B | Samples |
| TL3845BDR-8 | ACTIVE | SOIC | D | 8 | 2500 | Green (RoHS & no Sb/Br) | CU NIPDAU | Level-1-260C-UNLIM | 0 to 70 | 3845B | Samples |
| TL3845BP | ACTIVE | PDIP | P | 8 | 50 | Pb-Free (RoHS) | CU NIPDAU | N / A for Pkg Type | 0 to 70 | TL3845BP | Samples |

(1) The marketing status values are defined as follows:

ACTIVE: Product device recommended for new designs.

LIFEBUY: TI has announced that the device will be discontinued, and a lifetime-buy period is in effect.

NRND: Not recommended for new designs. Device is in production to support existing customers, but TI does not recommend using this part in a new design.

PREVIEW: Device has been announced but is not in production. Samples may or may not be available.

OBSELETE: TI has discontinued the production of the device.

(2) Eco Plan - The planned eco-friendly classification: Pb-Free (RoHS), Pb-Free (RoHS Exempt), or Green (RoHS & no Sb/Br) - please check <http://www.ti.com/productcontent> for the latest availability information and additional product content details.

TBD: The Pb-Free/Green conversion plan has not been defined.

Pb-Free (RoHS): TI's terms "Lead-Free" or "Pb-Free" mean semiconductor products that are compatible with the current RoHS requirements for all 6 substances, including the requirement that lead not exceed 0.1% by weight in homogeneous materials. Where designed to be soldered at high temperatures, TI Pb-Free products are suitable for use in specified lead-free processes.

Pb-Free (RoHS Exempt): This component has a RoHS exemption for either 1) lead-based flip-chip solder bumps used between the die and package, or 2) lead-based die adhesive used between the die and leadframe. The component is otherwise considered Pb-Free (RoHS compatible) as defined above.

Green (RoHS & no Sb/Br): TI defines "Green" to mean Pb-Free (RoHS compatible), and free of Bromine (Br) and Antimony (Sb) based flame retardants (Br or Sb do not exceed 0.1% by weight in homogeneous material)

(3) MSL, Peak Temp. - The Moisture Sensitivity Level rating according to the JEDEC industry standard classifications, and peak solder temperature.

(4) There may be additional marking, which relates to the logo, the lot trace code information, or the environmental category on the device.

(5) Multiple Device Markings will be inside parentheses. Only one Device Marking contained in parentheses and separated by a "~" will appear on a device. If a line is indented then it is a continuation of the previous line and the two combined represent the entire Device Marking for that device.

(6) Lead/Ball Finish - Orderable Devices may have multiple material finish options. Finish options are separated by a vertical ruled line. Lead/Ball Finish values may wrap to two lines if the finish value exceeds the maximum column width.

Important Information and Disclaimer: The information provided on this page represents TI's knowledge and belief as of the date that it is provided. TI bases its knowledge and belief on information provided by third parties, and makes no representation or warranty as to the accuracy of such information. Efforts are underway to better integrate information from third parties. TI has taken and continues to take reasonable steps to provide representative and accurate information but may not have conducted destructive testing or chemical analysis on incoming materials and chemicals. TI and TI suppliers consider certain information to be proprietary, and thus CAS numbers and other limited information may not be available for release.

In no event shall TI's liability arising out of such information exceed the total purchase price of the TI part(s) at issue in this document sold by TI to Customer on an annual basis.

OTHER QUALIFIED VERSIONS OF TL2843B :

- Automotive: [TL2843B-Q1](#)

NOTE: Qualified Version Definitions:

- Automotive - Q100 devices qualified for high-reliability automotive applications targeting zero defects

TAPE AND REEL INFORMATION
REEL DIMENSIONS

TAPE DIMENSIONS


| | |
|----|---|
| A0 | Dimension designed to accommodate the component width |
| B0 | Dimension designed to accommodate the component length |
| K0 | Dimension designed to accommodate the component thickness |
| W | Overall width of the carrier tape |
| P1 | Pitch between successive cavity centers |

TAPE AND REEL INFORMATION

*All dimensions are nominal

| Device | Package Type | Package Drawing | Pins | SPQ | Reel Diameter (mm) | Reel Width W1 (mm) | A0 (mm) | B0 (mm) | K0 (mm) | P1 (mm) | W (mm) | Pin1 Quadrant |
|-------------|--------------|-----------------|------|------|--------------------|--------------------|---------|---------|---------|---------|--------|---------------|
| TL2842BDR | SOIC | D | 14 | 2500 | 330.0 | 16.4 | 6.5 | 9.0 | 2.1 | 8.0 | 16.0 | Q1 |
| TL2842BDR-8 | SOIC | D | 8 | 2500 | 330.0 | 12.4 | 6.4 | 5.2 | 2.1 | 8.0 | 12.0 | Q1 |
| TL2843BDR | SOIC | D | 14 | 2500 | 330.0 | 16.4 | 6.5 | 9.0 | 2.1 | 8.0 | 16.0 | Q1 |
| TL2843BDR-8 | SOIC | D | 8 | 2500 | 330.0 | 12.4 | 6.4 | 5.2 | 2.1 | 8.0 | 12.0 | Q1 |
| TL2844BDR | SOIC | D | 14 | 2500 | 330.0 | 16.4 | 6.5 | 9.0 | 2.1 | 8.0 | 16.0 | Q1 |
| TL2844BDR-8 | SOIC | D | 8 | 2500 | 330.0 | 12.4 | 6.4 | 5.2 | 2.1 | 8.0 | 12.0 | Q1 |
| TL2845BDR | SOIC | D | 14 | 2500 | 330.0 | 16.4 | 6.5 | 9.0 | 2.1 | 8.0 | 16.0 | Q1 |
| TL2845BDR-8 | SOIC | D | 8 | 2500 | 330.0 | 12.4 | 6.4 | 5.2 | 2.1 | 8.0 | 12.0 | Q1 |
| TL3842BDR | SOIC | D | 14 | 2500 | 330.0 | 16.4 | 6.5 | 9.0 | 2.1 | 8.0 | 16.0 | Q1 |
| TL3842BDR-8 | SOIC | D | 8 | 2500 | 330.0 | 12.4 | 6.4 | 5.2 | 2.1 | 8.0 | 12.0 | Q1 |
| TL3843BDR | SOIC | D | 14 | 2500 | 330.0 | 16.4 | 6.5 | 9.0 | 2.1 | 8.0 | 16.0 | Q1 |
| TL3843BDR-8 | SOIC | D | 8 | 2500 | 330.0 | 12.4 | 6.4 | 5.2 | 2.1 | 8.0 | 12.0 | Q1 |
| TL3844BDR | SOIC | D | 14 | 2500 | 330.0 | 16.4 | 6.5 | 9.0 | 2.1 | 8.0 | 16.0 | Q1 |
| TL3844BDR-8 | SOIC | D | 8 | 2500 | 330.0 | 12.4 | 6.4 | 5.2 | 2.1 | 8.0 | 12.0 | Q1 |
| TL3845BDR | SOIC | D | 14 | 2500 | 330.0 | 16.4 | 6.5 | 9.0 | 2.1 | 8.0 | 16.0 | Q1 |
| TL3845BDR-8 | SOIC | D | 8 | 2500 | 330.0 | 12.4 | 6.4 | 5.2 | 2.1 | 8.0 | 12.0 | Q1 |

TAPE AND REEL BOX DIMENSIONS


*All dimensions are nominal

| Device | Package Type | Package Drawing | Pins | SPQ | Length (mm) | Width (mm) | Height (mm) |
|-------------|--------------|-----------------|------|------|-------------|------------|-------------|
| TL2842BDR | SOIC | D | 14 | 2500 | 367.0 | 367.0 | 38.0 |
| TL2842BDR-8 | SOIC | D | 8 | 2500 | 340.5 | 338.1 | 20.6 |
| TL2843BDR | SOIC | D | 14 | 2500 | 367.0 | 367.0 | 38.0 |
| TL2843BDR-8 | SOIC | D | 8 | 2500 | 340.5 | 338.1 | 20.6 |
| TL2844BDR | SOIC | D | 14 | 2500 | 367.0 | 367.0 | 38.0 |
| TL2844BDR-8 | SOIC | D | 8 | 2500 | 340.5 | 338.1 | 20.6 |
| TL2845BDR | SOIC | D | 14 | 2500 | 367.0 | 367.0 | 38.0 |
| TL2845BDR-8 | SOIC | D | 8 | 2500 | 340.5 | 338.1 | 20.6 |
| TL3842BDR | SOIC | D | 14 | 2500 | 367.0 | 367.0 | 38.0 |
| TL3842BDR-8 | SOIC | D | 8 | 2500 | 340.5 | 338.1 | 20.6 |
| TL3843BDR | SOIC | D | 14 | 2500 | 367.0 | 367.0 | 38.0 |
| TL3843BDR-8 | SOIC | D | 8 | 2500 | 340.5 | 338.1 | 20.6 |
| TL3844BDR | SOIC | D | 14 | 2500 | 367.0 | 367.0 | 38.0 |
| TL3844BDR-8 | SOIC | D | 8 | 2500 | 340.5 | 338.1 | 20.6 |
| TL3845BDR | SOIC | D | 14 | 2500 | 367.0 | 367.0 | 38.0 |
| TL3845BDR-8 | SOIC | D | 8 | 2500 | 340.5 | 338.1 | 20.6 |

P (R-PDIP-T8)

PLASTIC DUAL-IN-LINE PACKAGE



- NOTES:
- A. All linear dimensions are in inches (millimeters).
 - B. This drawing is subject to change without notice.
 - C. Falls within JEDEC MS-001 variation BA.

D (R-PDSO-G14)

PLASTIC SMALL OUTLINE



- NOTES:
- A. All linear dimensions are in inches (millimeters).
 - B. This drawing is subject to change without notice.
 - $\triangle C$ Body length does not include mold flash, protrusions, or gate burrs. Mold flash, protrusions, or gate burrs shall not exceed 0.006 (0,15) each side.
 - $\triangle D$ Body width does not include interlead flash. Interlead flash shall not exceed 0.017 (0,43) each side.
 - E. Reference JEDEC MS-012 variation AB.

D (R-PDSO-G14)

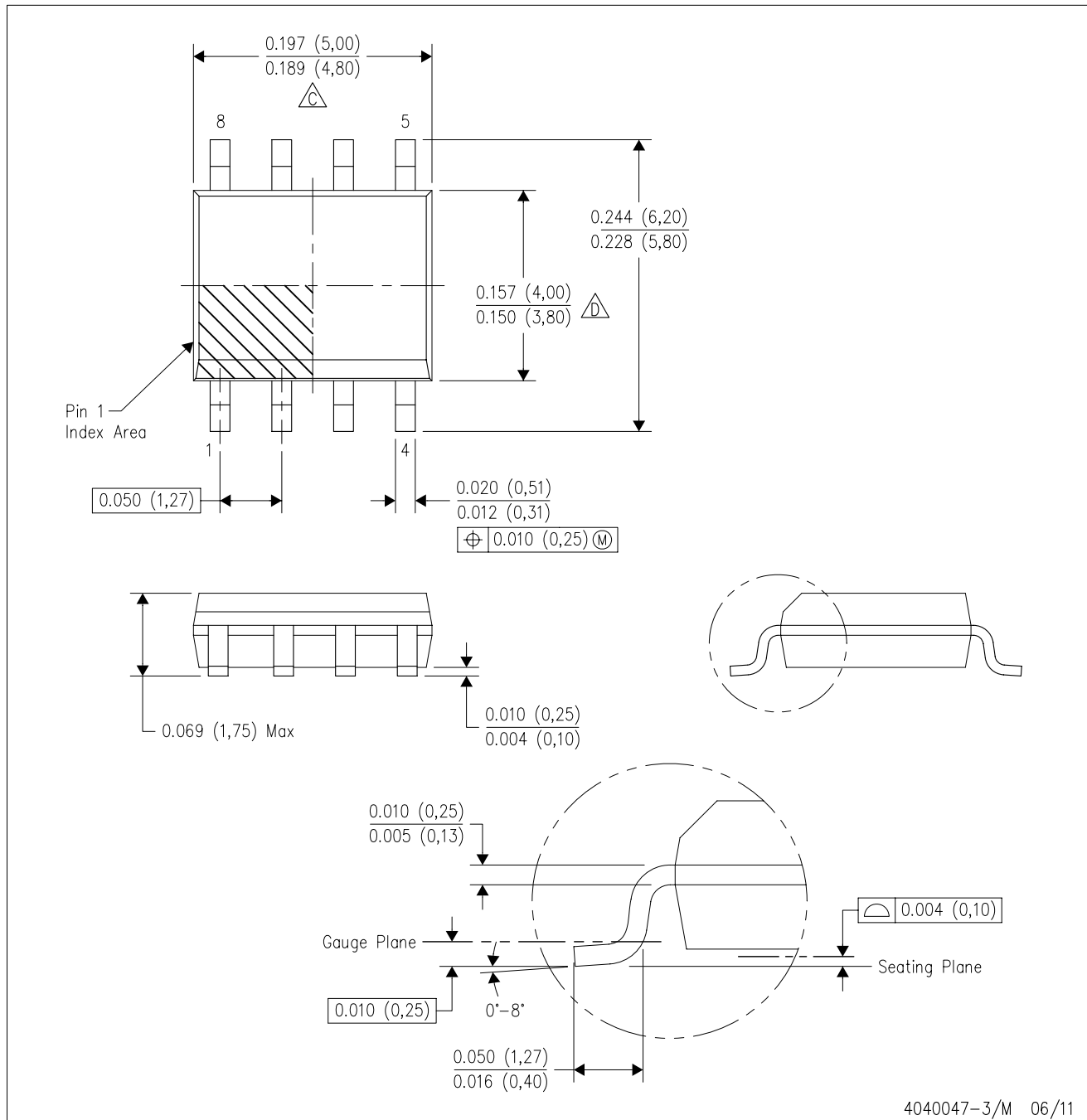
PLASTIC SMALL OUTLINE



- NOTES:
- A. All linear dimensions are in millimeters.
 - B. This drawing is subject to change without notice.
 - C. Publication IPC-7351 is recommended for alternate designs.
 - D. Laser cutting apertures with trapezoidal walls and also rounding corners will offer better paste release. Customers should contact their board assembly site for stencil design recommendations. Refer to IPC-7525 for other stencil recommendations.
 - E. Customers should contact their board fabrication site for solder mask tolerances between and around signal pads.

D (R-PDSO-G8)

PLASTIC SMALL OUTLINE



- NOTES:
- All linear dimensions are in inches (millimeters).
 - This drawing is subject to change without notice.
 - $\triangle C$ Body length does not include mold flash, protrusions, or gate burrs. Mold flash, protrusions, or gate burrs shall not exceed 0.006 (0,15) each side.
 - $\triangle D$ Body width does not include interlead flash. Interlead flash shall not exceed 0.017 (0,43) each side.
 - Reference JEDEC MS-012 variation AA.

IMPORTANT NOTICE

Texas Instruments Incorporated and its subsidiaries (TI) reserve the right to make corrections, enhancements, improvements and other changes to its semiconductor products and services per JESD46, latest issue, and to discontinue any product or service per JESD48, latest issue. Buyers should obtain the latest relevant information before placing orders and should verify that such information is current and complete. All semiconductor products (also referred to herein as "components") are sold subject to TI's terms and conditions of sale supplied at the time of order acknowledgment.

TI warrants performance of its components to the specifications applicable at the time of sale, in accordance with the warranty in TI's terms and conditions of sale of semiconductor products. Testing and other quality control techniques are used to the extent TI deems necessary to support this warranty. Except where mandated by applicable law, testing of all parameters of each component is not necessarily performed.

TI assumes no liability for applications assistance or the design of Buyers' products. Buyers are responsible for their products and applications using TI components. To minimize the risks associated with Buyers' products and applications, Buyers should provide adequate design and operating safeguards.

TI does not warrant or represent that any license, either express or implied, is granted under any patent right, copyright, mask work right, or other intellectual property right relating to any combination, machine, or process in which TI components or services are used. Information published by TI regarding third-party products or services does not constitute a license to use such products or services or a warranty or endorsement thereof. Use of such information may require a license from a third party under the patents or other intellectual property of the third party, or a license from TI under the patents or other intellectual property of TI.

Reproduction of significant portions of TI information in TI data books or data sheets is permissible only if reproduction is without alteration and is accompanied by all associated warranties, conditions, limitations, and notices. TI is not responsible or liable for such altered documentation. Information of third parties may be subject to additional restrictions.

Resale of TI components or services with statements different from or beyond the parameters stated by TI for that component or service voids all express and any implied warranties for the associated TI component or service and is an unfair and deceptive business practice. TI is not responsible or liable for any such statements.

Buyer acknowledges and agrees that it is solely responsible for compliance with all legal, regulatory and safety-related requirements concerning its products, and any use of TI components in its applications, notwithstanding any applications-related information or support that may be provided by TI. Buyer represents and agrees that it has all the necessary expertise to create and implement safeguards which anticipate dangerous consequences of failures, monitor failures and their consequences, lessen the likelihood of failures that might cause harm and take appropriate remedial actions. Buyer will fully indemnify TI and its representatives against any damages arising out of the use of any TI components in safety-critical applications.

In some cases, TI components may be promoted specifically to facilitate safety-related applications. With such components, TI's goal is to help enable customers to design and create their own end-product solutions that meet applicable functional safety standards and requirements. Nonetheless, such components are subject to these terms.

No TI components are authorized for use in FDA Class III (or similar life-critical medical equipment) unless authorized officers of the parties have executed a special agreement specifically governing such use.

Only those TI components which TI has specifically designated as military grade or "enhanced plastic" are designed and intended for use in military/aerospace applications or environments. Buyer acknowledges and agrees that any military or aerospace use of TI components which have **not** been so designated is solely at the Buyer's risk, and that Buyer is solely responsible for compliance with all legal and regulatory requirements in connection with such use.

TI has specifically designated certain components as meeting ISO/TS16949 requirements, mainly for automotive use. In any case of use of non-designated products, TI will not be responsible for any failure to meet ISO/TS16949.

Products

| | |
|------------------------------|--|
| Audio | www.ti.com/audio |
| Amplifiers | amplifier.ti.com |
| Data Converters | dataconverter.ti.com |
| DLP® Products | www.dlp.com |
| DSP | dsp.ti.com |
| Clocks and Timers | www.ti.com/clocks |
| Interface | interface.ti.com |
| Logic | logic.ti.com |
| Power Mgmt | power.ti.com |
| Microcontrollers | microcontroller.ti.com |
| RFID | www.ti-rfid.com |
| OMAP Applications Processors | www.ti.com/omap |
| Wireless Connectivity | www.ti.com/wirelessconnectivity |

Applications

| | |
|-------------------------------|--|
| Automotive and Transportation | www.ti.com/automotive |
| Communications and Telecom | www.ti.com/communications |
| Computers and Peripherals | www.ti.com/computers |
| Consumer Electronics | www.ti.com/consumer-apps |
| Energy and Lighting | www.ti.com/energy |
| Industrial | www.ti.com/industrial |
| Medical | www.ti.com/medical |
| Security | www.ti.com/security |
| Space, Avionics and Defense | www.ti.com/space-avionics-defense |
| Video and Imaging | www.ti.com/video |

TI E2E Community

e2e.ti.com



Компания «ЭлектроПласт» предлагает заключение долгосрочных отношений при поставках импортных электронных компонентов на взаимовыгодных условиях!

Наши преимущества:

- Оперативные поставки широкого спектра электронных компонентов отечественного и импортного производства напрямую от производителей и с крупнейших мировых складов;
- Поставка более 17-ти миллионов наименований электронных компонентов;
- Поставка сложных, дефицитных, либо снятых с производства позиций;
- Оперативные сроки поставки под заказ (от 5 рабочих дней);
- Экспресс доставка в любую точку России;
- Техническая поддержка проекта, помощь в подборе аналогов, поставка прототипов;
- Система менеджмента качества сертифицирована по Международному стандарту ISO 9001;
- Лицензия ФСБ на осуществление работ с использованием сведений, составляющих государственную тайну;
- Поставка специализированных компонентов (Xilinx, Altera, Analog Devices, Intersil, Interpoint, Microsemi, Aeroflex, Peregrine, Syfer, Eurofarad, Texas Instrument, Miteq, Cobham, E2V, MA-COM, Hittite, Mini-Circuits, General Dynamics и др.);

Помимо этого, одним из направлений компании «ЭлектроПласт» является направление «Источники питания». Мы предлагаем Вам помощь Конструкторского отдела:

- Подбор оптимального решения, техническое обоснование при выборе компонента;
- Подбор аналогов;
- Консультации по применению компонента;
- Поставка образцов и прототипов;
- Техническая поддержка проекта;
- Защита от снятия компонента с производства.



Как с нами связаться

Телефон: 8 (812) 309 58 32 (многоканальный)

Факс: 8 (812) 320-02-42

Электронная почта: org@eplast1.ru

Адрес: 198099, г. Санкт-Петербург, ул. Калинина, дом 2, корпус 4, литера А.