

PLEASE CHECK WWW.MOLEX.COM FOR LATEST PART INFORMATION

Part Number: [0536490474](#)
Status: **Active**
Overview: [slimstack_0635mm_025_pitch](#)
Description: 0.635mm (.025") Pitch SlimStack™ Plug, Surface Mount, Dual Row, Vertical Stacking, 9.00 and 15.00mm (.354 and .591") Stacking Heights, Lead-free, 40 Circuits, with Embossed Tape with Cover Packaging

Documents:

[3D Model](#) [Product Specification PS-52760-015 \(PDF\)](#)
[Drawing \(PDF\)](#) [RoHS Certificate of Compliance \(PDF\)](#)

General

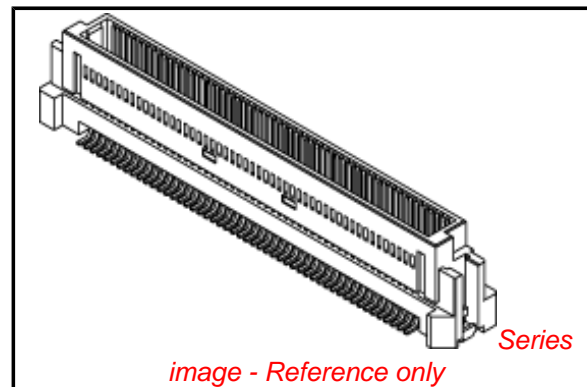
Product Family	PCB Headers
Series	53649
Application	Board-to-Board
Comments	Stacking-Type
Overview	slimstack_0635mm_025_pitch
Product Name	SlimStack™

Physical

Breakaway	No
Circuits (Loaded)	40
Circuits (maximum)	40
Color - Resin	Natural
Durability (mating cycles max)	50
First Mate / Last Break	No
Glow-Wire Compliant	No
Guide to Mating Part	No
Keying to Mating Part	None
Lock to Mating Part	Yes
Mated Height (in)	0.354 In, 0.591 In
Mated Height (mm)	15.00 mm, 9.00 mm
Material - Metal	Brass, Phosphor Bronze, Stainless Steel
Material - Plating Mating	Gold
Material - Plating Termination	Tin
Material - Resin	High Temperature Thermoplastic
Number of Rows	2
Orientation	Vertical
PCB Locator	Yes
PCB Retention	Yes
Packaging Type	Embossed Tape on Reel
Pitch - Mating Interface (in)	0.025 In
Pitch - Mating Interface (mm)	0.64 mm
Plating min: Mating (µin)	10
Plating min: Mating (µm)	0.25
Plating min: Termination (µin)	80
Plating min: Termination (µm)	2
Polarized to PCB	Yes
Robotic Placement	Metal Cap
Shrouded	Fully
Stackable	No
Temperature Range - Operating	-55°C to +85°C
Termination Interface: Style	Surface Mount

Electrical

Current - Maximum per Contact	0.5A
-------------------------------	------



EU RoHS

ELV and RoHS Compliant
REACH SVHC Contains SVHC: No
Halogen-Free Status

China RoHS



Not Reviewed

Need more information on product environmental compliance?

Email productcompliance@molex.com
 For a multiple part number RoHS Certificate of Compliance, [click here](#)

Please visit the [Contact Us](#) section for any non-product compliance questions.

Search Parts in this Series

[53649Series](#)

Mates With

SlimStack™ Receptacle [52760](#) , [52837](#) , [52885](#) , [52901](#)

Voltage - Maximum

100V

Material Info

Reference - Drawing Numbers

Packaging Specification

Product Specification

SPK-53649-001

PS-52760-015, RPS-52760-017, RPS-52760-018,
RPS-52760-020, RPS-52760-021, RPS-52760-029,

RPS-52901-010

Sales Drawing

SD-52901-015, SD-53649-004, SD-53649-005

This document was generated on 05/26/2010

PLEASE CHECK WWW.MOLEX.COM FOR LATEST PART INFORMATION

10 9 8 7 6 5 4 3 2 1

F

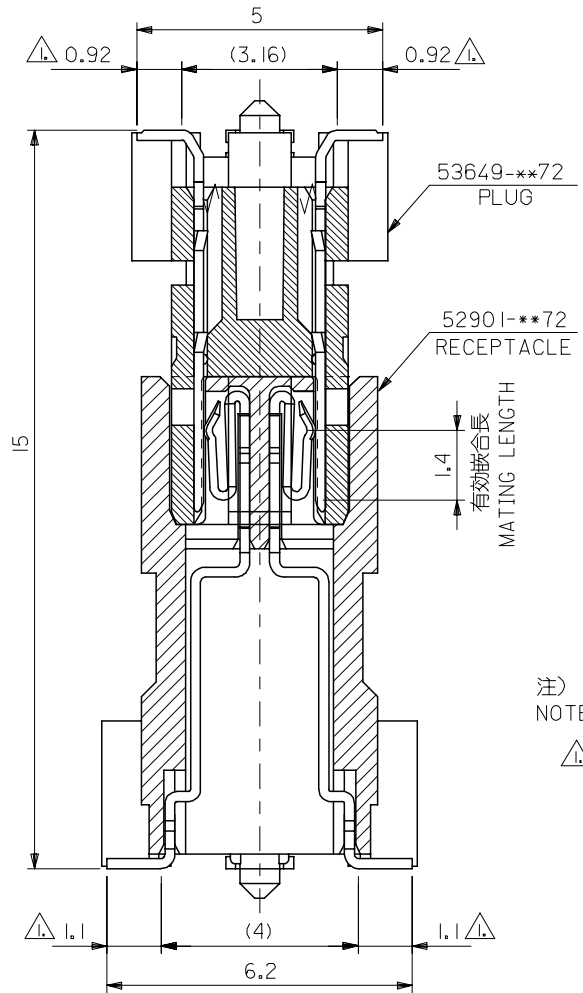
E

D

C

B

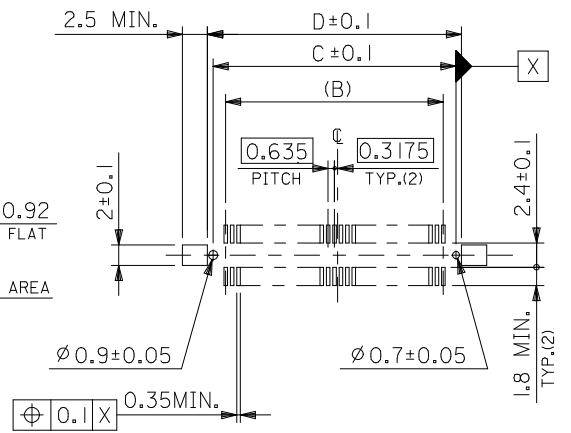
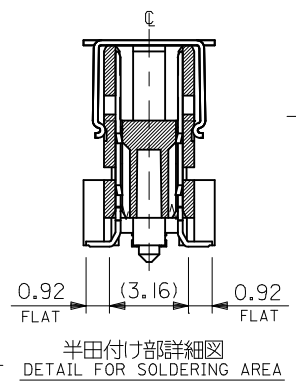
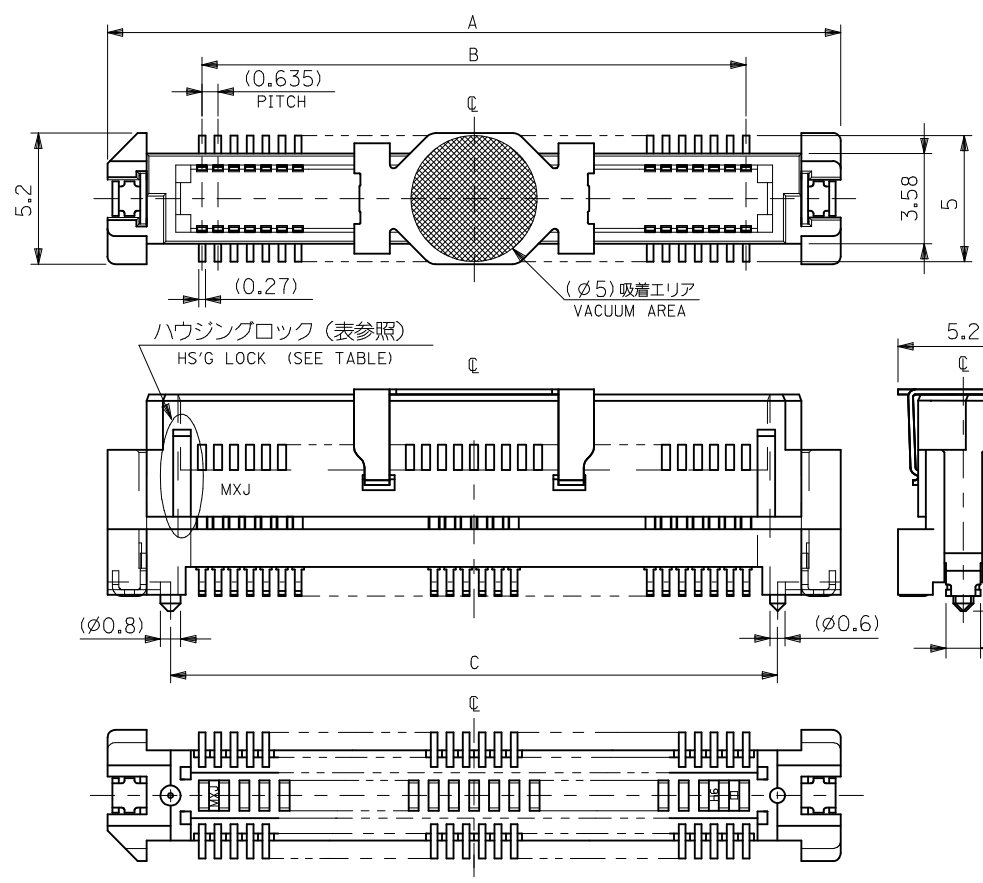
A



注)
NOTE)

△ 基板接地長さ
FLAT AREA

RELEASED EC NO: J2005-3798 DRW: KENSUZUKI 2005/06/20 CHK: D: NUKITA 2005/06/20 APPR: NUKITA 2005/06/23	GENERAL TOLERANCES (UNLESS SPECIFIED)		DIMENSION STYLE MM ONLY		SCALE 10:1	DESIGN UNITS METRIC	THIRD ANGLE PROJECTION	
	10 UNDER	±0.2	DRAWN BY KENSUZUKI	DATE 2005/06/20	TITLE 0.635 PITCH B TO B CONN. 52901/53649 SERIES MATING CROSS SECTION			
	10 OVER 30 UNDER	±0.25	CHECKED BY NUKITA	DATE 2005/06/20				
	30 OVER	±0.3	APPROVED BY NUKITA	DATE 2005/06/20	MOLEX INCORPORATED SEE DRAWING SD-52901-015			
	ANGULAR	±3 °	MATERIAL NO.					
0	DESCRIPTION	DRAFT WHERE APPLICABLE MUST REMAIN WITHIN DIMENSIONS		SIZE A3		THIS DRAWING CONTAINS INFORMATION THAT IS PROPRIETARY TO MOLEX INCORPORATED AND SHOULD NOT BE USED WITHOUT WRITTEN PERMISSION		



注) NOTES

- 材質 MATERIAL
ハウジング: ガラス入りPPS、茶色、UL94V-0
HOUSING: G.F.PPS, BROWN, UL94V-0
ターミナル: 銅合金 (t=0.2)
TERMINAL: COPPER ALLOY
吸着カバー: ステンレス (t=0.2)
VACUUM COVER: STAINLESS STEEL
- メッキ仕様 PLATING
接点部 : 金メッキ 0.25µmMIN.
CONTACT AREA: GOLD 0.25µmMIN.
半田付け部: 銅メッキ 1.0µmMIN.
SOLDER TAIL AREA: TIN 1.0µmMIN.
下地メッキ: ニッケルメッキ 1.5µmMIN.
UNDER-PLATING: NICKEL 1.5µmMIN.
- テールのフラツキ寸法 TAIL COPLANARITY
テール平坦度は、0.1MAX.とする。
TAILS COPLANARITY TO BE 0.1MAX.

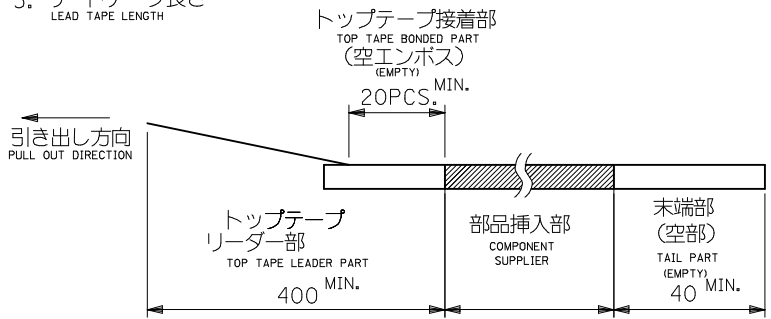
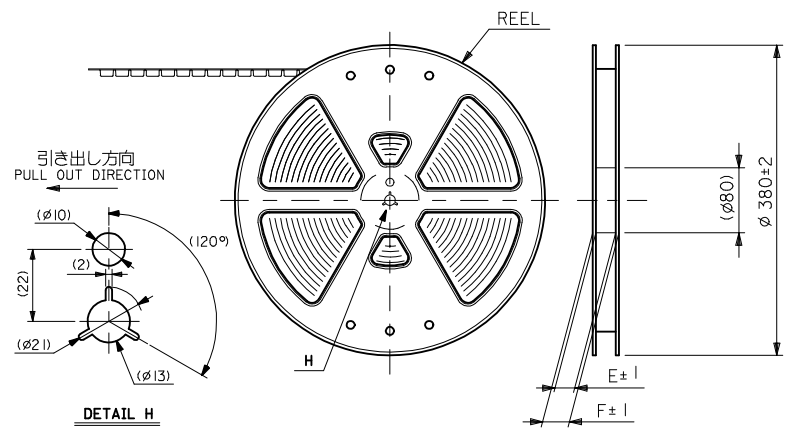
4. 本製品は 53649-***2 の鉛フリー品である。
THIS PRODUCT IS LEAD FREE OF 53649-***2

	47.42	46.32	43.815	51.32	—#—	53649-1475	53649-1472	140
無し NO	34.72	33.62	31.115	38.62	53649-1074	53649-1072	53649-1072	100
	28.37	27.27	24.765	32.27	53649-0874	53649-0875	53649-0872	80
有り YES	22.02	20.92	18.415	25.92	53649-0674	53649-0675	53649-0672	60
	15.67	14.57	12.065	19.57	53649-0474	53649-0475	53649-0472	40
	12.5	11.4	8.89	16.4	53649-0374	53649-0375	53649-0372	30
ハウジング HS'G LOCK	D	C	B	A	エンボス梱包 EMBOSSED PACKAGING	スティック梱包 STICK PACKAGING	製品番号 MATERIAL NO.	極数 CKT. NO.

REVISED EC NO: J2009-0280 DRWN: MAKURAA 2008/08/01 CHKD: T. HARIYAMA 2008/08/01 APPR: NUKITA 2008/12/19	GENERAL TOLERANCES (UNLESS SPECIFIED)		DIMENSION STYLE MM ONLY	SCALE ---	DESIGN UNITS METRIC	MODEL NO. 53649-***72
	10 UNDER	±0.2	DRAWN BY M. NABEI	DATE '04/02/25	TITLE 0.635 B/B CONN. PLUG HS'G COVER ASS'Y -LEAD FREE-	THIRD ANGLE PROJECTION
	10 OVER 30 UNDER	±0.25	CHECKED BY K. TOJO	DATE '04/02/25	MATERIAL NO. SEE CHART	DOCUMENT NO. SD-53649-004
	30 OVER	±0.3	APPROVED BY M. SASAO	DATE '04/02/25	SIZE A3	SHEET NO. 1 OF 1
	ANGULAR ±3 °		THIS DRAWING CONTAINS INFORMATION THAT IS PROPRIETARY TO MOLEX INCORPORATED AND SHOULD NOT BE USED WITHOUT WRITTEN PERMISSION			
	DRAFT WHERE APPLICABLE MUST REMAIN WITHIN DIMENSIONS					

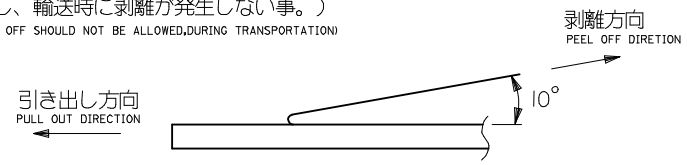
注)
NOTES

- 製品番号 53649-***72の詳細寸法については、SD-53649-004 を参照下さい。
IN THE PACKAGE , PART NO. 53649-***72 DETAILED DIMENSIONS , SEE SD-53649-004
- 梱包数量 : 760 個/リール
NUMBER OF CONNECTORS : 760 PCS/REEL
- リードテープ長さ
LEAD TAPE LENGTH



- トップテープの剥離強度 (剥離方向は下図参照)
PEELING OFF FORCE OF TOP TAPE (PEELING DIRECTION AS SHOWN IN FOLLOWING FIG.)
0. 1~1. 3N {10~130gf}

尚、本規格値は、出荷時に適用。
THIS REQUIREMENT SHOULD BE APPLIED AT SHIPMENT
(但し、輸送時に剥離が発生しない事。)
(PEEL OFF SHOULD NOT BE ALLOWED, DURING TRANSPORTATION)



- 材料
MATERIAL
キャリアテープ : ポリプロピレン (PP)
CARRIER TAPE : POLYPROPYLENE (PP)
トップテープ : PET, PE, PEF
TOP TAPE : PET, PE, PEF
リール : 紙
REEL : CARD BOARD
- 本製品は 53649-***4 の鉛フリー品である。
THIS PRODUCT IS LEAD FREE OF 53649-***4

REVISED EC NO. : J2009-0280 DRWN:NAKAMURA 2008/08/01 CHKD:T. HARUYAMA 2008/08/01 APPR:NUKITA 2008/12/19	DESCRIPTION REV	GENERAL TOLERANCES (UNLESS SPECIFIED)		DIMENSION STYLE MM ONLY		SCALE ---	DESIGN UNITS METRIC	THIRD ANGLE PROJECTION		
		10 UNDER	± ---	DRAWN BY M. NABEI	DATE '04/02/25	TITLE EMBOSSSED TAPE PACKAGE FOR 53649-***72 -LEAD FREE-				
		10 OVER 30 UNDER	± ---	CHECKED BY K. TOJO	DATE '04/02/25	MOLEX MOLEX INCORPORATED				
		30 OVER	± ---	APPROVED BY M. SASAO	DATE '04/2/25	DOCUMENT NO. SD-53649-005				
ANGULAR ± --- °		DRAFT WHERE APPLICABLE MUST REMAIN WITHIN DIMENSIONS		MATERIAL NO. SEE SHEET 2 OF 2		SHEET NO. 1 OF 2				
SIZE A3 THIS DRAWING CONTAINS INFORMATION THAT IS PROPRIETARY TO MOLEX INCORPORATED AND SHOULD NOT BE USED WITHOUT WRITTEN PERMISSION										

10 9 8 7 6 5 4 3 2 1

F

E

D

C

B

A

F

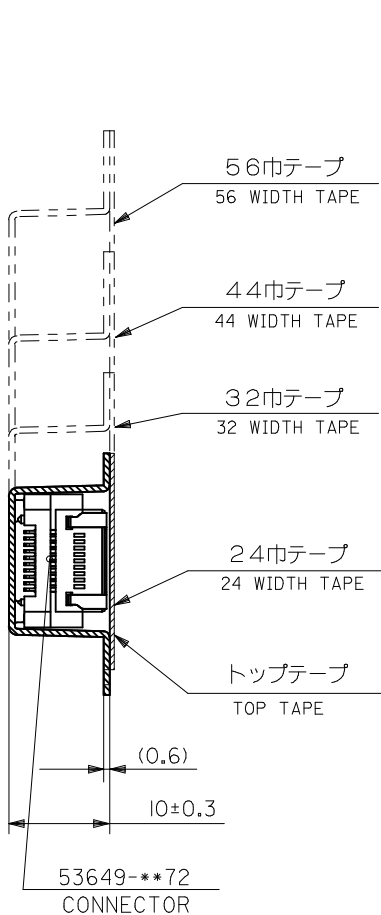
E

D

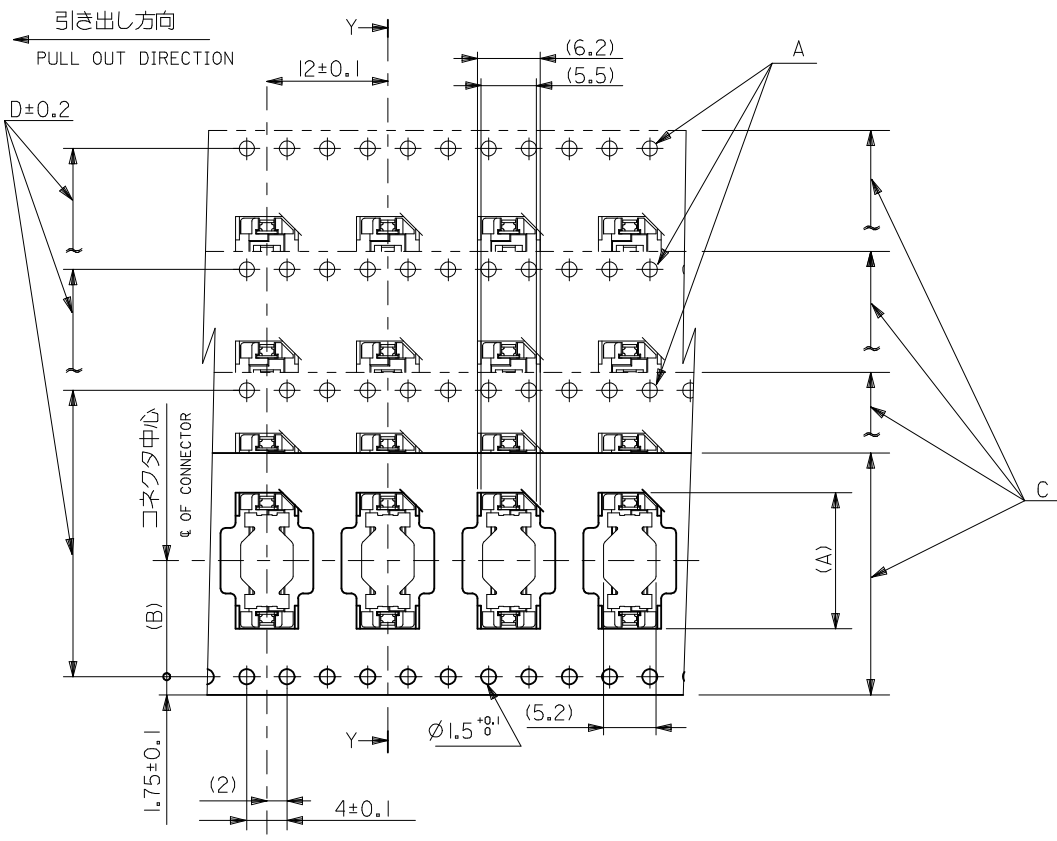
C

B

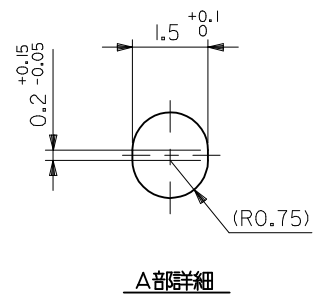
A



断面 Y-Y
SECTION Y-Y



累積ピッチ : 40±0.2
ACCUMULATIVE
PITCH : 40±0.2



61.4	57.4	52.4	56 ^{+0.3}	26.2	38.9	53649-1074	100
49.4	45.4	40.4	44 ^{+0.3}	20.2	32.6	53649-0874	80
37.4	33.4	28.4	32 ^{+0.3}	14.2	26.2	53649-0674	60
29.4	25.4	#	24 ^{+0.3}	11.5	19.9	53649-0407	40
F	E	D	C	(B)	(A)	MATERIAL NO.	極数 NO. OF CXTS.
						MODEL NO.	53649-**-74

REVISED EC NO: J2009-0280 DRWN: MAKURAA 2008/08/01 CHKD: T. HARUYAMA 2008/08/01 APPR: NUKITA 2008/12/19	GENERAL TOLERANCES (UNLESS SPECIFIED)		DIMENSION STYLE MM ONLY		SCALE ---	DESIGN UNITS METRIC		THIRD ANGLE PROJECTION	
	10 UNDER ± ---	10 OVER 30 UNDER ± ---	30 OVER ± ---	DRAWN BY M. NABEI	DATE '04/02/25	TITLE EMBOSSED TAPE PACKAGE FOR 53649-**-72 -LEAD FREE-			
	ANGULAR ± --- °			CHECKED BY K. TOJO	DATE '04/02/25	MOLEX INCORPORATED			
	DRAFT WHERE APPLICABLE MUST REMAIN WITHIN DIMENSIONS			APPROVED BY M. SASAO	DATE '04/02/25	MATERIAL NO. SEE CHART	DOCUMENT NO. SD-53649-005	SHEET NO. 2 OF 2	
THIS DRAWING CONTAINS INFORMATION THAT IS PROPRIETARY TO MOLEX INCORPORATED AND SHOULD NOT BE USED WITHOUT WRITTEN PERMISSION									



Компания «ЭлектроПласт» предлагает заключение долгосрочных отношений при поставках импортных электронных компонентов на взаимовыгодных условиях!

Наши преимущества:

- Оперативные поставки широкого спектра электронных компонентов отечественного и импортного производства напрямую от производителей и с крупнейших мировых складов;
- Поставка более 17-ти миллионов наименований электронных компонентов;
- Поставка сложных, дефицитных, либо снятых с производства позиций;
- Оперативные сроки поставки под заказ (от 5 рабочих дней);
- Экспресс доставка в любую точку России;
- Техническая поддержка проекта, помощь в подборе аналогов, поставка прототипов;
- Система менеджмента качества сертифицирована по Международному стандарту ISO 9001;
- Лицензия ФСБ на осуществление работ с использованием сведений, составляющих государственную тайну;
- Поставка специализированных компонентов (Xilinx, Altera, Analog Devices, Intersil, Interpoint, Microsemi, Aeroflex, Peregrine, Syfer, Eurofarad, Texas Instrument, Miteq, Cobham, E2V, MA-COM, Hittite, Mini-Circuits, General Dynamics и др.);

Помимо этого, одним из направлений компании «ЭлектроПласт» является направление «Источники питания». Мы предлагаем Вам помощь Конструкторского отдела:

- Подбор оптимального решения, техническое обоснование при выборе компонента;
- Подбор аналогов;
- Консультации по применению компонента;
- Поставка образцов и прототипов;
- Техническая поддержка проекта;
- Защита от снятия компонента с производства.



Как с нами связаться

Телефон: 8 (812) 309 58 32 (многоканальный)

Факс: 8 (812) 320-02-42

Электронная почта: org@eplast1.ru

Адрес: 198099, г. Санкт-Петербург, ул. Калинина, дом 2, корпус 4, литера А.