

PLEASE CHECK WWW.MOLEX.COM FOR LATEST PART INFORMATION

Part Number: [0761368501](#)
Status: **Active**
Overview: [vhdm_h](#)
Description: 2.00mm (.079") Pitch VHDM® H Board-to-Board Backplane Header, Vertical, 8-Row, Guide Pin, Shield End Module, Open End Version, 80 Circuits, Pin Length 4.75mm (.187"), Lead Free

Documents:

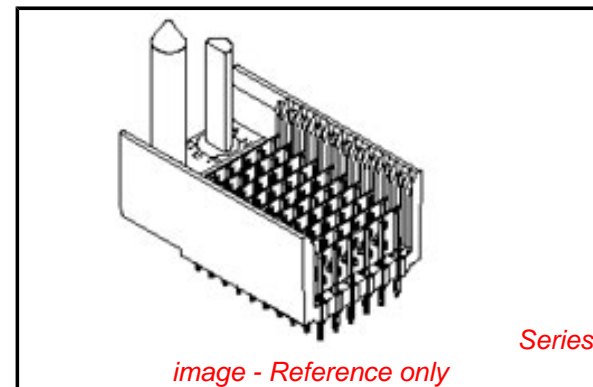
[Drawing \(PDF\)](#) [RoHS Certificate of Compliance \(PDF\)](#)
[Product Specification PS-74031-999 \(PDF\)](#)

General

Product Family	Backplane Connectors
Series	74061
Application	Backplane
Comments	No Keying Position
Component Type	PCB Header
Overview	vhdm_h
Product Name	VHDM® - H Series
Style	N/A

Physical

Circuits (Loaded)	200
Circuits (maximum)	200
Color - Resin	Black
Durability (mating cycles max)	200
First Mate / Last Break	No
Guide to Mating Part	Yes
Keying to Mating Part	None
Material - Metal	Copper Alloy
Material - Plating Mating	Gold
Material - Plating Termination	Tin
Material - Resin	High Temperature Thermoplastic
Number of Columns	25
Number of Pairs	Open Pin Field
Number of Rows	8
Orientation	Vertical
PC Tail Length (in)	0.072 In
PC Tail Length (mm)	1.83 mm
PCB Locator	No
PCB Retention	None
PCB Thickness Recommended (in)	0.072 In
PCB Thickness Recommended (mm)	1.83 mm
Packaging Type	Tube
Pitch - Mating Interface (in)	0.079 In
Pitch - Mating Interface (mm)	2.00 mm
Pitch - Term. Interface (in)	0.089 In
Pitch - Term. Interface (mm)	2.25 mm
Plating min: Mating (µin)	30
Plating min: Mating (µm)	0.75
Plating min: Termination (µin)	30
Plating min: Termination (µm)	0.75
Polarized to PCB	Yes
Stackable	No
Surface Mount Compatible (SMC)	Yes
Temperature Range - Operating	-55°C to +85°C



EU RoHS

ELV and RoHS Compliant
REACH SVHC
 Not Reviewed
Halogen-Free Status
 Not Reviewed

China RoHS



Need more information on product environmental compliance?

Email productcompliance@molex.com
 For a multiple part number RoHS Certificate of Compliance, [click here](#)

Please visit the [Contact Us](#) section for any non-product compliance questions.

Search Parts in this Series

[74061Series](#)

Application Tooling | [FAQ](#)

Tooling specifications and manuals are found by selecting the products below. Crimp Height Specifications are then contained in the Application Tooling Specification document.

Global

Description	Product #
VHDM® Signal Pin	0622015700
Insert Repair Tool	
VHDM® 8 Row Pin and Shield Repair Tool	0622015900
VHDM® 8 Row Shield Extraction Tool	0622016100
VHDM® Insertion Module for Standard Shield Signal Header, 8 Row by	0622020210

Termination Interface: Style

Through Hole - Compliant Pin

25 Wide, 50.00mm
(1.97")

Electrical

Current - Maximum per Contact

1A

Data Rate

6.25 Gbps

Real Signals (per 25mm)

75

Shield Type

Ground Plane Shield

Shielded

Yes

Voltage - Maximum

120V AC (RMS)/DC

Material Info

Reference - Drawing Numbers

Packaging Specification

PK-74061-003

Product Specification

PS-74031-999

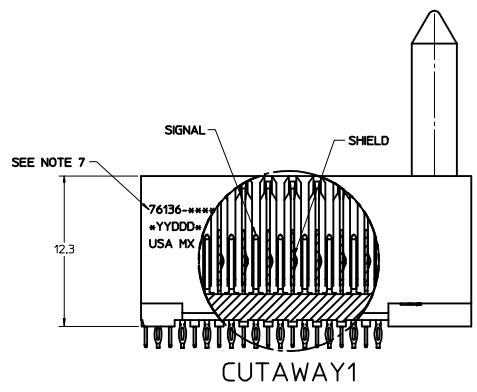
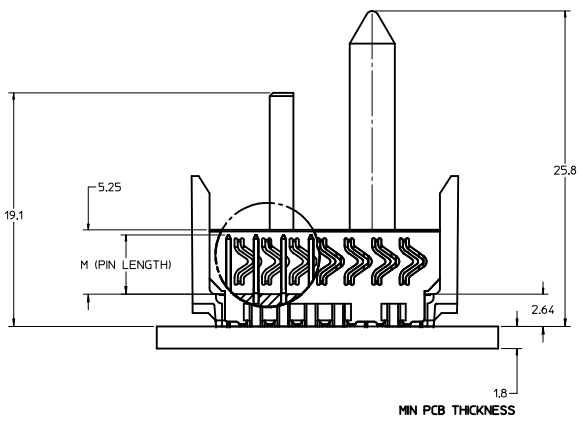
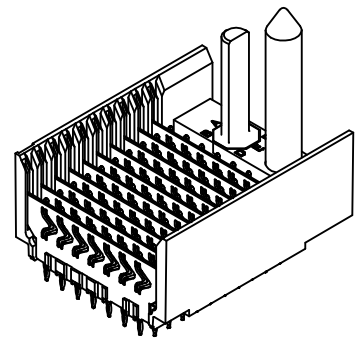
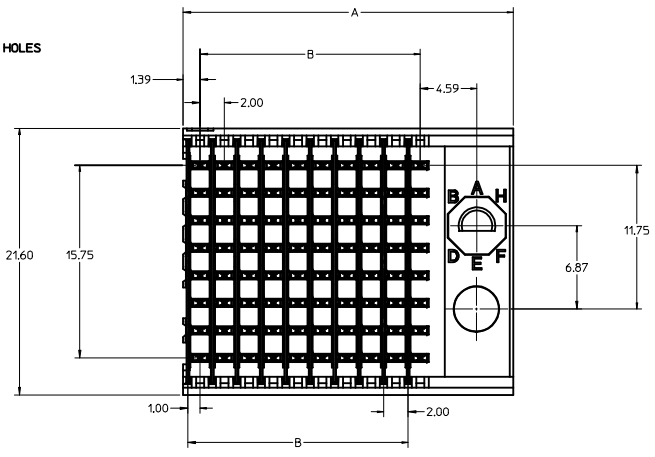
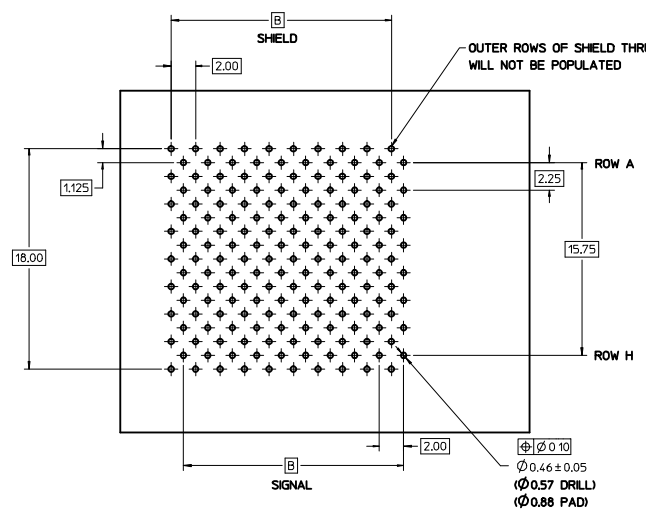
Sales Drawing

SD-76136-001

VHDM and Very High Density Metric are trademarks of Amphenol Corporation

This document was generated on 05/27/2010

PLEASE CHECK WWW.MOLEX.COM FOR LATEST PART INFORMATION



- NOTES:
1. MATERIALS:
HOUSING - LIQUID CRYSTAL POLYMER (LCP)
GLASS FILLED, UL94V-0, BLACK
SIGNAL PIN AND SHIELD - COPPER ALLOY
 2. FINISHES:
CONTACT AREA - SELECTIVE GOLD (Au)
PCB TAILS - SELECTIVE TIN/LEAD (SnPb) OR MATTE TIN (Sn)
 3. THIS PART CONFORMS TO MOLEX PRODUCT SPECIFICATION PS-74031-999.
 4. FOR MIXED CONTACT LENGTH CONTACT MOLEX FOR AVAILABILITY.
 5. FOR SPECIFIC MATERIAL NUMBERS AND MATING INFORMATION REFER TO SHEET 2.
 6. PACKAGE PER PK-74061-003.
 7. ASSEMBLY WILL BE MARKED WITH P/N AND DATE CODE WITH LASER MARK ON SIDE OF HOUSING OR BY LABEL ON THE TUBE.

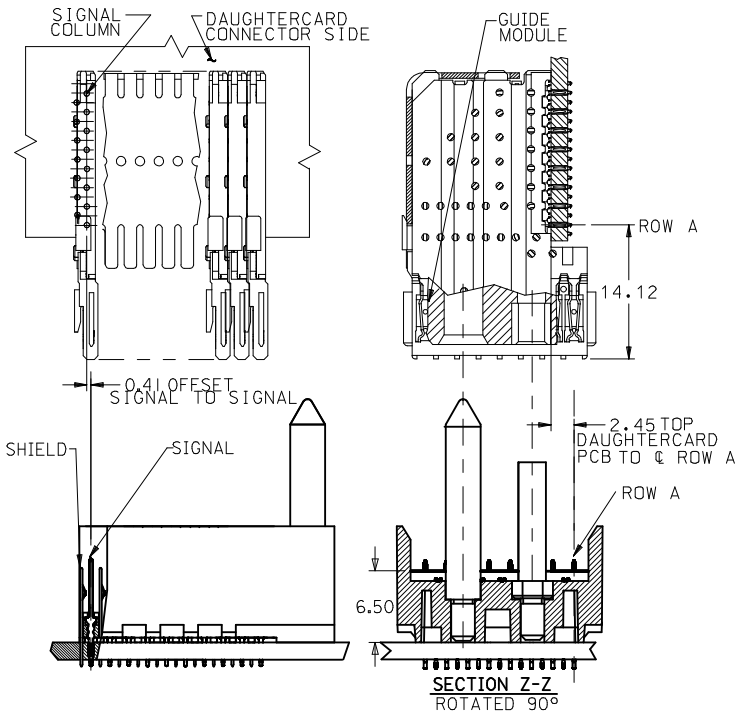
INITIAL RELEASE EC NO. UCP2008-2748 DRAWN: JONI AK 2008/12/01 CHKD: JONI AK 2008/12/02 APPR: JLAURY 2008/12/03	QUALITY SYMBOLS	GENERAL TOLERANCES (UNLESS SPECIFIED)	DIMENSION STYLE	SCALE	DESIGN UNITS	THIRD ANGLE PROJECTION
	▽=0 ▽=0	mm INCH 4 PLACES ± --- ± --- 3 PLACES ± --- ± --- 2 PLACES ± 0.15 ± --- 1 PLACE ± 0.25 ± --- ANGULAR ± 1/2°	MM ONLY	5:1	METRIC	DRAWN BY: JONI AK CHECKED BY: BINGHAM APPROVED BY: BINGHAM DATE: 2008/04/11 DATE: 2008/04/11 DATE: 2008/04/11
	DRAFT WHERE APPLICABLE MUST REMAIN WITHIN DIMENSIONS	MATERIAL NO. SEE PAGE 2	TITLE VHDM H-SERIES 8 ROW SHIELD END BACKPLANE SALES DRAWING	MOLEX INCORPORATED	SHEET NO. 1 OF 2	
	REV 1 DESCRIPTION	THIS DRAWING CONTAINS INFORMATION THAT IS PROPRIETARY TO MOLEX INCORPORATED AND SHOULD NOT BE USED WITHOUT WRITTEN PERMISSION	DOCUMENT NO. SD-76136-001			

M/N 76136-()	---0*	---1*	---2*	---3*	---4*	---5*	---6*	---7*	---8*
KEYING PIN ORIENTATION									

76136 - * * * *

NUMBER OF COLUMNS/PLATING
 10 = 10 COLUMN TIN/LEAD
 25 = 25 COLUMN TIN/LEAD
 90 = 10 COLUMN MATTE TIN
 85 = 25 COLUMN MATTE TIN

CONTACT LOAD
 (PIN LENGTH)
 1 & 6 = 4.75
 2 & 7 = 6.25
 3 & 8 = 4.25
 4 & 9 = 5.15



PART NUMBER	COLUMN	NUMBER OF SIGNAL PIN	NUMBER OF SHIELD	A	B	M	Au (um) THICKNESS	Sn (um) THICKNESS
76136-#0*1	10	80	10	27.00	18.00	4.75	0.76	0.76-1.52
76136-#0*6							1.27	
76136-#5*1	25	200	25	57.00	48.00	6.25	0.76	
76136-#5*6							1.27	
76136-#0*2	10	80	10	27.00	18.00	4.25	0.76	
76136-#0*7							1.27	
76136-#5*2	25	200	25	57.00	48.00	5.15	0.76	
76136-#5*7							1.27	
76136-#0*3	10	80	10	27.00	18.00		0.76	
76136-#0*8							1.27	
76136-#5*3	25	200	25	57.00	48.00		0.76	
76136-#5*8							1.27	
76136-#0*4	10	80	10	27.00	18.00		0.76	
76136-#0*9							1.27	
76136-#5*4	25	200	25	57.00	48.00		0.76	
76136-#5*9							1.27	

INITIAL RELEASE EC NO: UCP2008-2748 DRWN: JONI AK 2008/12/01 CHKD: JONI AK 2008/12/02 APPR: JLAURX 2008/12/03	QUALITY SYMBOLS	GENERAL TOLERANCES (UNLESS SPECIFIED)	DIMENSION STYLE MM ONLY	SCALE 1:1	DESIGN UNITS METRIC	THIRD ANGLE PROJECTION																																	
	$\nabla=0$ $\nabla=0$	<table border="1"> <tr> <th></th> <th>mm</th> <th>INCH</th> </tr> <tr> <td>4 PLACES</td> <td>± .005</td> <td>± .0004</td> </tr> <tr> <td>3 PLACES</td> <td>± .005</td> <td>± .0004</td> </tr> <tr> <td>2 PLACES</td> <td>± 0.15</td> <td>± .006</td> </tr> <tr> <td>1 PLACE</td> <td>± 0.25</td> <td>± .010</td> </tr> </table>		mm	INCH	4 PLACES	± .005	± .0004	3 PLACES	± .005	± .0004	2 PLACES	± 0.15	± .006	1 PLACE	± 0.25	± .010	<table border="1"> <tr> <th>DRAWN BY</th> <th>DATE</th> <th>TITLE</th> </tr> <tr> <td>JONI AK</td> <td>2008/04/11</td> <td>VHDM H-SERIES 8 ROW SHIELD END BACKPLANE SALES DRAWING</td> </tr> <tr> <th>CHECKED BY</th> <th>DATE</th> <th></th> </tr> <tr> <td>BINGHAM</td> <td>2008/04/11</td> <td></td> </tr> <tr> <th>APPROVED BY</th> <th>DATE</th> <th></th> </tr> <tr> <td>BINGHAM</td> <td>2008/04/11</td> <td></td> </tr> </table>	DRAWN BY	DATE	TITLE	JONI AK	2008/04/11	VHDM H-SERIES 8 ROW SHIELD END BACKPLANE SALES DRAWING	CHECKED BY	DATE		BINGHAM	2008/04/11		APPROVED BY	DATE		BINGHAM	2008/04/11		MOLEX INCORPORATED		
		mm	INCH																																				
	4 PLACES	± .005	± .0004																																				
3 PLACES	± .005	± .0004																																					
2 PLACES	± 0.15	± .006																																					
1 PLACE	± 0.25	± .010																																					
DRAWN BY	DATE	TITLE																																					
JONI AK	2008/04/11	VHDM H-SERIES 8 ROW SHIELD END BACKPLANE SALES DRAWING																																					
CHECKED BY	DATE																																						
BINGHAM	2008/04/11																																						
APPROVED BY	DATE																																						
BINGHAM	2008/04/11																																						
1	DESCRIPTION	DRAFT WHERE APPLICABLE MUST REMAIN WITHIN DIMENSIONS	SEE CHART	DOCUMENT NO.	SD-76136-001	SHEET NO. 2 OF 2																																	
			SIZE	THIS DRAWING CONTAINS INFORMATION THAT IS PROPRIETARY TO MOLEX INCORPORATED AND SHOULD NOT BE USED WITHOUT WRITTEN PERMISSION																																			



Компания «ЭлектроПласт» предлагает заключение долгосрочных отношений при поставках импортных электронных компонентов на взаимовыгодных условиях!

Наши преимущества:

- Оперативные поставки широкого спектра электронных компонентов отечественного и импортного производства напрямую от производителей и с крупнейших мировых складов;
- Поставка более 17-ти миллионов наименований электронных компонентов;
- Поставка сложных, дефицитных, либо снятых с производства позиций;
- Оперативные сроки поставки под заказ (от 5 рабочих дней);
- Экспресс доставка в любую точку России;
- Техническая поддержка проекта, помощь в подборе аналогов, поставка прототипов;
- Система менеджмента качества сертифицирована по Международному стандарту ISO 9001;
- Лицензия ФСБ на осуществление работ с использованием сведений, составляющих государственную тайну;
- Поставка специализированных компонентов (Xilinx, Altera, Analog Devices, Intersil, Interpoint, Microsemi, Aeroflex, Peregrine, Syfer, Eurofarad, Texas Instrument, Miteq, Cobham, E2V, MA-COM, Hittite, Mini-Circuits, General Dynamics и др.);

Помимо этого, одним из направлений компании «ЭлектроПласт» является направление «Источники питания». Мы предлагаем Вам помощь Конструкторского отдела:

- Подбор оптимального решения, техническое обоснование при выборе компонента;
- Подбор аналогов;
- Консультации по применению компонента;
- Поставка образцов и прототипов;
- Техническая поддержка проекта;
- Защита от снятия компонента с производства.



Как с нами связаться

Телефон: 8 (812) 309 58 32 (многоканальный)

Факс: 8 (812) 320-02-42

Электронная почта: org@eplast1.ru

Адрес: 198099, г. Санкт-Петербург, ул. Калинина, дом 2, корпус 4, литера А.