

# BF SERIES



## Split Ferrite Suppressors for Round Cables



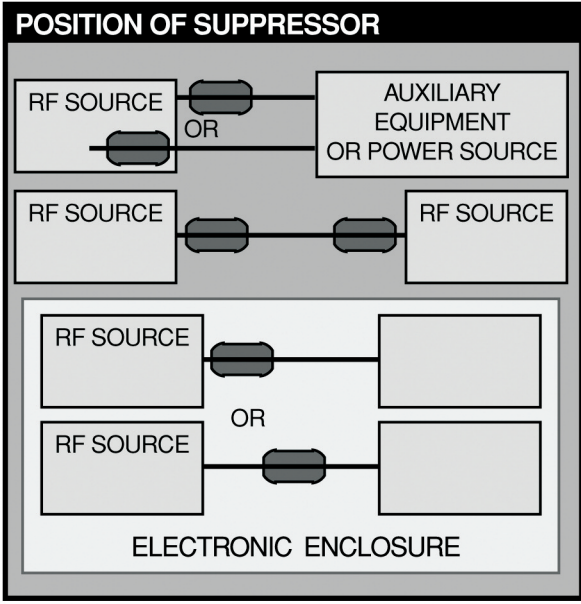
Electronic cables and wires, by virtue of their length-to-width ratios, are perfect natural antennas. In the presence of high speed microprocessor signals, cables will conduct, radiate and/or receive unwanted high frequency interfering signals. Radio interference sources usually radiate their RFI power at frequencies above 30 MHz by way of the main cabling, which acts as an antenna. Control of radio interference can be assured by proper placement of an insertion loss device, such as a ferrite suppressor. Any device used to block an RFI signal between its source and a receiver is an electromagnetic interference (EMI) shield. The measure of this ability to attenuate RFI is shielding effectiveness, "SE", which is expressed in decibels, "dB", the ratio of field strength on one side of the shield to the other side.

One of the most versatile and cost effective shielding methods that can be used today is the API Delevan bisected ferrite cable snap assembly. The bisected styling, or familiar clamshell enclosure design offers the ultimate in adaptability. The RF absorbing material interacts directly with unwanted high frequency energy and dissipates it effectively while allowing data signals to pass unimpeded.

Bisected ferrites have a concentrated, homogeneous magnetic structure with high permeability. These are consistently stable at +20°C to +60°C and provide RF suppression without eddy current losses.

### AIR GAP EFFECT

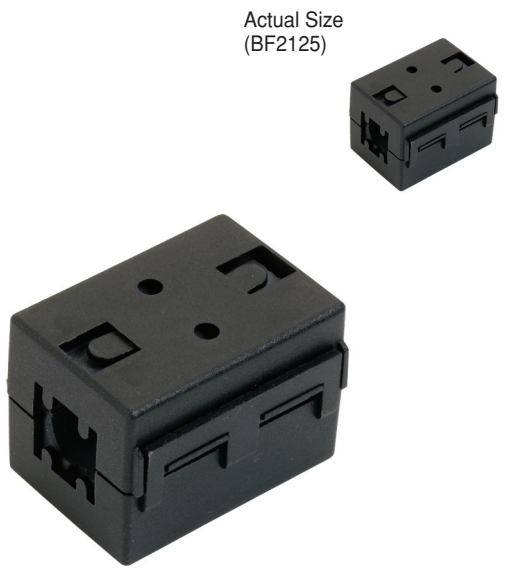
The air gap in bisected ferrites actually extends current carrying capabilities with only an extremely small reduction in impedance versus solid ferrites of the same size. The gap is magnetically insignificant while it is electrically significant as a discontinuity, thereby accommodating more current.



**POSITION OF SUPPRESSOR** The suppressor should normally be located close to the cable termination where it exits the enclosure. Where a cable connects two enclosures containing RF sources, a suppressor on each end may be required. For circuits within an enclosure, a position close to the RF is best. However, other locations along the circuit may work as well.

**Material and U.L. Data** API-1 Material, see characteristics and information in the Technical Notes Section of our website, [www.delevan.com](http://www.delevan.com).

*Continued on next page*



# BF SERIES

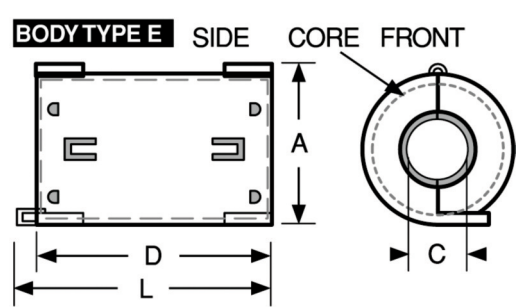
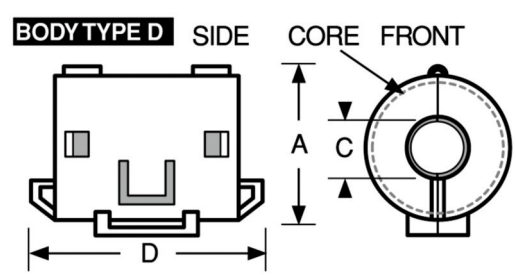
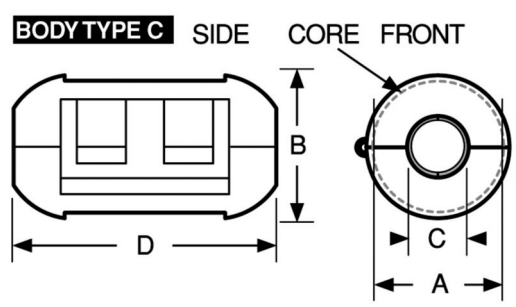
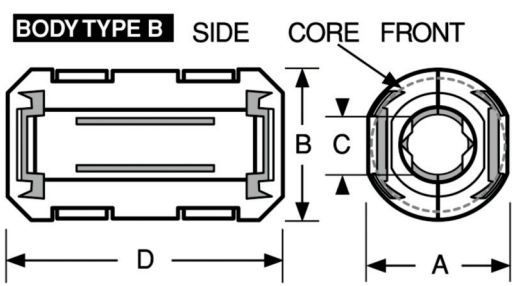
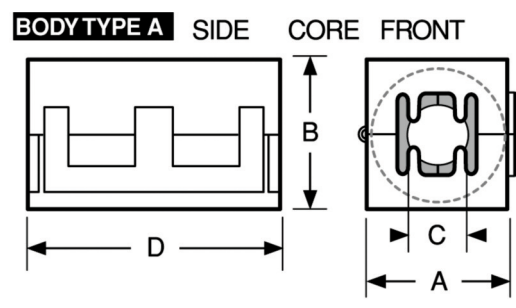


## Suppressors for Round Cables

DIMENSIONS  
Inches ± 0.04; mm ± 1.0

IMPED-  
ANCE  
(OHMS)\*

| PART NUMBER | BODY TYPE UNITS | DIMENSIONS |   |   |   | L | 25 MHz | 100 MHz |
|-------------|-----------------|------------|---|---|---|---|--------|---------|
|             |                 | A          | B | C | D |   |        |         |



| SERIES BF - FOR ROUND CABLES |           |   |              |              |              |              |              |     |     |
|------------------------------|-----------|---|--------------|--------------|--------------|--------------|--------------|-----|-----|
| BF2930                       | in.<br>mm | A | 1.16<br>29.6 | 1.20<br>30.5 | 0.51<br>13.0 | 1.30<br>33.0 | —            | 155 | 257 |
| BF2223                       | in.<br>mm | A | 0.87<br>22.3 | 0.91<br>23.3 | 0.39<br>10.0 | 1.28<br>32.6 | —            | 136 | 250 |
| BF1719                       | in.<br>mm | A | 0.70<br>17.8 | 0.76<br>19.5 | 0.25<br>6.5  | 1.28<br>32.5 | —            | 171 | 325 |
| BF1835                       | in.<br>mm | B | 0.70<br>18.0 | 0.77<br>19.7 | 0.35<br>9.0  | 1.37<br>35.0 | —            | 112 | 172 |
| BF1125-5                     | in.<br>mm | B | 0.46<br>11.7 | 0.51<br>13.0 | 0.19<br>5.0  | 0.98<br>25.0 | —            | 96  | 154 |
| BF1125-3                     | in.<br>mm | B | 0.46<br>11.7 | 0.51<br>13.0 | 0.13<br>3.5  | 0.98<br>25.0 | —            | 139 | 191 |
| BF1429                       | in.<br>mm | C | 0.57<br>14.5 | 0.61<br>15.7 | 0.22<br>5.6  | 1.14<br>29.0 | —            | 85  | 157 |
| BF1225                       | in.<br>mm | C | 0.50<br>12.8 | 0.57<br>14.7 | 0.15<br>4.0  | 0.98<br>25.0 | —            | 82  | 146 |
| BF3024                       | in.<br>mm | D | 1.20<br>30.5 | —            | 0.45<br>11.4 | 0.69<br>17.7 | 0.94<br>24.0 | 51  | 103 |
| BF2125                       | in.<br>mm | D | 0.84<br>21.5 | —            | 0.32<br>8.15 | 0.77<br>19.7 | 1.01<br>25.8 | 50  | 107 |
| BF2123                       | in.<br>mm | D | 0.84<br>21.5 | —            | 0.32<br>8.15 | 0.66<br>16.8 | 0.90<br>23.0 | 42  | 94  |
| BF1835-9                     | in.<br>mm | E | 0.73<br>18.6 | —            | 0.35<br>9.0  | 1.22<br>31.0 | 1.38<br>35.2 | 126 | 174 |
| BF3121                       | in.<br>mm | D | 1.24<br>31.5 | —            | 0.59<br>15.0 | 0.60<br>15.2 | 0.84<br>21.5 | 41  | 95  |

**Physical Parameters**

**Material and U.L. Data** API-1 Material, see characteristics and information in the Technical Notes Section.

\* **Note** Impedance is typical, based on 1/2 turn (4.0") 18 AWG wire. Impedance measurement using HP4191A.

**Color** Black; Special colors Available for bases on a non-cancellable, non returnable basis C = Cream; W = White; Gr = Grey

**U.L. Recognized**

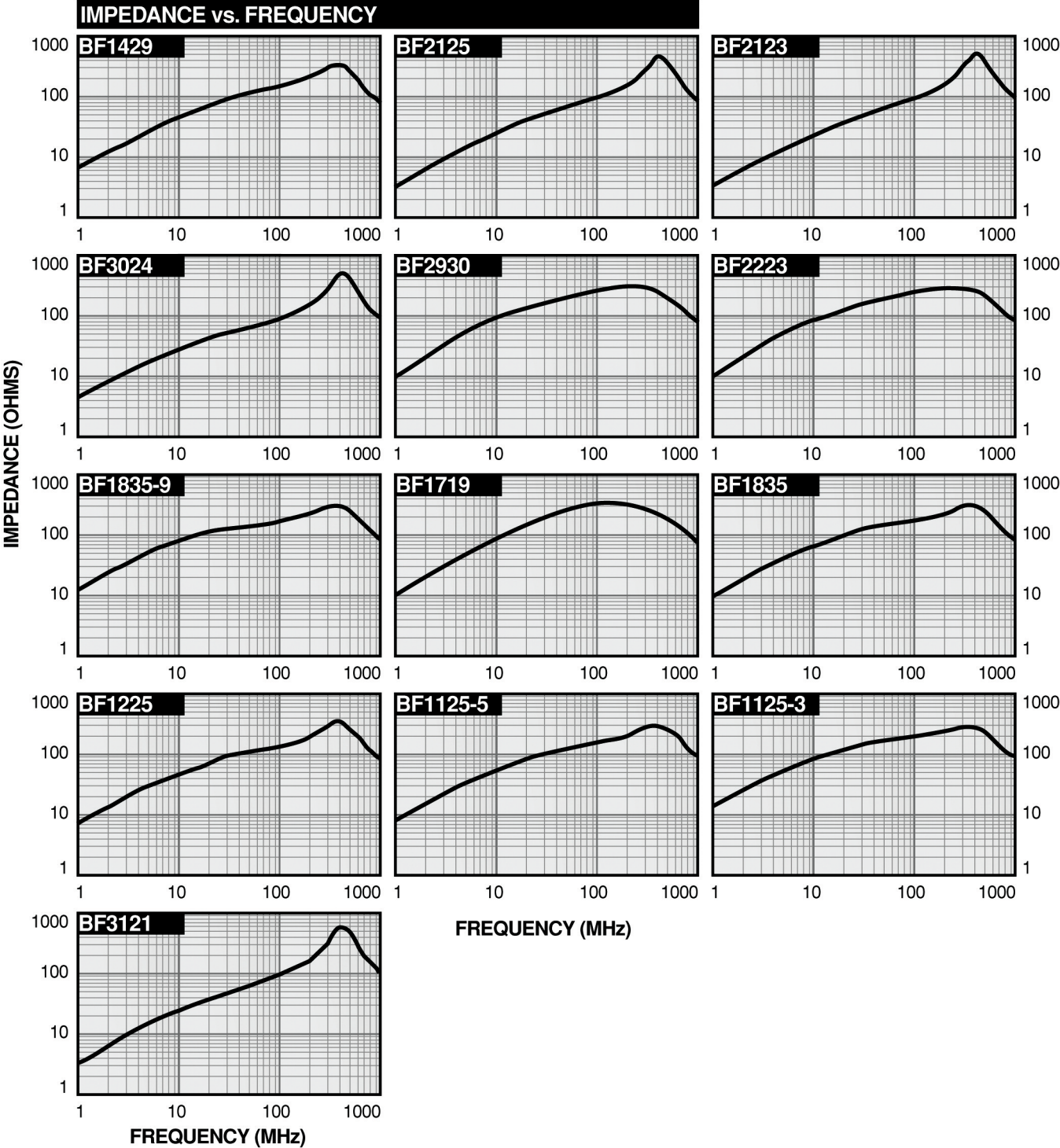
All plastic and adhesive components use U.L. Recognized materials with Flammability Ratings of UL94V-0, UL-510 or UL-746C

**SEE Z vs. f GRAPHS ON NEXT PAGE**

# BF SERIES



## Split Ferrite Suppressors for Round Cables



**Additional Information on Preceding Pages**

**Note** Impedance is typical, based on 1/2 turn (4.0") 18 AWG wire. Impedance measurement using HP4191A





Компания «ЭлектроПласт» предлагает заключение долгосрочных отношений при поставках импортных электронных компонентов на взаимовыгодных условиях!

Наши преимущества:

- Оперативные поставки широкого спектра электронных компонентов отечественного и импортного производства напрямую от производителей и с крупнейших мировых складов;
- Поставка более 17-ти миллионов наименований электронных компонентов;
- Поставка сложных, дефицитных, либо снятых с производства позиций;
- Оперативные сроки поставки под заказ (от 5 рабочих дней);
- Экспресс доставка в любую точку России;
- Техническая поддержка проекта, помощь в подборе аналогов, поставка прототипов;
- Система менеджмента качества сертифицирована по Международному стандарту ISO 9001;
- Лицензия ФСБ на осуществление работ с использованием сведений, составляющих государственную тайну;
- Поставка специализированных компонентов (Xilinx, Altera, Analog Devices, Intersil, Interpoint, Microsemi, Aeroflex, Peregrine, Syfer, Eurofarad, Texas Instrument, Miteq, Cobham, E2V, MA-COM, Hittite, Mini-Circuits, General Dynamics и др.);

Помимо этого, одним из направлений компании «ЭлектроПласт» является направление «Источники питания». Мы предлагаем Вам помощь Конструкторского отдела:

- Подбор оптимального решения, техническое обоснование при выборе компонента;
- Подбор аналогов;
- Консультации по применению компонента;
- Поставка образцов и прототипов;
- Техническая поддержка проекта;
- Защита от снятия компонента с производства.



#### Как с нами связаться

**Телефон:** 8 (812) 309 58 32 (многоканальный)

**Факс:** 8 (812) 320-02-42

**Электронная почта:** [org@eplast1.ru](mailto:org@eplast1.ru)

**Адрес:** 198099, г. Санкт-Петербург, ул. Калинина, дом 2, корпус 4, литера А.