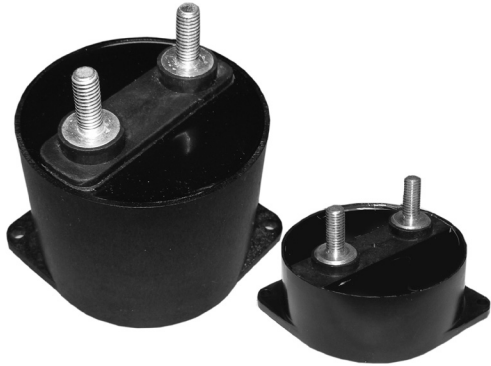


# Type 944U Polypropylene, DC Filter Capacitors

## High Current, Low Profile for Inverter Applications



Type 944U is specifically designed for use in high power DC filtering applications. The low inductance internal construction utilizes low loss metallized polypropylene for high ripple current capability. Male or female terminal options offer design flexibility in a rugged UL 94V0 rated flame retardant plastic case and resin fill. High current ratings and robust mounting flanges make the 944U suited for inverter applications in electric vehicle power inverters, wind power inverters and motor drives.

### Highlights

- Low Inductance
- Low Profile
- Low ESR
- High Ripple Current
- High Voltage Ratings

### Specifications

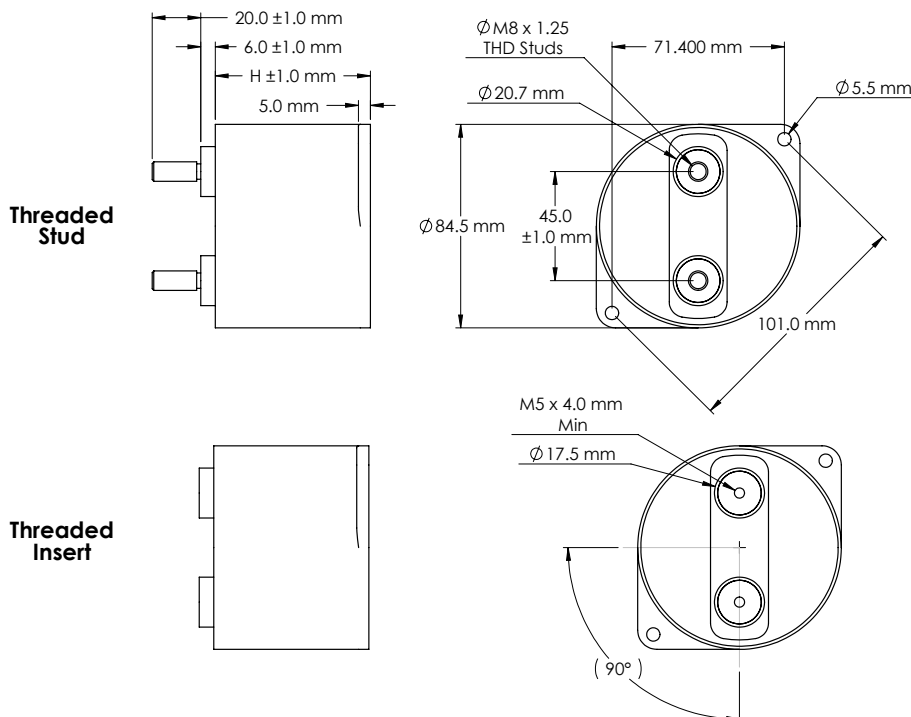
Capacitance Range	33 to 220 $\mu$ F
Capacitance Tolerance	$\pm$ 10% standard
Rated Voltage	800 to 1400 Vdc
Operating Temperature Range with Ripple	-40 $^{\circ}$ C to 85 $^{\circ}$ C
Maximum rms Current	74A @ 55 $^{\circ}$ C
Maximum rms Voltage	230 Vac
Test Voltage between Terminal @ 25 $^{\circ}$ C	150% rated DC voltage for 10 s
Test Voltage between Terminals & Case @ 25 $^{\circ}$ C	4 kVac @ 50/60 Hz for 60 s
Life Test	5000 h @ 85 $^{\circ}$ C, rated voltage

RoHS Compliant

### Dimensions

#### Construction Details

Case Material	Plastic UL94V-0
Resin Material	Dry Resin UL94V-0
Terminal Material	Tin Plated Brass



# Type 944U Polypropylene, DC Filter Capacitors

## High Current, Low Profile for Inverter Applications

### Part Numbering System

<b>944U</b>	<b>101</b>	<b>K</b>	<b>801</b>	<b>A</b>	<b>A</b>	<b>M</b>
<b>Type</b>	<b>Capacitance</b>	<b>Tolerance</b>	<b>Voltage</b>	<b>Diameter D (mm)</b>	<b>Height H (mm)</b>	<b>Terminal</b>
944U	101 = 100 $\mu$ F 700 = 70 $\mu$ F 470 = 47 $\mu$ F	K = $\pm$ 10%	801 = 800 Vdc 102 = 1000 Vdc 122 = 1200 Vdc 142 = 1400 Vdc	A = 84.5	A = 40 B = 51 C = 64	M = M8 Thd Stud I = M5 Thd Insert

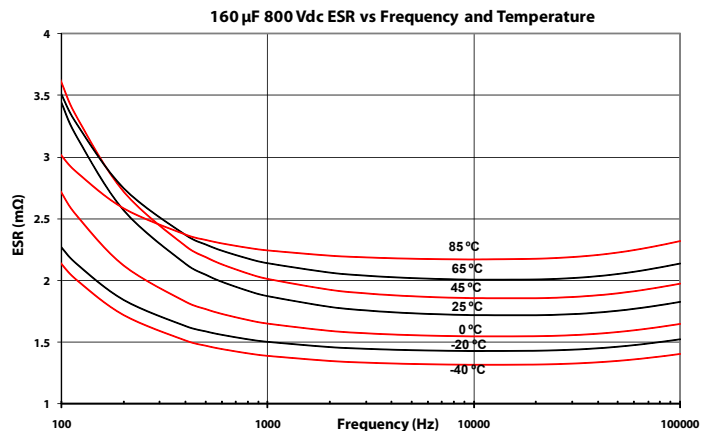
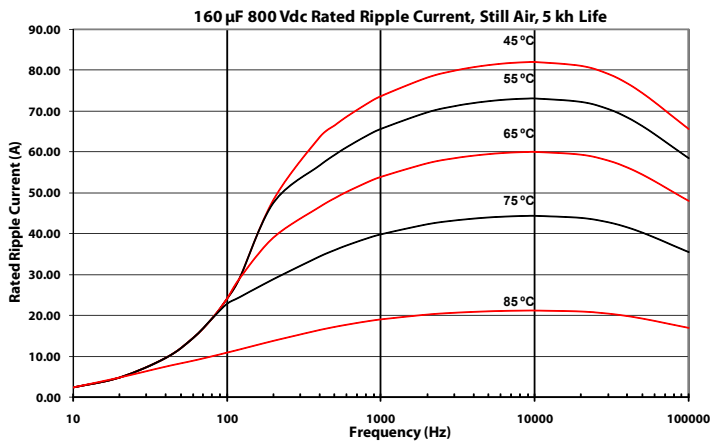
### Ratings

**NOTE:** Other ratings, sizes and performance specifications are available. Contact us.

Catalog Part Number	Cap ( $\mu$ F)	Rated Voltage (Vdc)	H Height mm	Max ESR 10kHz (m $\Omega$ )	Typical ESL (nH)	Max Irms 55°C (A)	Thermal Resistance	
							$\Theta_{cc}$ ( $^{\circ}$ C/W)	$\Theta_{ca}$ ( $^{\circ}$ C/W)
944U101K801AA*	100	800	40	0.5	20	74	2.8	5.2
944U161K801AB*	160	800	51	0.8	30	73	3.0	4.5
944U221K801AC*	220	800	64	1.0	40	72	3.1	4.0
944U660K102AA*	66	1000	40	0.6	20	70	2.8	5.2
944U101K102AB*	100	1000	51	0.8	30	68	3.0	4.5
944U141K102AC*	140	1000	64	1.0	40	65	3.1	4.0
944U470K122AA*	47	1200	40	0.7	20	67	2.8	5.2
944U700K122AB*	70	1200	51	1.0	30	65	3.0	4.5
944U101K122AC*	100	1200	64	1.3	40	64	3.1	4.0
944U330K142AA*	33	1400	40	0.8	20	64	2.8	5.2
944U520K142AB*	52	1400	51	1.1	30	60	3.0	4.5
944U700K142AC*	70	1400	64	1.4	40	59	3.1	4.0

\* M = M8 Stud I = M5 Insert

### Typical Performance Curves



# Type 944U Polypropylene, DC Filter Capacitors

## High Current, Low Profile for Inverter Applications

### Expected Lifetime Predictions

To use the Expected Lifetime curves calculate  $V_a/V_r$  and core temperature T. Start by estimating:

- Applied dc voltage  $V_a$
- Ripple Current I
- Ripple Frequency f
- Ambient Temperature  $T_a$
- Airflow speed v

Units:

- $A = m^2$                        $T, T_a \text{ \& } T_c = ^\circ C$
- $C = \mu F$                        $\theta, \theta_{ca} \text{ \& } \theta_{cc} = ^\circ C/W$
- $ESR = m\Omega$                        $v = m/s$
- $f = kHz$                        $V_a \text{ \& } V_r = V_{dc}$
- $I = A$

NOTE: The temperature rise in the 944U is  $I^2(ESR)$  times the thermal resistance  $\theta$ . The ESR is mainly the metal resistance; the metal resistance is the 10 kHz ESR. For operation below 10kHz add the dielectric resistance. It is the dielectric dissipation factor—no more than 0.0002—times the capacitive reactance, i.e.,  $0.0002 / (2\pi fC)$ . That's equal to  $31.83 / (fC)$ .

1. Start with the 10 kHz ESR from the Ratings table. If frequency is less than 10 kHz, add  $31.83 / (fC)$ .

2. Compute total thermal resistance  $\theta$  as the sum of core-to-case thermal resistance  $\theta_{cc}$  and case-to-ambient thermal resistance  $\theta_{ca}$ . Both are in the Ratings table but  $\theta_{ca}$  is for still air and  $\theta_{cc}$  is for 10 kHz or less. For frequency  $> 10$  kHz multiply  $\theta_{cc}$  by  $[1 + (f - 10) / 100]$ , e.g., for 75 kHz multiply  $\theta_{cc}$  by 1.65. For moving air use the capacitor surface area A and airflow speed v to calculate  $\theta_{ca} = 1 / [A(5 + 17.5(v + 0.1)^{0.66})]$ .

3. Compute  $V_a/V_r$  and the core temperature T.  
 $T = T_a + I^2(ESR)\theta$

4. Look up estimated lifetime from the Expected Lifetime curves.

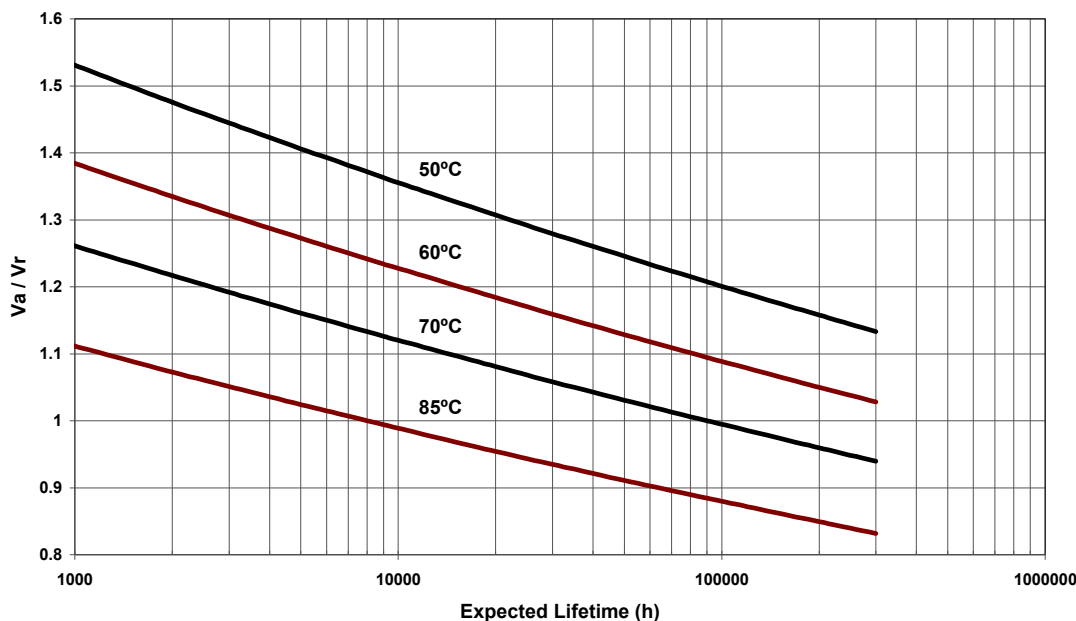
5. If you want a longer expected lifetime, choose a capacitor with higher voltage rating or consider using multiple capacitors in parallel to share the ripple current.

The expected lifetime predictions assume no exposure to overvoltage transients. Expected lifetime can be calculated for varying exposure to overvoltage transients. As an illustration at 50 °C the expected lifetime is 100,000 h with the 24-hour  $V_a/V_r$  profile below:

$V_a / V_r$	Duration
1.67	100 ms
1.50	5 minutes
1.30	2.5 hours
1.10	9.6 hours
1.00	11.9 hours

For applications with more severe 24-hour profiles, contact us.

### Expected Lifetime vs Hot Spot Temperature and Applied DC Voltage





Компания «ЭлектроПласт» предлагает заключение долгосрочных отношений при поставках импортных электронных компонентов на взаимовыгодных условиях!

Наши преимущества:

- Оперативные поставки широкого спектра электронных компонентов отечественного и импортного производства напрямую от производителей и с крупнейших мировых складов;
- Поставка более 17-ти миллионов наименований электронных компонентов;
- Поставка сложных, дефицитных, либо снятых с производства позиций;
- Оперативные сроки поставки под заказ (от 5 рабочих дней);
- Экспресс доставка в любую точку России;
- Техническая поддержка проекта, помощь в подборе аналогов, поставка прототипов;
- Система менеджмента качества сертифицирована по Международному стандарту ISO 9001;
- Лицензия ФСБ на осуществление работ с использованием сведений, составляющих государственную тайну;
- Поставка специализированных компонентов (Xilinx, Altera, Analog Devices, Intersil, Interpoint, Microsemi, Aeroflex, Peregrine, Syfer, Eurofarad, Texas Instrument, Miteq, Cobham, E2V, MA-COM, Hittite, Mini-Circuits, General Dynamics и др.);

Помимо этого, одним из направлений компании «ЭлектроПласт» является направление «Источники питания». Мы предлагаем Вам помощь Конструкторского отдела:

- Подбор оптимального решения, техническое обоснование при выборе компонента;
- Подбор аналогов;
- Консультации по применению компонента;
- Поставка образцов и прототипов;
- Техническая поддержка проекта;
- Защита от снятия компонента с производства.



#### Как с нами связаться

**Телефон:** 8 (812) 309 58 32 (многоканальный)

**Факс:** 8 (812) 320-02-42

**Электронная почта:** [org@eplast1.ru](mailto:org@eplast1.ru)

**Адрес:** 198099, г. Санкт-Петербург, ул. Калинина, дом 2, корпус 4, литера А.