

CABLE PULL NOMENCLATURE

CLS 

BODY CODE	
A	PG13.5
B	1/2 NPT
C	20MM
D	PF 1/2
E	3/4 NPT

BASIC SWITCH CODE	
1	1NC DIRECT ACTING
2	1NO - 1NC SNAP ACTION (HDL) MOMENTARY HEADS ONLY
3	1NO - 1NC SNAP ACTION (GLS) MOMENTARY HEADS ONLY
4	1NO - 1NC DIRECT ACTING
5	1NO - 1NC DIRECT ACTING 240V NEON INDICATOR
6	1NO - 1NC DIRECT ACTING 120V NEON INDICATOR
7	1NO - 1NC DIRECT ACTING 24V LED INDICATOR
8	2NC DIRECT ACTING
9	SPECIAL BASIC SEE LETTERED MOD CODES

OPERATING HEAD CODE	
A	"MAINTAINED"
B	"MOMENTARY"
N	"MOMENTARY" W/O BROKEN CABLE DETECTION
T	"MAINTAINED" SNAP ACTION

MODIFICATION CODES *	
B	1NO-3NC SLOW ACTING
E	2NO-2NC SLOW ACTING
G	5-PIN CONNECTOR BRAD HARRISON P/N 41310 OR EQUIV.
N	240V NEON INDICATOR W/SPEC. BASIC
M	120V NEON INDICATOR W/SPEC. BASIC
P	24V LED INDICATOR W/SPEC. BASIC
1	HEAD ORIENTED LEFT
2	HEAD ORIENTED FRONT
3	HEAD ORIENTED REAR

*WHEN MORE THAN ONE MODIFICATION CODE IS SPECIFIED THEY SHALL BE LISTED IN ASCENDING ALPHA-NUMERIC ORDER

NOTE:

- 1 - COVER AND OPERATING HEAD ATTACHED WITH "T-15" TAMPER PROOF TORX DRIVE SCREWS
- 2 - HARDWARE PACKET CONSISTING OF TURNBUCKLE, NUTS, END SPRING, AND "T-15" TAMPER PROOF TORX DRIVER BIT INCLUDED WITH PRODUCT
- 3 - OPERATING HEAD MAY BE POSITIONED IN ANY OF FOUR DIRECTIONS
- 4 - NOMENCLATURE IS PROVIDED FOR IDENTIFICATION OF EXISTING LISTINGS. NOT ALL COMBINATIONS ARE POSSIBLE

CATALOG LISTING
CLS SERIES CHART 1
 PAGE 1 OF 3
 RELEASE NO. PR-21597
 REPLACES
 ISSUE 9

REVISIONS	
A	CO-93942 GLH 7 DEC 88
B	CO-94714 GLH 7 APR 89
C	CO-95788 MAM 25 OCT 89
D	CO-95967 DCS 3 MAY 00
E	201010 TSM 10/14/00
F	201144 GLH 28 SEP 00
G	202321 DCS 27 FEB 01

DRAWN LJK
 CHECK LJK
 5 APR 96
 7 DEC 98
 LJK
 CHECK LJK
 7 DEC 98
 PTC/CAD

THIRD ANGLE PROJECTION	
SCALE	NONE
DO NOT SCALE PRINT	
UNLESS OTHERWISE SPECIFIED TOLERANCES ARE	
ONE PLACE	(.0) ±.030
TWO PLACE	(.00) ±.015
THREE PLACE	(.000) ±.005
ANGLES	±
WEIGHT	

CLS SERIES CHART 1
 PAGE 2 OF 3
 RELEASE NO. CO-93942
 REPLACES
 DRAWING NUMBER
 ISSUE 9
 CHECK
 REVISIONS
 A CO-95788
 MAN 22 OCT 99
 B CO-95967
 DCS 3 MAY 00
 C 201010
 YSM 10AUG00
 D 201144
 GLH 26SEP00
 E 202321
 DCS 27 FEB 01
 CHECK
 DRAWN
 MAM 22 OCT 99
 CHECK
 PTC/CAD 3D
 DRAWN
 MAM 22 OCT 99
 CHECK

4.674±.060

2.344±.006

2.77

3.52±.06

2X Ø.203 MTG HOLE

INDICATOR VERSION ONLY

2X 10-32 UNF-2B TAPPED FROM REAR ONLY, .500 MIN DEEP

2X "T-15" TORX DRIVE SECURITY SCREWS

CONNECTOR VERSION ONLY

1.156±.006

1.62

2.99±.03

MTG PADS

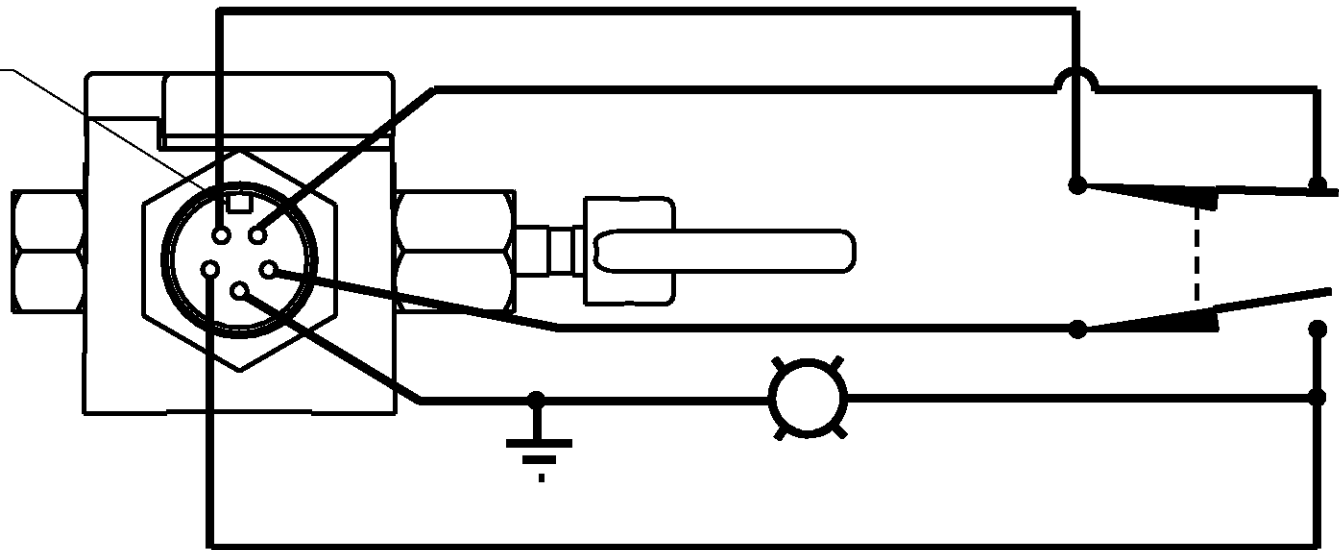
CONDUIT OPENING

.800

1.535±.020

1.773±.030

KEYWAY



MODIFICATION CODE G
WIRING DIAGRAM

WITH OPERATING

1.37±.02

.28±

5.553±.060

WITH OPERATING

WITH OPERATING HEAD CODES "A" & "N"

THIS DRAWING COVERS A PROPRIETARY ITEM AND IS THE PROPERTY OF MICRO SWITCH, A HONEYWELL. THIS DRAWING IS NOT TO BE COPIED OR USED WITHOUT THE APPROVAL OF MICRO SWITCH.

MICRO SWITCH
a Honeywell Division

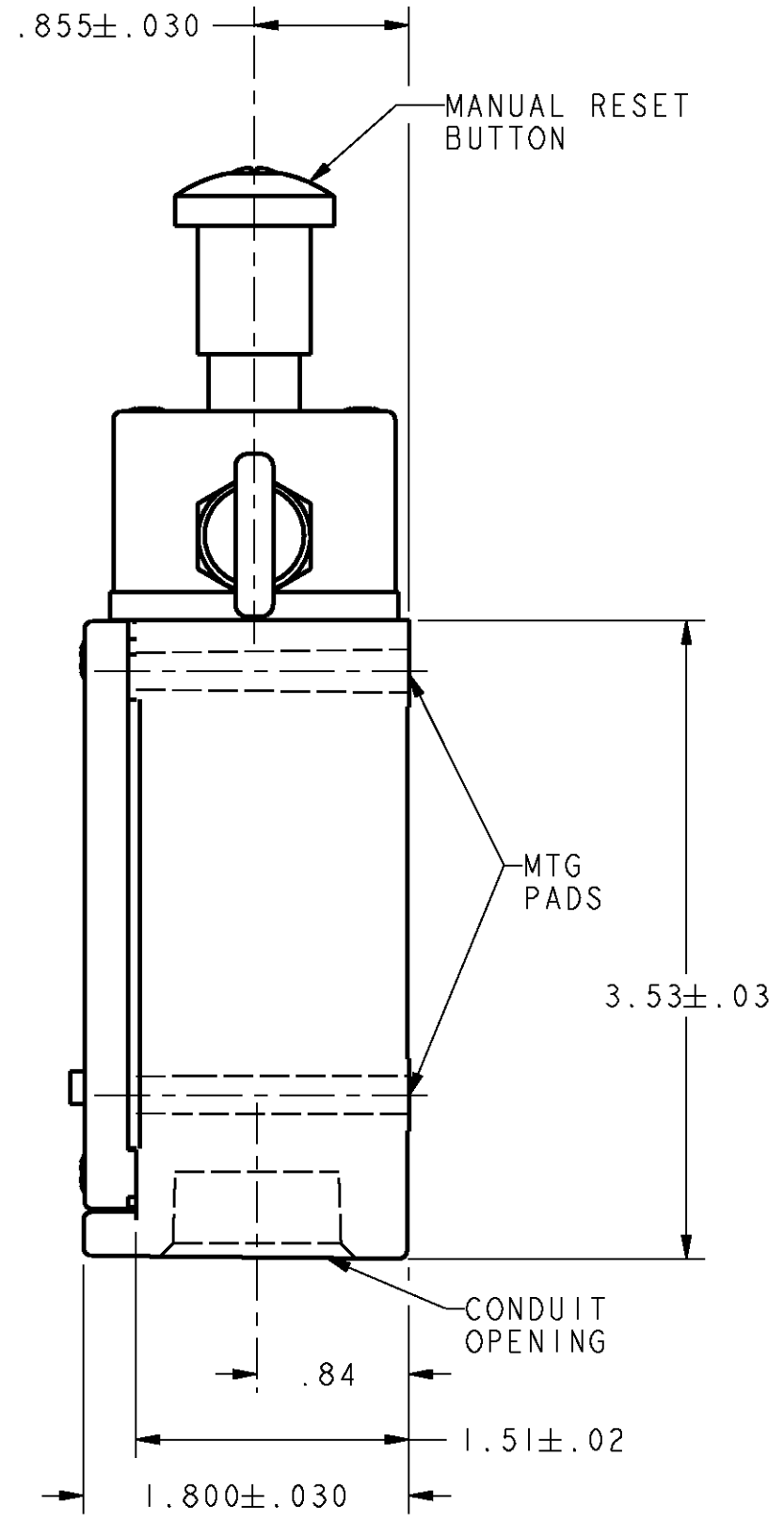
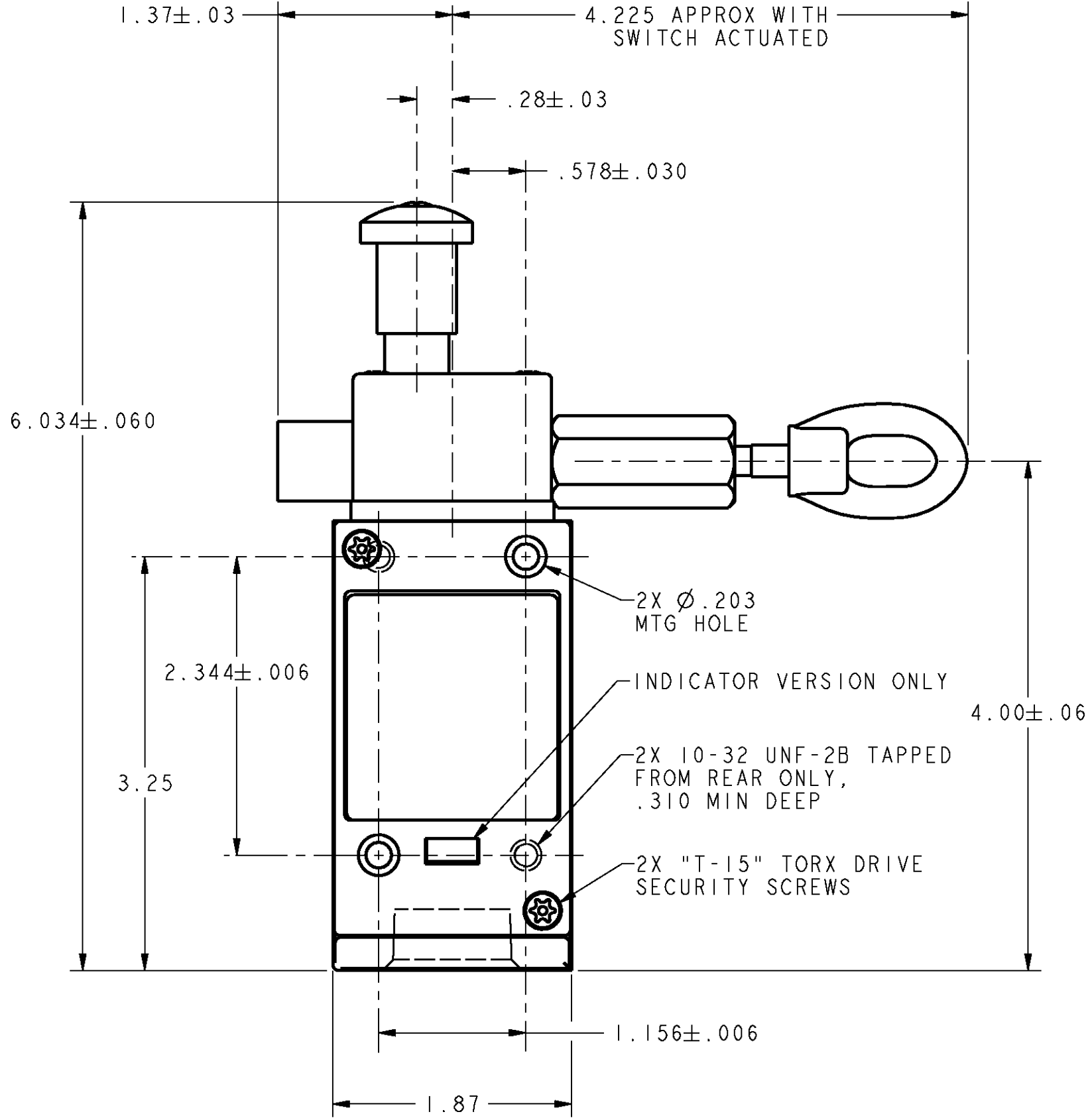
SWITCH - ENCLOSED

CLS SERIES

ANSI Y14.5M-1982 APPLIES

FED. MFG. CODE 91929

CLC SERIES CHART 1
 PAGE 3 OF 3
 RELEASE NO. CO-93942
 DRAWING NUMBER
 ISSUE 9
 CHECK
 REVISIONS
 A CO-95788
 MAN 22 OCT 99
 B CO-95967
 DCS 4 MAY 00
 C 201010
 TSM 10AUG00
 D 201144
 GLH 26SEP00
 E 202321
 DCS 27 FEB 01
 CHECK
 22 OCT 99
 CHECK
 22 OCT 99
 CHECK
 22 OCT 99
 DRAWN
 PTC/CAD 3D
 MAM 22OCT99



5.155±.060

WITH OPER

WITH OPERATING HEAD CODE "T"

THIS DRAWING COVERS A PROPRIETARY ITEM AND IS THE PROPERTY OF MICRO SWITCH, A HONEYWELL. THIS DRAWING IS NOT TO BE COPIED OR USED WITHOUT THE APPROVAL OF MICRO SWITCH.

MICRO SWITCH
 a Honeywell Division
 FED. MFG. CODE 91929

SWITCH - ENCLOSED

CLC SER

ANSI Y14.5M-1982 APPLIES

CABLE PULL NOMENCLATURE



BODY CODE	
A	PG13.5
B	1/2 NPT
C	20MM
D	PF 1/2
E	3/4 NPT

BASIC SWITCH CODE	
1	1NC DIRECT ACTING
2	1NO - 1NC SNAP ACTION (HDLS) MOMENTARY HEADS ONLY
3	1NO - 1NC SNAP ACTION (GLS) MOMENTARY HEADS ONLY
4	1NO - 1NC DIRECT ACTING
5	1NO - 1NC DIRECT ACTING 240V NEON INDICATOR
6	1NO - 1NC DIRECT ACTING 120V NEON INDICATOR
7	1NO - 1NC DIRECT ACTING 24V LED INDICATOR
8	2NC DIRECT ACTING
9	SPECIAL BASIC SEE LETTERED MOD CODES

OPERATING HEAD CODE	
A	"MAINTAINED"
B	"MOMENTARY"
N	"MAINTAINED" W/O BROKEN CABLE DETECTION
T	"MAINTAINED" SNAP ACTION

MODIFICATION CODES *	
B	1NO-3NC SLOW ACTING
E	2NO-2NC SLOW ACTING
G	5-PIN CONNECTOR BRAD HARRISON P/N 41310 OR EQUIV.
N	240V NEON INDICATOR W/SPEC. BASIC
M	120V NEON INDICATOR W/SPEC. BASIC
P	24V LED INDICATOR W/SPEC. BASIC
1	HEAD ORIENTED LEFT
2	HEAD ORIENTED FRONT
3	HEAD ORIENTED REAR

*WHEN MORE THAN ONE MODIFICATION CODE IS SPECIFIED THEY SHALL BE LISTED IN ASCENDING ALPHA-NUMERIC ORDER

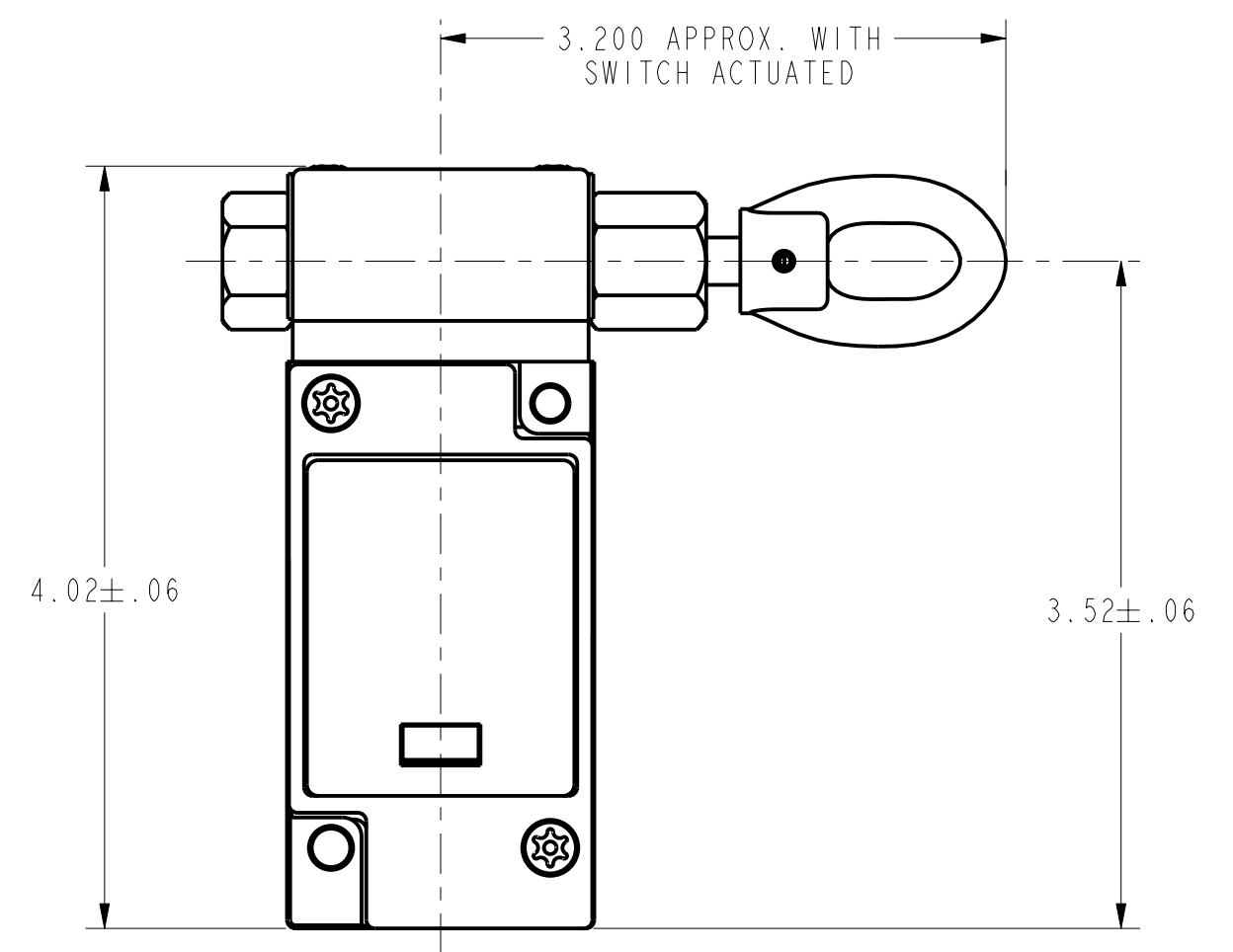
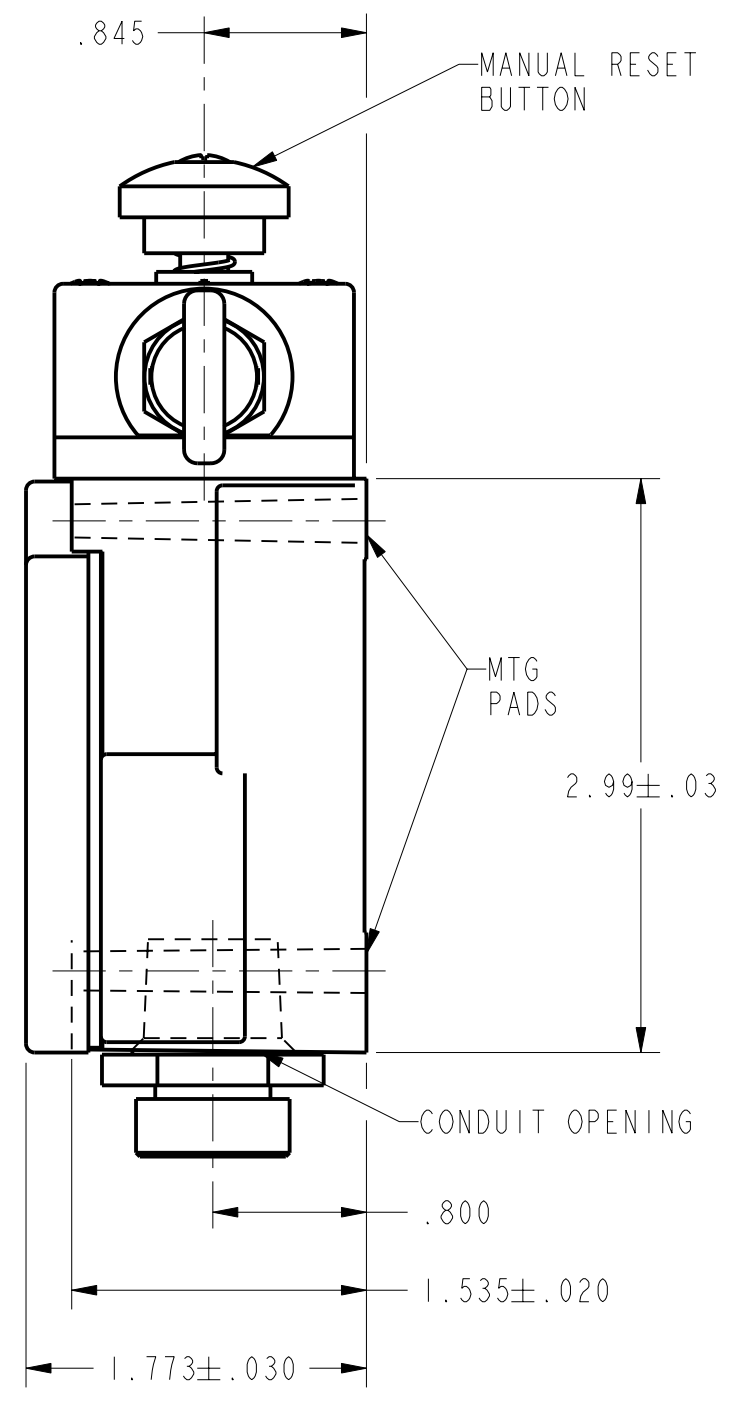
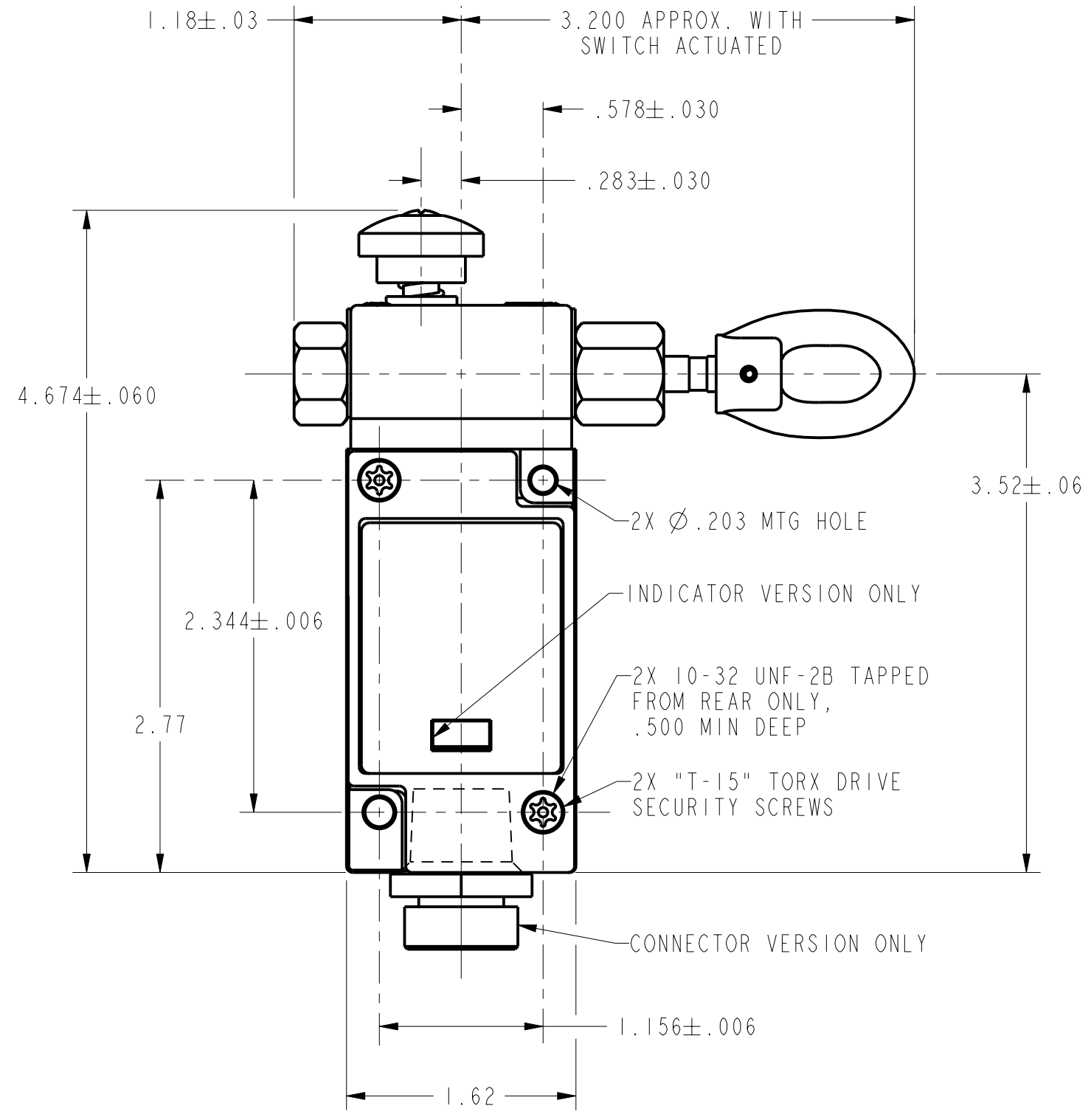
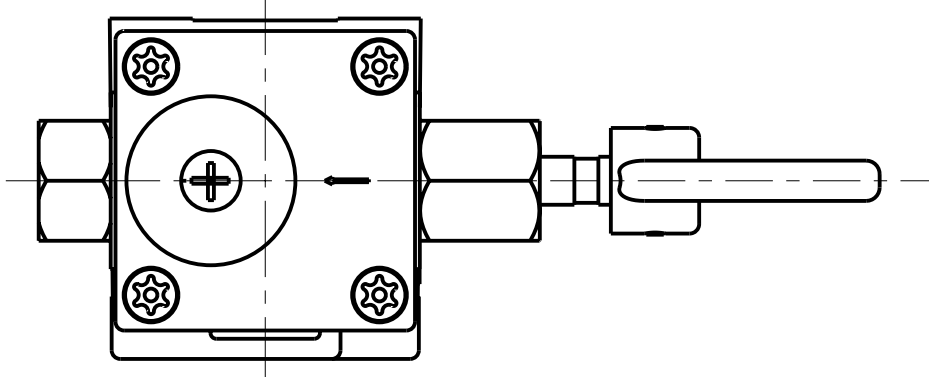
NOTE:

- 1 - COVER AND OPERATING HEAD ATTACHED WITH "T-15" TAMPER PROOF TORX DRIVE SCREWS
- 2 - HARDWARE PACKET CONSISTING OF TURNBUCKLE, NUTS, END SPRING, AND "T-15" TAMPER PROOF TORX DRIVER BIT INCLUDED WITH PRODUCT
- 3 - OPERATING HEAD MAY BE POSITIONED IN ANY OF FOUR DIRECTIONS
- 4 - NOMENCLATURE IS PROVIDED FOR IDENTIFICATION OF EXISTING LISTINGS. NOT ALL COMBINATIONS ARE POSSIBLE

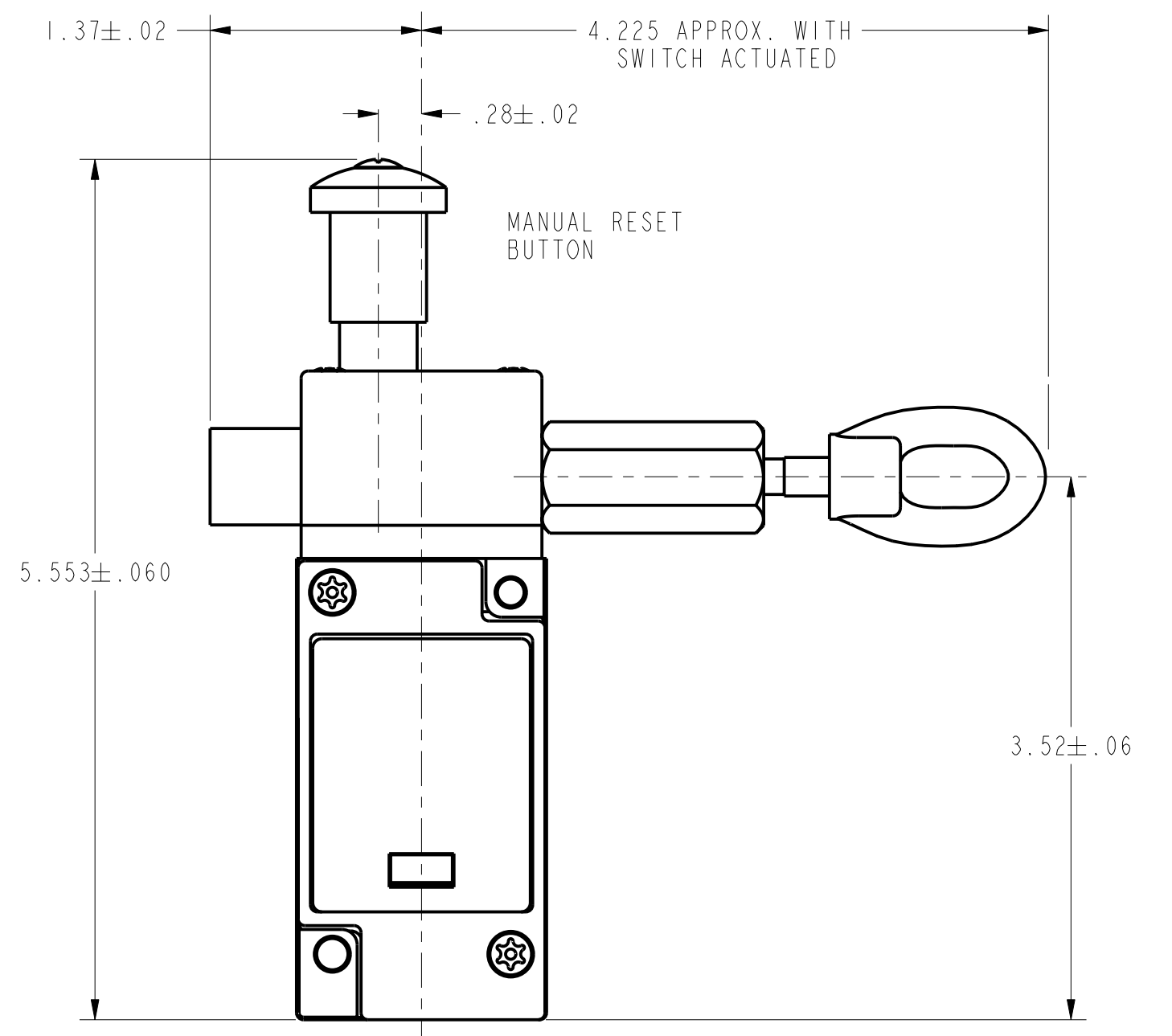
CATALOG LISTING
CLS SERIES CHART 1
 PAGE 1 OF 3
 RELEASE NO. PR-21597
 REPLACES
 ISSUE 14
 CHECK
 REVISIONS
 A 206479 TSM 19SEP02
 B 207283 GLH 27JAN03
 CHECK
 LJK 7 DEC 98
 CHECK
 LJK 5 APR 96
 DRAWN
 LJK
 PTC/CAD

THIRD ANGLE PROJECTION	
SCALE	NONE
DO NOT SCALE PRINT	
UNLESS OTHERWISE SPECIFIED TOLERANCES ARE	
ONE PLACE	(.0) ±.030
TWO PLACE	(.00) ±.015
THREE PLACE	(.000) ±.005
ANGLES	±
WEIGHT	

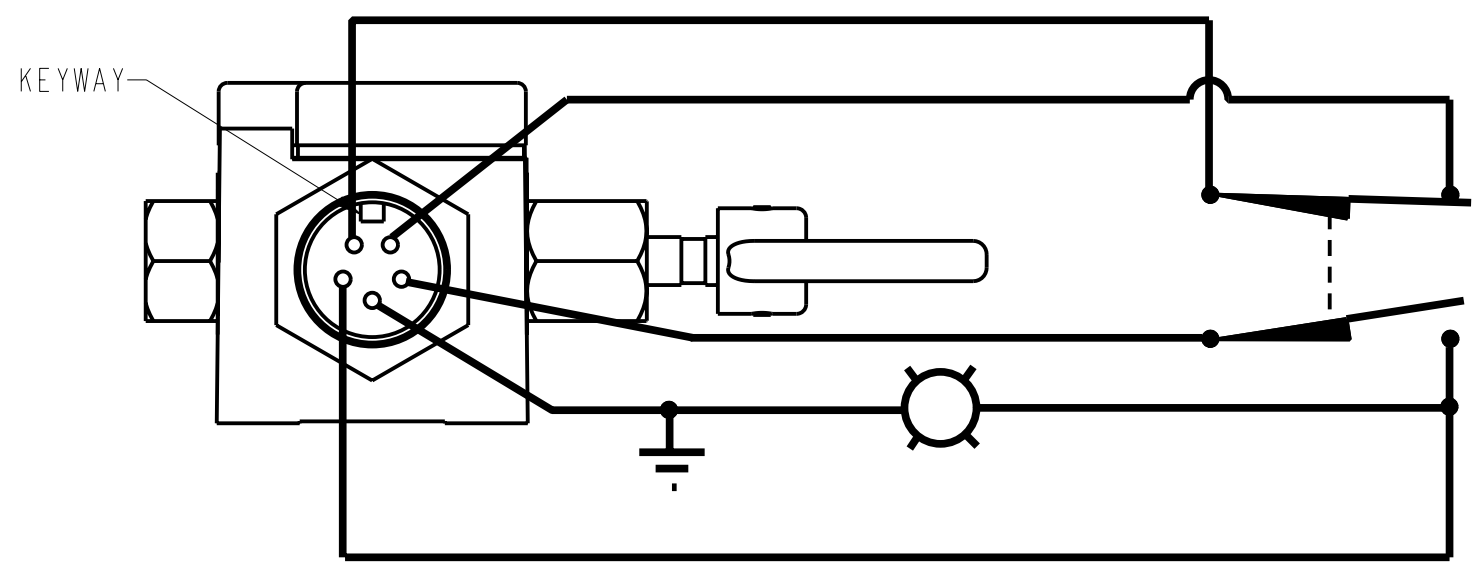
BASIC SWITCH CODES 1 - 8



WITH OPERATING HEAD CODE "B"



WITH OPERATING HEAD CODE "T"



MODIFICATION CODE G
WIRING DIAGRAM

WITH OPERATING HEAD CODES "A" & "N"

THIRD ANGLE PROJECTION		
SCALE FULL		
DO NOT SCALE PRINT		
UNLESS OTHERWISE SPECIFIED TOLERANCES ARE		
ONE PLACE	(.0)	±.030
TWO PLACES	(.00)	±.015
THREE PLACES	(.000)	±.005
ANGLES		±
WEIGHT		

THIS DRAWING COVERS A PROPRIETARY ITEM AND IS THE PROPERTY OF MICRO SWITCH, A DIVISION OF HONEYWELL. THIS DRAWING IS NOT TO BE COPIED OR USED WITHOUT THE APPROVAL OF MICRO SWITCH.

MICRO SWITCH
a Honeywell Division

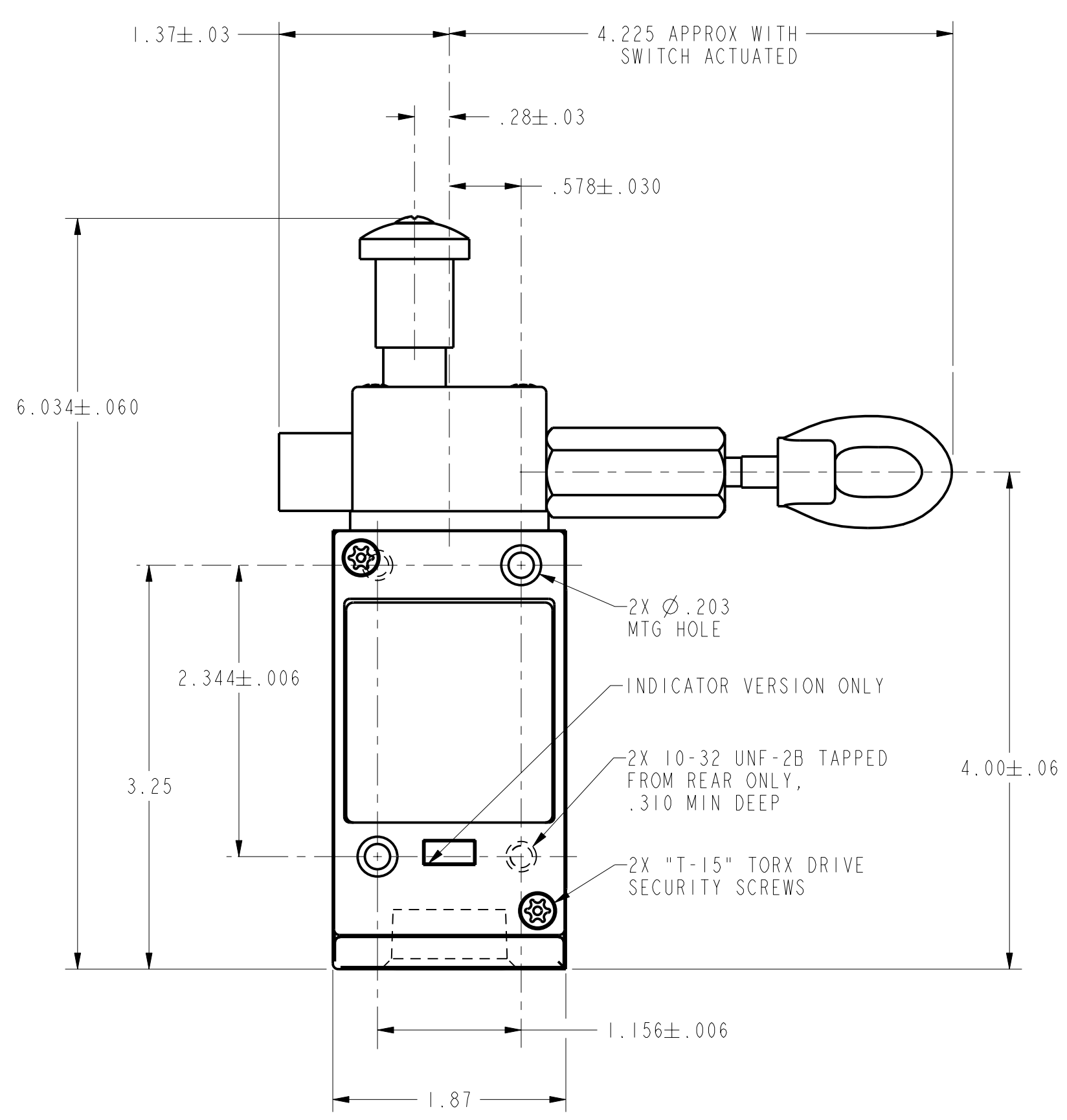
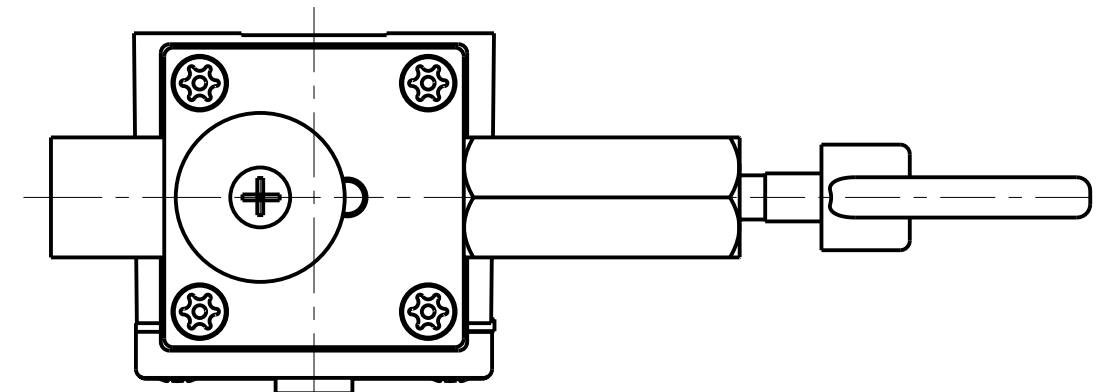
SWITCH - ENCLOSED

CATALOG LISTING
CLS SERIES CHART 1

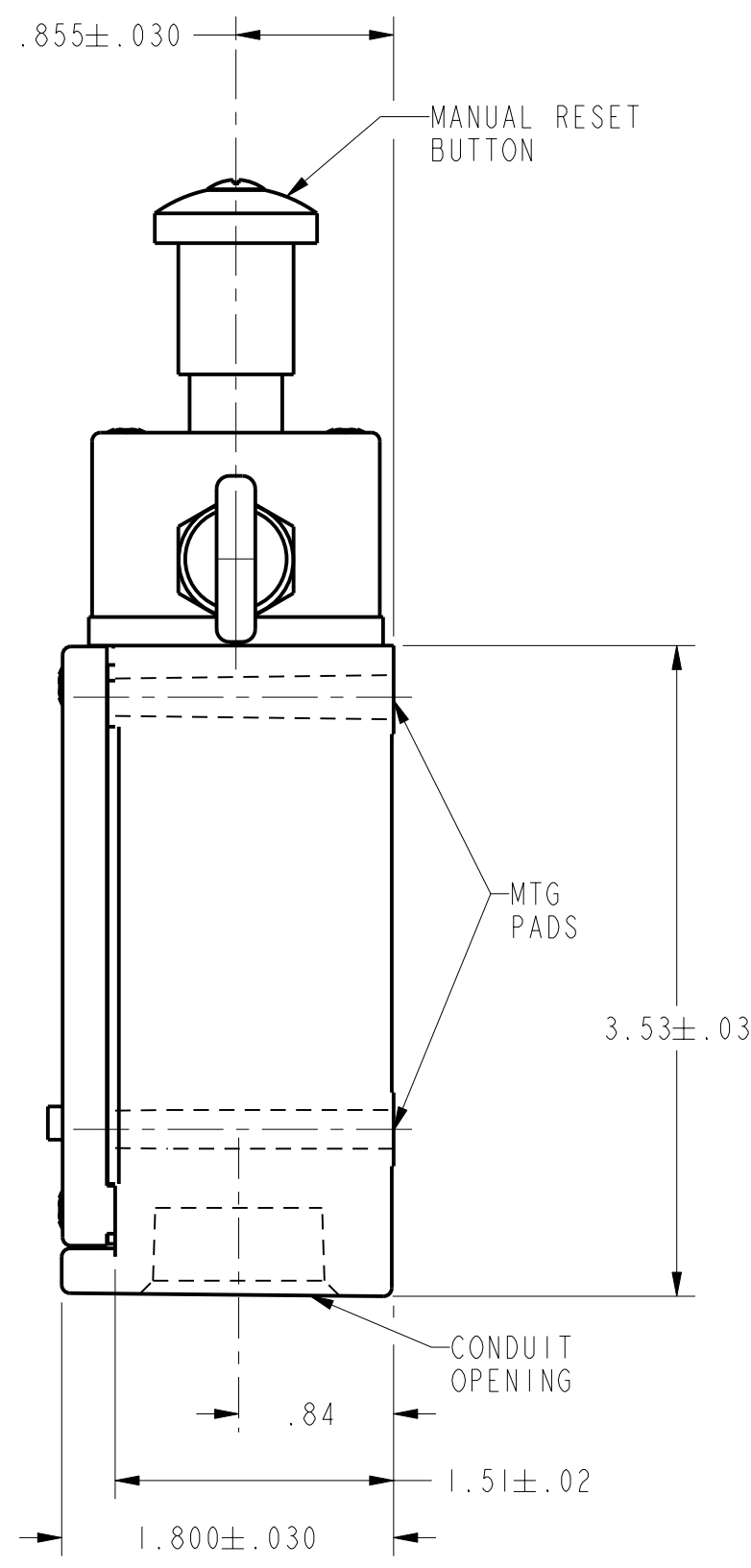
FED. MFG. CODE 91929

CLS SERIES CHART 1
PAGE 2 OF 3
RELEASE NO. CO-93942
DRAWING NUMBER
ISSUE 14
REVISIONS
A CO-95788
MAR 22 OCT 99
B CO-95967
DCS 3 MAY 00
C 201010
TSM 10AUG00
D 201144
GLH 26SEP00
E 202321
DCS 27 FEB 01
F 205423
GRI 22 APR 02
G 205798
TSM 17 JUN 02
H 205952
GLH 12 JUL 02
J 206479
TSM 19 SEP 02
K 207283
GLH 27 JAN 03
DRAWN MAM
CHECKED 22 OCT 99
P.T.C./CAD 3D

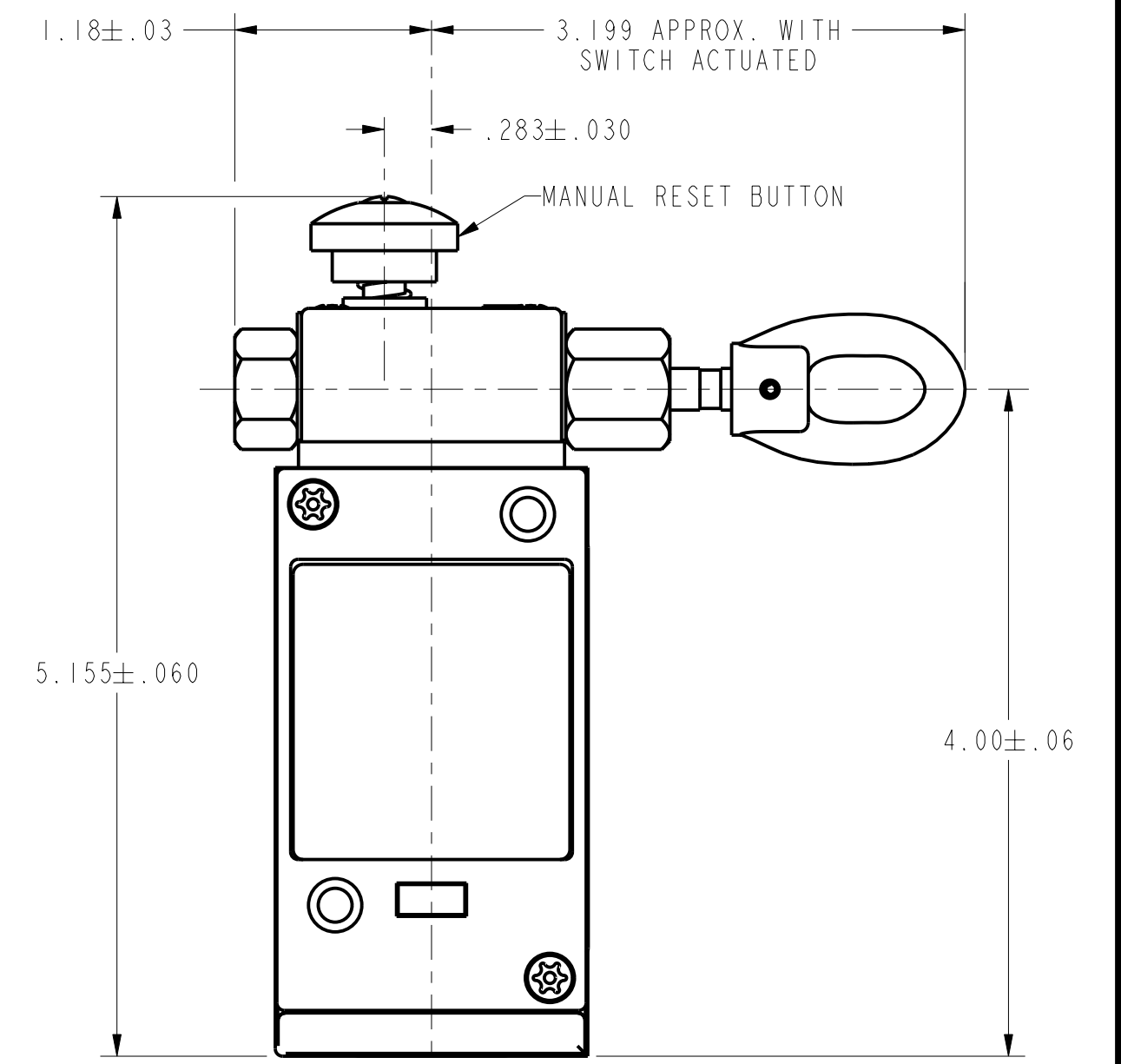
BASIC SWITCH CODE 9



WITH OPERATING HEAD CODE "T"



WITH OPERATING HEAD CODE "T"



WITH OPERATING HEAD CODE "A"

CLP SERIES CHART 1	ISSUE 14	DRAWING NUMBER	RELEASE NO. CO-93942	PAGE 3 OF 3	REPLACES
REVISIONS	A	CO-95788	MAR 22 OCT 99	22 OCT 99	CHECK
	B	CO-95967	4 MAY 00	22 OCT 99	CHECK
	C	201010	10 AUG 00	22 OCT 99	CHECK
	D	201144	26 SEP 00	22 OCT 99	CHECK
	E	202321	27 FEB 01	22 OCT 99	CHECK
	F	205423	22 APR 02	22 OCT 99	CHECK
	G	205798	17 JUN 02	22 OCT 99	CHECK
	H	205952	12 JUL 02	22 OCT 99	CHECK
	J	206479	19 SEP 02	22 OCT 99	CHECK
	K	207283	27 JAN 03	22 OCT 99	CHECK
P.T.C./CAD	MAM	22OCT99			

<p>MICRO SWITCH a Honeywell Division</p>	<p>SWITCH - ENCLOSED</p>	<p>CLS SERIES CHART 1</p>

THIRD ANGLE PROJECTION			
SCALE FULL			
DO NOT SCALE PRINT			
UNLESS OTHERWISE SPECIFIED TOLERANCES ARE			
ONE PLACE	(.0)	±.030	
TWO PLACES	(.00)	±.015	
THREE PLACES	(.000)	±.005	
ANGLES		±	
WEIGHT			



Компания «ЭлектроПласт» предлагает заключение долгосрочных отношений при поставках импортных электронных компонентов на взаимовыгодных условиях!

Наши преимущества:

- Оперативные поставки широкого спектра электронных компонентов отечественного и импортного производства напрямую от производителей и с крупнейших мировых складов;
- Поставка более 17-ти миллионов наименований электронных компонентов;
- Поставка сложных, дефицитных, либо снятых с производства позиций;
- Оперативные сроки поставки под заказ (от 5 рабочих дней);
- Экспресс доставка в любую точку России;
- Техническая поддержка проекта, помощь в подборе аналогов, поставка прототипов;
- Система менеджмента качества сертифицирована по Международному стандарту ISO 9001;
- Лицензия ФСБ на осуществление работ с использованием сведений, составляющих государственную тайну;
- Поставка специализированных компонентов (Xilinx, Altera, Analog Devices, Intersil, Interpoint, Microsemi, Aeroflex, Peregrine, Syfer, Eurofarad, Texas Instrument, Miteq, Cobham, E2V, MA-COM, Hittite, Mini-Circuits, General Dynamics и др.);

Помимо этого, одним из направлений компании «ЭлектроПласт» является направление «Источники питания». Мы предлагаем Вам помощь Конструкторского отдела:

- Подбор оптимального решения, техническое обоснование при выборе компонента;
- Подбор аналогов;
- Консультации по применению компонента;
- Поставка образцов и прототипов;
- Техническая поддержка проекта;
- Защита от снятия компонента с производства.



Как с нами связаться

Телефон: 8 (812) 309 58 32 (многоканальный)

Факс: 8 (812) 320-02-42

Электронная почта: org@eplast1.ru

Адрес: 198099, г. Санкт-Петербург, ул. Калинина, дом 2, корпус 4, литера А.