

**CABLE PULL NOMENCLATURE**

CLS

BODY CODE	
A	PG13.5
B	1/2 NPT
C	20MM
D	PF 1/2
E	3/4 NPT

BASIC SWITCH CODE	
1	1NC DIRECT ACTING
2	1NO - 1NC SNAP ACTION (HDL) MOMENTARY HEADS ONLY
3	1NO - 1NC SNAP ACTION (GLS) MOMENTARY HEADS ONLY
4	1NO - 1NC DIRECT ACTING
5	1NO - 1NC DIRECT ACTING 240V NEON INDICATOR
6	1NO - 1NC DIRECT ACTING 120V NEON INDICATOR
7	1NO - 1NC DIRECT ACTING 24V LED INDICATOR
8	2NC DIRECT ACTING
9	SPECIAL BASIC SEE LETTERED MOD CODES

OPERATING HEAD CODE	
A	"MAINTAINED"
B	"MOMENTARY"
N	"MOMENTARY" W/O BROKEN CABLE DETECTION
T	"MAINTAINED" SNAP ACTION

MODIFICATION CODES *	
B	1NO-3NC SLOW ACTING
E	2NO-2NC SLOW ACTING
G	5-PIN CONNECTOR BRAD HARRISON P/N 41310 OR EQUIV.
N	240V NEON INDICATOR W/SPEC. BASIC
M	120V NEON INDICATOR W/SPEC. BASIC
P	24V LED INDICATOR W/SPEC. BASIC
1	HEAD ORIENTED LEFT
2	HEAD ORIENTED FRONT
3	HEAD ORIENTED REAR

\*WHEN MORE THAN ONE MODIFICATION CODE IS SPECIFIED THEY SHALL BE LISTED IN ASCENDING ALPHA-NUMERIC ORDER

**NOTE:**

- 1 - COVER AND OPERATING HEAD ATTACHED WITH "T-15" TAMPER PROOF TORX DRIVE SCREWS
- 2 - HARDWARE PACKET CONSISTING OF TURNBUCKLE, NUTS, END SPRING, AND "T-15" TAMPER PROOF TORX DRIVER BIT INCLUDED WITH PRODUCT
- 3 - OPERATING HEAD MAY BE POSITIONED IN ANY OF FOUR DIRECTIONS
- 4 - NOMENCLATURE IS PROVIDED FOR IDENTIFICATION OF EXISTING LISTINGS. NOT ALL COMBINATIONS ARE POSSIBLE

THIRD ANGLE PROJECTION	
SCALE	NONE
DO NOT SCALE PRINT	
UNLESS OTHERWISE SPECIFIED TOLERANCES ARE	
ONE PLACE	(.0) ±.030
TWO PLACE	(.00) ±.015
THREE PLACE	(.000) ±.005
ANGLES	±
WEIGHT	

CATALOG LISTING

**CLS SERIES CHART 1**

PAGE 1 OF 3

RELEASE NO. PR-21597

REPLACES

ISSUE 9

CHECK

REVISIONS

A	CO-93942	GLH	7 DEC 88
B	CO-94714	GLH	7 APR 89
C	CO-95788	MAM	25 OCT 89
D	CO-95967	DCS	3 MAY 00
E	201010	TSM	10/14/00
F	201144	GLH	28 SEP 00
G	202321	DCS	27 FEB 01

PTC/CAD

DRAWN LJK 5 APR 96

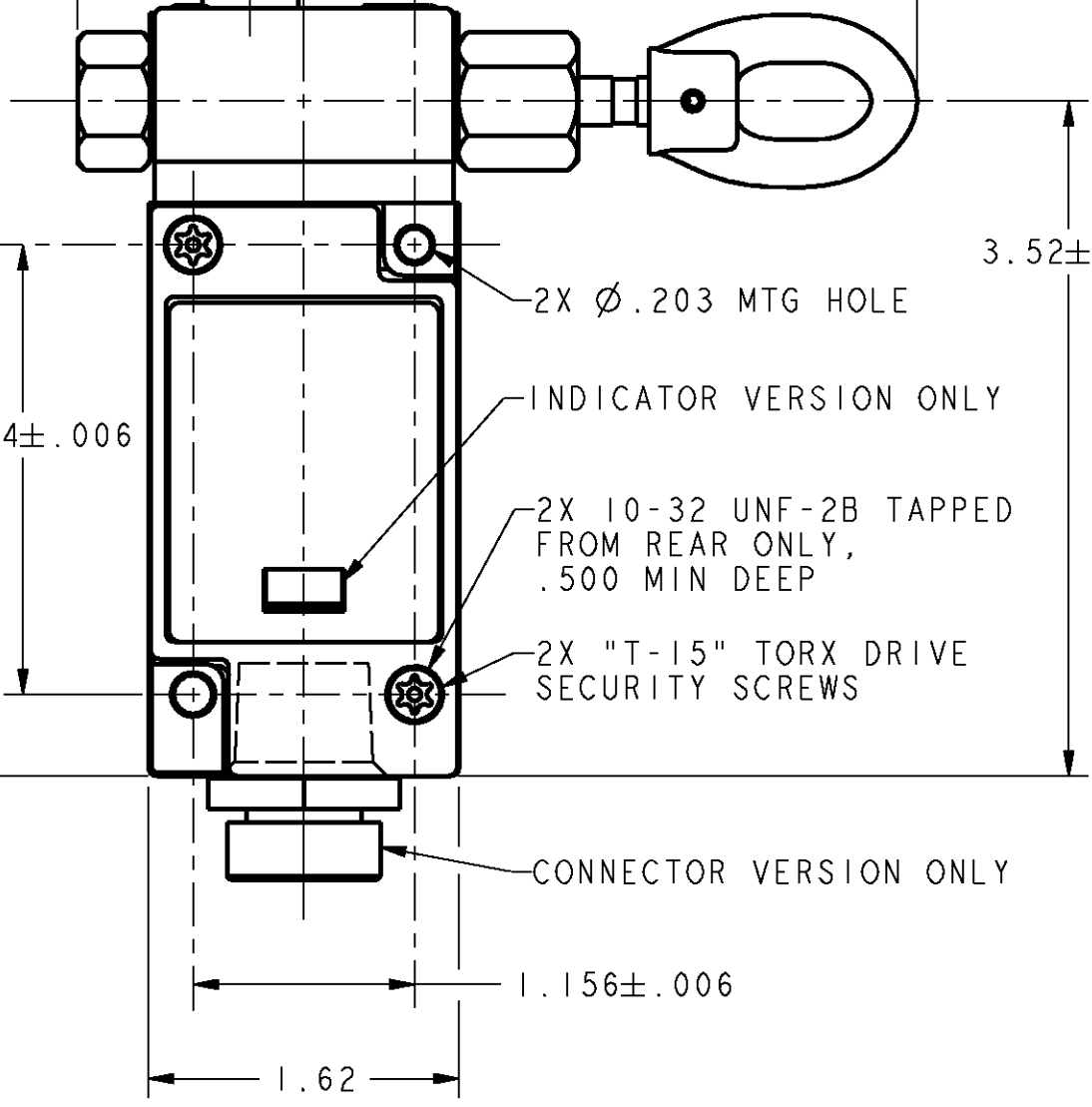
CHECK LJK 7 DEC 98

CHECK

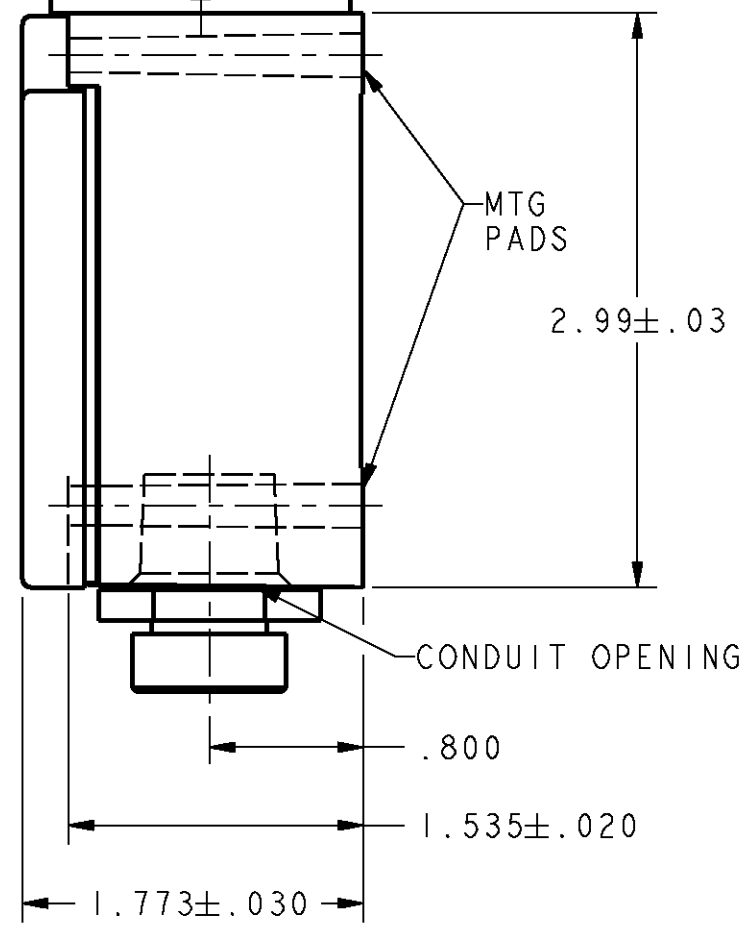
CLC SERIES CHART 1  
 PAGE 2 OF 3  
 RELEASE NO. CO-93942  
 DRAWING NUMBER  
 ISSUE 9  
 REVISIONS  
 A CO-95788  
 MAN 22 OCT 99  
 B CO-95967  
 DCS 3 MAY 00  
 C 201010  
 YSM 10AUG00  
 D 201144  
 GLH 26SEP00  
 E 202321  
 DCS 27 FEB 01  
 PTC/CAD 3D  
 DRAWN  
 MAM 22 OCT 99  
 CHECK

4.674 ± .060

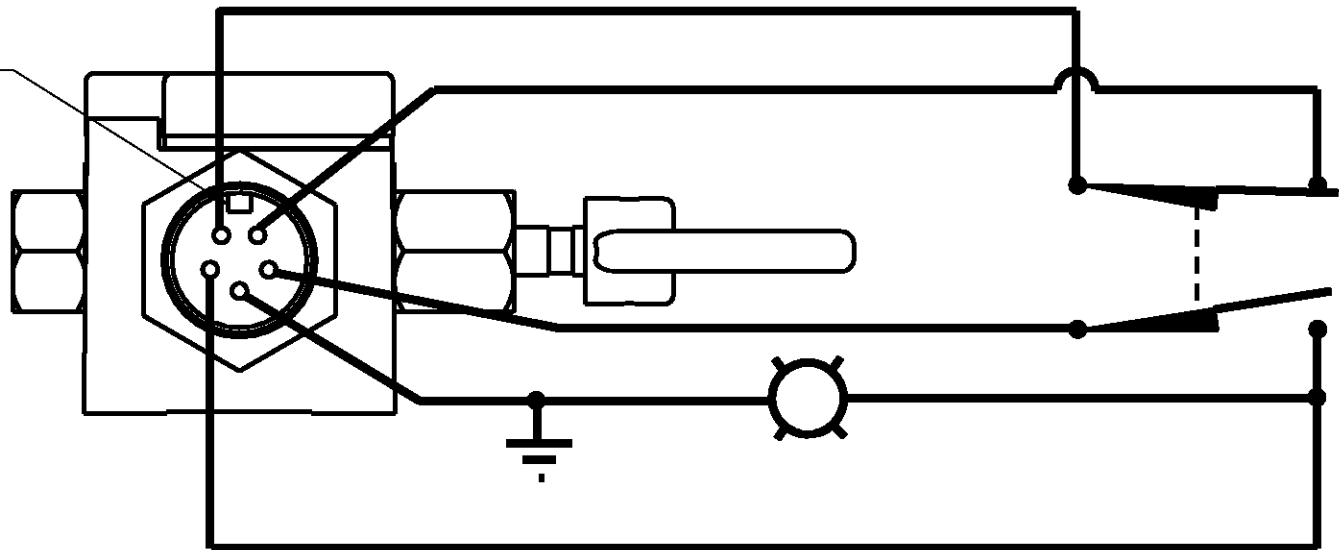
2.344 ± .006  
 2.77



3.52 ± .06



KEYWAY

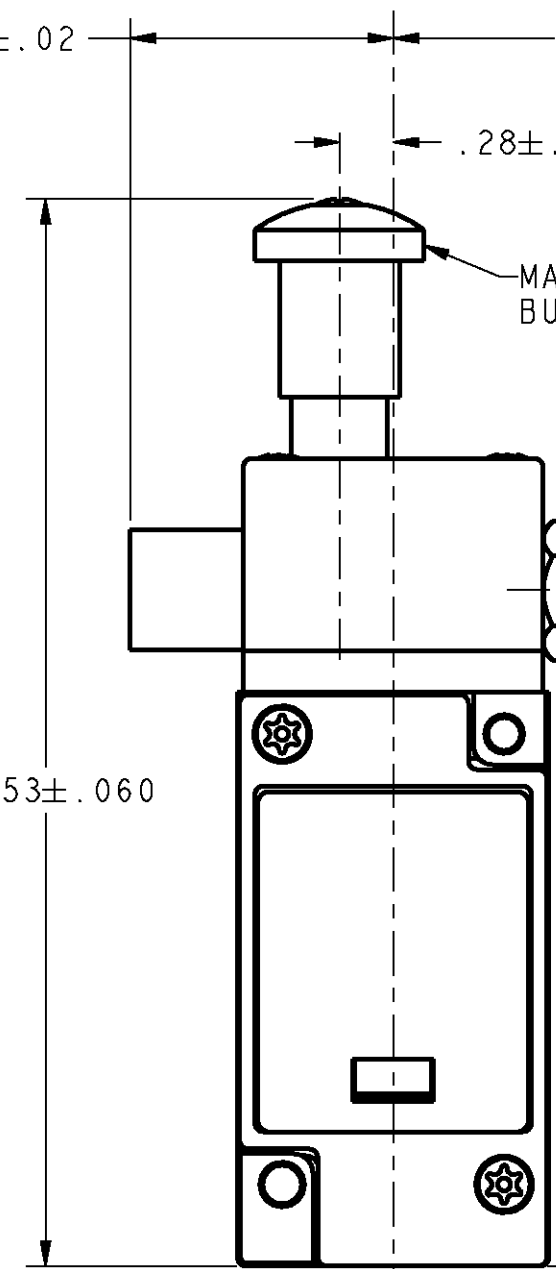


MODIFICATION CODE G  
 WIRING DIAGRAM

WITH OPERATING HEAD CODES "A" & "N"

WITH OPERATING

1.37 ± .02



WITH OPERATING

THIS DRAWING COVERS A PROPRIETARY ITEM AND IS THE PROPERTY OF MICRO SWITCH, A HONEYWELL. THIS DRAWING IS NOT TO BE COPIED OR USED WITHOUT THE APPROVAL OF MICRO SWITCH.

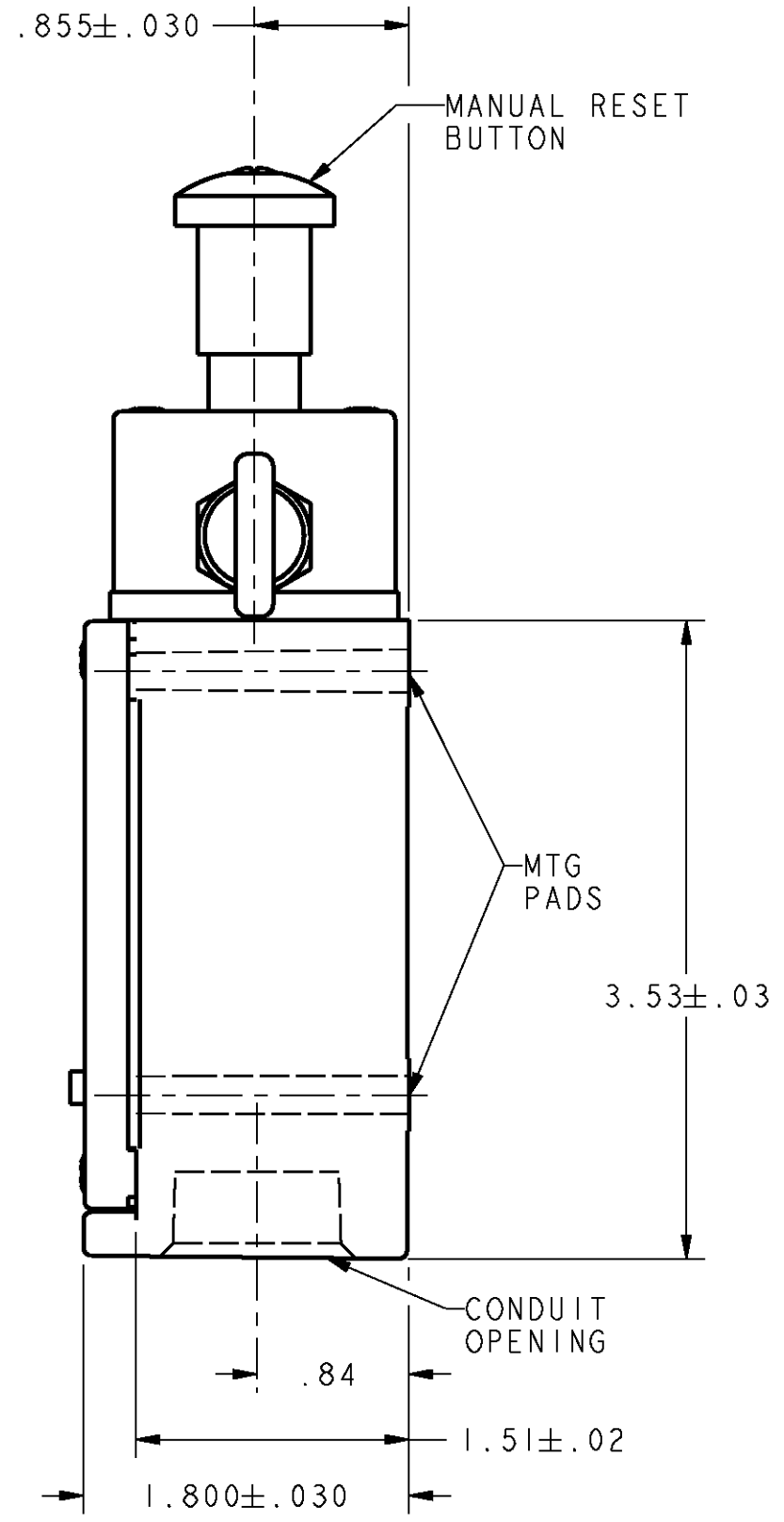
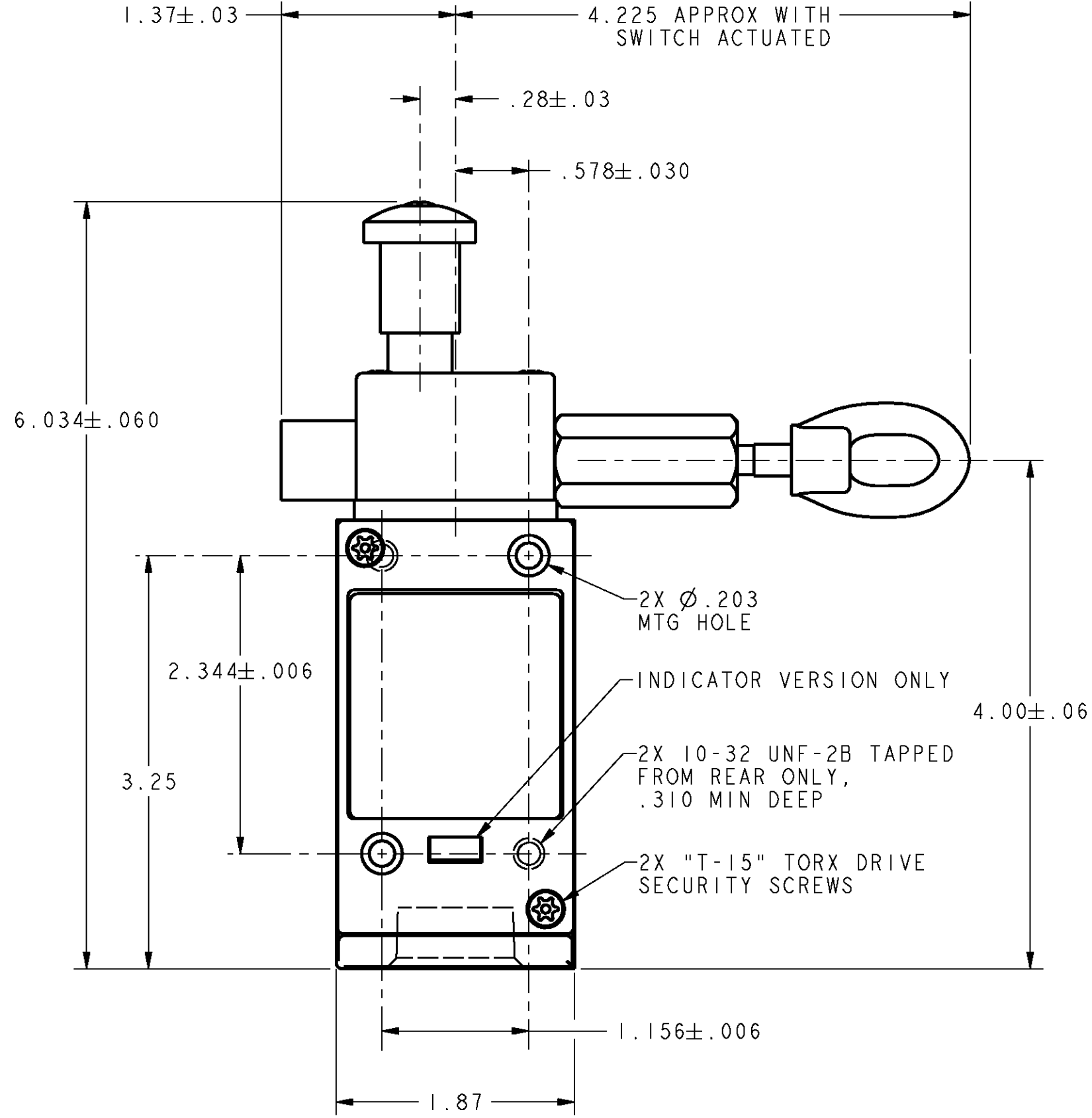
**MICRO SWITCH**  
 a Honeywell Division  
 FED. MFG. CODE 91929

**SWITCH - ENCLOSED**

**CLC SERIES**

ANSI Y14.5M-1982 APPLIES

**CLS SERIES CHART 1**  
 DRAWING NUMBER  
 ISSUE 9  
 REVISIONS  
 A CO-95788 MAN 22 OCT 99  
 B CO-95967 DCS 4 MAY 00  
 C 201010 TSM 10AUG00  
 D 201144 GLH 26SEP00  
 E 202321 DCS 27 FEB 01  
 PTC/CAD 3D DRAWN  
 MAM 22OCT99 CHECK  
 RELEASE NO. CO-93942  
 PAGE 3 OF 3  
 REPLACES



5.155±.060

WITH OPER

WITH OPERATING HEAD CODE "T"

THIS DRAWING COVERS A PROPRIETARY ITEM AND IS THE PROPERTY OF MICRO SWITCH, A HONEYWELL. THIS DRAWING IS NOT TO BE COPIED OR USED WITHOUT THE APPROVAL OF MICRO SWITCH.

**MICRO SWITCH**  
 a Honeywell Division  
 FED. MFG. CODE 91929

**SWITCH - ENCLOSED**

CLS SER

ANSI Y14.5M-1982 APPLIES

**CABLE PULL NOMENCLATURE**



BODY CODE	
A	PG13.5
B	1/2 NPT
C	20MM
D	PF 1/2
E	3/4 NPT

BASIC SWITCH CODE	
1	1NC DIRECT ACTING
2	1NO - 1NC SNAP ACTION (HDLS) MOMENTARY HEADS ONLY
3	1NO - 1NC SNAP ACTION (GLS) MOMENTARY HEADS ONLY
4	1NO - 1NC DIRECT ACTING
5	1NO - 1NC DIRECT ACTING 240V NEON INDICATOR
6	1NO - 1NC DIRECT ACTING 120V NEON INDICATOR
7	1NO - 1NC DIRECT ACTING 24V LED INDICATOR
8	2NC DIRECT ACTING
9	SPECIAL BASIC SEE LETTERED MOD CODES

OPERATING HEAD CODE	
A	"MAINTAINED"
B	"MOMENTARY"
N	"MAINTAINED" W/O BROKEN CABLE DETECTION
T	"MAINTAINED" SNAP ACTION

MODIFICATION CODES *	
B	1NO-3NC SLOW ACTING
E	2NO-2NC SLOW ACTING
G	5-PIN CONNECTOR BRAD HARRISON P/N 41310 OR EQUIV.
N	240V NEON INDICATOR W/SPEC. BASIC
M	120V NEON INDICATOR W/SPEC. BASIC
P	24V LED INDICATOR W/SPEC. BASIC
1	HEAD ORIENTED LEFT
2	HEAD ORIENTED FRONT
3	HEAD ORIENTED REAR

\*WHEN MORE THAN ONE MODIFICATION CODE IS SPECIFIED THEY SHALL BE LISTED IN ASCENDING ALPHA-NUMERIC ORDER

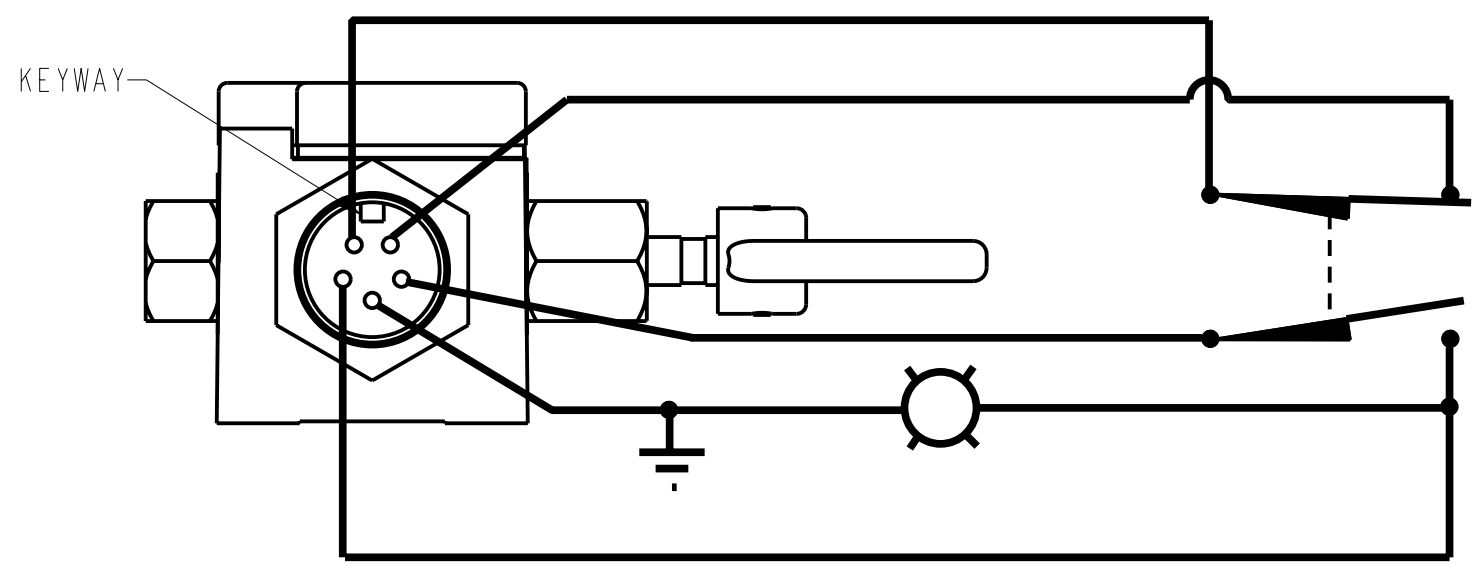
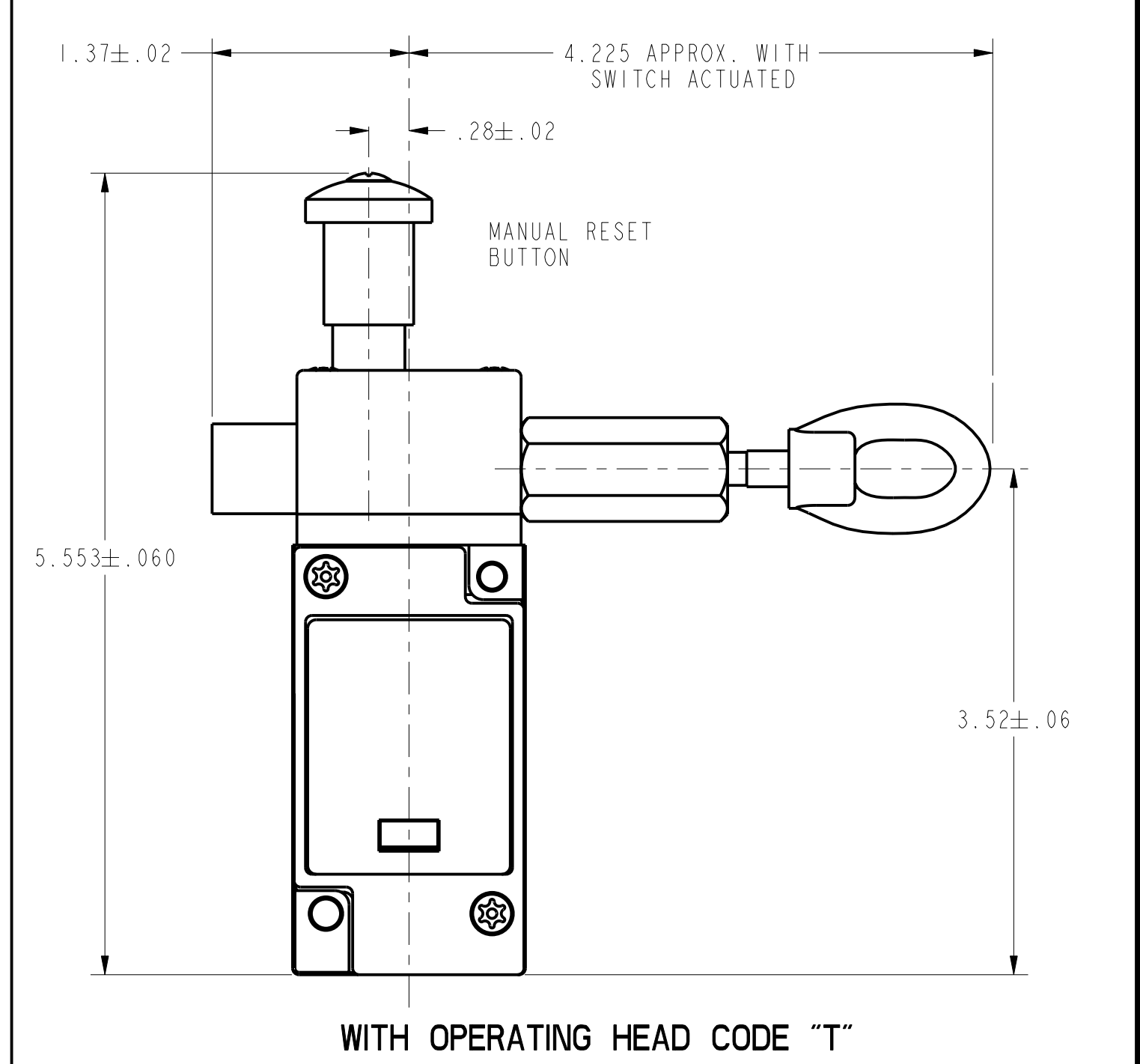
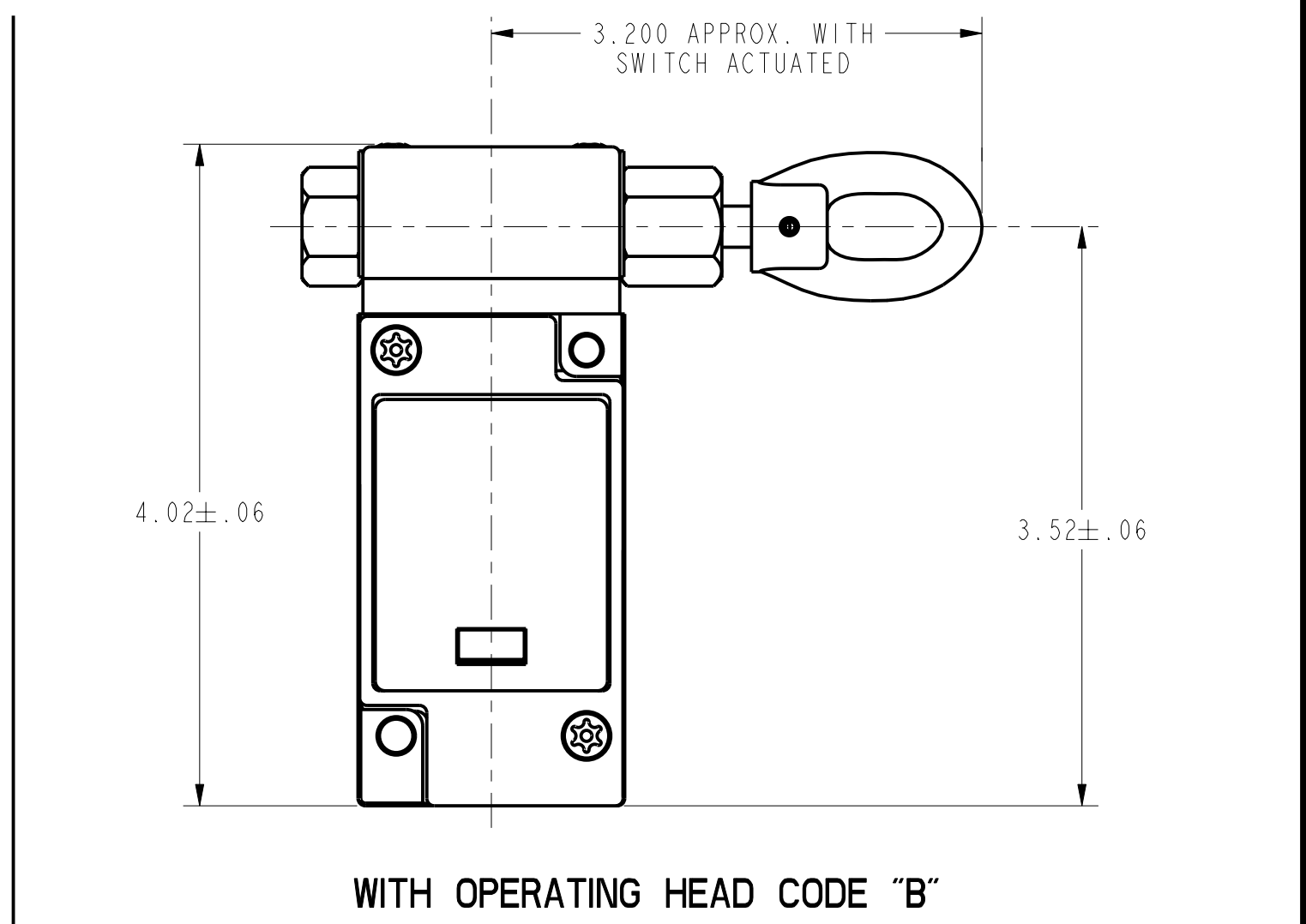
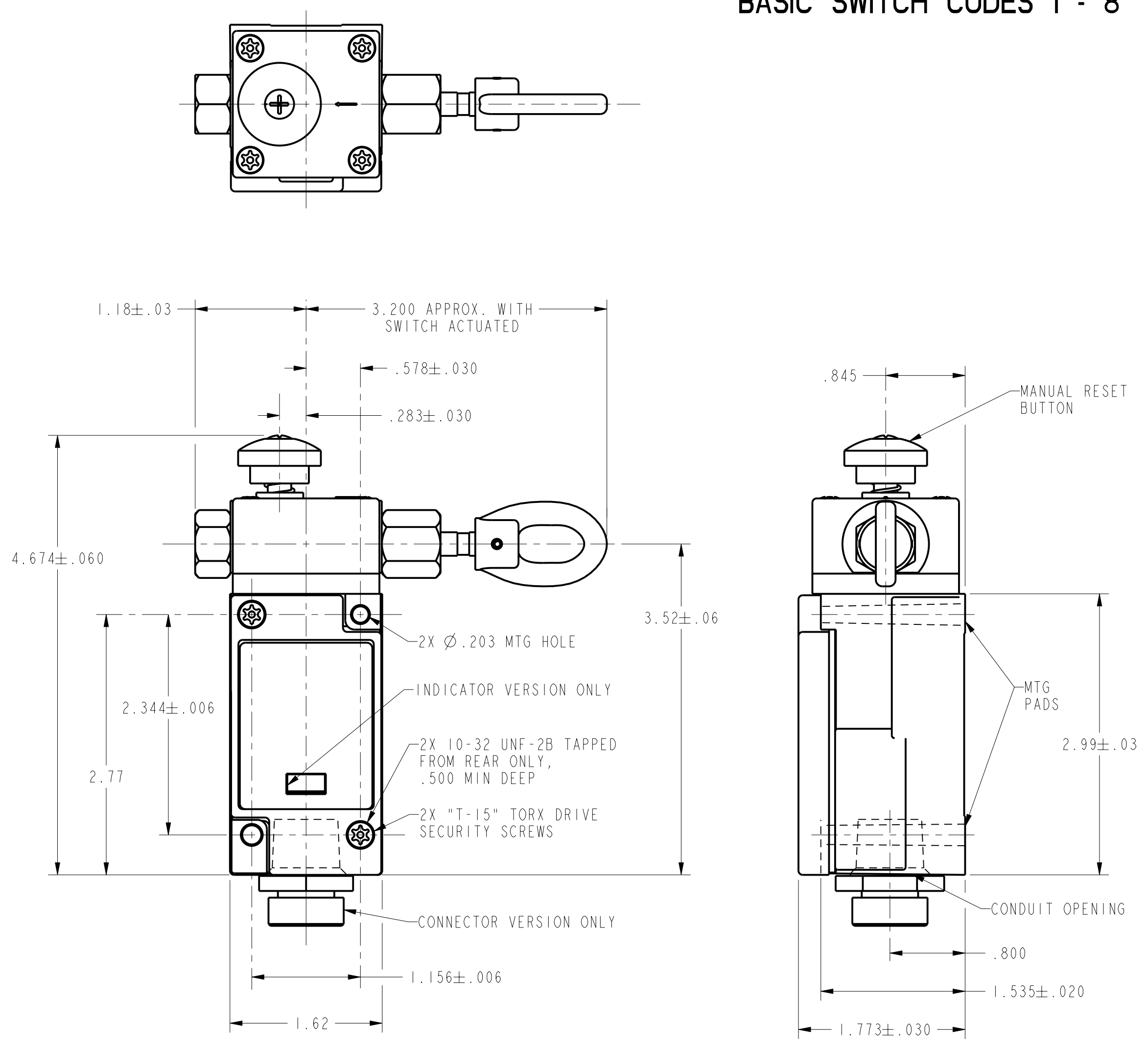
**NOTE:**

- 1 - COVER AND OPERATING HEAD ATTACHED WITH "T-15" TAMPER PROOF TORX DRIVE SCREWS
- 2 - HARDWARE PACKET CONSISTING OF TURNBUCKLE, NUTS, END SPRING, AND "T-15" TAMPER PROOF TORX DRIVER BIT INCLUDED WITH PRODUCT
- 3 - OPERATING HEAD MAY BE POSITIONED IN ANY OF FOUR DIRECTIONS
- 4 - NOMENCLATURE IS PROVIDED FOR IDENTIFICATION OF EXISTING LISTINGS. NOT ALL COMBINATIONS ARE POSSIBLE

CATALOG LISTING  
**CLS SERIES CHART 1**  
 PAGE 1 OF 3  
 RELEASE NO. PR-21597  
 REPLACES  
 ISSUE 14  
 CHECK  
 REVISIONS  
 A 206479 TSM 19SEP02  
 B 207283 GLH 27JAN03  
 CHECK  
 LJK 7 DEC 98  
 CHECK  
 LJK 5 APR 96  
 DRAWN  
 LJK  
 PTC/CAD

THIRD ANGLE PROJECTION	
SCALE	NONE
DO NOT SCALE PRINT	
UNLESS OTHERWISE SPECIFIED TOLERANCES ARE	
ONE PLACE	(.0) ±.030
TWO PLACE	(.00) ±.015
THREE PLACE	(.000) ±.005
ANGLES	±
WEIGHT	

# BASIC SWITCH CODES 1 - 8



WITH OPERATING HEAD CODES "A" & "N"

CLC SERIES CHART 1	ISSUE	14	REPLACES	
	DRAWING NUMBER			
	PAGE	2 OF 3		
	RELEASE NO.	CO-93942		
	CHECK			
	REVISIONS			
A	CO-95788			
	MAN	22 OCT 99		
B	CO-95967			
	DCS	3 MAY 00		
C	201010			
	TSM	10AUG00		
D	201144			
	GLH	26SEP00		
E	202321			
	DCS	27 FEB 01		
F	205423			
	GRJ	22 APR 02		
G	205798			
	TSM	17 JUN 02		
H	205952			
	GLH	12 JUL 02		
J	206479			
	TSM	19 SEP 02		
K	207283			
	GLH	27 JAN 03		
	DRAWN	22 OCT 99		
	CHECK			
	P.T.C./CAD	3D		
	MAM			

THIS DRAWING COVERS A PROPRIETARY ITEM AND IS THE PROPERTY OF MICRO SWITCH, A DIVISION OF HONEYWELL. THIS DRAWING IS NOT TO BE COPIED OR USED WITHOUT THE APPROVAL OF MICRO SWITCH.

**MICRO SWITCH**  
a Honeywell Division

**SWITCH - ENCLOSED**

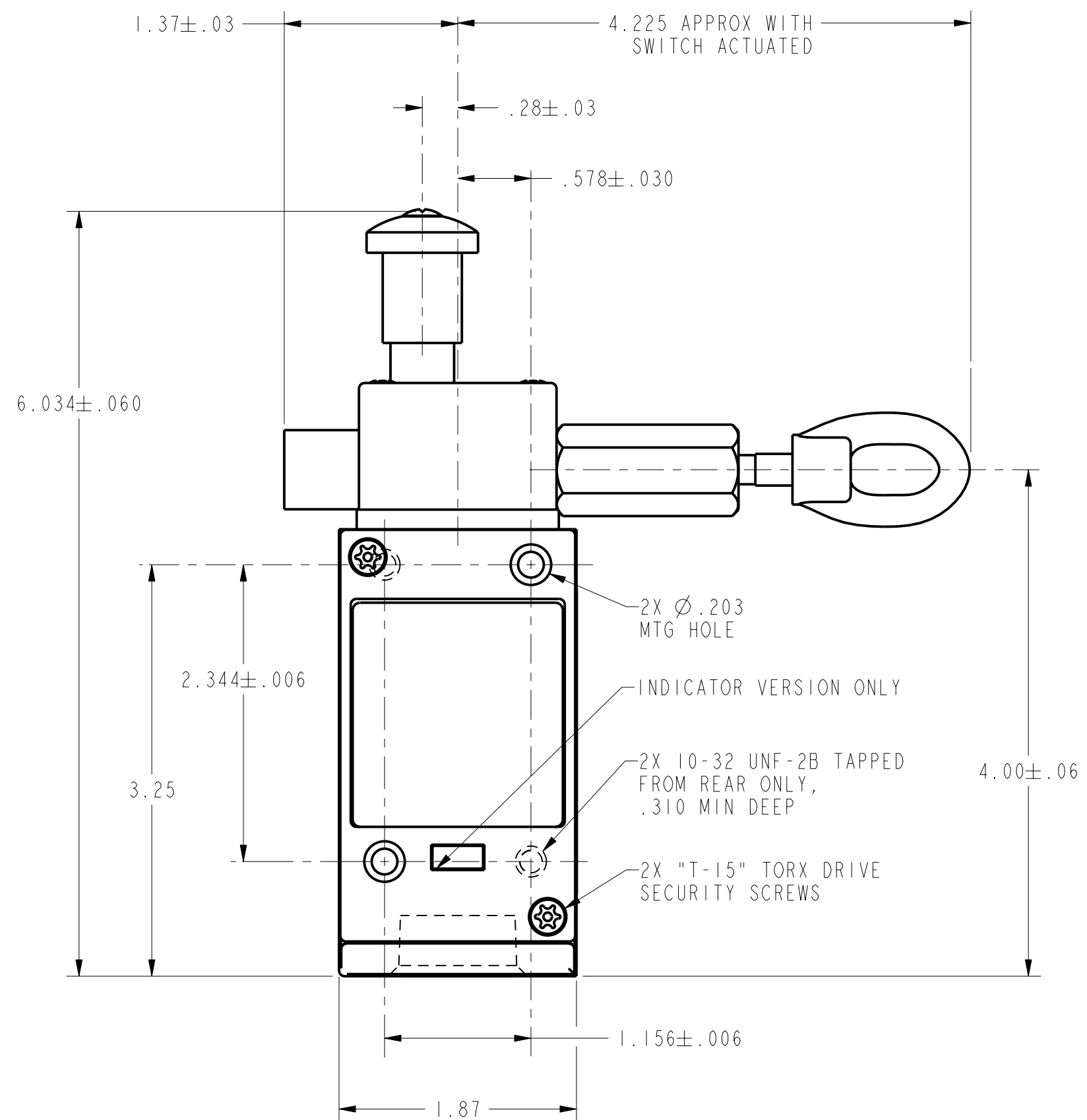
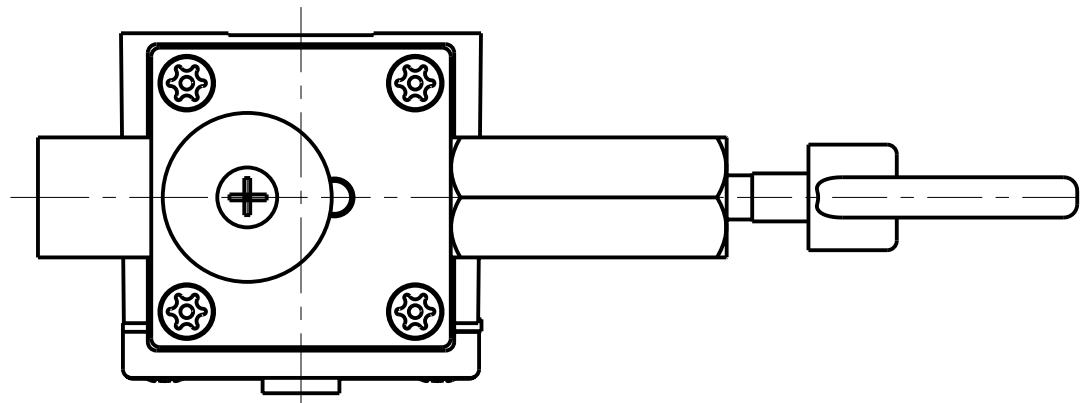
CATALOG LISTING  
**CLS SERIES CHART 1**

ANSI Y14.5M-1982 APPLIES

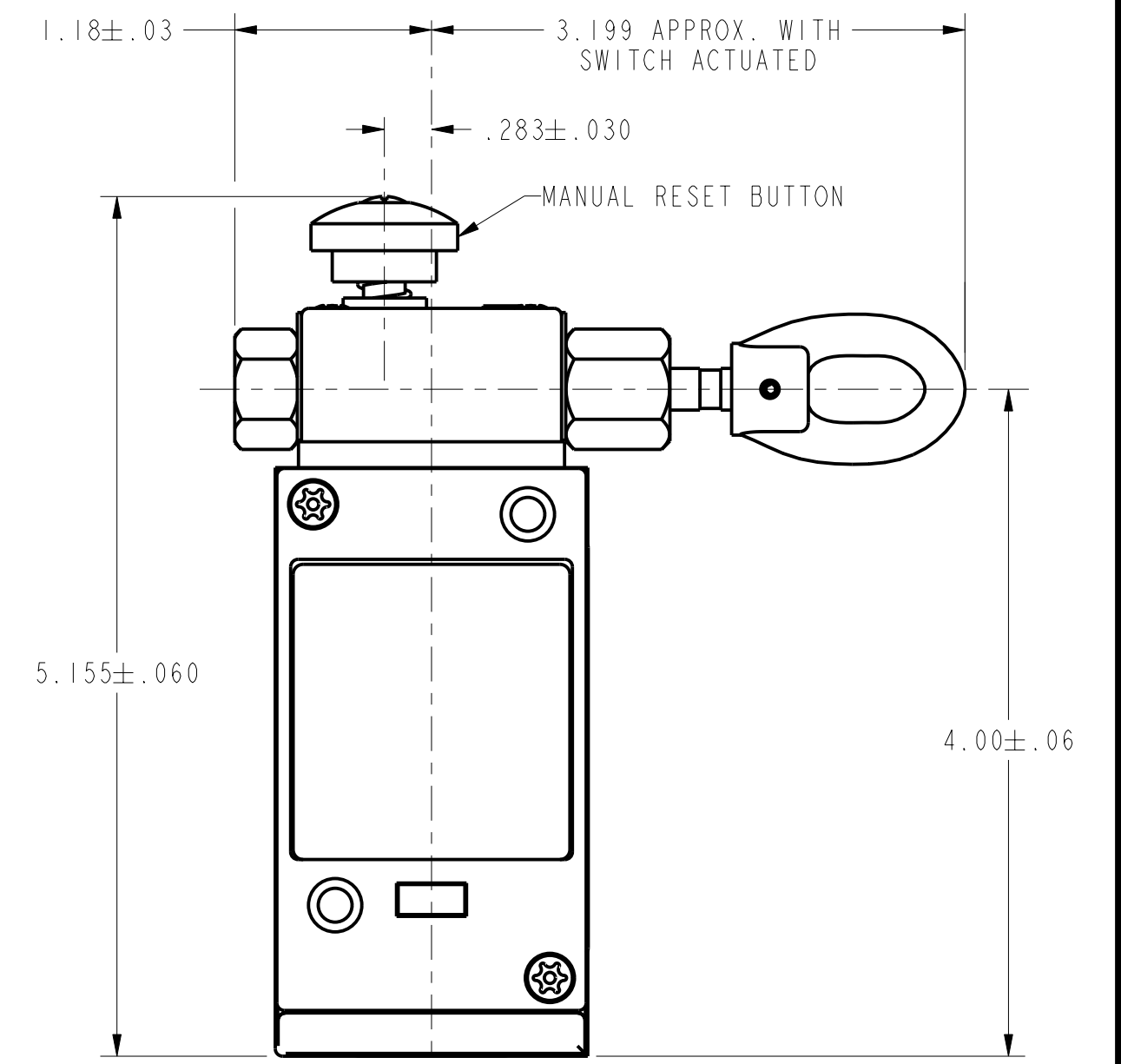
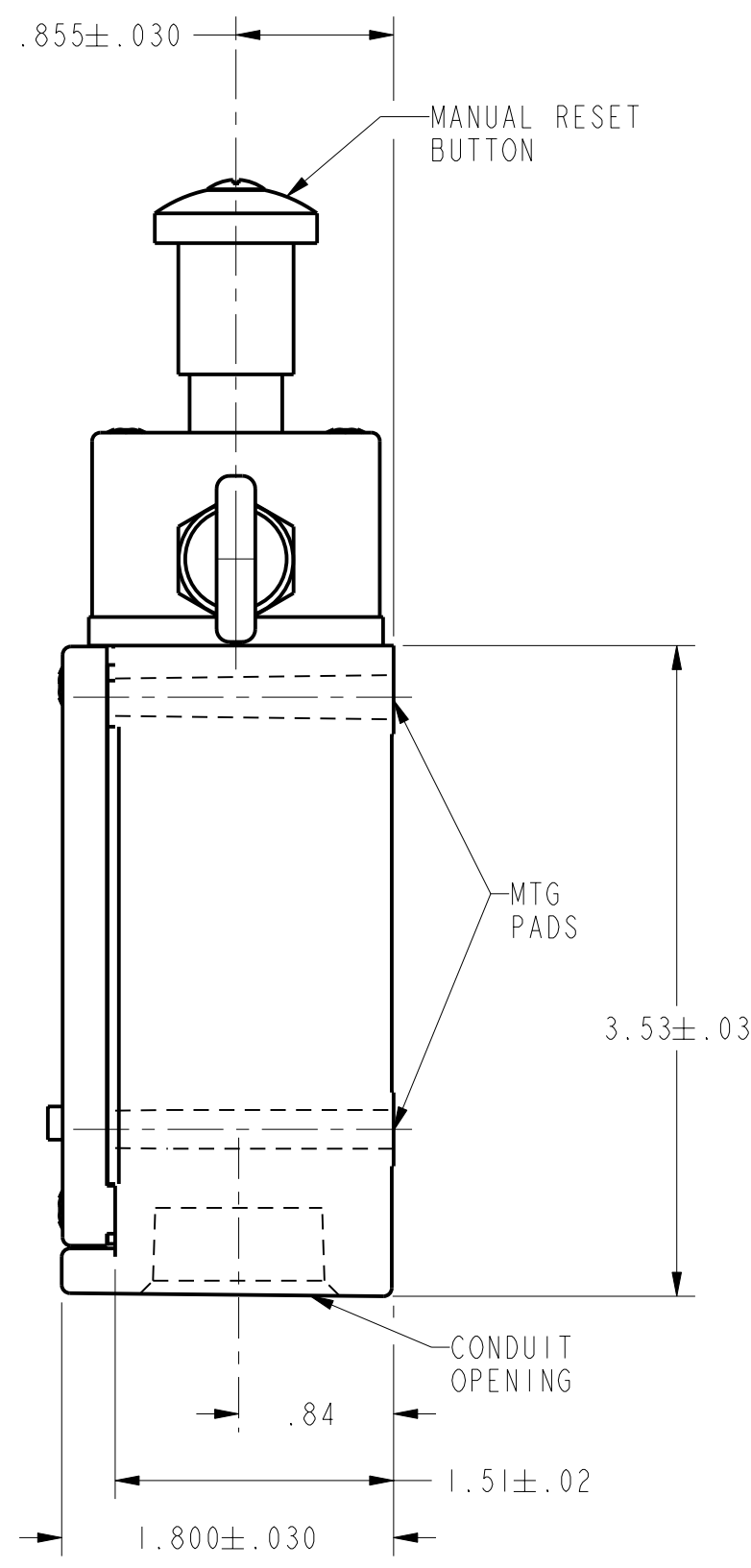
FED. MFG. CODE 91929

THIRD ANGLE PROJECTION	
SCALE FULL	
DO NOT SCALE PRINT	
UNLESS OTHERWISE SPECIFIED TOLERANCES ARE	
ONE PLACE	(.0) ±.030
TWO PLACES	(.00) ±.015
THREE PLACES	(.000) ±.005
ANGLES	±
WEIGHT	

# BASIC SWITCH CODE 9



WITH OPERATING HEAD CODE "T"



WITH OPERATING HEAD CODE "A"

M CLS SERIES CHART 1		RELEASE NO. CO-93942
PAGE 3 OF 3		
ISSUE	14	
REVISIONS		
A	CO-95788	
B	CO-95967	
C	201010	
D	201144	
E	202321	
F	205423	
G	205798	
H	205952	
J	206479	
K	207283	
27 JAN 03		

THIS DRAWING COVERS A PROPRIETARY ITEM AND IS THE PROPERTY OF MICRO SWITCH, A DIVISION OF HONEYWELL. THIS DRAWING IS NOT TO BE COPIED OR USED WITHOUT THE APPROVAL OF MICRO SWITCH.

**MICRO SWITCH**  
a Honeywell Division

**SWITCH - ENCLOSED**

CATALOG LISTING  
**CLS SERIES CHART 1**

THIRD ANGLE PROJECTION		
SCALE FULL		
DO NOT SCALE PRINT		
UNLESS OTHERWISE SPECIFIED TOLERANCES ARE		
ONE PLACE	(.0)	±.030
TWO PLACES	(.00)	±.015
THREE PLACES	(.000)	±.005
ANGLES		±
WEIGHT		



Компания «ЭлектроПласт» предлагает заключение долгосрочных отношений при поставках импортных электронных компонентов на взаимовыгодных условиях!

Наши преимущества:

- Оперативные поставки широкого спектра электронных компонентов отечественного и импортного производства напрямую от производителей и с крупнейших мировых складов;
- Поставка более 17-ти миллионов наименований электронных компонентов;
- Поставка сложных, дефицитных, либо снятых с производства позиций;
- Оперативные сроки поставки под заказ (от 5 рабочих дней);
- Экспресс доставка в любую точку России;
- Техническая поддержка проекта, помощь в подборе аналогов, поставка прототипов;
- Система менеджмента качества сертифицирована по Международному стандарту ISO 9001;
- Лицензия ФСБ на осуществление работ с использованием сведений, составляющих государственную тайну;
- Поставка специализированных компонентов (Xilinx, Altera, Analog Devices, Intersil, Interpoint, Microsemi, Aeroflex, Peregrine, Syfer, Eurofarad, Texas Instrument, Miteq, Cobham, E2V, MA-COM, Hittite, Mini-Circuits, General Dynamics и др.);

Помимо этого, одним из направлений компании «ЭлектроПласт» является направление «Источники питания». Мы предлагаем Вам помощь Конструкторского отдела:

- Подбор оптимального решения, техническое обоснование при выборе компонента;
- Подбор аналогов;
- Консультации по применению компонента;
- Поставка образцов и прототипов;
- Техническая поддержка проекта;
- Защита от снятия компонента с производства.



#### Как с нами связаться

**Телефон:** 8 (812) 309 58 32 (многоканальный)

**Факс:** 8 (812) 320-02-42

**Электронная почта:** [org@eplast1.ru](mailto:org@eplast1.ru)

**Адрес:** 198099, г. Санкт-Петербург, ул. Калинина, дом 2, корпус 4, литера А.