

CABLE PULL NOMENCLATURE

CLS 

BODY CODE	
A	PG13.5
B	1/2 NPT
C	20MM
D	PF 1/2
E	3/4 NPT

BASIC SWITCH CODE	
1	1NC DIRECT ACTING
2	1NO - 1NC SNAP ACTION (HDL) MOMENTARY HEADS ONLY
3	1NO - 1NC SNAP ACTION (GLS) MOMENTARY HEADS ONLY
4	1NO - 1NC DIRECT ACTING
5	1NO - 1NC DIRECT ACTING 240V NEON INDICATOR
6	1NO - 1NC DIRECT ACTING 120V NEON INDICATOR
7	1NO - 1NC DIRECT ACTING 24V LED INDICATOR
8	2NC DIRECT ACTING
9	SPECIAL BASIC SEE LETTERED MOD CODES

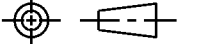
OPERATING HEAD CODE	
A	"MAINTAINED"
B	"MOMENTARY"
N	"MOMENTARY" W/O BROKEN CABLE DETECTION
T	"MAINTAINED" SNAP ACTION

MODIFICATION CODES *	
B	1NO-3NC SLOW ACTING
E	2NO-2NC SLOW ACTING
G	5-PIN CONNECTOR BRAD HARRISON P/N 41310 OR EQUIV.
N	240V NEON INDICATOR W/SPEC. BASIC
M	120V NEON INDICATOR W/SPEC. BASIC
P	24V LED INDICATOR W/SPEC. BASIC
1	HEAD ORIENTED LEFT
2	HEAD ORIENTED FRONT
3	HEAD ORIENTED REAR

*WHEN MORE THAN ONE MODIFICATION CODE IS SPECIFIED THEY SHALL BE LISTED IN ASCENDING ALPHA-NUMERIC ORDER

NOTE:

- 1 - COVER AND OPERATING HEAD ATTACHED WITH "T-15" TAMPER PROOF TORX DRIVE SCREWS
- 2 - HARDWARE PACKET CONSISTING OF TURNBUCKLE, NUTS, END SPRING, AND "T-15" TAMPER PROOF TORX DRIVER BIT INCLUDED WITH PRODUCT
- 3 - OPERATING HEAD MAY BE POSITIONED IN ANY OF FOUR DIRECTIONS
- 4 - NOMENCLATURE IS PROVIDED FOR IDENTIFICATION OF EXISTING LISTINGS. NOT ALL COMBINATIONS ARE POSSIBLE

THIRD ANGLE PROJECTION	
	
SCALE	NONE
DO NOT SCALE PRINT	
UNLESS OTHERWISE SPECIFIED TOLERANCES ARE	
ONE PLACE	(.0) ±.030
TWO PLACE	(.00) ±.015
THREE PLACE	(.000) ±.005
ANGLES	±
WEIGHT	

CATALOG LISTING

CLS SERIES CHART 1

PAGE 1 OF 3

RELEASE NO. PR-21597

REPLACES

ISSUE 9

REVISIONS	
A	CO-93942 GLH 7 DEC 88
B	CO-94714 GLH 7 APR 89
C	CO-95788 MAM 25 OCT 89
D	CO-95967 DCS 3 MAY 00
E	201010 TSM 10/16/00
F	201144 GLH 28 SEP 00
G	202321 DCS 27 FEB 01

PTC/CAD

DRAWN

LJK

CHECK

LJK

5 APR 96

CLS SERIES CHART 1
 PAGE 2 OF 3
 RELEASE NO. CO-93942
 DRAWING NUMBER
 ISSUE 9
 REVISIONS
 A CO-95788
 MAN 22 OCT 99
 B CO-95967
 DCS 3 MAY 00
 C 201010
 YSM 10AUG00
 D 201144
 GLH 26SEP00
 E 202321
 DCS 27 FEB 01
 PTC/CAD 3D
 DRAWN
 MAM 22 OCT 99
 CHECK

4.674±.060

2.344±.006

2.77

3.52±.06

2X Ø.203 MTG HOLE

INDICATOR VERSION ONLY

2X 10-32 UNF-2B TAPPED FROM REAR ONLY, .500 MIN DEEP

2X "T-15" TORX DRIVE SECURITY SCREWS

CONNECTOR VERSION ONLY

1.156±.006

1.62

2.99±.03

MTG PADS

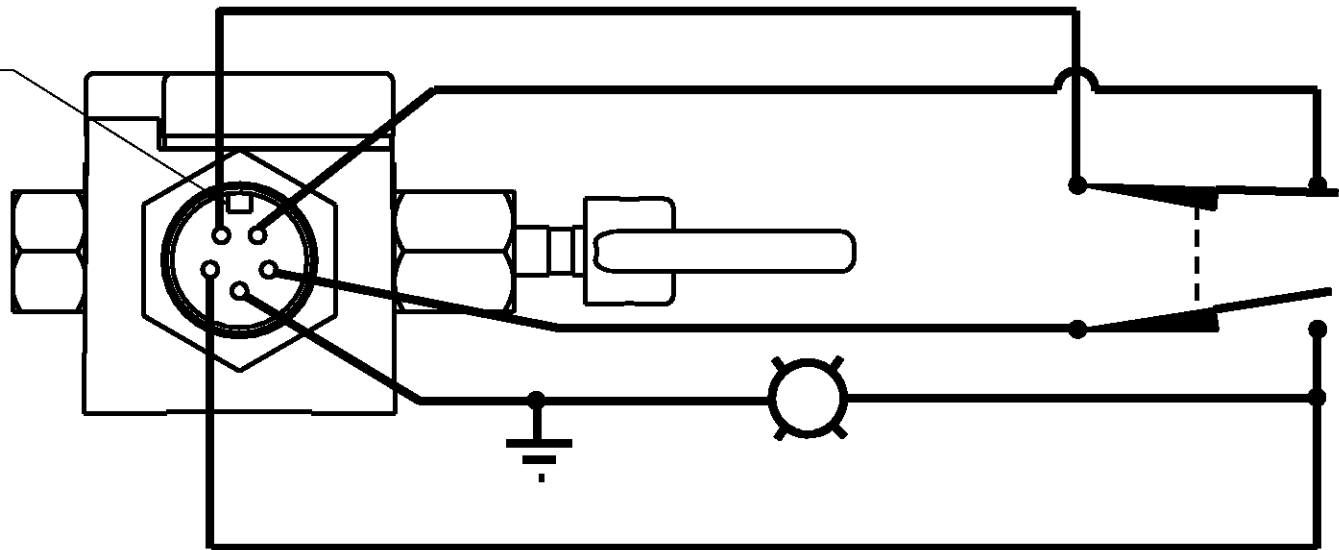
CONDUIT OPENING

.800

1.535±.020

1.773±.030

KEYWAY



MODIFICATION CODE G
WIRING DIAGRAM

WITH OPERATING

1.37±.02

.28±

5.553±.060

WITH OPERATING

WITH OPERATING HEAD CODES "A" & "N"

THIS DRAWING COVERS A PROPRIETARY ITEM AND IS THE PROPERTY OF MICRO SWITCH, A HONEYWELL. THIS DRAWING IS NOT TO BE COPIED OR USED WITHOUT THE APPROVAL OF MICRO SWITCH.

MICRO SWITCH
a Honeywell Division

SWITCH - ENCLOSED

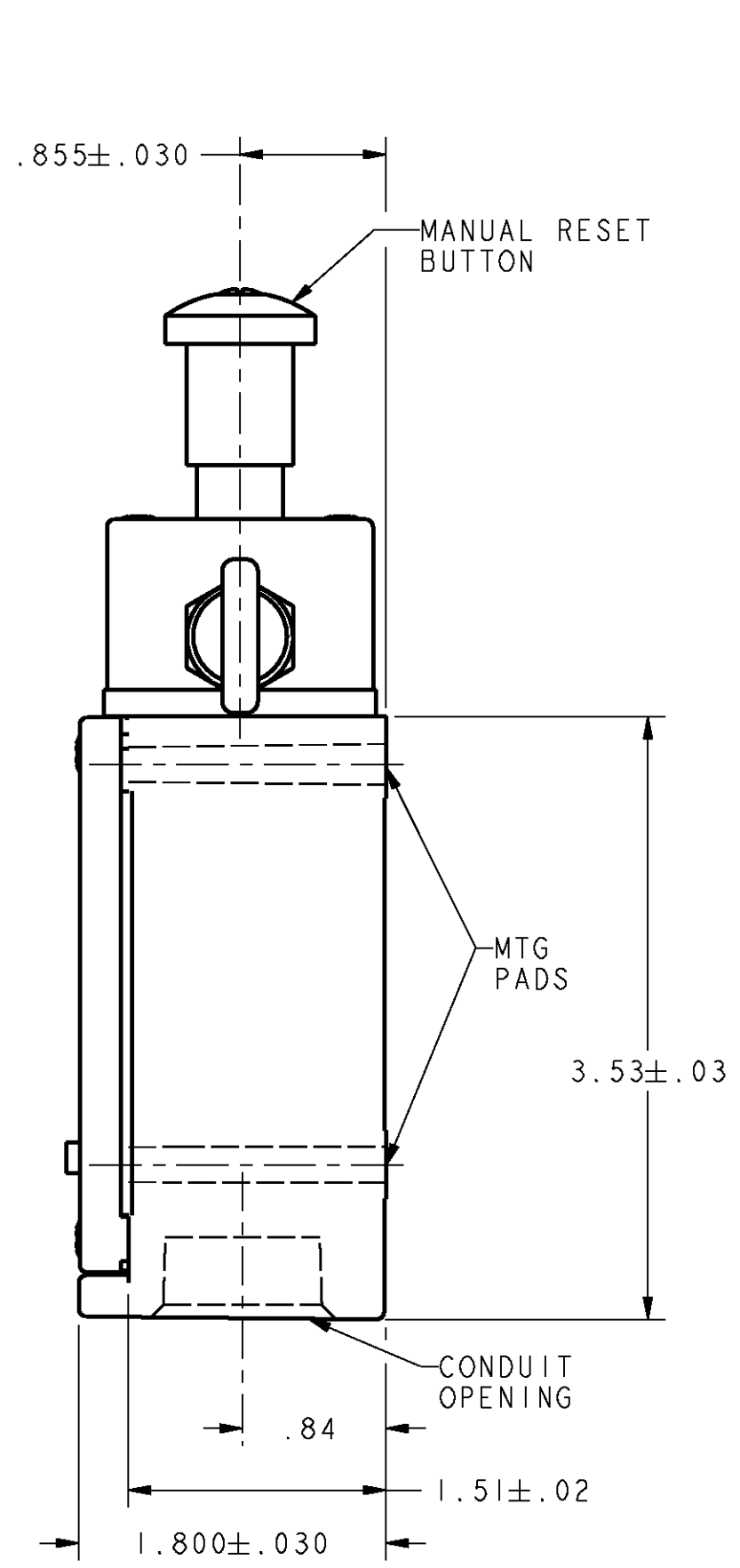
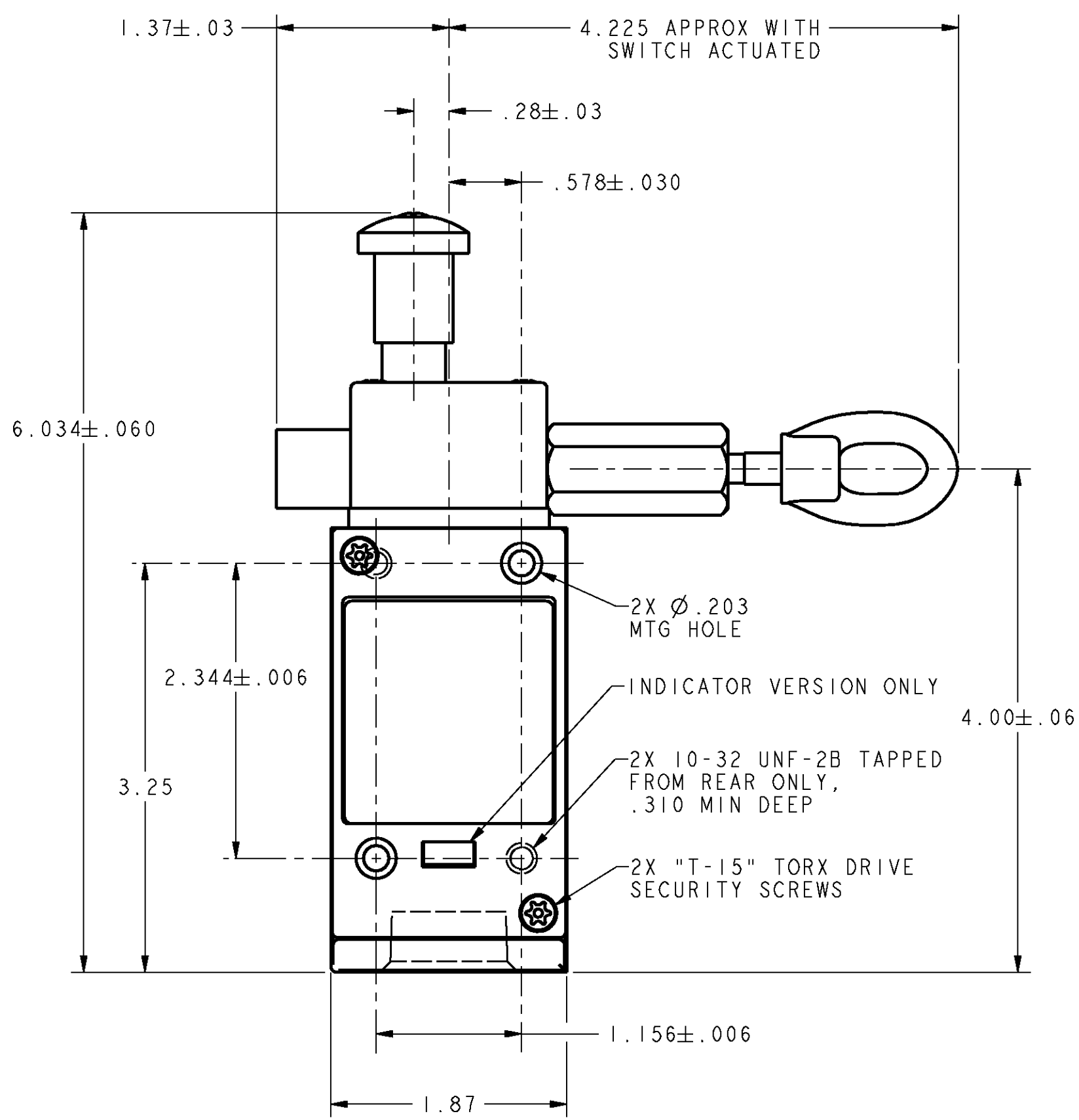
CLS SERIES

ANSI Y14.5M-1982 APPLIES

FED. MFG. CODE 91929

REVISIONS		CHECK
A	CO-95788 MAN 22 OCT 99	
B	CO-95967 DCS 4 MAY 00	
C	201010 ISM 10AUG00	
D	201144 GLH 26SEP00	
E	202321 DCS 27 FEB 01	

CHECK	DATE	CHECK
	22 OCT 99	



WITH OPERATING HEAD CODE "T"

THIS DRAWING COVERS A PROPRIETARY ITEM AND IS THE PROPERTY OF MICRO SWITCH, A HONEYWELL. THIS DRAWING IS NOT TO BE COPIED OR USED WITHOUT THE APPROVAL OF MICRO SWITCH.		
MICRO SWITCH a Honeywell Division FED. MFG. CODE 91929	SWITCH - ENCLOSED	CATALOG CLC SER

CABLE PULL NOMENCLATURE



BODY CODE	
A	PG13.5
B	1/2 NPT
C	20MM
D	PF 1/2
E	3/4 NPT

BASIC SWITCH CODE	
1	1NC DIRECT ACTING
2	1NO - 1NC SNAP ACTION (HDLS) MOMENTARY HEADS ONLY
3	1NO - 1NC SNAP ACTION (GLS) MOMENTARY HEADS ONLY
4	1NO - 1NC DIRECT ACTING
5	1NO - 1NC DIRECT ACTING 240V NEON INDICATOR
6	1NO - 1NC DIRECT ACTING 120V NEON INDICATOR
7	1NO - 1NC DIRECT ACTING 24V LED INDICATOR
8	2NC DIRECT ACTING
9	SPECIAL BASIC SEE LETTERED MOD CODES

OPERATING HEAD CODE	
A	"MAINTAINED"
B	"MOMENTARY"
N	"MAINTAINED" W/O BROKEN CABLE DETECTION
T	"MAINTAINED" SNAP ACTION

MODIFICATION CODES *	
B	1NO-3NC SLOW ACTING
E	2NO-2NC SLOW ACTING
G	5-PIN CONNECTOR BRAD HARRISON P/N 41310 OR EQUIV.
N	240V NEON INDICATOR W/SPEC. BASIC
M	120V NEON INDICATOR W/SPEC. BASIC
P	24V LED INDICATOR W/SPEC. BASIC
1	HEAD ORIENTED LEFT
2	HEAD ORIENTED FRONT
3	HEAD ORIENTED REAR

*WHEN MORE THAN ONE MODIFICATION CODE IS SPECIFIED THEY SHALL BE LISTED IN ASCENDING ALPHA-NUMERIC ORDER

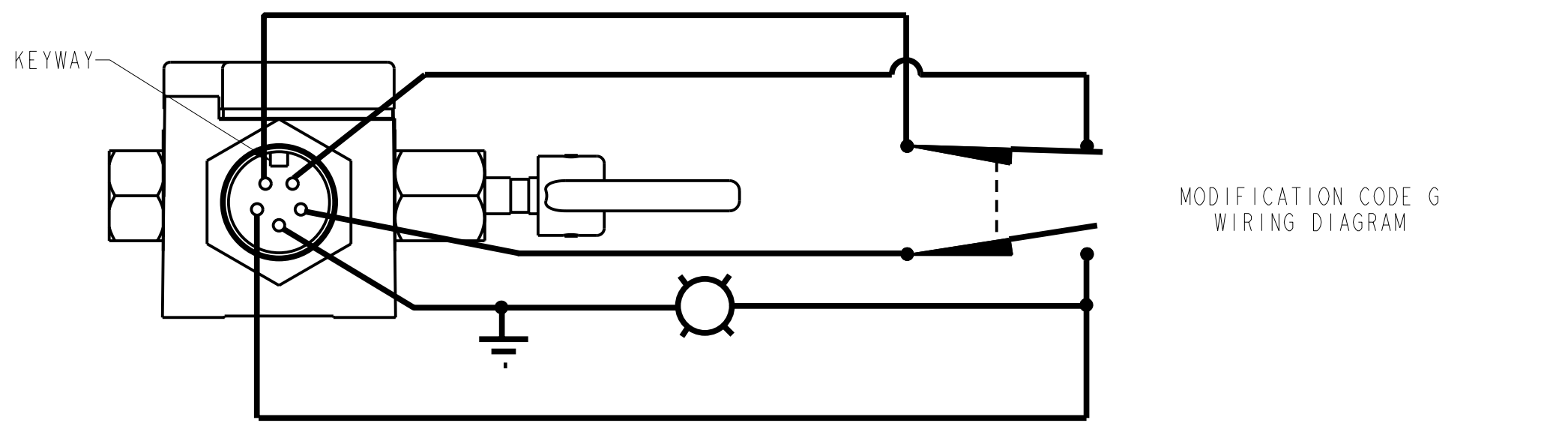
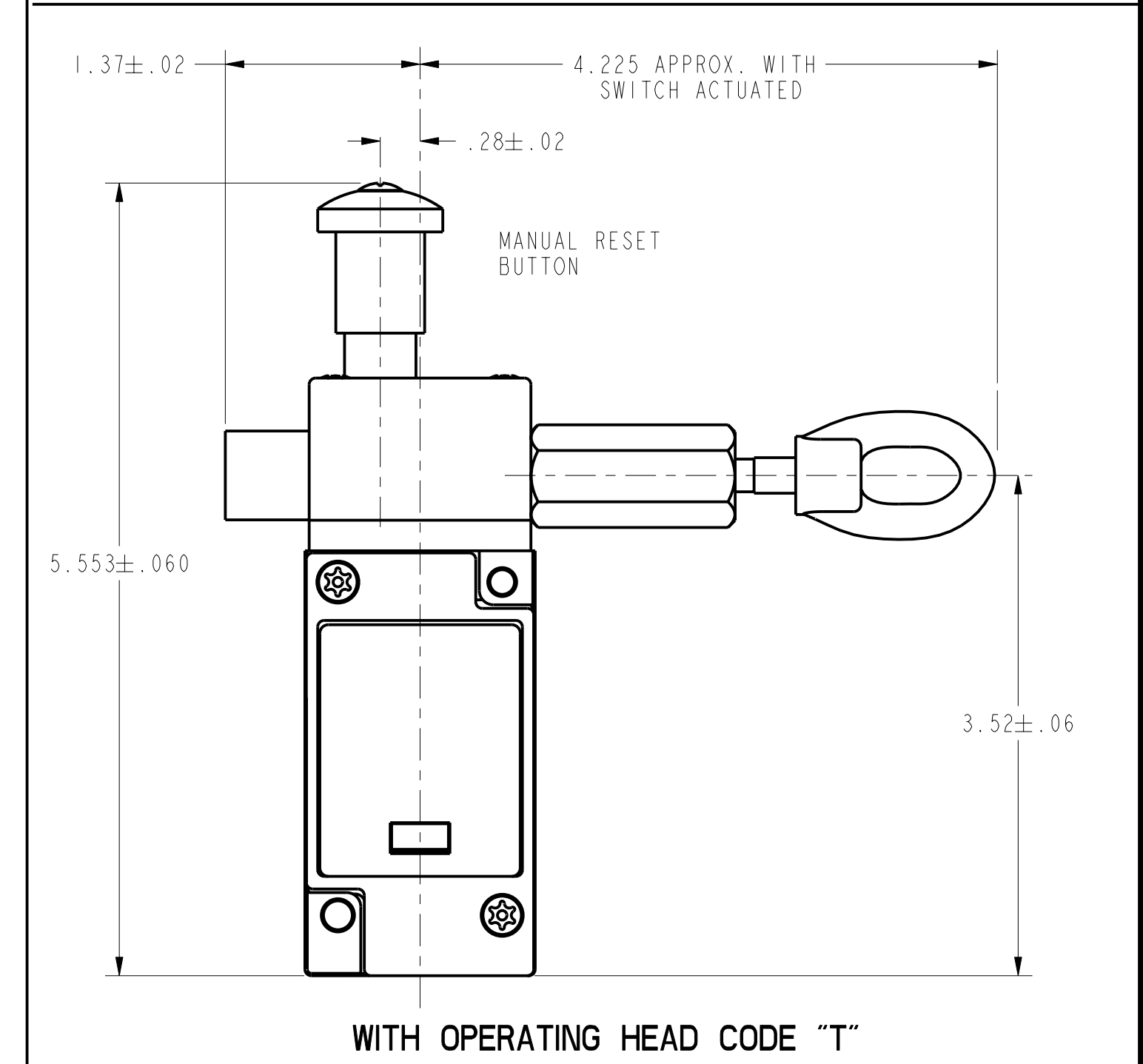
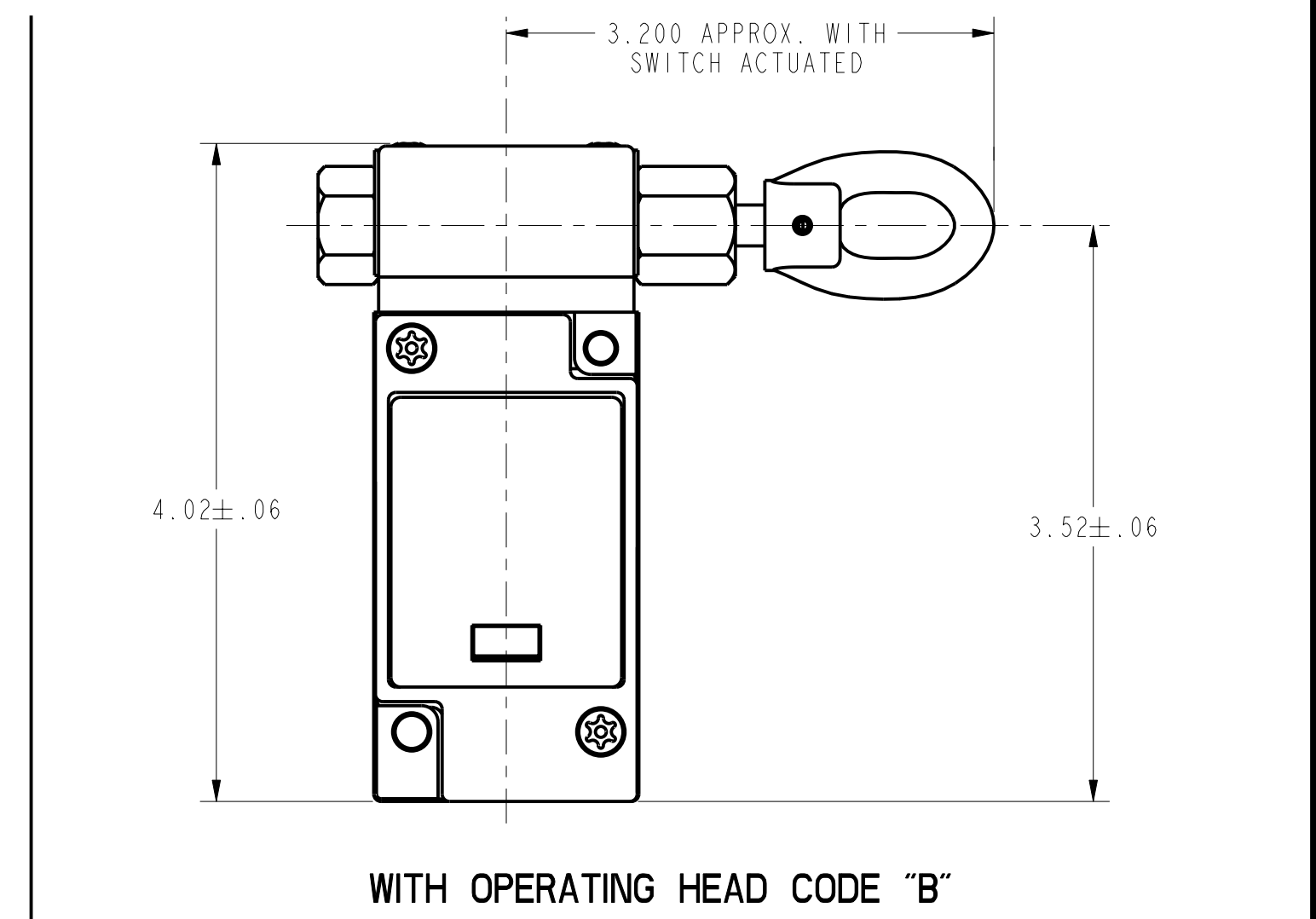
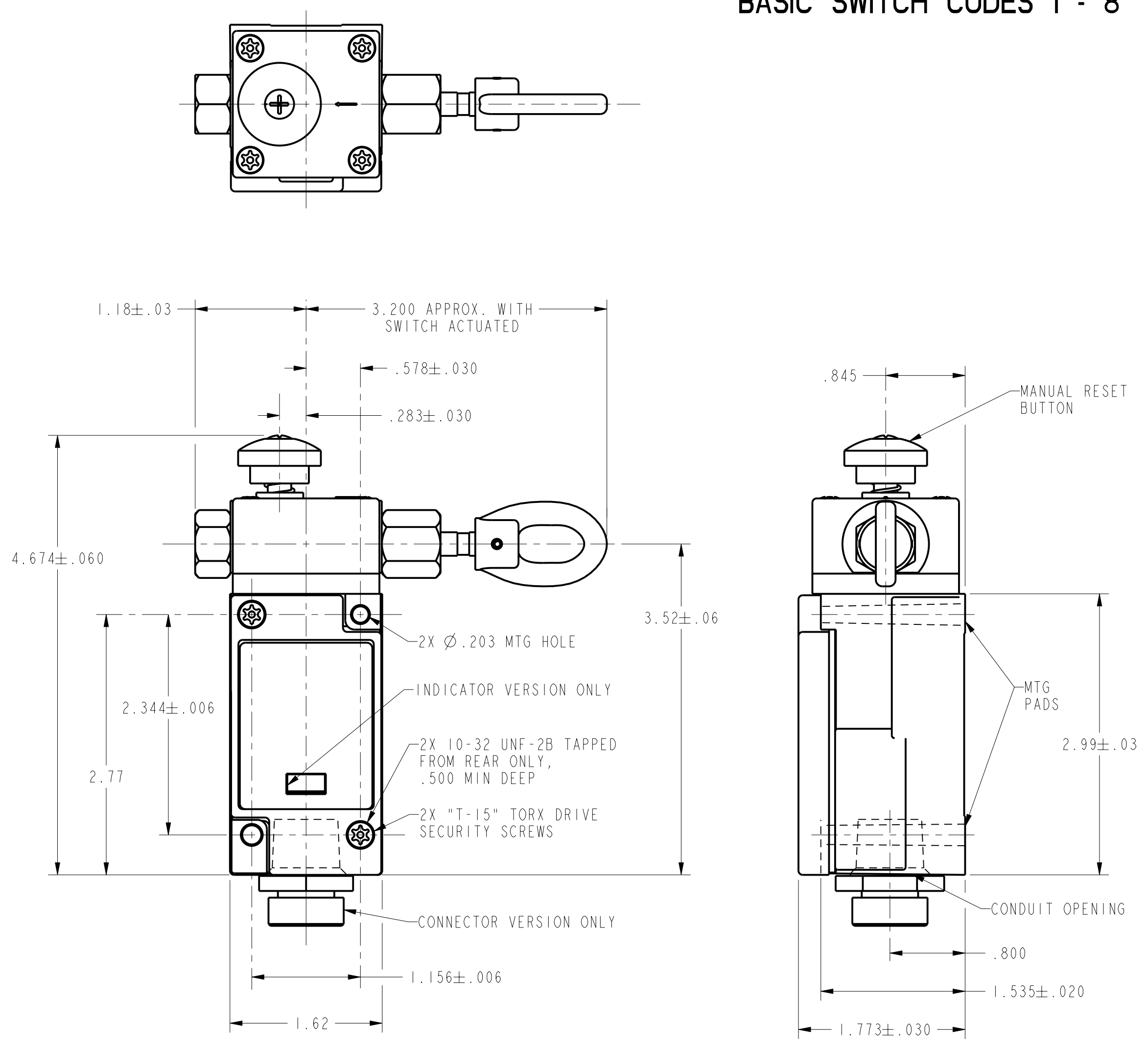
NOTE:

- 1 - COVER AND OPERATING HEAD ATTACHED WITH "T-15" TAMPER PROOF TORX DRIVE SCREWS
- 2 - HARDWARE PACKET CONSISTING OF TURNBUCKLE, NUTS, END SPRING, AND "T-15" TAMPER PROOF TORX DRIVER BIT INCLUDED WITH PRODUCT
- 3 - OPERATING HEAD MAY BE POSITIONED IN ANY OF FOUR DIRECTIONS
- 4 - NOMENCLATURE IS PROVIDED FOR IDENTIFICATION OF EXISTING LISTINGS. NOT ALL COMBINATIONS ARE POSSIBLE

CLS SERIES CHART 1
 CATALOG LISTING
 PAGE 1 OF 3
 RELEASE NO. PR-21597
 REPLACES
 ISSUE 14
 CHECK
 REVISIONS
 A 206479 TSM 19SEP02
 B 207283 GLH 27JAN03
 CHECK
 LJK 7 DEC 98
 CHECK
 LJK 5 APR 96
 DRAWN
 PTC/CAD LJK

THIRD ANGLE PROJECTION	
SCALE	NONE
DO NOT SCALE PRINT	
UNLESS OTHERWISE SPECIFIED TOLERANCES ARE	
ONE PLACE	(.0) ±.030
TWO PLACE	(.00) ±.015
THREE PLACE	(.000) ±.005
ANGLES	±
WEIGHT	

BASIC SWITCH CODES 1 - 8



WITH OPERATING HEAD CODES "A" & "N"

WITH OPERATING HEAD CODE "T"

CLS SERIES CHART 1	ISSUE 14	DRAWING NUMBER	REPLACES
M	14		
2	2	2	2
OF	OF	OF	OF
3	3	3	3
PAGE	PAGE	PAGE	PAGE
NO.	NO.	NO.	NO.
CO-93942	CO-93942	CO-93942	CO-93942
RELEASE NO.	RELEASE NO.	RELEASE NO.	RELEASE NO.
93942	93942	93942	93942
REVISIONS	REVISIONS	REVISIONS	REVISIONS
A	A	A	A
CO-95788	CO-95788	CO-95788	CO-95788
MAR 22 1999	MAR 22 1999	MAR 22 1999	MAR 22 1999
B	B	B	B
CO-95967	CO-95967	CO-95967	CO-95967
MAY 03 2000	MAY 03 2000	MAY 03 2000	MAY 03 2000
C	C	C	C
201010	201010	201010	201010
AUG 10 2000	AUG 10 2000	AUG 10 2000	AUG 10 2000
D	D	D	D
201144	201144	201144	201144
SEP 26 2000	SEP 26 2000	SEP 26 2000	SEP 26 2000
E	E	E	E
202321	202321	202321	202321
FEB 27 2001	FEB 27 2001	FEB 27 2001	FEB 27 2001
F	F	F	F
205423	205423	205423	205423
APR 22 2002	APR 22 2002	APR 22 2002	APR 22 2002
G	G	G	G
205798	205798	205798	205798
JUN 17 2002	JUN 17 2002	JUN 17 2002	JUN 17 2002
H	H	H	H
205952	205952	205952	205952
JUL 12 2002	JUL 12 2002	JUL 12 2002	JUL 12 2002
J	J	J	J
206479	206479	206479	206479
SEP 19 2002	SEP 19 2002	SEP 19 2002	SEP 19 2002
K	K	K	K
207283	207283	207283	207283
JAN 27 2003	JAN 27 2003	JAN 27 2003	JAN 27 2003
P.T.C./CAD	P.T.C./CAD	P.T.C./CAD	P.T.C./CAD
30	30	30	30
DRAWN	DRAWN	DRAWN	DRAWN
MAM	MAM	MAM	MAM
22 OCT 99	22 OCT 99	22 OCT 99	22 OCT 99
CHECK	CHECK	CHECK	CHECK

THIS DRAWING COVERS A PROPRIETARY ITEM AND IS THE PROPERTY OF MICRO SWITCH, A DIVISION OF HONEYWELL. THIS DRAWING IS NOT TO BE COPIED OR USED WITHOUT THE APPROVAL OF MICRO SWITCH.

MICRO SWITCH
a Honeywell Division

SWITCH - ENCLOSED

CATALOG LISTING
CLS SERIES CHART 1

THIRD ANGLE PROJECTION

SCALE FULL

DO NOT SCALE PRINT

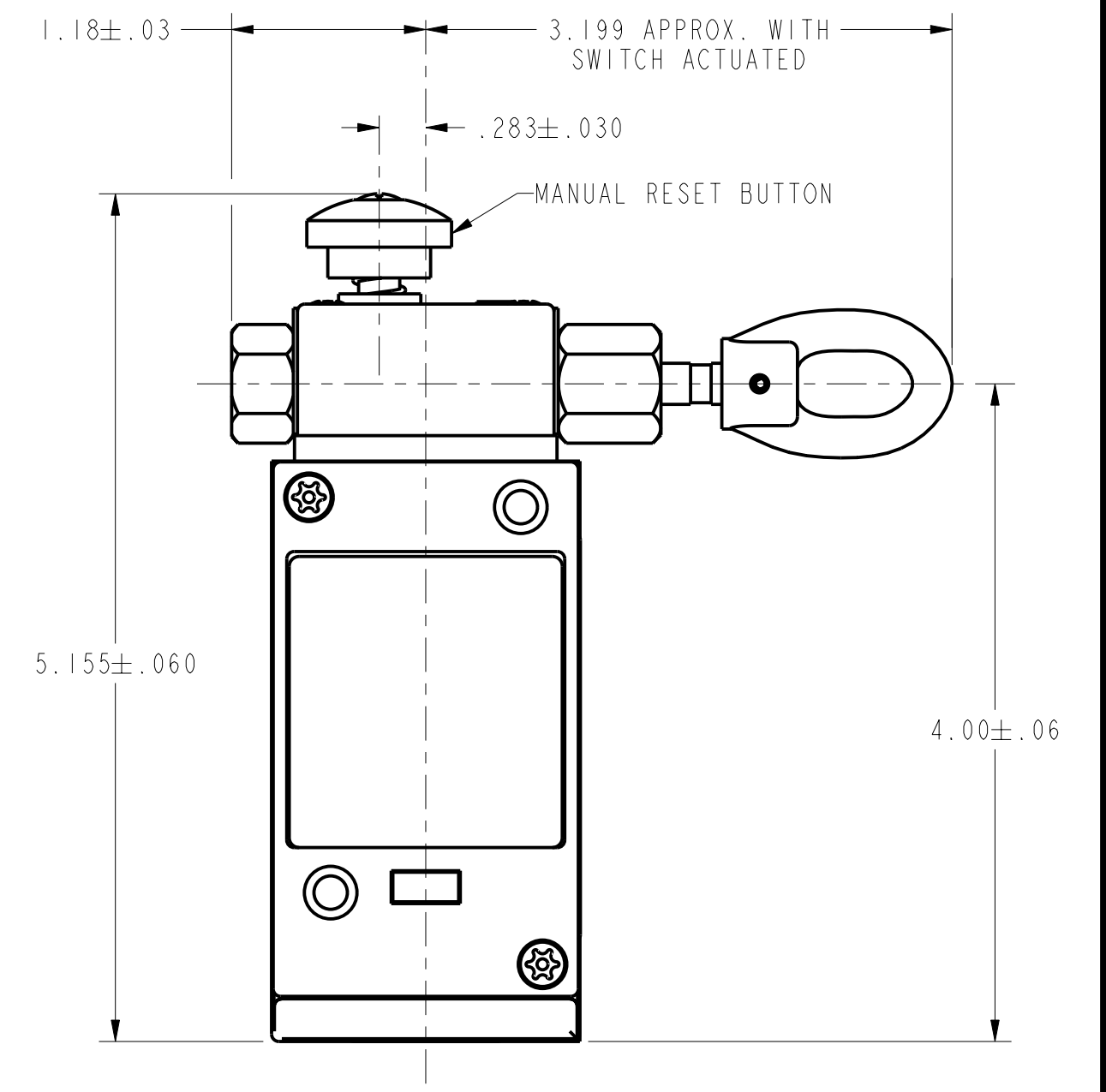
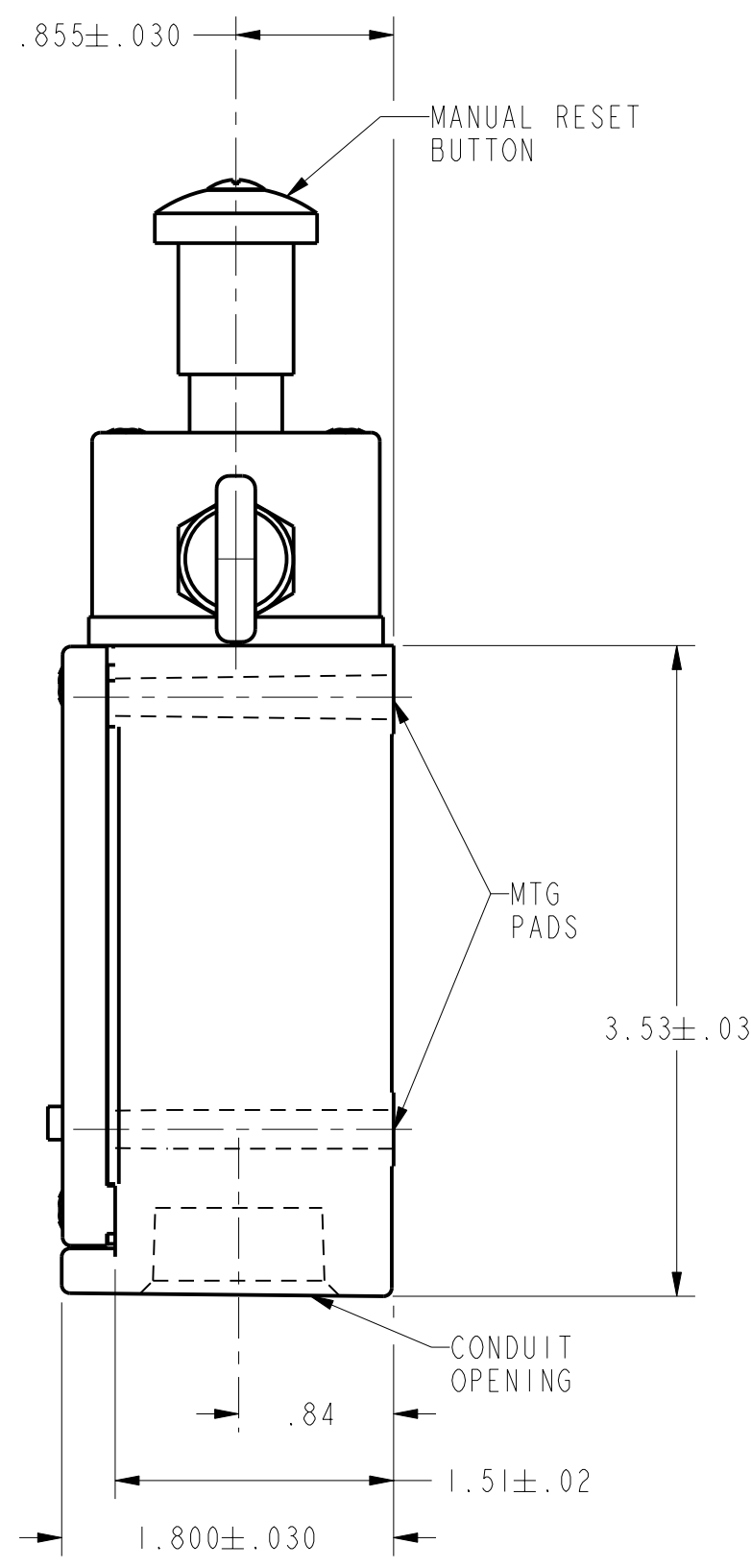
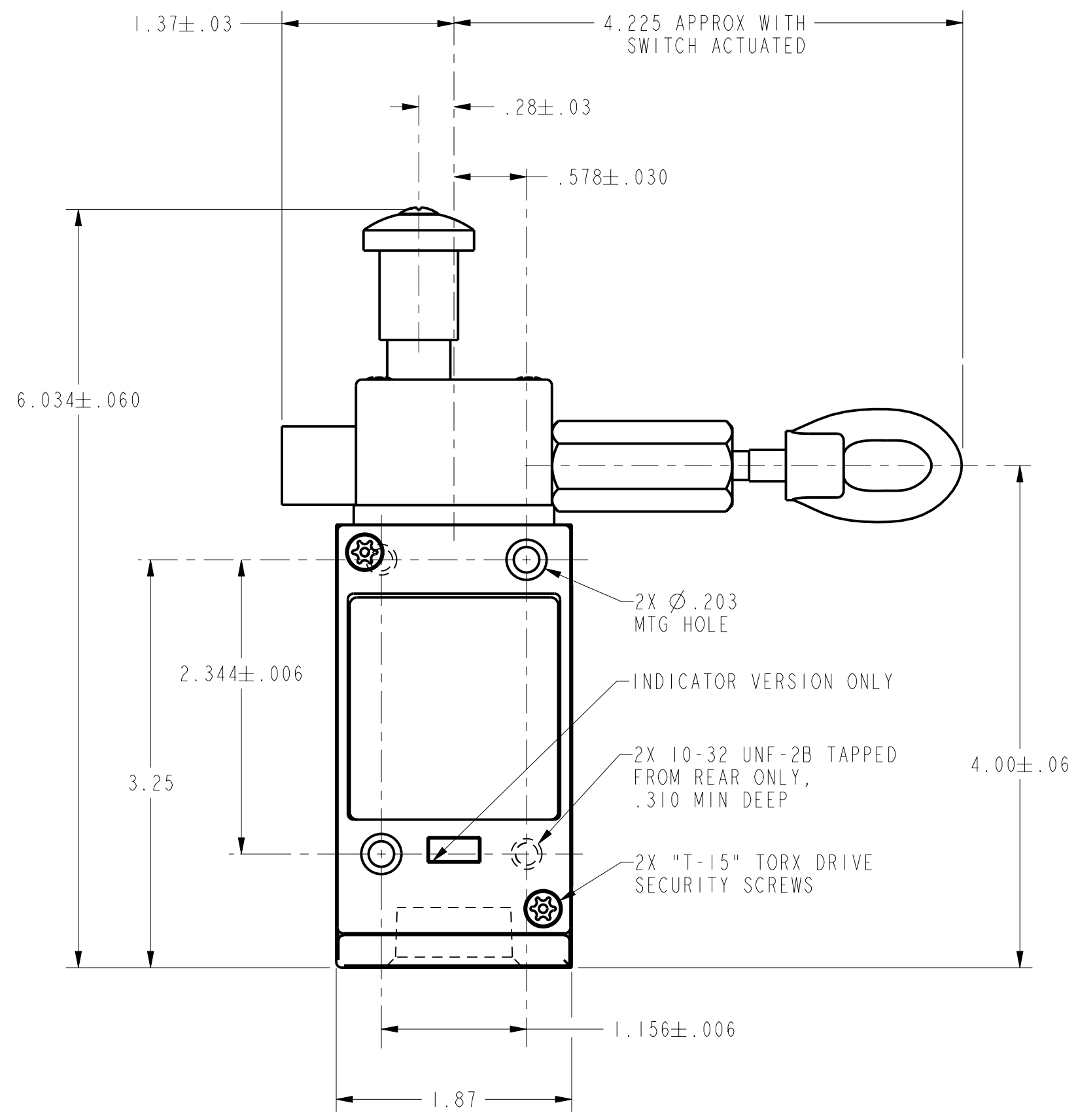
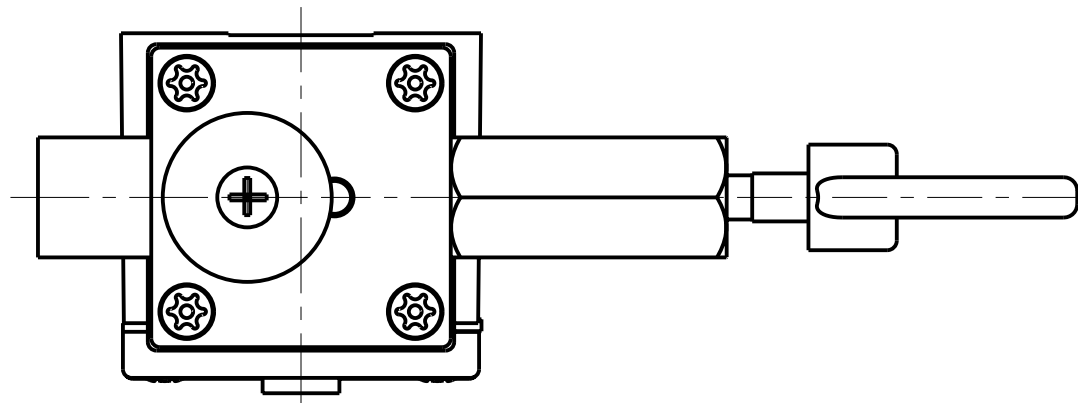
UNLESS OTHERWISE SPECIFIED TOLERANCES ARE

ONE PLACE	(.0)	± .030
TWO PLACES	(.00)	± .015
THREE PLACES	(.000)	± .005
ANGLES		±
WEIGHT		

ANSI Y14.5M-1982 APPLIES

FED. MFG. CODE 91929

BASIC SWITCH CODE 9



WITH OPERATING HEAD CODE "A"

WITH OPERATING HEAD CODE "T"

CLS SERIES CHART 1
PAGE 3 OF 3
RELEASE NO. CO-93942
REPLACES
DRAWING NUMBER
14
ISSUE
REVISIONS
A CO-95788
MAN
22 OCT 99
B CO-95967
DCS
4 MAY 00
C 201010
TSR
10AUG00
D 201144
SLT
26SEP00
E 202321
DCS
27 FEB 01
F 205423
GRI
22 APR 02
G 205798
TSR
17 JUN 02
H 205952
SLT
12 JUL 02
J 206479
TSR
19 SEP 02
K 207283
SLT
27JAN03
DRAWN
P.T.C./CAD 30
MAM
22OCT99
CHECK

THIS DRAWING COVERS A PROPRIETARY ITEM AND IS THE PROPERTY OF MICRO SWITCH, A DIVISION OF HONEYWELL. THIS DRAWING IS NOT TO BE COPIED OR USED WITHOUT THE APPROVAL OF MICRO SWITCH.

MICRO SWITCH
a Honeywell Division

SWITCH - ENCLOSED

CLAS LISTING
CLS SERIES CHART 1

FED. MFG. CODE 91929

THIRD ANGLE PROJECTION		
SCALE FULL		
DO NOT SCALE PRINT		
UNLESS OTHERWISE SPECIFIED TOLERANCES ARE		
ONE PLACE	(.0)	±.030
TWO PLACES	(.00)	±.015
THREE PLACES	(.000)	±.005
ANGLES		±
WEIGHT		



Компания «ЭлектроПласт» предлагает заключение долгосрочных отношений при поставках импортных электронных компонентов на взаимовыгодных условиях!

Наши преимущества:

- Оперативные поставки широкого спектра электронных компонентов отечественного и импортного производства напрямую от производителей и с крупнейших мировых складов;
- Поставка более 17-ти миллионов наименований электронных компонентов;
- Поставка сложных, дефицитных, либо снятых с производства позиций;
- Оперативные сроки поставки под заказ (от 5 рабочих дней);
- Экспресс доставка в любую точку России;
- Техническая поддержка проекта, помощь в подборе аналогов, поставка прототипов;
- Система менеджмента качества сертифицирована по Международному стандарту ISO 9001;
- Лицензия ФСБ на осуществление работ с использованием сведений, составляющих государственную тайну;
- Поставка специализированных компонентов (Xilinx, Altera, Analog Devices, Intersil, Interpoint, Microsemi, Aeroflex, Peregrine, Syfer, Eurofarad, Texas Instrument, Miteq, Cobham, E2V, MA-COM, Hittite, Mini-Circuits, General Dynamics и др.);

Помимо этого, одним из направлений компании «ЭлектроПласт» является направление «Источники питания». Мы предлагаем Вам помощь Конструкторского отдела:

- Подбор оптимального решения, техническое обоснование при выборе компонента;
- Подбор аналогов;
- Консультации по применению компонента;
- Поставка образцов и прототипов;
- Техническая поддержка проекта;
- Защита от снятия компонента с производства.



Как с нами связаться

Телефон: 8 (812) 309 58 32 (многоканальный)

Факс: 8 (812) 320-02-42

Электронная почта: org@eplast1.ru

Адрес: 198099, г. Санкт-Петербург, ул. Калинина, дом 2, корпус 4, литера А.