

FETA2500BA

FET A 2500 B A -□□ -□

① ② ③ ④ ⑤ ⑥ ⑦



Example recommended EMI/EMC filter
NAC-20-472



High voltage pulse noise type : NAP series
Low leakage current type : NAM series
* A higher current rating EMI/EMC filter may be recommended in view of the other devices that could be connected in parallel with the power supply.

- ① Series name
- ② Single output
- ③ Output wattage
- ④ 200/230V input
- ⑤ Version
- ⑥ Output voltage
- ⑦ Optional
- F2: Reverse air exhaust
- R: with Remote ON/OFF
- Positive logic control

*Make sure necessary tests will be carried out on your end equipment with the power supply installed in accordance with any required EMC/EMI regulations.

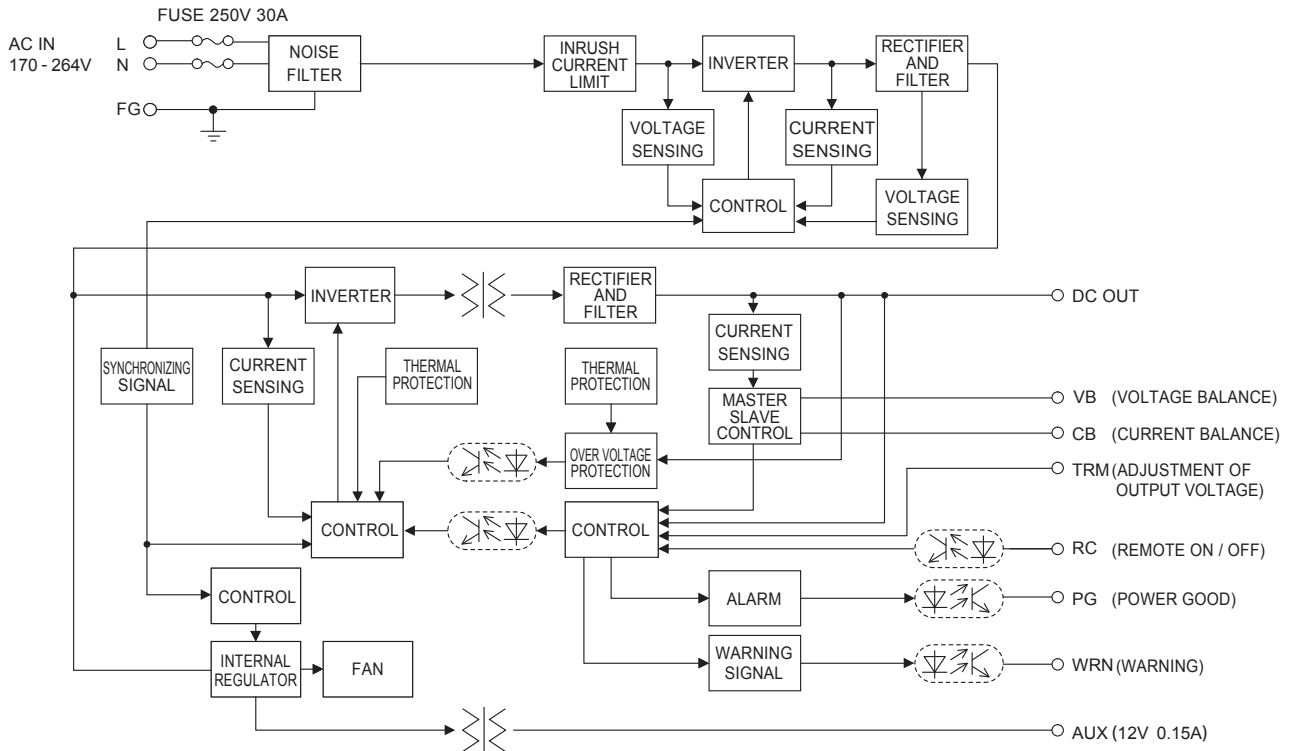
MODEL	FETA2500BA-36	FETA2500BA-48
MAX OUTPUT WATTAGE[W]	1980	2496
DC OUTPUT	36V 55A	48V 52A

SPECIFICATIONS

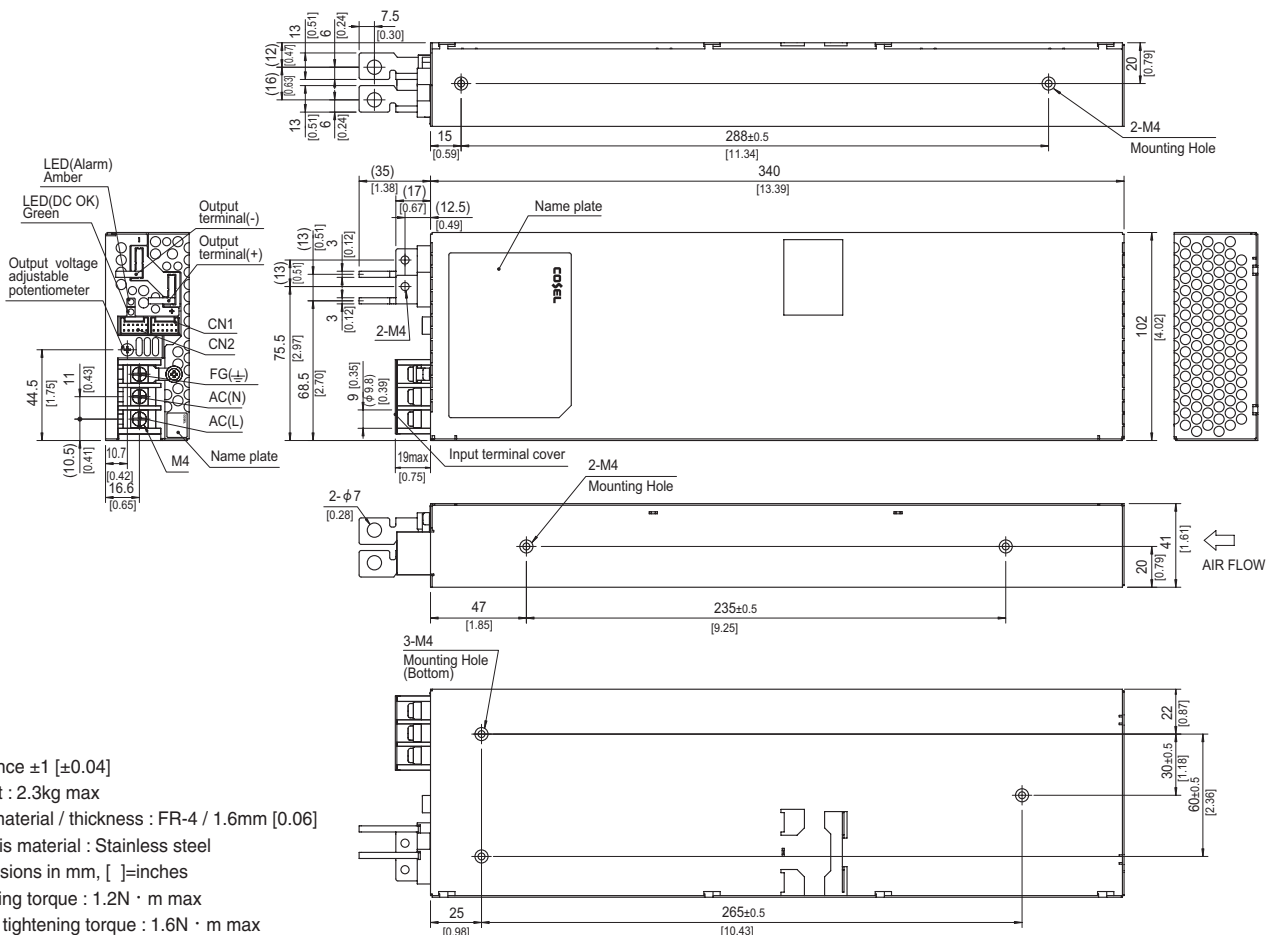
	MODEL	FETA2500BA-36	FETA2500BA-48	
INPUT	VOLTAGE[V]	AC170 - 264 1 φ (Output derating is required at AC170V - 180V. Refer to Derating)		
	CURRENT[A]	ACIN 200V	11.3typ	
	FREQUENCY[Hz]		50 / 60 (47 - 63)	
	EFFICIENCY[%]	ACIN 230V	80typ (Io=10%)	83typ (Io=10%)
			87typ (Io=20%)	89typ (Io=20%)
			91typ (Io=50%)	92.5typ (Io=50%)
			90typ (Io=100%)	91.5typ (Io=100%)
POWER FACTOR	ACIN 230V	0.98typ (Io=100%)		
INRUSH CURRENT[A]	ACIN 200V	*2 20max / 60max (Primary inrush current /Secondary inrush current) (More than 10 sec. to re-start)		
LEAKAGE CURRENT[mA]		0.85max (ACIN 240V 60Hz, Io=100%, According to IEC62368-1)		
OUTPUT	VOLTAGE[V]	36	48	
	CURRENT[A]	ACIN 170V-180V	Output derating is required at ACIN 180V or less (refer to Derating)	
		ACIN 180V-264V	55	52
	LINE REGULATION[mV]		144max	192max
	LOAD REGULATION[mV]		360max	480max
	RIPPLE[mVp-p]	0 to +50°C	*3 300max	360max
		-10 to 0°C	*3 360max	480max
	RIPPLE NOISE[mVp-p]	0 to +50°C	*3 360max	480max
		-10 to 0°C	*3 480max	600max
	TEMPERATURE REGULATION[mV]	0 to +50°C	360max	480max
		-10 to +50°C	440max	600max
	DRIFT[mV]	*4	144max	192max
	START-UP TIME[s]		1.7max (ACIN 200V, Io=100%)	
	HOLD-UP TIME[ms]	ACIN 200V	10typ (Io=100%)	
20typ (Io=50%)				
OUTPUT VOLTAGE ADJUSTMENT RANGE[V]	*5	28.80 - 39.60	38.40 - 52.80 *6	
OUTPUT VOLTAGE SETTING[V]		36.00 - 37.44	48.00 - 49.92	
PROTECTION CIRCUIT AND OTHERS	OVERCURRENT PROTECTION	Activate over 105% - 120% of rated current and recovers automatically. (Output voltage shuts down when the output voltage continuously drops due to overcurrent protection.) *7		
	OVERVOLTAGE PROTECTION[V]	*7 42.00 - 45.00	56.00 - 60.00	
	DC_OK LAMP	LED (Green)		
	ALARM LAMP	LED (Amber)		
	REMOTE ON/OFF	Provided		
ISOLATION	INPUT-OUTPUT·AUX·RC·WRN·PG	AC3,000V 1minute, Cutoff current = 25mA, DC500V 50MΩ min (At room temperature)		
	INPUT-FG	AC2,000V 1minute, Cutoff current = 25mA, DC500V 50MΩ min (At room temperature)		
	OUTPUT·AUX·RC·WRN·PG-FG	AC500V 1minute, Cutoff current = 100mA, DC500V 50MΩ min (At room temperature)		
	OUTPUT-AUX·RC·WRN·PG	AC100V 1minute, Cutoff current = 100mA, DC100V 50MΩ min (At room temperature)		
ENVIRONMENT	OPERATING TEMP.,HUMID.AND ALTITUDE	-10 to +70°C (Output derating is required), 20 - 90%RH (Non condensing), 3,000m (10,000 feet) max		
	STORAGE TEMP.,HUMID.AND ALTITUDE	-20 to +85°C, 20 - 90%RH (Non condensing), 9,000m (30,000 feet) max		
	VIBRATION	10 - 55Hz, 19.6m/s² (2G), 3minutes period, 60minutes each along X, Y and Z axis		
	IMPACT	196.1m/s² (20G), 11ms, once each along X, Y and Z axis		
SAFETY AND NOISE REGULATIONS	AGENCY APPROVALS	UL62368-1, C-UL (CSA62368-1), EN62368-1		
	CONDUCTED NOISE	Complies with FCC Part 15-A, CISPR32-A, EN55032-A, VCCI-A		
	HARMONIC ATTENUATOR	Complies with IEC61000-3-2 Class A *8		
OTHERS	CASE SIZE/WEIGHT	*9 102 X 41 X 340mm [4.02 X 1.61 X 13.39 inches] (W X H X D) / 2.3kg max		
	COOLING METHOD	Forced cooling (internal fan)		

*1 AUX output power is not included.
 *2 The current of input surge to a built-in noise filter (0.2ms or less) is excluded.
 *3 Measured by 500MHz oscilloscope.
 Ripple and ripple noise is measured on measuring board with capacitor of 22μF within 150mm from the output terminal.
 *4 Drift is the change in DC output for an eight hour period after a half-hour warm-up at 25°C, with the input voltage held constant at the rated input/output.
 *5 Can't be used above the rated output current and the rated output power.
 *6 When the output voltage is adjusted to higher than 49.92V and the load factor is over 70% of the rated current, if the load current changes quickly (< 200msec), the output voltage drops approximately 5V below the setting voltage.
 *7 Output voltage recovers from protection by shutting down the input voltage and waiting more than 10 seconds then turning on AC input again, or turning off the output voltage by remote control.
 *8 Please contact us about another class.
 *9 Case size contains neither the terminal blocks, connector and screw.
 * To meet the specifications, do not operate over-loaded condition.
 * A sound may occur from power supply at peak loading.

Block diagram



External view



- * Tolerance ± 1 [± 0.04]
- * Weight : 2.3kg max
- * PCB material / thickness : FR-4 / 1.6mm [0.06]
- * Chassis material : Stainless steel
- * Dimensions in mm, []=inches
- * Mounting torque : 1.2N · m max
- * Screw tightening torque : 1.6N · m max
- * Please connect safety ground to FG terminal on the unit.

FETA3000BA

FET A 3000 B A -□□ -□

① ② ③ ④ ⑤ ⑥ ⑦



Example recommended EMI/EMC filter
NAC-20-472



High voltage pulse noise type : NAP series
Low leakage current type : NAM series
* A higher current rating EMI/EMC filter may be recommended in view of the other devices that could be connected in parallel with the power supply.

- ① Series name
 - ② Single output
 - ③ Output wattage
 - ④ 200/230V input
 - ⑤ Version
 - ⑥ Output voltage
 - ⑦ Optional
- R: with Remote ON/OFF
Positive logic control

*Make sure necessary tests will be carried out on your end equipment with the power supply installed in accordance with any required EMC/EMI regulations.

MODEL	FETA3000BA-48
MAX OUTPUT WATTAGE[W]	*1 2976
DC OUTPUT	48V 62A

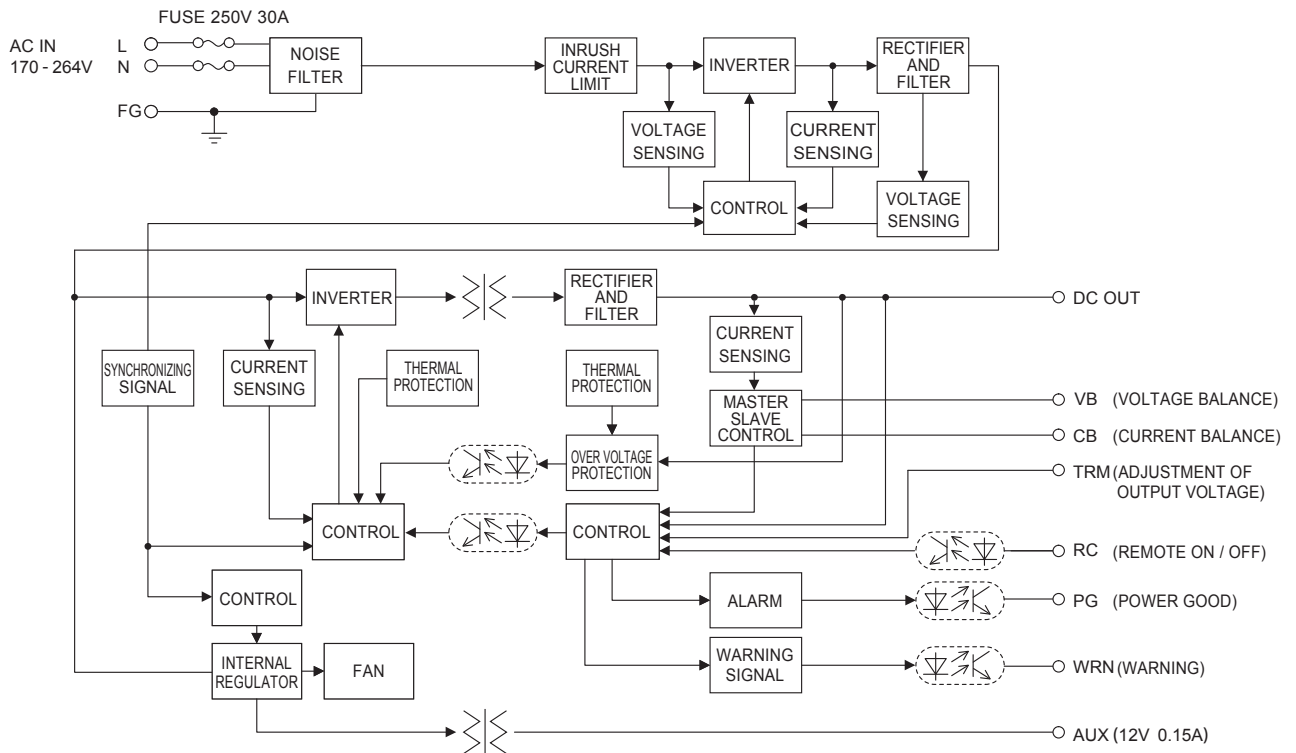
SPECIFICATIONS

	MODEL	FETA3000BA-48	
INPUT	VOLTAGE[V]	AC170 - 264 1 φ (Output derating is required at AC170V - 180V. Refer to Derating)	
	CURRENT[A]	ACIN 200V 16.6typ	
	FREQUENCY[Hz]	50 / 60 (47 - 63)	
	EFFICIENCY[%]	ACIN 230V	82typ (Io=10%)
			90typ (Io=20%)
			93typ (Io=50%)
POWER FACTOR	ACIN 230V 0.98typ (Io=100%)		
INRUSH CURRENT[A]	ACIN 200V *2 20max / 80max (Primary inrush current /Secondary inrush current) (More than 10 sec. to re-start)		
LEAKAGE CURRENT[mA]	0.85max (ACIN 240V 60Hz, Io=100%, According to IEC62368-1)		
OUTPUT	VOLTAGE[V]	48	
	CURRENT[A]	ACIN 170V-180V	Output derating is required at ACIN 180V or less (refer to Derating)
		ACIN 180V-264V	62
	LINE REGULATION[mV]	192max	
	LOAD REGULATION[mV]	480max	
	RIPPLE[mVp-p]	0 to +50°C *3	360max (Vo=15 - 52.8[V]) *4
		-10 to 0°C *3	480max (Vo=15 - 52.8[V]) *4
	RIPPLE NOISE[mVp-p]	0 to +50°C *3	600max (Vo=15 - 52.8[V]) *4
		-10 to 0°C *3	720max (Vo=15 - 52.8[V]) *4
	TEMPERATURE REGULATION[mV]	0 to +50°C	480max
		-10 to +50°C	600max
	DRIFT[mV]	*4	192max
	START-UP TIME[s]	*5	1.7max (ACIN 200V, Io=100%)
HOLD-UP TIME[ms]	ACIN 200V	10typ (Io=100%)	
		20typ (Io=50%)	
OUTPUT VOLTAGE ADJUSTMENT RANGE[V]	*6	38.40 - 52.80	
OUTPUT VOLTAGE SETTING[V]		48.00 - 49.00	
PROTECTION CIRCUIT AND OTHERS	OVERCURRENT PROTECTION	Activate over 105% - 120% of rated current and recovers automatically. (Output voltage shuts down when the output voltage continuously drops due to overcurrent protection.) *7	
	OVERVOLTAGE PROTECTION[V]	*7 56.00 - 60.00	
	DC_OK LAMP	LED (Green)	
	ALARM LAMP	LED (Amber)	
	REMOTE ON/OFF	Provided	
ISOLATION	INPUT-OUTPUT·AUX·RC·WRN·PG	AC3,000V 1minute, Cutoff current = 25mA, DC500V 50MΩ min (At room temperature)	
	INPUT-FG	AC2,000V 1minute, Cutoff current = 25mA, DC500V 50MΩ min (At room temperature)	
	OUTPUT·AUX·RC·WRN·PG-FG	AC500V 1minute, Cutoff current = 100mA, DC500V 50MΩ min (At room temperature)	
	OUTPUT-AUX·RC·WRN·PG	AC100V 1minute, Cutoff current = 100mA, DC100V 50MΩ min (At room temperature)	
ENVIRONMENT	OPERATING TEMP.,HUMID.AND ALTITUDE	-10 to +70°C (Output derating is required), 20 - 90%RH (Non condensing), 3,000m (10,000 feet) max	
	STORAGE TEMP.,HUMID.AND ALTITUDE	-20 to +85°C, 20 - 90%RH (Non condensing), 9,000m (30,000 feet) max	
	VIBRATION	10 - 55Hz, 19.6m/s ² (2G), 3minutes period, 60minutes each along X, Y and Z axis	
	IMPACT	196.1m/s ² (20G), 11ms, once each along X, Y and Z axis	
SAFETY AND NOISE REGULATIONS	AGENCY APPROVALS	UL62368-1, C-UL (CSA62368-1), EN62368-1	
	CONDUCTED NOISE	Complies with FCC Part 15-A, CISPR32-A, EN55032-A, VCCI-A	
	HARMONIC ATTENUATOR	Complies with IEC61000-3-2 Class A *8	
OTHERS	CASE SIZE/WEIGHT	*9 102 X 41 X 340mm [4.02 X 1.61 X 13.39 inches] (W X H X D) / 2.3kg max	
	COOLING METHOD	Forced cooling (internal fan)	

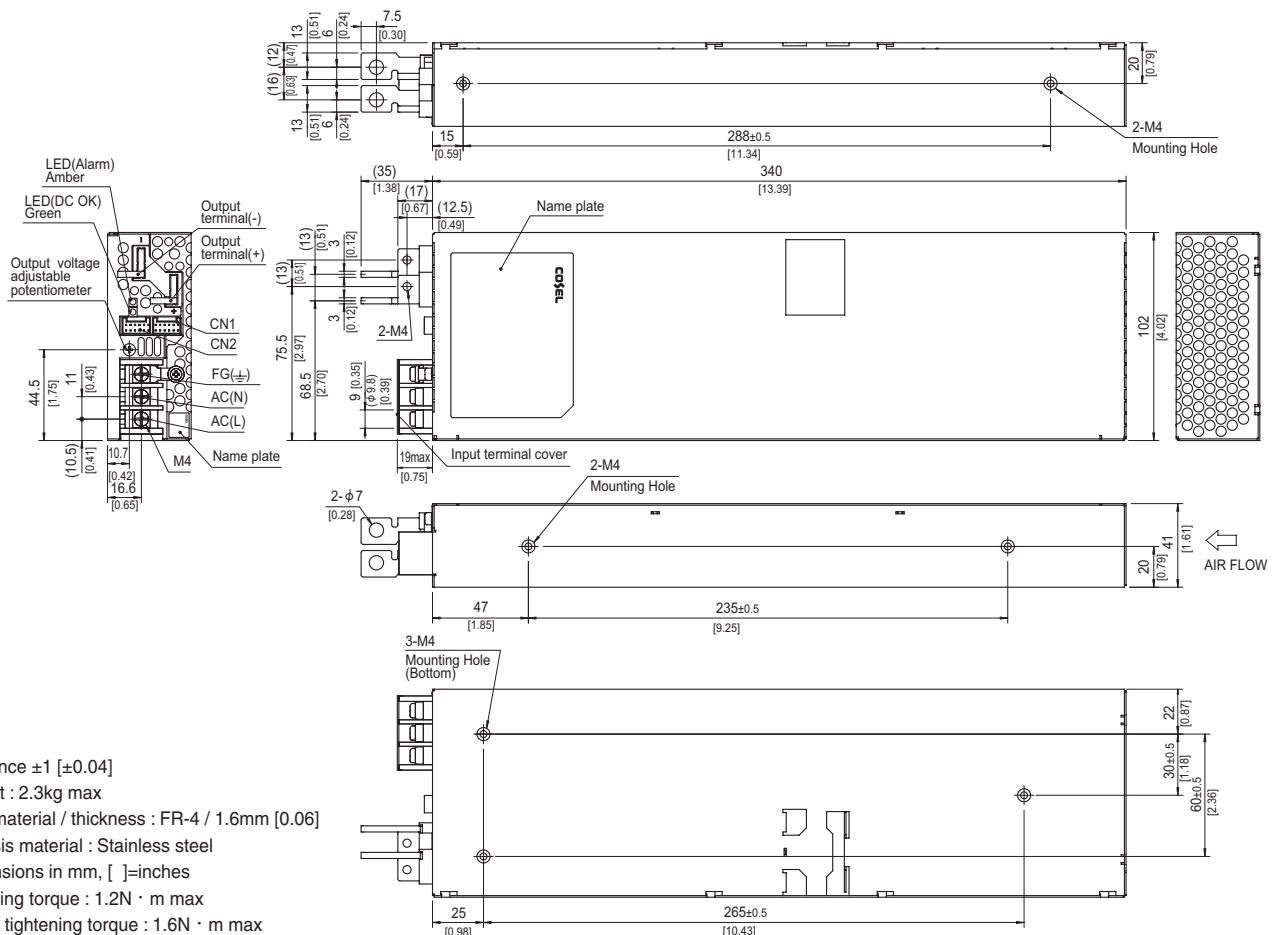
*1 AUX output power is not included.
 *2 The current of input surge to a built-in noise filter (0.2ms or less) is excluded.
 *3 Measured by 500MHz oscilloscope.
 Ripple and ripple noise is measured on measuring board with capacitor of 22μF within 150mm from the output terminal.
 *4 The output voltage should not be adjusted to 15V or less because the ripple and ripple noise would be out of specs and the unit would make the audible noise.
 *5 Drift is the change in DC output for an eight hour period after a half-hour warm-up at 25°C, with the input voltage held constant at the rated input/output.
 *6 Can't be used above the rated output current and the rated output power.
 *7 Output voltage recovers from protection by shutting down the input voltage and waiting

more than 10 seconds then turning on AC input again, or turning off the output voltage by remote control.
 *8 Please contact us about another class.
 *9 Case size contains neither the terminal blocks, connector and screw.
 * To meet the specifications, do not operate over-loaded condition.
 * A sound may occur from power supply at peak loading.

Block diagram



External view

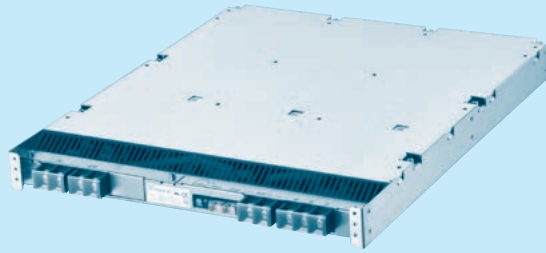


- * Tolerance ± 1 [± 0.04]
- * Weight : 2.3kg max
- * PCB material / thickness : FR-4 / 1.6mm [0.06]
- * Chassis material : Stainless steel
- * Dimensions in mm, []=inches
- * Mounting torque : 1.2N · m max
- * Screw tightening torque : 1.6N · m max
- * Please connect safety ground to FG terminal on the unit.

FETA7000T

FET A 7000 T -□□

① ② ③ ④ ⑤



Example recommended EMI/EMC filter
TAC-30-683



*A higher current rating EMI/EMC filter may be recommended in view of the other devices that could be connected in parallel with the power supply.

- ① Series name
- ② Single output
- ③ Output wattage
- ④ Triple input phase
- ⑤ Output voltage

*Make sure necessary tests will be carried out on your end equipment with the power supply installed in accordance with any required EMC/EMI regulations.

MODEL	FETA7000T-48	FETA7000T-144
MAX OUTPUT WATTAGE[W]	*1 7113	7488
DC OUTPUT	48V 148.2A	144V 52A

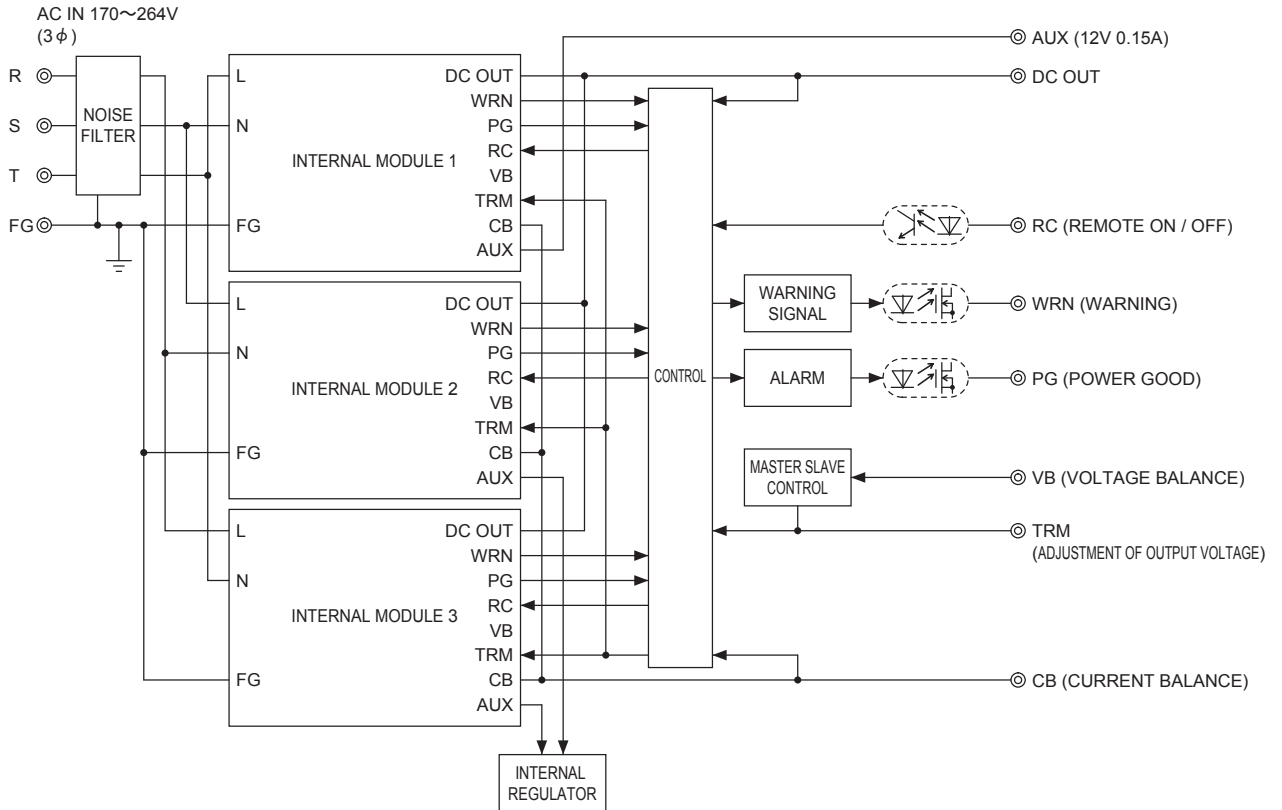
SPECIFICATIONS

	MODEL	FETA7000T-48	FETA7000T-144	
INPUT	VOLTAGE[V]	AC170 - 264 3 φ (Output derating is required at AC170V - 180V. Refer to Derating)		
	CURRENT[A]	ACIN 200V	22.7typ	
	FREQUENCY[Hz]		50 / 60 (47 - 63)	
	EFFICIENCY[%]	ACIN 230V	90.5% (Io=100%)	
	POWER FACTOR	ACIN 230V	0.98typ (Io=100%)	
	INRUSH CURRENT[A]	ACIN 200V *2	30max / 60max (Primary inrush current /Secondary inrush current) (More than 10 sec. to re-start)	
	LEAKAGE CURRENT[ma]		3.0max (ACIN 240V 60Hz, Io=100%, According to IEC62368-1)	
OUTPUT	VOLTAGE[V]	48	144	
	CURRENT[A]	ACIN 170V-180V ACIN 180V-264V	Output derating is required at ACIN 180V or less (refer to Derating)	
	LINE REGULATION[mV]		192max	360max
	LOAD REGULATION[mV]		960max	1800max
	RIPPLE[mVp-p]	0 to +40°C *3	360max	720max
		-10 to 0°C *3	480max	960max
	RIPPLE NOISE[mVp-p]	0 to +40°C *3	480max	960max
		-10 to 0°C *3	600max	1200max
	TEMPERATURE REGULATION[mV]	0 to +40°C	480max	2200max
		-10 to +40°C	600max	2800max
	DRIFT[mV]	*4	192max	384max
	START-UP TIME[s]		1.7max (ACIN 200V, Io=100%)	
	HOLD-UP TIME[ms]	ACIN 200V	10typ (Io=100%)	
			20typ (Io=50%)	
OUTPUT VOLTAGE ADJUSTMENT RANGE[V] *5		28.8 - 52.8 *6	86.4 - 158.4 *7	
OUTPUT VOLTAGE SETTING[V]		47 - 49	141 - 147	
PROTECTION CIRCUIT AND OTHERS	OVERCURRENT PROTECTION	Works over 105% of rating (Recovers automatically, Hiccup overcurrent) (Output voltage shuts down when the output voltage continuously drops due to overcurrent protection.) *8		
	OVERVOLTAGE PROTECTION[V] *8	56 - 60	168 - 180	
	DC_OK LAMP	LED (Green)		
	ALARM LAMP	LED (Amber)		
REMOTE ON/OFF	Provided			
ISOLATION	INPUT-OUTPUT-AUX-RC-WRN-PG	AC3,000V 1minute, Cutoff current = 100mA, DC500V 50MΩ min (At room temperature)		
	INPUT-FG	AC2,000V 1minute, Cutoff current = 100mA, DC500V 50MΩ min (At room temperature)		
	OUTPUT-AUX-RC-WRN-PG-FG	AC500V 1minute, Cutoff current = 100mA, DC500V 50MΩ min (At room temperature)		
	OUTPUT-AUX-RC-WRN-PG	AC100V 1minute, Cutoff current = 100mA, DC100V 50MΩ min (At room temperature)		
ENVIRONMENT	OPERATING TEMP., HUMID. AND ALTITUDE	-10 to +60°C (Output derating is required), 20 - 90%RH (Non condensing), 3,000m (10,000 feet) max		
	STORAGE TEMP., HUMID. AND ALTITUDE	-20 to +75°C, 20 - 90%RH (Non condensing), 9,000m (30,000 feet) max		
	VIBRATION	10 - 55Hz, 19.6m/s ² (2G), 3minutes period, 60minutes each along X, Y and Z axis		
	IMPACT	196.1m/s ² (20G), 11ms, once each along X, Y and Z axis		
SAFETY AND NOISE REGULATIONS	AGENCY APPROVALS	UL62368-1, C-UL (CSA62368-1), EN62368-1		
	CONDUCTED NOISE	Complies with FCC Part15-A, CISPR32-A, EN55032-A, VCCI-A		
	HARMONIC ATTENUATOR	Complies with IEC61000-3-12		
OTHERS	CASE SIZE/WEIGHT *9	388 X 43 X 475mm [15.28 X 1.69 X 18.70 inches] (W X H X D) / 11kg max		
	COOLING METHOD	Forced cooling (internal fan)		

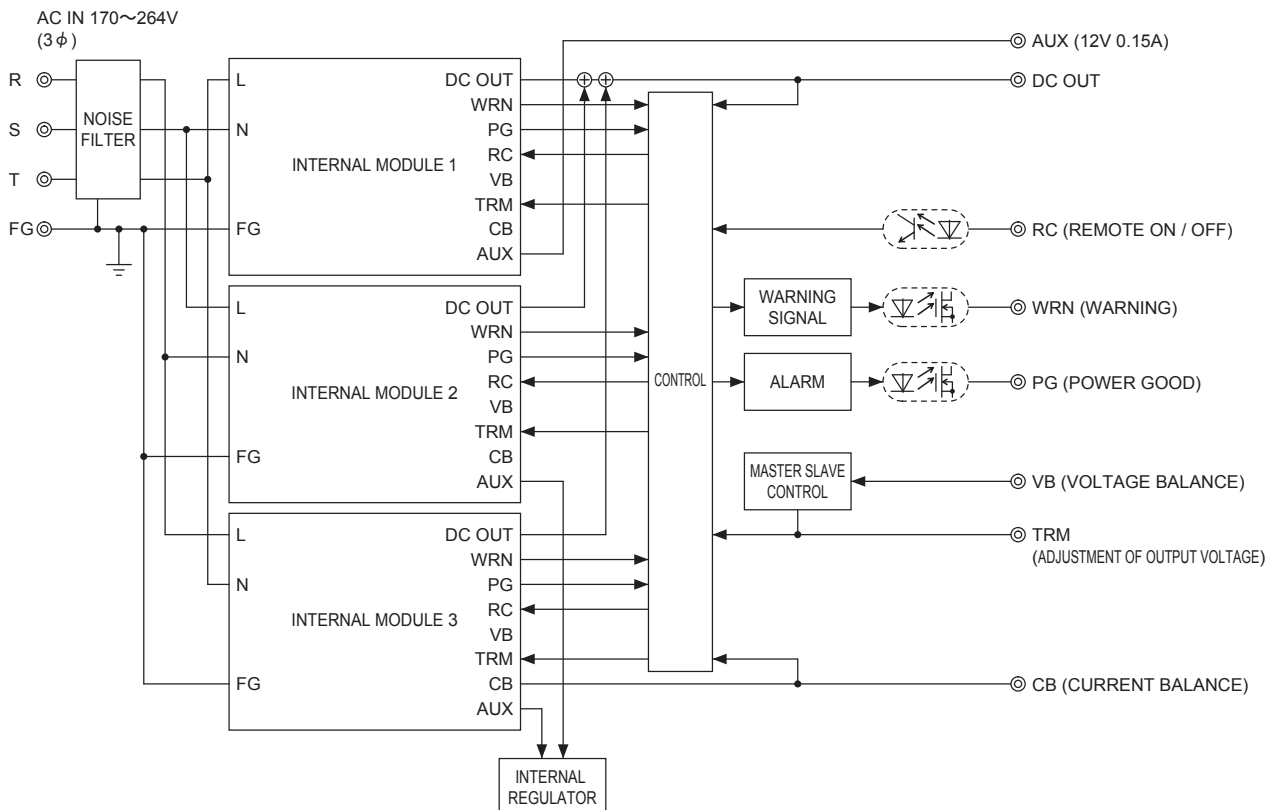
- *1 AUX output power is not included.
- *2 The current of input surge to a built-in noise filter (0.2ms or less) is excluded.
- *3 Measured by 500MHz oscilloscope.
Ripple and ripple noise is measured on measuring board with capacitor of 22μF within 150mm from the output terminal.
- *4 Drift is the change in DC output for an eight hour period after a half-hour warm-up at 25°C, with the input voltage held constant at the rated input/output.
- *5 Can't be used above the rated output current and the rated output power.
- *6 When the output voltage is adjusted to higher than 49.92V and the load factor is over 70% of the rated current, if the load current changes quickly (< 200msec), the output voltage drops approximately 5V below the setting voltage.
- *7 When the output voltage is adjusted to higher than 149.82V and the load factor is over 70% of the rated current, if the load current changes quickly (<200msec), the output voltage drops approximately 15V below the setting voltage.
- *8 Output voltage recovers from protection by shutting down the input voltage and waiting more than 10 seconds then turning on AC input again, or turning off the output voltage by remote control.
- *9 Case size contains neither the terminal blocks, connector and screw.
- * To meet the specifications, do not operate over-loaded condition.
- * A sound may occur from power supply at peak loading.

Block diagram

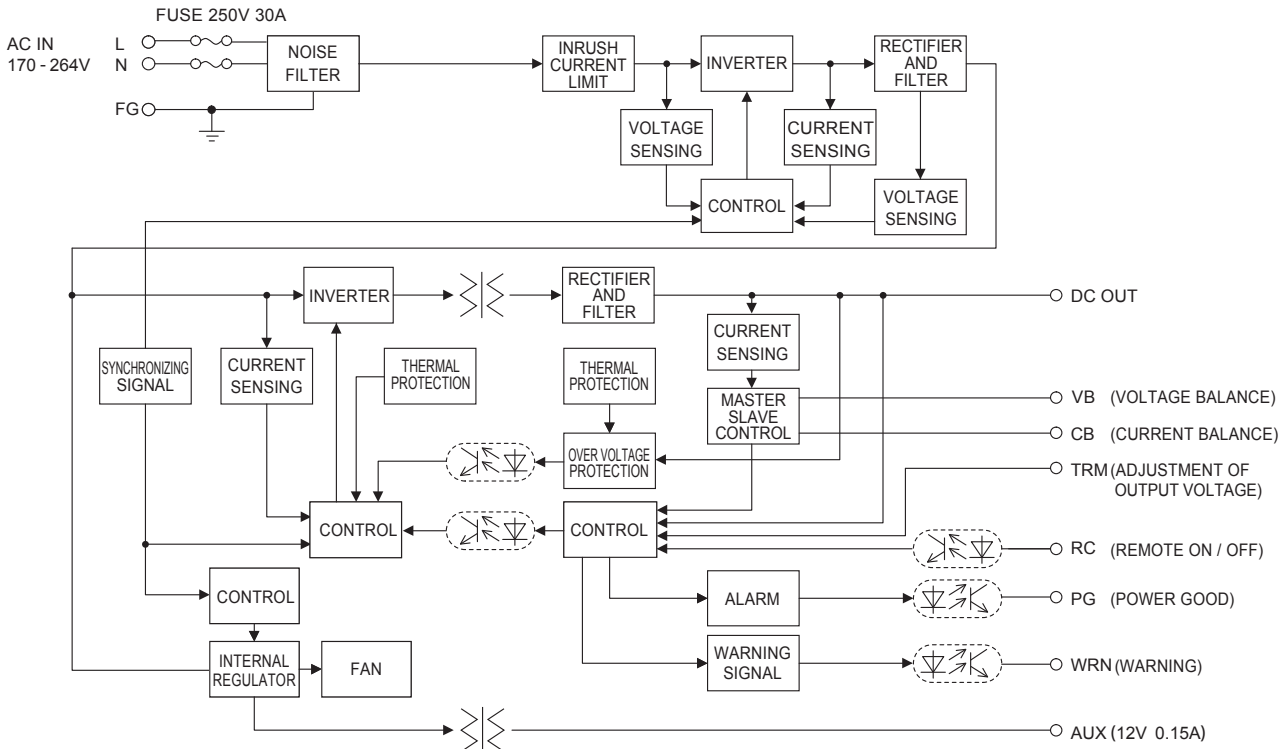
●FETA7000T-48



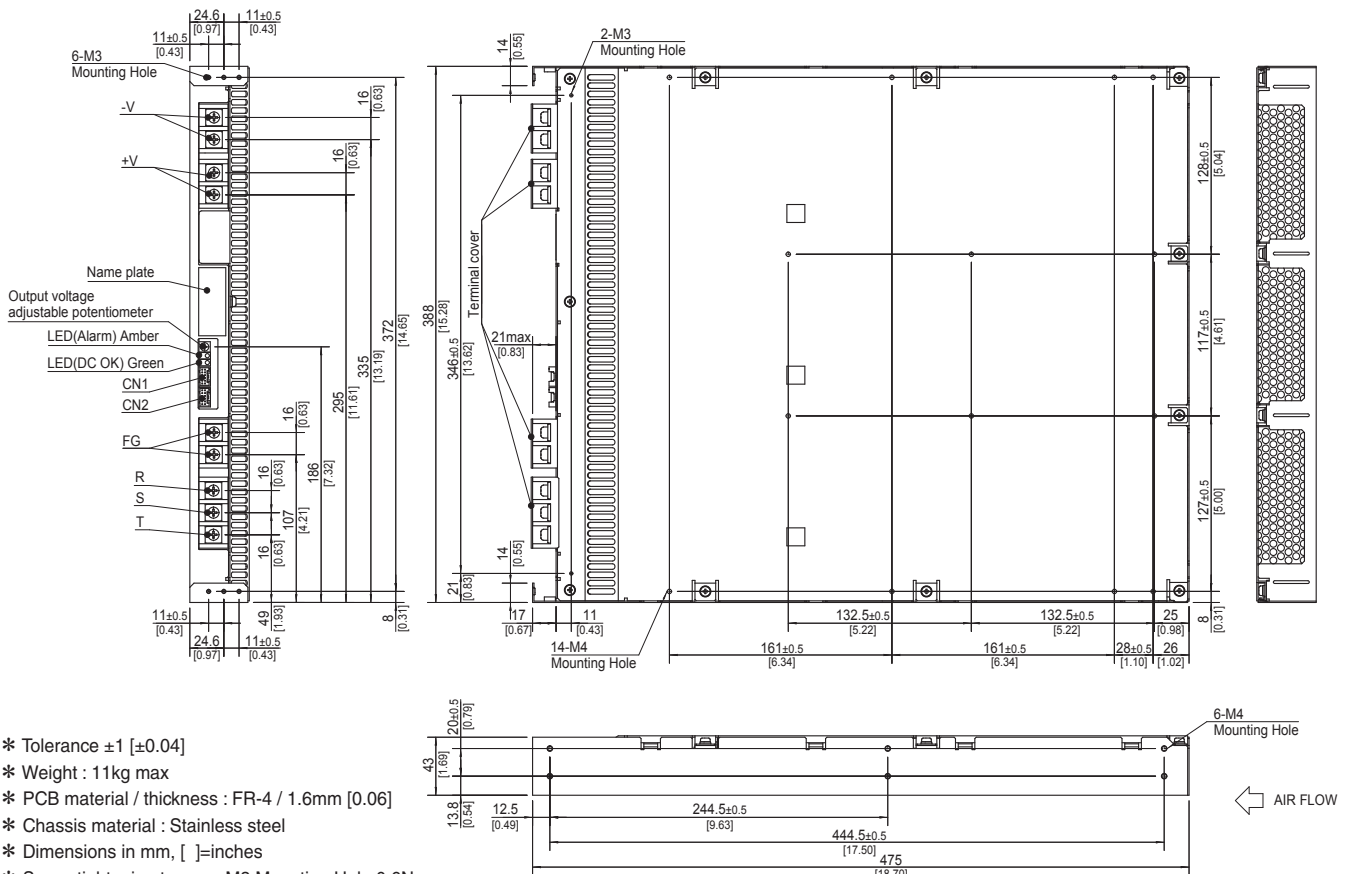
●FETA7000T-144



Block diagram of internal module



External view

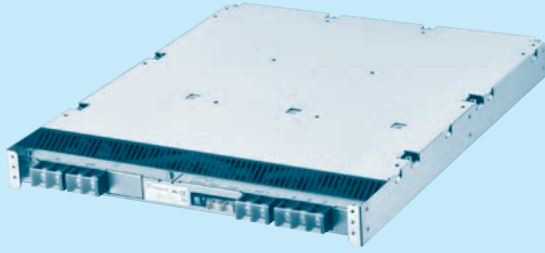


- * Tolerance ± 1 [± 0.04]
- * Weight : 11kg max
- * PCB material / thickness : FR-4 / 1.6mm [0.06]
- * Chassis material : Stainless steel
- * Dimensions in mm, []=inches
- * Screw tightening torque : M3 Mounting Hole 0.6N · m max
M4 Mounting Hole 1.2N · m max
M5 Input terminal 3.0N · m max
- * Please connect safety ground to FG terminal on the unit.

FETA7000ST

FET A 7000 ST -□□

① ② ③ ④ ⑤



- ① Series name
- ② Single output
- ③ Output wattage
- ④ 3 φ 4-Wire
- ⑤ Output voltage

*Make sure necessary tests will be carried out on your end equipment with the power supply installed in accordance with any required EMC/EMI regulations.

MODEL	FETA7000ST-48	FETA7000ST-144
MAX OUTPUT WATTAGE[W]	*1 7113	7488
DC OUTPUT	48V 148.2A	144V 52A

SPECIFICATIONS

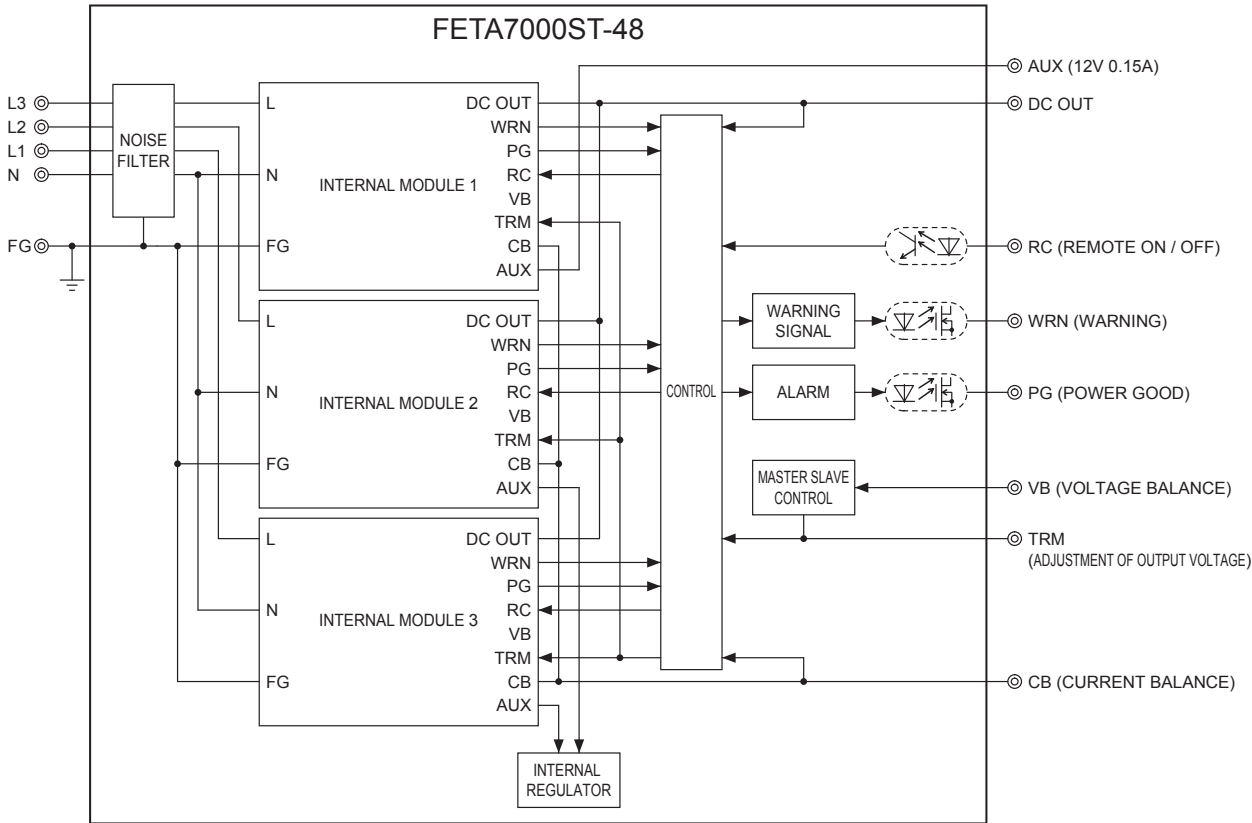
	MODEL	FETA7000ST-48	FETA7000ST-144	
INPUT	VOLTAGE[V]	AC300 - 480 3 φ 4-Wire (Output derating is required at AC300V - 320V. Refer to Derating)		
	CURRENT[A]	ACIN 400V *2	11.4typ	
	FREQUENCY[Hz]		50 / 60 (47 - 63)	
	EFFICIENCY[%]	ACIN 400V	90.5% (Io=100%)	
	POWER FACTOR	ACIN 400V	0.98typ (Io=100%)	
	INRUSH CURRENT[A]	ACIN 400V *3	40max / 80max (Primary inrush current /Secondary inrush current) (More than 10 sec. to re-start)	
	LEAKAGE CURRENT[mA]		5.0max (ACIN 480V 60Hz, Io=100%, According to IEC62368-1)	
OUTPUT	VOLTAGE[V]	48	144	
	CURRENT[A]	ACIN 300V-320V ACIN 320V-480V	Output derating is required at ACIN 320V or less (refer to Derating) 148.2	
	LINE REGULATION[mV]		192max	
	LOAD REGULATION[mV]		960max	
	RIPPLE[mVp-p]	0 to +40°C *4	360max	720max
		-10 to 0°C *4	480max	960max
	RIPPLE NOISE[mVp-p]	0 to +40°C *4	480max	960max
		-10 to 0°C *4	600max	1200max
	TEMPERATURE REGULATION[mV]	0 to +40°C	480max	2200max
		-10 to +40°C	600max	2800max
	DRIFT[mV]	*5	192max	384max
	START-UP TIME[s]		1.7max (ACIN 400V, Io=100%)	
	HOLD-UP TIME[ms]	ACIN 400V	10typ (Io=100%) 20typ (Io=50%)	
OUTPUT VOLTAGE ADJUSTMENT RANGE[V] *6		28.8 - 52.8 *7	86.4 - 158.4 *8	
OUTPUT VOLTAGE SETTING[V]		47 - 49		
PROTECTION CIRCUIT AND OTHERS	OVERCURRENT PROTECTION	Works over 105% of rating (Recovers automatically, Hiccup overcurrent) (Output voltage shuts down when the output voltage continuously drops due to overcurrent protection.) *9		
	OVERVOLTAGE PROTECTION[V] *9	56 - 60	168 - 180	
	DC_OK LAMP	LED (Green)		
	ALARM LAMP	LED (Amber)		
REMOTE ON/OFF		Provided		
ISOLATION	INPUT-OUTPUT-AUX-RC-WRN-PG	AC3,000V 1minute, Cutoff current = 100mA, DC500V 50MΩ min (At room temperature)		
	INPUT-FG	AC2,000V 1minute, Cutoff current = 100mA, DC500V 50MΩ min (At room temperature)		
	OUTPUT-AUX-RC-WRN-PG-FG	AC500V 1minute, Cutoff current = 100mA, DC500V 50MΩ min (At room temperature)		
	OUTPUT-AUX-RC-WRN-PG	AC100V 1minute, Cutoff current = 100mA, DC100V 50MΩ min (At room temperature)		
ENVIRONMENT	OPERATING TEMP., HUMID. AND ALTITUDE	-10 to +60°C (Output derating is required), 20 - 90%RH (Non condensing), 3,000m (10,000 feet) max		
	STORAGE TEMP., HUMID. AND ALTITUDE	-20 to +75°C, 20 - 90%RH (Non condensing), 9,000m (30,000 feet) max		
	VIBRATION	10 - 55Hz, 19.6m/s ² (2G), 3minutes period, 60minutes each along X, Y and Z axis		
SAFETY AND NOISE REGULATIONS	IMPACT	196.1m/s ² (20G), 11ms, once each along X, Y and Z axis		
	AGENCY APPROVALS	UL62368-1, C-UL (CSA62368-1), EN62368-1		
	CONDUCTED NOISE	Complies with FCC Part15-A, CISPR32-A, EN55032-A, VCCI-A with an external EMI/EMC filter. (refer to Instruction manual)		
OTHERS	HARMONIC ATTENUATOR	Complies with IEC61000-3-2 Class A *10		
	CASE SIZE/WEIGHT *11	388 X 43 X 475mm [15.28 X 1.69 X 18.70 inches] (W X H X D) / 11kg max		
	COOLING METHOD	Forced cooling (internal fan)		

- *1 AUX output power is not included.
- *2 The current flowing through the neutral line increases when AC input voltage is over AC456V 3 φ 4-Wire. The flowing current will vary according to the input voltage and the load current. The maximum flowing current will be 18A.
- *3 The current of input surge to a built-in noise filter (0.2ms or less) is excluded.
- *4 Measured by 500MHz oscilloscope. Ripple and ripple noise is measured on measuring board with capacitor of 22μF within 150mm from the output terminal.
- *5 Drift is the change in DC output for an eight hour period after a half-hour warm-up at 25°C, with the input voltage held constant at the rated input/output.
- *6 Can't be used above the rated output current and the rated output power.
- *7 When the output voltage is adjusted to higher than 49.92V and the load factor is over 70% of the rated current, if the load current changes quickly (< 200msec), the output voltage drops approximately 5V below the setting voltage.
- *8 When the output voltage is adjusted to higher than 149.82V and the load factor is over 70% of the rated current, if the load current changes quickly (< 200msec), the output voltage drops approximately 15V below the setting voltage.
- *9 Output voltage recovers from protection by shutting down the input voltage and waiting more than 10 seconds then turning on AC input again, or turning off the output voltage by remote control.
- *10 Please contact us about another class.
- *11 Case size contains neither the terminal blocks, connector and screw. To meet the specifications, do not operate over-loaded condition. A sound may occur from power supply at peak loading.

Block diagram

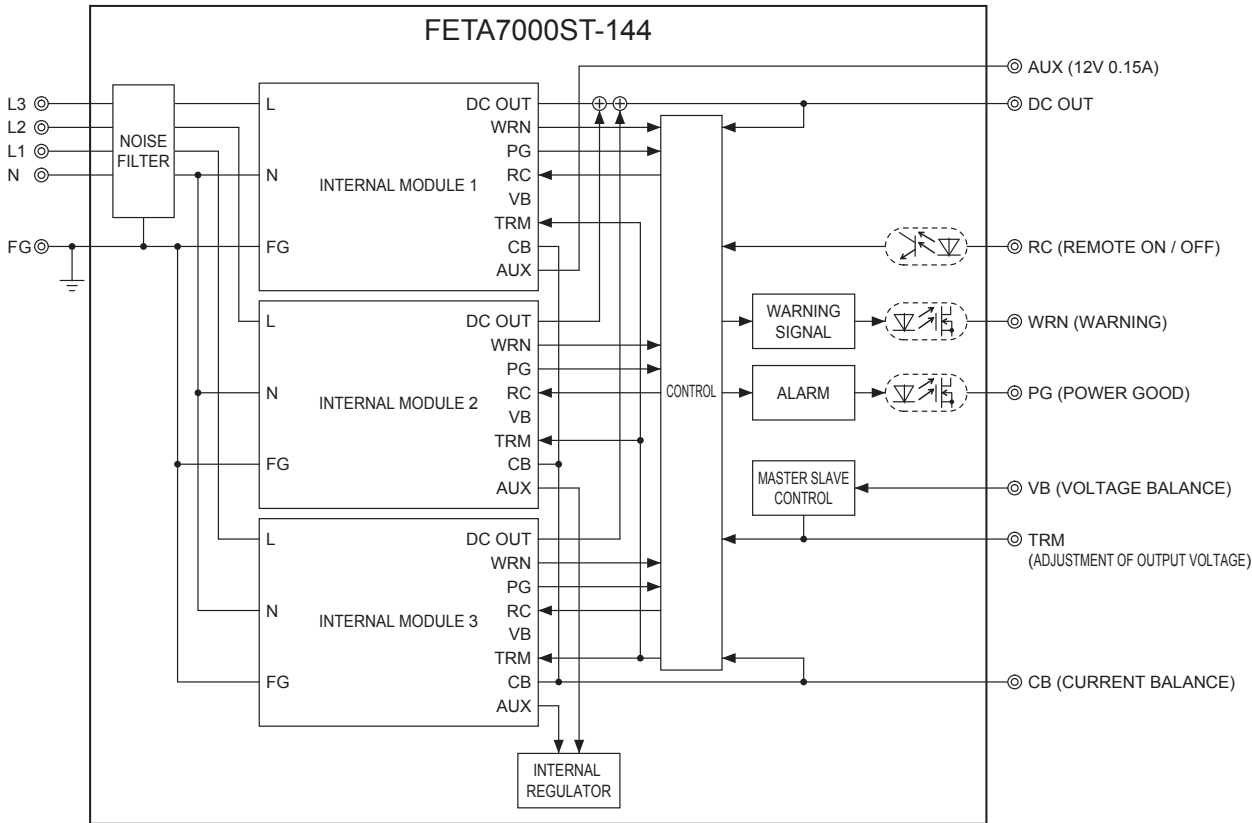
●FETA7000ST-48

AC IN 300~480V (3 φ 4-Wire)

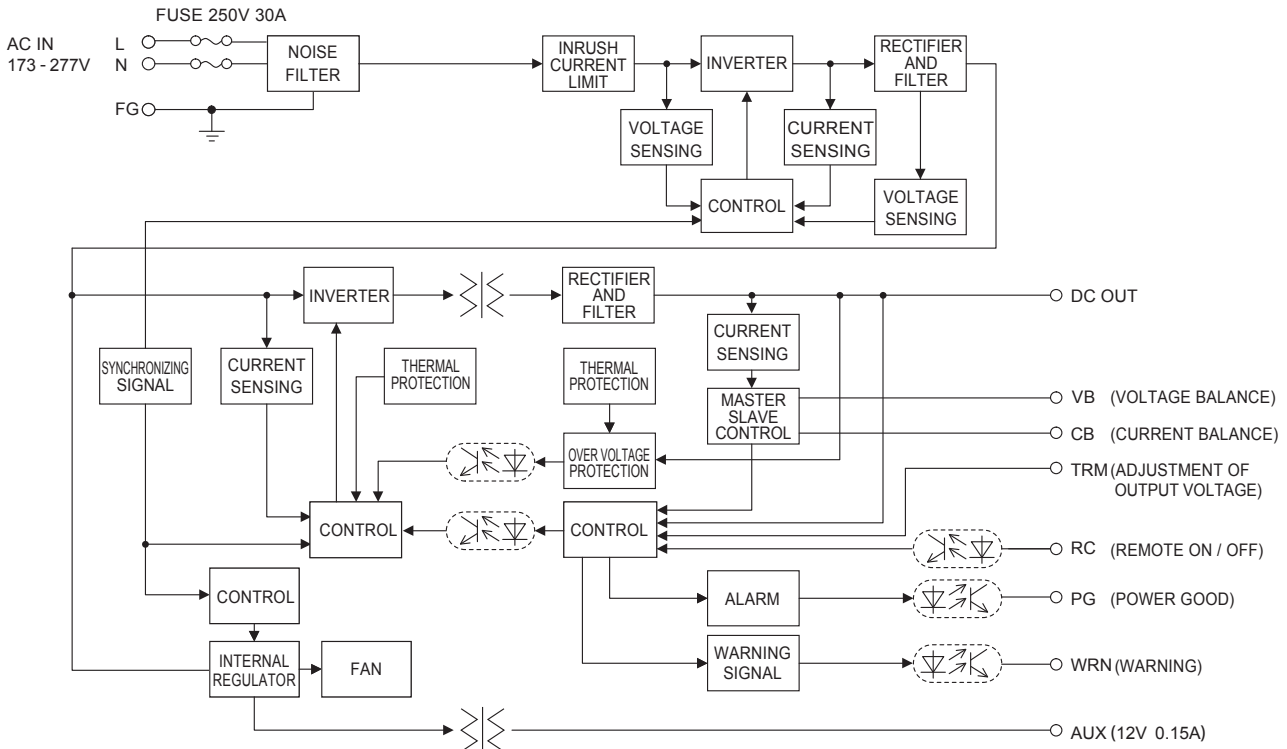


●FETA7000ST-144

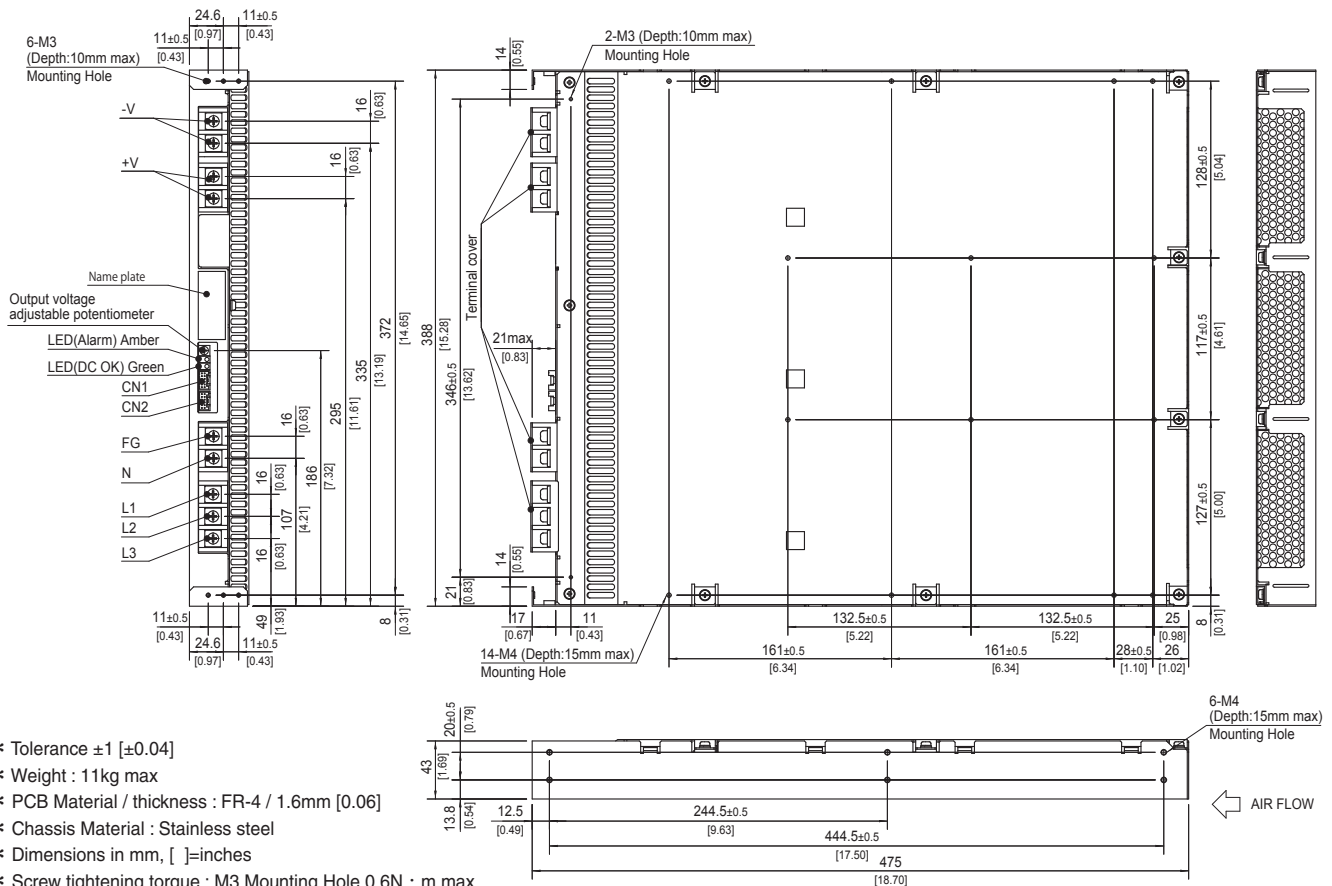
AC IN 300~480V (3 φ 4-Wire)



Block diagram of internal module



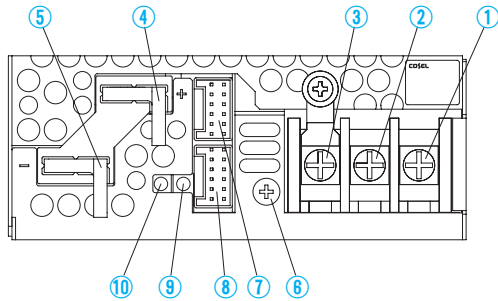
External view



- * Tolerance ± 1 [± 0.04]
- * Weight : 11kg max
- * PCB Material / thickness : FR-4 / 1.6mm [0.06]
- * Chassis Material : Stainless steel
- * Dimensions in mm, []=inches
- * Screw tightening torque : M3 Mounting Hole 0.6N · m max
M4 Mounting Hole 1.2N · m max
M5 Terminal block 3.0N · m max
- * Please connect safety ground to FG terminal on the unit.

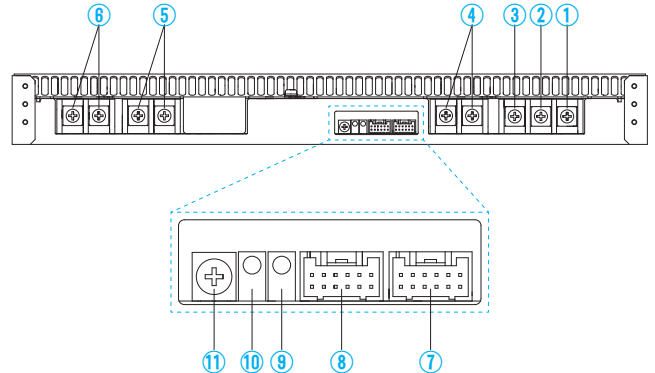
Terminal Blocks

FETA2500BA, 3000BA



- ①AC (L) } Input Terminals AC170 - 264V 1 φ 47 - 63Hz
- ②AC (N) } (M4)
- ③Frame ground (M4 ±)
- ④+Output
- ⑤-Output
- ⑥Output voltage adjustable potentiometer
- ⑦CN1 } Connectors
- ⑧CN2 }
- ⑨LED for output voltage confirmation (DC_OK)
- ⑩LED for fault condition detection (ALARM)

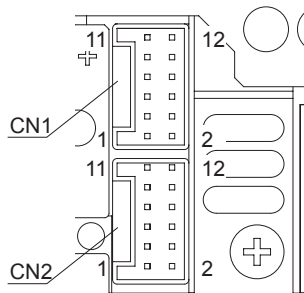
FETA7000T



- ①AC (T) } Input Terminals AC170 - 264V 3 φ 47 - 63Hz
- ②AC (S) } (M5)
- ③AC (R) }
- ④Frame ground (M5 ±)
- ⑤+Output
- ⑥-Output
- ⑦CN2 } Connectors
- ⑧CN1 }
- ⑨LED for output voltage confirmation (DC_OK)
- ⑩LED for fault condition detection (ALARM)
- ⑪Output voltage adjustable potentiometer

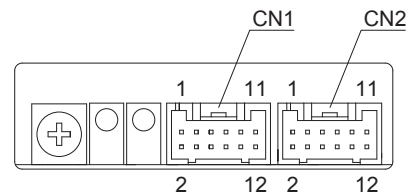
FETA2500BA, 3000BA

Pin Configuration and Functions of CN1, CN2



FETA7000T

Pin Configuration and Functions of CN1, CN2



Pin No.	Pin Name	Function
1	AUXG	Auxiliary power output (GND)
2	AUX	Auxiliary power output
3	WRNG	Warning signal (GND)
4	WRN	Warning signal
5	PGG	Alarm signal (GND)
6	PG	Alarm signal
7	RCG	Remote ON/OFF (GND)
8	RC	Remote ON/OFF
9	COM	Signal ground
10	TRM	Adjustment of output voltage
11	VB	Voltage Balance
12	CB	Current Balance

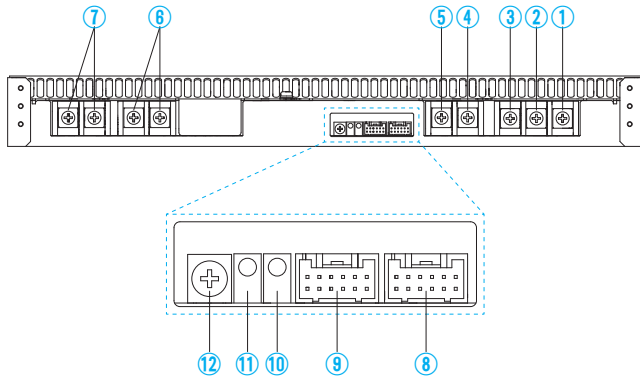
Pin No.	Pin Name	Function
1	AUXG	Auxiliary power output (GND)
2	AUX	Auxiliary power output
3	WRNG	Warning signal (GND)
4	WRN	Warning signal
5	PGG	Alarm signal (GND)
6	PG	Alarm signal
7	RCG	Remote ON/OFF (GND)
8	RC	Remote ON/OFF
9	COM	Signal ground
10	TRM	Adjustment of output voltage
11	VB	Voltage Balance
12	CB	Current Balance

Connector	Housing	Terminal	Mfr.
CN1	S12B-PUDSS-1	PUDP-12V-S	Reel : SPUD-001T-P0.5 or SPUD-002T-P0.5
CN2			

Connector	Housing	Terminal	Mfr.
CN1	S12B-PUDSS-1	PUDP-12V-S	Reel : SPUD-001T-P0.5 or SPUD-002T-P0.5
CN2			

Terminal Blocks

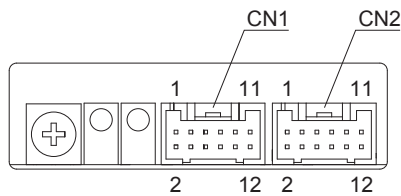
FETA7000ST



- ① AC (L3)
 - ② AC (L2)
 - ③ AC (L1)
 - ④ AC (N)
 - ⑤ Frame ground (M5 \perp)
 - ⑥ +Output
 - ⑦ -Output
 - ⑧ CN2
 - ⑨ CN1
 - ⑩ LED for output voltage confirmation (DC_OK)
 - ⑪ LED for fault condition detection (ALARM)
 - ⑫ Output voltage adjustable potentiometer
- Input Terminals AC170 - 264V 3 ϕ - 4 wire 47 - 63Hz (M5)
- Connectors

FETA7000ST

Pin Configuration and Functions of CN1, CN2



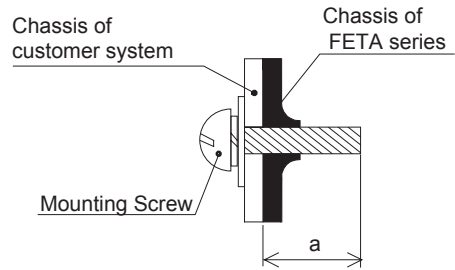
Pin No.	Pin Name	Function
1	AUXG	Auxiliary power output (GND)
2	AUX	Auxiliary power output
3	WRNG	Warning signal (GND)
4	WRN	Warning signal
5	PGG	Alarm signal (GND)
6	PG	Alarm signal
7	RCG	Remote ON/OFF (GND)
8	RC	Remote ON/OFF
9	COM	Signal ground
10	TRM	Adjustment of output voltage
11	VB	Voltage Balance
12	CB	Current Balance

Connector	Housing	Terminal	Mfr.
CN1 CN2	S12B-PUDSS-1 PUDP-12V-S	Reel : SPUD-001T-P0.5 or SPUD-002T-P0.5	J.S.T

Assembling and Installation Method

Installation Method

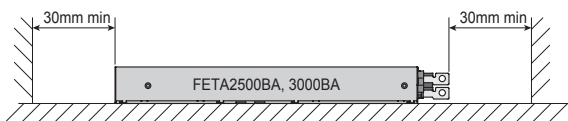
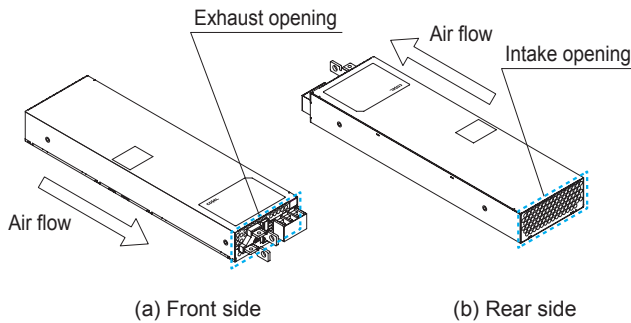
- Screw mounting requires considering the product weight for safety fixtures.
- To keep enough insulation distance between screws and internal components, length of the mounting screw should not exceed recommendation as shown in right figure.



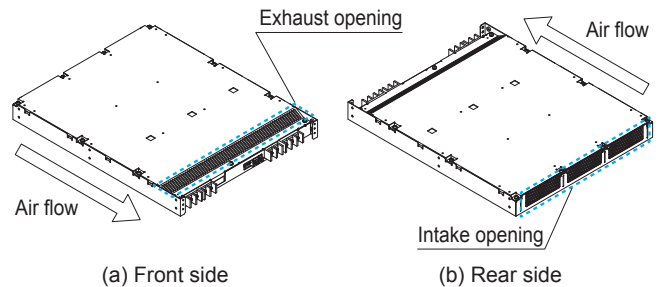
Model	Mounting hole	a (Max penetration length)
FETA2500BA, 3000BA	Bottom	6mm max
	Side	4.5mm max
FETA7000T, 7000ST	Side	15mm max

- The power supplies have a built-in forced cooling fan. Do not block ventilation at the suction side and its opposite side.
- * Reverse airflow option (-F2) is available for FETA2500BA. Refer to Instruction manual.
- If you use a power supply in a dusty environment, it can cause a failure. Please consider taking such countermeasures as installing an air filter near the suction area of the system to prevent a failure.

FETA2500BA, 3000BA

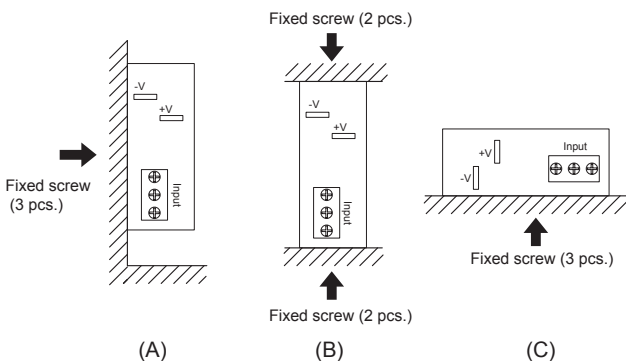


FETA7000T, 7000ST

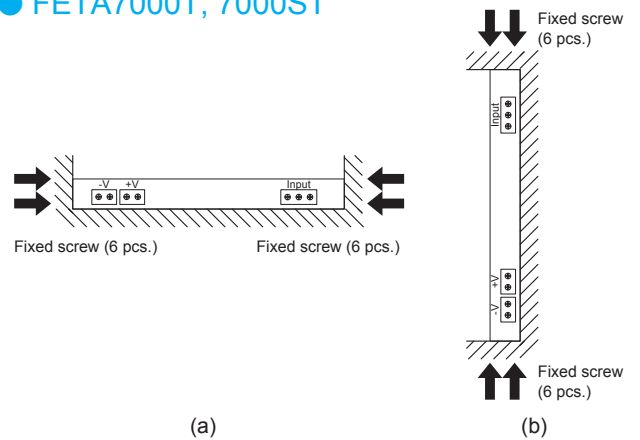


- When mounting the power supply with screws, it is recommended that this be done as shown in below figure. If other methods are used, be sure the weight of the power supply is taken into account.

FETA2500BA, 3000BA



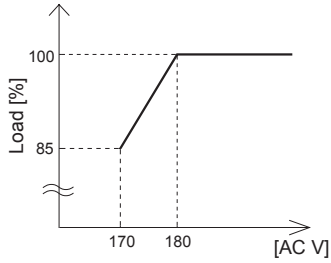
FETA7000T, 7000ST



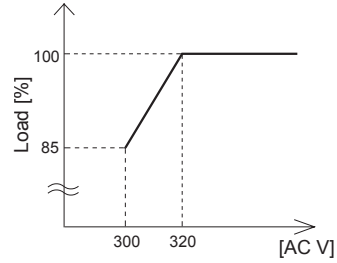
Derating

● **Input Voltage Derating Curve**

FETA2500BA, 3000BA, 7000T

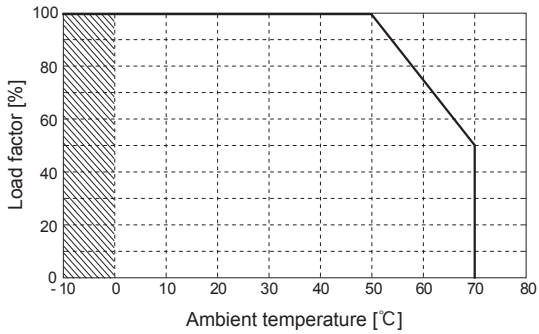


FETA7000ST

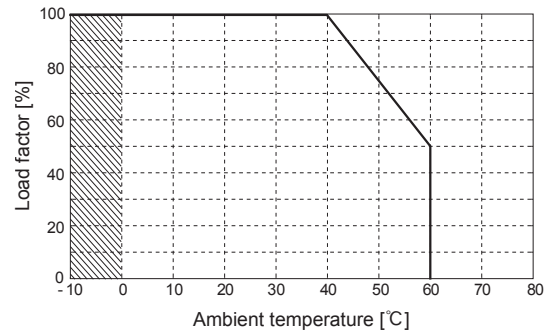


● **Ambient Temperature Derating Curve**

FETA2500BA, FETA3000BA



FETA7000T, FETA7000ST



■ Specifications for ripple and ripple noise changes in the shaded area.

Instruction Manuals

◆ Please see catalog and instruction manual before you use.

Instruction Manuals <https://en.cosel.co.jp/product/powersupply/FETA/>
 Before using our product <https://en.cosel.co.jp/technical/caution/index.html>

FETA



NOTICE



Basic Characteristics Data

Model	Circuit method	Switching frequency [kHz]	Input current [A]	Rated input fuse	Inrush current protection circuit	PCB/Pattern			Series/Parallel operation availability	
						Material	Single sided	Double sided	Series operation	Parallel operation
FETA2500BA	Active filter	47	13.8	250V 30A	Relay	FR-4		Yes	Yes	Yes
	Phase-shift Full-bridge converter	94								
FETA3000BA	Active filter	47	16.6	250V 30A	Relay	FR-4		Yes	Yes	Yes
	Phase-shift Full-bridge converter	94								
FETA7000T	Active filter	47	23.9	250V 30A	Relay	FR-4		Yes	Yes	Yes
	Phase-shift Full-bridge converter	94								

* The value of input current is at ACIN 200V and rated load.

Model	Circuit method	Switching frequency [kHz]	Input current [A]	Rated input fuse	Inrush current protection circuit	PCB/Pattern			Series/Parallel operation availability	
						Material	Single sided	Double sided	Series operation	Parallel operation
FETA7000ST	Active filter	47	12.0	250V 30A	Relay	FR-4		Yes	Yes	Yes
	Phase-shift Full-bridge converter	94								

* The value of input current is at ACIN 400V and rated load.

Mouser Electronics

Authorized Distributor

Click to View Pricing, Inventory, Delivery & Lifecycle Information:

Cosel:

[FETA2500BA-36](#) [FETA2500BA-48](#) [FETA7000T-144](#) [FETA7000T-48](#) [FETA3000BA-48](#)



Компания «ЭлектроПласт» предлагает заключение долгосрочных отношений при поставках импортных электронных компонентов на взаимовыгодных условиях!

Наши преимущества:

- Оперативные поставки широкого спектра электронных компонентов отечественного и импортного производства напрямую от производителей и с крупнейших мировых складов;
- Поставка более 17-ти миллионов наименований электронных компонентов;
- Поставка сложных, дефицитных, либо снятых с производства позиций;
- Оперативные сроки поставки под заказ (от 5 рабочих дней);
- Экспресс доставка в любую точку России;
- Техническая поддержка проекта, помощь в подборе аналогов, поставка прототипов;
- Система менеджмента качества сертифицирована по Международному стандарту ISO 9001;
- Лицензия ФСБ на осуществление работ с использованием сведений, составляющих государственную тайну;
- Поставка специализированных компонентов (Xilinx, Altera, Analog Devices, Intersil, Interpoint, Microsemi, Aeroflex, Peregrine, Syfer, Eurofarad, Texas Instrument, Miteq, Cobham, E2V, MA-COM, Hittite, Mini-Circuits, General Dynamics и др.);

Помимо этого, одним из направлений компании «ЭлектроПласт» является направление «Источники питания». Мы предлагаем Вам помощь Конструкторского отдела:

- Подбор оптимального решения, техническое обоснование при выборе компонента;
- Подбор аналогов;
- Консультации по применению компонента;
- Поставка образцов и прототипов;
- Техническая поддержка проекта;
- Защита от снятия компонента с производства.



Как с нами связаться

Телефон: 8 (812) 309 58 32 (многоканальный)

Факс: 8 (812) 320-02-42

Электронная почта: org@eplast1.ru

Адрес: 198099, г. Санкт-Петербург, ул. Калинина, дом 2, корпус 4, литера А.