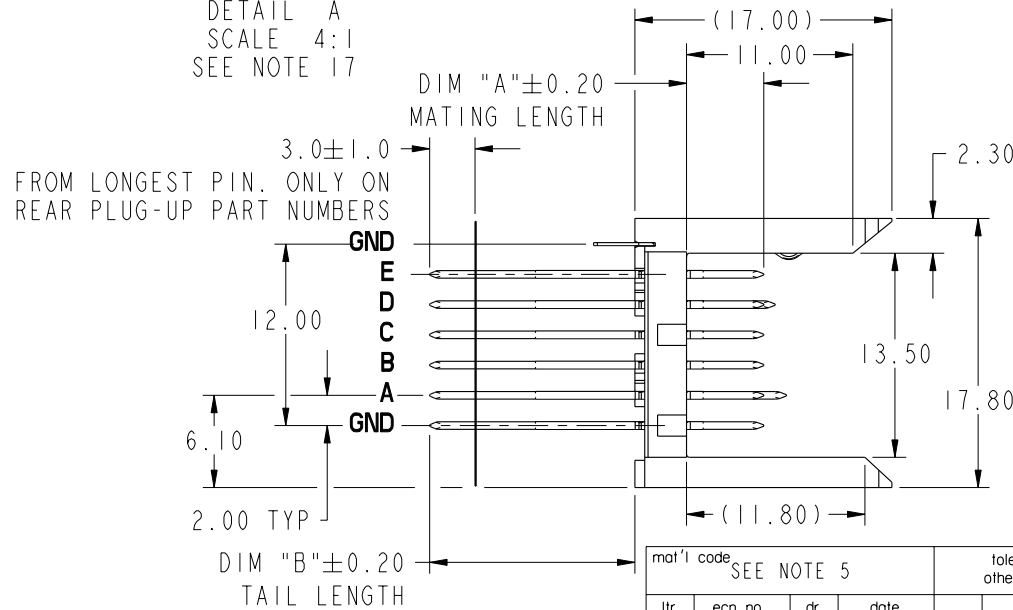


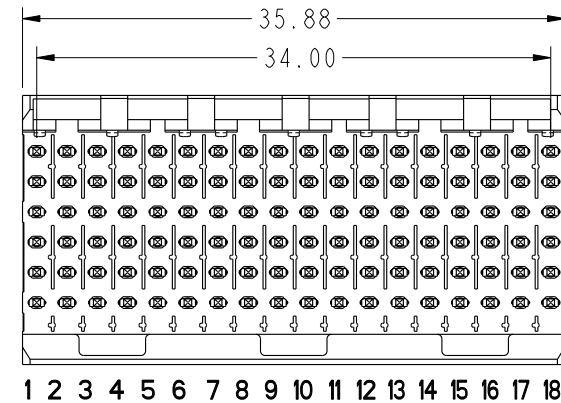
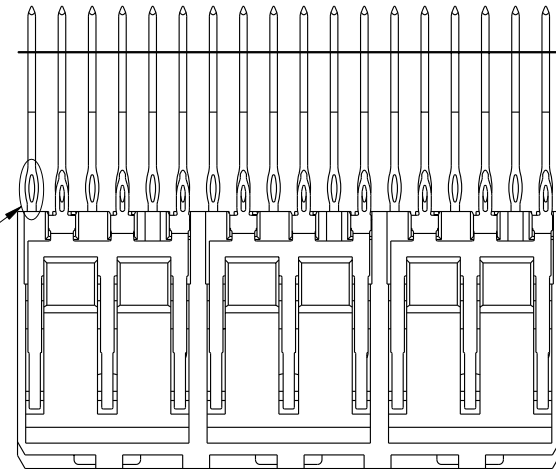
PRODUCT NUMBER	PLATING PERFORMANCE LEVEL	APPLICATION	FOR REAR PLUG-UP APPLICATIONS USE SHROUD
60066-1ZZZ	TELCORDIA CO	STANDARD	84818-104
60066-1ZZZLF		LEAD FREE	84818-104LF
60066-5ZZZ	TELCORDIA UE	STANDARD	84818-504
60066-5ZZZLF		LEAD FREE	84818-504LF
60066-9ZZZ	TELCORDIA CO	STANDARD	84818-904
60066-9ZZZLF		LEAD FREE	84818-904LF



DETAIL A
SCALE 4:1
SEE NOTE 17



SEE DETAIL A



mat'l code				tolerances unless otherwise specified			CUSTOMER		FCI	
SEE NOTE 5				0.X ±0.3			COPY		www.fciconnect.com	
ltr	ecm no.	dr	date	linear	0.XX ±0.13		projection		title	
K	V06-0498	DCH	2006-05-30		.XXX ±.051				VERTICAL SIGNAL HDR 5 ROW	
L	V06-0706	LP	2006-07-27	angles	0° ±2°				P.F. 90 POS. SELECT LOAD STD.	
M	V07-0502	DCH	2007-07-31				MM		product family	
N	V07-0733	HTB	2007-12-21	dr	K. BELL	2000-03-15	←		METRAL 1000	
P	V08-0049	LP	2008-2-4	engr	M. HAHN	2000-03-15	scale		code	
-	-	-	-	chr	M. HAHN	2000-03-15	1:1		size	
J	V05-0806	VS	2005-09-09	appd	M. HAHN	2000-03-15	A		dwg no	
sheet				P P P P P P P			A		60066	
index				1 2 3 4 5 6			A		213	
									sheet	
									1 of 6	



This document is the property of and embodies CONFIDENTIAL and PROPRIETARY information of FCI. No part of the information shown on this document may be used in any way or disclosed to others without the written consent of FCI. Copyright FCI.

PIN NO.	DIM A MATING LENGTH	DIM B TAIL LENGTH	PCB THICKNESS RANGE ACCOMMODATED BY PIN'S TAIL LENGTH **				
			WHEN MATING TO A 73981 OR 84688 SERIES RECEPTACLE		WHEN MATING TO A 52057 SERIES METRAL 4000 RECEPTACLE		
			ROWS A,B,C,D,E	GROUND ROW	ROWS:A,B,D,E	ROW C	GROUND ROW
01*	5.00	4.30	1.60 MIN	1.60 MIN	1.60 MIN	1.60 MIN	1.60 MIN
22		12.20	2.95 - 3.80	2.95 - 4.20	2.95 - 3.80	2.95 - 3.80	2.95 - 4.20
30		12.95	2.95 - 4.55	3.25 - 4.95	2.95 - 4.55	2.95 - 4.55	3.25 - 4.95
05		13.70	2.95 - 5.30	4.00 - 5.70	3.30 - 5.30	2.95 - 5.30	4.00 - 5.70
35		14.45	3.05 - 6.05	4.75 - 6.45	4.05 - 6.05	3.05 - 6.05	4.75 - 6.45
48		15.20	3.80 - 6.80	5.50 - 7.20	4.80 - 6.80	3.80 - 6.80	5.50 - 7.20
40		15.70	4.30 - 7.30	6.00 - 7.70	5.30 - 7.30	4.30 - 7.30	6.00 - 7.70
65		16.40	5.00 - 8.00	6.70 - 8.40	6.00 - 8.00	5.00 - 8.00	6.70 - 8.40
09		17.10	5.70 - 8.70	7.40 - 9.10	6.70 - 8.70	5.70 - 8.70	7.40 - 9.10
02*	5.75	4.30	1.60 MIN	1.60 MIN	1.60 MIN	1.60 MIN	1.60 MIN
44		12.20	2.95 - 3.80	2.95 - 4.20	2.95 - 3.80	2.95 - 3.80	2.95 - 4.20
31		12.95	2.95 - 4.55	3.25 - 4.95	2.95 - 4.55	2.95 - 4.55	3.25 - 4.95
06		13.70	2.95 - 5.30	4.00 - 5.70	3.30 - 5.30	2.95 - 5.30	4.00 - 5.70
36		14.45	3.05 - 6.05	4.75 - 6.45	4.05 - 6.05	3.05 - 6.05	4.75 - 6.45
49		15.20	3.80 - 6.80	5.50 - 7.20	4.80 - 6.80	3.80 - 6.80	5.50 - 7.20
25		15.70	4.30 - 7.30	6.00 - 7.70	5.30 - 7.30	4.30 - 7.30	6.00 - 7.70
66		16.40	5.00 - 8.00	6.70 - 8.40	6.00 - 8.00	5.00 - 8.00	6.70 - 8.40
10		17.10	5.70 - 8.70	7.40 - 9.10	6.70 - 8.70	5.70 - 8.70	7.40 - 9.10
03*	6.50	4.30	1.60 MIN	1.60 MIN	1.60 MIN	1.60 MIN	1.60 MIN
45		12.20	2.95 - 3.80	2.95 - 4.20	2.95 - 3.80	2.95 - 3.80	2.95 - 4.20
32		12.95	2.95 - 4.55	3.25 - 4.95	2.95 - 4.55	2.95 - 4.55	3.25 - 4.95
07		13.70	2.95 - 5.30	4.00 - 5.70	3.30 - 5.30	2.95 - 5.30	4.00 - 5.70
37		14.45	3.05 - 6.05	4.75 - 6.45	4.05 - 6.05	3.05 - 6.05	4.75 - 6.45
50		15.20	3.80 - 6.80	5.50 - 7.20	4.80 - 6.80	3.80 - 6.80	5.50 - 7.20
41		15.70	4.30 - 7.30	6.00 - 7.70	5.30 - 7.30	4.30 - 7.30	6.00 - 7.70
24		16.40	5.00 - 8.00	6.70 - 8.40	6.00 - 8.00	5.00 - 8.00	6.70 - 8.40
11		17.10	5.70 - 8.70	7.40 - 9.10	6.70 - 8.70	5.70 - 8.70	7.40 - 9.10

* STUB PINS - NO REAR PLUG-UP
 ** THE GREATEST RANGE OCCURS WHEN THE B DIMENSION OF PIN 'GND' IS ONE SIZE SHORTER THEN THE OTHER PINS.



This document is the property of and embodies CONFIDENTIAL and PROPRIETARY information of FCI. No part of the information shown on this document may be used in any way or disclosed to others without the written consent of FCI. Copyright FCI.

mat'l code SEE NOTE 5				tolerances unless otherwise specified		CUSTOMER	www.fciconnect.com		
ltr	ecn no.	dr	date	linear	0.X ±0.3	projection	COPY		
P					0.XX ±0.13			title VERTICAL SIGNAL HDR 5 ROW P.F. 90 POS. SELECT LOAD STD.	
					.XXX ±.051			product family METRAL 1000 code	
				angles	0° ±2°	MM scale 1:1	size	dwg no	
				dr	K. BELL 2000-03-15		A	213	
				engr	M. HAHN 2000-03-15			60066	
				chr	M. HAHN 2000-03-15			sheet	
				appd	M. HAHN 2000-03-15	2			
sheet index	revision sheet								

PIN NO.	DIM A MATING LENGTH	DIM B TAIL LENGTH	PCB THICKNESS RANGE ACCOMMODATED BY PIN LENGTH **				
			WHEN MATING TO A 73981 OR 84688 SERIES RECEPTACLE		WHEN MATING TO A 52057 SERIES METRAL 4000 RECEPTACLE		
			ROWS A,B,C,D,E	GROUND ROW	ROWS:A,B,D,E	ROW C	GROUND ROW
04*	7.25	4.30	1.60 MIN	1.60 MIN	1.60 MIN	1.60 MIN	1.60 MIN
46		12.20	2.95 - 3.80	2.95 - 4.20	2.95 - 3.80	2.95 - 3.80	2.95 - 4.20
33		12.95	2.95 - 4.55	3.25 - 4.95	2.95 - 4.55	2.95 - 4.55	3.25 - 4.95
08		13.70	2.95 - 5.30	4.00 - 5.70	3.30 - 5.30	2.95 - 5.30	4.00 - 5.70
38		14.45	3.05 - 6.05	4.75 - 6.45	4.05 - 6.05	3.05 - 6.05	4.75 - 6.45
51		15.20	3.80 - 6.80	5.50 - 7.20	4.80 - 6.80	3.80 - 6.80	5.50 - 7.20
42		15.70	4.30 - 7.30	6.00 - 7.70	5.30 - 7.30	4.30 - 7.30	6.00 - 7.70
67		16.40	5.00 - 8.00	6.70 - 8.40	6.00 - 8.00	5.00 - 8.00	6.70 - 8.40
12		17.10	5.70 - 8.70	7.40 - 9.10	6.70 - 8.70	5.70 - 8.70	7.40 - 9.10
19*	8.00	4.30	1.60 MIN	1.60 MIN	1.60 MIN	1.60 MIN	1.60 MIN
47		12.20	2.95 - 3.80	2.95 - 4.20	2.95 - 3.80	2.95 - 3.80	2.95 - 4.20
34		12.95	2.95 - 4.55	3.25 - 4.95	2.95 - 4.55	2.95 - 4.55	3.25 - 4.95
20		13.70	2.95 - 5.30	4.00 - 5.70	3.30 - 5.30	2.95 - 5.30	4.00 - 5.70
39		14.45	3.05 - 6.05	4.75 - 6.45	4.05 - 6.05	3.05 - 6.05	4.75 - 6.45
52		15.20	3.80 - 6.80	5.50 - 7.20	4.80 - 6.80	3.80 - 6.80	5.50 - 7.20
43		15.70	4.30 - 7.30	6.00 - 7.70	5.30 - 7.30	4.30 - 7.30	6.00 - 7.70
68		16.40	5.00 - 8.00	6.70 - 8.40	6.00 - 8.00	5.00 - 8.00	6.70 - 8.40
21		17.10	5.70 - 8.70	7.40 - 9.10	6.70 - 8.70	5.70 - 8.70	7.40 - 9.10

* STUB PINS - NO REAR PLUG-UP
 ** THE GREATEST RANGE OCCURS WHEN THE B DIMENSION OF PIN 'GND' IS ONE SIZE SHORTER THEN THE OTHER PINS.

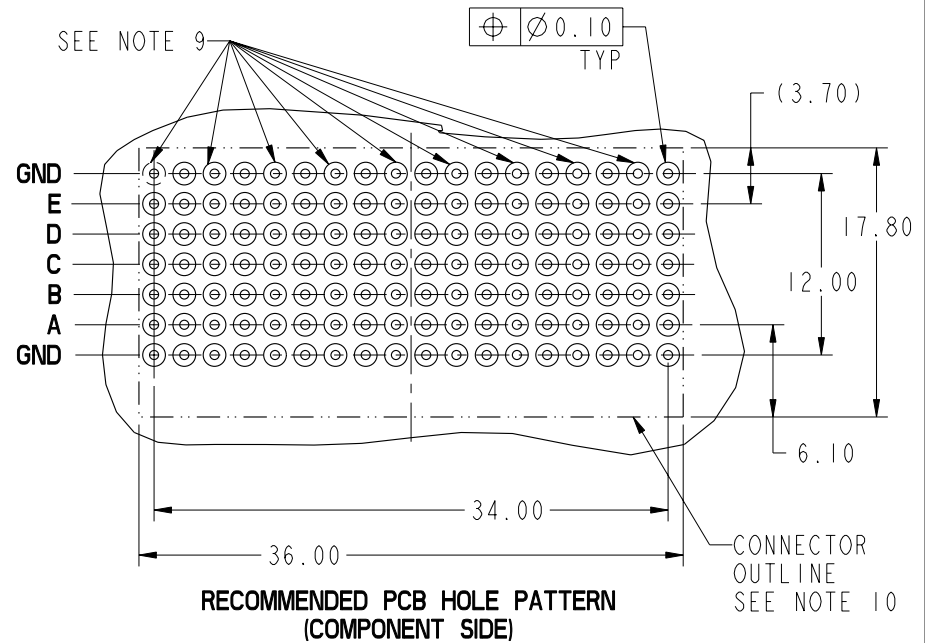
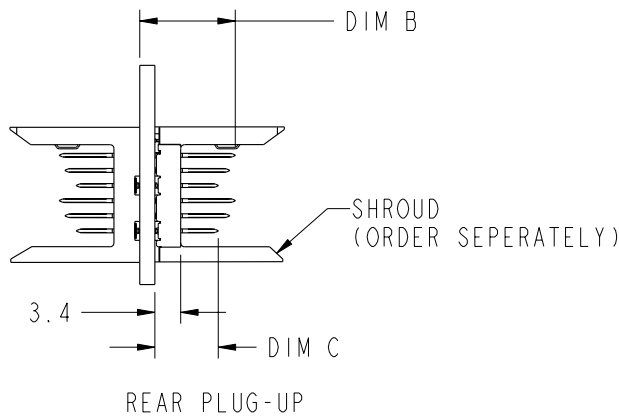
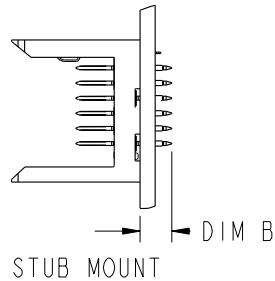


This document is the property of and embodies CONFIDENTIAL and PROPRIETARY information of FCI. No part of the information shown on this document may be used in any way or disclosed to others without the written consent of FCI. Copyright FCI.

mat'l code SEE NOTE 5				tolerances unless otherwise specified		CUSTOMER		www.fciconnect.com	
ltr	ecm no.	dr	date	linear	0.X ± 0.3		COPY		title VERTICAL SIGNAL HDR 5 ROW P.F. 90 POS. SELECT LOAD STD.
P					0.XX ± 0.13		projection		
					.XXX ± 0.051				
				angles	0° ± 2°				product family METRAL 1000
				dr	K. BELL	2000-03-15	scale 1:1		code 213
				engr	M. HAHN	2000-03-15	size A		sheet 3
				chr	M. HAHN	2000-03-15	size A		
				appd	M. HAHN	2000-03-15	size A		
sheet index	revision sheet								

PRODUCT NUMBER
SEE SHEET 1

PRESS-FIT HOLES	OPTION 1
HOLE DIAMETER AFTER PLATING	0.65-0.80
DRILLED HOLE	0.81-0.86 (0.85 DRILL)
COPPER PLATING	0.025 MIN
SnPb PLATING	0.005-0.015



RECOMMENDED PCB HOLE PATTERN
(COMPONENT SIDE)

SEE PRINT 58351 FOR
ADDITIONAL PCB INFORMATION

mat'l code SEE NOTE 5				tolerances unless otherwise specified		CUSTOMER		FCI www.fciconnect.com	
ltr	ecm no.	dr	date	linear	0.X ±0.3	COPY		title	
P					0.XX ±0.13	projection		VERTICAL SIGNAL HDR 5 ROW P.F. 90 POS. SELECT LOAD STD.	
				angles	.XXX ±.051	MM		product family	
				dr	0° ±2°	← MM →		METRAL 1000	
				enr	K. BELL 2000-03-15	scale		code	
				chr	M. HAHN 2000-03-15	1:1		213	
				appd	M. HAHN 2000-03-15			size	
								dwg no	
								60066	
sheet index	revision sheet							sheet	
								4	


This document is the property of and embodies
 CONFIDENTIAL and PROPRIETARY information of FCI.
 No part of the information shown on this
 document may be used in any way or disclosed
 to others without the written consent of FCI.
 Copyright FCI.

PRODUCT NUMBER

SEE SHEET 1

NOTES:


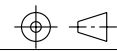

- 1. SEE APPLICATION SPECIFICATION GS-20-010 FOR INFORMATION ON AVAILABLE TOOLING, CURCUIT BOARD DESIGN CONSIDERATIONS, REPAIR PROCEDURES AND PRODUCT OFFERINGS.
- 2. SEE FCI PUBLICATION 950511-028 FOR "ELECTRICAL PERFORMANCE DATA FOR DIFFERENTIAL APPLICATIONS."
- 3. SEE FCI PUBLICATION 950511-029 FOR "ELECTRICAL PERFORMANCE DATA FOR SINGLE-ENDED APPLICATION."
- 4. UNLESS OTHERWISE SPECIFIED, ALL DIMENSIONS AND TOLERANCES ARE IN ACCORDANCE WITH ASME Y14.5, 1994
- 5. HOUSING MATERIAL: LIQUID CRYSTAL POLYMER, 30% GLASS FILLED, FLAME RETARDANT PER UL 94-V0.
PIN MATERIAL: PHOSPHER BRONZE
GROUND SPRING MATERIAL: PHOSPHER BRONZE
- 6. PLATING INFORMATION: PLATING ON CONTACT AREA MEETS THE PERFORMANCE LEVELS SHOWN IN TABLE ON SHEET 1. PLATING OF "LF" TAILS IS Sn, PLATING ON ALL OTHER TAILS IS SnPb.
- 7. DIMENSIONAL RESTRICTIONS OF PINS IN HEADERS.
FOR MATING WITH METRAL 1000 RECEPTACLES
DIM A : 5.00mm MIN, 8.00mm MAX FOR ROWS A-E
DIM A : 5.00mm MIN, 5.75mm MAX FOR ROW GND NEXT TO ROW A
DIM C : 5.00mm MIN, 8.00mm MAX FOR ROWS A-E
DIM C : 4.60mm MIN, 6.30mm MAX FOR ROW GND NEXT TO ROW A
FOR MATING WITH METRAL 4000 RECEPTACLES
DIM A : 5.00mm MIN, 6.50mm MAX FOR ROWS A, B, D & E
DIM A : 5.00mm MIN, 8.00mm MAX FOR ROW C
DIM A : 5.00mm MIN, 5.75mm MAX FOR ROW GND NEXT TO ROW A
DIM C : 5.00mm MIN, 7.00mm MAX FOR ROWS A, B, D NO
DIM C : 5.00mm MIN, 8.00mm MAX FOR ROW C
DIM C : 4.60mm MIN, 6.30mm MAX FOR ROW GND NEXT TO ROW A

- 8. THE MIN PCB THICKNESS FOR REAR PLUG-UP APPLICATIONS IS 2.9mm. SINCE THE COMPLIANT SECTIONS OF THE GROUND SPRING OF THE HEADER DIRECTLY OPPOSE THE GROUND SPRING OF THE SHROUD. THE MIN PCB THICKNESS FOR FRONT PLUG-UP ONLY APPLICATIONS IS 1.6mm.
- 9. THESE HOLES ARE NEEDED FOR REAR PLUG-UP DESIGNS USING A SHROUD AND MAY BE OMITTED FOR FRONT PLUG-UP ONLY DESIGNS.
- 10. THE 'CONNECTOR OUTLINE' IS THE MIN OUTLINE REQUIRED. TO DETERMINE THE OUTLINE NECESSARY TO PERMIT THE VARIOUS TYPES OF REPAIR OPERATIONS, SEE APPLICATION SPECIFICATION GS-20-010.
- 11. CURRENT RATING: 1 AMP PER PIN
- 12. TEMPERATURE RANGE: -55°C TO +105°C
- 13. P/N 60066-XZZZLF


LEAD FREE (OPTIONAL)
SELECT LOAD PATTERN
PLATING CODE
- 14. PIN CODE 55 CANNOT BE USED WITH METRAL 1000 SHROUDS. PIN CODE 55 HAS A DIM A=5.75mm, DIM B=11.55mm.
- 15. PART NUMBERS ENDING IN LF MEET EUROPEAN UNION DIRECTIVES AND OTHER COUNTRY REGULATIONS AS DESCRIBED IN GS-22-008. ALL PRODUCTS WILL WITHSTAND EXPOSURE TO 260°C FOR 60 SECONDS IN A CONVECTION, INFRA-RED OR VAPOR PHASE REFLOW OVEN.
- 16. FOR LEAD FREE PART NUMBERS ADD 'LF' SUFFIX. EXAMPLE: 60066-XYYYLF
- 17. PIN TYPE IS AT THE MANUFACTURERS OPTION AND CAN BE EITHER BABY-H OR EYE OF THE NEEDLE STYLE



This document is the property of and embodies CONFIDENTIAL and PROPRIETARY information of FCI. No part of the information shown on this document may be used in any way or disclosed to others without the written consent of FCI. Copyright FCI.

mat'l code SEE NOTE 5				tolerances unless otherwise specified		CUSTOMER		 www.fciconnect.com	
ltr	ecn no.	dr	date	linear	0.X ±0.3		COPY		 title VERTICAL SIGNAL HDR 5 ROW P.F. 90 POS. SELECT LOAD STD.
P					0.XX ±0.13		projection		
					.XXX ±.051				
				angles	0° ±2°		 product family METRAL 1000 code		
				dr	K. BELL	2000-03-15	MM		size
				engr	M. HAHN	2000-03-15	← MM →		dwg no
				chr	M. HAHN	2000-03-15	scale		A
				appd	M. HAHN	2000-03-15	1:1		
sheet index	revision sheet								213
									5

SELECT LOAD PATTERNS

PRODUCT #	ROW	COLUMN																	
		1	2	3	4	5	6	7	8	9	10	11	12	13	14	15	16	17	18
60066-X001 SEE NOTE 16 LEAD FREE OPTION	E	01	01	01	01	01	01	01	01	01	01	01	01	01	01	01	01	01	01
	D	01	01	01	01	01	02	01	01	01	01	01	02	01	01	01	01	01	02
	C	01	01	01	01	01	01	01	01	01	01	01	01	01	01	01	01	01	01
	B	01	01	01	01	01	01	01	01	01	01	01	01	01	01	01	01	01	01
	A	01	01	03	01	01	03	01	01	03	01	01	03	01	01	03	01	01	03
	GND	01	01	01	01	01	01	01	01	01	01	01	01	01	01	01	01	01	01

PRODUCT #	ROW	COLUMN																
		1	2	3	4	5	6	7	8	9	10	11	12	13	14	15	16	17
60066-X002 SEE NOTE 14 *RPU SEE NOTE 16 LEAD FREE OPTION	E	55	02	02	02	02	55	55	55	02	02	02	02	55	55	55	55	55
	D	55	02	02	02	02	55	55	55	02	02	02	02	55	55	55	55	55
	C	55	02	02	02	02	55	55	55	02	02	02	02	55	55	55	55	55
	B	55	02	02	02	02	55	55	55	02	02	02	02	55	55	55	55	55
	A	55	02	02	02	02	55	55	55	02	02	02	02	55	55	55	55	55
	GND	55	02	02	02	02	55	55	55	02	02	02	02	55	55	55	55	55

PRODUCT #	ROW	COLUMN																
		1	2	3	4	5	6	7	8	9	10	11	12	13	14	15	16	17
60066-X003 SEE NOTE 14 *RPU SEE NOTE 16 LEAD FREE OPTION	E	55	55	55	55	55	55	55	55	55	55	55	55	02	02	02	02	55
	D	55	55	55	55	55	55	55	55	55	55	55	55	02	02	02	02	55
	C	55	55	55	55	55	55	55	55	55	55	55	55	02	02	02	02	55
	B	55	55	55	55	55	55	55	55	55	55	55	55	02	02	02	02	55
	A	55	55	55	55	55	55	55	55	55	55	55	55	02	02	02	02	55
	GND	55	55	55	55	55	55	55	55	55	55	55	55	02	02	02	02	55


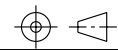
SELECT LOAD PATTERNS

PRODUCT #	ROW	COLUMN																	
		1	2	3	4	5	6	7	8	9	10	11	12	13	14	15	16	17	18
60066-X004 SEE NOTE 16 LEAD FREE OPTION	E	02	02	02	02	02	02	02	02	02	02	02	02	02	02	02	02	02	02
	D	02	02	02	02	02	02	02	02	02	02	02	02	02	02	02	02	02	02
	C	02	02	02	02	02	02	02	02	02	02	02	02	02	02	02	02	02	02
	B	02	02	02	02	02	02	02	02	02	02	02	02	02	02	02	02	02	02
	A	02	02	02	02	02	02	02	02	02	02	02	02	02	02	02	02	02	02
	GND	-	02	02	02	02	-	-	02	02	02	02	-	-	02	02	02	02	-

PCB THICKNESS
RANGE FOR REAR
PLUG UP
APPLICATIONS:
1.6mm MIN.

PCB THICKNESS
RANGE FOR REAR
PLUG UP
APPLICATIONS:
1.6mm MIN.

* REAR PLUG-UP PART NUMBERS

mat'l code SEE NOTE 5				tolerances unless otherwise specified				CUSTOMER				www.fciconnect.com	
ltr	ecn no.	dr	date	linear	0.X ±0.3		COPY			title			
P					0.XX ±0.13		projection			VERTICAL SIGNAL HDR 5 ROW P.F. 90 POS. SELECT LOAD STD.			
					angles	.XXX ±.051		MM		product family		code	
				0° ±2°		← MM →		METRAL 1000		213			
				dr	K. BELL	2000-03-15	scale		A	size		sheet	
				engr	M. HAHN	2000-03-15	1:1			dwg no		6	
				chr	M. HAHN	2000-03-15				60066			
				appd	M. HAHN	2000-03-15							
sheet index		revision sheet											

This document is the property of and embodies
 CONFIDENTIAL and PROPRIETARY information of FCI.
 No part of the information shown on this
 document may be used in any way or disclosed
 to others without the written consent of FCI.
 Copyright FCI.



Компания «ЭлектроПласт» предлагает заключение долгосрочных отношений при поставках импортных электронных компонентов на взаимовыгодных условиях!

Наши преимущества:

- Оперативные поставки широкого спектра электронных компонентов отечественного и импортного производства напрямую от производителей и с крупнейших мировых складов;
- Поставка более 17-ти миллионов наименований электронных компонентов;
- Поставка сложных, дефицитных, либо снятых с производства позиций;
- Оперативные сроки поставки под заказ (от 5 рабочих дней);
- Экспресс доставка в любую точку России;
- Техническая поддержка проекта, помощь в подборе аналогов, поставка прототипов;
- Система менеджмента качества сертифицирована по Международному стандарту ISO 9001;
- Лицензия ФСБ на осуществление работ с использованием сведений, составляющих государственную тайну;
- Поставка специализированных компонентов (Xilinx, Altera, Analog Devices, Intersil, Interpoint, Microsemi, Aeroflex, Peregrine, Syfer, Eurofarad, Texas Instrument, Miteq, Cobham, E2V, MA-COM, Hittite, Mini-Circuits, General Dynamics и др.);

Помимо этого, одним из направлений компании «ЭлектроПласт» является направление «Источники питания». Мы предлагаем Вам помощь Конструкторского отдела:

- Подбор оптимального решения, техническое обоснование при выборе компонента;
- Подбор аналогов;
- Консультации по применению компонента;
- Поставка образцов и прототипов;
- Техническая поддержка проекта;
- Защита от снятия компонента с производства.



Как с нами связаться

Телефон: 8 (812) 309 58 32 (многоканальный)

Факс: 8 (812) 320-02-42

Электронная почта: org@eplast1.ru

Адрес: 198099, г. Санкт-Петербург, ул. Калинина, дом 2, корпус 4, литера А.