

### FEATURES

**33 V supply range**  
**130 Ω on resistance**  
**Fully specified at ±15 V/+12 V**  
**3 V logic-compatible inputs**  
**Rail-to-rail operation**  
**Break-before-make switching action**  
**16-lead TSSOP and 16-lead SOIC\_N**  
**Upgrade for the ADG508A/ADG509A**

### APPLICATIONS

**Audio and video routing**  
**Test equipment**  
**Data acquisition systems**  
**Battery-powered systems**  
**Communication systems**  
**Signal routing**

### FUNCTIONAL BLOCK DIAGRAMS

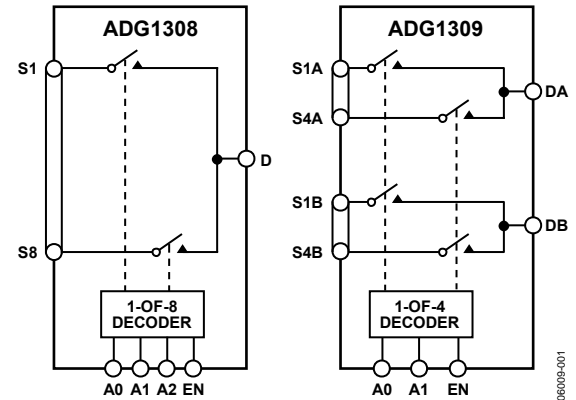


Figure 1.

### GENERAL DESCRIPTION

The ADG1308 and ADG1309 are monolithic analog multiplexers consisting of eight single channels and four differential channels, respectively. The ADG1308 switches one of eight inputs to a common output as determined by the 3-bit binary address lines A0, A1, and A2. The ADG1309 switches one of four differential inputs to a common differential output as determined by the 2-bit binary address lines A0 and A1. An EN input on both devices is used to enable or disable the device. When disabled, all channels are switched off.

When the switches are on, each switch conducts equally well in both directions and has an input signal range that extends to the power supplies. In the off condition, signal levels up to the supplies are blocked. All switches exhibit break-before-make switching action for use in multiplexer applications. Inherent in the design is the low charge injection for minimum transients when switching the digital inputs.

Fast switching speed coupled with high signal bandwidth makes the parts suitable for video signal switching. CMOS construction ensures ultra low power dissipation, making the parts ideally suited for portable and battery-powered instruments.

### PRODUCT HIGHLIGHTS

1. 16-lead TSSOP and 16-lead SOIC\_N available.
2. Pin compatible with the ADG508AKR and the ADG509AKR devices.
3. 3 V, logic-compatible digital input where:  
 $V_{IH} = 2.0\text{ V}$  and  $V_{IL} = 0.8\text{ V}$ .
4.  $V_L$  logic power supply not required.
5. Low power consumption.

#### Rev. A

Information furnished by Analog Devices is believed to be accurate and reliable. However, no responsibility is assumed by Analog Devices for its use, nor for any infringements of patents or other rights of third parties that may result from its use. Specifications subject to change without notice. No license is granted by implication or otherwise under any patent or patent rights of Analog Devices. Trademarks and registered trademarks are the property of their respective owners.

## TABLE OF CONTENTS

Features .....	1	Absolute Maximum Ratings .....	6
Applications.....	1	ESD Caution.....	6
Functional Block Diagrams.....	1	Pin Configurations and Function Descriptions .....	7
General Description .....	1	ADG1308 Truth Table .....	7
Product Highlights .....	1	ADG1309 Truth Table .....	8
Revision History .....	2	Typical Performance Characteristics .....	9
Specifications.....	3	Test Circuits.....	11
Dual Supply .....	3	Terminology .....	13
Single Supply .....	5	Outline Dimensions .....	14
		Ordering Guide .....	14

## REVISION HISTORY

### 1/09—Rev. 0 to Rev. A

Change to $I_{DD}$ Parameter, Table 1 .....	4
Change to $I_{DD}$ Parameter, Table 2 .....	5
Updated Outline Dimensions .....	14

### 4/06—Revision 0: Initial Version

# SPECIFICATIONS

## DUAL SUPPLY

$V_{DD} = +15\text{ V} \pm 10\%$ ,  $V_{SS} = -15\text{ V} \pm 10\%$ ,  $GND = 0\text{ V}$ , unless otherwise noted.<sup>1</sup>

**Table 1.**

Parameter	+25°C	-40°C to +105°C	Unit	Test Conditions/Comments
<b>ANALOG SWITCH</b>				
Analog Signal Range		$V_{SS}$ to $V_{DD}$	V	
On Resistance, $R_{ON}$	130		$\Omega$ typ	$V_S = \pm 10\text{ V}$ , $I_S = -1\text{ mA}$ ; see Figure 13
	210	300	$\Omega$ max	$V_{DD} = +13.5\text{ V}$ , $V_{SS} = -13.5\text{ V}$
On Resistance Match Between Channels, $\Delta R_{ON}$	5		$\Omega$ typ	$V_S = \pm 10\text{ V}$ , $I_S = -1\text{ mA}$
	10		$\Omega$ max	
On Resistance Flatness, $R_{FLAT}$ (On)	25		$\Omega$ typ	$V_S = -5\text{ V}, 0\text{ V}, +5\text{ V}$ , $I_S = -1\text{ mA}$
	70		$\Omega$ max	
<b>LEAKAGE CURRENTS</b>				
Source Off Leakage, $I_S$ (Off)	$\pm 1$		nA typ	$V_D = \pm 10\text{ V}$ , $V_S = -10\text{ V}$ ; see Figure 14
		$\pm 50$	nA max	
Drain Off Leakage, $I_D$ (Off)	$\pm 1$		nA typ	$V_S = 1\text{ V}, 10\text{ V}$ ; $V_D = 10\text{ V}, 1\text{ V}$ ; see Figure 14
		$\pm 50$	nA max	
Channel On Leakage, $I_D, I_S$ (On)	$\pm 1$		nA typ	$V_S = V_D = \pm 10\text{ V}$ ; see Figure 15
		$\pm 50$	nA max	
<b>DIGITAL INPUTS</b>				
Input High Voltage, $V_{INH}$		2.0	V min	
Input Low Voltage, $V_{INL}$		0.8	V max	
Input Current, $I_{INL}$ or $I_{INH}$	$\pm 0.005$		$\mu\text{A}$ max	$V_{IN} = V_{INL}$ or $V_{INH}$
		$\pm 0.1$	$\mu\text{A}$ max	
Digital Input Capacitance, $C_{IN}$	5		pF typ	
<b>DYNAMIC CHARACTERISTICS<sup>2</sup></b>				
Transition Time, $t_{TRANSITION}$	80		ns typ	$R_L = 300\ \Omega$ , $C_L = 35\text{ pF}$
	130	190	ns max	$V_S = 10\text{ V}$ ; see Figure 16
$t_{ON}$ (EN)	80		ns typ	$R_L = 300\ \Omega$ , $C_L = 35\text{ pF}$
	100	120	ns max	$V_S = 10\text{ V}$ ; see Figure 18
$t_{OFF}$ (EN)	85		ns typ	$R_L = 300\ \Omega$ , $C_L = 35\text{ pF}$
	100	150	ns max	$V_S = 10\text{ V}$ ; see Figure 18
Break-Before-Make Time Delay, $t_{BBM}$	25		ns typ	$R_L = 300\ \Omega$ , $C_L = 35\text{ pF}$
		10	ns min	$V_{S1} = V_{S2} = 10\text{ V}$ ; see Figure 17
Charge Injection	2		pC typ	$V_S = 0\text{ V}$ , $R_S = 0\ \Omega$ , $C_L = 1\text{ nF}$ ; see Figure 19
Off Isolation	80		dB typ	$R_L = 50\ \Omega$ , $C_L = 5\text{ pF}$ , $f = 1\text{ MHz}$ ; see Figure 20
Channel-to-Channel Crosstalk	80		dB typ	$R_L = 50\ \Omega$ , $C_L = 5\text{ pF}$ , $f = 1\text{ MHz}$ ; see Figure 21
-3 dB Bandwidth	500		MHz typ	$R_L = 50\ \Omega$ , $C_L = 5\text{ pF}$ ; see Figure 22
$C_S$ (Off)	5		pF typ	$f = 1\text{ MHz}$ , $V_S = 0\text{ V}$
$C_D$ (Off)				
ADG1308	15		pF typ	$f = 1\text{ MHz}$ , $V_S = 0\text{ V}$
ADG1309	10		pF typ	$f = 1\text{ MHz}$ , $V_S = 0\text{ V}$
$C_D, C_S$ (On)				
ADG1308	20		pF typ	$f = 1\text{ MHz}$ , $V_S = 0\text{ V}$
ADG1309	15		pF typ	$f = 1\text{ MHz}$ , $V_S = 0\text{ V}$

# ADG1308/ADG1309

Parameter	+25°C	-40°C to +105°C	Unit	Test Conditions/Comments
POWER REQUIREMENTS				$V_{DD} = +16.5\text{ V}$ , $V_{SS} = -16.5\text{ V}$
$I_{DD}$	0.002		$\mu\text{A typ}$	Digital inputs = 0 V or $V_{DD}$
		1.0	$\mu\text{A max}$	
$I_{DD}$	220		$\mu\text{A typ}$	Digital inputs = 5 V
		380	$\mu\text{A max}$	
$I_{SS}$	0.002		$\mu\text{A typ}$	Digital inputs = 0 V or $V_{DD}$ or 5 V
		1.0	$\mu\text{A max}$	
$V_{DD}/V_{SS}$		$\pm 5/\pm 16.5$	V min/V max	$ V_{DD}  =  V_{SS} $

<sup>1</sup> Temperature range for B version is -40°C to +105°C.

<sup>2</sup> Guaranteed by design; not subject to production test.

**SINGLE SUPPLY**

$V_{DD} = 12\text{ V}$ ,  $V \pm 10\%$ ,  $V_{SS} = 0\text{ V}$ ,  $GND = 0\text{ V}$ , unless otherwise noted.<sup>1</sup>

**Table 2.**

Parameter	+25°C	−40°C to +105°C	Unit	Test Conditions/Comments
<b>ANALOG SWITCH</b>				
Analog Signal Range		0 to $V_{DD}$	V	
On Resistance, $R_{ON}$	325		$\Omega$ typ	$V_S = 0\text{ V}$ to $10\text{ V}$ , $I_S = -1\text{ mA}$ ; see Figure 13
	500	660	$\Omega$ max	$V_{DD} = 10.8\text{ V}$ , $V_{SS} = 0\text{ V}$
On Resistance Match Between Channels, $\Delta R_{ON}$	10		$\Omega$ typ	$V_S = 0\text{ V}$ to $10\text{ V}$ , $I_S = -1\text{ mA}$
	20		$\Omega$ max	
On Resistance Flatness, $R_{FLAT}$ (On)	65		$\Omega$ typ	$V_S = 3\text{ V}$ , $6\text{ V}$ , $9\text{ V}$ , $I_S = -1\text{ mA}$
<b>LEAKAGE CURRENTS</b>				
Source Off Leakage, $I_S$ (Off)	$\pm 1$		nA typ	$V_{DD} = 13.2\text{ V}$
		$\pm 50$	nA max	$V_S = 1\text{ V}/10\text{ V}$ , $V_D = 10\text{ V}/1\text{ V}$ ; see Figure 14
Drain Off Leakage, $I_D$ (Off)	$\pm 1$		nA typ	$V_S = 1\text{ V}/10\text{ V}$ , $V_D = 10\text{ V}/1\text{ V}$ ; see Figure 14
		$\pm 50$	nA max	
Channel On Leakage, $I_D$ , $I_S$ (On)	$\pm 1$		nA typ	$V_S = V_D = 1\text{ V}$ or $10\text{ V}$ ; see Figure 15
		$\pm 50$	nA max	
<b>DIGITAL INPUTS</b>				
Input High Voltage, $V_{INH}$		2.0	V min	
Input Low Voltage, $V_{INL}$		0.8	V max	
Input Current, $I_{INL}$ or $I_{INH}$	$\pm 0.001$		$\mu\text{A}$ max	$V_{IN} = V_{INL}$ or $V_{INH}$
		$\pm 0.1$	$\mu\text{A}$ max	
Digital Input Capacitance, $C_{IN}$	3		pF typ	
<b>DYNAMIC CHARACTERISTICS<sup>2</sup></b>				
Transition Time, $t_{TRANSITION}$	100		ns typ	$R_L = 300\ \Omega$ , $C_L = 35\text{ pF}$
	170	240		$V_S = 8\text{ V}$ ; see Figure 16
$t_{ON}$ (EN)	90		ns typ	$R_L = 300\ \Omega$ , $C_L = 35\text{ pF}$
	110	170		$V_S = 8\text{ V}$ ; see Figure 18
$t_{OFF}$ (EN)	105		ns typ	$R_L = 300\ \Omega$ , $C_L = 35\text{ pF}$
	130	180		$V_S = 8\text{ V}$ ; see Figure 18
Break-Before-Make Time Delay, $t_{BBM}$	45		ns typ	$R_L = 300\ \Omega$ , $C_L = 35\text{ pF}$
		20	ns min	$V_{S1} = V_{S2} = 8\text{ V}$ ; see Figure 17
Charge Injection	2		pC typ	$V_S = 6\text{ V}$ , $R_S = 0\ \Omega$ , $C_L = 1\text{ nF}$ ; see Figure 19
Off Isolation	80		dB typ	$R_L = 50\ \Omega$ , $C_L = 5\text{ pF}$ , $f = 1\text{ MHz}$ ; see Figure 20
Channel-to-Channel Crosstalk	80		dB typ	$R_L = 50\ \Omega$ , $C_L = 5\text{ pF}$ , $f = 1\text{ MHz}$ ; see Figure 21
−3 dB Bandwidth	500		MHz typ	$R_L = 50\ \Omega$ , $C_L = 5\text{ pF}$ ; see Figure 22
$C_S$ (Off)	5		pF typ	$f = 1\text{ MHz}$ , $V_S = 6\text{ V}$
$C_D$ (Off)				
ADG1308	10		pF typ	$f = 1\text{ MHz}$ , $V_S = 6\text{ V}$
ADG1309	15		pF typ	$f = 1\text{ MHz}$ , $V_S = 6\text{ V}$
$C_D$ , $C_S$ (On)				
ADG1308	20		pF typ	$f = 1\text{ MHz}$ , $V_S = 6\text{ V}$
ADG1309	15		pF typ	$f = 1\text{ MHz}$ , $V_S = 6\text{ V}$
<b>POWER REQUIREMENTS</b>				
$I_{DD}$	0.002		$\mu\text{A}$ typ	$V_{DD} = 13.2\text{ V}$
		1.0	$\mu\text{A}$ max	Digital inputs = $0\text{ V}$ or $V_{DD}$
$I_{DD}$	220		$\mu\text{A}$ typ	Digital inputs = 5
		380	$\mu\text{A}$ max	
$V_{DD}$		5/16.5	V min/V max	$V_{SS} = 0\text{ V}$ , $GND = 0\text{ V}$

<sup>1</sup> Temperature range for the B version is  $-40^\circ\text{C}$  to  $+105^\circ\text{C}$ .

<sup>2</sup> Guaranteed by design; not subject to production test.

## ABSOLUTE MAXIMUM RATINGS

T<sub>A</sub> = 25°C, unless otherwise noted.

**Table 3.**

Parameter	Rating
V <sub>DD</sub> to V <sub>SS</sub>	35 V
V <sub>DD</sub> to GND	-0.3 V to +25 V
V <sub>SS</sub> to GND	+0.3 V to -25 V
Analog, Digital Inputs <sup>1</sup>	V <sub>SS</sub> - 0.3 V to V <sub>DD</sub> + 0.3 V or 30 mA (whichever occurs first)
Continuous Current, S or D pins	30 mA
Peak Current, S or D pins (Pulsed at 1 ms, 10% Duty Cycle Maximum)	100 mA
Operating Temperature Range	
Industrial (B Version)	-40°C to +105°C
Storage Temperature Range	-65°C to +150°C
Junction Temperature	150°C
TSSOP, θ <sub>JA</sub> , Thermal Impedance	112°C/W
16-Lead SOIC, θ <sub>JA</sub> , Thermal Impedance	77°C/W
Reflow Soldering Peak Temperature (Pb-free)	260 (+0/-5)°C

<sup>1</sup> Overvoltages at A, EN, S, or D pins are clamped by internal diodes. Current should be limited to the maximum ratings provided.

Stresses above those listed under Absolute Maximum Ratings may cause permanent damage to the device. This is a stress rating only; functional operation of the device at these or any other conditions above those indicated in the operational section of this specification is not implied. Exposure to absolute maximum rating conditions for extended periods may affect device reliability.

### ESD CAUTION

ESD (electrostatic discharge) sensitive device. Electrostatic charges as high as 4000V readily accumulate on the human body and test equipment and can discharge without detection. Although this product features proprietary ESD protection circuitry, permanent damage may occur on devices subjected to high energy electrostatic discharges. Therefore, proper ESD precautions are recommended to avoid performance degradation or loss of functionality.



## PIN CONFIGURATIONS AND FUNCTION DESCRIPTIONS

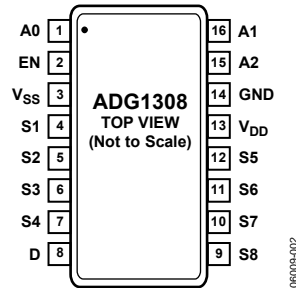


Figure 2. ADG1308 Pin Configuration (TSSOP and SOIC\_N)

Table 4. ADG1308 Pin Function Descriptions

Pin Number	Mnemonic	Description
1	A0	Logic Control Input A0.
2	EN	Active High Digital Input. When low, the device is disabled and all switches are off. When high, Ax logic inputs determine on switches.
3	V <sub>SS</sub>	Most Negative Power Supply Potential. In single supply applications, this pin can be connected to ground.
4	S1	Source Terminal 1. Can be an input or an output.
5	S2	Source Terminal 2. Can be an input or an output.
6	S3	Source Terminal 3. Can be an input or an output.
7	S4	Source Terminal 4. Can be an input or an output.
8	D	Drain Terminal. Can be an input or an output.
9	S8	Source Terminal 8. Can be an input or an output.
10	S7	Source Terminal 7. Can be an input or an output.
11	S6	Source Terminal 6. Can be an input or an output.
12	S5	Source Terminal 5. Can be an input or an output.
13	V <sub>DD</sub>	Most Positive Power Supply Potential.
14	GND	Ground (0 V) Reference.
15	A2	Logic Control Input A2.
16	A1	Logic Control Input A1.

## ADG1308 TRUTH TABLE

Table 5.

A2	A1	A0	EN	ON SWITCH
X <sup>1</sup>	X <sup>1</sup>	X <sup>1</sup>	0	NONE
0	0	0	1	1
0	0	1	1	2
0	1	0	1	3
0	1	1	1	4
1	0	0	1	5
1	0	1	1	6
1	1	0	1	7
1	1	1	1	8

<sup>1</sup> X = Don't care.

# ADG1308/ADG1309

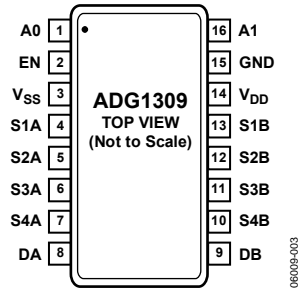


Figure 3. ADG1309 Pin Configuration (TSSOP and SOIC\_N)

Table 6. ADG1309 Pin Function Descriptions

Pin Number SOIC/TSSOP	Mnemonic	Description
1	A0	Logic Control Input A0.
2	EN	Active High Digital Input. When low, the device is disabled and all switches are off. When high, Ax logic inputs determine on switches.
3	V <sub>SS</sub>	Most Negative Power Supply Potential. In single supply applications, this pin can be connected to ground.
4	S1A	Source Terminal 1A. Can be an input or an output.
5	S2A	Source Terminal 2A. Can be an input or an output.
6	S3A	Source Terminal 3A. Can be an input or an output.
7	S4A	Source Terminal 4A. Can be an input or an output.
8	DA	Drain Terminal A. Can be an input or an output.
9	DB	Drain Terminal B. Can be an input or an output.
10	S4B	Source Terminal 4B. Can be an input or an output.
11	S3B	Source Terminal 3B. Can be an input or an output.
12	S2B	Source Terminal 2B. Can be an input or an output.
13	S1B	Source Terminal 1B. Can be an input or an output.
14	V <sub>DD</sub>	Most Positive Power Supply Potential.
15	GND	Ground (0 V) Reference.
16	A1	Logic Control Input A1.

## ADG1309 TRUTH TABLE

Table 7.

AI	A0	EN	ON SWITCH PAIR
X <sup>1</sup>	X <sup>1</sup>	0	NONE
0	0	1	1
0	1	1	2
1	0	1	3
1	1	1	4

<sup>1</sup> X = Don't care.



# TYPICAL PERFORMANCE CHARACTERISTICS

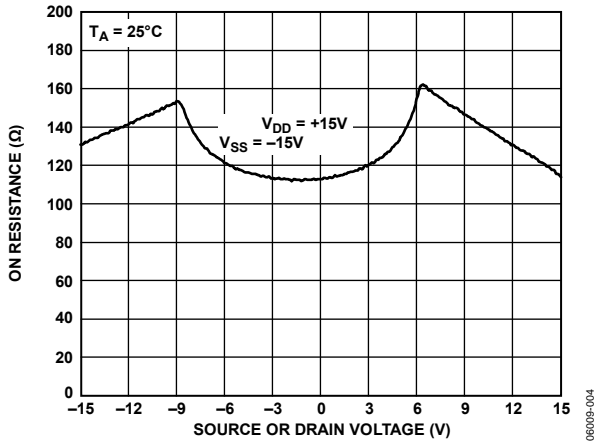


Figure 4. On Resistance as a Function of  $V_D$  ( $V_S$ ) for Dual Supply

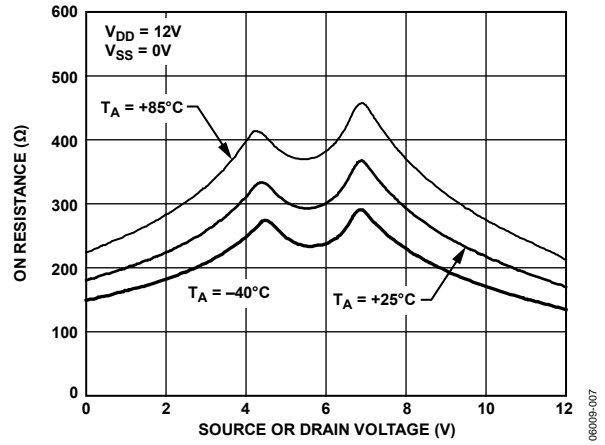


Figure 7. On Resistance as a Function of  $V_D$  ( $V_S$ ) for Different Temperatures, Single Supply

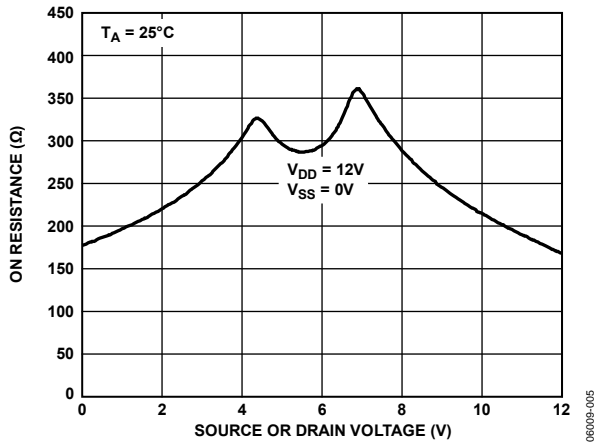


Figure 5. On Resistance as a Function of  $V_D$  ( $V_S$ ) for Single Supply

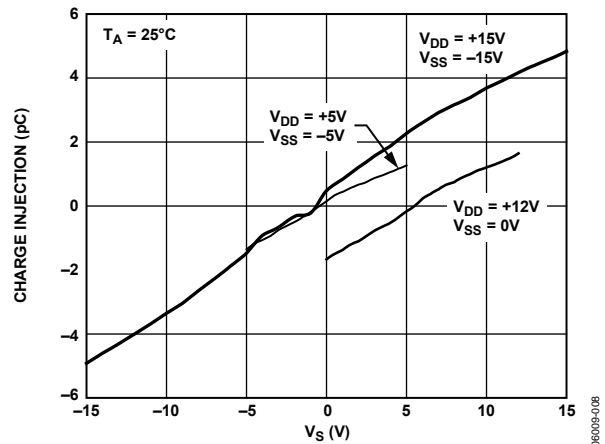


Figure 8. Charge Injection vs. Source Voltage

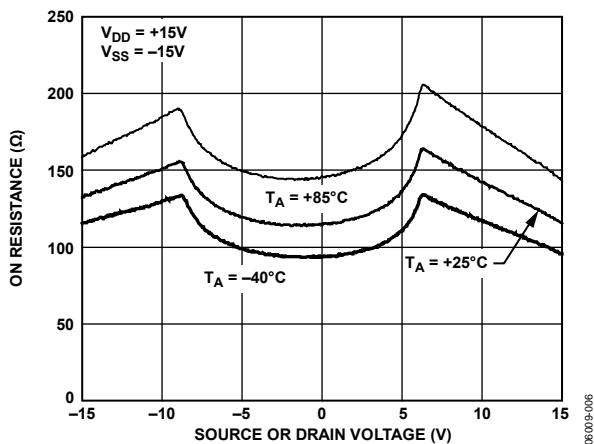


Figure 6. On Resistance as a Function of  $V_D$  ( $V_S$ ) for Different Temperatures, Dual Supply

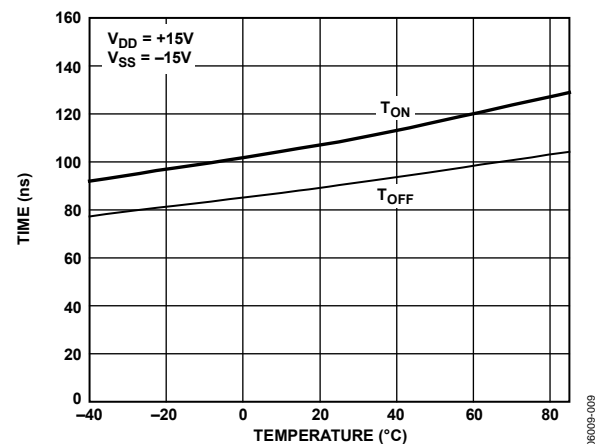


Figure 9.  $T_{ON}/T_{OFF}$  Time vs. Temperature

# ADG1308/ADG1309

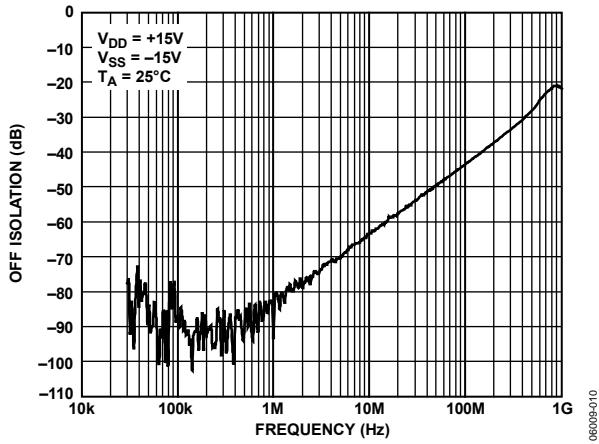


Figure 10. Off Isolation vs. Frequency

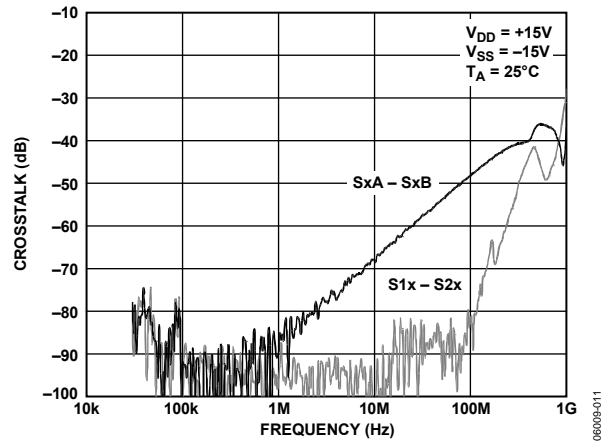


Figure 12. Crosstalk vs. Frequency

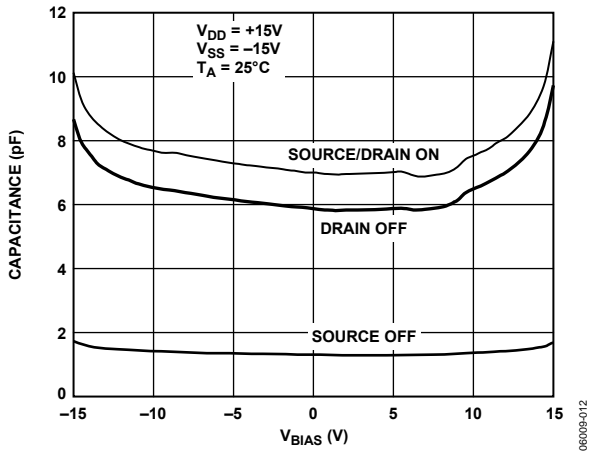


Figure 11. ADG1308 Capacitance vs. Source Voltage,  $\pm 15 V$  Dual Supply

# TEST CIRCUITS

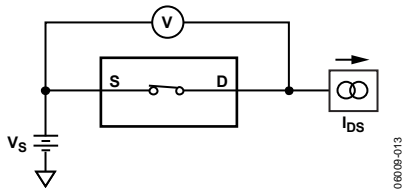


Figure 13. On Resistance

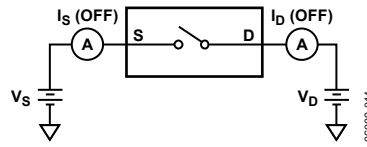


Figure 14. Off Leakage

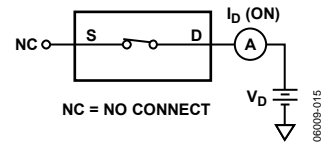


Figure 15. On Leakage

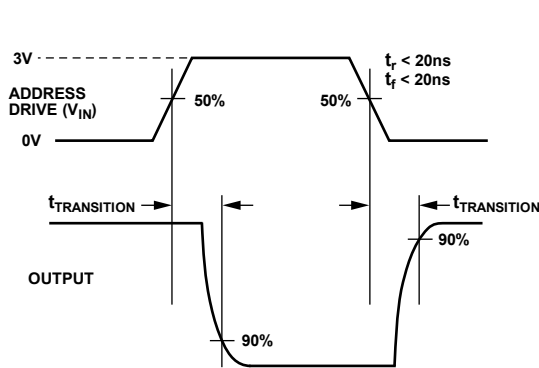
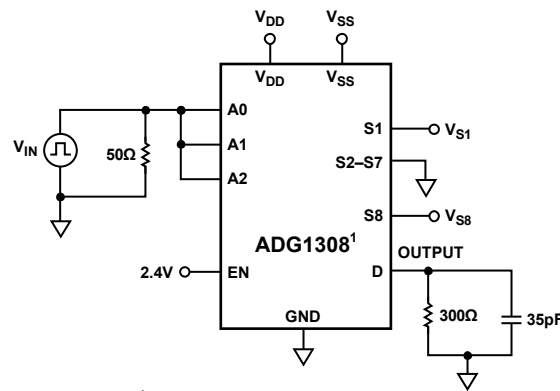


Figure 16. Address to Output Switching Times,  $t_{TRANSITION}$



<sup>1</sup>SIMILAR CONNECTION FOR ADG1309.

06009-016

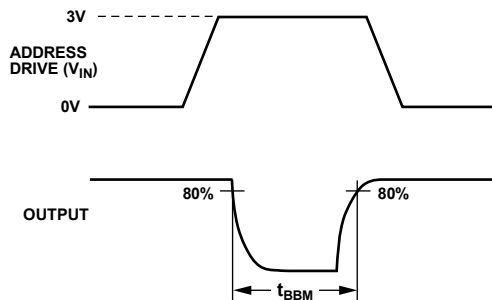
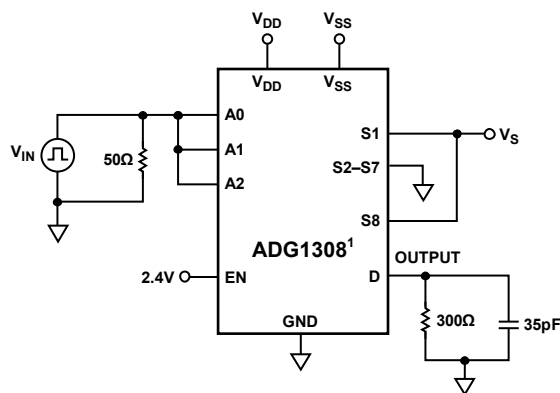


Figure 17. Break-Before-Make Delay,  $t_{BBM}$



<sup>1</sup>SIMILAR CONNECTION FOR ADG1309.

06009-017

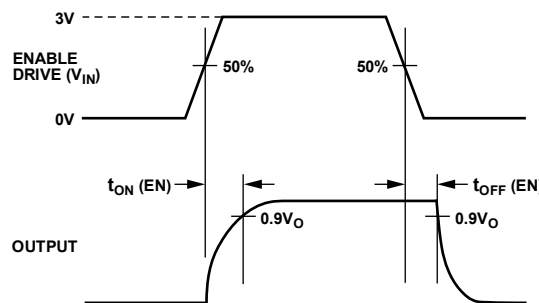
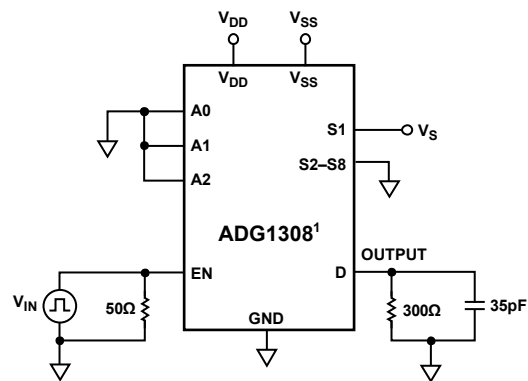


Figure 18. Enable Delay,  $t_{ON} (EN)$ ,  $t_{OFF} (EN)$



<sup>1</sup>SIMILAR CONNECTION FOR ADG1309.

06009-018

# ADG1308/ADG1309

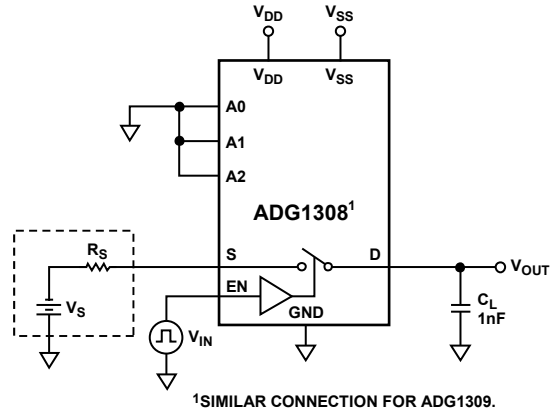
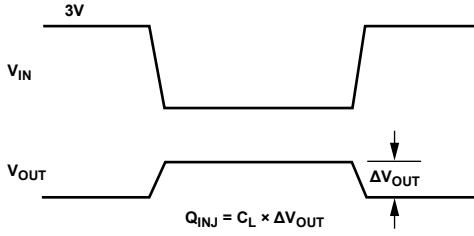


Figure 19. Charge Injection

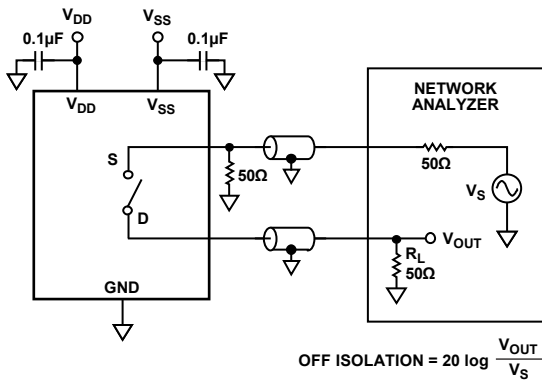


Figure 20. Off Isolation

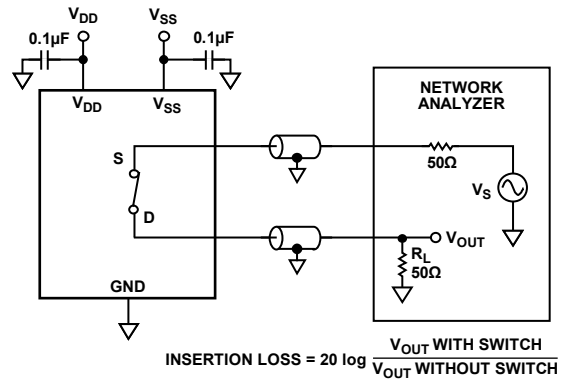


Figure 22. Bandwidth

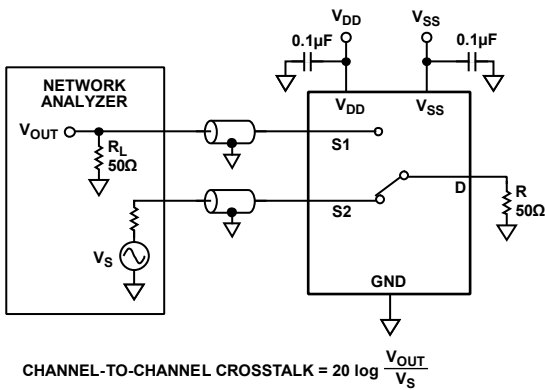


Figure 21. Channel-to-Channel Crosstalk

## TERMINOLOGY

### $R_{ON}$

Ohmic resistance between D and S.

### $\Delta R_{ON}$

Difference between the  $R_{ON}$  of any two channels.

### $I_S$ (Off)

Source leakage current when the switch is off.

### $I_D$ (Off)

Drain leakage current when the switch is off.

### $I_D, I_S$ (On)

Channel leakage current when the switch is on.

### $V_D$ ( $V_S$ )

Analog voltage on Terminal D and Terminal S.

### $C_S$ (Off)

Channel input capacitance for off condition.

### $C_D$ (Off)

Channel output capacitance for off condition.

### $C_D, C_S$ (On)

On switch capacitance.

### $C_{IN}$

Digital input capacitance.

### $t_{ON}$ (EN)

Delay time between the 50% and 90% points of the digital input and switch on condition.

### $t_{OFF}$ (EN)

Delay time between the 50% and 90% points of the digital input and switch off condition.

### $t_{TRANSITION}$

Delay time between the 50% and 90% points of the digital inputs and the switch on condition when switching from one address state to another.

### $T_{BBM}$

Off time measured between the 80% point of both switches when switching from one address state to another.

### $V_{INL}$

Maximum input voltage for Logic 0.

### $V_{INH}$

Minimum input voltage for Logic 1.

### $I_{INL}$ ( $I_{INH}$ )

Input current of the digital input.

### $I_{DD}$

Positive supply current.

### $I_{SS}$

Negative supply current.

### Off Isolation

A measure of unwanted signal coupling through an off channel.

### Charge Injection

A measure of the glitch impulse transferred from the digital input to the analog output during switching.

### Bandwidth

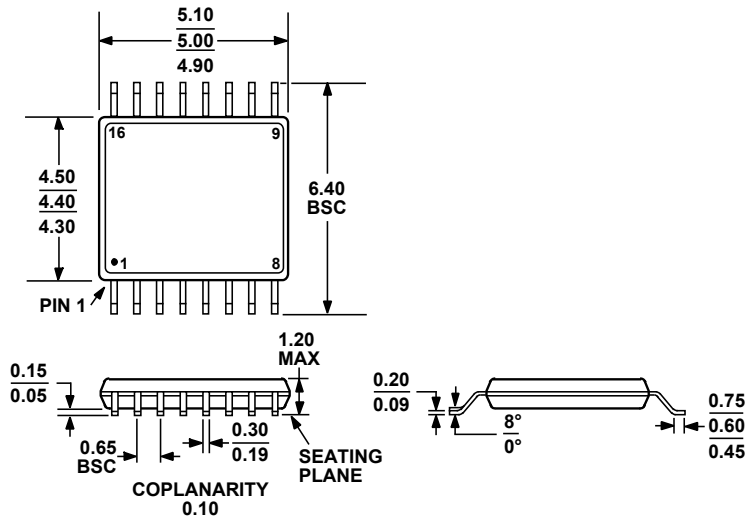
The frequency at which the output is attenuated by 3 dB.

### On Response

The frequency response of the on switch.

# ADG1308/ADG1309

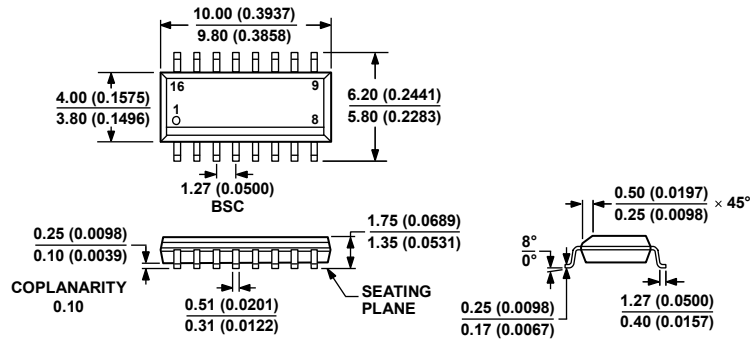
## OUTLINE DIMENSIONS



COMPLIANT TO JEDEC STANDARDS MO-153-AB

Figure 23. 16-Lead Thin Shrink Small Outline Package [TSSOP]  
(RU-16)

Dimensions shown in millimeters



COMPLIANT TO JEDEC STANDARDS MS-012-AC

CONTROLLING DIMENSIONS ARE IN MILLIMETERS; INCH DIMENSIONS  
(IN PARENTHESES) ARE ROUNDED-OFF MILLIMETER EQUIVALENTS FOR  
REFERENCE ONLY AND ARE NOT APPROPRIATE FOR USE IN DESIGN.

Figure 24. 16-Lead Standard Small Outline Package [SOIC\_N]  
Narrow Body

(R-16)

Dimensions shown in millimeters and (inches)

060606-A

## ORDERING GUIDE

Model	Temperature Range	Package Description	Package Option
ADG1308BRUZ <sup>1</sup>	-40°C to +105°C	16-Lead Thin Shrink Small Outline Package [TSSOP]	RU-16
ADG1308BRUZ-REEL7 <sup>1</sup>	-40°C to +105°C	16-Lead Thin Shrink Small Outline Package [TSSOP]	RU-16
ADG1308BRZ <sup>1</sup>	-40°C to +105°C	16-Lead Narrow Body Small Outline Package [SOIC_N]	R-16
ADG1308BRZ-REEL7 <sup>1</sup>	-40°C to +105°C	16-Lead Narrow Body Small Outline Package [SOIC_N]	R-16
ADG1309BRUZ <sup>1</sup>	-40°C to +105°C	16-Lead Thin Shrink Small Outline Package [TSSOP]	RU-16
ADG1309BRUZ-REEL7 <sup>1</sup>	-40°C to +105°C	16-Lead Thin Shrink Small Outline Package [TSSOP]	RU-16
ADG1309BRZ <sup>1</sup>	-40°C to +105°C	16-Lead Narrow Body Small Outline Package [SOIC_N]	R-16
ADG1309BRZ-REEL7 <sup>1</sup>	-40°C to +105°C	16-Lead Narrow Body Small Outline Package [SOIC_N]	R-16

<sup>1</sup> Z = RoHS Compliant Part.

**NOTES**

**NOTES**





Компания «ЭлектроПласт» предлагает заключение долгосрочных отношений при поставках импортных электронных компонентов на взаимовыгодных условиях!

Наши преимущества:

- Оперативные поставки широкого спектра электронных компонентов отечественного и импортного производства напрямую от производителей и с крупнейших мировых складов;
- Поставка более 17-ти миллионов наименований электронных компонентов;
- Поставка сложных, дефицитных, либо снятых с производства позиций;
- Оперативные сроки поставки под заказ (от 5 рабочих дней);
- Экспресс доставка в любую точку России;
- Техническая поддержка проекта, помощь в подборе аналогов, поставка прототипов;
- Система менеджмента качества сертифицирована по Международному стандарту ISO 9001;
- Лицензия ФСБ на осуществление работ с использованием сведений, составляющих государственную тайну;
- Поставка специализированных компонентов (Xilinx, Altera, Analog Devices, Intersil, Interpoint, Microsemi, Aeroflex, Peregrine, Syfer, Eurofarad, Texas Instrument, Miteq, Cobham, E2V, MA-COM, Hittite, Mini-Circuits, General Dynamics и др.);

Помимо этого, одним из направлений компании «ЭлектроПласт» является направление «Источники питания». Мы предлагаем Вам помощь Конструкторского отдела:

- Подбор оптимального решения, техническое обоснование при выборе компонента;
- Подбор аналогов;
- Консультации по применению компонента;
- Поставка образцов и прототипов;
- Техническая поддержка проекта;
- Защита от снятия компонента с производства.



#### Как с нами связаться

**Телефон:** 8 (812) 309 58 32 (многоканальный)

**Факс:** 8 (812) 320-02-42

**Электронная почта:** [org@eplast1.ru](mailto:org@eplast1.ru)

**Адрес:** 198099, г. Санкт-Петербург, ул. Калинина, дом 2, корпус 4, литера А.