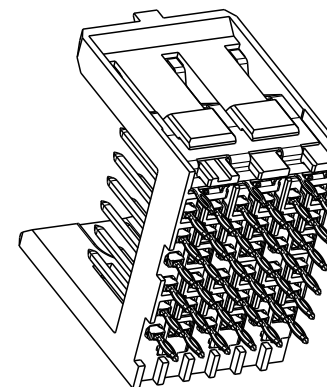
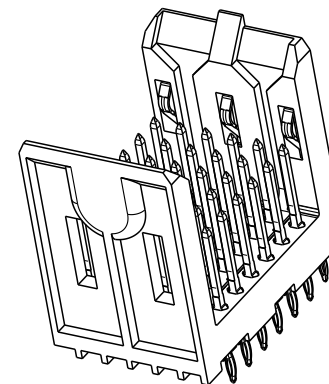
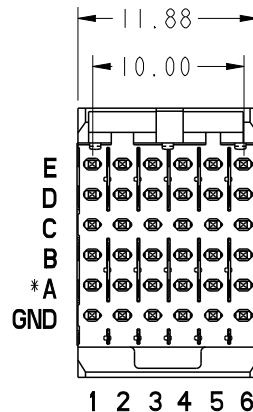
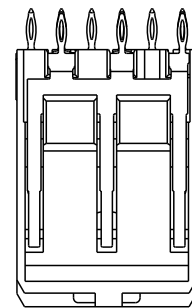
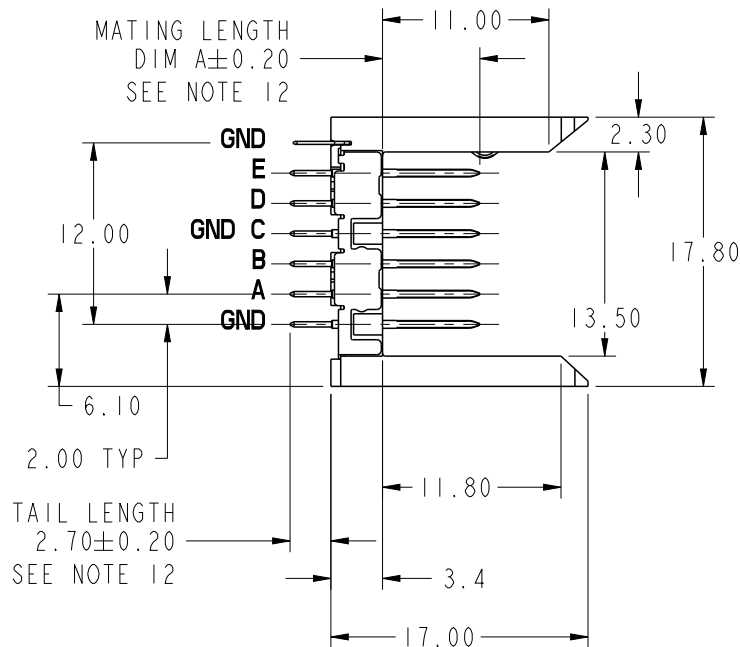


PRODUCT NUMBER

55003-X 01 ZZZ LF

"LEAD FREE" (OPTIONAL)  
 SPECIAL LOAD PATTERN  
 SEE SHEET 4  
 SIZE (1 MOD)  
 PLATING PERFORMANCE  
 LEVEL, SEE SHEET 2  
 BASE NUMBER

MATING LENGTH  
 DIM A ±0.20  
 SEE NOTE 12



**\*ROW C INFORMATION**  
 ODD NUMBER COLUMNS WITHIN ROW C ARE COMMONED TO GROUND INTERNALLY WITHIN THE HOUSING. THE EVEN NUMBER COLUMNS WITHIN ROW C ARE NOT. FOR MAXIMUM PERFORMANCE IT IS RECOMMENDED THESE EVEN COLUMNS BE GROUND COMMONED WITHIN PCB. SEE NOTE 11

|                                       |       |                               |             |   |        |                      |           |
|---------------------------------------|-------|-------------------------------|-------------|---|--------|----------------------|-----------|
| spec ref -                            |       | dr P-Mathew Nebu 2011/05/19   |             | projection<br>  | mm<br> | size A4              | scale 2:1 |
| tolerance std ISO 406 ISO 1101        |       | eng Stalin Alosius 2014/07/24 |             |   |        | ecn no ELX-I-17886-1 |           |
| TOLERANCES UNLESS OTHERWISE SPECIFIED |       | chr -                         |             |   |        | rel level Released   |           |
| surface ISO 1302                      |       | appr K-Paul Biju 2014/07/24   |             | product family METRAL 4000  |        | rev M                |           |
| linear                                | 0.X   | ±0.3                          |             | title VERTICAL SIGNAL HDR 5 ROW<br>P.F. 30 POS. SPECIAL LOAD STD. |        | dwg no 55003         |           |
|                                       | 0.XX  | ±0.13                         |             |   |        |                      |           |
|                                       | 0.XXX | ±0.051                        |             |   |        |                      |           |
| angular                               | 0°    | ±2°                           | www.fci.com | cat. no. Product - Customer Drw                                   |        | sheet 1 of 4         |           |



Copyright FCI.

| PRODUCT NUMBER | PLATING PERFORMANCE LEVEL |
|----------------|---------------------------|
| 55003-101ZZZ   | TELCORDIA CO              |
| 55003-101ZZZLF | TELCORDIA CO              |
| 55003-501ZZZ   | TELCORDIA UE              |
| 55003-501ZZZLF | TELCORDIA UE              |
| 55003-901ZZZ   | TELCORDIA CO              |
| 55003-901ZZZLF | TELCORDIA CO              |

NOTES:

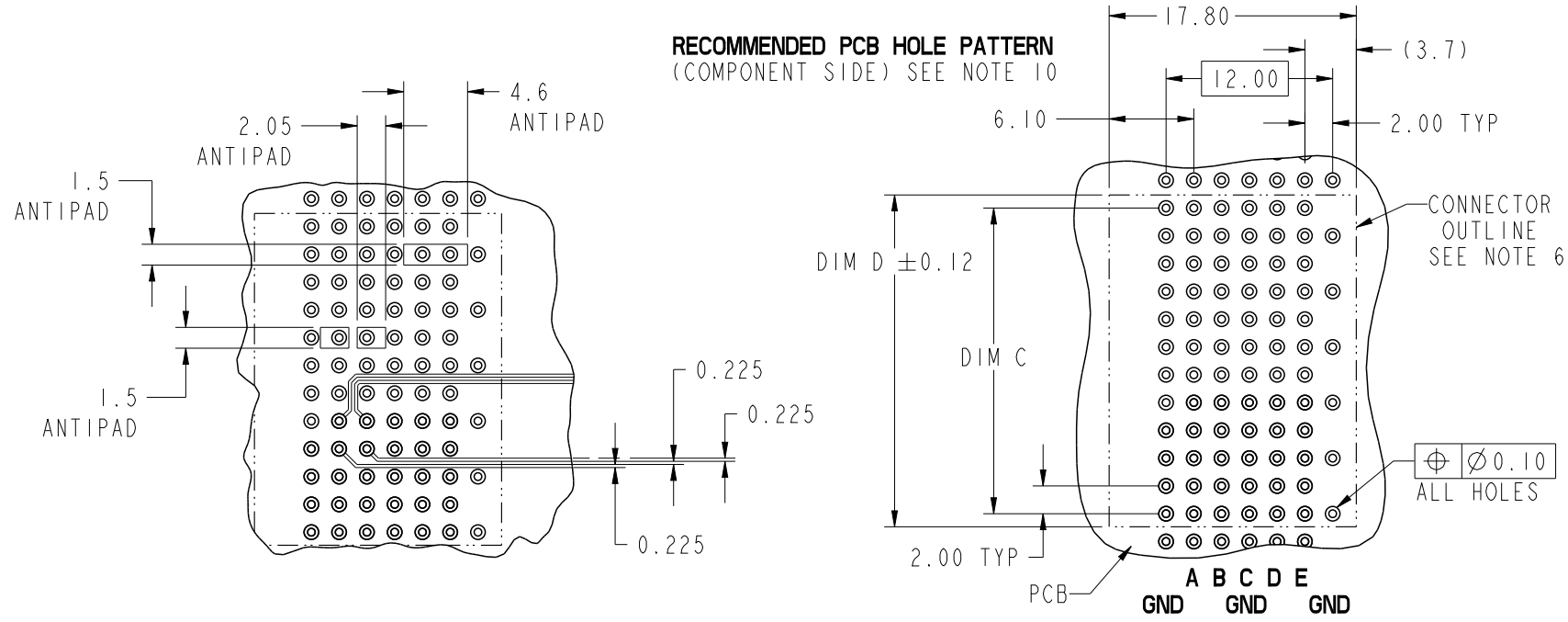
- SEE APPLICATION SPECIFICATION GS-20-014 FOR INFORMATION ON AVAILABLE TOOLING, CIRCUIT BOARD DESIGN CONSIDERATIONS, REPAIR PROCEDURES AND PRODUCT OFFERINGS. SEE PRODUCT SPECIFICATION GS-12-184.
- UNLESS OTHERWISE SPECIFIED, ALL DIMENSIONS AND TOLERANCES ARE IN ACCORDANCE WITH ASME Y14.5, 1994
- HOUSING MATERIAL: LIQUID CRYSTAL POLYMER, 30% GLASS FILLED, FLAME RETARDANT PER UL 94-V0.  
PIN MATERIAL: PHOSPHOR BRONZE  
GROUND SPRING MATERIAL: PHOSPHOR BRONZE  
STRIPLINE SHIELD MATERIAL: PHOSPHOR BRONZE
- DIMENSIONAL RESTRICTIONS OF PINS IN HEADERS.  
FOR USE WITH METRAL 4000 RECEPTACLES.  
DIM A : 5.00mm MIN, 6.50mm MAX FOR ROWS A,B,D,E  
DIM A : 5.00mm MIN, 8.00mm MAX FOR ROWS C  
DIM A : 5.00mm MIN, 5.75mm MAX FOR ROWS GND  
FOR USE WITH METRAL 1000 RECEPTACLES  
DIM A : 5.00mm MIN, 8.00mm MAX FOR ROWS A,B,C,D,E  
DIM A : 5.00mm MIN, 5.75mm MAX FOR ROW GND
- THE MIN PCB THICKNESS FOR FRONT PLUG-UP APPLICATIONS IS 1.6mm.
- THE 'CONNECTOR OUTLINE' IS THE MIN OUTLINE REQUIRED. TO DETERMINE THE OUTLINE NECESSARY TO PERMIT THE VARIOUS TYPES OF REPAIR OPERATIONS, SEE APPLICATION SPECIFICATION GS-20-010.
- CURRENT RATING : 1 AMP PER PIN
- TEMPERATURE RANGE : -55°C TO +105°C
- P/N 55003-X01ZZZ SHOWN.
- AVOID TRACES ON TOP OF BOARD DUE TO EXPOSED GROUND SHIELD.
- FOR FRONT PLUG-UP APPLICATIONS, THE EVEN NUMBERED PINS IN ROW "C" CAN BE USED FOR POWER AS WELL AS FOR GROUND. IF THE SURROUNDING PINS ARE NOT USED FOR POWER, THEN EACH PIN CAN CARRY 3 AMPS. IF THE SURROUNDING PINS ARE USED FOR POWER, THEN EACH PIN CAN CARRY 1 AMP. WHEN THE SURROUNDING PINS ARE USED ONLY FOR LOW SPEED SIGNALS, THEN THE EVEN NUMBERED "C" ROW PINS CAN ALSO BE USED FOR LOW SPEED SIGNALS.
- AFTER INSERTION INTO, CIRCUIT BOARD WITH QUALIFIED TOOL.
- PRODUCTS WHERE THE PART NUMBER ENDS IN 'LF' MEET EUROPEAN UNION DIRECTIVES AND OTHER COUNTRY REGULATIONS AS DESCRIBED IN GS-22-008. ALL PRODUCTS WILL WITHSTAND EXPOSURE TO 260°C FOR 60 SECONDS IN A CONVECTION, INFRA-RED OR VAPOR PHASE REFLOW OVEN.
- FOR LEAD FREE PART NUMBERS, ADD AN 'LF' SUFFIX. EXAMPLE: 55003-X01002LF.
- PLATING INFORMATION: PLATING ON CONTACT AREA MEETS THE PERFORMANCE LEVELS SHOWN IN TABLE ON THIS SHEET. PLATING ON "LF" TAILS IN Sn. PLATING ON ALL OTHER TAILS IS SnPb. EQUIVALENT PRECIOUS METAL PLATING MAY BE SUBSTITUTED.

|               |                                       |      |                |            |                |                           |           |       |               |        |
|---------------|---------------------------------------|------|----------------|------------|----------------|---------------------------|-----------|-------|---------------|--------|
| spec ref      | -                                     | dr   | P-Mathew Nebu  | 2011/05/19 | projection     | mm                        | size      | A4    | scale         | 2:1    |
| tolerance std | TOLERANCES UNLESS OTHERWISE SPECIFIED | eng  | Stalin Alosius | 2014/07/24 |                |                           | ecn no    |       | ELX-I-17886-1 |        |
| ISO 406       |                                       | chr  | -              | -          |                |                           | rel level |       | Released      |        |
| ISO 1101      |                                       | appr | K-Paul Biju    | 2014/07/24 | product family | METRAL 4000               |           | rev   |               | M      |
| surface       | linear                                | 0.X  | ±0.3           |            | title          | VERTICAL SIGNAL HDR 5 ROW | dwg no    | 55003 | sheet         | 2 of 4 |
| ISO 1302      |                                       | 0.XX | ±0.13          |            |                |                           |           |       |               |        |
|               | angular                               | 0°   | ±2°            |            |                |                           |           |       |               |        |

PRODUCT NUMBER  
SEE SHEETS 1, 2, 4

| PRESS-FIT HOLES          | OPTION 1<br>SnPb PLATING | OPTION 2<br>Sn PLATING | OPTION 3<br>COPPER   | OPTION 4<br>IMMERSION Ag |
|--------------------------|--------------------------|------------------------|----------------------|--------------------------|
| FINISHED HOLE DIAMETER   | 0.45-0.55                | 0.46-0.55              | 0.48-0.57            | 0.48-0.57                |
| DRILLED HOLE SIZE        | 0.60±0.02                | 0.60±0.02              | 0.60±0.02            | 0.60±0.02                |
| COPPER PLATING THICKNESS | 0.025 MIN-0.050 MAX.     | 0.025 MIN-0.050 MAX.   | 0.025 MIN-0.050 MAX. | 0.025 MIN-0.050 MAX.     |
| HOLE PLATING             | 0.005-0.015<br>SnPb      | 0.0008-0.0012<br>Sn    | NONE                 | .0002 - .0006<br>Ag      |

**RECOMMENDED PCB HOLE PATTERN**  
(COMPONENT SIDE) SEE NOTE 10



RECOMMENDED TRACK AND ANTIPAD DIMENSIONS  
SCALE 2:1

|                                       |                     |          |                |            |                                |             |              |               |          |     |     |
|---------------------------------------|---------------------|----------|----------------|------------|--------------------------------|-------------|--------------|---------------|----------|-----|-----|
| spec ref                              | -                   | dr       | P-Mathew Nebu  | 2011/05/19 | projection                     | mm          | size         | A4            | scale    | 1:1 |     |
| tolerance std                         | ISO 406<br>ISO 1101 | eng      | Stalin Alosius | 2014/07/24 |                                |             | ecn no       | ELX-I-17886-1 |          |     |     |
| TOLERANCES UNLESS OTHERWISE SPECIFIED |                     | chr      | -              | -          |                                |             |              | rel level     | Released |     |     |
| surface                               | ISO 1302            | appr     | K-Paul Biju    | 2014/07/24 | product family                 | METRAL 4000 |              | rev           |          |     |     |
| linear                                | 0.X                 | ±0.3     |                | title      | VERTICAL SIGNAL HDR 5 ROW      |             |              | dwg no        | 55003    |     | rev |
|                                       | 0.XX                | ±0.13    |                |            | P.F. 30 POS. SPECIAL LOAD STD. |             |              |               | M        |     |     |
| 0.XXX                                 | ±0.051              | cat. no. |                |            | Product - Customer Drw         |             | sheet 3 of 4 |               |          |     |     |
| angular                               | 0°                  | ±2°      | www.fci.com    |            |                                |             |              |               |          |     |     |



Copyright FCI.

ProjE File - REV C - 2009-06-09

SPECIAL LOAD PATTERNS

| PRODUCT #  | ROW | PIN CODES |
|--|-----|-----------|
| 55003-X01002<br>SEE NOTE 14<br>LEAD FREE<br>OPTION | E   | 03        |
|  | D   |           |
|  | C   |           |
|  | B   |           |
|  | A   |           |
|  | GND | 02        |

| PRODUCT #  | ROW | PIN CODES |
|--|-----|-----------|
| 55003-X01005<br>SEE NOTE 14<br>LEAD FREE<br>OPTION | E   | 01        |
|  | D   |           |
|  | C   |           |
|  | B   |           |
|  | A   |           |
|  | GND |           |

| DIM A | PIN CODES |
|-------|-----------|
| 5.00  | 01        |
| 5.75  | 02        |
| 6.50  | 03        |
| 7.25  | 04        |
| 8.00  | *19       |

\* CURRENTLY NOT AVAILABLE

| PRODUCT #  | ROW | PIN CODES |
|--|-----|-----------|
| 55003-X01003<br>SEE NOTE 14<br>LEAD FREE<br>OPTION | E   | 02        |
|  | D   |           |
|  | C   |           |
|  | B   |           |
|  | A   |           |
|  | GND |           |

| PRODUCT #  | ROW | PIN CODES |
|--|-----|-----------|
| 55003-X01004<br>SEE NOTE 14<br>LEAD FREE<br>OPTION | E   | 02        |
|  | D   |           |
|  | C   |           |
|  | B   |           |
|  | A   |           |
|  | GND | NONE      |



Copyright FCI.

|   |         |                                      |        |                            |   |                           |              |  |
|---|---------|--------------------------------------|--------|----------------------------|---|---------------------------|--------------|--|
| spec ref -                                  |         | dr <b>P-Mathew Nebu</b> 2011/05/19   |        | projection<br>             | mm<br>  | size A4                   | scale 1:1    |  |
| tolerance std<br>ISO 406<br>ISO 1101        |         | eng <b>Stalin Alosius</b> 2014/07/24 |        |                            |   | ecn no ELX-I-17886-1      |              |  |
| TOLERANCES UNLESS OTHERWISE SPECIFIED       |         | chr -                                |        |                            |   | rel level <b>Released</b> |              |  |
| surface <input checked="" type="checkbox"/> |         | appr <b>K-Paul Biju</b> 2014/07/24   |        | product family METRAL 4000 |   | rev                       |              |  |
| ISO 1302                                    | linear  | 0.X                                  | ±0.3   |                            | title VERTICAL SIGNAL HDR 5 ROW<br>P.F. 30 POS. SPECIAL LOAD STD. | dwg no 55003              | M            |  |
|   |         | 0.XX                                 | ±0.13  |                            |   |                           |              |  |
|   |         | 0.XXX                                | ±0.051 |                            |   |                           |              |  |
|   | angular | 0°                                   | ±2°    | www.fci.com                | cat. no.  | Product - Customer Drw    | sheet 4 of 4 |  |



Компания «ЭлектроПласт» предлагает заключение долгосрочных отношений при поставках импортных электронных компонентов на взаимовыгодных условиях!

Наши преимущества:

- Оперативные поставки широкого спектра электронных компонентов отечественного и импортного производства напрямую от производителей и с крупнейших мировых складов;
- Поставка более 17-ти миллионов наименований электронных компонентов;
- Поставка сложных, дефицитных, либо снятых с производства позиций;
- Оперативные сроки поставки под заказ (от 5 рабочих дней);
- Экспресс доставка в любую точку России;
- Техническая поддержка проекта, помощь в подборе аналогов, поставка прототипов;
- Система менеджмента качества сертифицирована по Международному стандарту ISO 9001;
- Лицензия ФСБ на осуществление работ с использованием сведений, составляющих государственную тайну;
- Поставка специализированных компонентов (Xilinx, Altera, Analog Devices, Intersil, Interpoint, Microsemi, Aeroflex, Peregrine, Syfer, Eurofarad, Texas Instrument, Miteq, Cobham, E2V, MA-COM, Hittite, Mini-Circuits, General Dynamics и др.);

Помимо этого, одним из направлений компании «ЭлектроПласт» является направление «Источники питания». Мы предлагаем Вам помощь Конструкторского отдела:

- Подбор оптимального решения, техническое обоснование при выборе компонента;
- Подбор аналогов;
- Консультации по применению компонента;
- Поставка образцов и прототипов;
- Техническая поддержка проекта;
- Защита от снятия компонента с производства.



#### Как с нами связаться

**Телефон:** 8 (812) 309 58 32 (многоканальный)

**Факс:** 8 (812) 320-02-42

**Электронная почта:** [org@eplast1.ru](mailto:org@eplast1.ru)

**Адрес:** 198099, г. Санкт-Петербург, ул. Калинина, дом 2, корпус 4, литера А.