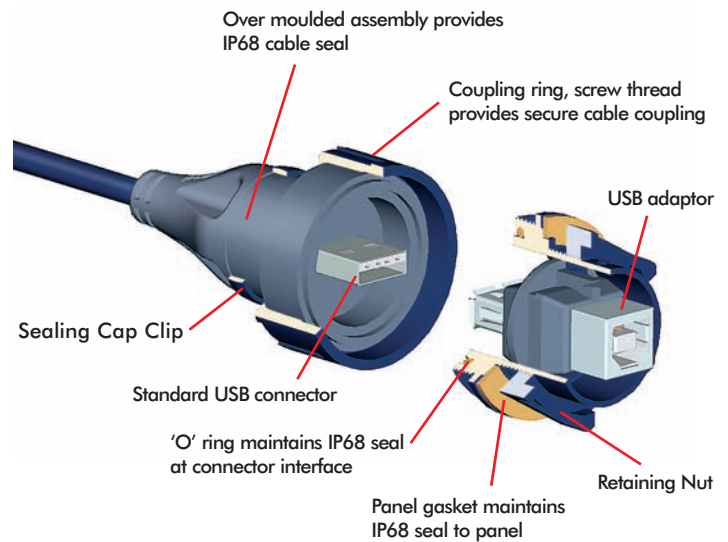


# USB Buccaneer®

IP68



- IP68 rated
- USB version 2.0 performance
- Plug and play capability
- Visual mating indication
- Shielded system
- Single and double ended cables
- Screw coupling
- PCB versions
- ▶ Dust and waterproof sealing when mated
- ▶ Low and high speed bus connection, 1.5Mbps to 480Mbps
- ▶ Hot pluggable, standard 4 pole interface
- ▶ Alignment indicator reduces risk of damage during mating
- ▶ High noise immunity and EMI protection
- ▶ Suitable for PC and peripheral configuration
- ▶ Secure, proven locking system
- ▶ Direct mounting or via adaptor leads

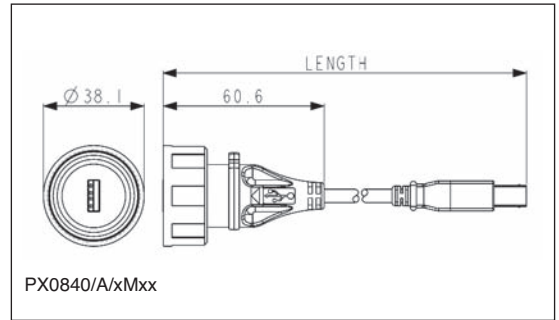
**SEALED USB CABLES - SINGLE ENDED**



PX0840/A

Single ended sealed cable assembly

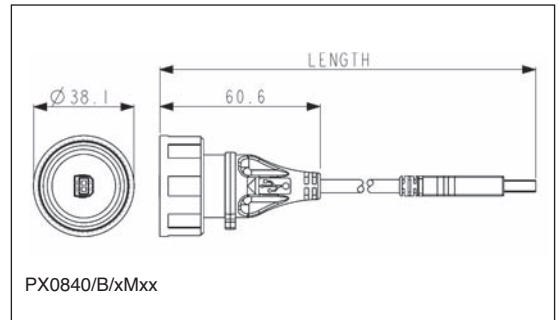
- IP68 'A' type USB connector to standard 'B' type USB connector, mates with all panel mount connectors
- IP68 'B' type USB connector to standard 'A' type USB connector, mates with all panel mount connectors
- Available in 2m, 3m and 5m lengths



PX0840/A/xMxx



PX0840/B



PX0840/B/xMxx

| Part No.      | Length | Description                            |
|---------------|--------|----------------------------------------|
| PX0840/A/2M00 | 2m     | IP68 A type USB to standard B type USB |
| PX0840/A/3M00 | 3m     | IP68 A type USB to standard B type USB |
| PX0840/A/5M00 | 5m     | IP68 A type USB to standard B type USB |
| PX0840/B/2M00 | 2m     | IP68 B type USB to standard A type USB |
| PX0840/B/3M00 | 3m     | IP68 B type USB to standard A type USB |
| PX0840/B/5M00 | 5m     | IP68 B type USB to standard A type USB |

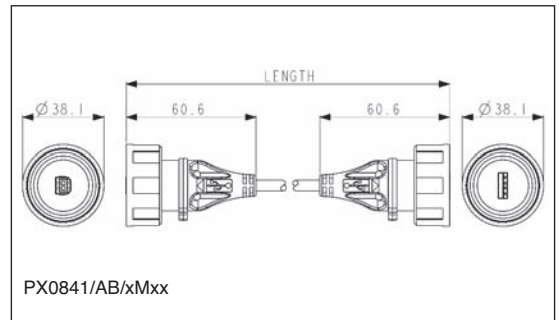
**SEALED USB CABLES - DOUBLE ENDED**



PX0841/AB

Double ended sealed cable assembly

- IP68 'A' type USB connector to IP68 'B' type USB connector
- Mates with all panel mount connectors
- Available in 2m, 3m and 5m lengths



PX0841/AB/xMxx

| Part No.       | Length | Description                        |
|----------------|--------|------------------------------------|
| PX0841/AB/2M00 | 2m     | IP68 A type USB to IP68 B type USB |
| PX0841/AB/3M00 | 3m     | IP68 A type USB to IP68 B type USB |
| PX0841/AB/5M00 | 5m     | IP68 A type USB to IP68 B type USB |

USB Buccaneer®

FRONT PANEL MOUNTING CONNECTOR



- PX0842/A - USB 'A' type IP68 connector
- PX0842/B - USB 'B' type IP68 connector
- Opposite connector to rear of panel
- Mates with PX0840 and PX0841 cable connectors

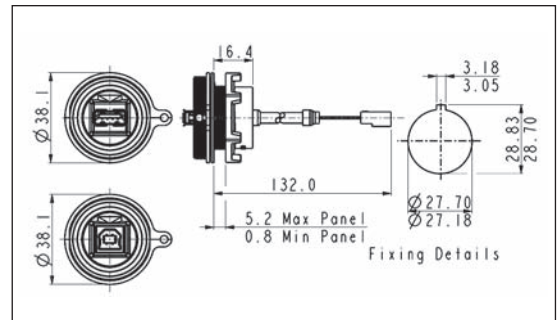


| Part No. | Description                                                                                     |
|----------|-------------------------------------------------------------------------------------------------|
| PX0842/A | IP68 A type USB, front panel mounted. Sealed A type at front of panel, standard B type at rear. |
| PX0842/B | IP68 B type USB, front panel mounted. Sealed B type at front of panel, standard A type at rear. |

FRONT PANEL MOUNTING CONNECTOR



- PX0843/A - USB 'A' type IP68 connector
- PX0843/B - USB 'B' type IP68 connector
- Leaded with 5 way crimp connector
- Mates with PX0840 and PX0841 cable connectors

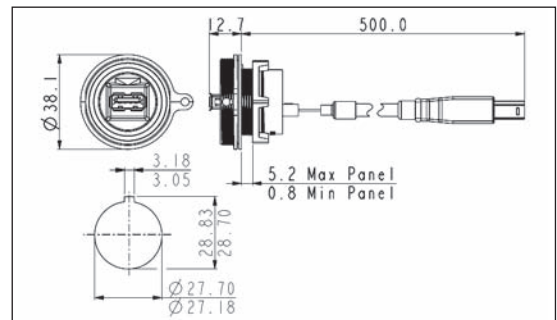


| Part No. | Description                                                                                           |
|----------|-------------------------------------------------------------------------------------------------------|
| PX0843/A | IP68 A type USB, front panel mounted. Sealed A type at front of panel, 5 way crimp connector at rear. |
| PX0843/B | IP68 B type USB, front panel mounted. Sealed B type at front of panel, 5 way crimp connector at rear. |
| PX0460/A | As PX0843/A with exposed braid for use with PX0465 screening can                                      |
| PX0460/B | As PX0843/B with exposed braid for use with PX0465 screening can                                      |

FRONT PANEL MOUNTING CONNECTOR



- IP68 Sealed through panel
- PX0844/A - USB 'A' type IP68 connector
- PX0844/B - USB 'B' type IP68 connector
- Standard USB interface plug options to rear of panel
- 500mm standard cable length, other lengths available
- Mates with PX0840 and PX0841



| Part No.        | Description                                                                                         |
|-----------------|-----------------------------------------------------------------------------------------------------|
| PX0844/A/OM50/A | IP68 A type USB, sealed through panel, Sealed 'A' type at front of panel, standard 'A' type at rear |
| PX0844/A/OM50/B | IP68 A type USB, sealed through panel, Sealed 'A' type at front of panel, standard 'B' type at rear |
| PX0844/B/OM50/A | IP68 B type USB, sealed through panel, Sealed 'B' type at front of panel, standard 'A' type at rear |
| PX0844/B/OM50/B | IP68 B type USB, sealed through panel, Sealed 'B' type at front of panel, standard 'B' type at rear |

BUCCANEER DATA

**USB Buccaneer®**

**REAR PANEL MOUNTING CONNECTOR**



- PX0848/A - USB 'A' type IP68 connector
- PX0848/B - USB 'B' type IP68 connector
- Opposite connector to rear of panel
- Mates with PX0840 and PX0841 cable connectors



| Part No. | Description                                                                                    |
|----------|------------------------------------------------------------------------------------------------|
| PX0848/A | IP68 A type USB, rear panel mounted. Sealed A type at front of panel, standard B type at rear. |
| PX0848/B | IP68 B type USB, rear panel mounted. Sealed B type at front of panel, standard A type at rear. |

**REAR PANEL MOUNTING CONNECTOR**



- PX0849/A - USB 'A' type IP68 connector
- PX0849/B - USB 'B' type IP68 connector
- Leaded with 5 way header
- Mates with PX0840 and PX0841 cable connectors

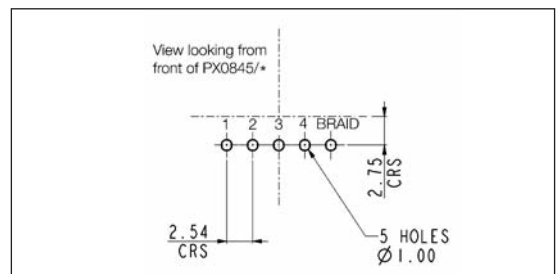


| Part No. | Description                                                                                 |
|----------|---------------------------------------------------------------------------------------------|
| PX0849/A | IP68 A type USB, rear panel mounted. Sealed A type at front of panel, 5 way header at rear. |
| PX0849/B | IP68 B type USB, rear panel mounted. Sealed B type at front of panel, 5 way header at rear. |

**REAR PANEL MOUNTING CONNECTOR - PCB DIRECT MOUNT**



- PX0845/A - USB 'A' type IP68 connector
- PX0845/B - USB 'B' type IP68 connector
- PCB contacts at rear
- Direct PCB mount
- Mates with PX0840 and PX0841 cable connectors



| Part No. | Description                                                                                              |
|----------|----------------------------------------------------------------------------------------------------------|
| PX0845/A | IP68 A type USB, rear panel mounted. Sealed A type at front of panel, direct mount PCB contacts at rear. |
| PX0845/B | IP68 B type USB, rear panel mounted. Sealed B type at front of panel, direct mount PCB contacts at rear. |

BUCCANEER DATA

## USB Buccaneer®

### PCB ADAPTOR LEADS



- Standard A and B type USB connectors to 5 way crimp adaptor leads
- 5 way headers, 2.54mm pitch, horizontal or vertical mounting

| Part No. | Description                           |
|----------|---------------------------------------|
| 14193    | USB 'A' type to 5 way crimp connector |
| 14194    | USB 'B' type to 5 way crimp connector |
| 14191    | 5 way PCB header straight             |
| 14192    | 5 way PCB header right angle          |

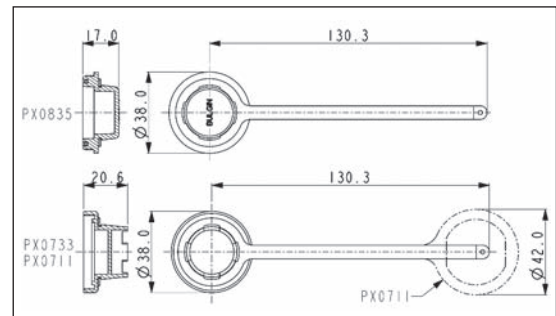


### ACCESSORIES



- Sealing caps to maintain IP68 rating when connectors are not in use
- PX0835 for cable connectors PX0840 & PX0841
- PX0733 for front panel mount connectors PX0842, PX0843 & PX0844
- PX0711 for rear panel mount connectors PX0848, PX0849 & PX0845

| Part No. | Description                                                            |
|----------|------------------------------------------------------------------------|
| PX0835   | Sealing Cap for cable connectors (PX0840, PX0841)                      |
| PX0733   | Sealing Cap for front panel mounting connector (PX0842, PX0843)        |
| PX0711   | Sealing Cap for rear panel mounting connector (PX0848, PX0849, PX0845) |



### USB FLASH DRIVE COVER



- For use with USB Flash Drives
- Maintains IP68 rating when mated with panel connector
- For use with 'A' type connectors: PX0842, PX0843, PX0845, PX0848 & PX0849
- Internal accommodation 17.5 x 14.0 x 83mm approx.



### SCREENING CAN



- Maintains cable screening directly to panel
- Screening can clips around the panel fixing nut
- For use on PX0460/A and PX0460/B



BUCCANEER DATA

**SPECIFICATION**

**Cables & connectors**

**Mechanical**

Sealing IP68, EN60529  
 Operating temperature 0°C to +70°C

**Electrical**

No. of poles 4  
 Current rating 1A  
 Voltage rating 30Vac (RMS)  
 Contact resistance 30mΩ max.  
 Performance USB version 2.0

**Materials - Overmoulded**

Overmould material PVC (black)  
 Flammability rating UL94V-0

**Materials - Re-wireable and Panel Connectors**

Shell material Steel  
 Shell plating Nickel  
 Contact material Copper Alloy  
 Contact plating 30 micro inch Gold  
 Connector body & locking ring Polyester  
 Panel connector Nylon 6  
 Flammability rating UL94V-0  
 'O' rings Silicon  
 Panel Gasket - round Silicon  
 Panel Gasket - square Neoprene  
 Mating cycles 1,000  
**RoHS** Compliant

**Materials - cable**

Cable Jacket PVC (black)  
 Screen Tinned copper braid  
 Flammability UL94V-0  
**RoHS** Compliant

| Length: | Dia   | Conductors |           |
|---------|-------|------------|-----------|
|         |       | Signal     | Power     |
| 2m      | 4.8mm | 2 x 28AWG  | 2 x 24AWG |
| 3m      | 5.0mm | 2 x 28AWG  | 2 x 22AWG |
| 5m      | 5.2mm | 2 x 25AWG  | 2 x 20AWG |

**PCB adaptor leads**

**Electrical**

No. of conductors 4  
 Current rating 1A  
 Voltage rating 30Vac (RMS)  
 Contact resistance <10mΩ max.  
 PCB pitch 2.54mm

**Materials**

Moulding Polycarbonate  
 Flammability UL94V-0  
 Contact material Copper Alloy  
 Contact plating 30 micro inch Gold  
 Wire insulation PVC (black)  
 Flammability UL94-V0  
 Conductors 4 x 28AWG  
 Operating temperature 0°C to +70°C  
 Mating cycles 1,000  
**RoHS** Compliant

**Cable construction - PX0840, PX0841**





Компания «ЭлектроПласт» предлагает заключение долгосрочных отношений при поставках импортных электронных компонентов на взаимовыгодных условиях!

Наши преимущества:

- Оперативные поставки широкого спектра электронных компонентов отечественного и импортного производства напрямую от производителей и с крупнейших мировых складов;
- Поставка более 17-ти миллионов наименований электронных компонентов;
- Поставка сложных, дефицитных, либо снятых с производства позиций;
- Оперативные сроки поставки под заказ (от 5 рабочих дней);
- Экспресс доставка в любую точку России;
- Техническая поддержка проекта, помощь в подборе аналогов, поставка прототипов;
- Система менеджмента качества сертифицирована по Международному стандарту ISO 9001;
- Лицензия ФСБ на осуществление работ с использованием сведений, составляющих государственную тайну;
- Поставка специализированных компонентов (Xilinx, Altera, Analog Devices, Intersil, Interpoint, Microsemi, Aeroflex, Peregrine, Syfer, Eurofarad, Texas Instrument, Miteq, Cobham, E2V, MA-COM, Hittite, Mini-Circuits, General Dynamics и др.);

Помимо этого, одним из направлений компании «ЭлектроПласт» является направление «Источники питания». Мы предлагаем Вам помощь Конструкторского отдела:

- Подбор оптимального решения, техническое обоснование при выборе компонента;
- Подбор аналогов;
- Консультации по применению компонента;
- Поставка образцов и прототипов;
- Техническая поддержка проекта;
- Защита от снятия компонента с производства.



#### Как с нами связаться

**Телефон:** 8 (812) 309 58 32 (многоканальный)

**Факс:** 8 (812) 320-02-42

**Электронная почта:** [org@eplast1.ru](mailto:org@eplast1.ru)

**Адрес:** 198099, г. Санкт-Петербург, ул. Калинина, дом 2, корпус 4, литера А.