

# Altech Corp.®

Serving the Automation & Control Industry since 1984

Certified System



ISO 9001  
QMI-SAI Global



## TOWER LIGHTS

# TOWER LIGHTS

**Choose  
Different  
Colors  
& Set Your  
Own Combination**



**Altech Corp.**<sup>®</sup>  
**TOWER**Lights

- Sleek, stackable design
- SMD LED technology
- Uniform, bright illumination
- Integrated LED Light Modules available in continuous, flashing and rotary versions
- Flexibility to upgrade from Single LED unit to multiple LED units
- IP65 protection
- Wide voltage range from 12V AC/DC to 240V AC
- Optional Buzzer feature with dual sound mode - continuous & intermittent with 80 DB output

## INTERNATIONAL APPROVALS

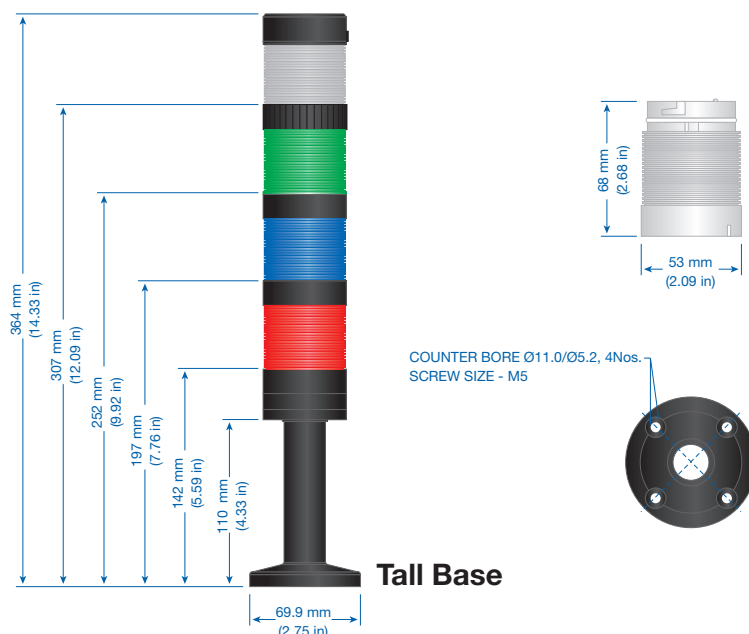
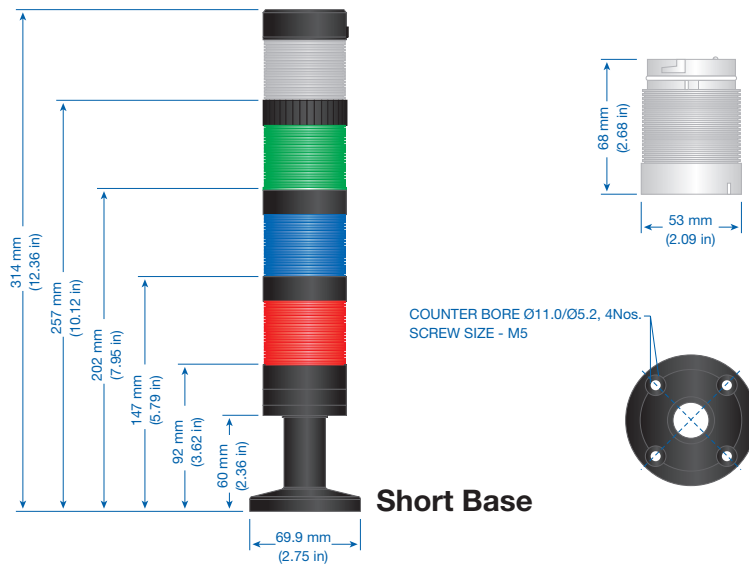


The UL standards extend to:  
NEMA Type: 1 | 2 | 3 | 3R | 4 | 4X | 12 | 13  
Indoor or outdoor use primarily to provide a degree of protection against corrosion, windblown dust and rain, splashing water, hose-directed water, and damage from external ice formation.

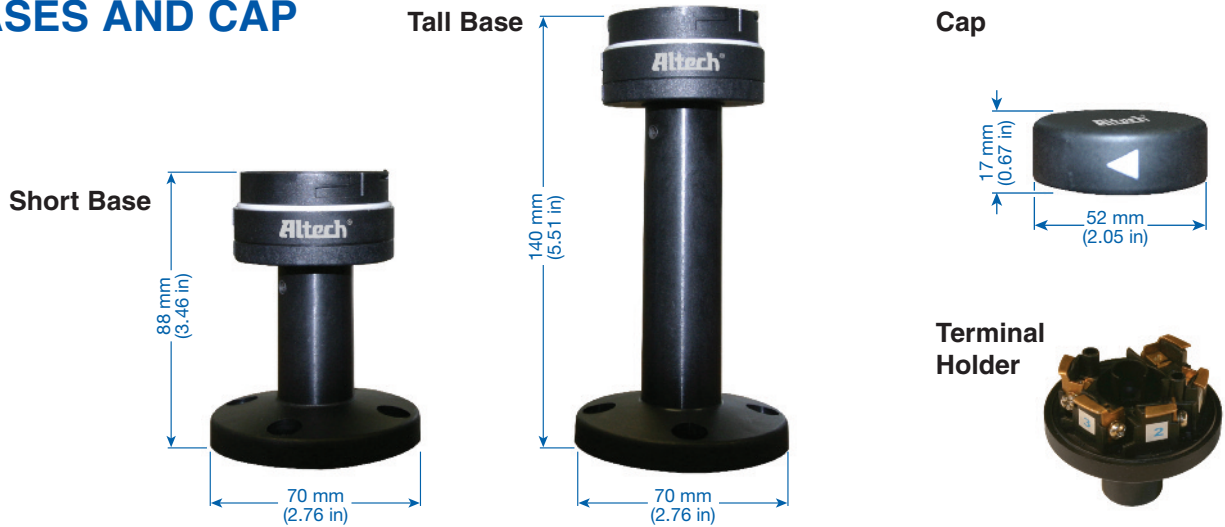
## TECHNICAL INFORMATION

|                        |   |
|------------------------|---|
| Outer Diameter         | Ø50mm   |
| Degree of Protection   | IP65, NEMA Type 4X and 13, UL 508                                 |
| LED Type               | SMD   |
| Unit Color             | Red / Green / Amber / Blue / White                                |
| Unit Signalling Effect | Continuous, Blinking & Revolving                                  |
| Buzzer Color           | Black   |
| Buzzer Mode            | 80dB ± 5dB  |
| Sounding Mode          | Continuous & Intermittent   |
| Available Voltages     | 12V AC/DC; 24V AC/DC<br>120V AC; 240V AC                          |
| Voltage Tolerance      | ±10% of rated voltage   |
| Operating Temperature  | -30°C to 60°C   |
| Surge Test             | 2 KV  |
| HV Test for 60 Seconds | 1.5 KV  |
| Current Rating         | 20-40mA for 12V AC/DC; 24V AC/DC<br>10-20mA for 120V AC & 240V AC |

## DIMENSIONS



# BASES AND CAP



| Part No. | Description         | Std. Pack |
|----------|---------------------|-----------|
| TL5001   | Short Base, Plastic | 1         |
| TL5002   | Tall Base, Plastic  | 1         |

| Accessories |                                    |           |
|-------------|------------------------------------|-----------|
| Part No.    | Description                        | Std. Pack |
| TL12004     | Upper Cap for Tower Light, Plastic | 1         |
| TL122002    | Terminal Holder, Plastic           | 1         |
| TL122003    | Terminal Holder Cover, Plastic     | 1         |

NOTE: All bases come with Cap, Terminal Holder and Terminal Holder Cover.

# SOUND MODULE



| Part No. | Description               | Voltage   | Mode               | Approvals   | Std. Pack |
|----------|---------------------------|-----------|--------------------|-------------|-----------|
| TL50Z1U  | 50mm Sound Module, Buzzer | 24V AC/DC | Continuous, 80dB   | UL cUL NEMA | 1         |
| TL50Z2U  | 50mm Sound Module, Buzzer | 24V AC/DC | Intermittent, 80dB | UL cUL NEMA | 1         |
| TL50Z1W  | 50mm Sound Module, Buzzer | 120V AC   | Continuous, 80dB   | UL cUL NEMA | 1         |
| TL50Z2W  | 50mm Sound Module, Buzzer | 120V AC   | Intermittent, 80dB | UL cUL NEMA | 1         |
| TL50Z1X  | 50mm Sound Module, Buzzer | 240V AC   | Continuous, 80dB   | UL cUL NEMA | 1         |
| TL50Z2X  | 50mm Sound Module, Buzzer | 240V AC   | Intermittent, 80dB | UL cUL NEMA | 1         |
| TL50Z1T  | 50mm Sound Module, Buzzer | 12V AC/DC | Continuous, 80dB   |             | 1         |
| TL50Z2T  | 50mm Sound Module, Buzzer | 12V AC/DC | Intermittent, 80dB |             | 1         |

\*Cap included with sound module and not removable.

# Online Part Builder

To build your tower light go to [www.altechcorp.com/towerlights](http://www.altechcorp.com/towerlights).

Download our interactive EXCEL file to easily build the appropriate tower light part number for your documentation **A** reference and receive a list of components to order and build your specific tower light. **B**

# LENS MODULES



|           | Part No.                    | Description                 | Color        | Mode           | Approvals | Std. Pack |
|-----------|-----------------------------|-----------------------------|--------------|----------------|-----------|-----------|
| 12 VOLTS  | TL50LA1T                    | 12V AC/DC, 50mm Lens Module | Amber        | Continuous LED | ☐ NEMA    | 1         |
|           | TL50LB1T                    | 12V AC/DC, 50mm Lens Module | Blue         | Continuous LED | ☐ NEMA    | 1         |
|           | TL50LG1T                    | 12V AC/DC, 50mm Lens Module | Green        | Continuous LED | ☐ NEMA    | 1         |
|           | TL50LR1T                    | 12V AC/DC, 50mm Lens Module | Red          | Continuous LED | ☐ NEMA    | 1         |
|           | TL50LW1T                    | 12V AC/DC, 50mm Lens Module | White        | Continuous LED | ☐ NEMA    | 1         |
|           | TL50LA2T                    | 12V AC/DC, 50mm Lens Module | Amber        | Flashing LED   | ☐ NEMA    | 1         |
|           | TL50LB2T                    | 12V AC/DC, 50mm Lens Module | Blue         | Flashing LED   | ☐ NEMA    | 1         |
|           | TL50LG2T                    | 12V AC/DC, 50mm Lens Module | Green        | Flashing LED   | ☐ NEMA    | 1         |
|           | TL50LR2T                    | 12V AC/DC, 50mm Lens Module | Red          | Flashing LED   | ☐ NEMA    | 1         |
|           | TL50LW2T                    | 12V AC/DC, 50mm Lens Module | White        | Flashing LED   | ☐ NEMA    | 1         |
|           | TL50LA3T                    | 12V AC/DC, 50mm Lens Module | Amber        | Rotating LED   | ☐ NEMA    | 1         |
|           | TL50LB3T                    | 12V AC/DC, 50mm Lens Module | Blue         | Rotating LED   | ☐ NEMA    | 1         |
|           | TL50LG3T                    | 12V AC/DC, 50mm Lens Module | Green        | Rotating LED   | ☐ NEMA    | 1         |
| TL50LR3T  | 12V AC/DC, 50mm Lens Module | Red                         | Rotating LED | ☐ NEMA         | 1         |           |
| TL50LW3T  | 12V AC/DC, 50mm Lens Module | White                       | Rotating LED | ☐ NEMA         | 1         |           |
| 24 VOLTS  | TL50LA1U                    | 24V AC/DC, 50mm Lens Module | Amber        | Continuous LED | ☐ ☐ NEMA  | 1         |
|           | TL50LB1U                    | 24V AC/DC, 50mm Lens Module | Blue         | Continuous LED | ☐ ☐ NEMA  | 1         |
|           | TL50LG1U                    | 24V AC/DC, 50mm Lens Module | Green        | Continuous LED | ☐ ☐ NEMA  | 1         |
|           | TL50LR1U                    | 24V AC/DC, 50mm Lens Module | Red          | Continuous LED | ☐ ☐ NEMA  | 1         |
|           | TL50LW1U                    | 24V AC/DC, 50mm Lens Module | White        | Continuous LED | ☐ ☐ NEMA  | 1         |
|           | TL50LA2U                    | 24V AC/DC, 50mm Lens Module | Amber        | Flashing LED   | ☐ ☐ NEMA  | 1         |
|           | TL50LB2U                    | 24V AC/DC, 50mm Lens Module | Blue         | Flashing LED   | ☐ ☐ NEMA  | 1         |
|           | TL50LG2U                    | 24V AC/DC, 50mm Lens Module | Green        | Flashing LED   | ☐ ☐ NEMA  | 1         |
|           | TL50LR2U                    | 24V AC/DC, 50mm Lens Module | Red          | Flashing LED   | ☐ ☐ NEMA  | 1         |
|           | TL50LW2U                    | 24V AC/DC, 50mm Lens Module | White        | Flashing LED   | ☐ ☐ NEMA  | 1         |
|           | TL50LA3U                    | 24V AC/DC, 50mm Lens Module | Amber        | Rotating LED   | ☐ ☐ NEMA  | 1         |
|           | TL50LB3U                    | 24V AC/DC, 50mm Lens Module | Blue         | Rotating LED   | ☐ ☐ NEMA  | 1         |
|           | TL50LG3U                    | 24V AC/DC, 50mm Lens Module | Green        | Rotating LED   | ☐ ☐ NEMA  | 1         |
| TL50LR3U  | 24V AC/DC, 50mm Lens Module | Red                         | Rotating LED | ☐ ☐ NEMA       | 1         |           |
| TL50LW3U  | 24V AC/DC, 50mm Lens Module | White                       | Rotating LED | ☐ ☐ NEMA       | 1         |           |
| 120 VOLTS | TL50LA1W                    | 120V AC, 50mm Lens Module   | Amber        | Continuous LED | ☐ ☐ NEMA  | 1         |
|           | TL50LB1W                    | 120V AC, 50mm Lens Module   | Blue         | Continuous LED | ☐ ☐ NEMA  | 1         |
|           | TL50LG1W                    | 120V AC, 50mm Lens Module   | Green        | Continuous LED | ☐ ☐ NEMA  | 1         |
|           | TL50LR1W                    | 120V AC, 50mm Lens Module   | Red          | Continuous LED | ☐ ☐ NEMA  | 1         |
|           | TL50LW1W                    | 120V AC, 50mm Lens Module   | White        | Continuous LED | ☐ ☐ NEMA  | 1         |
|           | TL50LA2W                    | 120V AC, 50mm Lens Module   | Amber        | Flashing LED   | ☐ ☐ NEMA  | 1         |
|           | TL50LB2W                    | 120V AC, 50mm Lens Module   | Blue         | Flashing LED   | ☐ ☐ NEMA  | 1         |
|           | TL50LG2W                    | 120V AC, 50mm Lens Module   | Green        | Flashing LED   | ☐ ☐ NEMA  | 1         |
|           | TL50LR2W                    | 120V AC, 50mm Lens Module   | Red          | Flashing LED   | ☐ ☐ NEMA  | 1         |
|           | TL50LW2W                    | 120V AC, 50mm Lens Module   | White        | Flashing LED   | ☐ ☐ NEMA  | 1         |
|           | TL50LA3W                    | 120V AC, 50mm Lens Module   | Amber        | Rotating LED   | ☐ ☐ NEMA  | 1         |
|           | TL50LB3W                    | 120V AC, 50mm Lens Module   | Blue         | Rotating LED   | ☐ ☐ NEMA  | 1         |
|           | TL50LG3W                    | 120V AC, 50mm Lens Module   | Green        | Rotating LED   | ☐ ☐ NEMA  | 1         |
| TL50LR3W  | 120V AC, 50mm Lens Module   | Red                         | Rotating LED | ☐ ☐ NEMA       | 1         |           |
| TL50LW3W  | 120V AC, 50mm Lens Module   | White                       | Rotating LED | ☐ ☐ NEMA       | 1         |           |
| 240 VOLTS | TL50LA1X                    | 240V AC, 50mm Lens Module   | Amber        | Continuous LED | ☐ ☐ NEMA  | 1         |
|           | TL50LB1X                    | 240V AC, 50mm Lens Module   | Blue         | Continuous LED | ☐ ☐ NEMA  | 1         |
|           | TL50LG1X                    | 240V AC, 50mm Lens Module   | Green        | Continuous LED | ☐ ☐ NEMA  | 1         |
|           | TL50LR1X                    | 240V AC, 50mm Lens Module   | Red          | Continuous LED | ☐ ☐ NEMA  | 1         |
|           | TL50LW1X                    | 240V AC, 50mm Lens Module   | White        | Continuous LED | ☐ ☐ NEMA  | 1         |
|           | TL50LA2X                    | 240V AC, 50mm Lens Module   | Amber        | Flashing LED   | ☐ ☐ NEMA  | 1         |
|           | TL50LB2X                    | 240V AC, 50mm Lens Module   | Blue         | Flashing LED   | ☐ ☐ NEMA  | 1         |
|           | TL50LG2X                    | 240V AC, 50mm Lens Module   | Green        | Flashing LED   | ☐ ☐ NEMA  | 1         |
|           | TL50LR2X                    | 240V AC, 50mm Lens Module   | Red          | Flashing LED   | ☐ ☐ NEMA  | 1         |
|           | TL50LW2X                    | 240V AC, 50mm Lens Module   | White        | Flashing LED   | ☐ ☐ NEMA  | 1         |
|           | TL50LA3X                    | 240V AC, 50mm Lens Module   | Amber        | Rotating LED   | ☐ ☐ NEMA  | 1         |
|           | TL50LB3X                    | 240V AC, 50mm Lens Module   | Blue         | Rotating LED   | ☐ ☐ NEMA  | 1         |
|           | TL50LG3X                    | 240V AC, 50mm Lens Module   | Green        | Rotating LED   | ☐ ☐ NEMA  | 1         |
| TL50LR3X  | 240V AC, 50mm Lens Module   | Red                         | Rotating LED | ☐ ☐ NEMA       | 1         |           |
| TL50LW3X  | 240V AC, 50mm Lens Module   | White                       | Rotating LED | ☐ ☐ NEMA       | 1         |           |

# TOWER LIGHTS

## Ordering Information (Components sold individually)

|               | DESCRIPTION     | CODE |
|---------------|-----------------|------|
| Tower Light   |                 | TW   |
| Base          | Small Base (SB) | 1    |
|               | Big Base (BB)   | 2    |
| Voltage       | 240V AC         | X    |
|               | 120V AC         | W    |
|               | 24V AC/DC       | U    |
|               | 12V AC/DC       | T    |
| Unit Color    | Red             | R    |
|               | Green           | G    |
|               | Amber           | A    |
|               | Blue            | B    |
|               | White           | W    |
| Luminous Mode | Continuous      | 1    |
|               | Blinking        | 2    |
|               | Revolving       | 3    |
| Sound Module  | Continuous      | Z1   |
|               | Intermittent    | Z2   |

TW 1 U R 1 G 1 A 2 B 1



Example:

**Cat. No. TW1UR1G1A2B1**

Description

Tower Light with Small Base  
24V AC/DC with Red, Green and Blue  
Continuous Amber Blinking

Buzzer has to be used as last unit in the stack.  
Maximum number of stacks is four.

## Standard Available Combinations

### Tower Light Without Buzzer

| Type         | Description   | Part No.     |
|--------------|---|--------------|
| Single Stack | Tower light with small base<br>120V AC with red continuous<br>illumination  | TW1WR1       |
| Single Stack | Tower light with small base<br>120V AC with red blinking<br>illumination  | TW1WR2       |
| Two Stack    | Tower light with small base<br>120V AC with red continuous<br>& green continuous illumination                                       | TW1WR1G1     |
| Two Stack    | Tower light with small base<br>24V AC/DC with red continuous<br>& green continuous illumination                                     | TW1UR2G2     |
| Three Stack  | Tower light with small base<br>120V AC with red continuous,<br>green continuous & blue continuous<br>illumination                   | TW1WR1G1B1   |
| Three Stack  | Tower light with small base<br>240V AC with green continuous,<br>blue continuous and red blinking<br>illumination                   | TW1XG1B1R2   |
| Four Stack   | Tower light with small base<br>120V AC with red continuous,<br>green continuous, blue continuous<br>& amber continuous illumination | TW1WR1G1B1A1 |

### Tower Light With Buzzer

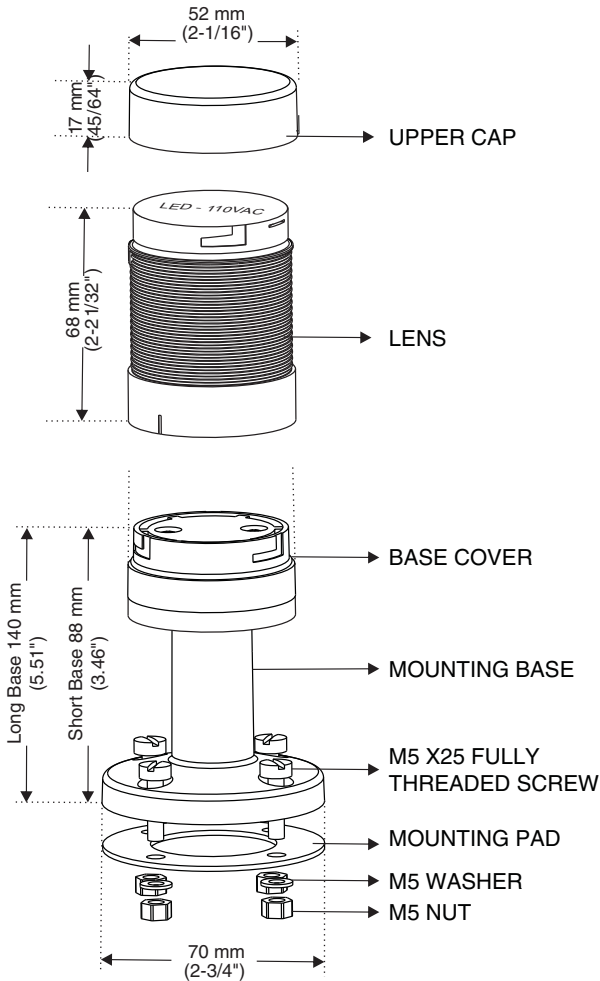
| Type         | Description  | Part No.     |
|--------------|--|--------------|
| Single Stack | Tower light with small base<br>120V AC with buzzer continuous  | TW1WZ1       |
| Two Stack    | Tower light with small base<br>120V AC with red continuous<br>illumination & buzzer continuous                                       | TW1WR1Z1     |
| Two Stack    | Tower light with small base<br>24V AC/DC with red blinking<br>illumination & buzzer continuous                                       | TW1UR2Z1     |
| Three Stack  | Tower light with small base<br>120V AC/DC with red continuous,<br>green continuous illumination<br>& buzzer continuous               | TW1WR1G1Z1   |
| Three Stack  | Tower light with small base<br>24V AC/DC with red blinking,<br>green continuous illumination<br>& buzzer continuous                  | TW1UR2G1Z1   |
| Four Stack   | Tower light with small base<br>120V AC with red continuous,<br>green continuous, blue continuous<br>& buzzer continuous              | TW1WR1G1B1Z1 |
| Four Stack   | Tower light with small base<br>24V AC/DC with green continuous,<br>blue continuous, red blinking<br>illumination & buzzer continuous | TW1UG1B1R2Z1 |

Note: Mentioned products are available as ex-stock, for any special requirement please refer ordering information or contact Altech Corp.®.

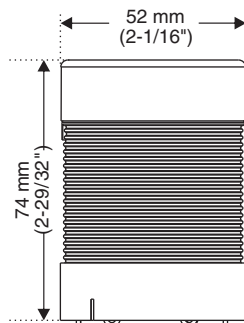
# TOWER LIGHTS

## Technical Information

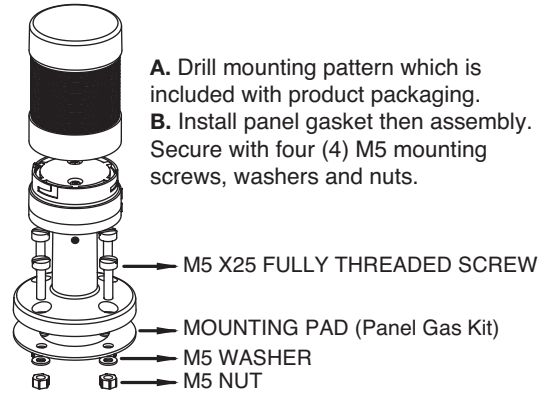
### Dimensions



### SOUND MODULE UNIT BLACK (Cap is not removable)

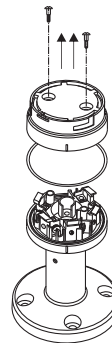


### Assembly Mounting

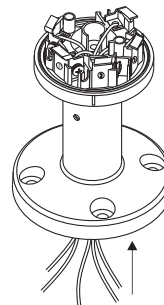


### Electrical Wiring

#### STEP 1



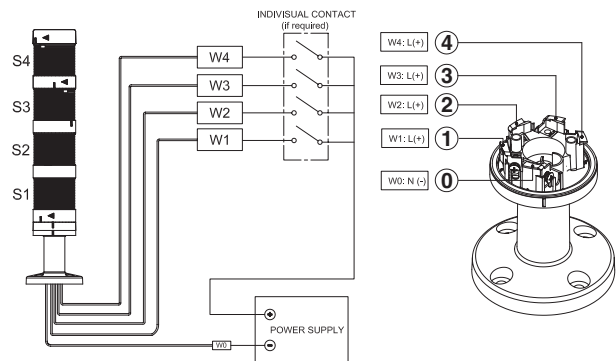
#### STEP 2



|   |                              |
|---|------------------------------|
| 0 | common or negative (AC / DC) |
| 1 | module position 1            |
| 2 | module position 2            |
| 3 | module position 3            |
| 4 | module position 4            |

**D.** Insert the wires into the required terminations for the tower light and tighten to 0.5Nm (5lb\* in).

### Wiring Diagram



For proper installation and operation of the Tower Light please follow the instructions on both sides of product sheet included with each tower light.



Altech Search  
Google™ Custom Search

- Home
- Stock Check
- Distributors
- Information
- News
- Contact
- Rep/Dist Login
- Altech Mexico

- WEB TOOLS**
- Product Crossings
  - Request for Quote
  - Sample Request
  - Catalog Request
- PRODUCT MENU**
- Circuit Protection / Control >
  - Connectors >
  - Enclosures >
  - European Spare Parts >
  - Foot Switches
  - Interface Modules >
  - Power Supplies
  - Push Buttons & Pilot Lights >
  - Relays >
  - Sensors >
  - Terminal Blocks >
  - Wire & Cable Management >
  - Home

### View Our Product Preview Movie

#### Circuit Protection

|  |   |  |  |  |
|--|---|--|--|--|
|  Circuit Protection Devices |  Busbar and Power Distribution |  Contactors, Overload Relays, Manual Motor Starters |  Motor Disconnect Switches |  European Fuses |
|--|---|--|--|--|

#### Connectors

|   |  |   |  |   |
|---|--|---|--|---|
|  Industrial Rectangular Connectors |  Pin & Sleeve Devices |  Receptacles |  Foot Switches |  Sensors |
|---|--|---|--|---|

#### Enclosures

|  |   |  |   |  |
|--|---|--|---|--|
|  Industrial Enclosures |  DIN Enclosures |  Interface Modules |  Safety Relays |  Slimline Relays |
|--|---|--|---|--|

#### Modules & Relays

#### Power Supplies

|  |   |  |  |
|--|---|--|--|
|  Power Supplies |  22 & 30 mm Push Buttons |  DIN Rail |  Wire & Cable Management |
|--|---|--|--|

#### Push Buttons

#### DIN Rail

#### Wire & Cable Management

#### Terminal Blocks

|  |   |   |   |   |
|--|---|---|---|---|
|  Din Rail Terminal Blocks |  Panel Mount Terminal Blocks |  Printed Circuit Board Terminal Blocks |  Eurostrips |  Distribution Blocks |
|--|---|---|---|---|

#### Miscellaneous

|  |   |   |  |  |
|--|---|---|--|--|
|  Ferrules |  Custom Assembly |  Marking & Engraving Systems |  Power Semi-conductors |  European Spare Parts |
|--|---|---|--|--|

Altech Corporation  
35 Royal Road  
Flemington, NJ 08822-6000  
Phone (908) 806-9400  
Fax (908) 806-9490  
www.altechcorp.com

Altech Corp.® 800-012012-3M





Компания «ЭлектроПласт» предлагает заключение долгосрочных отношений при поставках импортных электронных компонентов на взаимовыгодных условиях!

Наши преимущества:

- Оперативные поставки широкого спектра электронных компонентов отечественного и импортного производства напрямую от производителей и с крупнейших мировых складов;
- Поставка более 17-ти миллионов наименований электронных компонентов;
- Поставка сложных, дефицитных, либо снятых с производства позиций;
- Оперативные сроки поставки под заказ (от 5 рабочих дней);
- Экспресс доставка в любую точку России;
- Техническая поддержка проекта, помощь в подборе аналогов, поставка прототипов;
- Система менеджмента качества сертифицирована по Международному стандарту ISO 9001;
- Лицензия ФСБ на осуществление работ с использованием сведений, составляющих государственную тайну;
- Поставка специализированных компонентов (Xilinx, Altera, Analog Devices, Intersil, Interpoint, Microsemi, Aeroflex, Peregrine, Syfer, Eurofarad, Texas Instrument, Miteq, Cobham, E2V, MA-COM, Hittite, Mini-Circuits, General Dynamics и др.);

Помимо этого, одним из направлений компании «ЭлектроПласт» является направление «Источники питания». Мы предлагаем Вам помощь Конструкторского отдела:

- Подбор оптимального решения, техническое обоснование при выборе компонента;
- Подбор аналогов;
- Консультации по применению компонента;
- Поставка образцов и прототипов;
- Техническая поддержка проекта;
- Защита от снятия компонента с производства.



#### Как с нами связаться

**Телефон:** 8 (812) 309 58 32 (многоканальный)

**Факс:** 8 (812) 320-02-42

**Электронная почта:** [org@eplast1.ru](mailto:org@eplast1.ru)

**Адрес:** 198099, г. Санкт-Петербург, ул. Калинина, дом 2, корпус 4, литера А.