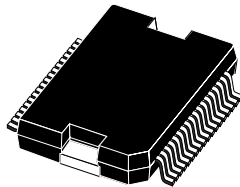
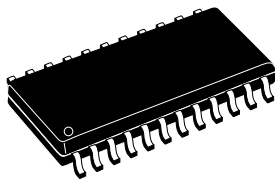


**DMOS driver for 3-phase brushless DC motor**

Datasheet - production data

**PowerSO36****SO24  
(20 + 2 + 2)****Ordering numbers:****L6235PD (PowerSO36)  
L6235D (SO24)**

- 60° and 120° hall effect decoding logic
- Brake function
- Tachometer output for speed loop
- Cross conduction protection
- Thermal shutdown
- Undervoltage lockout
- Integrated fast freewheeling diodes

**Description**

The L6235 device is a DMOS fully integrated 3-phase motor driver with overcurrent protection.

Realized in BCD technology, the device combines isolated DMOS power transistors with CMOS and bipolar circuits on the same chip.

The device includes all the circuitry needed to drive a 3-phase BLDC motor including: a 3-phase DMOS bridge, a constant off time PWM current controller and the decoding logic for single ended hall sensors that generates the required sequence for the power stage.

Available in PowerSO36 and SO24 (20 + 2 + 2) packages, the L6235 device features a non-dissipative overcurrent protection on the high-side power MOSFETs and thermal shutdown.

**Features**

- Operating supply voltage from 8 to 52 V
- 5.6 A output peak current (2.8 A DC)
- $R_{DS(ON)}$  0.3  $\Omega$  typ. value at  $T_j = 25$  °C
- Operating frequency up to 100 KHz
- Non-dissipative overcurrent detection and protection
- Diagnostic output
- Constant  $t_{OFF}$  PWM current controller
- Slow decay synchr. rectification

# Contents

<b>1</b>	<b>Block diagram</b> .....	<b>3</b>
<b>2</b>	<b>Maximum ratings</b> .....	<b>4</b>
<b>3</b>	<b>Pin connections</b> .....	<b>6</b>
<b>4</b>	<b>Electrical characteristics</b> .....	<b>8</b>
<b>5</b>	<b>Circuit description</b> .....	<b>11</b>
	5.1 Power stages and charge pump .....	11
	5.2 Logic inputs .....	12
<b>6</b>	<b>PWM current control</b> .....	<b>13</b>
<b>7</b>	<b>Slow decay mode</b> .....	<b>17</b>
<b>8</b>	<b>Decoding logic</b> .....	<b>18</b>
<b>9</b>	<b>Tachometer</b> .....	<b>20</b>
<b>10</b>	<b>Non-dissipative overcurrent detection and protection</b> .....	<b>22</b>
<b>11</b>	<b>Application information</b> .....	<b>25</b>
	11.1 Output current capability and IC power dissipation .....	26
	11.2 Thermal management .....	27
<b>12</b>	<b>Package information</b> .....	<b>30</b>
	12.1 PowerSO36 package information .....	30
	12.2 SO24 package information .....	32
<b>13</b>	<b>Revision history</b> .....	<b>33</b>



## 2 Maximum ratings

**Table 1. Absolute maximum ratings**

Symbol	Parameter	Test conditions	Value	Unit
$V_S$	Supply voltage	$V_{SA} = V_{SB} = V_S$	60	V
$V_{OD}$	Differential voltage between: $V_{SA}$ , $OUT_1$ , $OUT_2$ , $SENSE_A$ and $V_{SB}$ , $OUT_3$ , $SENSE_B$	$V_{SA} = V_{SB} = V_S = 60\text{ V}$ ; $V_{SENSE_A} = V_{SENSE_B} = \text{GND}$	60	V
$V_{BOOT}$	Bootstrap peak voltage	$V_{SA} = V_{SB} = V_S$	$V_S + 10$	V
$V_{IN}$ , $V_{EN}$	Logic inputs voltage range	-	-0.3 to 7	V
$V_{REF}$	Voltage range at pin VREF	-	-0.3 to 7	V
$V_{RCOFF}$	Voltage range at pin RCOFF	-	-0.3 to 7	V
$V_{RCPULSE}$	Voltage range at pin RCPULSE	-	-0.3 to 7	V
$V_{SENSE}$	Voltage range at pins $SENSE_A$ and $SENSE_B$	-	-1 to 4	V
$I_{S(\text{peak})}$	Pulsed supply current (for each $V_{SA}$ and $V_{SB}$ pin)	$V_{SA} = V_{SB} = V_S$ ; $T_{PULSE} < 1\text{ ms}$	7.1	A
$I_S$	DC supply current (for each $V_{SA}$ and $V_{SB}$ pin)	$V_{SA} = V_{SB} = V_S$	2.8	A
$T_{stg}$ , $T_{OP}$	Storage and operating temperature range	-	-40 to 150	°C

**Table 2. Recommended operating condition**

Symbol	Parameter	Test conditions	Min.	Max.	Unit
$V_S$	Supply voltage	$V_{SA} = V_{SB} = V_S$	12	52	V
$V_{OD}$	Differential voltage between: $V_{SA}$ , $OUT_1$ , $OUT_2$ , $SENSE_A$ and $V_{SB}$ , $OUT_3$ , $SENSE_B$	$V_{SA} = V_{SB} = V_S$ ; $V_{SENSE_A} = V_{SENSE_B}$	-	52	V
$V_{REF}$	Voltage range at pin VREF	-	-0.1	5	V
$V_{SENSE}$	Voltage range at pins $SENSE_A$ and $SENSE_B$	(pulsed $t_W < t_{rr}$ ) (DC)	-6 -1	6 1	V V
$I_{OUT}$	DC output current	$V_{SA} = V_{SB} = V_S$	-	2.8	A
$f_{SW}$	Switching frequency	-	-	100	KHz

Table 3. Thermal data

Symbol	Description	SO24	PowerSO36	Unit
$R_{th(j-pins)}$	Maximum thermal resistance junction pins	14	-	°C/W
$R_{th(j-case)}$	Maximum thermal resistance junction case	-	1	°C/W
$R_{th(j-amb)1}$	Maximum thermal resistance junction ambient <sup>(1)</sup>	51	-	°C/W
$R_{th(j-amb)1}$	Maximum thermal resistance junction ambient <sup>(2)</sup>	-	35	°C/W
$R_{th(j-amb)1}$	Maximum thermal resistance junction ambient <sup>(3)</sup>	-	15	°C/W
$R_{th(j-amb)2}$	Maximum thermal resistance junction ambient <sup>(4)</sup>	77	62	°C/W

1. Mounted on a multilayer FR4 PCB with a dissipating copper surface on the bottom side of 6 cm<sup>2</sup> (with a thickness of 35 μm).
2. Mounted on a multilayer FR4 PCB with a dissipating copper surface on the top side of 6 cm<sup>2</sup> (with a thickness of 35 μm).
3. Mounted on a multilayer FR4 PCB with a dissipating copper surface on the top side of 6 cm<sup>2</sup> (with a thickness of 35 μm), 16 via holes and a ground layer.
4. Mounted on a multilayer FR4 PCB without any heatsinking surface on the board.



Table 4. Pin description (continued)

Package		Name	Type	Function
SO24	PowerSO36			
Pin no.	Pin no.			
6, 7, 18, 19	1, 18, 19, 36	GND	GND	Ground terminals. On SO24 package, these pins are also used for heat dissipation toward the PCB. On PowerSO36 package the slug is connected on these pins.
8	22	TACHO	Open drain output	Frequency-to-voltage open drain output. Every pulse from pin H <sub>1</sub> is shaped as a fixed and adjustable length pulse.
9	24	RCPULSE	RC pin	RC network pin. A parallel RC network connected between this pin and ground sets the duration of the monostable pulse used for the frequency-to-voltage converter.
10	25	SENSE <sub>B</sub>	Power supply	Half-bridge 3 source pin. This pin must be connected together with pin SENSE <sub>A</sub> to power ground through a sensing power resistor. At this pin also the inverting input of the sense comparator is connected.
11	26	FWD/REV	Logic input	Selects the direction of the rotation. HIGH logic level sets forward operation, whereas LOW logic level sets reverse operation. If not used, it has to be connected to GND or +5 V.
12	27	EN	Logic input	Chip enable. LOW logic level switches OFF all power MOSFETs. If not used, it has to be connected to +5 V.
13	28	VREF	Logic input	Current controller reference voltage. Do not leave this pin open or connect to GND.
14	29	BRAKE	Logic input	Brake input pin. LOW logic level switches ON all high-side power MOSFETs, implementing the brake function. If not used, it has to be connected to +5 V.
15	30	VBOOT	Supply voltage	Bootstrap voltage needed for driving the upper power MOSFETs.
16	32	OUT <sub>3</sub>	Power output	Output 3.
17	33	VS <sub>B</sub>	Power supply	Half-bridge 3 power supply voltage. It must be connected to the supply voltage together with pin VS <sub>A</sub> .
20	4	VS <sub>A</sub>	Power supply	Half-bridge 1 and half-bridge 2 power supply voltage. It must be connected to the supply voltage together with pin VS <sub>B</sub> .
21	5	OUT <sub>2</sub>	Power output	Output 2.
22	7	VCP	Output	Charge pump oscillator output.
23	8	H <sub>2</sub>	Sensor input	Single ended hall effect sensor input 2.
24	9	H <sub>3</sub>	Sensor input	Single ended hall effect sensor input 3.

## 4 Electrical characteristics

**Table 5. Electrical characteristics**  
( $V_S = 48\text{ V}$ ,  $T_{\text{amb}} = 25\text{ °C}$ , unless otherwise specified)

Symbol	Parameter	Test conditions	Min.	Typ.	Max.	Unit
$V_{\text{Sth(ON)}}$	Turn ON threshold	-	6.6	7.4	-	V
$V_{\text{Sth(OFF)}}$	Turn OFF threshold	-	5.6	6	6.4	V
$I_S$	Quiescent supply current	All bridges OFF; $T_j = -25\text{ to }125\text{ °C}^{(1)}$	-	5	10	mA
$T_{\text{J(OFF)}}$	Thermal shutdown temperature	-	-	165	-	°C
<b>Output DMOS transistors</b>						
$R_{\text{DS(ON)}}$	High-side switch ON resistance	$T_j = 25\text{ °C}$	-	0.34	0.4	$\Omega$
		$T_j = 125\text{ °C}^{(1)}$	-	0.53	0.59	$\Omega$
	Low-side switch ON resistance	$T_j = 25\text{ °C}$	-	0.28	0.34	$\Omega$
		$T_j = 125\text{ °C}^{(1)}$	-	0.47	0.53	$\Omega$
$I_{\text{DSS}}$	Leakage current	EN = low; OUT = $V_{\text{CC}}$	-	-	2	mA
		EN = low; OUT = GND	-0.15	-	-	mA
<b>Source drain diodes</b>						
$V_{\text{SD}}$	Forward ON voltage	$I_{\text{SD}} = 2.8\text{ A}$ , EN = LOW	-	1.15	1.3	V
$t_{\text{rr}}$	Reverse recovery time	$I_f = 2.8\text{ A}$	-	300	-	ns
$t_{\text{fr}}$	Forward recovery time	-	-	200	-	ns
<b>Logic input (H1, H2, H3, EN, FWD/REV, BRAKE)</b>						
$V_{\text{IL}}$	Low level logic input voltage	-	-0.3	-	0.8	V
$V_{\text{IH}}$	High level logic input voltage	-	2	-	7	V
$I_{\text{IL}}$	Low level logic input current	GND logic input voltage	-10	-	-	$\mu\text{A}$
$I_{\text{IH}}$	High level logic input current	7 V logic input voltage	-	-	10	$\mu\text{A}$
$V_{\text{th(ON)}}$	Turn-ON input threshold	-	-	1.8	2.0	V
$V_{\text{th(OFF)}}$	Turn-OFF input threshold	-	0.8	1.3	-	V
$V_{\text{thHYS}}$	Input thresholds hysteresis	-	0.25	0.5	-	V
<b>Switching characteristics</b>						
$t_{\text{D(on)EN}}$	Enable to out turn-ON delay time <sup>(2)</sup>	$I_{\text{LOAD}} = 2.8\text{ A}$ , resistive load	110	250	400	ns
$t_{\text{D(off)EN}}$	Enable to out turn-OFF delay time <sup>(2)</sup>	$I_{\text{LOAD}} = 2.8\text{ A}$ , resistive load	300	550	800	ns
$t_{\text{D(on)IN}}$	Other logic inputs to output turn-ON delay time	$I_{\text{LOAD}} = 2.8\text{ A}$ , resistive load	-	-	2	$\mu\text{s}$
$t_{\text{D(off)IN}}$	Other logic inputs to out turn-OFF delay time	$I_{\text{LOAD}} = 2.8\text{ A}$ , resistive load	-	-	2	$\mu\text{s}$
$t_{\text{RISE}}$	Output rise time <sup>(2)</sup>	$I_{\text{LOAD}} = 2.8\text{ A}$ , resistive load	40	-	250	ns
$t_{\text{FALL}}$	Output fall time <sup>(2)</sup>	$I_{\text{LOAD}} = 2.8\text{ A}$ , resistive load	40	-	250	ns
$t_{\text{DT}}$	Deadtime		0.5	1	-	$\mu\text{s}$
$f_{\text{CP}}$	Charge pump frequency	$T_j = -25\text{ to }125\text{ °C}^{(1)}$	-	0.6	1	MHz



**Table 5. Electrical characteristics (continued)**  
 ( $V_S = 48\text{ V}$ ,  $T_{\text{amb}} = 25\text{ °C}$ , unless otherwise specified)

Symbol	Parameter	Test conditions	Min.	Typ.	Max.	Unit
<b>PWM comparator and monostable</b>						
$I_{\text{RCOFF}}$	Source current at pin $\text{RC}_{\text{OFF}}$	$V_{\text{RCOFF}} = 2.5\text{ V}$	3.5	5.5	-	mA
$V_{\text{OFFSET}}$	Offset voltage on sense comparator	$V_{\text{ref}} = 0.5\text{ V}$	-	$\pm 5$	-	mV
$t_{\text{prop}}$	Turn OFF propagation delay <sup>(3)</sup>	$V_{\text{ref}} = 0.5\text{ V}$	-	500	-	ns
$t_{\text{blank}}$	Internal blanking time on sense comparator	-	-	1	-	$\mu\text{s}$
$t_{\text{ON(min)}}$	Minimum on time	-	-	1.5	2	$\mu\text{s}$
$t_{\text{OFF}}$	PWM recirculation time	$R_{\text{OFF}} = 20\text{ k}\Omega$ ; $C_{\text{OFF}} = 1\text{ nF}$	-	13	-	$\mu\text{s}$
		$R_{\text{OFF}} = 100\text{ k}\Omega$ ; $C_{\text{OFF}} = 1\text{ nF}$	-	61	-	$\mu\text{s}$
$I_{\text{BIAS}}$	Input bias current at pin $\text{VREF}$	-	-	-	10	$\mu\text{A}$
<b>TACHO monostable</b>						
$I_{\text{RCPULSE}}$	Source current at pin $\text{RCPULSE}$	$V_{\text{RCPULSE}} = 2.5\text{ V}$	3.5	5.5	-	mA
$t_{\text{PULSE}}$	Monostable of time	$R_{\text{PUL}} = 20\text{ k}\Omega$ ; $C_{\text{PUL}} = 1\text{ nF}$	-	12	-	$\mu\text{s}$
		$R_{\text{PUL}} = 100\text{ k}\Omega$ ; $C_{\text{PUL}} = 1\text{ nF}$	-	60	-	$\mu\text{s}$
$R_{\text{TACHO}}$	Open drain ON resistance	-	-	40	60	$\Omega$
<b>Overcurrent detection and protection</b>						
$I_{\text{SOVER}}$	Supply overcurrent protection threshold	$T_J = -25\text{ to }125\text{ °C}^{(1)}$	4.0	5.6	7.1	A
$R_{\text{OPDR}}$	Open drain ON resistance	$I_{\text{DIAG}} = 4\text{ mA}$	-	40	60	$\Omega$
$I_{\text{OH}}$	OCD high level leakage current	$V_{\text{DIAG}} = 5\text{ V}$	-	1	-	$\mu\text{A}$
$t_{\text{OCD(ON)}}$	OCD turn-ON delay time <sup>(4)</sup>	$I_{\text{DIAG}} = 4\text{ mA}$ ; $C_{\text{DIAG}} < 100\text{ pF}$	-	200	-	ns
$t_{\text{OCD(OFF)}}$	OCD turn-OFF delay time <sup>(4)</sup>	$I_{\text{DIAG}} = 4\text{ mA}$ ; $C_{\text{DIAG}} < 100\text{ pF}$	-	100	-	ns

1. Tested at 25 °C in a restricted range and guaranteed by characterization.

2. See [Figure 3: Switching characteristic definition](#).

3. Measured applying a voltage of 1 V to pin SENSE and a voltage drop from 2 V to 0 V to pin VREF.

4. See [Figure 4: Overcurrent detection timing definition](#).

Figure 3. Switching characteristic definition

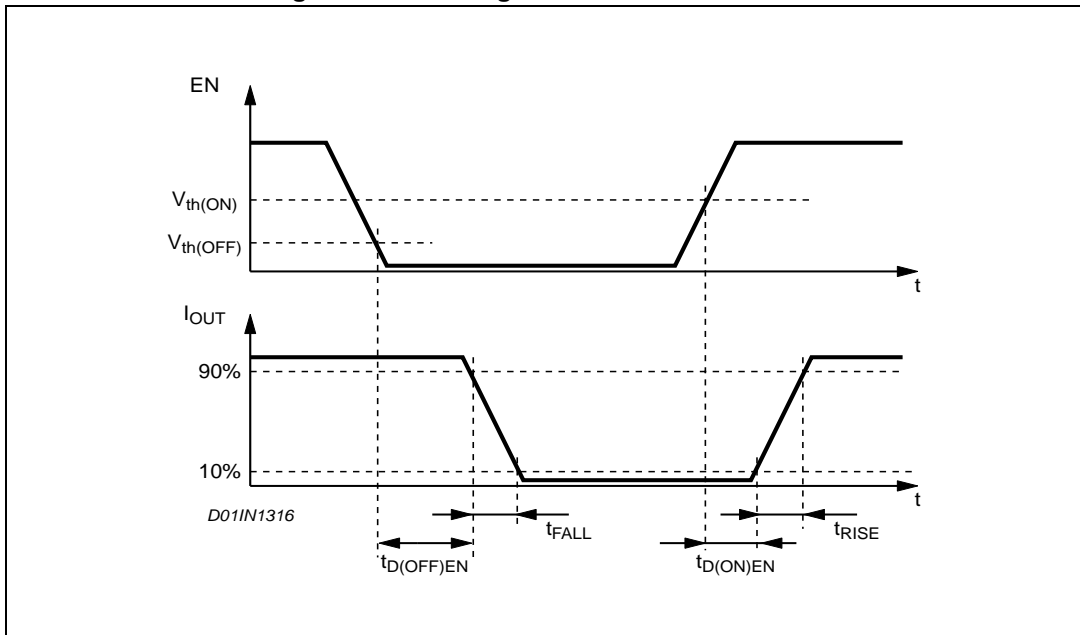
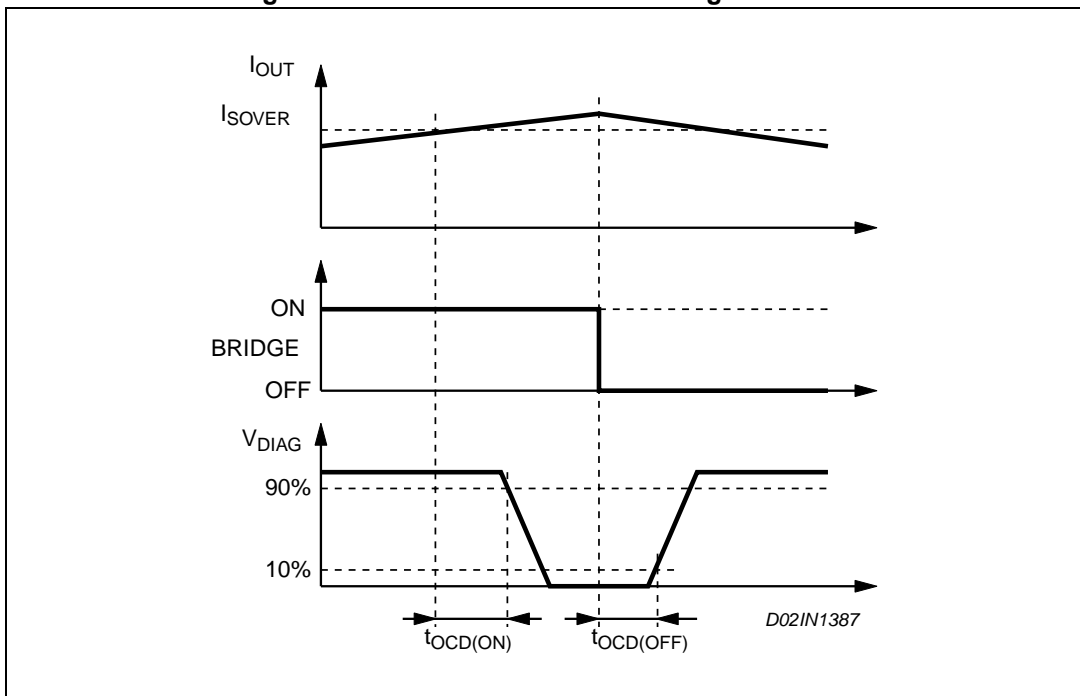


Figure 4. Overcurrent detection timing definition



## 5 Circuit description

### 5.1 Power stages and charge pump

The L6235 device integrates a 3-phase bridge, which consists of 6 power MOSFETs connected as shown in [Figure 1: Block diagram on page 3](#). Each power MOS has an  $R_{DS(ON)} = 0.3$  (typical value at 25 °C) with intrinsic fast freewheeling diode. Switching patterns are generated by the PWM current controller and the hall effect sensor decoding logic (see [Section 6: PWM current control on page 13](#) and [Section 8: Decoding logic on page 18](#)). Cross conduction protection is implemented by using a deadtime ( $t_{DT} = 1 \mu s$  typical value) set by internal timing circuit between the turn off and turn on of two power MOSFETs in one leg of a bridge.

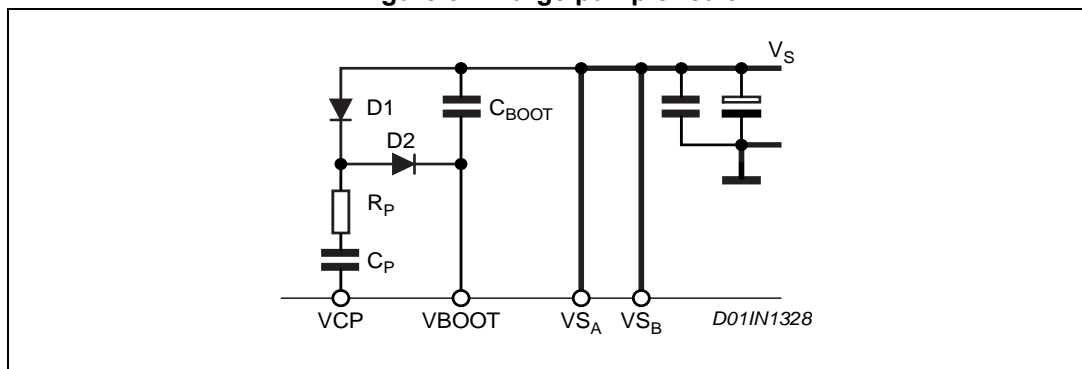
Pins  $VS_A$  and  $VS_B$  MUST be connected together to the supply voltage ( $V_S$ ).

Using N-channel power MOS for the upper transistors in the bridge requires a gate drive voltage above the power supply voltage. The bootstrapped supply ( $V_{BOOT}$ ) is obtained through an internal oscillator and few external components to realize a charge pump circuit as shown in [Figure 5](#). The oscillator output (pin VCP) is a square wave at 600 KHz (typically) with 10 V amplitude. Recommended values/part numbers for the charge pump circuit are shown in [Table 6](#).

**Table 6. Charge pump external component values**

Component	Value
$C_{BOOT}$	22 0nF
$C_P$	10 nF
$R_P$	100 $\Omega$
$D_1$	1N4148
$D_2$	1N4148

**Figure 5. Charge pump circuit**

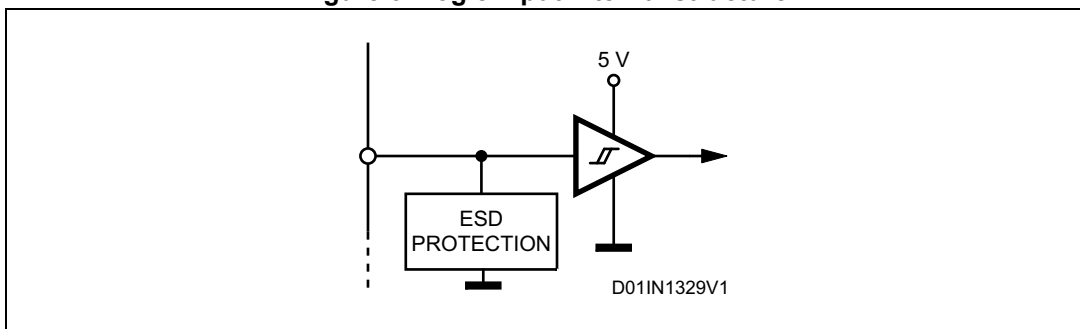


## 5.2 Logic inputs

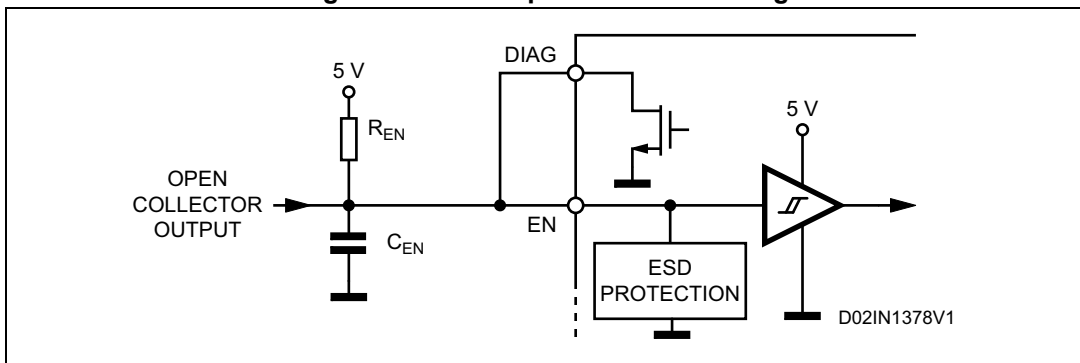
Pins FWD/REV, BRAKE, EN, H<sub>1</sub>, H<sub>2</sub> and H<sub>3</sub> are TTL/CMOS compatible logic inputs. The internal structure is shown in [Figure 6](#). Typical value for turn-ON and turn-OFF thresholds are respectively  $V_{th(ON)} = 1.8\text{ V}$  and  $V_{th(OFF)} = 1.3\text{ V}$ .

Pin EN (enable) may be used to implement overcurrent and thermal protection by connecting it to the open collector DIAG output. If the protection and an external disable function are both desired, the appropriate connection must be implemented. When the external signal is from an open collector output, the circuit in [Figure 7](#) can be used. For external circuits that are push-pull outputs the circuit in [Figure 8](#) could be used. The resistor  $R_{EN}$  should be chosen in the range from 2.2 K $\Omega$  to 180 K $\Omega$ . Recommended values for  $R_{EN}$  and  $C_{EN}$  are respectively 100 K $\Omega$  and 5.6 nF. More information for selecting the values can be found in [Section 10: Non-dissipative overcurrent detection and protection on page 22](#).

**Figure 6. Logic input internal structure**



**Figure 7. Pin EN open collector driving**



**Figure 8. Pin EN push-pull driving**

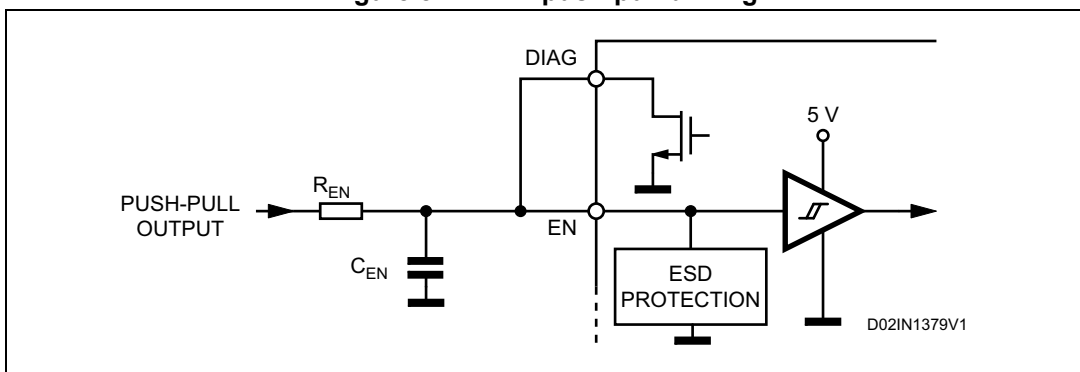




Figure 10. Output current regulation waveforms

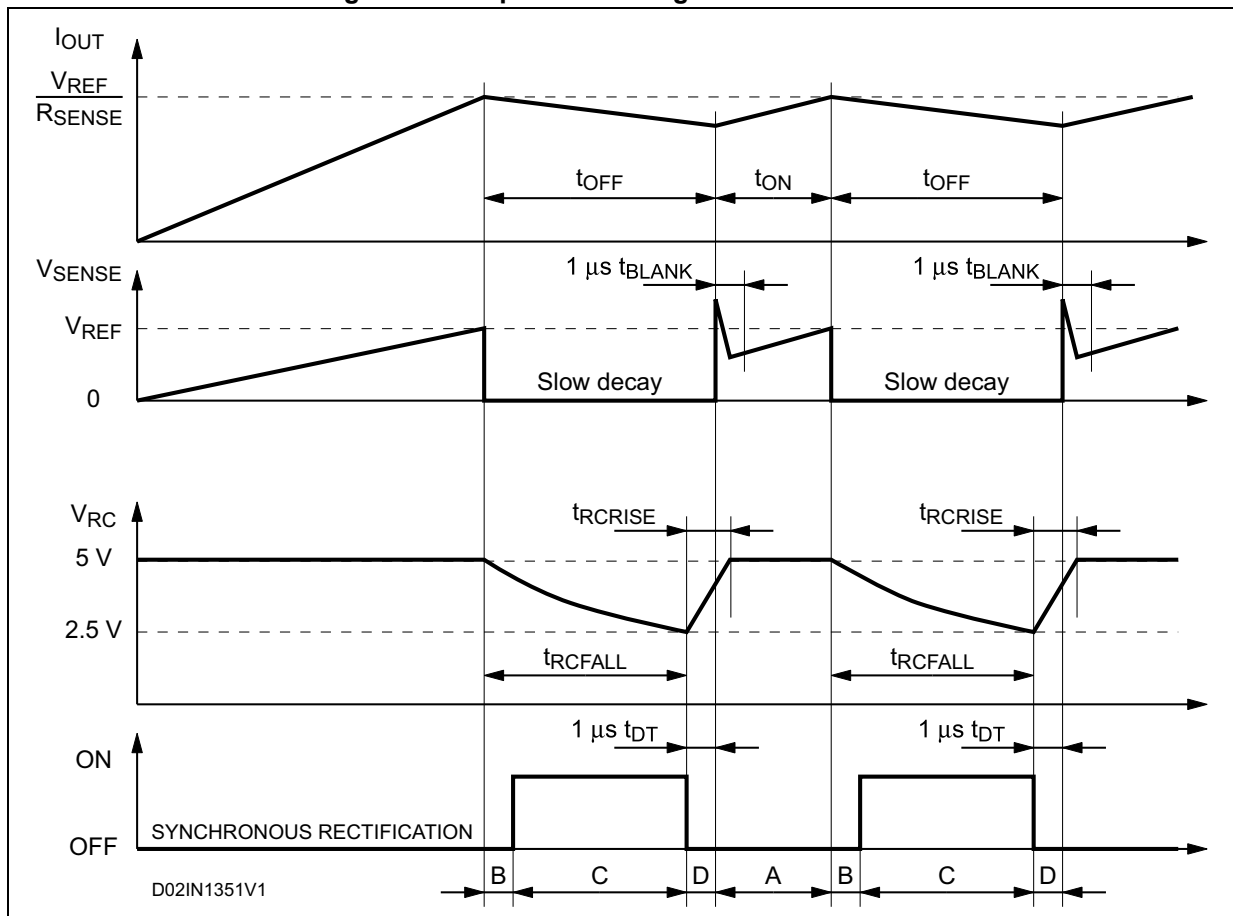


Figure 11 shows the magnitude of the off time  $t_{OFF}$  versus  $C_{OFF}$  and  $R_{OFF}$  values. It can be approximately calculated from the equations:

**Equation 1**

$$t_{RCFALL} = 0.6 \cdot R_{OFF} \cdot C_{OFF}$$

$$t_{OFF} = t_{RCFALL} + t_{DT} = 0.6 \cdot R_{OFF} \cdot C_{OFF} + t_{DT}$$

where  $R_{OFF}$  and  $C_{OFF}$  are the external component values and  $t_{DT}$  is the internally generated deadtime with:

**Equation 2**

$$20 \text{ K}\Omega \leq R_{OFF} \leq 100 \text{ K}\Omega$$

$$0.47 \text{ nF} \leq C_{OFF} \leq 100 \text{ nF}$$

$$t_{DT} = 1 \mu\text{s (typical value)}$$

Therefore:

**Equation 3**

$$t_{OFF(MIN)} = 6.6 \mu\text{s}$$

$$t_{OFF(MAX)} = 6 \text{ ms}$$

These values allow a sufficient range of  $t_{OFF}$  to implement the drive circuit for most motors.

The capacitor value chosen for  $C_{OFF}$  also affects the rise time  $t_{RCRISE}$  of the voltage at the pin RCOFF. The rise time  $t_{RCRISE}$  will only be an issue if the capacitor is not completely charged before the next time the monostable is triggered. Therefore, the on time  $t_{ON}$ , which depends by motors and supply parameters, has to be bigger than  $t_{RCRISE}$  for allowing a good current regulation by the PWM stage. Furthermore, the on time  $t_{ON}$  cannot be smaller than the minimum on time  $t_{ON(MIN)}$ .

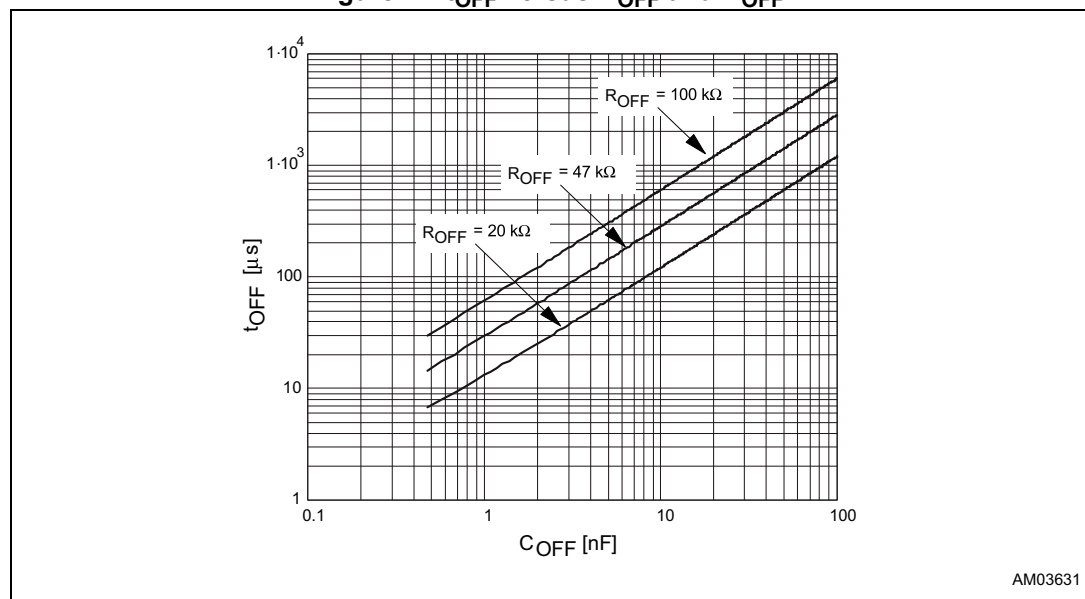
#### Equation 4

$$\begin{cases} t_{ON} > t_{ON(MIN)} = 1.5\mu\text{s (typ. value)} \\ t_{ON} > t_{RCRISE} - t_{DT} \\ t_{RCRISE} = 600 \cdot C_{OFF} \end{cases}$$

Figure 12 shows the lower limit for the on time  $t_{ON}$  for having a good PWM current regulation capacity. It has to be said that  $t_{ON}$  is always bigger than  $t_{ON(MIN)}$  because the device imposes this condition, but it can be smaller than  $t_{RCRISE} - t_{DT}$ . In this last case the device continues to work but the off time  $t_{OFF}$  is not more constant.

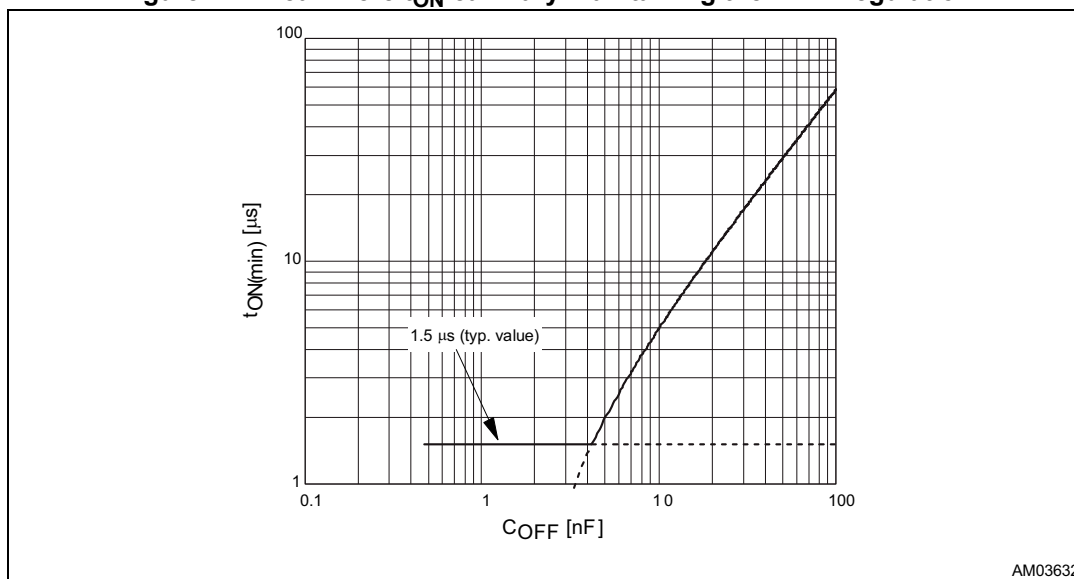
So, small  $C_{OFF}$  value gives more flexibility for the applications (allows smaller on time and, therefore, higher switching frequency), but, the smaller is the value for  $C_{OFF}$ , the more influential will be the noises on the circuit performance.

Figure 11.  $t_{OFF}$  versus  $C_{OFF}$  and  $R_{OFF}$



AM03631

Figure 12. Area where  $t_{ON}$  can vary maintaining the PWM regulation

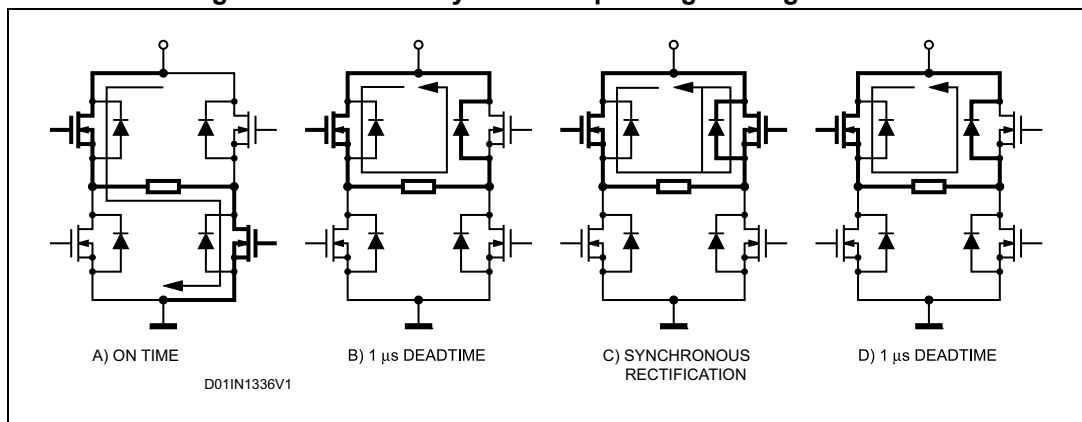




## 7 Slow decay mode

*Figure 13* shows the operation of the bridge in the slow decay mode during the off time. At any time only two legs of the 3-phase bridge are active, therefore only the two active legs of the bridge are shown in *Figure 13* and the third leg will be off. At the start of the off time, the lower power MOS is switched off and the current recirculates around the upper half of the bridge. Since the voltage across the coil is low, the current decays slowly. After the deadtime the upper power MOS is operated in the synchronous rectification mode reducing the impedance of the freewheeling diode and the related conducting losses. When the monostable times out, upper MOS that was operating the synchronous mode turns off and the lower power MOS is turned on again after some delay set by the deadtime to prevent cross conduction.

**Figure 13. Slow decay mode output stage configurations**



## 8 Decoding logic

The decoding logic section is a combinatory logic that provides the appropriate driving of the 3-phase bridge outputs according to the signals coming from the three hall sensors that detect rotor position in a 3-phase BLDC motor. This novel combinatory logic discriminates between the actual sensor positions for sensors spaced at 60, 120, 240 and 300 electrical degrees. This decoding method allows the implementation of a universal IC without dedicating pins to select the sensor configuration.

There are eight possible input combinations for three sensor inputs. Six combinations are valid for rotor positions with 120 electrical degrees sensor phasing (see [Figure 14](#), positions 1, 2, 3a, 4, 5 and 6a) and six combinations are valid for rotor positions with 60 electrical degrees phasing (see [Figure 15](#), positions 1, 2, 3b, 4, 5 and 6b). Four of them are in common (1, 2, 4 and 5) whereas there are two combinations used only in 120 electrical degrees sensor phasing (3a and 6a) and two combinations used only in 60 electrical degrees sensor phasing (3b and 6b).

The decoder can drive motors with different sensor configuration simply by following [Table 7](#). For any input configuration (H<sub>1</sub>, H<sub>2</sub> and H<sub>3</sub>) there is one output configuration (OUT<sub>1</sub>, OUT<sub>2</sub> and OUT<sub>3</sub>). The output configuration 3a is the same as 3b and analogously output configuration 6a is the same as 6b.

The sequence of the hall codes for 300 electrical degrees phasing is the reverse of 60 and the sequence of the hall codes for 240 phasing is the reverse of 120. So, by decoding the 60 and the 120 codes it is possible to drive the motor with all the four conventions by changing the direction set.

**Table 7. 60 and 120 electrical degree decoding logic in forward direction**

Hall 120°	1	2	3a	-	4	5	6a	-
Hall 60°	1	2	-	3b	4	5	-	6b
H <sub>1</sub>	H	H	L	H	L	L	H	L
H <sub>2</sub>	L	H	H	H	H	L	L	L
H <sub>3</sub>	L	L	L	H	H	H	H	L
OUT <sub>1</sub>	Vs	High Z	GND	GND	GND	High Z	Vs	Vs
OUT <sub>2</sub>	High Z	Vs	Vs	Vs	High Z	GND	GND	GND
OUT <sub>3</sub>	GND	GND	High Z	High Z	Vs	Vs	High Z	High Z
Phasing	1 -> 3	2 -> 3	2 -> 1	2 -> 1	3 -> 1	3 -> 2	1 -> 2	1 -> 2

Figure 14. 120° hall sensor sequence

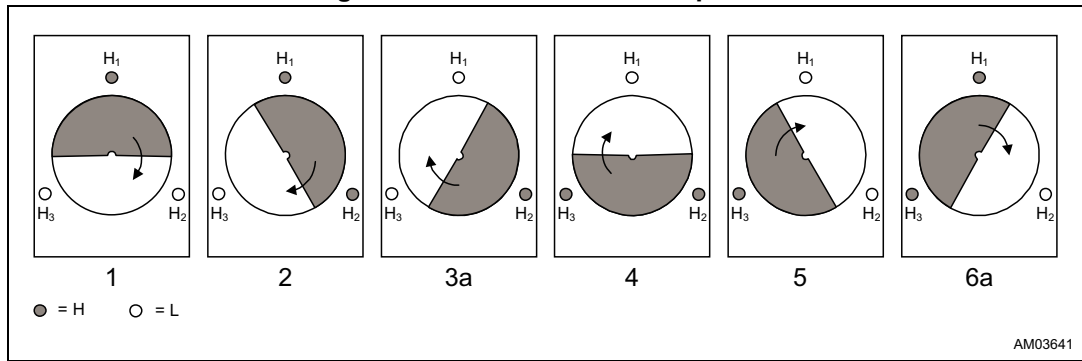
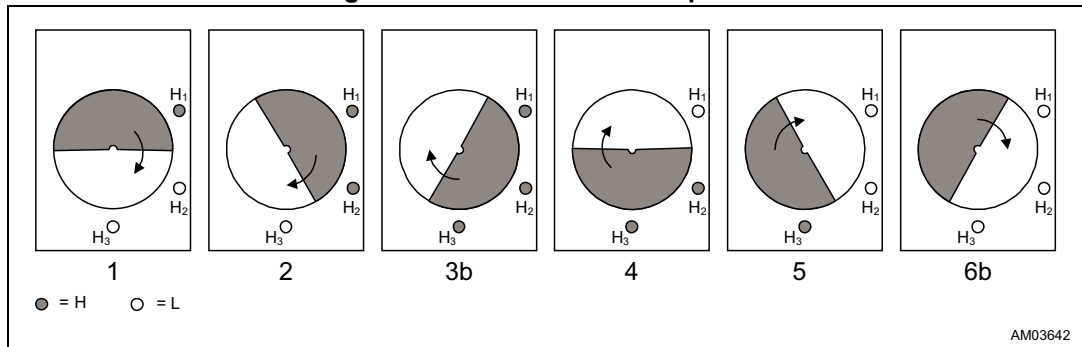


Figure 15. 60° hall sensor sequence



## 9 Tachometer

A tachometer function consists of a monostable, with constant off time ( $t_{PULSE}$ ), whose input is one hall effect signal ( $H_1$ ). It allows developing an easy speed control loop by using an external op amp, as shown in [Figure 16](#). For component values refer to [Section 11: Application information on page 25](#).

The monostable output drives an open drain output pin (TACHO). At each rising edge of the hall effect sensors  $H_1$ , the monostable is triggered and the MOSFET connected to the pin TACHO is turned off for a constant time  $t_{PULSE}$  (see [Figure 17](#)). The off time  $t_{PULSE}$  can be set using the external RC network ( $R_{PUL}$ ,  $C_{PUL}$ ) connected to the pin RCPULSE. [Figure 18](#) gives the relation between  $t_{PULSE}$  and  $C_{PUL}$ ,  $R_{PUL}$ . We have approximately:

### Equation 5

$$t_{PULSE} = 0.6 \cdot R_{PUL} \cdot C_{PUL}$$

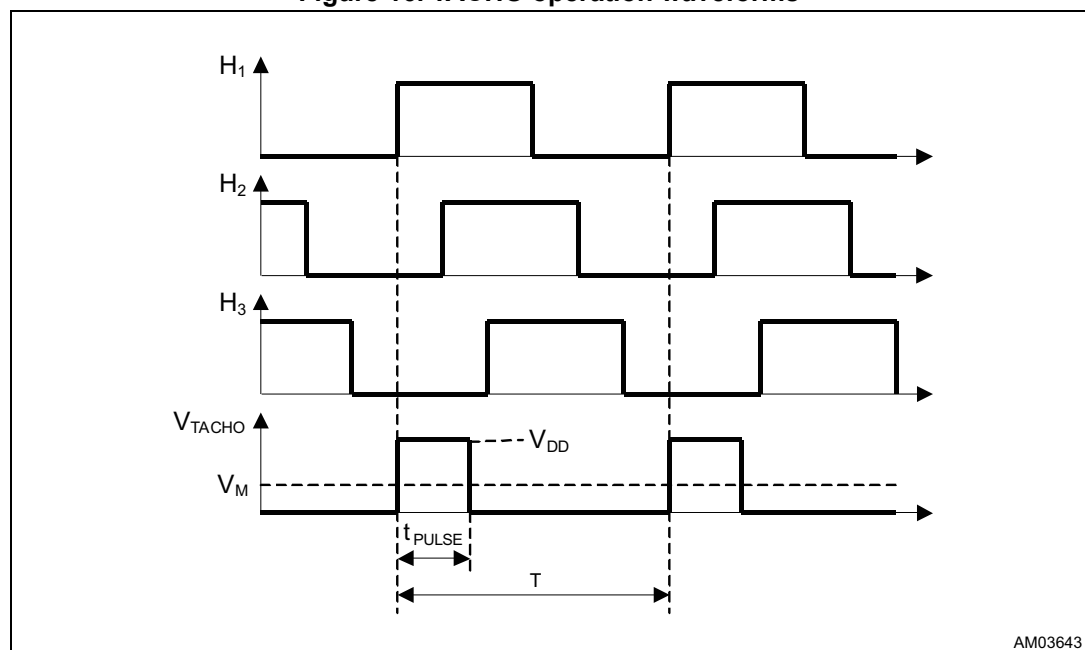
where  $C_{PUL}$  should be chosen in the range 1nF to 100 nF and  $R_{PUL}$  in the range 20 K $\Omega$  to 100 K $\Omega$ .

By connecting the tachometer pin to an external pull-up resistor, the output signal average value  $V_M$  is proportional to the frequency of the hall effect signal and, therefore, to the motor speed. This realizes a simple frequency-to-voltage converter. An op amp, configured as an integrator, filters the signal and compares it with a reference voltage  $V_{REF}$ , which sets the speed of the motor.

### Equation 6

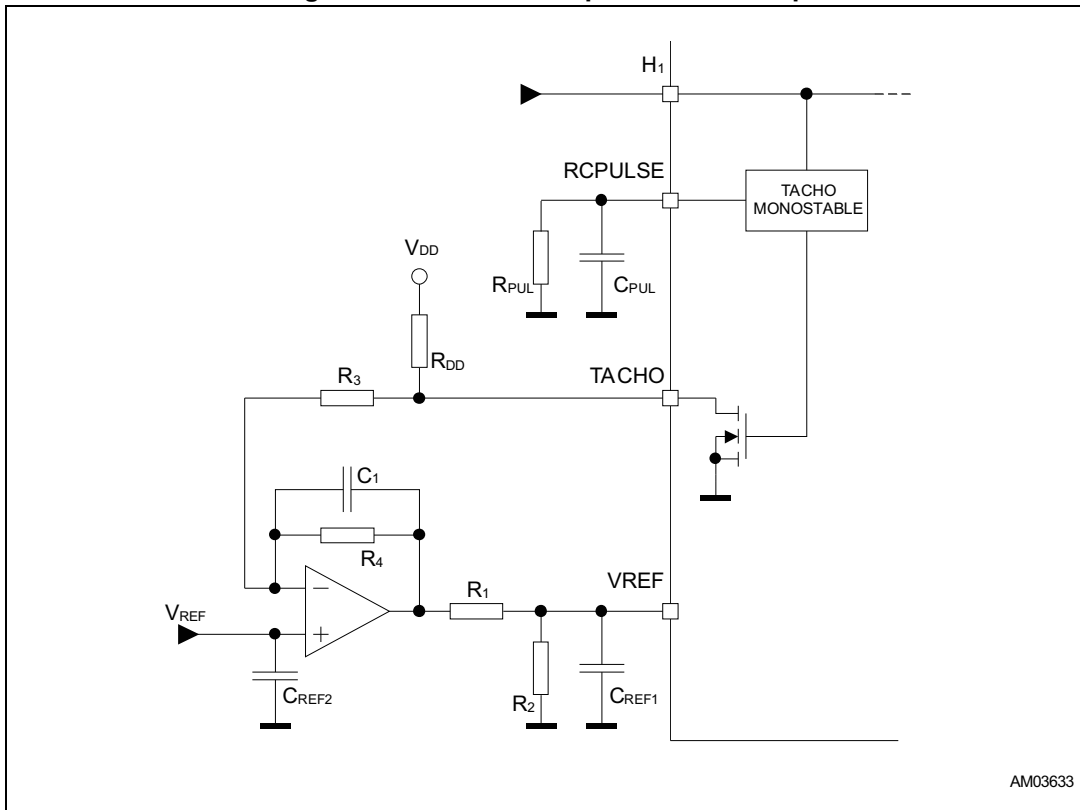
$$V_M = \frac{t_{PULSE}}{T} \cdot V_{DD}$$

Figure 16. TACHO operation waveforms



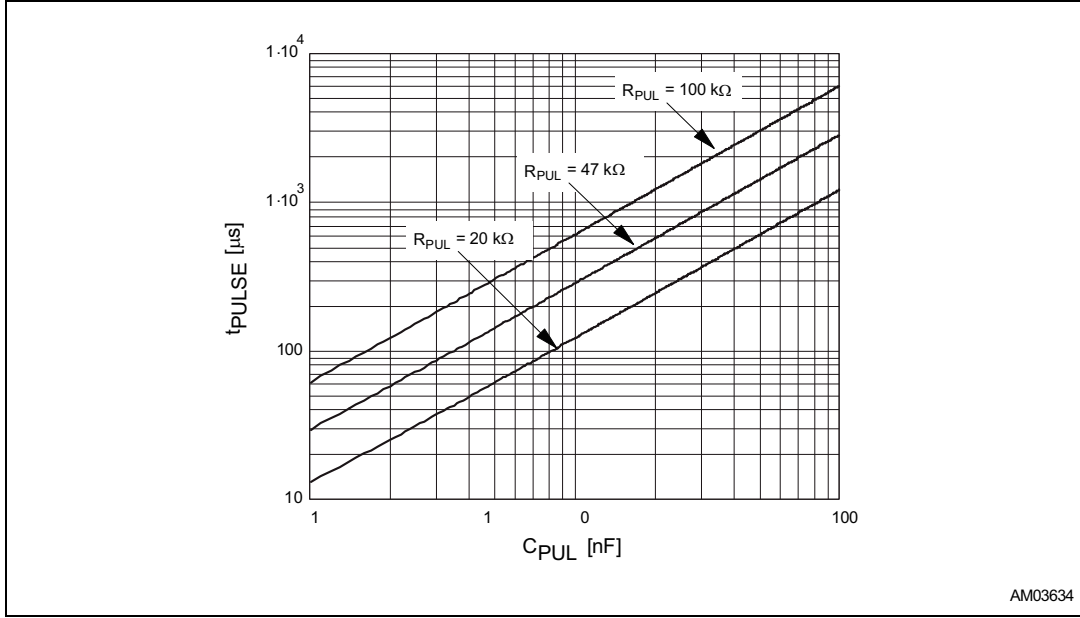
AM03643

Figure 17. Tachometer speed control loop



AM03633

Figure 18.  $t_{PULSE}$  versus  $C_{PUL}$  and  $R_{PUL}$



AM03634

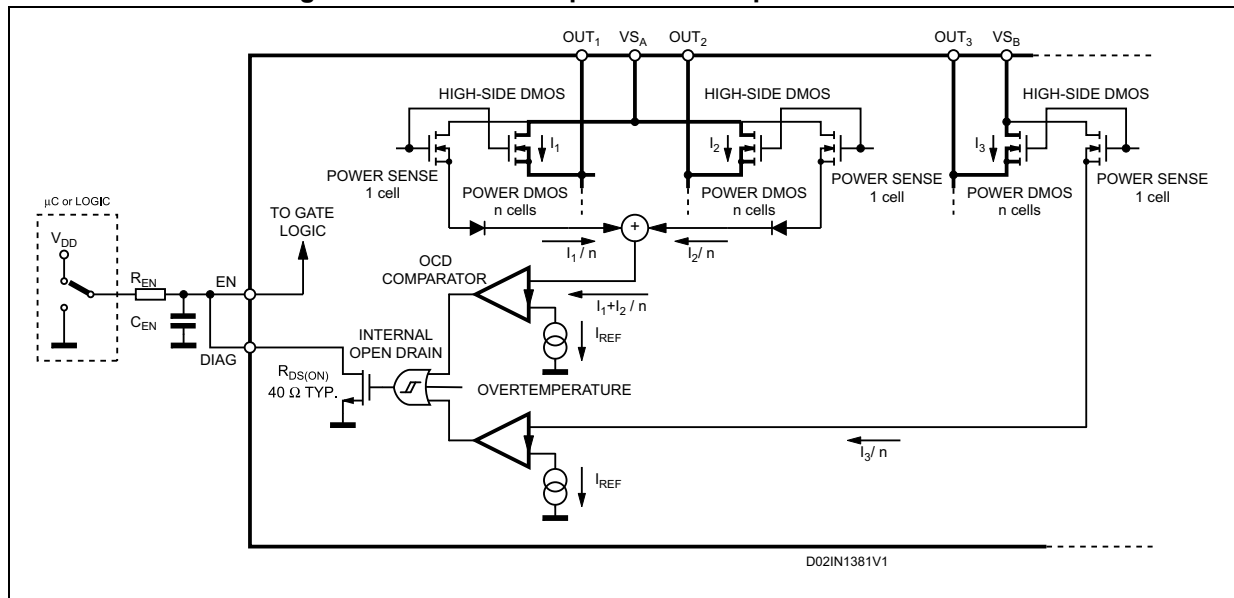
# 10 Non-dissipative overcurrent detection and protection

The L6235 device integrates an “Overcurrent Detection” circuit (OCD) for full protection. This circuit provides output to output and output to ground short-circuit protection as well. With this internal overcurrent detection, the external current sense resistor normally used and its associated power dissipation are eliminated. *Figure 19* shows a simplified schematic for the overcurrent detection circuit.

To implement the overcurrent detection, a sensing element that delivers a small but precise fraction of the output current is implemented with each high-side power MOS. Since this current is a small fraction of the output current there is very little additional power dissipation. This current is compared with an internal reference current  $I_{REF}$ . When the output current reaches the detection threshold (typically  $I_{SOVER} = 5.6\text{ A}$ ) the OCD comparator signals a fault condition. When a fault condition is detected, an internal open drain MOS with a pull down capability of 4 mA connected to pin DIAG is turned on.

The pin DIAG can be used to signal the fault condition to a  $\mu\text{C}$  or to shut down the 3-phase bridge simply by connecting it to pin EN and adding an external R-C (see  $R_{EN}$ ,  $C_{EN}$ ).

**Figure 19. Overcurrent protection simplified schematic**



*Figure 20* shows the overcurrent detection operation. The disable time  $t_{DISABLE}$  before recovering normal operation can be easily programmed by means of the accurate thresholds of the logic inputs. It is affected whether by  $C_{EN}$  and  $R_{EN}$  values and its magnitude is reported in *Figure 21*. The delay time  $t_{DELAY}$  before turning off the bridge when an overcurrent has been detected depends only by  $C_{EN}$  value. Its magnitude is reported in *Figure 22*.

$C_{EN}$  is also used for providing immunity to pin EN against fast transient noises. Therefore the value of  $C_{EN}$  should be chosen as big as possible according to the maximum tolerable delay time and the  $R_{EN}$  value should be chosen according to the desired disable time.

The resistor  $R_{EN}$  should be chosen in the range from 2.2 K $\Omega$  to 180 K $\Omega$ . Recommended values for  $R_{EN}$  and  $C_{EN}$  are respectively 100 K $\Omega$  and 5.6 nF that allow obtaining 200  $\mu\text{s}$  disable time.

Figure 20. Overcurrent protection waveforms

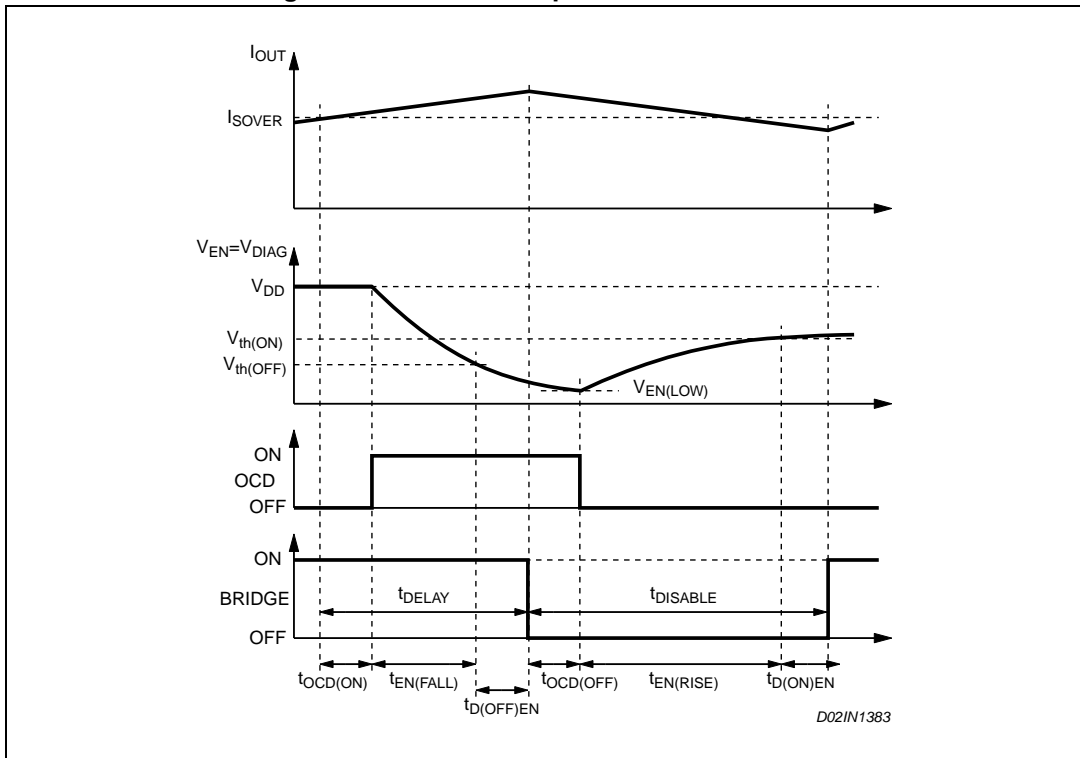


Figure 21. t<sub>DISABLE</sub> versus C<sub>EN</sub> and R<sub>EN</sub>

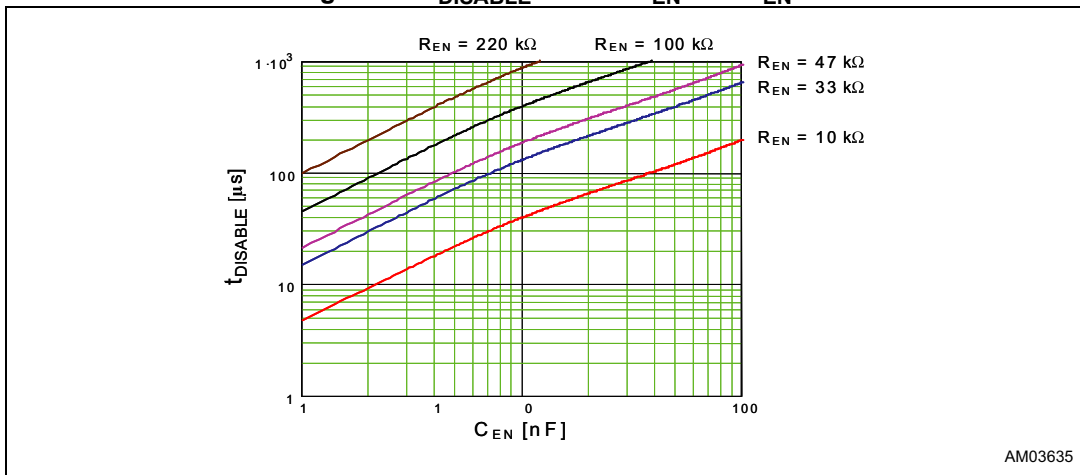
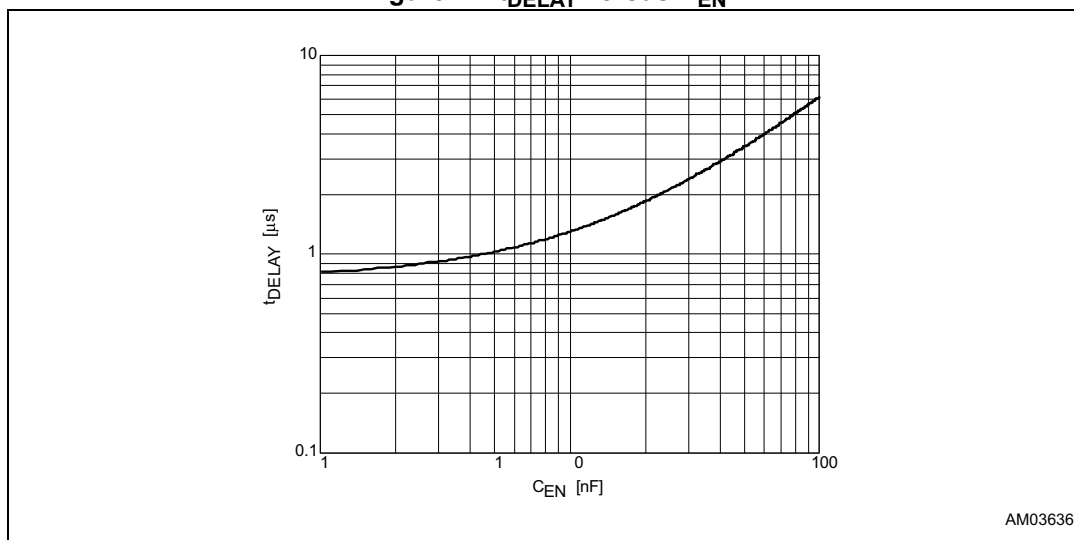


Figure 22.  $t_{DELAY}$  versus  $C_{EN}$





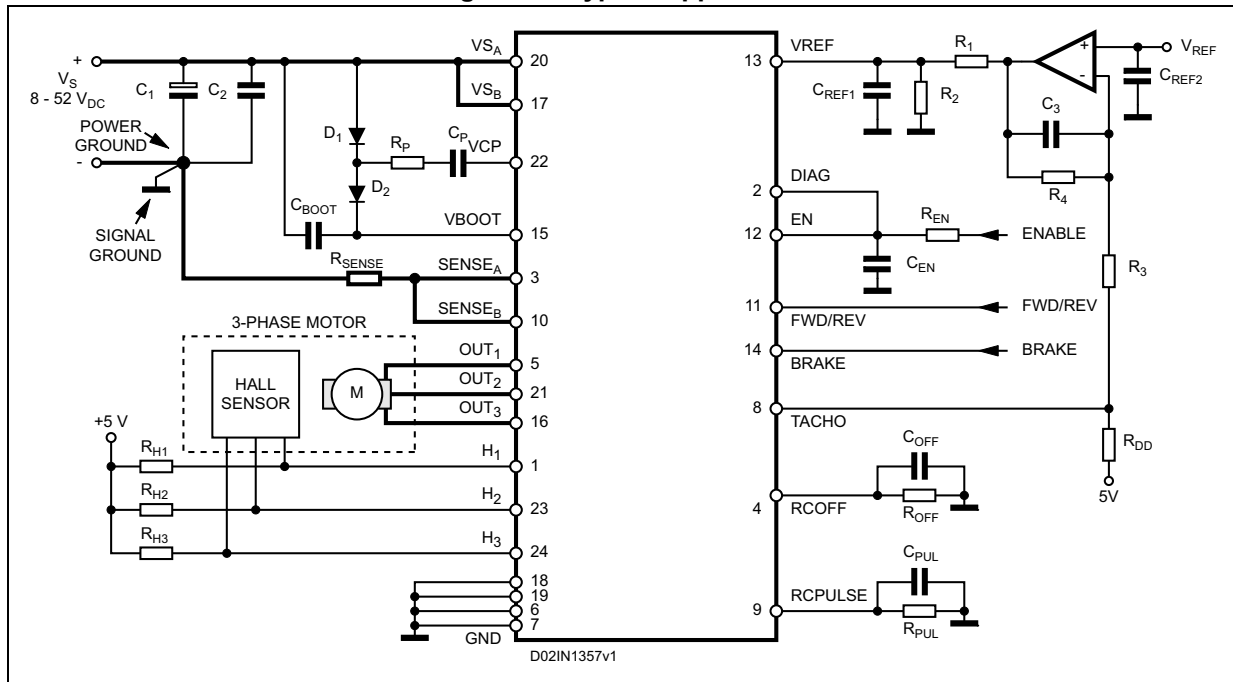
## 11 Application information

A typical application using the L6235 device is shown in [Figure 23](#). Typical component values for the application are shown in [Table 8](#). A high quality ceramic capacitor ( $C_2$ ) in the range of 100 nF to 200 nF should be placed between the power pins  $VS_A$  and  $VS_B$  and ground near the L6235 device to improve the high frequency filtering on the power supply and reduce high frequency transients generated by the switching. The capacitor ( $C_{EN}$ ) connected from the EN input to ground sets the shutdown time when an overcurrent is detected (see [Section 10: Non-dissipative overcurrent detection and protection](#)). The two current sensing inputs ( $SENSE_A$  and  $SENSE_B$ ) should be connected to the sensing resistor  $R_{SENSE}$  with a trace length as short as possible in the layout. The sense resistor should be non-inductive resistor to minimize the di/dt transients across the resistor. To increase noise immunity, unused logic pins are best connected to 5 V (high logic level) or GND (low logic level) (see [Table 4: Pin description on page 6](#)). It is recommended to keep power ground and signal ground separated on the PCB.

**Table 8. Component values for typical application**

Component	Value
$C_1$	100 $\mu$ F
$C_2$	100 nF
$C_3$	220 nF
$C_{BOOT}$	220 nF
$C_{OFF}$	1 nF
$C_{PUL}$	10 nF
$C_{REF1}$	33 nF
$C_{REF2}$	100 nF
$C_{EN}$	5.6 nF
$C_P$	10 nF
$D_1$	1N4148
$D_2$	1N4148
$R_1$	5.6 K $\Omega$
$R_2$	1.8 K $\Omega$
$R_3$	4.7 K $\Omega$
$R_4$	1 M $\Omega$
$R_{DD}$	1 K $\Omega$
$R_{EN}$	100 K $\Omega$
$R_P$	100 $\Omega$
$R_{SENSE}$	0.3 $\Omega$
$R_{OFF}$	33 K $\Omega$
$R_{PUL}$	47 K $\Omega$
$R_{H1}, R_{H2}, R_{H3}$	10 K $\Omega$

Figure 23. Typical application

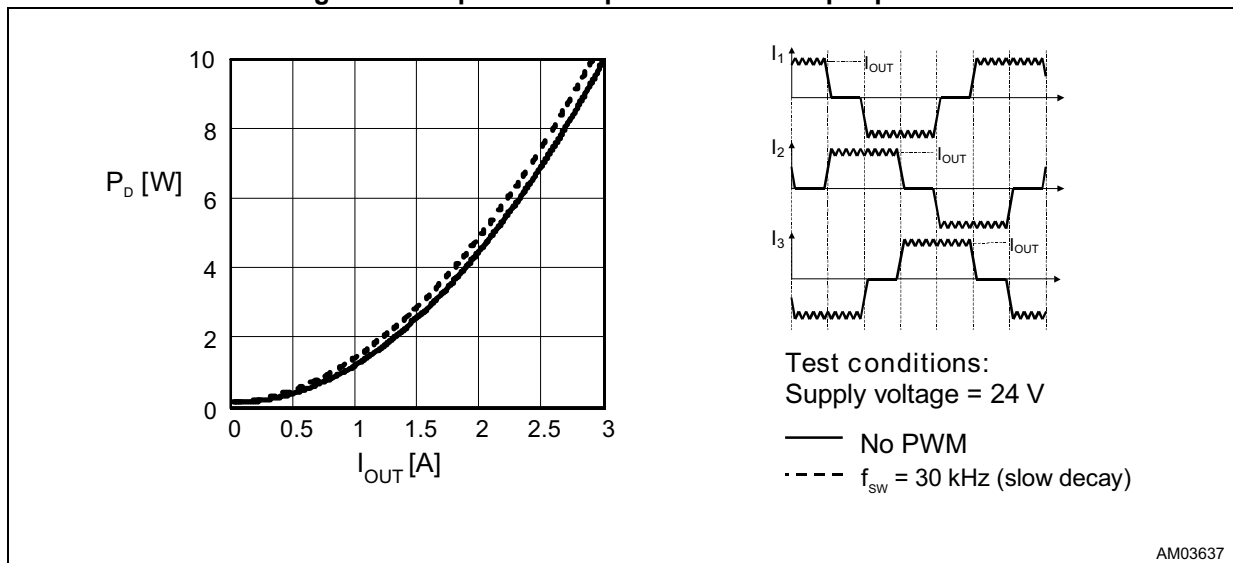


### 11.1 Output current capability and IC power dissipation

In [Figure 24](#) is shown the approximate relation between the output current and the IC power dissipation using PWM current control.

For a given output current the power dissipated by the IC can be easily evaluated, in order to establish which package should be used and how large must be the on-board copper dissipating area to guarantee a safe operating junction temperature (125 °C maximum).

Figure 24. IC power dissipation versus output power



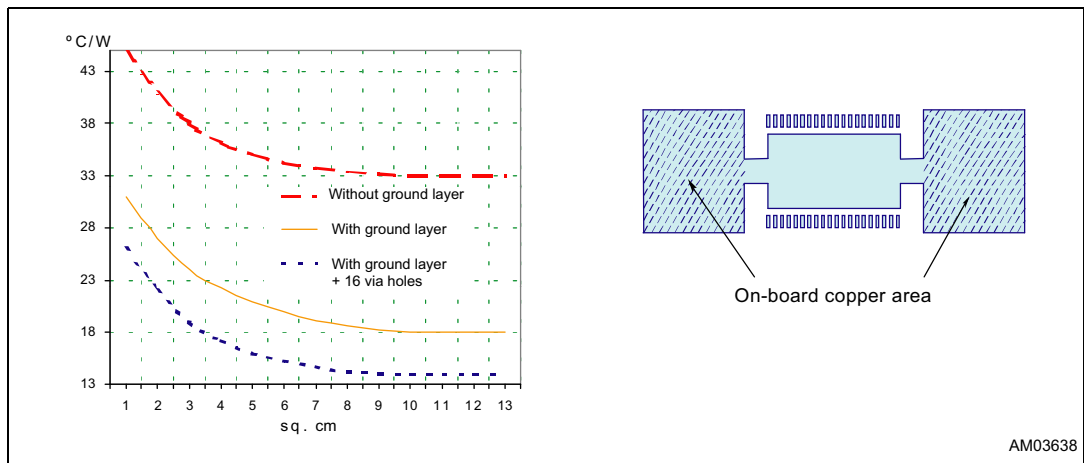
AM03637

## 11.2 Thermal management

In most applications the power dissipation in the IC is the main factor that sets the maximum current that can be delivered by the device in a safe operating condition. Selecting the appropriate package and heatsinking configuration for the application is required to maintain the IC within the allowed operating temperature range for the application. *Figure 25* and *26* show the junction to ambient thermal resistance values for the PowerSO36 and SO24 packages.

For instance, using a PowerSO package with a copper slug soldered on a 1.5 mm copper thickness FR4 board with a 6 cm<sup>2</sup> dissipating footprint (copper thickness of 35 μm), the  $R_{th(j-amb)}$  is about 35 °C/W. *Figure 27* shows mounting methods for this package. Using a multilayer board with vias to a ground plane, thermal impedance can be reduced down to 15 °C/W.

**Figure 25. PowerSO36 junction ambient thermal resistance versus on-board copper area**



**Figure 26. SO24 junction ambient thermal resistance versus on-board copper area**

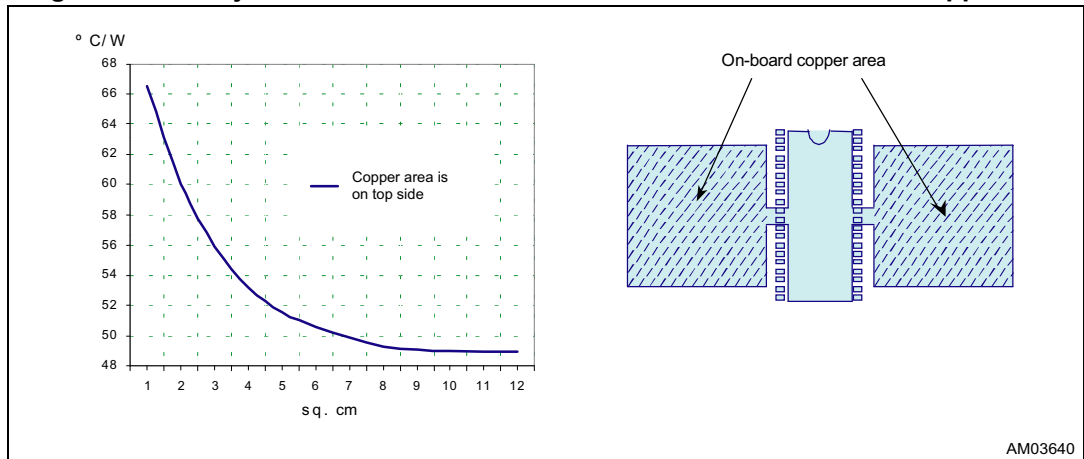
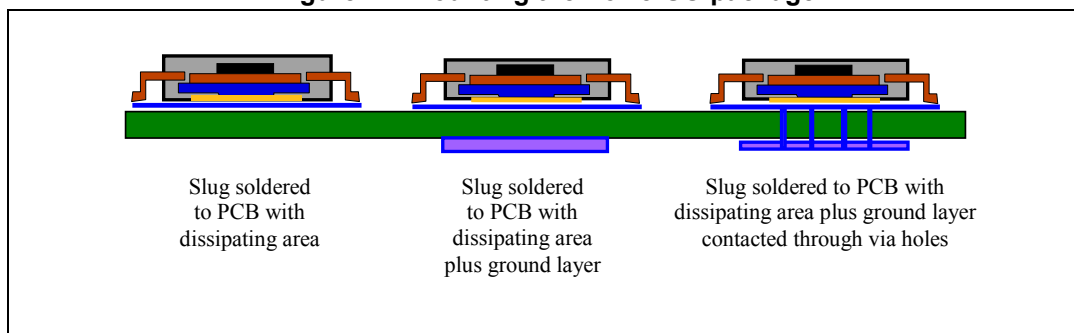
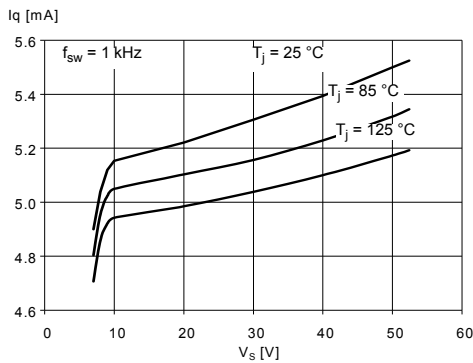


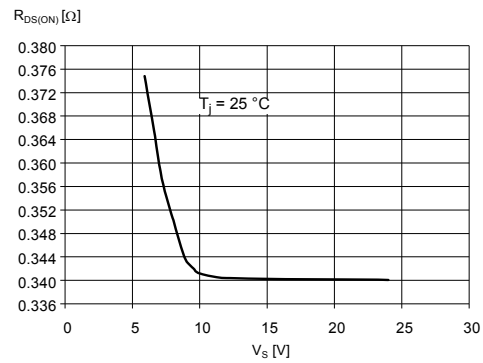
Figure 27. Mounting the PowerSO package



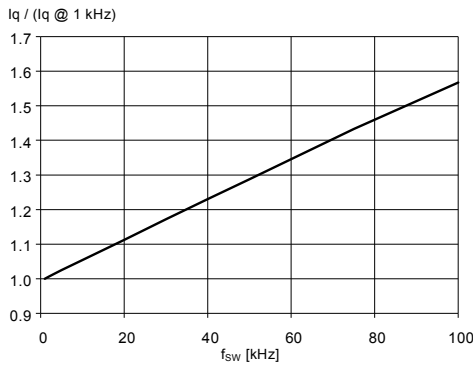
**Figure 28. Typical quiescent current vs. supply voltage**



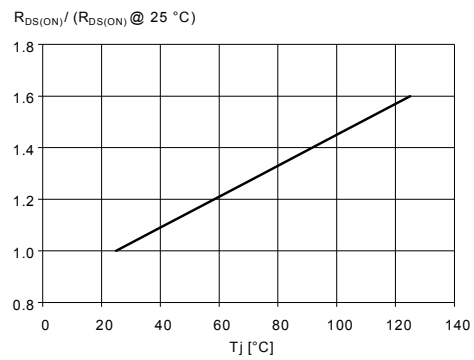
**Figure 29. Typical high-side  $R_{DS(ON)}$  vs. supply voltage**



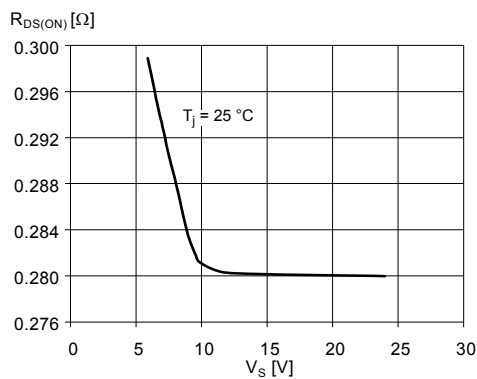
**Figure 30. Normalized typical quiescent current vs. switching frequency**



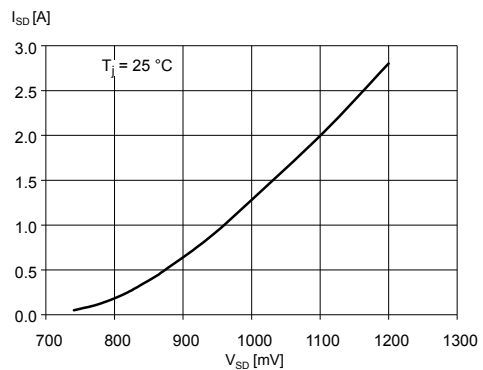
**Figure 31. Normalized  $R_{DS(ON)}$  vs. junction temperature (typical value)**



**Figure 32. Typical low-side  $R_{DS(ON)}$  vs. supply voltage**



**Figure 33. Typical drain-source diode forward ON characteristic**



## 12 Package information

In order to meet environmental requirements, ST offers these devices in different grades of ECOPACK® packages, depending on their level of environmental compliance. ECOPACK specifications, grade definitions and product status are available at: [www.st.com](http://www.st.com). ECOPACK is an ST trademark.

### 12.1 PowerSO36 package information

Figure 34. PowerSO36 package outline



Table 9. PowerSO36 package mechanical data

Symbol	Dimensions					
	mm			inch		
	Min.	Typ.	Max.	Min.	Typ.	Max.
A	-	-	3.60	-	-	0.141
a1	0.10	-	0.30	0.004	-	0.012
a2	-	-	3.30	-	-	0.130
a3	0	-	0.10	0	-	0.004
b	0.22	-	0.38	0.008	-	0.015
c	0.23	-	0.32	0.009	-	0.012
D <sup>(1)</sup>	15.80	-	16.00	0.622	-	0.630
D1	9.40	-	9.80	0.370	-	0.385
E	13.90	-	14.50	0.547	-	0.570
e	-	0.65	-	-	0.0256	-
e3	-	11.05	-	-	0.435	-
E1 <sup>(1)</sup>	10.90	-	11.10	0.429	-	0.437
E2	-	-	2.90	-	-	0.114
E3	5.80	-	6.20	0.228	-	0.244
E4	2.90	-	3.20	0.114	-	0.126
G	0	-	0.10	0	-	0.004
H	15.50	-	15.90	0.610	-	0.626
h	-	-	1.10	-	-	0.043
L	0.80	-	1.10	0.031	-	0.043
N	10° (max.)					
S	8° (max.)					

1. "D" and "E1" do not include mold flash or protrusions.
  - Mold flash or protrusions shall not exceed 0.15 mm (0.006 inch).
  - Critical dimensions are "a3", "E" and "G".

## 12.2 SO24 package information

Figure 35. SO24 package outline



Table 10. SO24 package mechanical data

Symbol	Dimensions (mm)			Dimensions (inch)		
	Min.	Typ.	Max.	Min.	Typ.	Max.
A	2.35	-	2.65	0.093	-	0.104
A1	0.10	-	0.30	0.004	-	0.012
B	0.33	-	0.51	0.013	-	0.020
C	0.23	-	0.32	0.009	-	0.013
D <sup>(1)</sup>	15.20	-	15.60	0.598	-	0.614
E	7.40	-	7.60	0.291	-	0.299
e	-	1.27	-	-	0.050	-
H	10.0	-	10.65	0.394	-	0.419
h	0.25	-	0.75	0.010	-	0.030
L	0.40	-	1.27	0.016	-	0.050
k	0° (min.), 8° (max.)					
ddd	-	-	0.10	-	-	0.004

1. "D" dimension does not include mold flash, protrusions or gate burrs. Mold flash, protrusions or gate burrs shall not exceed 0.15 mm per side.



## 13 Revision history

**Table 11. Document revision history**

Date	Revision	Changes
03-Sep-2003	1	Initial release.
03-Mar-2014	2	<p>Updated <i>Section : Description on page 1</i> (removed “MultiPower-” from “MultiPower-BCD technology”). Added <i>Contents on page 2</i>.</p> <p>Updated <i>Section 1 on page 3</i> (added section title, numbered and moved <i>Figure 1: Block diagram</i> from page 1 to page 3).</p> <p>Added title to <i>Section 2 on page 4</i>, added numbers and titles from <i>Table 1 to Table 3</i>.</p> <p>Added title to <i>Section 3 on page 6</i>, added number and title to <i>Figure 2</i>, renumbered note 1 below <i>Figure 2</i>, added title to <i>Table 4</i>.</p> <p>Added title to <i>Section 4 on page 8</i>, added title and number to <i>Table 5</i>, renumbered notes 1 to 4 below <i>Table 5</i>. Renumbered <i>Figure 3</i> and <i>Figure 4</i>.</p> <p>Added section numbers to <i>Section 5 on page 11</i>, <i>Section 5.1</i> and <i>Section 5.2</i>. Removed “and <math>\mu\text{C}</math>” from first sentence in <i>Section 5.2</i>. Renumbered <i>Table 6</i>, added header to <i>Table 6</i>. Renumbered <i>Figure 5</i> to <i>Figure 8</i>.</p> <p>Added section numbers to <i>Section 6 on page 13</i>. Renumbered <i>Figure 9</i> to <i>Figure 12</i>. Numbered <i>Equation 1</i> to <i>Equation 4</i>.</p> <p>Added section number to <i>Section 7 on page 17</i>. Renumbered <i>Figure 13</i>.</p> <p>Added section number to <i>Section 8 on page 18</i>. Renumbered <i>Table 7</i>. Renumbered <i>Figure 14</i> and <i>Figure 15</i>.</p> <p>Added section number to <i>Section 9 on page 20</i>. Renumbered <i>Figure 16</i> to <i>Figure 18</i>. Numbered <i>Equation 5</i> and <i>Equation 6</i>.</p> <p>Added section number to <i>Section 10 on page 22</i>. Renumbered <i>Figure 19</i> to <i>Figure 22</i>.</p> <p>Added section numbers to <i>Section 11 on page 25</i>, <i>Section 11.1</i> and <i>Section 11.2</i>. Renumbered <i>Table 8</i>, added header to <i>Table 8</i>. Renumbered <i>Figure 23</i> to <i>Figure 34</i>.</p> <p>Updated <i>Section on page 34</i> (added main title and ECOPACK text. Added titles from <i>Table 9</i> to <i>Table 11</i> and from <i>Figure 35</i> to <i>Figure 37</i>, reversed order of named tables and figures. Removed 3D figures of packages, replaced 0.200 by 0.020 inch of max. B value in <i>Table 11</i>).</p> <p>Added cross-references throughout document.</p> <p>Added <i>Section 13</i> and <i>Table 12</i>.</p> <p>Minor modifications throughout document.</p>
15-Oct-2014	3	<p>Updated <i>Table 5 on page 8</i> (replaced units “W” by “<math>\Omega</math>”, updated cross-references to notes of <math>I_{\text{SOVER}}</math> and <math>t_{\text{OCD(OFF)}}</math> symbols).</p> <p>Minor modifications throughout document.</p>
04-Oct-2018	4	<p>Removed PowerDIP24 package from the whole document.</p> <p>Removed “<math>T_j</math>” from <i>Table 2 on page 4</i>.</p> <p>Minor modifications throughout document.</p>

**IMPORTANT NOTICE – PLEASE READ CAREFULLY**

STMicroelectronics NV and its subsidiaries (“ST”) reserve the right to make changes, corrections, enhancements, modifications, and improvements to ST products and/or to this document at any time without notice. Purchasers should obtain the latest relevant information on ST products before placing orders. ST products are sold pursuant to ST’s terms and conditions of sale in place at the time of order acknowledgement.

Purchasers are solely responsible for the choice, selection, and use of ST products and ST assumes no liability for application assistance or the design of Purchasers’ products.

No license, express or implied, to any intellectual property right is granted by ST herein.

Resale of ST products with provisions different from the information set forth herein shall void any warranty granted by ST for such product.

ST and the ST logo are trademarks of ST. All other product or service names are the property of their respective owners.

Information in this document supersedes and replaces information previously supplied in any prior versions of this document.

© 2018 STMicroelectronics – All rights reserved



Компания «ЭлектроПласт» предлагает заключение долгосрочных отношений при поставках импортных электронных компонентов на взаимовыгодных условиях!

Наши преимущества:

- Оперативные поставки широкого спектра электронных компонентов отечественного и импортного производства напрямую от производителей и с крупнейших мировых складов;
- Поставка более 17-ти миллионов наименований электронных компонентов;
- Поставка сложных, дефицитных, либо снятых с производства позиций;
- Оперативные сроки поставки под заказ (от 5 рабочих дней);
- Экспресс доставка в любую точку России;
- Техническая поддержка проекта, помощь в подборе аналогов, поставка прототипов;
- Система менеджмента качества сертифицирована по Международному стандарту ISO 9001;
- Лицензия ФСБ на осуществление работ с использованием сведений, составляющих государственную тайну;
- Поставка специализированных компонентов (Xilinx, Altera, Analog Devices, Intersil, Interpoint, Microsemi, Aeroflex, Peregrine, Syfer, Eurofarad, Texas Instrument, Miteq, Cobham, E2V, MA-COM, Hittite, Mini-Circuits, General Dynamics и др.);

Помимо этого, одним из направлений компании «ЭлектроПласт» является направление «Источники питания». Мы предлагаем Вам помощь Конструкторского отдела:

- Подбор оптимального решения, техническое обоснование при выборе компонента;
- Подбор аналогов;
- Консультации по применению компонента;
- Поставка образцов и прототипов;
- Техническая поддержка проекта;
- Защита от снятия компонента с производства.



#### Как с нами связаться

**Телефон:** 8 (812) 309 58 32 (многоканальный)

**Факс:** 8 (812) 320-02-42

**Электронная почта:** [org@eplast1.ru](mailto:org@eplast1.ru)

**Адрес:** 198099, г. Санкт-Петербург, ул. Калинина, дом 2, корпус 4, литера А.