



HALF-SIZE CRYSTAL CAN MAGNETIC-LATCHING MILITARY RELAY DPDT



SERIES	RELAY TYPE
255 / 257	Commercial magnetic-latching DPDT half-size crystal can relay
J255	Magnetic-Latching DPDT half-size crystal can relay qualified to MIL-PRF-39016/45

DESCRIPTION

The Series J255 / 255 / 257 is an industry-standard, half-size, latching crystal can relay. It has a wide range of switching capabilities ranging from low level to 2 amps. The Series J255 / 255 / 257 latching relay configuration is double-pole double-throw (DPDT), so the relay offers excellent switching density and versatility

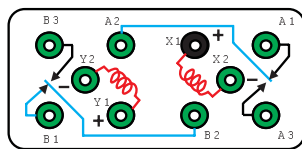
The J255 / 255 / 257 features:

- Low level to 2 amps
- Wide range of switching capabilities
- Smallest relay package capable of switching 2 amps
- Modernized assembly process
- Qualified to MIL-PRF-39016/45 (J255 only)

Teledyne Relays' Series J255/255/257 offers:

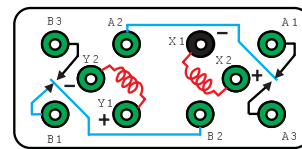
- All welded construction.
- Wire leads, gold-plated or solder-coated
- Matched seal for superior hermeticity
- Gold-plated contact assembly
- Advanced cleaning techniques

SCHEMATICS



J255 / 225

(Shown with coil X last energized)



257

(Shown with coil X last energized)

ENVIRONMENTAL AND PHYSICAL SPECIFICATIONS

Temperature (Ambient)	-65°C to +125°C
Vibration (General Note I)	30 g's 10 to 2500 Hz
Shock (General Note I)	100 g's, 6ms half sine
Enclosure	Hermetically sealed
Weight	0.46 oz. (13g) max.

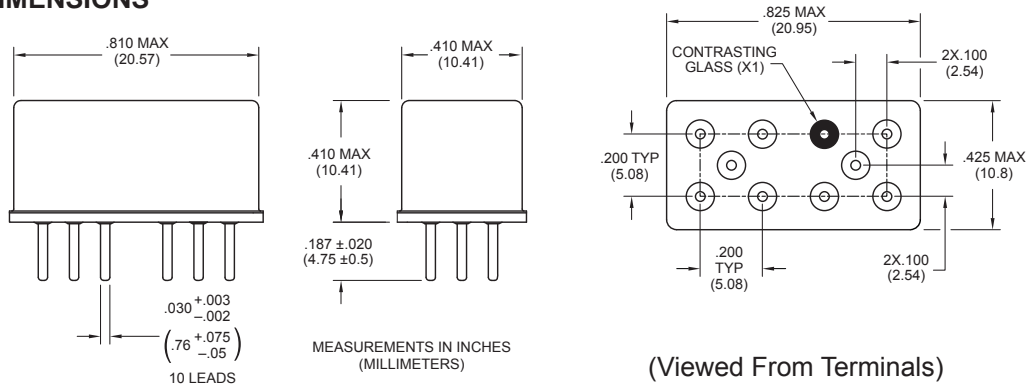
SERIES J255 / 255 / 257
GENERAL ELECTRICAL SPECIFICATIONS (@25°C)

Contact Arrangement	2 Form C (DPDT)		
Contact Resistance	Low Level: 0.05 Ω max. before life 0.15 Ω max after life High Level: 0.05 Ω max before life 0.10 Ω max after life		
Contact Load Rating (DC)	Resistive: 2 A / 28 Vdc Inductive: 750 mA / 28 Vdc (320mH) Lamp: 160 mA / 28 Vdc (320mH) Low level: 10 to 50 μA @ 10 to 50 mV		
Contact Load Rating (AC)	Resistive: 150 mA / 115 Vac, 60 and 400 Hz (Case grounded)		
Contact Life Ratings	1,000,000 cycles (typical) at low level 100,000 cycles (typical) at 0.5 A / 28 Vdc resistive 100,000 cycles min. at all other loads specified above		
Contact Overload Rating	4 A / 28 Vdc Resistive (100 cycles min.)		
Contact Bounce	4.0 ms maximum		
Operating Time	3.0 ms maximum at nominal rated coil voltage		
Minimum Operate Pulse	9 ms at nominal rated coil voltage		
Insulation Resistance	1,000 MΩ min. between mutually isolated terminals		
Dielectric Strength	Between case, frame or enclosure and all contacts in the latched and non-latched positions	Sea Level 1,000 Vrms (60Hz)	Sea Level 350 Vrms (60Hz)
	Between case, frame or enclosure and coils	500 Vrms (60Hz)	350 Vrms (60Hz)
	Between all contacts and coils	1,000 Vrms (60Hz)	350 Vrms (60Hz)
	Between open contacts in the latched and non-latched positions	500 Vrms (60Hz)	350 Vrms (60Hz)
	Between coils	500 Vrms (60Hz)	350 Vrms (60Hz)
	Between contact poles	1,000 Vrms (60Hz)	350 Vrms (60Hz)

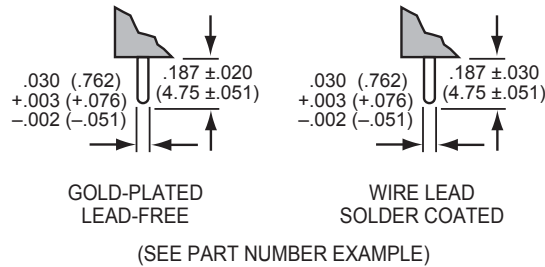
DETAILED ELECTRICAL SPECIFICATIONS (@25°C)

BASE PART NUMBERS (255, 257 , J255)		255-5 257-5 J255-5	255-6 257-6 J255-6	255-12 257-12 J255-12	255-26 257-26 J255-26
Coil Voltage (Vdc)	Nom.	5.0	6.0	12.0	26.5
	Max.	6.7	8.0	16.0	32.0
Latch and Reset Voltage (Vdc)	Min.	1.0	1.3	2.6	5.2
	Max.	3.8	4.5	9.0	18.0
Coil Resistance (Ohms ±10%)		45	63	254	1000

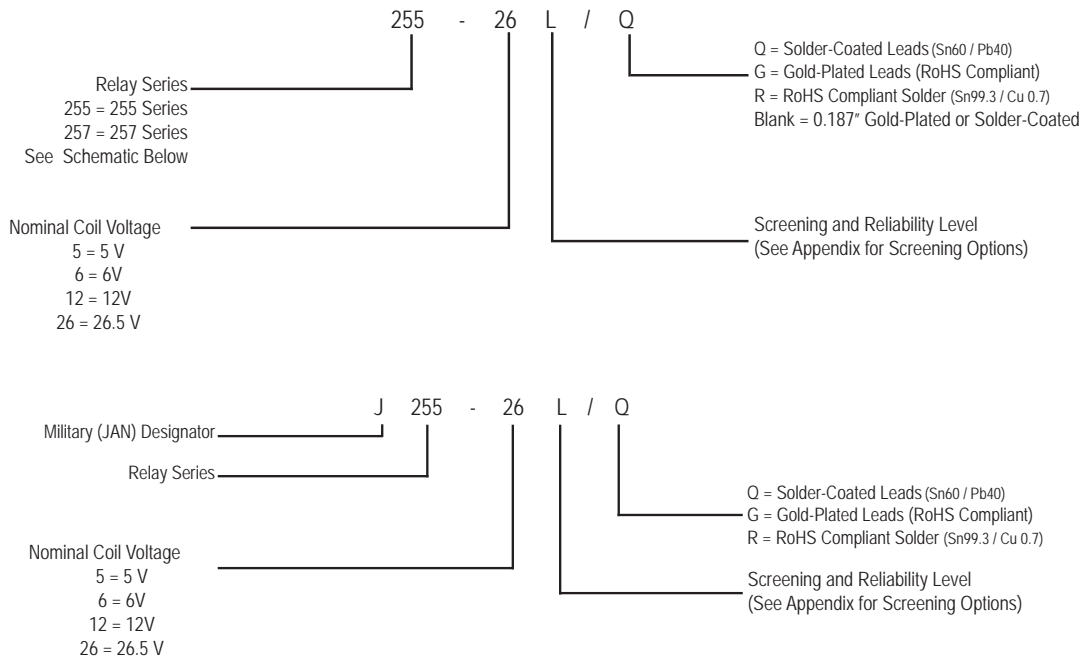
SERIES J255 / 255 / 257
OUTLINE DIMENSIONS



TERMINAL CONNECTIONS



Part Numbering System



GENERAL NOTES

1. Vibration (sinusoidal): MIL-STD-202, method 204, test condition D (except frequency shall be 10 to 2,500 Hz). Contact chatter shall not exceed 10 μ s maximum for closed contacts, and 1 μ s maximum closure for open contacts. Vibration (random): MIL-STD-202, method 214, test condition IG. Contact chatter shall not exceed 10 μ s maximum for closed contacts, and 1 μ s maximum closure for open contacts (applicable to qualification and group C testing only).
2. Shock (half-sine pulse): MIL-STD-202, method 213, test condition C (100 g's). Contact chatter shall not exceed 10 μ s maximum for closed contacts, and 1 μ s maximum closure for open contacts.
3. Dimensions are in inches. Metric equivalents in parentheses for reference only.
4. Unless otherwise specified, tolerance is \pm .010 (0.25mm).
5. Indicated terminal is marked with a contrasting bead.
6. Unless otherwise specified, relays will be supplied with either gold-plated or solder coated leads. The slash and characters appearing after the slash are not marked on the relay.
7. When latching relays are installed in equipment, the latch and reset coils should not be pulsed simultaneously.
8. Each relay possesses high-level and low level capabilities. However, relays previously tested or used above 10 mA resistive at 6 Vdc maximum or peak AC open circuits not recommended for subsequent use in low-level applications.
9. Relays may be subjected to 260°C (1 minute) peak solder reflow temperature.
10. For HI-REL applications, contact factory at (800) 284-7007.
11. The suffix letter L and M to designate the applicable failure rate level shall be added to the applicable listed dash number. Failure rate level (percent per 10,000 cycles): L = 3.0; M = 1.0.



Компания «ЭлектроПласт» предлагает заключение долгосрочных отношений при поставках импортных электронных компонентов на взаимовыгодных условиях!

Наши преимущества:

- Оперативные поставки широкого спектра электронных компонентов отечественного и импортного производства напрямую от производителей и с крупнейших мировых складов;
- Поставка более 17-ти миллионов наименований электронных компонентов;
- Поставка сложных, дефицитных, либо снятых с производства позиций;
- Оперативные сроки поставки под заказ (от 5 рабочих дней);
- Экспресс доставка в любую точку России;
- Техническая поддержка проекта, помощь в подборе аналогов, поставка прототипов;
- Система менеджмента качества сертифицирована по Международному стандарту ISO 9001;
- Лицензия ФСБ на осуществление работ с использованием сведений, составляющих государственную тайну;
- Поставка специализированных компонентов (Xilinx, Altera, Analog Devices, Intersil, Interpoint, Microsemi, Aeroflex, Peregrine, Syfer, Eurofarad, Texas Instrument, Miteq, Cobham, E2V, MA-COM, Hittite, Mini-Circuits, General Dynamics и др.);

Помимо этого, одним из направлений компании «ЭлектроПласт» является направление «Источники питания». Мы предлагаем Вам помощь Конструкторского отдела:

- Подбор оптимального решения, техническое обоснование при выборе компонента;
- Подбор аналогов;
- Консультации по применению компонента;
- Поставка образцов и прототипов;
- Техническая поддержка проекта;
- Защита от снятия компонента с производства.



Как с нами связаться

Телефон: 8 (812) 309 58 32 (многоканальный)

Факс: 8 (812) 320-02-42

Электронная почта: org@eplast1.ru

Адрес: 198099, г. Санкт-Петербург, ул. Калинина, дом 2, корпус 4, литера А.