

A

B

C

D

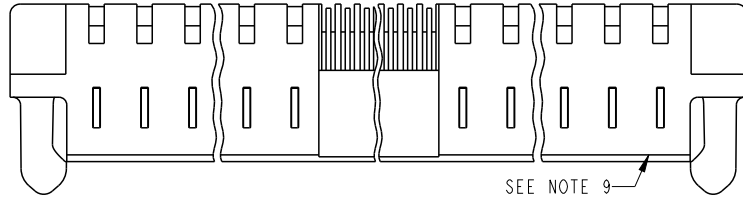
A

B

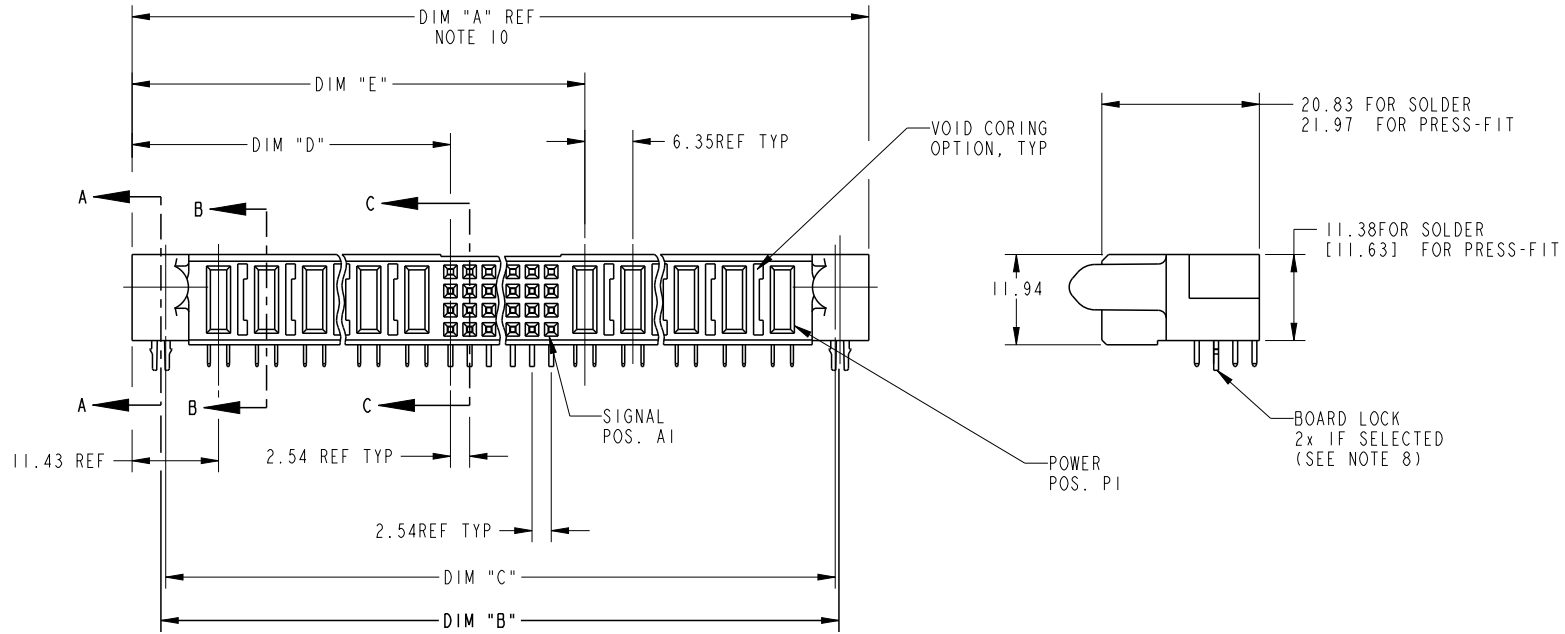
C

D

|                                |
|--------------------------------|
| PRODUCT NUMBER                 |
| 51760-ABBCCDEF...<br>NOTE: (3) |
| SEE NOTE 1                     |



SEE NOTE 9



|                     |                                       |         |                |            |                        |    |        |                |                |           |          |
|---------------------|---------------------------------------|---------|----------------|------------|------------------------|----|--------|----------------|----------------|-----------|----------|
| spec ref            | *                                     | dr      | Julia Wang     | 2008/09/29 | projection             | MM | size   | A4             | scale          | 1:1       |          |
| tolerance std       | TOLERANCES UNLESS OTHERWISE SPECIFIED | eng     | Vicking Liu    | 2017/03/07 |                        |    | ← →    | ecn no         | ELX-DG-26294-1 |           |          |
| ISO 406<br>ISO 1101 |                                       | chr     | Fancy Zhang    | 2017/03/07 |                        |    |        | product family | PwrBlade       | rel level | Released |
| surface             | linear                                | appr    | Pei-Ming Zheng | 2017/03/08 | RA REC w/GUIDE PIN     |    | dwg no | 51760          |                | rev       | N        |
| ISO 1302            |                                       | angular |                |            | POWER / SIGNAL / POWER |    |        |                |                | cat. no.  | -        |
|                     |                                       |         |                |            |                        |    |        |                |                |           |          |

|                              |         |  |
|------------------------------|---------|--|
| PRODUCT NUMBER               | DIM     | LENGTH FORMULAS (SEE NOTE 10)  |
| 51760-ABBCCDDEF...<br>NOTE 3 | DIM "A" | .250 [6.35] x DD + .100 [2.54] x (CCC/4) + .250 [6.35] x BB + .650 [16.51] (NOTE 10) |
| SEE NOTE 1                   | DIM "B" | .250 [6.35] x DD + .100 [2.54] x (CCC/4) + .250 [6.35] x BB + .350 [8.89]            |
|                              | DIM "C" | .250 [6.35] x DD + .100 [2.54] x (CCC/4) + .250 [6.35] x BB + .300 [7.62]            |
|                              | DIM "D" | .250 [6.35] x DD + .375 [9.53] $\Delta$  |
|                              | DIM "E" | .250 [6.35] x DD + .100 [2.54] x (CCC/4) + .450 [11.43]                              |
|                              | DIM "F" | .250 [6.35] x DD + .100 [2.54] x (CCC/4) + .250 [6.35] x BB + .680 [17.27]           |
|                              | DIM "G" | .250 [6.35] x DD + .225 [5.72]   |
|                              | DIM "H" | .250 [6.35] x DD + .100 [2.54] x (CCC/4) + .250 [6.35]                               |

CONNECTOR NOTES

1. PRODUCT NUMBER CODE:  
51760 - A BB CCC DD E F LF
- NO THIS SUFFIX: 100u"/2.54um SnPb ON PCB INTERFACE
  - ADD THIS SUFFIX: 78u"/2.00um Sn OR 5u" Au ON PCB INTERFACE
  - RETENTION TO PCB (NOTE 8)
  - TAIL OPTIONS (NOTE 7)
  - NUMBER OF LEFT END POWER CONTACTS (NOTE 6)
  - NUMBER OF SIGNAL CONTACTS (NOTE 5)
  - NUMBER OF RIGHT POWER CONTACTS (NOTE 4)
  - PLATING (NOTE 3)
  - BASE NUMBER

2. HOUSING MATERIAL: GLASS FILLED V-0 HIGH TEMP THERMO PLASTIC.  
SIGNAL CONTACT MATERIAL: COPPER ALLOY  
POWER CONTACT MATERIAL: COPPER ALLOY
3. PLATING OPTION:  
1: SEE IN PRINT 10064183 FOR PLATING SPEC OF 51760-ABBCCDDEF; 51760-ABBCCDDEFLF
4. RIGHT END POWER CONTACTS, 01 TO 20 AVAILABLE.  
MAXIMUM OF 20 POWER CONTACTS PER CONNECTOR
5. SIGNAL CONTACTS, 004 TO 148 AVAILABLE FOR SOLDER TO BOARD.  
020 TO 148 AVAILABLE FOR PRESS-FIT TO BOARD.
6. LEFT END POWER CONTACTS, 01 TO 20 AVAILABLE.  
MAXIMUM OF 20 POWER CONTACTS PER CONNECTOR
7. TAIL OPTIONS:  
A = .135 ± .010 [3.43 ± .25] SOLDER TO BOARD  
B = .090 ± .005 / -.010 [2.29 ± .13 / -.25]  
SOLDER TO BOARD  
C = .154 ± .010 [3.91 ± .25] PRESS-FIT TO BOARD
8. RETENTION TO PCB OPTIONS:  
A = BOARD LOCK (REQUIRES .098 ± .002 / -.001 [2.49 ± 0.05 / -0.03] THRU HOLE IN PCB  
MOUNTING FOOT HEIGHT: .220 [5.59]  
\*\*NOT AVAILABLE FOR PRESS-FIT\*\*

B = .150 [3.81] THRU HOLE (REQUIRES .158 ± 0.003 [4.01 ± 0.08] THRU HOLE IN PCB).  
MOUNTING FOOT HEIGHT  
.160 [4.06]

9. MANUFACTURE'S NAME, P/N, AND DATE CODE TO APPEAR ON THIS SURFACE.
10. THE MAXIMUM OVERALL LENGTH (DIM A) OF A PART IS 8.00 [203.2]
11. PRODUCT SPECIFICATION GS-12-149
12. APPLICATION SPECIFICATION BUS-20-067.
13. FOR PRESS-FIT CONNECTORS USE FCI CAM TOOL 430140-XXX TO APPLY CONNECTOR TO PCB.

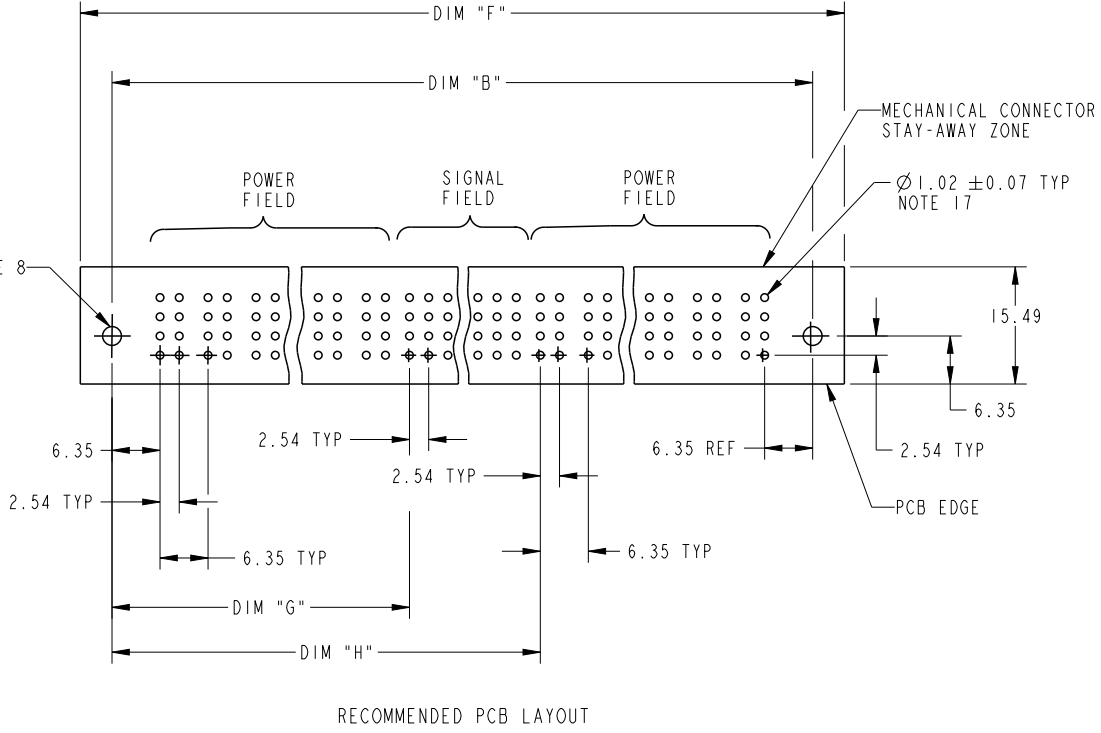
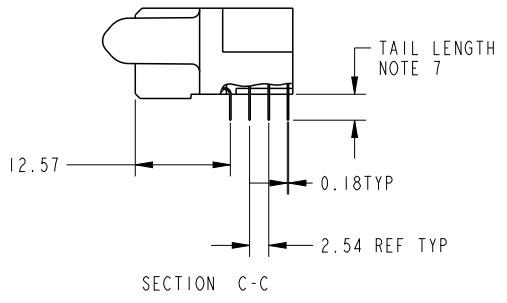
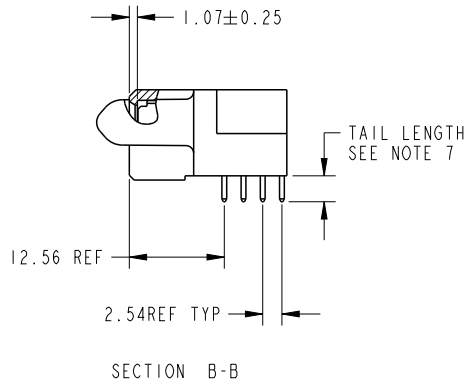
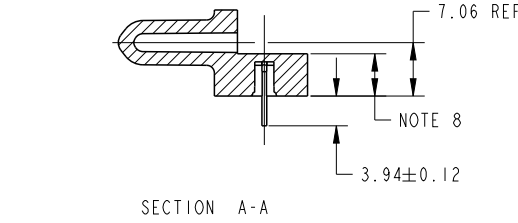
PCB NOTES:

14. ALL DIMENSIONS ARE BASIC UNLESS OTHERWISE SPECIFIED.
15. ALL THROUGH HOLES ARE LOCATED WITH A TRUE POSITION OF .004 [0.10]
16. ALL HOLE DIAMETERS ARE FINISHED HOLE SIZE.
17.  $\varnothing 0.0453 \pm .001$  [1.151 ± 0.02] DRILLED HOLES PLATED WITH 0.0003 [0.007] MIN SnPb OVER 0.001 [1.03] TO .003 [0.08] PLATING TO ACHIEVE A .040 ± .003 [1.02 ± 0.08] HOLE.
18.  $\Delta$  THE VOID CORING IN BETWEEN POWER MODULES, SIGNAL MODULES AND END MODULES ARE OPTIONAL AND THE SHAPE MAY BE DIFFERENT FOR OPTIMIZING THE MOLDING PROCESS. THE VOID CORING WILL NOT EFFECT TO PRODUCT FUNCTION.
19.  $\Delta$   $\Delta$  SYMBOL WILL BE NEXT TO ANY DIMENSION, VIEW, OR NOTE WHICH HAS BEEN MODIFIED WITH THE CURRENT DRAWING REVISION.

|      |                |            |                |        |                |                |           |          |
|------|----------------|------------|----------------|--------|----------------|----------------|-----------|----------|
| dr   | Julia Wang     | 2008/09/29 | projection<br> | MM<br> | size           | A4             | scale     | 1:2      |
| eng  | Vicking Liu    | 2017/03/07 |                |        | ecn no         | ELX-DG-26294-1 |           |          |
| chr  | Fancy Zhang    | 2017/03/07 |                |        | product family | PwrBlade       | rel level | Released |
| appr | Pei-Ming Zheng | 2017/03/08 |                |        |                |                |           |          |

|                     |         |       |        |              |   |                 |                        |              |
|---------------------|---------|-------|--------|--------------|---|-----------------|------------------------|--------------|
| surface<br>ISO 1302 | linear  | 0.X   | ±0.3   | Amphenol FCI | title<br>RA REC w/GUIDE PIN<br>POWER / SIGNAL / POWER | dwg no<br>51760 | rev<br>N               |              |
|                     |         | 0.XX  | ±0.13  |              |   |                 |                        |              |
|                     |         | 0.XXX | ±0.051 |              |   |                 |                        |              |
|                     | angular | 0°    | ±2°    |              | cat. no.  | -               | Product - Customer Drw | sheet 2 of 3 |

|                                |
|--------------------------------|
| PRODUCT NUMBER                 |
| 51760-ABBCCDEF...<br>NOTE: (3) |
| SEE NOTE 1                     |



|      |                |            |                |          |           |                |       |     |
|------|----------------|------------|----------------|----------|-----------|----------------|-------|-----|
| dr   | Julia Wang     | 2008/09/29 | projection<br> | MM<br>←→ | size      | A4             | scale | 1:1 |
| eng  | Vicking Liu    | 2017/03/07 |                |          | ecn no    | ELX-DG-26294-1 |       |     |
| chr  | Fancy Zhang    | 2017/03/07 |                |          | rel level | Released       |       |     |
| appr | Pei-Ming Zheng | 2017/03/08 | product family | PwrBlade |           |                |       |     |

|          |         |       |        |
|----------|---------|-------|--------|
| surface  | linear  | 0.X   | ±0.3   |
|          |         | 0.XX  | ±0.13  |
|          |         | 0.XXX | ±0.051 |
| ISO 1302 | angular | 0°    | ±2°    |

|                 |          |                        |                        |        |              |  |     |   |
|-----------------|----------|------------------------|------------------------|--------|--------------|--|-----|---|
| Amphenol<br>FCi | title    | RA REC w/GUIDE PIN     |                        | dwg no | 51760        |  | rev | N |
|                 |          | POWER / SIGNAL / POWER |                        |        |              |  |     |   |
|                 | cat. no. | -                      | Product - Customer Drw |        | sheet 3 of 3 |  |     |   |



Компания «ЭлектроПласт» предлагает заключение долгосрочных отношений при поставках импортных электронных компонентов на взаимовыгодных условиях!

Наши преимущества:

- Оперативные поставки широкого спектра электронных компонентов отечественного и импортного производства напрямую от производителей и с крупнейших мировых складов;
- Поставка более 17-ти миллионов наименований электронных компонентов;
- Поставка сложных, дефицитных, либо снятых с производства позиций;
- Оперативные сроки поставки под заказ (от 5 рабочих дней);
- Экспресс доставка в любую точку России;
- Техническая поддержка проекта, помощь в подборе аналогов, поставка прототипов;
- Система менеджмента качества сертифицирована по Международному стандарту ISO 9001;
- Лицензия ФСБ на осуществление работ с использованием сведений, составляющих государственную тайну;
- Поставка специализированных компонентов (Xilinx, Altera, Analog Devices, Intersil, Interpoint, Microsemi, Aeroflex, Peregrine, Syfer, Eurofarad, Texas Instrument, Miteq, Cobham, E2V, MA-COM, Hittite, Mini-Circuits, General Dynamics и др.);

Помимо этого, одним из направлений компании «ЭлектроПласт» является направление «Источники питания». Мы предлагаем Вам помощь Конструкторского отдела:

- Подбор оптимального решения, техническое обоснование при выборе компонента;
- Подбор аналогов;
- Консультации по применению компонента;
- Поставка образцов и прототипов;
- Техническая поддержка проекта;
- Защита от снятия компонента с производства.



#### Как с нами связаться

**Телефон:** 8 (812) 309 58 32 (многоканальный)

**Факс:** 8 (812) 320-02-42

**Электронная почта:** [org@eplast1.ru](mailto:org@eplast1.ru)

**Адрес:** 198099, г. Санкт-Петербург, ул. Калинина, дом 2, корпус 4, литера А.