

GW JDSTS2.EM



The DURIS® E 5 combines high efficacy and a wide beam angle into a compact format (5.6 mm x 3.0 mm). This is key to homogeneous illumination applications where the DURIS® E 5 never fails to impress with its performance on system level.

Features:

- **Package:** white SMT package, colored diffused silicone resin
- **Viewing angle at 50 % I_v:** 120°
- **Color:** 2700 K - 6500 K (white)
- **CRI:** min. 80 (typ. 85)
- **Luminous Flux:** typ. 36.5 lm @ 5000 K
- **Luminous efficacy:** typ. 201 lm/W @ 5000 K

Applications

- Indoor General Lighting
- Retrofits and fixtures
- Task lights
- Shop lighting

Die DURIS® E 5 kombiniert hohe Effizienz und einen weiten Abstrahlwinkel in einer kompakten Bauform (5.6 mm x 3.0 mm). Speziell für Anwendungen mit besonders homogener Lichtverteilung kann die DURIS® E 5 mit ihrer Leistung auf Systemebene überzeugen.

Besondere Merkmale:

- **Gehäusotyp:** weißes SMT Gehäuse, farbiger diffuser Silikon-Verguss
- **Abstrahlwinkel bei 50 % I_v:** 120°
- **Farbe:** 2700 K - 6500 K (weiß)
- **CRI:** min. 80 (typ. 85)
- **Lichtstrom:** typ. 36.5 lm @ 5000 K
- **Lichtausbeute:** typ. 201 lm/W @ 5000 K

Anwendungen

- Innen-Allgemeinbeleuchtung
- Retrofits
- Schreibtischleuchten
- Ladenbeleuchtung

Ordering Information for GW JDSTS2-PLUS
Bestellinformation

Type: Typ:	Color Temperature Farbtemperatur [K]	Luminous Flux <small>1) page 25</small> Lichtstrom <small>1) Seite 25</small> I_F = 65 mA v [lm]	Ordering Code Bestellnummer
GW JDSTS2.EM-H2H5-A838-1-65-B-R33	2700	30 ... 36	Q65112A4647
GW JDSTS2.EM-H2H5-XX58-1-65-B-R33	2700	30 ... 36	Q65112A4656
GW JDSTS2.EM-H3H6-A737-1-65-B-R33	3000	31.5 ... 37.5	Q65112A3742
GW JDSTS2.EM-H3H6-XX57-1-65-B-R33	3000	31.5 ... 37.5	Q65112A3741
GW JDSTS2.EM-H4H7-A636-1-65-B-R33	3500	33 ... 39	Q65112A3740
GW JDSTS2.EM-H4H7-XX56-1-65-B-R33	3500	33 ... 39	Q65112A3751
GW JDSTS2.EM-H4H7-A535-1-65-B-R33	4000	33 ... 39	Q65112A3765
GW JDSTS2.EM-H4H7-XX55-1-65-B-R33	4000	33 ... 39	Q65112A3739
GW JDSTS2.EM-H5H8-A333-1-65-B-R33	5000	34.5 ... 40.5	Q65112A4640
GW JDSTS2.EM-H5H8-XX53-1-65-B-R33	5000	34.5 ... 40.5	Q65112A4657
GW JDSTS2.EM-H5H8-A232-1-65-B-R33	5700	34.5 ... 40.5	Q65112A4654
GW JDSTS2.EM-H5H8-XX52-1-65-B-R33	5700	34.5 ... 40.5	Q65112A4645
GW JDSTS2.EM-H4H7-A131-1-65-B-R33	6500	33 ... 39	Q65112A3730
GW JDSTS2.EM-H4H7-XX51-1-65-B-R33	6500	33 ... 39	Q65112A3752

Ordering Information for GW JDSTS2-STANDARD
Bestellinformation

Type:	Color Temperature	Luminous Flux <small>1) page 25</small>	Ordering Code
Typ:	Farbtemperatur	Lichtstrom <small>1) Seite 25</small>	Bestellnummer
	[K]	I_F = 65 mA v [lm]	
GW JDSTS2.EM-H2H5-A838-1-65-R33	2700	30 ... 36	Q65112A4651
GW JDSTS2.EM-H2H5-XX58-1-65-R33	2700	30 ... 36	Q65112A4644
GW JDSTS2.EM-H2H5-A737-1-65-R33	3000	30 ... 36	Q65112A3734
GW JDSTS2.EM-H2H5-XX57-1-65-R33	3000	30 ... 36	Q65112A3744
GW JDSTS2.EM-H3H6-A636-1-65-R33	3500	31.5 ... 37.5	Q65112A3745
GW JDSTS2.EM-H3H6-XX56-1-65-R33	3500	31.5 ... 37.5	Q65112A3753
GW JDSTS2.EM-H4H7-A535-1-65-R33	4000	33 ... 39	Q65112A3743
GW JDSTS2.EM-H4H7-XX55-1-65-R33	4000	33 ... 39	Q65112A3731
GW JDSTS2.EM-H4H7-A333-1-65-R33	5000	33 ... 39	Q65112A4652
GW JDSTS2.EM-H4H7-XX53-1-65-R33	5000	33 ... 39	Q65112A4646
GW JDSTS2.EM-H4H7-A232-1-65-R33	5700	33 ... 39	Q65112A4636
GW JDSTS2.EM-H4H7-XX52-1-65-R33	5700	33 ... 39	Q65112A4653
GW JDSTS2.EM-H3H6-A131-1-65-R33	6500	31.5 ... 37.5	Q65112A3747
GW JDSTS2.EM-H3H6-XX51-1-65-R33	6500	31.5 ... 37.5	Q65112A3746

Ordering Information for GW JDSTS2-ECO
Bestellinformation

Type: Typ:	Color Temperature Farbtemperatur [K]	Luminous Flux <small>1) page 25</small> Lichtstrom <small>1) Seite 25</small> I_F = 65 mA v [lm]	Ordering Code Bestellnummer
GW JDSTS2.EM-H1H4-A838-1-65-C-R33	2700	28.5 ... 34.5	Q65112A4649
GW JDSTS2.EM-H1H4-XX58-1-65-C-R33	2700	28.5 ... 34.5	Q65112A4641
GW JDSTS2.EM-H2H5-A737-1-65-C-R33	3000	30 ... 36	Q65112A3757
GW JDSTS2.EM-H2H5-XX57-1-65-C-R33	3000	30 ... 36	Q65112A3756
GW JDSTS2.EM-H2H5-A636-1-65-C-R33	3500	30 ... 36	Q65112A3735
GW JDSTS2.EM-H2H5-XX56-1-65-C-R33	3500	30 ... 36	Q65112A3728
GW JDSTS2.EM-H3H6-A535-1-65-C-R33	4000	31.5 ... 37.5	Q65112A3736
GW JDSTS2.EM-H3H6-XX55-1-65-C-R33	4000	31.5 ... 37.5	Q65112A3729
GW JDSTS2.EM-H3H6-A333-1-65-C-R33	5000	31.5 ... 37.5	Q65112A4650
GW JDSTS2.EM-H3H6-XX53-1-65-C-R33	5000	31.5 ... 37.5	Q65112A4648
GW JDSTS2.EM-H3H6-A232-1-65-C-R33	5700	31.5 ... 37.5	Q65112A4642
GW JDSTS2.EM-H3H6-XX52-1-65-C-R33	5700	31.5 ... 37.5	Q65112A4643
GW JDSTS2.EM-H3H6-A131-1-65-C-R33	6500	31.5 ... 37.5	Q65112A3737
GW JDSTS2.EM-H3H6-XX51-1-65-C-R33	6500	31.5 ... 37.5	Q65112A3738

Maximum Ratings
Grenzwerte

Parameter Bezeichnung	Symbol Symbol	Values Werte	Unit Einheit
Operating temperature range Betriebstemperatur	T_{op}	-40 ... 100	°C
Storage temperature range Lagertemperatur	T_{stg}	-40 ... 100	°C
Junction temperature Sperrschichttemperatur	T_j	120	°C
Forward current Durchlassstrom ($T_j = 25\text{ °C}$)	I_F	180	mA
Surge current Stoßstrom ($t \leq 10\ \mu\text{s}$; $D = 0.005$; $T_j = 25\text{ °C}$)	I_{FM}	300	mA
Reverse voltage Sperrspannung ($T_j = 25\text{ °C}$)	V_R	not designed for reverse operation	V
ESD withstand voltage ESD Festigkeit (acc. to ANSI/ESDA/JEDEC JS-001 - HBM)	V_{ESD}	up to 5	kV

Characteristics ($T_j = 25\text{ °C}$; $I_F = 65\text{ mA}$)
Kennwerte

Parameter Bezeichnung		Symbol Symbol	Values Werte	Unit Einheit
Viewing angle at 50 % I_V Abstrahlwinkel bei 50 % I_V	(typ.)	2ϕ	120	°
Reverse current Sperrstrom		I_R	not designed for reverse operation	
Color rendering index ^{3) page 25} Farbwiedergabe Index ^{3) Seite 25} (2700K - 6500K)	(typ.) (min.)	R_a R_a	85 80	- -

Parameter for GW JDSTS2-PLUS		Symbol	Values	Unit
Bezeichnung		Symbol	Werte	Einheit
Forward voltage ^{2) page 25}	(min.)	V_F	2.60	V
Durchlassspannung ^{2) Seite 25}	(typ.)	V_F	2.79	V
	(max.)	V_F	3.20	V
Real thermal resistance junction / solder point ^{4) page 25}	(typ.)	$R_{th JS real}$	23.92	K/W
	(max.)	$R_{th JS real}$	38.62	K/W
Realer Wärmewiderstand Sperrschicht / Löt看pad ^{4) Seite 25}				
"Electrical" thermal resistance junction / solder point ^{4) page 25}	(typ.)	$R_{th JS el}$	12	K/W
	(max.)	$R_{th JS el}$	19	K/W
"Elektrischer" Wärmewiderstand Sperrschicht / Löt看pad ^{4) Seite 25} (with efficiency $\eta_e = 51.4\%$)				
Parameter for GW JDSTS2-STANDARD		Symbol	Values	Unit
Bezeichnung		Symbol	Werte	Einheit
Forward voltage ^{2) page 25}	(min.)	V_F	2.60	V
Durchlassspannung ^{2) Seite 25}	(typ.)	V_F	2.84	V
	(max.)	V_F	3.20	V
Real thermal resistance junction / solder point ^{4) page 25}	(typ.)	$R_{th JS real}$	32.44	K/W
	(max.)	$R_{th JS real}$	40.32	K/W
Realer Wärmewiderstand Sperrschicht / Löt看pad ^{4) Seite 25}				
"Electrical" thermal resistance junction / solder point ^{4) page 25}	(typ.)	$R_{th JS el}$	16	K/W
	(max.)	$R_{th JS el}$	20	K/W
"Elektrischer" Wärmewiderstand Sperrschicht / Löt看pad ^{4) Seite 25} (with efficiency $\eta_e = 51.4\%$)				
Parameter for GW JDSTS2-ECO		Symbol	Values	Unit
Bezeichnung		Symbol	Werte	Einheit
Forward voltage ^{2) page 25}	(min.)	V_F	2.60	V
Durchlassspannung ^{2) Seite 25}	(typ.)	V_F	2.87	V
	(max.)	V_F	3.20	V
Real thermal resistance junction / solder point ^{4) page 25}	(typ.)	$R_{th JS real}$	41.78	K/W
	(max.)	$R_{th JS real}$	51.64	K/W
Realer Wärmewiderstand Sperrschicht / Löt看pad ^{4) Seite 25}				
"Electrical" thermal resistance junction / solder point ^{4) page 25}	(typ.)	$R_{th JS el}$	20	K/W
	(max.)	$R_{th JS el}$	25	K/W
"Elektrischer" Wärmewiderstand Sperrschicht / Löt看pad ^{4) Seite 25} (with efficiency $\eta_e = 51.4\%$)				

Note: Individual forward voltage groups see next page

Anm.: Durchlassspannungsgruppen siehe nächste Seite

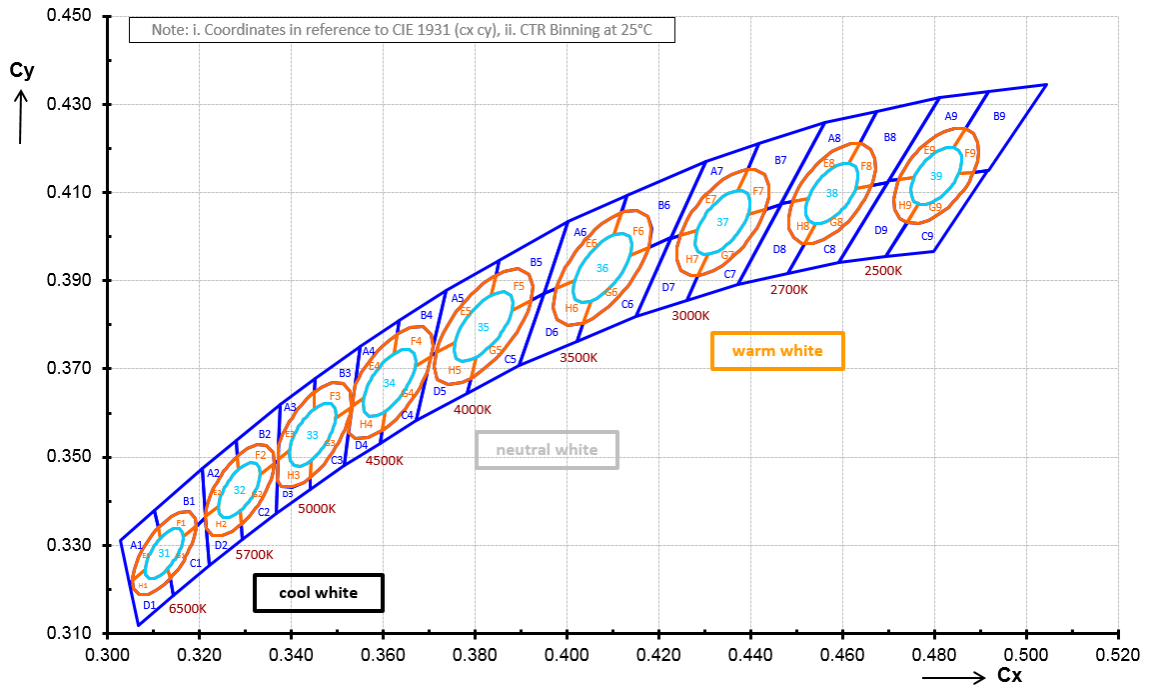
Brightness Groups
Helligkeitsgruppen

Group Gruppe	Luminous Flux ^{1) page 25} Lichtstrom ^{1) Seite 25} (min.) Φ_V [mlm]	Luminous Flux ^{1) page 25} Lichtstrom ^{1) Seite 25} (max.) Φ
	H1	28500
H2	30000	31500
H3	31500	33000
H4	33000	34500
H5	34500	36000
H6	36000	37500
H7	37500	39000
H8	39000	40500

Forward Voltage Groups ^{2) page 25}
Durchlassspannungsgruppen ^{2) Seite 25}

Group Gruppe		
	(min.) V_F [V]	(max.) V_F [V]
K1	2.60	2.70
K2	2.70	2.80
L1	2.80	2.90
L2	2.90	3.00
M1	3.00	3.10
M2	3.10	3.20

Chromaticity Coordinate Groups ^{6) page 25}
 Farbortgruppen ^{6) Seite 25}



Color Chromaticity Groups ^{6) page 25}
Farbortgruppen ^{6) Seite 25}

CCTs	Center		3Step		5Step		Ø
	Cx	Cy	a	b	a	b	
2700K	0.4577	0.4098	0.0080	0.0041	0.0133	0.0068	54.1
3000K	0.4339	0.4032	0.0086	0.0042	0.0142	0.0069	53.7
3500K	0.4077	0.3929	0.0093	0.0042	0.0155	0.0069	53.9
4000K	0.3818	0.3796	0.0094	0.0041	0.0157	0.0068	53.4
5000K	0.3446	0.3551	0.0081	0.0035	0.0135	0.0059	59.8
5700K	0.3287	0.3425	0.0072	0.0032	0.0119	0.0052	58.8
6500K	0.3123	0.3282	0.0066	0.0027	0.0110	0.0045	58.1

2700K	1		2		3		4		5	
Bin	Cx	Cy	Cx	Cy	Cx	Cy	Cx	Cy	Cx	Cy
A	0.4675	0.4285	0.4561	0.4259	0.4467	0.4076	0.4491	0.4081	0.4637	0.4212
B	0.4675	0.4285	0.4811	0.4315	0.4698	0.4123	0.4663	0.4115	0.4637	0.4212
C	0.4698	0.4123	0.4591	0.3941	0.4482	0.3917	0.4517	0.3984	0.4663	0.4115
D	0.4517	0.3984	0.4491	0.4081	0.4467	0.4076	0.4372	0.3892	0.4482	0.3917
E	0.4637	0.4212	0.4491	0.4081	0.4526	0.4088	0.4613	0.4166	NA	NA
F	0.4637	0.4212	0.4663	0.4115	0.4628	0.4108	0.4613	0.4166	NA	NA
G	0.4663	0.4115	0.4517	0.3984	0.4541	0.4030	0.4628	0.4108	NA	NA
H	0.4541	0.4030	0.4526	0.4088	0.4491	0.4081	0.4517	0.3984	NA	NA

3000K	1		2		3		4		5	
Bin	Cx	Cy	Cx	Cy	Cx	Cy	Cx	Cy	Cx	Cy
A	0.4418	0.4211	0.4302	0.4171	0.4226	0.3995	0.4246	0.4002	0.4393	0.4153
B	0.4418	0.4211	0.4561	0.4259	0.4465	0.4073	0.4432	0.4062	0.4393	0.4153
C	0.4465	0.4073	0.4372	0.3892	0.4261	0.3856	0.4285	0.3911	0.4432	0.4062
D	0.4285	0.3911	0.4246	0.4002	0.4226	0.3995	0.4149	0.3819	0.4261	0.3856
E	0.4393	0.4153	0.4246	0.4002	0.4283	0.4014	0.4371	0.4105	NA	NA
F	0.4393	0.4153	0.4432	0.4062	0.4395	0.4050	0.4371	0.4105	NA	NA
G	0.4432	0.4062	0.4285	0.3911	0.4307	0.3960	0.4395	0.4050	NA	NA
H	0.4307	0.3960	0.4283	0.4014	0.4246	0.4002	0.4285	0.3911	NA	NA

3500K	1		2		3		4		5	
Bin	Cx	Cy	Cx	Cy	Cx	Cy	Cx	Cy	Cx	Cy
A	0.4131	0.4093	0.4003	0.4034	0.3949	0.3871	0.3977	0.3883	0.4118	0.4054
B	0.4131	0.4093	0.4302	0.4171	0.4227	0.3997	0.4177	0.3975	0.4118	0.4054
C	0.4227	0.3997	0.4149	0.3819	0.4022	0.3763	0.4036	0.3804	0.4177	0.3975
D	0.4036	0.3804	0.3977	0.3883	0.3949	0.3871	0.3895	0.3707	0.4022	0.3763
E	0.4118	0.4054	0.3977	0.3883	0.4017	0.3902	0.4102	0.4004	NA	NA
F	0.4118	0.4054	0.4177	0.3975	0.4137	0.3957	0.4102	0.4004	NA	NA
G	0.4177	0.3975	0.4036	0.3804	0.4052	0.3854	0.4137	0.3957	NA	NA
H	0.4052	0.3854	0.4017	0.3902	0.3977	0.3883	0.4036	0.3804	NA	NA

4000K	1		2		3		4		5	
Bin	Cx	Cy	Cx	Cy	Cx	Cy	Cx	Cy	Cx	Cy
A	0.3853	0.3947	0.3737	0.3879	0.3704	0.3731	0.3714	0.3737	0.3845	0.3913
B	0.3853	0.3947	0.4003	0.4034	0.3949	0.3871	0.3922	0.3855	0.3845	0.3913
C	0.3949	0.3871	0.3895	0.3707	0.3783	0.3645	0.3791	0.3679	0.3922	0.3855
D	0.3791	0.3679	0.3714	0.3737	0.3704	0.3731	0.3671	0.3583	0.3783	0.3645
E	0.3845	0.3913	0.3714	0.3737	0.3756	0.3760	0.3834	0.3866	NA	NA
F	0.3845	0.3913	0.3922	0.3855	0.3880	0.3832	0.3834	0.3866	NA	NA
G	0.3922	0.3855	0.3791	0.3679	0.3802	0.3726	0.3880	0.3832	NA	NA
H	0.3802	0.3726	0.3756	0.3760	0.3714	0.3737	0.3791	0.3679	NA	NA

5000K	1		2		3		4		5	
Bin	Cx	Cy	Cx	Cy	Cx	Cy	Cx	Cy	Cx	Cy
A	0.3452	0.3678	0.3375	0.3619	0.3372	0.3528	0.3451	0.3648	NA	NA
B	0.3452	0.3678	0.3550	0.3752	0.3532	0.3614	0.3530	0.3612	0.3451	0.3648
C	0.3532	0.3614	0.3514	0.3480	0.3440	0.3426	0.3441	0.3454	0.3530	0.3612
D	0.3441	0.3454	0.3369	0.3445	0.3366	0.3372	0.3440	0.3426	NA	NA
E	0.3451	0.3648	0.3372	0.3528	0.3371	0.3496	0.3396	0.3514	0.3449	0.3609
F	0.3451	0.3648	0.3530	0.3612	0.3496	0.3588	0.3449	0.3609	NA	NA
G	0.3530	0.3612	0.3441	0.3454	0.3443	0.3493	0.3496	0.3588	NA	NA
H	0.3443	0.3493	0.3396	0.3514	0.3371	0.3496	0.3369	0.3445	0.3441	0.3454

5700K	1		2		3		4		5	
Bin	Cx	Cy	Cx	Cy	Cx	Cy	Cx	Cy	Cx	Cy
A	0.3280	0.3539	0.3205	0.3475	0.3212	0.3373	0.3283	0.3502	NA	NA
B	0.3280	0.3539	0.3375	0.3619	0.3370	0.3493	0.3363	0.3486	0.3283	0.3502
C	0.3370	0.3493	0.3366	0.3372	0.3294	0.3314	0.3291	0.3348	0.3363	0.3486
D	0.3291	0.3348	0.3215	0.3337	0.3221	0.3255	0.3294	0.3314	NA	NA
E	0.3283	0.3502	0.3212	0.3373	0.3213	0.3365	0.3242	0.3388	0.3284	0.3471
F	0.3283	0.3502	0.3363	0.3486	0.3332	0.3462	0.3284	0.3471	NA	NA
G	0.3363	0.3486	0.3291	0.3348	0.3290	0.3379	0.3332	0.3462	NA	NA
H	0.3291	0.3348	0.3215	0.3337	0.3213	0.3365	0.3242	0.3388	0.3290	0.3379

6500K	1		2		3		4		5	
Bin	Cx	Cy	Cx	Cy	Cx	Cy	Cx	Cy	Cx	Cy
A	0.3102	0.3379	0.3027	0.3310	0.3047	0.3214	0.3054	0.3220	0.3110	0.3340
B	0.3102	0.3379	0.3205	0.3475	0.3213	0.3363	0.3192	0.3344	0.3110	0.3340
C	0.3213	0.3363	0.3221	0.3255	0.3144	0.3187	0.3136	0.3224	0.3192	0.3344
D	0.3136	0.3224	0.3054	0.3220	0.3047	0.3214	0.3067	0.3118	0.3144	0.3187
E	0.3110	0.3340	0.3054	0.3220	0.3082	0.3245	0.3115	0.3317	NA	NA
F	0.3110	0.3340	0.3192	0.3344	0.3165	0.3319	0.3115	0.3317	NA	NA
G	0.3192	0.3344	0.3136	0.3224	0.3131	0.3247	0.3165	0.3319	NA	NA
H	0.3136	0.3224	0.3054	0.3220	0.3082	0.3245	0.3131	0.3247	NA	NA

Group Name on Label**Gruppenbezeichnung auf Etikett**

Example: H1-31-K1

Beispiel: H1-31-K1

Brightness Helligkeit	Chromaticity Coordinate Farbort	Forward Voltage Durchlassspannung
H1	31	K1

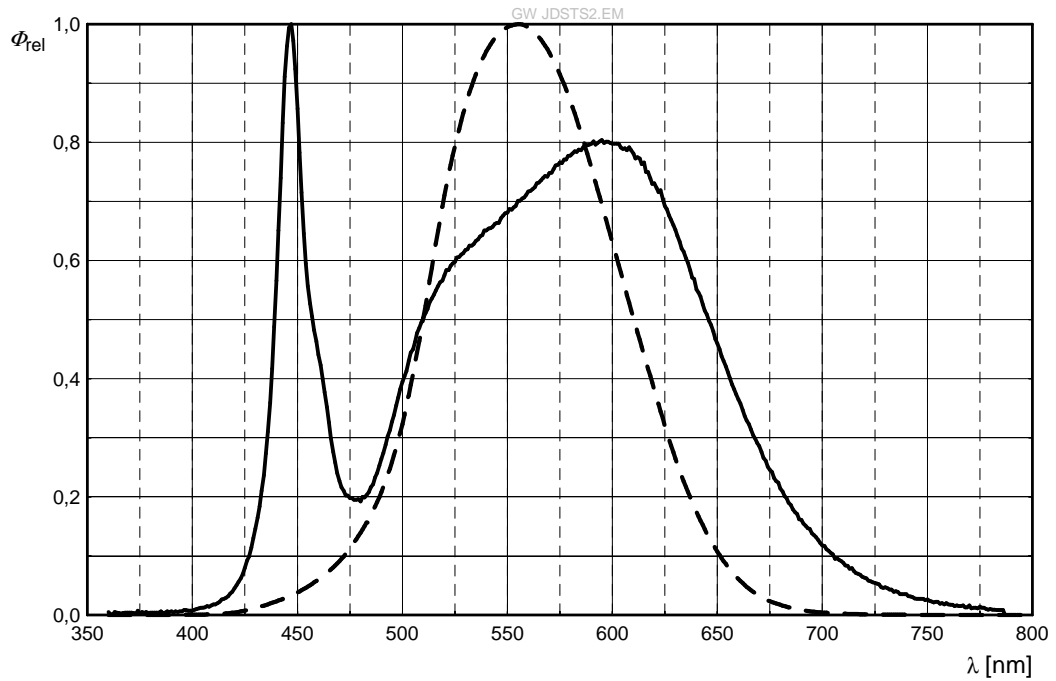
Note: No packing unit / tape ever contains more than one group for each selection.

Anm.: In einer Verpackungseinheit / Gurt ist immer nur eine Gruppe für jede Selektion enthalten.

Relative Spectral Emission - $V(\lambda) = \text{Standard eye response curve}$ ^{5) page 25}

Relative spektrale Emission - $V(\lambda) = \text{spektrale Augenempfindlichkeit}$ ^{5) Seite 25}

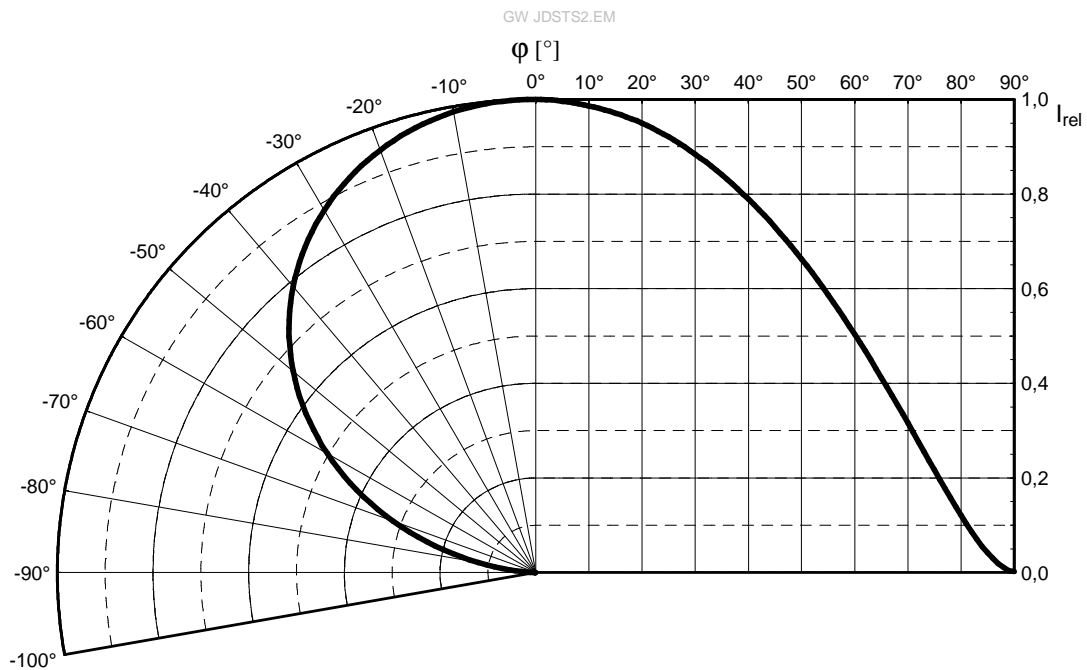
$\Phi_{rel} = f(\lambda); T_J = 25\text{ }^\circ\text{C}; I_F = 65\text{ mA}$



Radiation Characteristics ^{5) page 25}

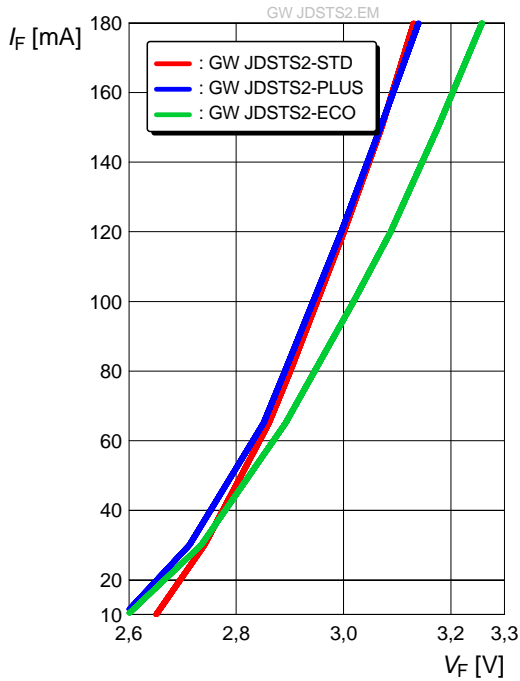
Abstrahlcharakteristik ^{5) Seite 25}

$I_{rel} = f(\phi); T_J = 25\text{ }^\circ\text{C}$



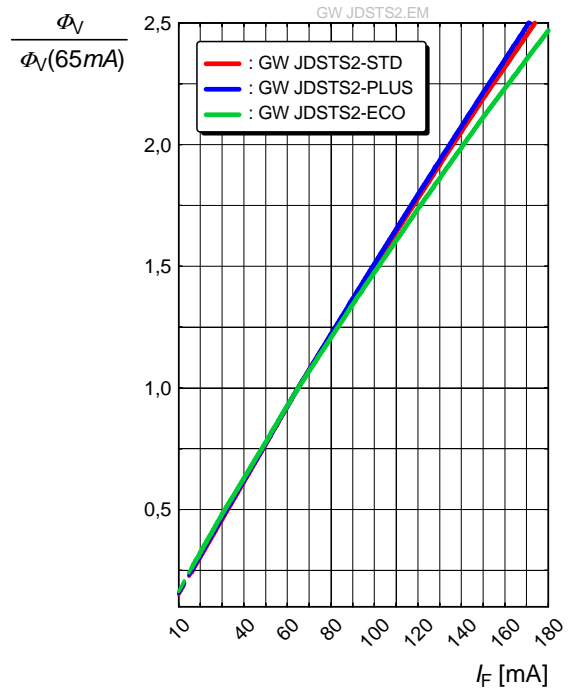
Forward Current ^{5) page 25, 7) page 25}
Durchlassstrom ^{5) Seite 25, 7) Seite 25}

$I_F = f(V_F); T_J = 25\text{ }^\circ\text{C}$



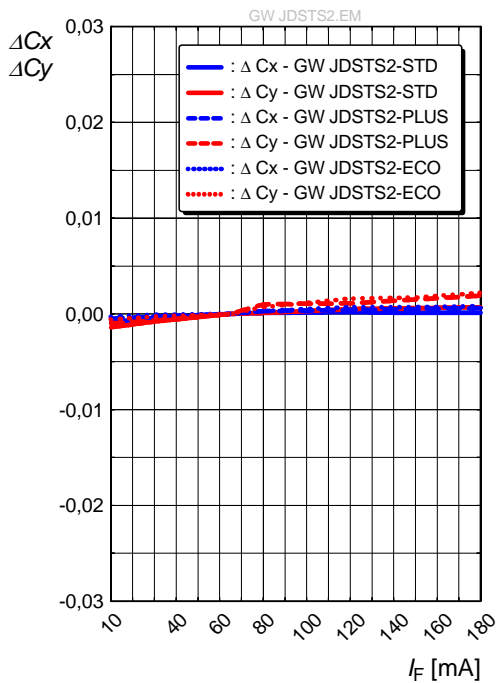
Relative Luminous Flux ^{5) page 25, 7) page 25}
Relativer Lichtstrom ^{5) Seite 25, 7) Seite 25}

$\Phi_V/\Phi_V(65\text{ mA}) = f(I_F); T_J = 25\text{ }^\circ\text{C}$



Chromaticity Coordinate Shift ^{5) page 25}
Farbortverschiebung ^{5) Seite 25}

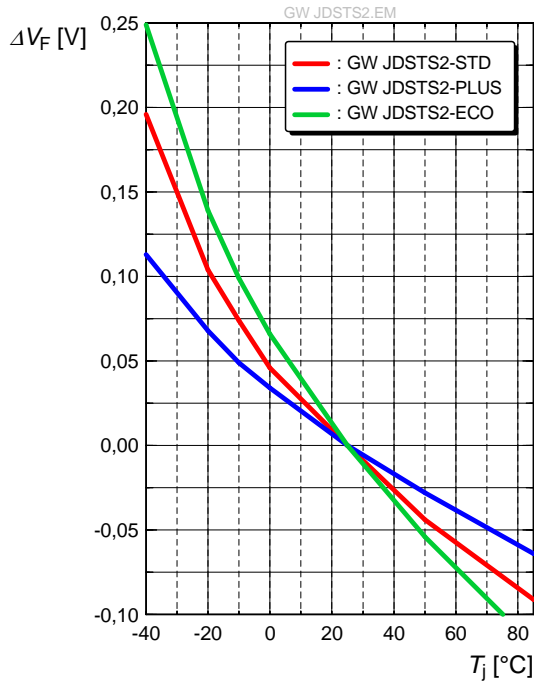
$\Delta C_x, \Delta C_y = f(I_F); T_J = 25\text{ }^\circ\text{C}$



Relative Forward Voltage ^{5) page 25}

Relative Vorwärtsspannung ^{5) Seite 25}

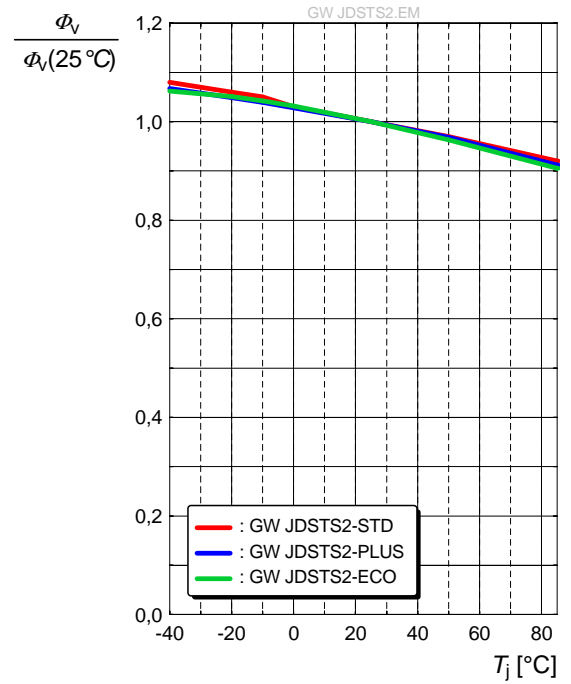
$\Delta V_F = V_F - V_F(25\text{ °C}) = f(T_j); I_F = 65\text{ mA}$



Relative Luminous Flux ^{5) page 25}

Relativer Lichtstrom ^{5) Seite 25}

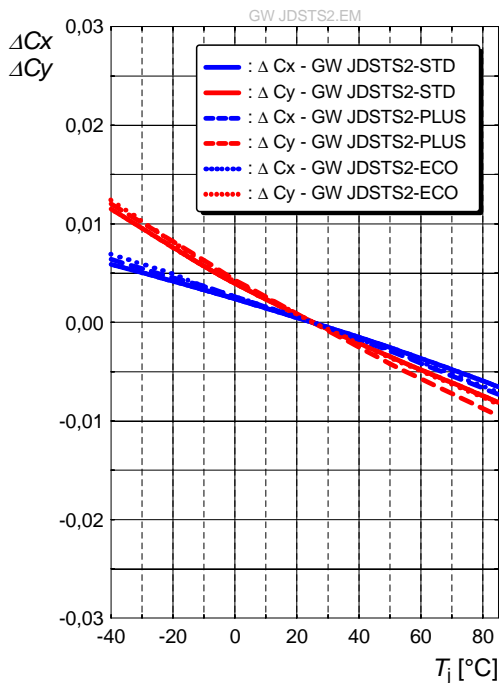
$\Phi_V/\Phi_V(25\text{ °C}) = f(T_j); I_F = 65\text{ mA}$



Chromaticity Coordinate Shift ^{5) page 25}

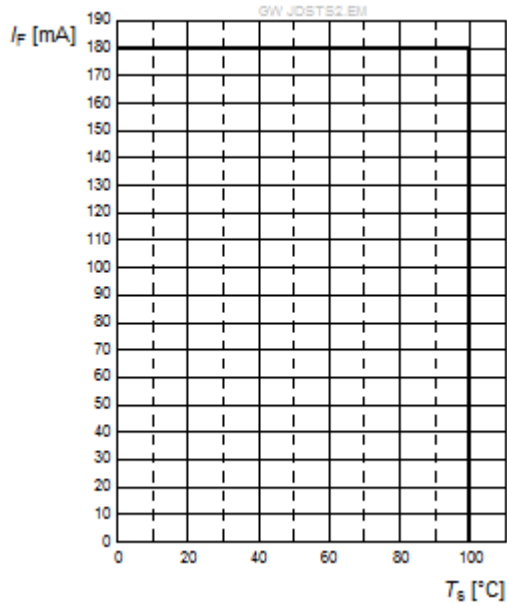
Farbortverschiebung ^{5) Seite 25}

$\Delta C_x, \Delta C_y = f(T_j); I_F = 65\text{ mA}$

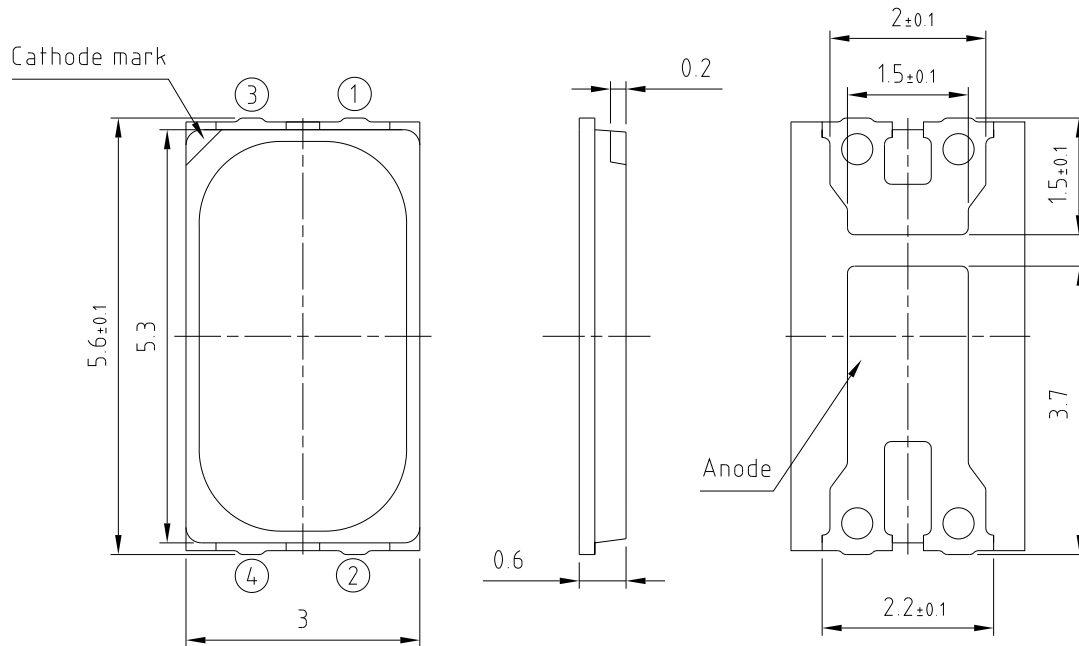


Max. Permissible Forward Current
Max. zulässiger Durchlassstrom

$I_F = f(T)$



Package Outline ^{8) page 25}
 Maßzeichnung ^{8) Seite 25}



C67062-A0231-A2-01

Approximate Weight:

32 mg

Gewicht:

32 mg

Function:

P2&P4 : Anode ; P1&P3 : Cathode

Funktion:

P2&P4 : Anode ; P1&P3 : Cathode

ESD information:

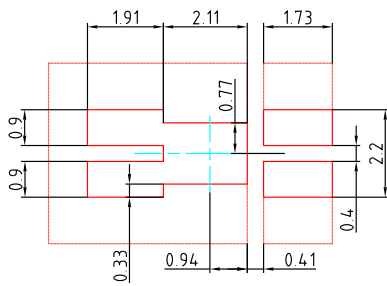
LED is protected by ESD device which is connected in parallel to LED-Chip.

ESD Information:

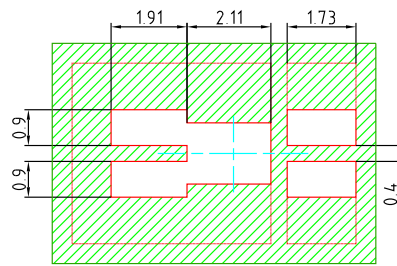
Die LED enthält ein ESD-Bauteil, das parallel zum Chip geschaltet ist.

Recommended Solder Pad ^{8) page 25}
Empfohlenes Lötpad design ^{8) Seite 25}

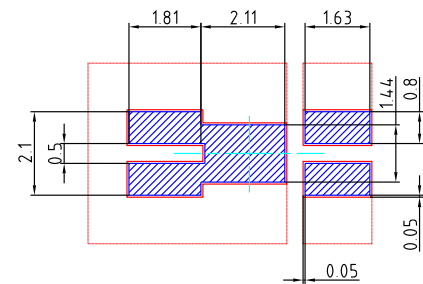
Reflow soldering
Reflow-Löten



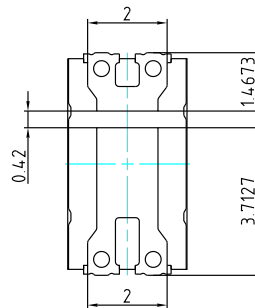
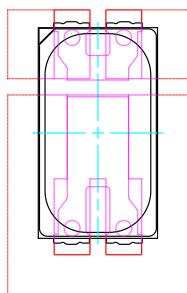
foot print Cu area



solder resist



solder stencil



E067.0348.01-03

Note:

*Package not suitable for ultra sonic cleaning.
 For superior solder joint connectivity results we
 recommend soldering under standard nitrogen
 atmosphere.*

Anm.:

*Das Gehäuse ist für Ultraschallreinigung nicht
 geeignet.
 Um eine verbesserte Lötstellenkontaktierung zu
 erreichen, empfehlen wir, unter Standard-
 Stickstoffatmosphäre zu löten.*

Reflow Soldering Profile Reflow-Lötprofil

Product complies to MSL Level 3 acc. to JEDEC J-STD-020E



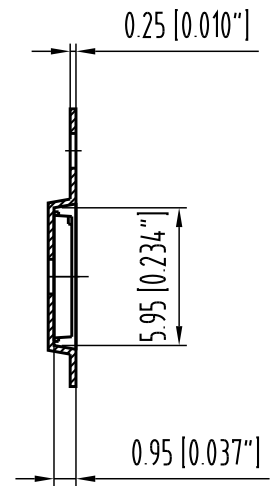
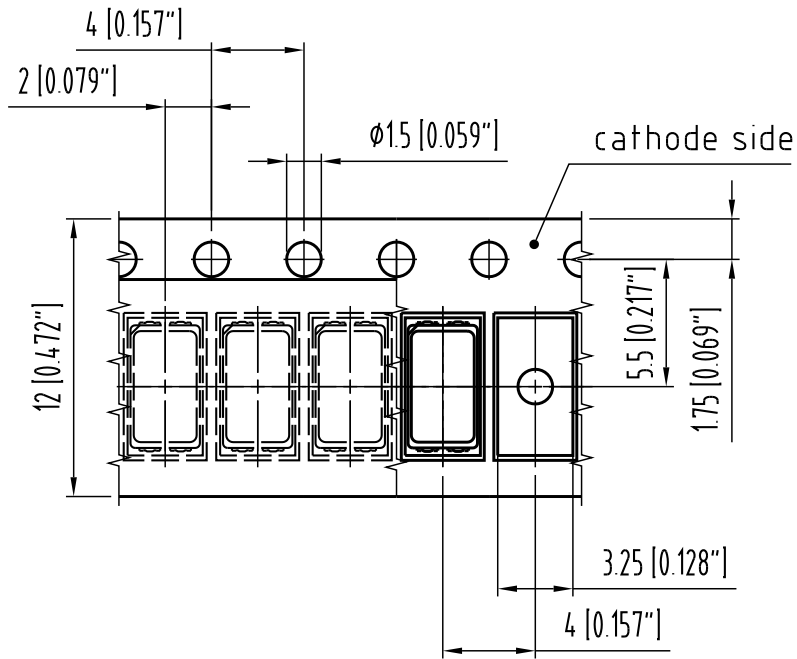
OHA04612

Profile Feature Profil-Charakteristik	Symbol Symbol	Pb-Free (SnAgCu) Assembly			Unit Einheit
		Minimum	Recommendation	Maximum	
Ramp-up rate to preheat*) 25 °C to 150 °C			2	3	K/s
Time t_S T_{Smin} to T_{Smax}	t_S	60	100	120	s
Ramp-up rate to peak*) T_{Smax} to T_P			2	3	K/s
Liquidus temperature	T_L		217		°C
Time above liquidus temperature	t_L		80	100	s
Peak temperature	T_P		245	260	°C
Time within 5 °C of the specified peak temperature $T_P - 5\text{ K}$	t_p	10	20	30	s
Ramp-down rate* T_P to 100 °C			3	6	K/s
Time 25 °C to T_P				480	s

All temperatures refer to the center of the package, measured on the top of the component

* slope calculation DT/Dt : Dt max. 5 s; fulfillment for the whole T-range

Taping ^{8) page 25}
 Gurtung ^{8) Seite 25}

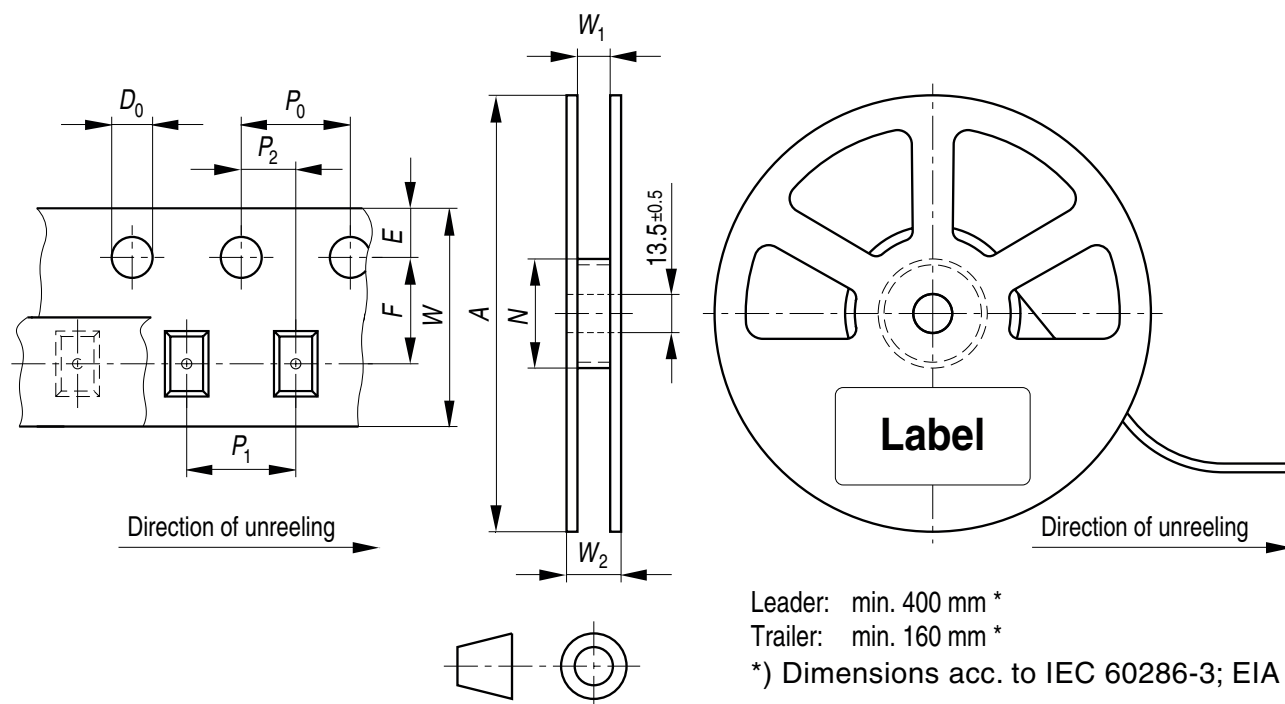


C63062-A4109-B1-03

Tape and Reel

Gurtverpackung

12 mm tape with 10000 pcs. on \varnothing 330 mm reel



Tape dimensions [mm]

Gurtmaße [mm]

W	P ₀	P ₁	P ₂	D ₀	E	F
12 + 0.3 / - 0.1	4 ± 0.1	4 ± 0.1 or 8 ± 0.1	2 ± 0.05	1.5 ± 0.1	1.75 ± 0.1	5.5 ± 0.05

Reel dimensions [mm]

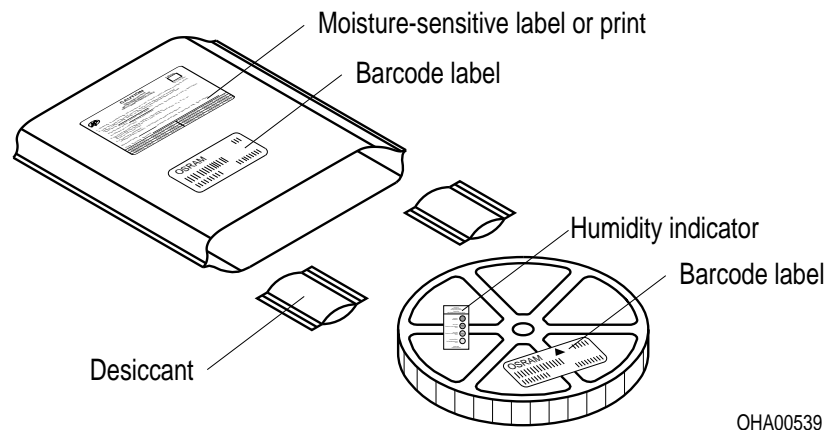
Rollenmaße [mm]

A	W	N _{min}	W ₁	W _{2max}
330	12	99	12.4 + 2	18.4

Barcode-Product-Label (BPL) Barcode-Produkt-Etikett (BPL)



Dry Packing Process and Materials Trockenverpackung und Materialien



Note:

Moisture-sensitive product is packed in a dry bag containing desiccant and a humidity card.

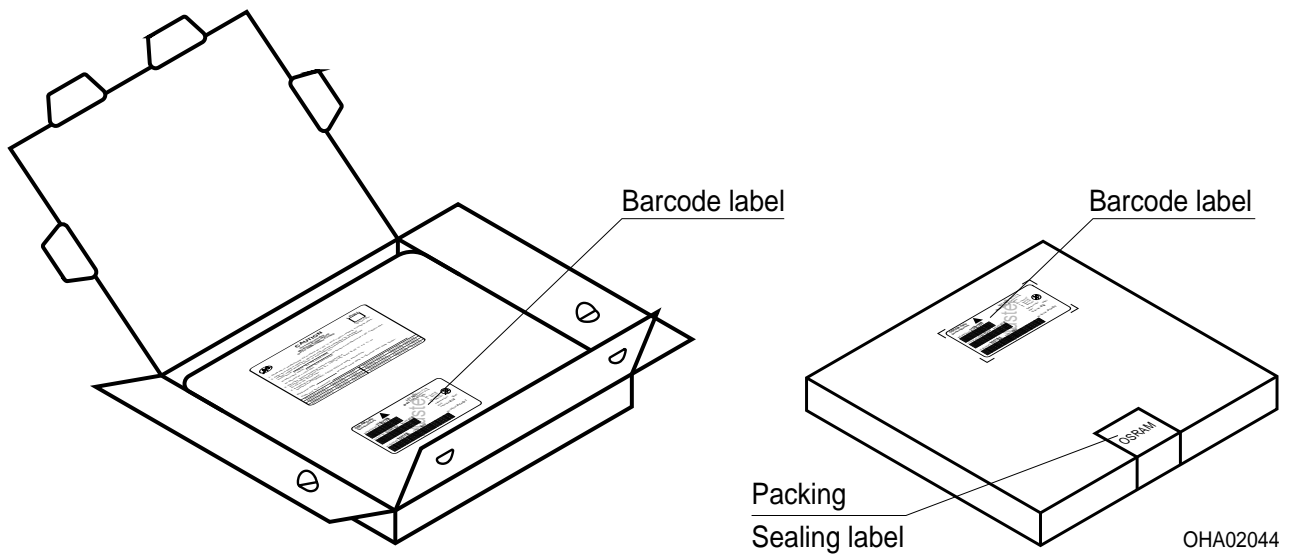
Regarding dry pack you will find further information in the internet and in the Short Form Catalog in chapter "Tape and Reel" under the topic "Dry Pack". Here you will also find the normative references like JEDEC.

Anm.:

Feuchteempfindliche Produkte sind verpackt in einem Trockenbeutel zusammen mit einem Trockenmittel und einer Feuchteindikatorkarte.

Bezüglich Trockenverpackung finden Sie weitere Hinweise im Internet und in unserem Short Form Catalog im Kapitel "Gurtung und Verpackung" unter dem Punkt "Trockenverpackung". Hier sind Normenbezüge, unter anderem ein Auszug der JEDEC-Norm, enthalten.

Transportation Packing and Materials Kartonverpackung und Materialien



Dimensions of transportation box in mm

Width Breite	Length Länge	Height Höhe
195 ± 5	195 ± 5	30 ± 5

Notes

The evaluation of eye safety occurs according to the standard IEC 62471:2008 ("photobiological safety of lamps and lamp systems"). Within the risk grouping system of this CIE standard, the LED specified in this data sheet fall into the class Exempt group (exposure time 10000 s). Under real circumstances (for exposure time, eye pupils, observation distance), it is assumed that no endangerment to the eye exists from these devices. As a matter of principle, however, it should be mentioned that intense light sources have a high secondary exposure potential due to their blinding effect. As is also true when viewing other bright light sources (e.g. spotlights), temporary reduction in visual acuity and afterimages can occur, leading to irritation, annoyance, visual impairment, and even accidents, depending on the situation.

Subcomponents of this LED are silverplated. Silver is discoloring when being exposed to environments containing high concentrations of aggressive substances. Corroded silver may lead to a worsening of the optical performance of the LED and can in the worst case lead to a failure of the LED. Do not expose this LED to aggressive atmospheres. Note, that corrosive gases may as well be emitted from materials close to the LED in the final product.

This LED is designed for specific/recommended applications only. Please consult OSRAM Opto Semiconductors Sales Staff in advance for detailed information on other non-recommended applications (e.g. automotive)

OR

Please visit www.osram-os.com/apnotes.

Change management for this component is aligned with the requirements of the lighting market.

Hinweise

Die Bewertung der Augensicherheit erfolgt nach dem Standard IEC 62471:2008 ("photobiological safety of lamps and lamp systems"). Im Risikogruppensystem dieser CIE- Norm erfüllen die in diesem Datenblatt angegebenen LEDs folgende Gruppenanforderung - Exempt group (Expositionsdauer 10000 s). Unter realen Umständen (für Expositionsdauer, Augenpupille, Betrachtungsabstand) geht damit von diesen Bauelementen keinerlei Augengefährdung aus. Grundsätzlich sollte jedoch erwähnt werden, dass intensive Lichtquellen durch ihre Blendwirkung ein hohes sekundäres Gefahrenpotenzial besitzen. Nach einem Blick in eine helle Lichtquelle (z.B. Spotlights), kann ein temporär eingeschränktes Sehvermögen oder auch Nachbilder zu Irritationen, Belästigungen, Beeinträchtigungen oder sogar Unfällen führen.

Einzelkomponenten dieser LED sind silberbeschichtet. Silberoberflächen werden durch korrosive Substanzen verändert. Korrodiertes Silber kann zu einer Verschlechterung der optischen Eigenschaften und im schlimmsten Fall zum Ausfall der LED führen. Diese LED darf aggressiven Bedingungen nicht ausgesetzt werden. Es ist zu beachten, dass korrosive Gase auch von Materialien emittiert werden können, die sich im Endprodukt in unmittelbarer Umgebung der LED befinden.

Die LED ist ausschließlich für spezifisch empfohlene Anwendungen konzipiert. Bitte kontaktieren Sie das OSRAM Opto Semiconductors Vertriebspersonal für detaillierte Informationen über nicht empfohlene Anwendungsbereiche (z.B. Automobilbereich). oder besuchen Sie

www.osram-os.com/apnotes

Das Änderungsmanagement dieses Bauteils ist an den Anforderungen des Lichtmarktes ausgerichtet.

Disclaimer

Language english will prevail in case of any discrepancies or deviations between the two language wordings.

Attention please!

The information describes the type of component and shall not be considered as assured characteristics.

Terms of delivery and rights to change design reserved. Due to technical requirements components may contain dangerous substances.

For information on the types in question please contact our Sales Organization.

If printed or downloaded, please find the latest version in the Internet.

Packing

Please use the recycling operators known to you. We can also help you – get in touch with your nearest sales office.

By agreement we will take packing material back, if it is sorted. You must bear the costs of transport. For packing material that is returned to us unsorted or which we are not obliged to accept, we shall have to invoice you for any costs incurred.

Components used in life-support devices or systems must be expressly authorized for such purpose!

Critical components* may only be used in life-support devices** or systems with the express written approval of OSRAM OS.

*) A critical component is a component used in a life-support device or system whose failure can reasonably be expected to cause the failure of that life-support device or system, or to affect its safety or the effectiveness of that device or system.

**) Life support devices or systems are intended (a) to be implanted in the human body, or (b) to support and/or maintain and sustain human life. If they fail, it is reasonable to assume that the health and the life of the user may be endangered.

Disclaimer

Bei abweichenden Angaben im zweisprachigen Wortlaut haben die Angaben in englischer Sprache Vorrang.

Bitte beachten!

Lieferbedingungen und Änderungen im Design vorbehalten. Aufgrund technischer Anforderungen können die Bauteile Gefahrstoffe enthalten. Für weitere Informationen zu gewünschten Bauteilen, wenden Sie sich bitte an unseren Vertrieb. Falls Sie dieses Datenblatt ausgedruckt oder heruntergeladen haben, finden Sie die aktuellste Version im Internet.

Verpackung

Benutzen Sie bitte die Ihnen bekannten Recyclingwege. Wenn diese nicht bekannt sein sollten, wenden Sie sich bitte an das nächstgelegene Vertriebsbüro. Wir nehmen das Verpackungsmaterial zurück, falls dies vereinbart wurde und das Material sortiert ist. Sie tragen die Transportkosten. Für Verpackungsmaterial, das unsortiert an uns zurückgeschickt wird oder das wir nicht annehmen müssen, stellen wir Ihnen die anfallenden Kosten in Rechnung.

Bauteile, die in lebenserhaltenden Apparaten und Systemen eingesetzt werden, müssen für diese Zwecke ausdrücklich zugelassen sein!

Kritische Bauteile* dürfen in lebenserhaltenden Apparaten und Systemen** nur dann eingesetzt werden, wenn ein schriftliches Einverständnis von OSRAM OS vorliegt.

*) Ein kritisches Bauteil ist ein Bauteil, das in lebenserhaltenden Apparaten oder Systemen eingesetzt wird und dessen Defekt voraussichtlich zu einer Fehlfunktion dieses lebenserhaltenden Apparates oder Systems führen wird oder die Sicherheit oder Effektivität dieses Apparates oder Systems beeinträchtigt.

**) Lebenserhaltende Apparate oder Systeme sind für (a) die Implantierung in den menschlichen Körper oder (b) für die Lebenserhaltung bestimmt. Falls Sie versagen, kann davon ausgegangen werden, dass die Gesundheit und das Leben des Patienten in Gefahr ist.

Glossary

- 1) **Brightness:** Brightness values are measured during a current pulse of typically 10 ms, with a tolerance of +/- 7%.
- 2) **Forward Voltage:** The Forward voltage is measured during a current pulse duration of typically 1 ms with a tolerance of $\pm 0.05V$.
- 3) **Color reproduction index:** Color reproduction index values (CRI-RA) are measured during a current pulse of typically 10 ms and with a tolerance of ± 2 .
- 4) **Thermal Resistance:** $R_{th\ max}$ is based on statistic values (6σ).
- 5) **Typical Values:** Due to the special conditions of the manufacturing processes of LED, the typical data or calculated correlations of technical parameters can only reflect statistical figures. These do not necessarily correspond to the actual parameters of each single product, which could differ from the typical data and calculated correlations or the typical characteristic line. If requested, e.g. because of technical improvements, these typ. data will be changed without any further notice.
- 6) **Chromaticity coordinate groups:** Chromaticity coordinate groups are measured during a current pulse duration of typically 10ms with a tolerance of ± 0.005 .
- 7) **Characteristic curve:** In the range where the line of the graph is broken, you must expect higher differences between single LEDs within one packing unit.
- 8) **Tolerance of Measure:** Unless otherwise noted in drawing, tolerances are specified with ± 0.1 and dimensions are specified in mm.

Glossar

- 1) **Helligkeit:** Helligkeitswerte werden während eines Strompulses mit einer typischen Dauer von 10 ms, mit einer Genauigkeit von $\pm 7\%$ ermittelt.
- 2) **Vorwärtsspannung:** Spannungswerte werden mit einer Stromeinprägedauer von 1 ms, mit einer Genauigkeit von $\pm 0.05 V$ ermittelt.
- 3) **Farbwiedergabe Index:** Werte des Farbwiedergabe Index (CRI-RA) werden während eines Strompulses einer typischen Dauer von 10 ms, mit einer Genauigkeit von ± 2 ermittelt.
- 4) **Wärmewiderstand:** $R_{th\ max}$ basiert auf statistischen Werten (6σ).
- 5) **Typische Werte:** Wegen der besonderen Prozessbedingungen bei der Herstellung von LED können typische oder abgeleitete technische Parameter nur aufgrund statistischer Werte wiedergegeben werden. Diese stimmen nicht notwendigerweise mit den Werten jedes einzelnen Produktes überein, dessen Werte sich von typischen und abgeleiteten Werten oder typischen Kennlinien unterscheiden können. Falls erforderlich, z.B. aufgrund technischer Verbesserungen, werden diese typischen Werte ohne weitere Ankündigung geändert.
- 6) **Farbortgruppen:** Farbortgruppen werden mit einer Stromeinprägedauer von 10 ms, mit einer Genauigkeit von ± 0.005 ermittelt.
- 7) **Kennlinien:** Im gestrichelten Bereich der Kennlinien muss mit erhöhten Abweichungen zwischen Leuchtdioden innerhalb einer Verpackungseinheit gerechnet werden.
- 8) **Maßtoleranz:** Wenn in der Zeichnung nicht anders angegeben, gilt eine Toleranz von $\pm 0,1$. Maße werden in mm angegeben.

Published by OSRAM Opto Semiconductors GmbH
Leibnizstraße 4, D-93055 Regensburg
www.osram-os.com © All Rights Reserved.

EU RoHS and China RoHS compliant product



此产品符合欧盟 RoHS 指令的要求；

按照中国的相关法规和标准，不含有毒有害物质或元素。



Компания «ЭлектроПласт» предлагает заключение долгосрочных отношений при поставках импортных электронных компонентов на взаимовыгодных условиях!

Наши преимущества:

- Оперативные поставки широкого спектра электронных компонентов отечественного и импортного производства напрямую от производителей и с крупнейших мировых складов;
- Поставка более 17-ти миллионов наименований электронных компонентов;
- Поставка сложных, дефицитных, либо снятых с производства позиций;
- Оперативные сроки поставки под заказ (от 5 рабочих дней);
- Экспресс доставка в любую точку России;
- Техническая поддержка проекта, помощь в подборе аналогов, поставка прототипов;
- Система менеджмента качества сертифицирована по Международному стандарту ISO 9001;
- Лицензия ФСБ на осуществление работ с использованием сведений, составляющих государственную тайну;
- Поставка специализированных компонентов (Xilinx, Altera, Analog Devices, Intersil, Interpoint, Microsemi, Aeroflex, Peregrine, Syfer, Eurofarad, Texas Instrument, Miteq, Cobham, E2V, MA-COM, Hittite, Mini-Circuits, General Dynamics и др.);

Помимо этого, одним из направлений компании «ЭлектроПласт» является направление «Источники питания». Мы предлагаем Вам помощь Конструкторского отдела:

- Подбор оптимального решения, техническое обоснование при выборе компонента;
- Подбор аналогов;
- Консультации по применению компонента;
- Поставка образцов и прототипов;
- Техническая поддержка проекта;
- Защита от снятия компонента с производства.



Как с нами связаться

Телефон: 8 (812) 309 58 32 (многоканальный)

Факс: 8 (812) 320-02-42

Электронная почта: org@eplast1.ru

Адрес: 198099, г. Санкт-Петербург, ул. Калинина, дом 2, корпус 4, литера А.