

## Low-Power, High-Speed CMOS Analog Switches

### DESCRIPTION

The DG401B, DG403B, DG405B monolithic analog switches are replacements for the popular DG401/403/405 analog switches and provide improved performance, combining high speed ( $t_{ON}$ : 100 ns, typ) with low power consumption make the DG401B series ideal for portable and battery powered applications.

Built on the Vishay Siliconix proprietary high-voltage silicon-gate process to achieve high voltage rating and superior switch on/off performance, break-before-make is guaranteed for the SPDT configurations.

Each switch conducts equally well in both directions when on, and blocks up to 30 V peak-to-peak when off. On-resistance is very flat over the full  $\pm 15$  V analog range. The DG401B has two independent SPST switches. The DG403B has four SPST switches in NO/NC combinations. The DG405B has four switches in two SPST pairs (see Functional Block Diagrams and Pin Configurations on pages 1 and 2.)

The DG401B, DG403B, DG405B is available in both 16-pin plastic dip and 16-pin SOIC packages.

As a committed partner to the community and the environment, Vishay Siliconix manufactures this product with the lead (Pb)-free device terminations. For analog switching products manufactured with 100 % matte tin device terminations, the lead (Pb)-free “-E3” suffix is being used as a designator.

### FEATURES

- 44 V supply max rating
- $\pm 15$  V analog signal range
- On-resistance -  $R_{DS(on)}$ : 23  $\Omega$
- Low leakage -  $I_{D(on)}$ : 40 pA
- Fast switching -  $t_{ON}$ : 100 ns
- Upgrade to DG401B, DG403B, DG405B
- TTL, CMOS compatible
- Single supply capability

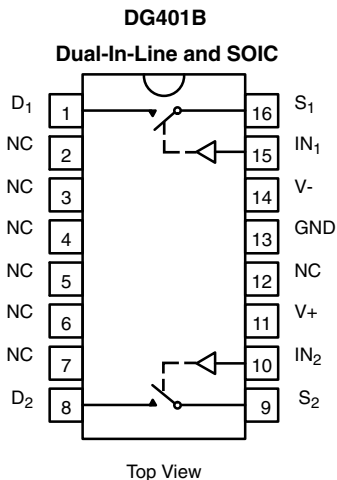
### BENEFITS

- Wide dynamic range
- Break-before-make switching action (DG403B only)
- Simple interfacing

### APPLICATIONS

- Audio and video switching
- Sample-and-hold circuits
- Test equipment
- PBX, PABX

### FUNCTIONAL BLOCK DIAGRAM AND PIN CONFIGURATION



Two SPST Switches per Package

| TRUTH TABLE |        |
|-------------|--------|
| Logic       | Switch |
| 0           | OFF    |
| 1           | ON     |

Logic "0"  $\leq 0.8$  V  
Logic "1"  $\geq 2.4$  V

## FUNCTIONAL BLOCK DIAGRAM AND PIN CONFIGURATION



Four SPST Switches in Two Pairs per Package

| TRUTH TABLE |                                   |                                   |
|-------------|-----------------------------------|-----------------------------------|
| Logic       | SW <sub>1</sub> , SW <sub>2</sub> | SW <sub>3</sub> , SW <sub>4</sub> |
| 0           | OFF                               | ON                                |
| 1           | ON                                | OFF                               |

Logic "0" ≤ 0.8 V

Logic "1" ≥ 2.4 V



Four SPST Switches in Two Pairs per Package

| TRUTH TABLE |        |
|-------------|--------|
| Logic       | Switch |
| 0           | OFF    |
| 1           | ON     |

Logic "0" ≤ 0.8 V

Logic "1" ≥ 2.4 V

### ORDERING INFORMATION

| Standard Commercial Part Number | Lead (Pb)-free Commercial Part Number | Package                               | Temperature Range |
|---------------------------------|---------------------------------------|---------------------------------------|-------------------|
| DG401BDJ                        | DG401BDJ-E3                           | 16-Pin Plastic Dip                    | - 40 to 85 °C     |
| DG403BDJ                        | DG403BDJ-E3                           |                                       |                   |
| DG405BDJ                        | DG405BDJ-E3                           |                                       |                   |
| DG401BDY                        | DG401BDY-E3                           | 16-Pin Narrow SOIC                    |                   |
| DG403BDY                        | DG403BDY-E3                           |                                       |                   |
| DG405BDY                        | DG405BDY-E3                           |                                       |                   |
| DG401BDY-T1                     | DG401BDY-T1-E3                        | 16-Pin Narrow SOIC With Tape and Reel |                   |
| DG403BDY-T1                     | DG403BDY-T1-E3                        |                                       |                   |
| DG405BDY-T1                     | DG405BDY-T1-E3                        |                                       |                   |



| ABSOLUTE MAXIMUM RATINGS                                      |                                 |   |      |
|---|---------------------------------|---|------|
| Parameter   | Symbol                          | Limit   | Unit |
| V+ to V-  |                                 | 44  | V    |
| GND to V-   |                                 | 25  |      |
| Digital Inputs <sup>a</sup> , V <sub>S</sub> , V <sub>D</sub> |                                 | (V-) - 0.3 V to (V+) + 0.3 V or 30 mA, whichever occurs first |      |
| Current (Any Terminal) Continuous                             |                                 | 30  | mA   |
| Current, S or D (Pulsed 1 ms 10 % duty)                       |                                 | 100   |      |
| Storage Temperature   | (DJ, DY Suffix)                 | - 65 to 125   | °C   |
| Power Dissipation (Package) <sup>b</sup>                      | 16-Pin Plastic DIP <sup>c</sup> | 450   | mW   |
|   | 16-Pin SOIC <sup>d</sup>        | 600   |      |

Notes:

- a. Signals on S<sub>X</sub>, D<sub>X</sub>, or IN<sub>X</sub> exceeding V+ or V- will be clamped by internal diodes. Limit forward diode current to maximum current ratings.
- b. All leads welded or soldered to PC board.
- c. Derate 6 mW/°C above 75 °C.
- d. Derate 7.6 mW/°C above 75 °C.

Stresses beyond those listed under "Absolute Maximum Ratings" may cause permanent damage to the device. These are stress ratings only, and functional operation of the device at these or any other conditions beyond those indicated in the operational sections of the specifications is not implied. Exposure to absolute maximum rating conditions for extended periods may affect device reliability.

| SPECIFICATIONS <sup>a</sup>           |                                     |   |                    |                            |                   |                   |      |
|---------------------------------------|-------------------------------------|---|--------------------|----------------------------|-------------------|-------------------|------|
| Parameter                             | Symbol                              | Test Conditions Unless Specified<br>V+ = 15 V, V- = - 15 V<br>V <sub>IN</sub> = 2.4 V, 0.8 V <sup>f</sup> | Temp. <sup>b</sup> | Limits<br>- 40 °C to 85 °C |                   |                   | Unit |
|                                       |                                     |   |                    | Min. <sup>d</sup>          | Typ. <sup>c</sup> | Max. <sup>d</sup> |      |
| <b>Analog Switch</b>                  |                                     |   |                    |                            |                   |                   |      |
| Analog Signal Range <sup>e</sup>      | V <sub>ANALOG</sub>                 |   | Full               | -15                        |                   | 15                | V    |
| Drain-Source On-Resistance            | R <sub>DS(on)</sub>                 | I <sub>S</sub> = - 10 mA, V <sub>D</sub> = ± 10 V<br>V+ = 13.5 V, V- = - 13.5 V                           | Room<br>Full       |                            | 23                | 45<br>55          | Ω    |
| Δ Drain-Source On-Resistance          | ΔR <sub>DS(on)</sub>                | I <sub>S</sub> = - 10 mA, V <sub>D</sub> = ± 5 V, 0 V<br>V+ = 16.5 V, V- = - 16.5 V                       | Room<br>Full       |                            | 0.72              | 3<br>5            |      |
| Switch Off Leakage Current            | I <sub>S(off)</sub>                 | V+ = 16.5, V- = - 16.5 V<br>V <sub>D</sub> = ± 15.5 V, V <sub>S</sub> = ± 15.5 V                          | Room<br>Hot        | - 0.5<br>- 5               | - 0.01            | 0.5<br>5          | nA   |
|                                       | I <sub>D(off)</sub>                 |   | Room<br>Hot        | - 0.5<br>- 5               | - 0.01            | 0.5<br>5          |      |
| Channel On Leakage Current            | I <sub>D(on)</sub>                  | V+ = 16.5 V, V- = - 16.5 V<br>V <sub>S</sub> = V <sub>D</sub> = ± 15.5 V                                  | Room<br>Hot        | - 1<br>- 10                | - 0.04            | 1<br>10           |      |
| <b>Digital Control</b>                |                                     |   |                    |                            |                   |                   |      |
| Input Current V <sub>IN</sub> Low     | I <sub>IL</sub>                     | V <sub>IN</sub> under test = 0.8 V, all other = 2.4 V   | Full               | - 1                        | 0.005             | 1                 | μA   |
| Input Current V <sub>IN</sub> High    | I <sub>IH</sub>                     | V <sub>IN</sub> under test = 2.4 V, all other = 0.8 V   | Full               | - 1                        | 0.005             | 1                 |      |
| <b>Dynamic Characteristics</b>        |                                     |   |                    |                            |                   |                   |      |
| Turn-On Time                          | t <sub>ON</sub>                     | R <sub>L</sub> = 300 Ω, C <sub>L</sub> = 35 pF<br>see figure 2  | Room               |                            | 100               | 150               | ns   |
| Turn-Off Time                         | t <sub>OFF</sub>                    |   | Room               |                            | 60                | 100               |      |
| Break-Before-Make Time Delay (DG403B) | t <sub>D</sub>                      | R <sub>L</sub> = 300 Ω, C <sub>L</sub> = 35 pF  | Room               | 5                          | 12                |                   |      |
| Charge Injection                      | Q                                   | C <sub>L</sub> = 10 000 pF, V <sub>gen</sub> = 0 V, R <sub>gen</sub> = 0 Ω                                | Room               |                            | 60                |                   | pC   |
| Off Isolation Reject Ratio            | OIRR                                | R <sub>L</sub> = 100 Ω, C <sub>L</sub> = 5 pF, f = 1 MHz  | Room               |                            | - 81.7            |                   | dB   |
| Channel-to-Channel Crosstalk          | X <sub>TALK</sub>                   |   | Room               |                            | - 94.8            |                   |      |
| Source Off Capacitance                | C <sub>S(off)</sub>                 | f = 1 MHz, V <sub>S</sub> = 0 V   | Room               |                            | 12                |                   | pF   |
| Drain Off Capacitance                 | C <sub>D(off)</sub>                 |   | Room               |                            | 12                |                   |      |
| Channel On Capacitance                | C <sub>D</sub> , C <sub>S(on)</sub> |   | Room               |                            | 39                |                   |      |

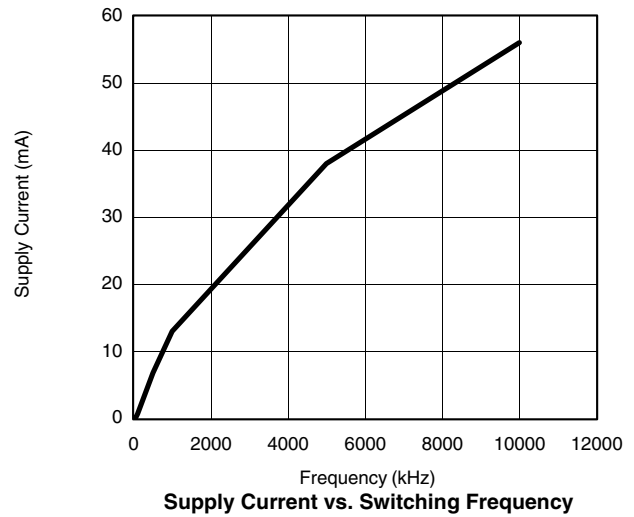
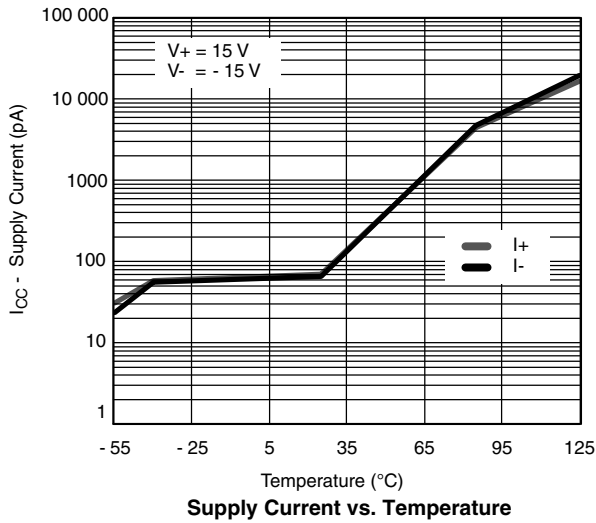


| SPECIFICATIONS <sup>a</sup> |                  |  |                       |                            |                   |                   |      |
|-----------------------------|------------------|--|-----------------------|----------------------------|-------------------|-------------------|------|
| Parameter                   | Symbol           | Test Conditions<br>Unless Specified<br>V <sub>+</sub> = 15 V, V <sub>-</sub> = - 15 V<br>V <sub>IN</sub> = 2.4 V, 0.8 V <sup>f</sup> | Temp.<br><sub>b</sub> | Limits<br>- 40 °C to 85 °C |                   |                   | Unit |
|                             |                  |  |                       | Min. <sup>d</sup>          | Typ. <sup>c</sup> | Max. <sup>d</sup> |      |
| <b>Power Supplies</b>       |                  |  |                       |                            |                   |                   |      |
| Positive Supply Current     | I <sub>+</sub>   | V <sub>+</sub> = 16.5 V, V <sub>-</sub> = - 16.5 V<br>V <sub>IN</sub> = 0 or 5 V   | Room Full             |                            | 0.250             | 0.5               | mA   |
| Negative Supply Current     | I <sub>-</sub>   |  | Room Full             | - 0.5<br>- 1               | 0.25              |                   |      |
| Ground Current              | I <sub>GND</sub> |  | Room Full             | - 0.5<br>- 1               | 0.25              |                   |      |

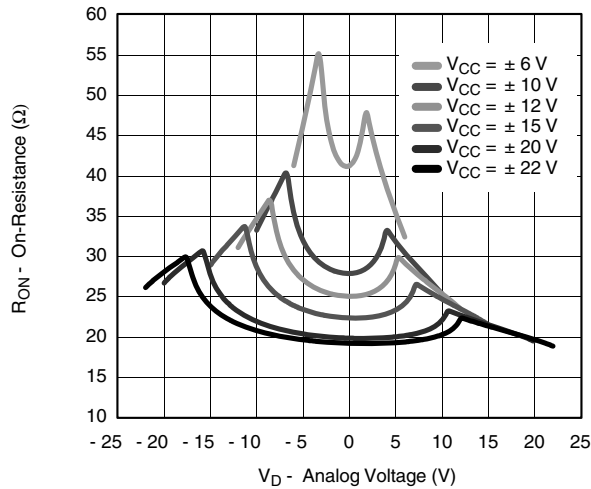
Notes:

- a. Refer to PROCESS OPTION FLOWCHART.
- b. Room = 25 °C, Full = as determined by the operating temperature suffix.
- c. Typical values are for DESIGN AID ONLY, not guaranteed nor subject to production testing.
- d. The algebraic convention whereby the most negative value is a minimum and the most positive a maximum, is used in this data sheet.
- e. Guaranteed by design, not subject to production test.
- f. V<sub>IN</sub> = input voltage to perform proper function.

## TYPICAL CHARACTERISTICS (25 °C, unless otherwise noted)



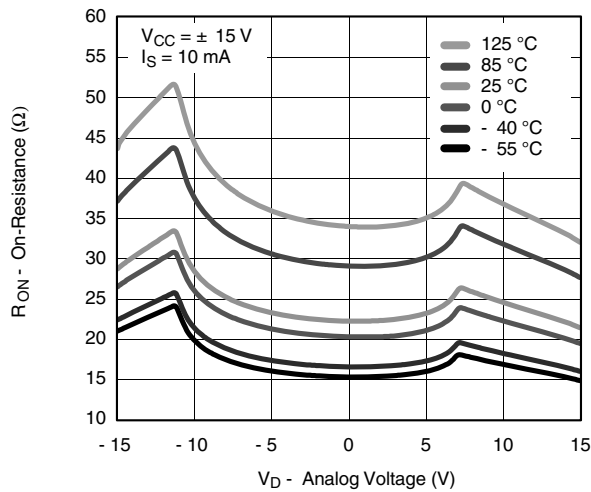
## TYPICAL CHARACTERISTICS (25 °C, unless otherwise noted)



**$R_{ON}$  vs. Analog Voltage and Supply Voltage**



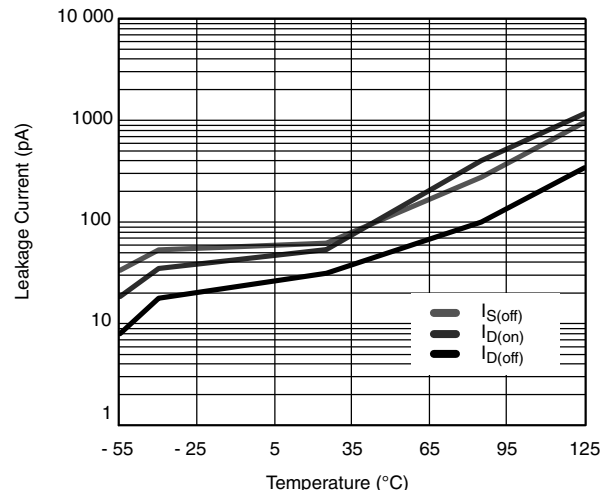
**$R_{ON}$  vs. Analog Voltage and Single Supply Voltage**



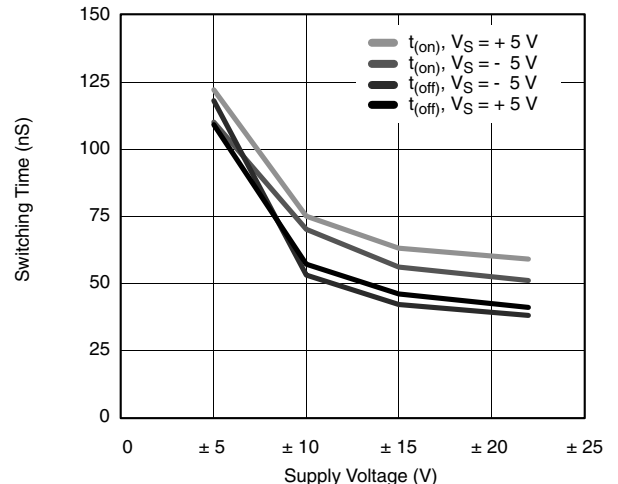
**$R_{ON}$  vs. Analog Voltage and Temperature**



**Leakage Current vs. Analog Voltage**

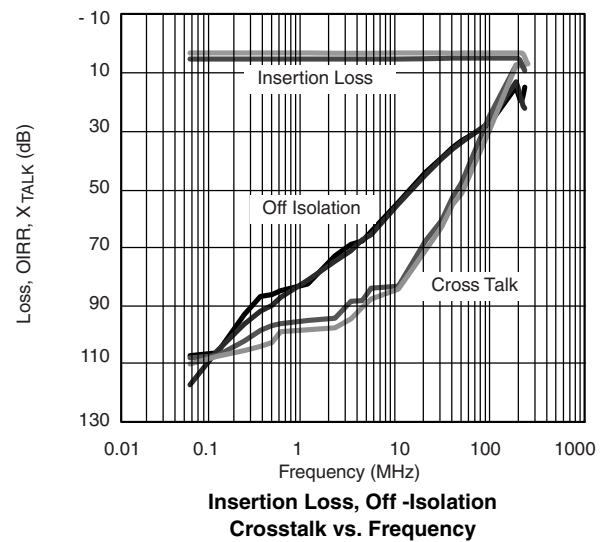
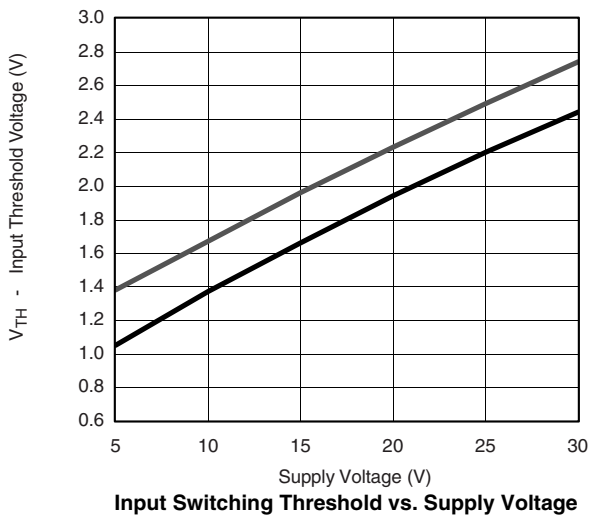
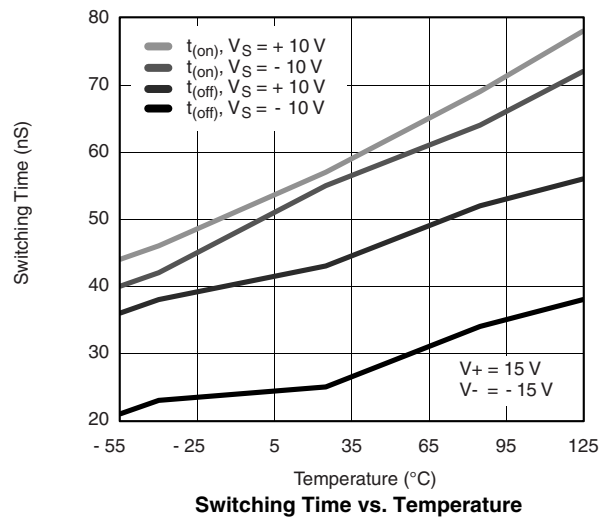


**Leakage Current vs. Temperature**



**Switching Time vs. Supply Voltage**

## TYPICAL CHARACTERISTICS (25 °C, unless otherwise noted)



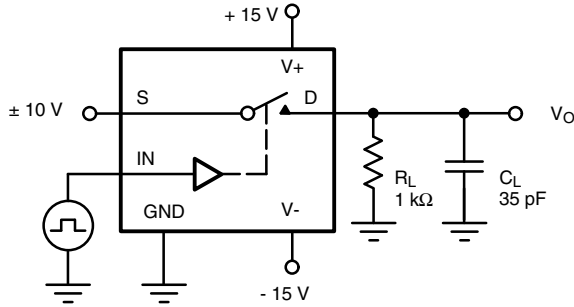
## SCHEMATIC DIAGRAM (Typical Channel)



Figure 1.

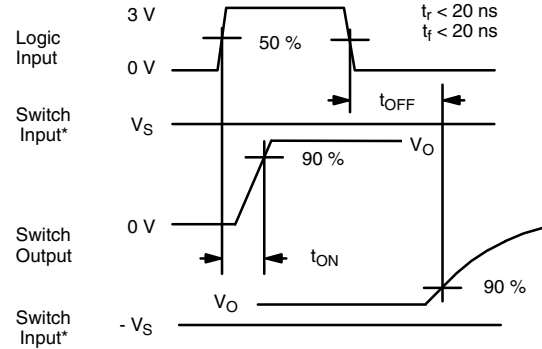
## TEST CIRCUITS

$V_O$  is the steady state output with the switch on. Feedthrough via switch capacitance may result in spikes at the leading and trailing edge of the output waveform.



$C_L$  (includes fixture and stray capacitance)

$$V_O = V_S \frac{R_L}{R_L + R_{DS(on)}}$$



\*  $V_S = 10\text{ V}$  for  $t_{ON}$ ,  $V_S = -10\text{ V}$  for  $t_{OFF}$

Note: Logic input waveform is inverted for switches that have the opposite logic sense control

Figure 2. Switching Time



$C_L$  (includes fixture and stray capacitance)



Figure 3. Break-Before-Make

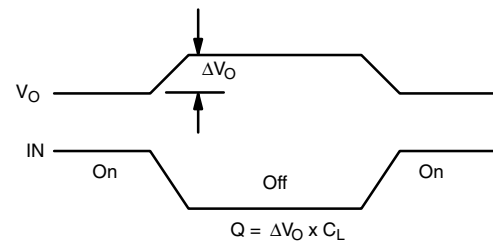
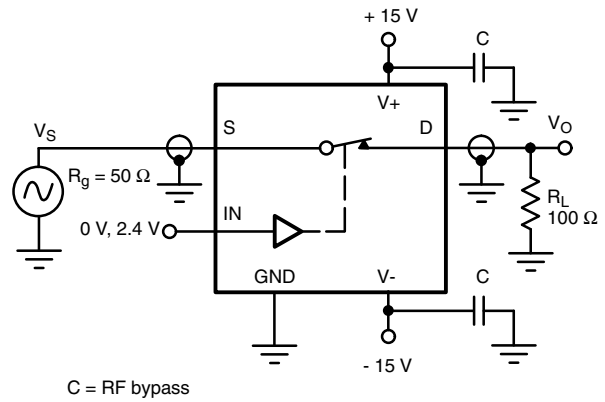


Figure 4. Charge Injection

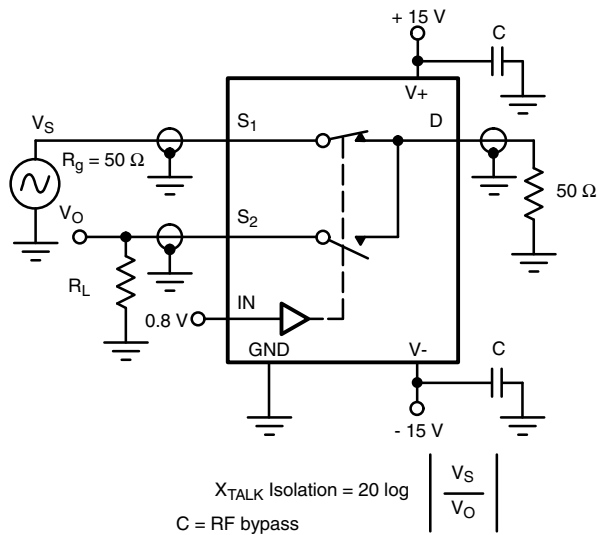
### TEST CIRCUITS



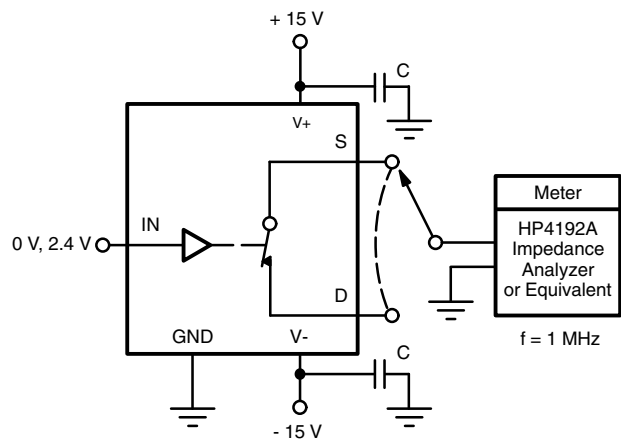
**Figure 5. Off Isolation**



**Figure 6. Insertion Loss**

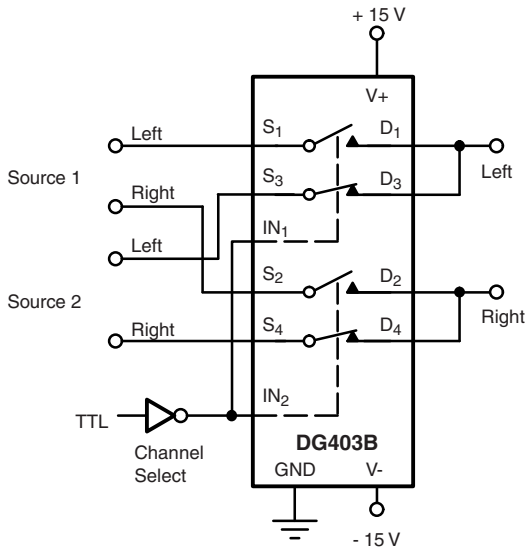
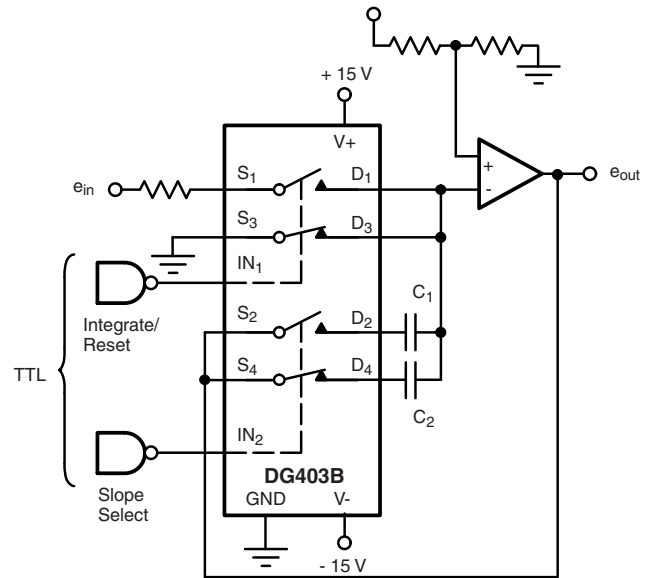


**Figure 7. Crosstalk**



**Figure 8. Capacitances**

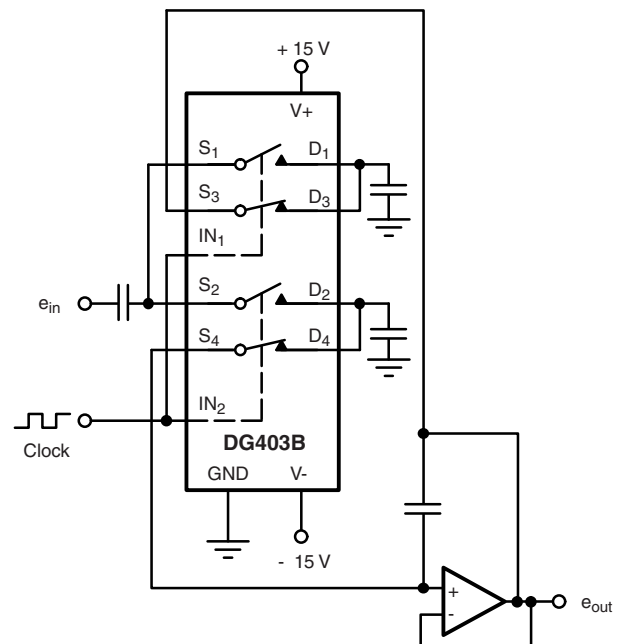


**APPLICATIONS**

**Figure 9. Stereo Source Selector**

**Figure 10. Dual Slope Integrator**
**Dual Slope Integrators**

The DG403B is well suited to configure a selectable slope integrator. One control signal selects the timing capacitor  $C_1$  or  $C_2$ . Another one selects  $e_{in}$  or discharges the capacitor in preparation for the next integration cycle.

**Band-Pass Switched Capacitor Filter**

Single-pole double-throw switches are a common element for switched capacitor networks and filters. The fast switching times and low leakage of the DG403B allow for higher clock rates and consequently higher filter operating frequencies.


**Figure 11. Band-Pass Switched Capacitor Filter**

## APPLICATIONS

### Peak Detector

$A_3$  acting as a comparator provides the logic drive for operating  $SW_1$ . The output of  $A_2$  is fed back to  $A_3$  and compared to the analog input  $e_{in}$ . If  $e_{in} > e_{out}$  the output of  $A_3$  is high keeping  $SW_1$  closed. This allows  $C_1$  to charge up to

the analog input voltage. When  $e_{in}$  goes below  $e_{out}$   $A_3$  goes negative, turning  $SW_1$  off. The system will therefore store the most positive analog input experienced.

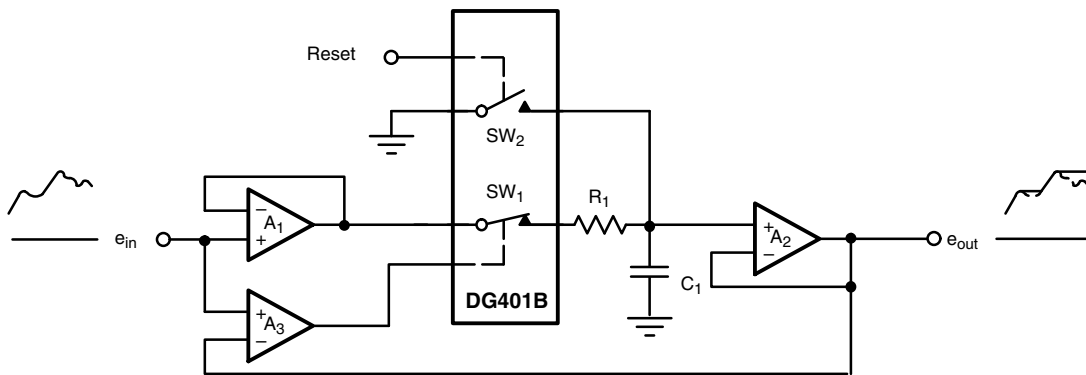


Figure 12. Positive Peak Detector

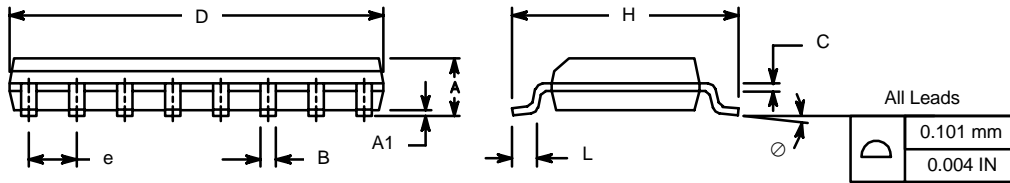


**SOIC (NARROW): 16-LEAD**  
JEDEC Part Number: MS-012

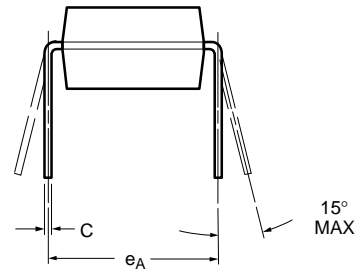
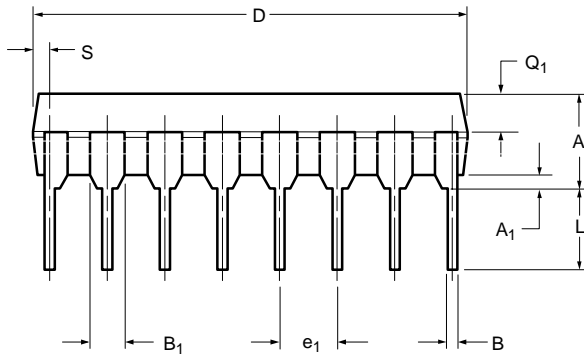
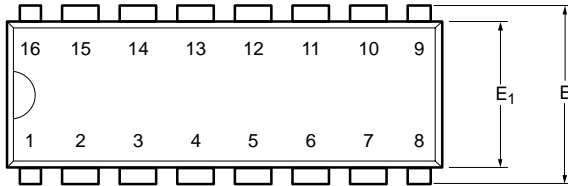


| Dim            | MILLIMETERS |       | INCHES    |       |
|----------------|-------------|-------|-----------|-------|
|                | Min         | Max   | Min       | Max   |
| A              | 1.35        | 1.75  | 0.053     | 0.069 |
| A <sub>1</sub> | 0.10        | 0.20  | 0.004     | 0.008 |
| B              | 0.38        | 0.51  | 0.015     | 0.020 |
| C              | 0.18        | 0.23  | 0.007     | 0.009 |
| D              | 9.80        | 10.00 | 0.385     | 0.393 |
| E              | 3.80        | 4.00  | 0.149     | 0.157 |
| e              | 1.27 BSC    |       | 0.050 BSC |       |
| H              | 5.80        | 6.20  | 0.228     | 0.244 |
| L              | 0.50        | 0.93  | 0.020     | 0.037 |
| ∅              | 0°          | 8°    | 0°        | 8°    |

ECN: S-03946—Rev. F, 09-Jul-01  
DWG: 5300



### PDIP: 16-LEAD



| Dim                  | MILLIMETERS |       | INCHES |       |
|----------------------|-------------|-------|--------|-------|
|                      | Min         | Max   | Min    | Max   |
| <b>A</b>             | 3.81        | 5.08  | 0.150  | 0.200 |
| <b>A<sub>1</sub></b> | 0.38        | 1.27  | 0.015  | 0.050 |
| <b>B</b>             | 0.38        | 0.51  | 0.015  | 0.020 |
| <b>B<sub>1</sub></b> | 0.89        | 1.65  | 0.035  | 0.065 |
| <b>C</b>             | 0.20        | 0.30  | 0.008  | 0.012 |
| <b>D</b>             | 18.93       | 21.33 | 0.745  | 0.840 |
| <b>E</b>             | 7.62        | 8.26  | 0.300  | 0.325 |
| <b>E<sub>1</sub></b> | 5.59        | 7.11  | 0.220  | 0.280 |
| <b>e<sub>1</sub></b> | 2.29        | 2.79  | 0.090  | 0.110 |
| <b>e<sub>A</sub></b> | 7.37        | 7.87  | 0.290  | 0.310 |
| <b>L</b>             | 2.79        | 3.81  | 0.110  | 0.150 |
| <b>Q<sub>1</sub></b> | 1.27        | 2.03  | 0.050  | 0.080 |
| <b>S</b>             | 0.38        | 1.52  | .015   | 0.060 |

ECN: S-03946—Rev. D, 09-Jul-01  
DWG: 5482

## RECOMMENDED MINIMUM PADS FOR SO-16



Recommended Minimum Pads  
Dimensions in Inches/(mm)

[Return to Index](#)



## Disclaimer

ALL PRODUCT, PRODUCT SPECIFICATIONS AND DATA ARE SUBJECT TO CHANGE WITHOUT NOTICE TO IMPROVE RELIABILITY, FUNCTION OR DESIGN OR OTHERWISE.

Vishay Intertechnology, Inc., its affiliates, agents, and employees, and all persons acting on its or their behalf (collectively, "Vishay"), disclaim any and all liability for any errors, inaccuracies or incompleteness contained in any datasheet or in any other disclosure relating to any product.

Vishay makes no warranty, representation or guarantee regarding the suitability of the products for any particular purpose or the continuing production of any product. To the maximum extent permitted by applicable law, Vishay disclaims (i) any and all liability arising out of the application or use of any product, (ii) any and all liability, including without limitation special, consequential or incidental damages, and (iii) any and all implied warranties, including warranties of fitness for particular purpose, non-infringement and merchantability.

Statements regarding the suitability of products for certain types of applications are based on Vishay's knowledge of typical requirements that are often placed on Vishay products in generic applications. Such statements are not binding statements about the suitability of products for a particular application. It is the customer's responsibility to validate that a particular product with the properties described in the product specification is suitable for use in a particular application. Parameters provided in datasheets and/or specifications may vary in different applications and performance may vary over time. All operating parameters, including typical parameters, must be validated for each customer application by the customer's technical experts. Product specifications do not expand or otherwise modify Vishay's terms and conditions of purchase, including but not limited to the warranty expressed therein.

Except as expressly indicated in writing, Vishay products are not designed for use in medical, life-saving, or life-sustaining applications or for any other application in which the failure of the Vishay product could result in personal injury or death. Customers using or selling Vishay products not expressly indicated for use in such applications do so at their own risk. Please contact authorized Vishay personnel to obtain written terms and conditions regarding products designed for such applications.

No license, express or implied, by estoppel or otherwise, to any intellectual property rights is granted by this document or by any conduct of Vishay. Product names and markings noted herein may be trademarks of their respective owners.

## Material Category Policy

**Vishay Intertechnology, Inc. hereby certifies that all its products that are identified as RoHS-Compliant fulfill the definitions and restrictions defined under Directive 2011/65/EU of The European Parliament and of the Council of June 8, 2011 on the restriction of the use of certain hazardous substances in electrical and electronic equipment (EEE) - recast, unless otherwise specified as non-compliant.**

**Please note that some Vishay documentation may still make reference to RoHS Directive 2002/95/EC. We confirm that all the products identified as being compliant to Directive 2002/95/EC conform to Directive 2011/65/EU.**

**Vishay Intertechnology, Inc. hereby certifies that all its products that are identified as Halogen-Free follow Halogen-Free requirements as per JEDEC JS709A standards. Please note that some Vishay documentation may still make reference to the IEC 61249-2-21 definition. We confirm that all the products identified as being compliant to IEC 61249-2-21 conform to JEDEC JS709A standards.**



Компания «ЭлектроПласт» предлагает заключение долгосрочных отношений при поставках импортных электронных компонентов на взаимовыгодных условиях!

Наши преимущества:

- Оперативные поставки широкого спектра электронных компонентов отечественного и импортного производства напрямую от производителей и с крупнейших мировых складов;
- Поставка более 17-ти миллионов наименований электронных компонентов;
- Поставка сложных, дефицитных, либо снятых с производства позиций;
- Оперативные сроки поставки под заказ (от 5 рабочих дней);
- Экспресс доставка в любую точку России;
- Техническая поддержка проекта, помощь в подборе аналогов, поставка прототипов;
- Система менеджмента качества сертифицирована по Международному стандарту ISO 9001;
- Лицензия ФСБ на осуществление работ с использованием сведений, составляющих государственную тайну;
- Поставка специализированных компонентов (Xilinx, Altera, Analog Devices, Intersil, Interpoint, Microsemi, Aeroflex, Peregrine, Syfer, Eurofarad, Texas Instrument, Miteq, Cobham, E2V, MA-COM, Hittite, Mini-Circuits, General Dynamics и др.);

Помимо этого, одним из направлений компании «ЭлектроПласт» является направление «Источники питания». Мы предлагаем Вам помощь Конструкторского отдела:

- Подбор оптимального решения, техническое обоснование при выборе компонента;
- Подбор аналогов;
- Консультации по применению компонента;
- Поставка образцов и прототипов;
- Техническая поддержка проекта;
- Защита от снятия компонента с производства.



#### Как с нами связаться

**Телефон:** 8 (812) 309 58 32 (многоканальный)

**Факс:** 8 (812) 320-02-42

**Электронная почта:** [org@eplast1.ru](mailto:org@eplast1.ru)

**Адрес:** 198099, г. Санкт-Петербург, ул. Калинина, дом 2, корпус 4, литера А.