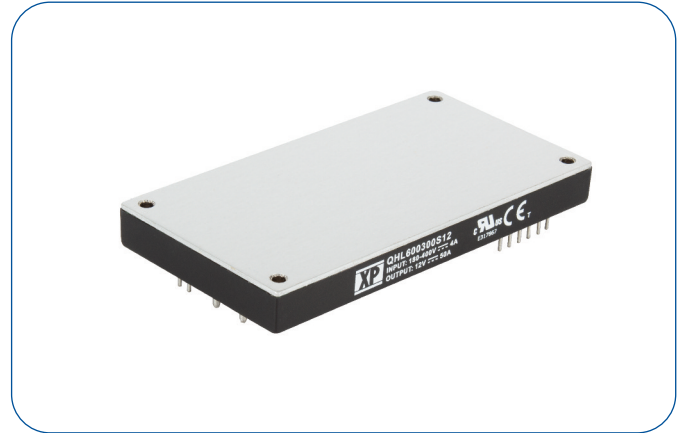


### 600 Watts

- 180 - 425 VDC input range
- Single output
- Industry standard full brick
- -40 °C to +100 °C operation
- 3000 VAC isolation
- Output trim -40% to +10%
- Remote on/off
- Current share and power good signals
- 3 year warranty



#### Dimensions:

##### QHL600:

4.6 x 2.4 x 0.5" (116.8 x 61.0 x 12.7 mm)

The QHL600 series offers a compact 600W DC-DC solution in an industry standard full brick package. This series of modules enables effective construction of distributed power architectures from AC front ends, PFC front ends and battery systems.

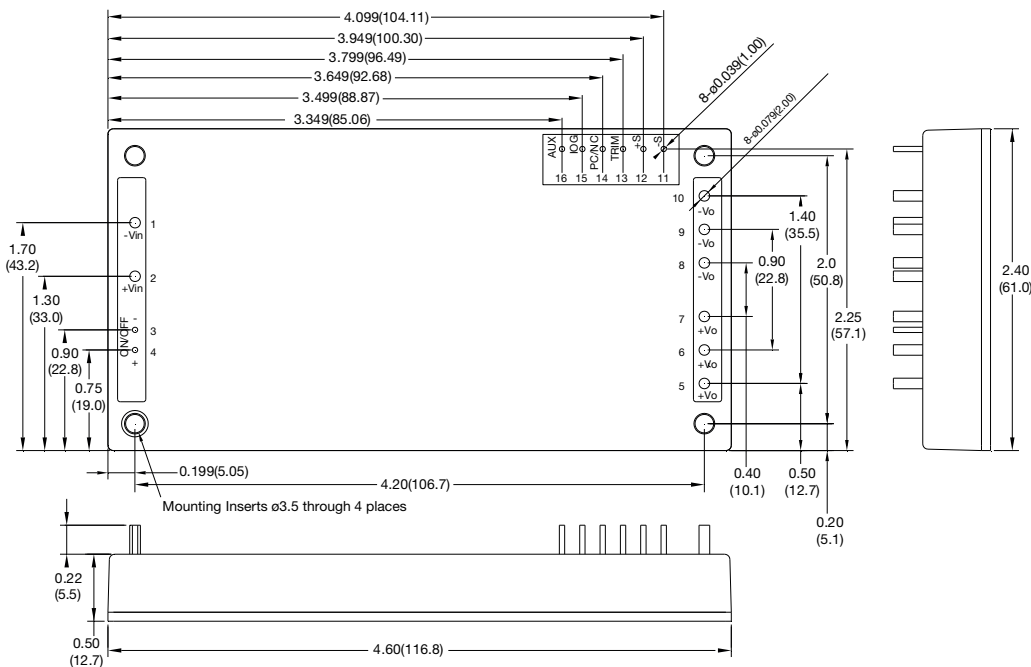
### Models & Ratings

Input Voltage	Output Voltage	Output Current	Input Current <sup>(1)</sup>		Ripple & noise <sup>(2)</sup>	Efficiency <sup>(1)</sup>	Max. capacitive load <sup>(3)</sup>	Model Number
			No Load	Full Load				
300 (180-425 V)	12 V	50.0 A	10 mA	2.24 A	150 mV	89.5%	10000 µF	QHL600300S12
	24 V	25.0 A	10 mA	2.21 A	240 mV	90.5%	10000 µF	QHL600300S24
	48 V	12.5 A	10 mA	2.20 A	480 mV	91.0%	8000 µF	QHL600300S48

### Notes

1. Measured at 300 VDC input.
2. Peak to peak measured at 20MHz bandwidth and 470 µF electrolytic/1 µF ceramic capacitors.
3. Minimum capacitive load of 470 µF required to maintain regulation.

### Mechanical Details



Pin Connections	
Pin	Function
1	-Vin
2	+Vin
3	REM-
4	REM+
5-7	+Vout
8-10	-Vout
11	-Sense
12	+Sense
13	Trim
14	Current Share
15	Power Good
16	Auxiliary, 7-13 V/20 mA

### Notes

1. All dimensions are in inches (mm)
2. Weight: 0.51 lbs (230 g) approx.
3. Tolerance: x.xx = ±0.02 (x.x = ±0.5)  
x.xxx = ±0.01 (x.xx = ±0.25)

### Input

Characteristic	Minimum	Typical	Maximum	Units	Notes & Conditions
Input Voltage Range	180		425	VDC	
Input Current	1.8		3.8	A	425-180 VDC input
Input Surge			475	VDC	For 100 ms
Undervoltage Lockout	>160 V	170	180	VDC	On
	<150 V	160	170		Off
Lockout Hysteresis		10		VDC	
Input Transient Voltage			475	VDC	For 100 ms
Input Overvoltage Lockout		480/500		VDC	Module On / Module Off
Idle Current		10		mA	When output is remotely turned off
Inrush Current			1.0	A <sup>2</sup> s	
Recommended Input Fuse		6.3		A	Fast acting type
Input Reflected Ripple Current			50	mA pk-pk	Through 10 µH inductor

### Output

Characteristic	Minimum	Typical	Maximum	Units	Notes & Conditions
Output Voltage	12		48	VDC	See Models and Ratings table
Output Trim	-40		+10	%	See Application Note
Initial Set Accuracy			±1	%	At full load
Minimum Load	0			%	No minimum load required
Line Regulation			±0.2	%	From minimum to maximum input at full load
Load Regulation			±0.5	%	From 0% to full load
Transient Response		±3.0	±5.0	%	Maximum deviation, recovering to less than 1% in 500 µs for 25% step load change.
Start Up Time		700		ms	
Output Voltage Rise Time		40		ms	
Ripple & Noise				mV pk-pk	See models and ratings table
Overload Protection	105		125	%	
Short Circuit Protection					Continuous hiccup mode, with auto recovery
Maximum Capacitive Load					See Models and Ratings table. Minimum capacitance of 330 µF required to meet specified regulations
Temperature Coefficient			0.03	%/°C	
Overvoltage Protection	115	125	140	%	
Remote On/Off	Output is on if REM+ (pin 4) is open or high (3.5-75 VDC) with respect to REM- (pin 3) or -Vin (positive logic) Output turns off if REM+ (pin 4) is low (<1.2 VDC max) with respect to REM- (pin 3) or -Vin				

### General

Characteristic	Minimum	Typical	Maximum	Units	Notes & Conditions
Efficiency		90		%	See Models and Ratings table
Isolation: Input to Output	3000			VAC	60 s
Isolation: Input to Case	2500			VAC	60 s
Isolation: Output to Case	500			VAC	60 s
Switching Frequency		200		kHz	Fixed, ±15%
Isolation Resistance	10 <sup>9</sup>			MΩ	
Case Material	Plastic (DAP) with aluminium base plate. UL94V-0 rated.				
Potting Material	Epoxy UL94V-0				
Pin Material	Copper with nickel and matte tin plate				
Solder Profile	260 °C max. Above 250 °C 3-6 seconds.				With iron 450°C for <5s
Water Wash	Use deionized water, do not soak. Dry thoroughly				
Power Density			135	W/in <sup>3</sup>	
Mean Time Between Failure		420		kHrs	MIL-HDBK-217F, +25 °C GB
Weight		0.51 (230.0)		lb (g)	

### Environmental

Characteristic	Minimum	Typical	Maximum	Units	Notes & Conditions
Operating Base Plate Temperature	-40		+100	°C	
Storage Temperature	-55		+105	°C	
Thermal Protection		+105		°C	Auto recovery at 75 °C typical
Humidity			95	%RH	Non-condensing
Cooling					Baseplate-cooled
Altitude			2000	m	Operating. Storage to 12000 m

### Safety Approvals

Agency	Standard	Notes & Conditions
UL	cUL60950-1	ITE

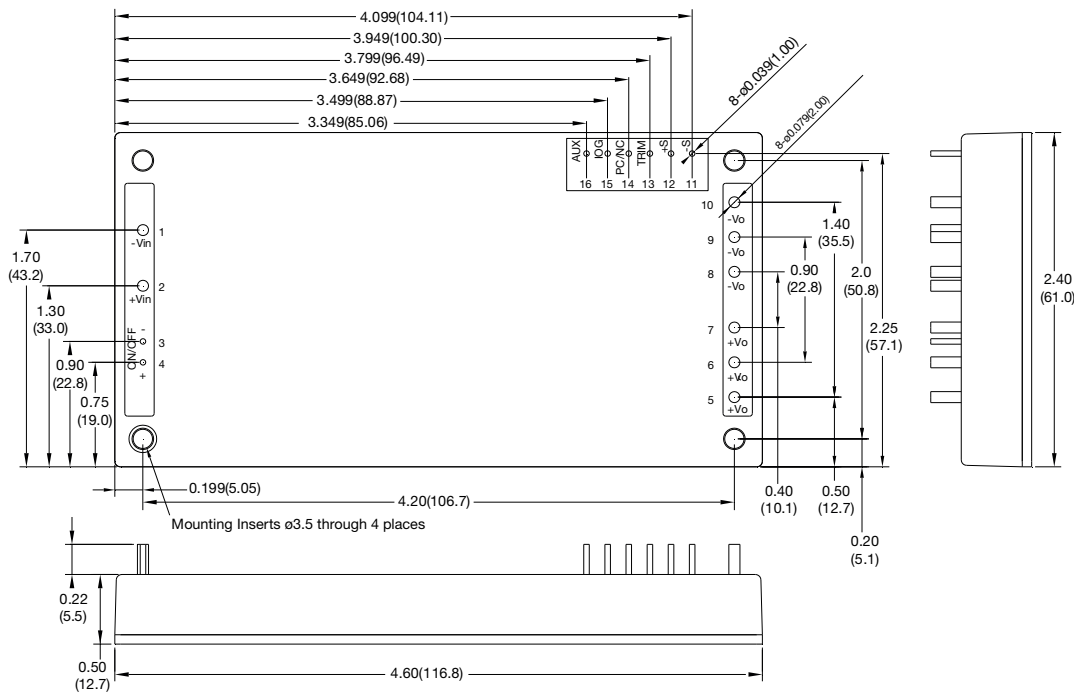
### EMC: Emissions

Phenomenon	Standard	Test Level	Notes & Conditions
Conducted	EN55032	Class A	See Application Notes
Radiated	EN55032	Class A	See Application Notes

### EMC: Immunity

Phenomenon	Standard	Test Level	Criteria	Notes & Conditions
ESD Immunity	EN61000-4-2	$\pm 4$ kV/ $\pm 8$ kV	A	Contact Discharge/Air Discharge
Radiated Immunity	EN61000-4-3	3 V rms	A	
EFT/Burst	EN61000-4-4	1 kV	A	Requires VZ1, VZ2, GT1 & GT2 as shown in emission application note
Surge	EN61000-4-5	2.0 kV	A	Requires VZ1, VZ2, GT1 & GT2 as shown in emission application note
Conducted Immunity	EN61000-4-6	3 V rms	A	
Magnetic Fields	EN61000-4-8	3 A/m	A	

### Mechanical Details



Pin Connections	
Pin	Function
1	-Vin
2	+Vin
3	REM-
4	REM+
5-7	+Vout
8-10	-Vout
11	-Sense
12	+Sense
13	Trim
14	Current Share
15	Power Good
16	Auxiliary, 7-13 V/20 mA

### Notes

- All dimensions are in inches (mm)
- Weight: 0.51 lbs (230 g) approx.
- Tolerance: x.xx =  $\pm 0.02$  (x.x =  $\pm 0.5$ )  
x.xxx =  $\pm 0.01$  (x.xx =  $\pm 0.25$ )

### Application Notes

#### Input Fusing and Safety Considerations

The QHL600 series converters have no internal fuse. In order to achieve maximum safety and system protection, always use an input line fuse. We recommended a 6.3 A fast acting fuse. It is recommended that the circuit has a transient voltage suppressor diode (TVS) across the input terminals to protect the unit against surge or spike voltages and input reverse voltage (as shown). A suitable part would be SMCJ440A.



Suggested Basic Layout

#### Output Voltage Adjustment

The Trim input permits the user to adjust the output voltage up by 10% or down by 40%. This is accomplished by connecting a mandatory external resistor between the Trim pin and negative sense pin of value 6.8kOhm. Then select Ru or Rd to determine desired output voltage.

C1: 220  $\mu$ F, 100 V  
C2: 470  $\mu$ F, 100 V

#### To Trim Down (Rd)

Trim Down %	12 V	15 V	24 V	28 V	36 V	48 V
	Rtrim_down (k $\Omega$ )					
1	10.63	13.29	21.26	24.80	31.89	42.51
2	10.40	13.00	20.80	24.27	31.20	41.60
3	10.17	12.71	20.34	23.73	30.51	40.69
4	9.943	12.43	19.89	23.20	29.83	39.77
5	9.714	12.14	19.43	22.67	29.14	38.86
6	9.486	11.86	18.97	22.13	28.46	37.94
7	9.257	11.57	18.51	21.60	27.77	37.03
8	9.029	11.29	18.06	21.07	27.09	36.11
9	8.800	11.00	17.60	20.53	26.40	35.20
10	8.571	10.71	17.14	20.00	25.71	34.29
11	8.343	10.43	16.69	19.47	25.03	33.37
12	8.114	10.14	16.23	18.93	24.34	32.46
13	7.886	9.857	15.77	18.40	23.66	31.54
14	7.657	9.571	15.31	17.87	22.97	30.63
15	7.429	9.286	14.86	17.33	22.29	29.71
16	7.200	9.000	14.40	16.80	21.60	28.80
17	6.971	8.714	13.94	16.27	20.91	27.89
18	6.743	8.429	13.49	15.73	20.23	26.97
19	6.514	8.143	13.03	15.20	19.54	26.06
20	6.286	7.857	12.57	14.67	18.86	25.14
21	6.057	7.571	12.11	14.13	18.17	24.23
22	5.829	7.286	11.66	13.60	17.49	23.31
23	5.600	7.000	11.20	13.07	16.80	22.40
24	5.371	6.714	10.74	12.53	16.11	21.49
25	5.143	6.429	10.29	12.00	15.43	20.57
26	4.914	6.143	9.829	11.47	14.74	19.66
27	4.686	5.857	9.371	10.93	14.06	18.74
28	4.457	5.571	8.914	10.40	13.37	17.83
29	4.229	5.286	8.457	9.867	12.69	16.91
30	4.000	5.000	8.000	9.333	12.00	16.00
31	3.771	4.714	7.543	8.800	11.31	15.09
32	3.543	4.429	7.086	8.267	10.63	14.17
33	3.314	4.143	6.629	7.733	9.943	13.26
34	3.086	3.857	6.171	7.200	9.257	12.34
35	2.857	3.571	5.714	6.667	8.571	11.43
36	2.629	3.286	5.257	6.133	7.886	10.51
37	2.400	3.000	4.800	5.600	7.200	9.600
38	2.171	2.714	4.343	5.067	6.514	8.686
39	1.943	2.429	3.886	4.533	5.829	7.771
40	1.714	2.143	3.429	4.000	5.143	6.857

#### To Trim Up (Ru)

Trim Up %	12 V	15 V	24 V	28 V	36 V	48 V
	Rtrim_up (k $\Omega$ )					
1	11.09	13.86	22.17	25.87	33.26	44.34
2	11.31	14.14	22.63	26.40	33.94	45.26
3	11.54	14.43	23.09	26.93	34.63	46.17
4	11.77	14.71	23.54	27.47	35.31	47.09
5	12.00	15.00	24.00	28.00	36.00	48.00
6	12.23	15.29	24.46	28.53	36.69	48.91
7	12.46	15.57	24.91	29.07	37.37	49.83
8	12.69	15.86	25.37	29.60	38.06	50.74
9	12.91	16.14	25.83	30.13	38.74	51.66
10	13.14	16.43	26.29	30.67	39.43	52.57

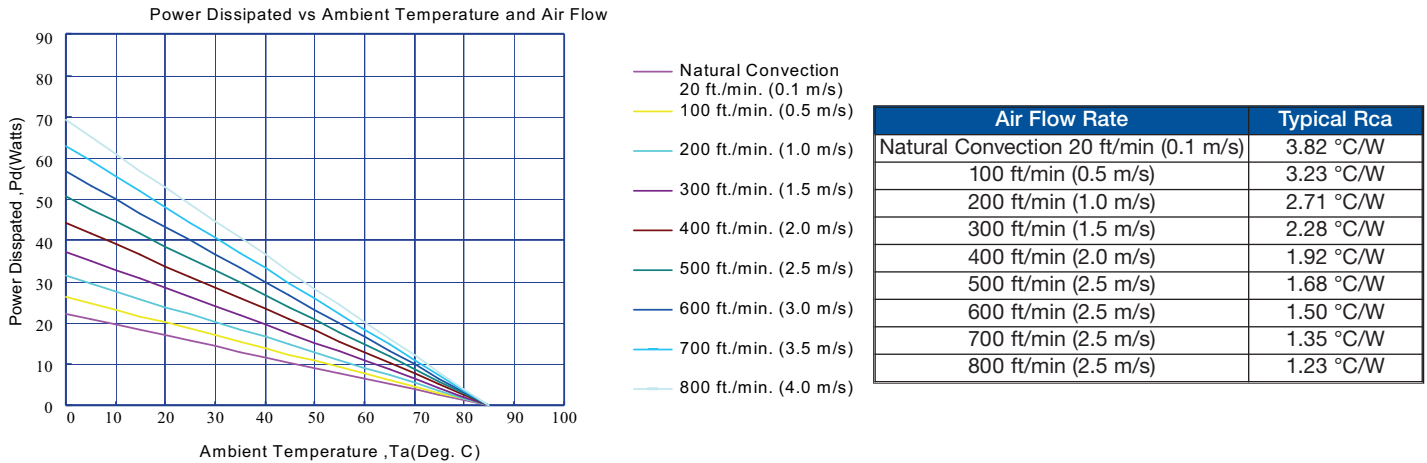
#### Power Good Signal

Open collector output, referenced to -Sense Pin. Output is pulled low if DC/DC is operating normally and floating if DC/DC is remotely turned off or operating abnormally.

### Application Notes

#### Thermal Resistance Information

#### Airflow Derating Graph – Without Heatsink



#### Example (Without Heatsink)

To determine the minimum airflow necessary for a QHL600300S12 operating at an input voltage of 300 V, an output current of 25 A, and a maximum ambient temperature of 40°C:

Determine Power dissipation (Pd):  $Pd = Pi - Po = Po(1-\eta)/\eta,$

$$Pd = 12 V \times 25 A \times (1-0.89)/0.89 = 37.1$$

Where Pi = Input power, Po = Output Power and  $\eta$  = Efficiency

Determine airflow from airflow derating graph using data points for Pd=33.1 W and Ta = 40 °C

Minimum airflow= 600 ft./min.

To check that the maximum case temp of 100 °C is not exceeded:

Maximum temperature rise is  
 $\Delta T = Pd \times Rca = 37.1 \times 1.5 = 55.65^\circ C.$

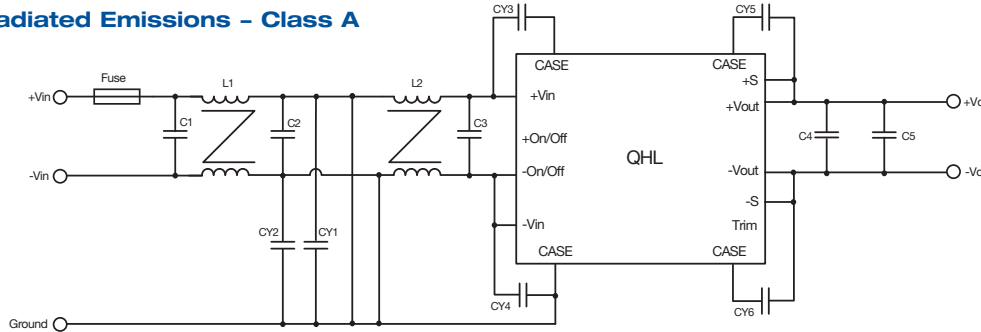
Maximum case temperature is

$$Tc = Ta + \Delta T = 95.65^\circ C < 100^\circ C.$$

Where: Rca is the thermal resistance from case to ambient environment. Ta is ambient temperature and Tc is case temperature.

### Application Notes

#### Conducted and Radiated Emissions - Class A



Model Number	C1	C2	C3	C4	C5	CY1	CY2	CY3	CY4	CY5	CY6	L1	L2
QHL600300Sxx	0.68 $\mu$ F/ 305 V	0.68 $\mu$ F/ 305 V	150 $\mu$ F/ 450 V	820 $\mu$ F/ 63V	1 $\mu$ F/ 100V	3300 pF	3300 pF	4700 pF	4700 pF	2200 pF	3300 pF	4.2 mH	4.2 mH

#### Notes

C1, C2, C3: metallized polypropylene film capacitors

C6: aluminum capacitor

C9, CY1, CY2, CY3, CY4, CY5, CY6: ceramic capacitors.

C1, C2: 0.68  $\mu$ F/305V (FARATRONIC MKP62 Series C42Q2684M6HC000) or equivalent.

C3: 150  $\mu$ F/450V (NIPPON CHEMI-CON KMR Series EKMR451VSN331MR35S) or equivalent.

C4: 820  $\mu$ F/63V (Rubycon ZLH Series 63ZLH820MEFC16X25) or equivalent.

C5: 1  $\mu$ F/100 V SMD 1210 (TDK CGA Series CGA8N2X7R2A105K230KA) or equivalent.

L1, L2:

3.8 mH (VAKOS T25\*15\*13 R8K Series 0.8 mm/20T) or equivalent.

CY1, CY2, CY3, CY4, CY5, CY6, C5:

2200 pF (MURATA KX Series DC1B3KX222MA4BN01F) or equivalent.

3300 pF (MURATA KX Series DC1B3KX332MA4BN01F) or equivalent.

4700 pF (MURATA KX Series DC1B3KX472MA4BN01F) or equivalent.

10000 pF (TDK CS Series CS17-F2GA103MYAS) or equivalent.

VZ1 & VZ2: TVR10471KSV TKS

GT1 & GT2: B5G3000 BENCENT

#### Safety Considerations

The use of a fuse on the input line is recommended for good practice. Additional protection for surges and reverse voltage are also recommended. Transient voltage suppressors and gas discharge devices can be fitted across the input terminals.



Компания «ЭлектроПласт» предлагает заключение долгосрочных отношений при поставках импортных электронных компонентов на взаимовыгодных условиях!

Наши преимущества:

- Оперативные поставки широкого спектра электронных компонентов отечественного и импортного производства напрямую от производителей и с крупнейших мировых складов;
- Поставка более 17-ти миллионов наименований электронных компонентов;
- Поставка сложных, дефицитных, либо снятых с производства позиций;
- Оперативные сроки поставки под заказ (от 5 рабочих дней);
- Экспресс доставка в любую точку России;
- Техническая поддержка проекта, помощь в подборе аналогов, поставка прототипов;
- Система менеджмента качества сертифицирована по Международному стандарту ISO 9001;
- Лицензия ФСБ на осуществление работ с использованием сведений, составляющих государственную тайну;
- Поставка специализированных компонентов (Xilinx, Altera, Analog Devices, Intersil, Interpoint, Microsemi, Aeroflex, Peregrine, Syfer, Eurofarad, Texas Instrument, Miteq, Cobham, E2V, MA-COM, Hittite, Mini-Circuits, General Dynamics и др.);

Помимо этого, одним из направлений компании «ЭлектроПласт» является направление «Источники питания». Мы предлагаем Вам помощь Конструкторского отдела:

- Подбор оптимального решения, техническое обоснование при выборе компонента;
- Подбор аналогов;
- Консультации по применению компонента;
- Поставка образцов и прототипов;
- Техническая поддержка проекта;
- Защита от снятия компонента с производства.



#### Как с нами связаться

**Телефон:** 8 (812) 309 58 32 (многоканальный)

**Факс:** 8 (812) 320-02-42

**Электронная почта:** [org@eplast1.ru](mailto:org@eplast1.ru)

**Адрес:** 198099, г. Санкт-Петербург, ул. Калинина, дом 2, корпус 4, литера А.