

MAXIM

MAX4336 Evaluation Kit

Evaluates: MAX4336/MAX4231

General Description

The MAX4336 evaluation kit (EV kit) is a fully assembled and tested surface-mount circuit board that evaluates the MAX4336 audio amplifier. The MAX4336 EV kit is designed to be directly connected to any mono audio source, such as a CD player. The MAX4336 EV kit includes an RCA jack on the input and a 3.5mm headphone jack on the output to facilitate easy connections to the circuit board.

The MAX4336 EV kit can also be used to evaluate the MAX4231 high-output-drive, Rail-to-Rail[®] op amp.

Features

- ◆ **Capable of Driving a Mono 32Ω Load**
 (P_{OUT} = 60mW, V_{CC} = 5V, THD + N = 1%, R_L = 32Ω, f_{IN} = 1kHz)
 (P_{OUT} = 20mW, V_{CC} = 3V, THD + N = 1%, R_L = 32Ω, f_{IN} = 1kHz)
- ◆ **Single-Supply Operation**
- ◆ **Low 0.1% THD + N (20Hz to 20kHz)**
 (V_{CC} = 5V, P_{OUT} = 40mW, R_L = 32Ω)
 (V_{CC} = 3V, P_{OUT} = 17mW, R_L = 32Ω)
- ◆ **Low-Profile Design (2.0mm, max)**
- ◆ **Fully Assembled and Tested**
- ◆ **On-Board Shutdown**

Ordering Information

PART	TEMP RANGE	IC PACKAGE
MAX4336EVKIT	0°C to +70°C	6 SC70-6

Note: To evaluate the MAX4231, request a MAX4231AXT free sample with the MAX4336EVKIT.

Component List

DESIGNATION	QTY	DESCRIPTION
C1	1	0.47μF ±10%, 20V tantalum capacitor (R-Case) AVX TAJR474M020R
C2	1	100pF ±10% C0G, 50V ceramic capacitor (0402) TDK C1005C0G1H101K
C3	1	0.1μF ±10%, 10V X5R ceramic capacitor (0402) TDK C1005X5R1A104K
C4	1	1μF ±10%, 10V X5R ceramic capacitor (0603) TDK C1608X5R1A105K
C5, C7	2	220μF ±10%, 10V tantalum capacitors (Y-CASE) AVX TPSY227M010R0200 or Sprague 592D227X0010V2T

DESIGNATION	QTY	DESCRIPTION
C6	0	Through-hole capacitor (not installed)
J1	1	Phono jack (side-entry PC board mount) black
J2	1	Stereo headphone jack (3.5mm dia)
JU1, JU2	2	2-pin headers
R1	1	22.1kΩ ±1% resistor (0603)
R2	1	47.5kΩ ±1% resistor (0603)
R3, R4, R5, R7	4	100kΩ ±5% resistors (0603)
R6	1	Through-hole resistor (not installed)
U1	1	MAX4336EXT, 6-pin SC70
None	2	Shunts
None	1	MAX4336 EV kit PC board
None	1	MAX4335–MAX4338 data sheet

Rail-to-Rail is a registered trademark of Nippon Motorola, Ltd.



Maxim Integrated Products 1

For pricing, delivery, and ordering information, please contact Maxim/Dallas Direct! at 1-888-629-4642, or visit Maxim's website at www.maxim-ic.com.

MAX4336 Evaluation Kit

Component Suppliers

SUPPLIER	PHONE	FAX	WEBSITE
AVX	843-946-0238	843-626-3123	www.avxcorp.com
Sprague	402-563-6866	402-563-6296	www.vishay.com
TDK	847-803-6100	847-390-4405	www.component.tdk.com

Note: Please indicate that you are using the MAX4336 when contacting these component suppliers.

Quick Start

Required Equipment:

- One pair of 32Ω headphones
- One variable DC power supply capable of supplying between 2.7V and 5V at 100mA
- One mono audio source

The MAX4336 EV kit is fully assembled and tested. Follow the steps below to verify board operation. **Do not turn on the power supply until all connections are completed:**

- 1) Plug the headphones into the 3.5mm headphone jack.
- 2) Ensure that the audio source is turned off.
- 3) Connect the disabled audio source using the single RCA phono jack.
- 4) Ensure that the shunts are in the following positions:
JU1: not installed
JU2: not installed
- 5) Connect the 2.7V to 5V DC power supply to the VCC and GND pads.
- 6) Turn on the 2.7V to 5V DC power supply.
- 7) Turn on the audio source.

Detailed Description

The MAX4336 EV kit is a mono, single-supply audio amplifier designed to be directly connected to any mono audio source, such as a CD player. The input impedance is 22.1kΩ. The -3dB corner frequencies are approximately 30Hz and 34kHz with a 32Ω load. The MAX4336 EV kit has a fixed gain of approximately 2.1. An input signal of 700mVRMS, while using a 5V supply, produces a full-range output with a 32Ω load. An input signal of 400mVRMS, while using a 3V supply, produces a full-range output with a 32Ω load.

Shutdown Control

The MAX4336 EV kit provides a SHDN pin to disable the output. Table 1 lists the options available for shutdown control jumper JU1. An external controller can be used by removing the shunt on JU1 completely and connecting the external controller to the pad labeled SHDN. SHDN is a TTL/CMOS logic-level input (see Table 1 for shunt positions).

Table 1. Shutdown Jumper Table

JUMPER	SHUNT POSITION	FUNCTION
JU1	Installed	Shutdown mode enabled
	Not installed	Shutdown mode disabled

Shutdown Current Measurement

The MAX4336 EV kit has an active-low shutdown and uses a pullup resistor (R5) to activate this shutdown. Any shutdown current measurements should take into account the current being drawn through R5, as well as the current drawn through the bias resistors R3 and R4. This current can be calculated using the following equation:

$$I_{\text{SUPPLY}} = I_{\text{RES}} + I_{\text{MAX4336}}$$

$$I_{\text{RES}} = \frac{V_{\text{CC}}}{R5} + \frac{V_{\text{CC}}}{R3 + R4}$$

The maximum shutdown current of the MAX4336 is 0.5μA.

Output Capacitor Jumper Selection

Jumper JU2 removes the output DC-blocking capacitor (C5) from the circuit. Inserting JU2 produces an output with a DC component equal to midrail (VCC/2) and changes the -3dB highpass corner frequency of 30Hz (see Table 2 for shunt positions).

MAX4336 Evaluation Kit

Evaluates: MAX4336/MAX4231

Table 2. DC-Blocking Capacitor Jumper

JUMPER	SHUNT POSITION	FUNCTION
JU2	Installed	C5 removed from circuit
	Not Installed	C5 remains in circuit

Through-Hole Components

The MAX4336 EV kit also provides pads for the user to solder up to two through-hole components onto the PC board (R6 and C6). This allows access for the user to test the op amp's capacitive- and resistive-load driving capabilities, without having to access the output of the op amp through the headphone jack.

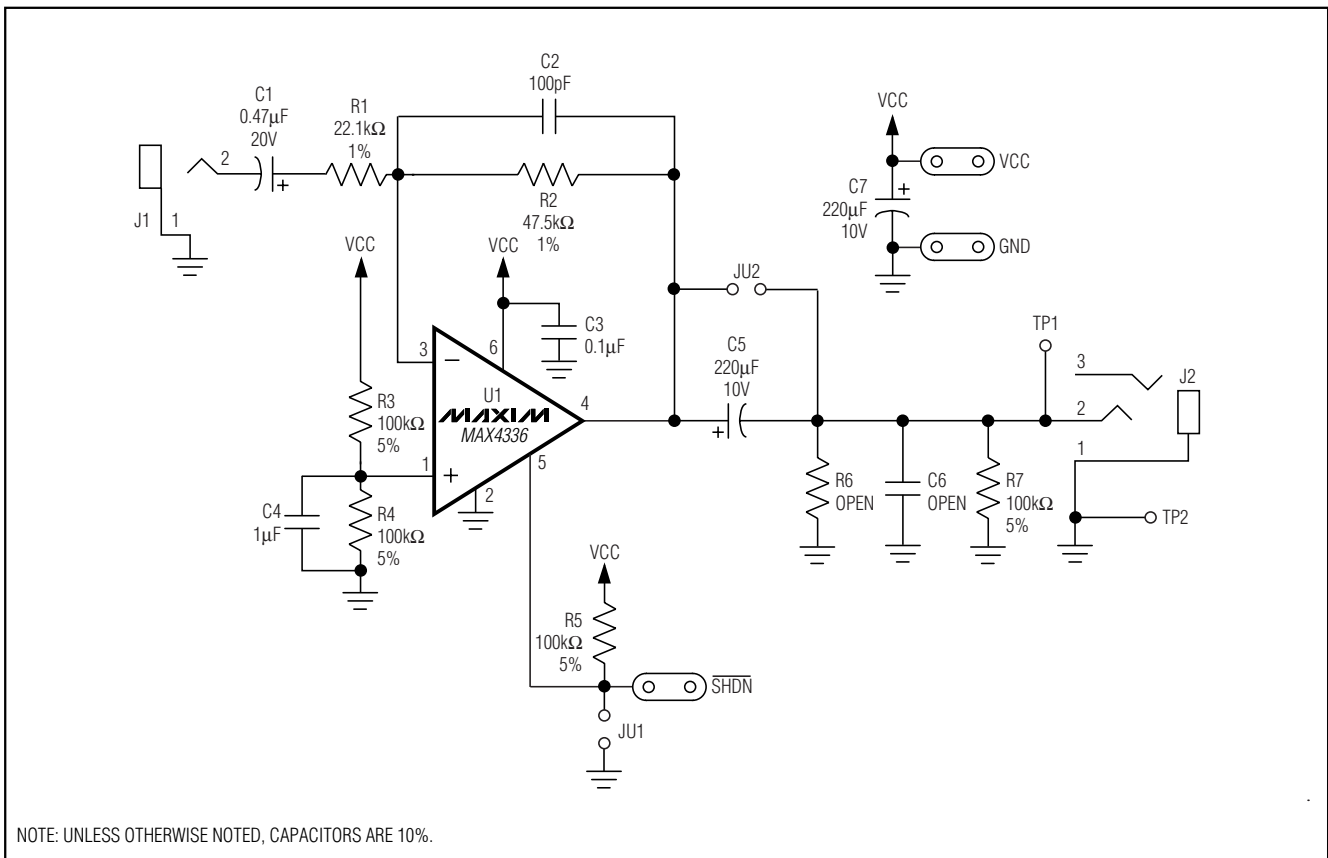


Figure 1. MAX4336 EV Kit Schematic

MAX4336 Evaluation Kit

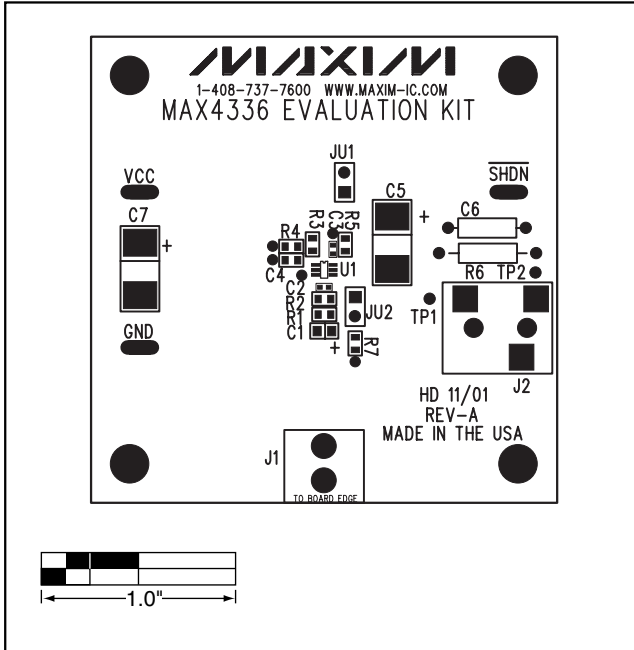


Figure 2. MAX4336 EV Kit Component Placement Guide—Component Side

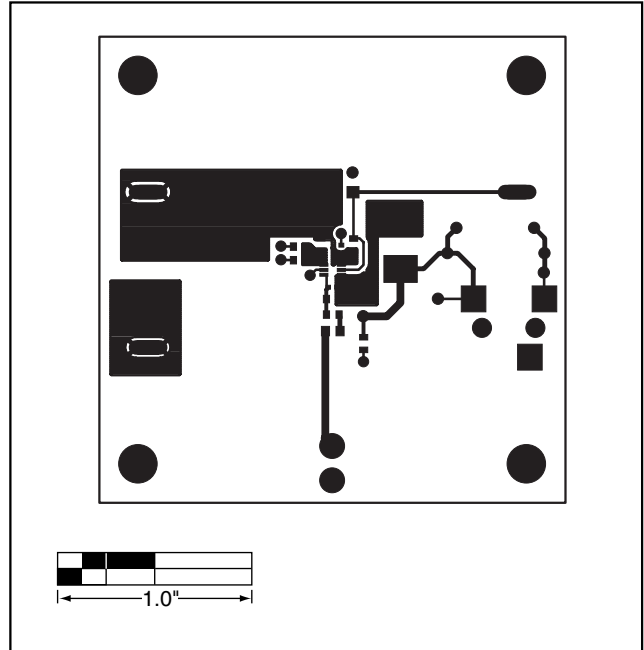


Figure 3. MAX4336 EV Kit PC Board Layout—Component Side

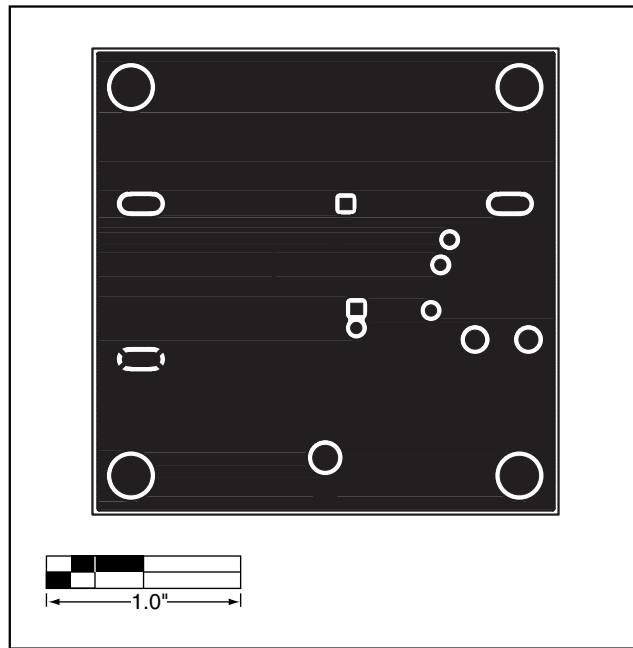


Figure 4. MAX4336 EV Kit PC Board Layout—Solder Side

Maxim cannot assume responsibility for use of any circuitry other than circuitry entirely embodied in a Maxim product. No circuit patent licenses are implied. Maxim reserves the right to change the circuitry and specifications without notice at any time.

4 _____ **Maxim Integrated Products, 120 San Gabriel Drive, Sunnyvale, CA 94086 408-737-7600**



Компания «ЭлектроПласт» предлагает заключение долгосрочных отношений при поставках импортных электронных компонентов на взаимовыгодных условиях!

Наши преимущества:

- Оперативные поставки широкого спектра электронных компонентов отечественного и импортного производства напрямую от производителей и с крупнейших мировых складов;
- Поставка более 17-ти миллионов наименований электронных компонентов;
- Поставка сложных, дефицитных, либо снятых с производства позиций;
- Оперативные сроки поставки под заказ (от 5 рабочих дней);
- Экспресс доставка в любую точку России;
- Техническая поддержка проекта, помощь в подборе аналогов, поставка прототипов;
- Система менеджмента качества сертифицирована по Международному стандарту ISO 9001;
- Лицензия ФСБ на осуществление работ с использованием сведений, составляющих государственную тайну;
- Поставка специализированных компонентов (Xilinx, Altera, Analog Devices, Intersil, Interpoint, Microsemi, Aeroflex, Peregrine, Syfer, Eurofarad, Texas Instrument, Miteq, Cobham, E2V, MA-COM, Hittite, Mini-Circuits, General Dynamics и др.);

Помимо этого, одним из направлений компании «ЭлектроПласт» является направление «Источники питания». Мы предлагаем Вам помощь Конструкторского отдела:

- Подбор оптимального решения, техническое обоснование при выборе компонента;
- Подбор аналогов;
- Консультации по применению компонента;
- Поставка образцов и прототипов;
- Техническая поддержка проекта;
- Защита от снятия компонента с производства.



Как с нами связаться

Телефон: 8 (812) 309 58 32 (многоканальный)

Факс: 8 (812) 320-02-42

Электронная почта: org@eplast1.ru

Адрес: 198099, г. Санкт-Петербург, ул. Калинина, дом 2, корпус 4, литера А.