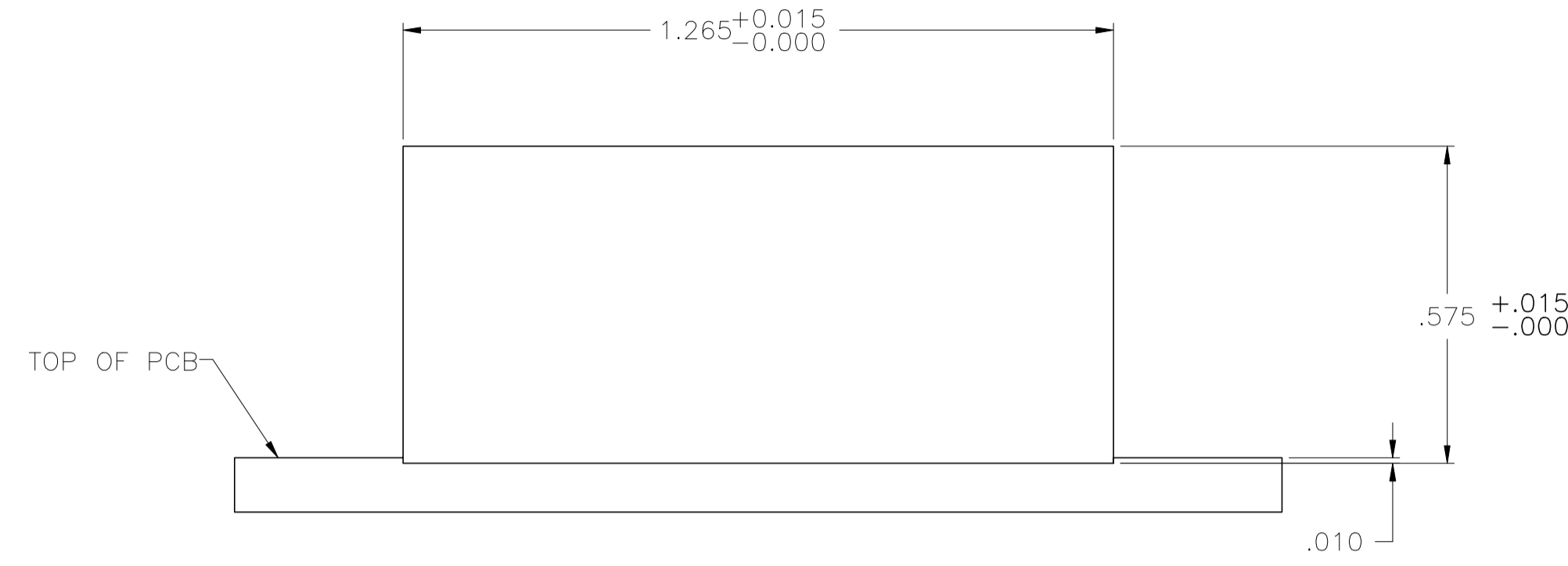
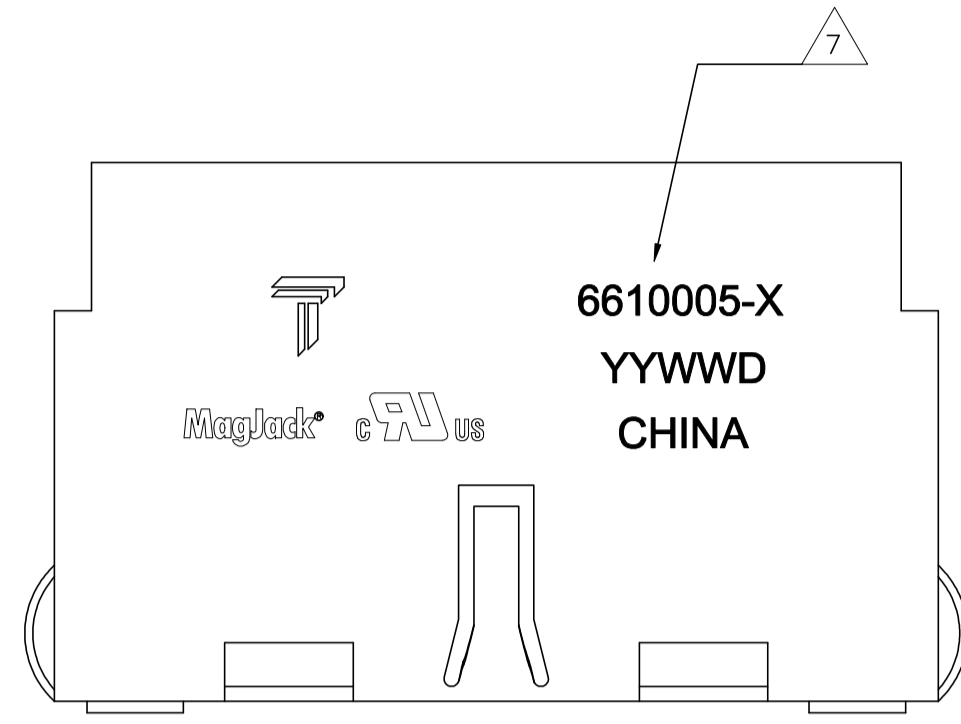


THIS DRAWING AND THE SUBJECT MATTER SHOWN THEREON ARE CONFIDENTIAL AND THE PROPERTY OF BEL/STEWART/TRP CONNECTOR AND SHALL NOT BE REPRODUCED, COPIED, OR USED IN ANY MANNER WITHOUT THE WRITTEN CONSENT OF TRP CONNECTOR.

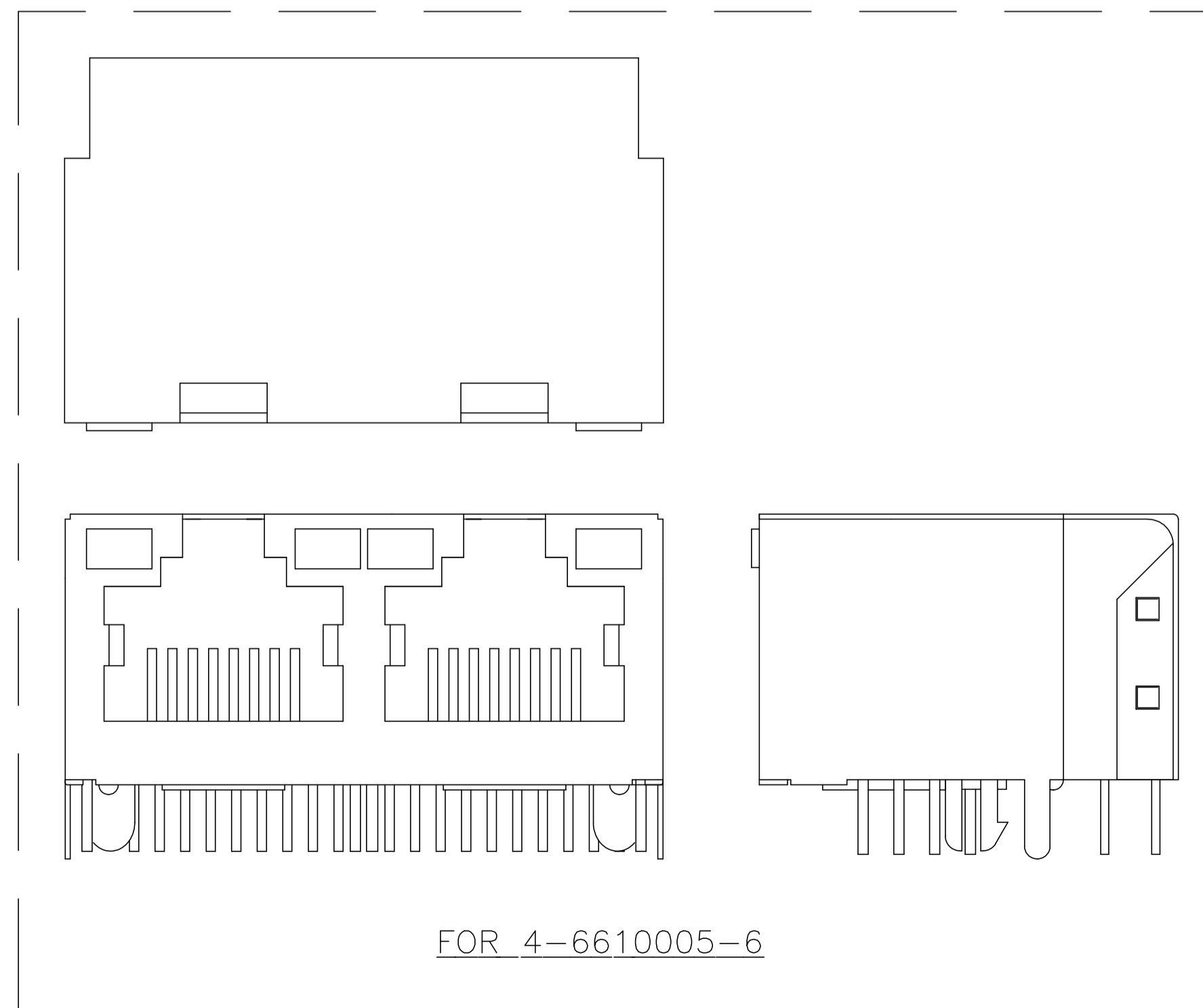
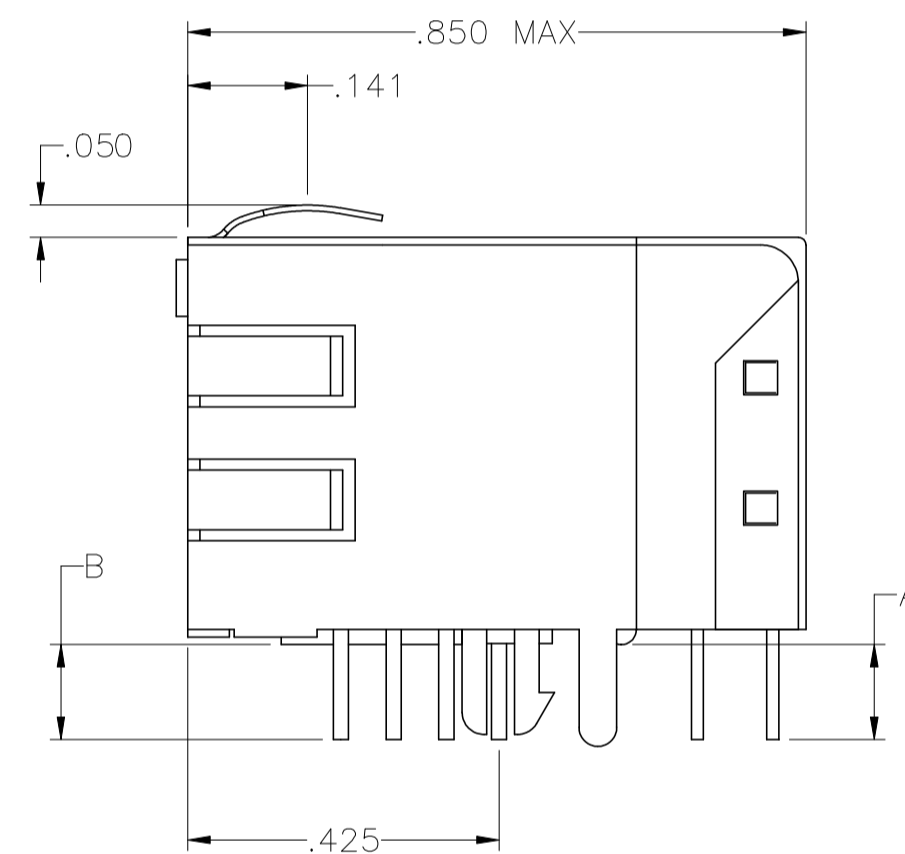
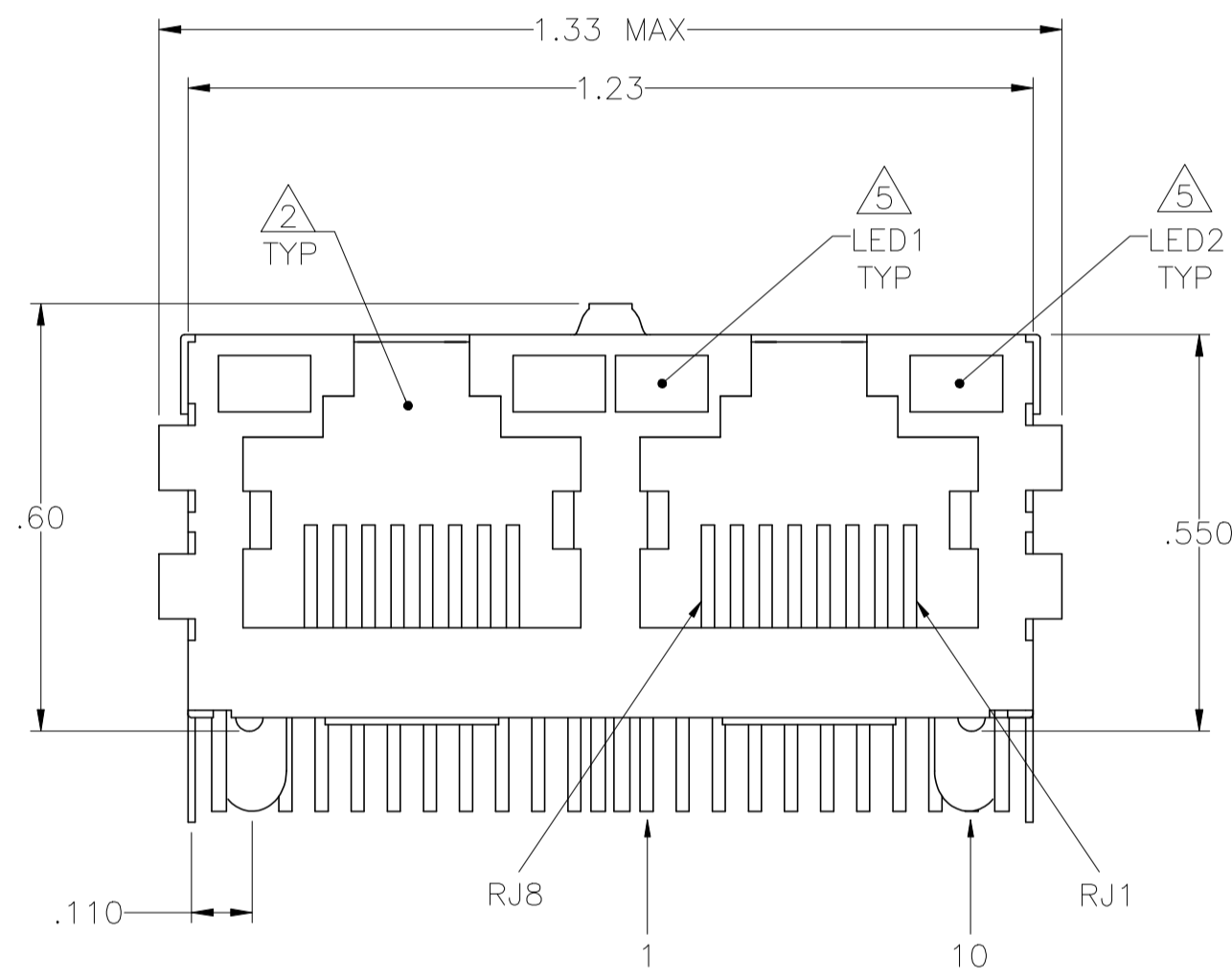
PRODUCT MAY BE PROTECTED BY ONE OR MORE OF THE FOLLOWING US PATENTS:
 5736910 5939955 6425781 6428361 6554638 6840817 7123117
 7429195 7717749 7808751 6217391 6149050 7924130

REVISIONS					
P	LYR	DESCRIPTION	DATE	DWN	APVD
S		EC-1411035 COMPANY LOGO CHANGE	12JAN2015	HY	KZ

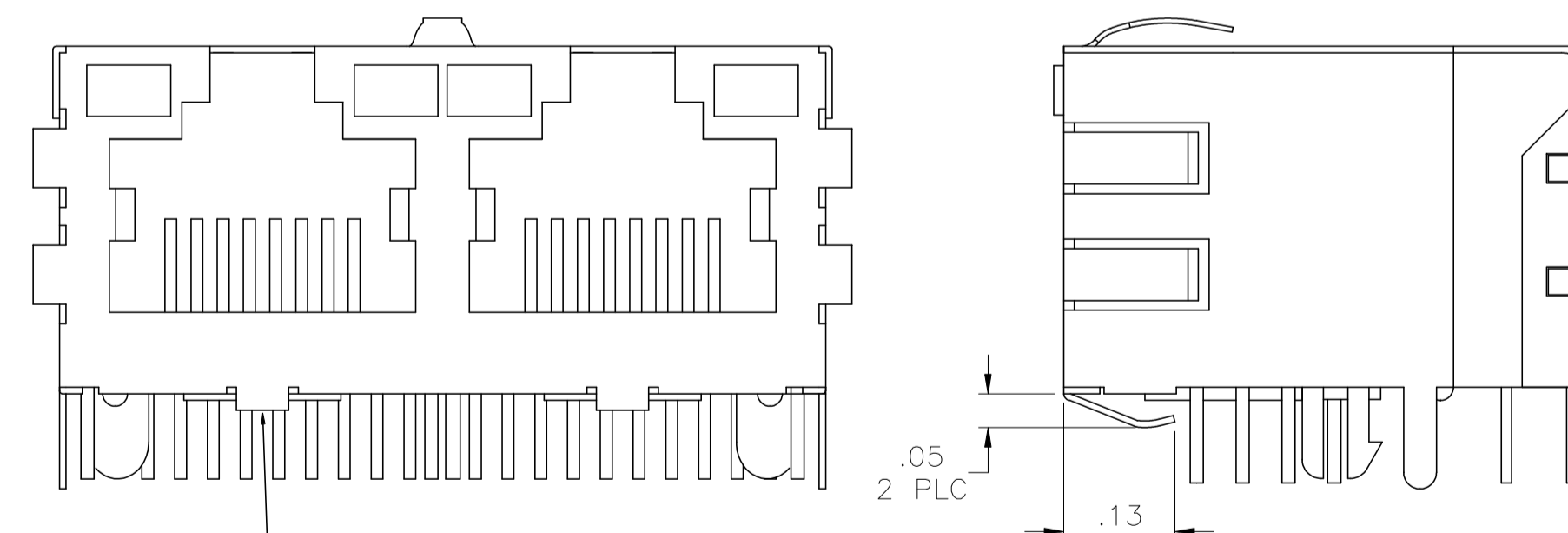
MECHANICAL:



1X2 SUGGESTED PANEL CUTOUT



FOR 4-6610005-6



BOTTOM TABS
 2 PLC
 FOR 5-6610005-6, 2-6610005-2 & 6610005-1

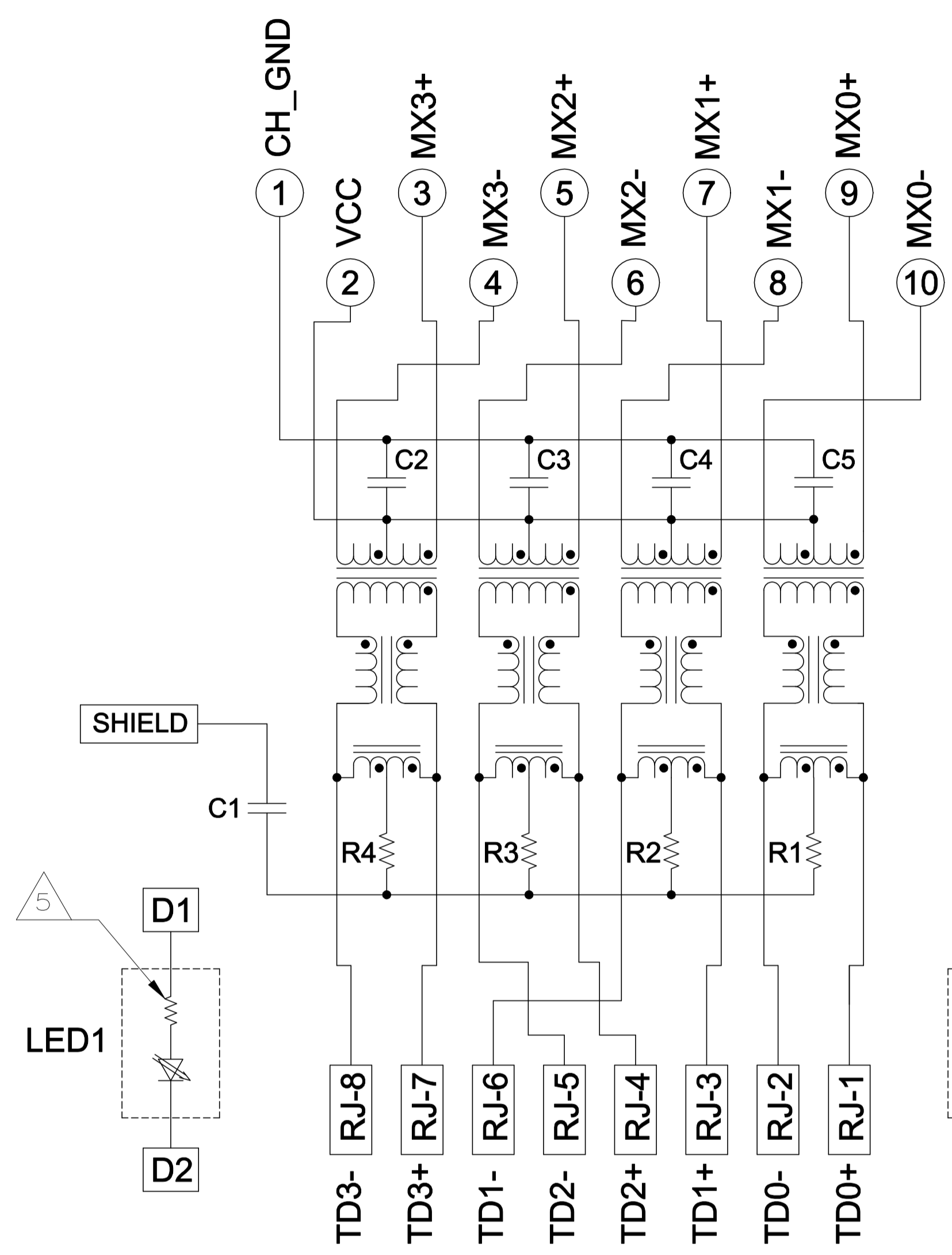
- △ MATERIALS:
 HOUSING - THERMOPLASTIC PET POLYESTER FLAMMABILITY RATING UL 94V-0
 ONLY FOR 3-6610005-5: HIGH TEMPERATURE NYLON, BLACK, UL 94V-0
 SHIELD - .010" THICK, C26800 BRASS PREPLATED WITH 30µ inch MIN SEMI-BRIGHT NICKEL, SOLDER TAB POSTS DIPPED WITH 100µ inch MIN SAC SOLDER
 MOD JACK CONTACTS - .0157" x .018", PHOSPHOR BRONZE, 50µ inch MIN OVERALL NICKEL UNDERPLATE, WITH SELECT 50µ inch MIN HARD GOLD FINISH PLATE. SOLDER TAILS WITH 100µ inch MIN MATTE TIN AND/OR SAC SOLDER DIP.
 LIGHT EMITTING DIODE(LED) - DIFFUSED EPOXY LENS, .020" x .020" CARBON STEEL WIREFRAME LEADS PREPLATED WITH 80µ inch SILVER OVER 40µ inch NICKEL UNDERPLATE OVER 40µ inch COPPER UNDERPLATE, POST-PLATED WITH 100µ inch MIN MATTE TIN AND/OR SAC SOLDER DIP OR PURE TIN SOLDER DIP.
- △ RJ45 JACK CAVITY CONFORMS TO FCC RULES AND REGULATIONS PART 68, SUB PART F.
- △ MAGNETICS:
 -APPLICATION: 10/100/1000 BASE-T
 -IMPEDANCE: 100 OHMS
 -TURNS RATIO (CHIP CABLE): 1:1 ALL FOUR PAIRS
 -OPEN CIRCUIT INDUCTANCE (OCL): 350µH MIN @100kHz, 0.1VRMS, 8mADC BIAS FROM 0°C TO 70°C, ALL FOUR PAIRS
 -ALL FOUR PAIRS BI-DIRECTIONAL
 -PERFORMANCE @ 25°C:
 INSERTION LOSS (IL): 1.1dB MAX FROM 0.5MHz TO 100MHz
 RETURN LOSS (RL): 18dB MIN FROM 0.5MHz TO 4.0MHz
 12-20LOG(f/80)dB MIN FROM 4.0MHz TO 100MHz
 CROSSTALK ATTENUATION: 35dB MIN FROM 0.5MHz TO 4.0MHz
 33-20LOG(f/50)dB MIN FROM 4.0MHz TO 100MHz
 COMMON MODE REJECTION RATIO(CMRR): 30dBMIN FROM 0.5MHz TO 100MHz
 -ISOLATION VOLTAGE: THE CONNECTOR SHALL PROVIDE DC ISOLATION USING 2250VDC (MAX) FOR 60 SECONDS WITH A RISE TIME OF 500 V/SEC AND WITH ALL PORTS CONNECTED.

- △ ALL DIMENSIONS NOMINAL UNLESS OTHERWISE NOTED.
- △ THE 250 OHM RESISTOR IS OPTIONAL, PLEASE SEE CHART FOR PRESENCE OR ABSENCE OF LED RESISTORS.
 IF LEDS WITHOUT 250 OHM RESISTOR, LEDS ARE DRIVEN WITH CONSTANT CURRENT AT APPROX 20 mA
 LED COLOR: DOMINANT WAVELENGTH (λ D): GREEN 568 nm TYP @ IF=20 mA
 FORWARD VOLTAGE (VF): GREEN 2.2V TYP @ IF=20 mA
 DOMINANT WAVELENGTH (λ D): YELLOW 588 nm TYP @ IF=20 mA
 FORWARD VOLTAGE (VF): YELLOW 2.1V TYP @ IF=20 mA
 IF LEDS WITH BUILT-IN RESISTOR, LEDS ARE DRIVEN WITH 5V VOLTAGE AND THE MAX OPERATING CURRENT IS 20mA.
 LED COLOR: DOMINANT WAVELENGTH (λ D): GREEN 568 nm TYP @ VF=5V
 FORWARD CURRENT (IF): GREEN 12mA TYP @ VF=5V
 DOMINANT WAVELENGTH (λ D): YELLOW 588 nm TYP @ VF=5V
 FORWARD CURRENT (IF): YELLOW 13mA TYP @ VF=5V
- △ INDICATED MAGNETIC CONNECTIONS ARE SYMMETRICAL TO ACCOMMODATE CONNECTIONS FOR EITHER NIC OR HUB CONFIGURATION, OR SUPPORT AUTO-MDI/MDIX.
- △ TRP CONNECTOR LOGO, PART NUMBER, DATE CODE, COUNTRY OF ORIGIN AND AGENCY APPROVAL MARKING IN APPROXIMATE LOCATION SHOWN.
- 8. THESE PARTS ARE RECOMMENDED FOR WAVE SOLDERING PROCESS, PREHEAT TEMPERATURE IS 120°C TO 160°C, 120 SECONDS TO 180 SECONDS, PEAK WAVE SOLDERING TEMPERATURE IS 260°C MAX (275°C MAX ONLY FOR 3-6610005-5), 10 SECONDS MAX.
- 9. OPERATING TEMPERATURE: FROM 0°C TO +70°C.

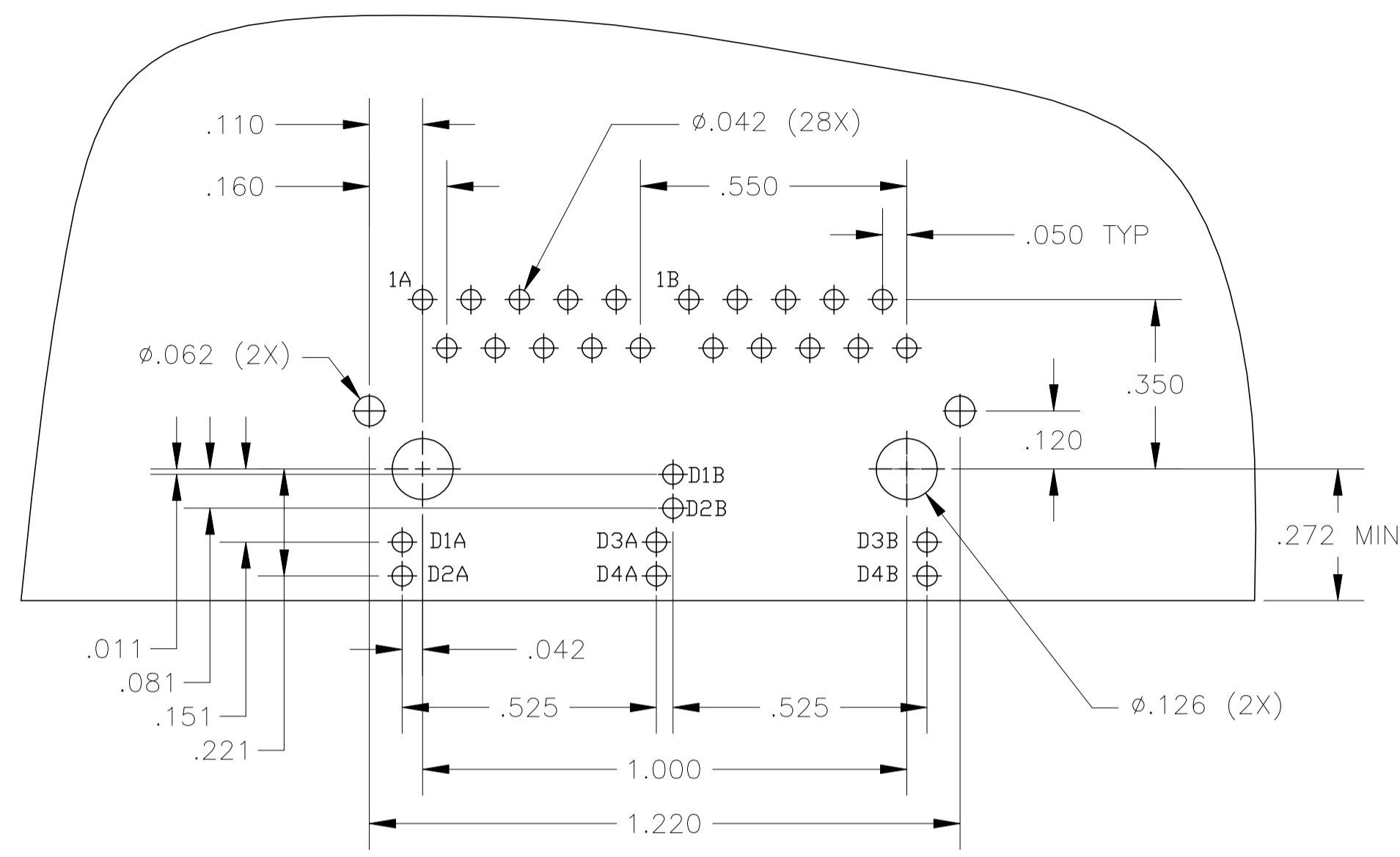
YES	.081	.081	NO	GREEN/YELLOW	NO	GREEN/YELLOW	NO	6-6610005-6
YES	.145	.145	YES	GREEN/YELLOW	NO	GREEN/YELLOW	NO	5-6610005-6
NO	.145	.145	NO	GREEN/YELLOW	NO	GREEN/YELLOW	NO	4-6610005-6
YES	.110	.145	NO	GREEN	YES	GREEN/YELLOW	NO	4-6610005-5
YES	.100	.100	NO	GREEN/YELLOW	NO	GREEN	NO	3-6610005-5
YES	.125	.125	NO	GREEN/YELLOW	NO	GREEN	NO	2-6610005-5
YES	.125	.125	NO	GREEN/YELLOW	NO	GREEN	YES	2-6610005-4
YES	.145	.145	YES	YELLOW	YES	GREEN	YES	2-6610005-2
YES	.145	.145	NO	GREEN	YES	GREEN/YELLOW	NO	1-6610005-5
YES	.145	.145	NO	GREEN	YES	GREEN	YES	1-6610005-1
YES	.145	.145	NO	GREEN/YELLOW	NO	GREEN/YELLOW	NO	6610005-6
YES	.145	.145	NO	GREEN/YELLOW	NO	GREEN	YES	6610005-4
YES	.145	.145	NO	YELLOW	YES	GREEN	YES	6610005-2
YES	.145	.145	YES	GREEN	YES	YELLOW	YES	6610005-1

THIS DRAWING IS A CONTROLLED DOCUMENT.		DWN: R.GRZYBOWSKI 13JAN05		CHK: D.FAROLE 13JAN05		APVD: D.FAROLE 13JAN05		D.FAROLE		MODEL NAME		DESC: 1X2 7G05 GIGABIT TAB UP W/ LED		RESTRICTED TO	
DIMENSIONS: INCHES		TOLERANCES UNLESS OTHERWISE SPECIFIED:		MAGJACK GANG		NON-POE		SIZE: A1		CAGE CODE: C-6610005		DRAWING NO: C-6610005		REV: S	
0 PLC ± -		1 PLC ± -		2 PLC ± .010		3 PLC ± .005		4 PLC ± -		ANGLES ± -		SCALE: 4:1		SHEET 1 OF 2	
PRODUCT SPEC: 108-2100		APPLICATION SPEC: -		CUSTOMER DRAWING		SCALE: 4:1		SHEET 1 OF 2		REV: S		TRP CONNECTOR		DONGGUAN CHINA	

7G05_GIGABIT_SCHEMATIC 3 6

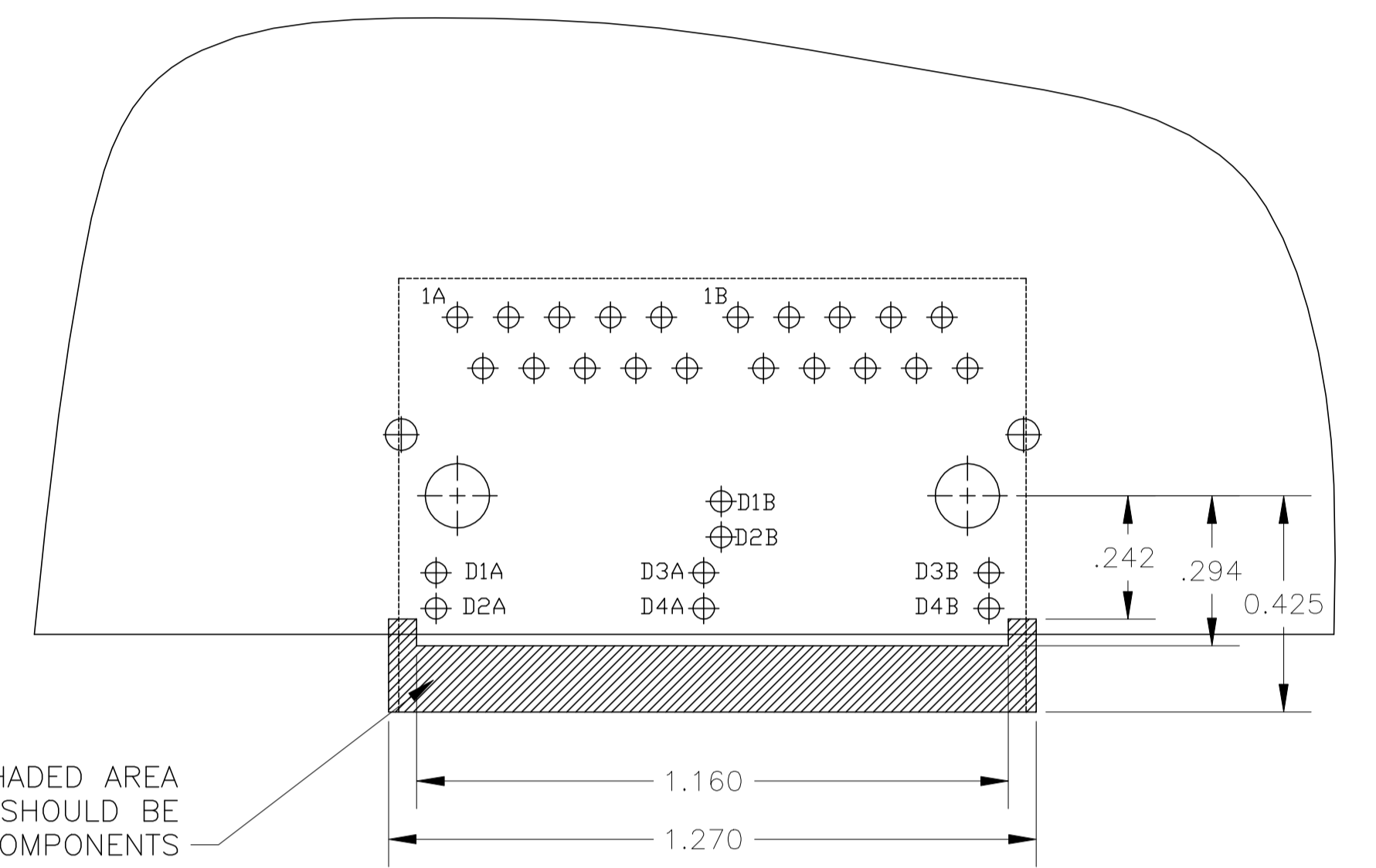


C1 = 1000 pF, 2kV DECOUPLING CAPACITOR
 R1-R4 = 75 OHMS, 1/16 W, 5% RESISTORS
 C2-C5 = 0.1uF, 10%, 50V, X7R CAPACITORS

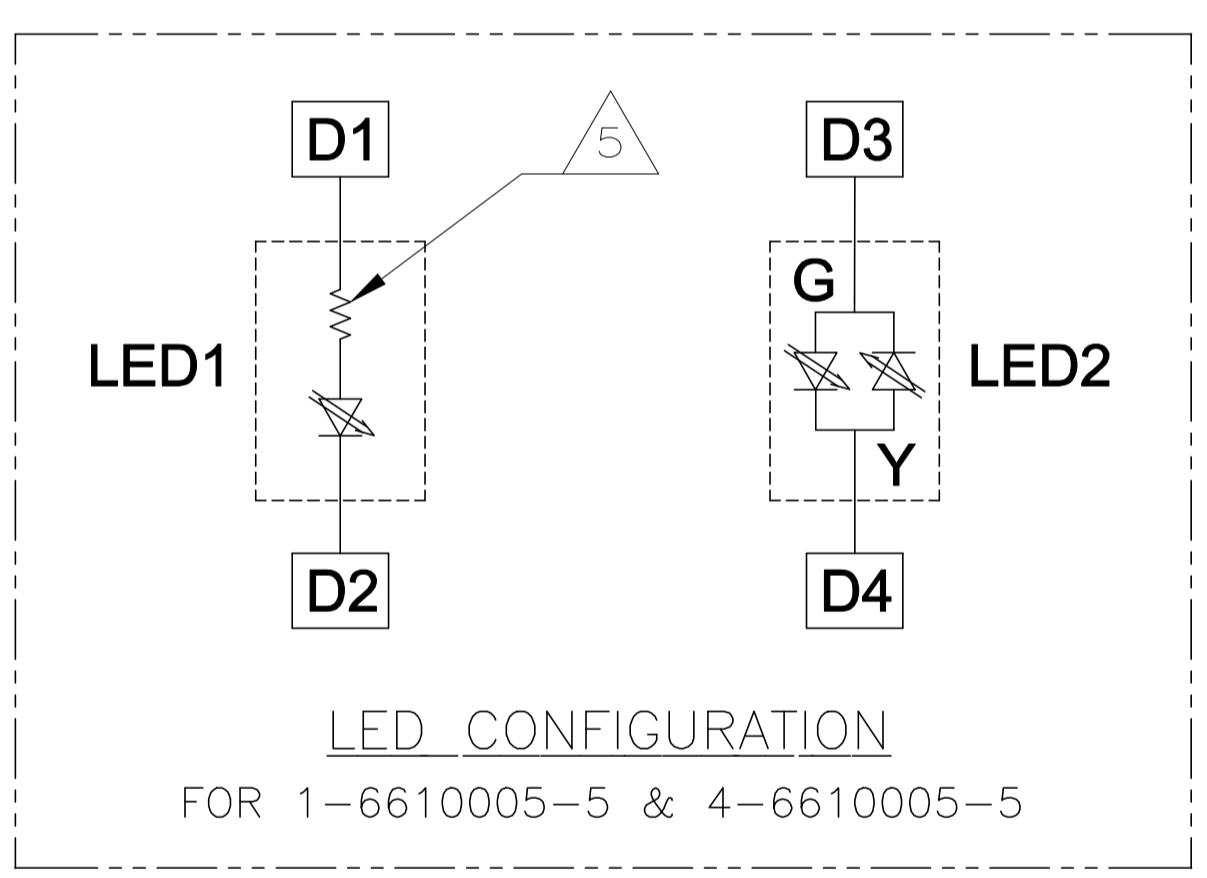


SUGGESTED PCB LAYOUT
(Component Side)

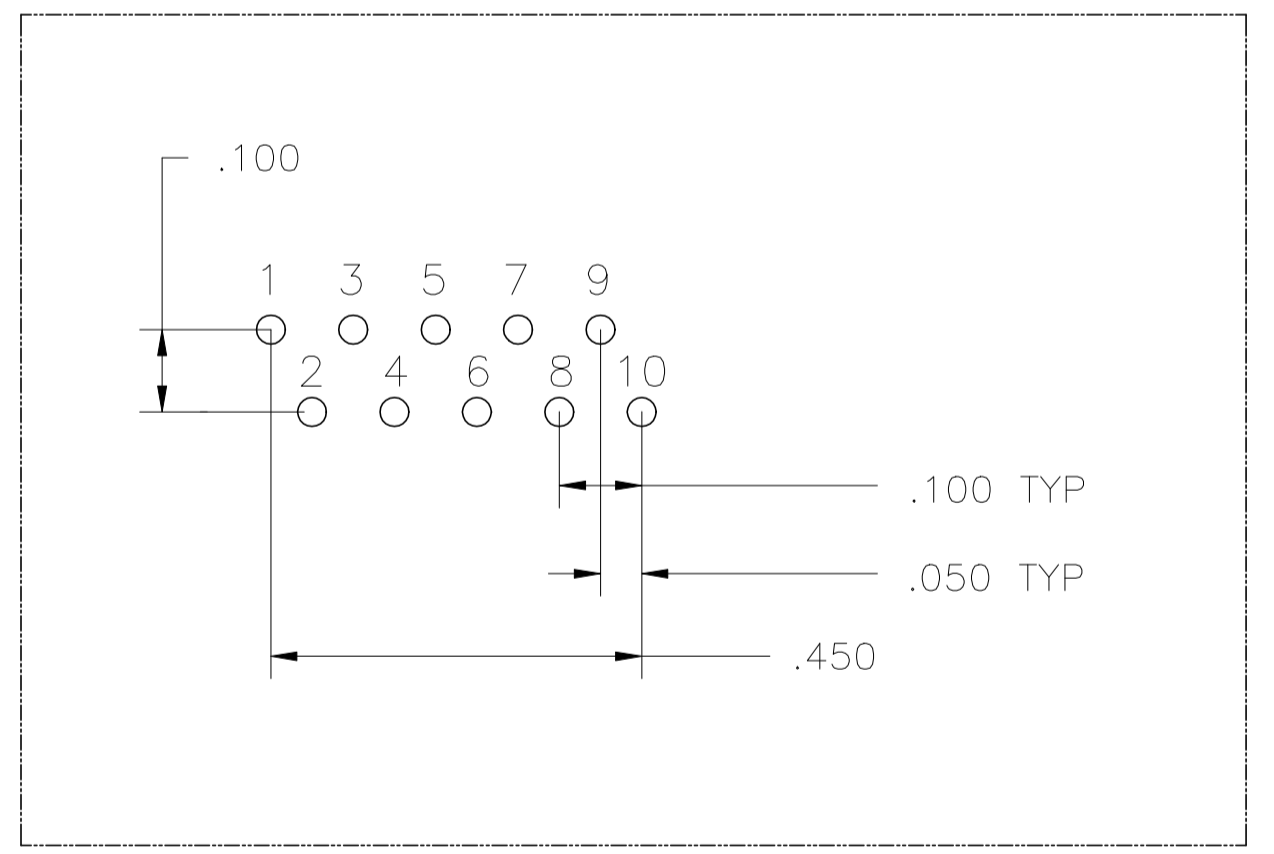
IT IS RECOMMENDED THAT SHADED AREA OF CUSTOMER PC BOARD SHOULD BE CLEAR OF ANY VIA HOLES AND COMPONENTS



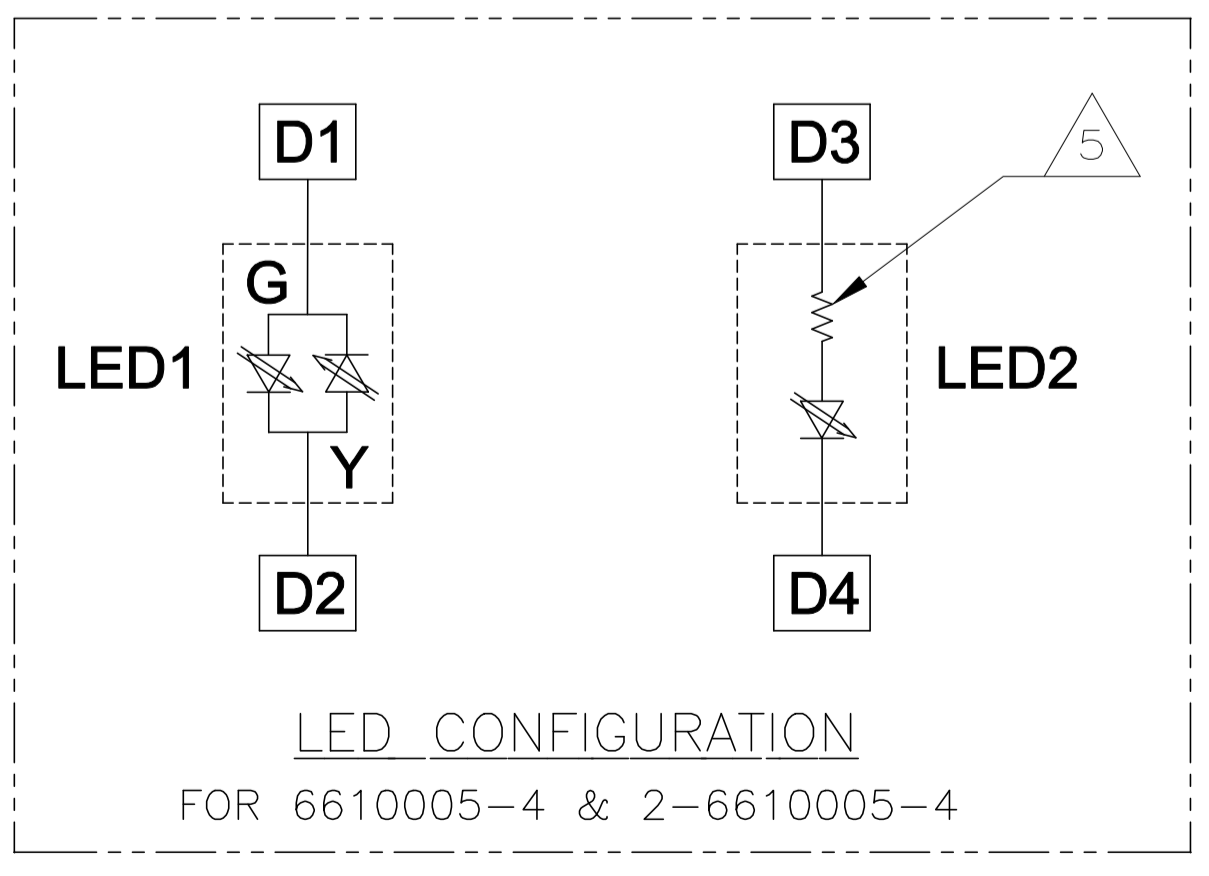
SUGGESTED PCB KEEP OUT AREA
(Component Side)



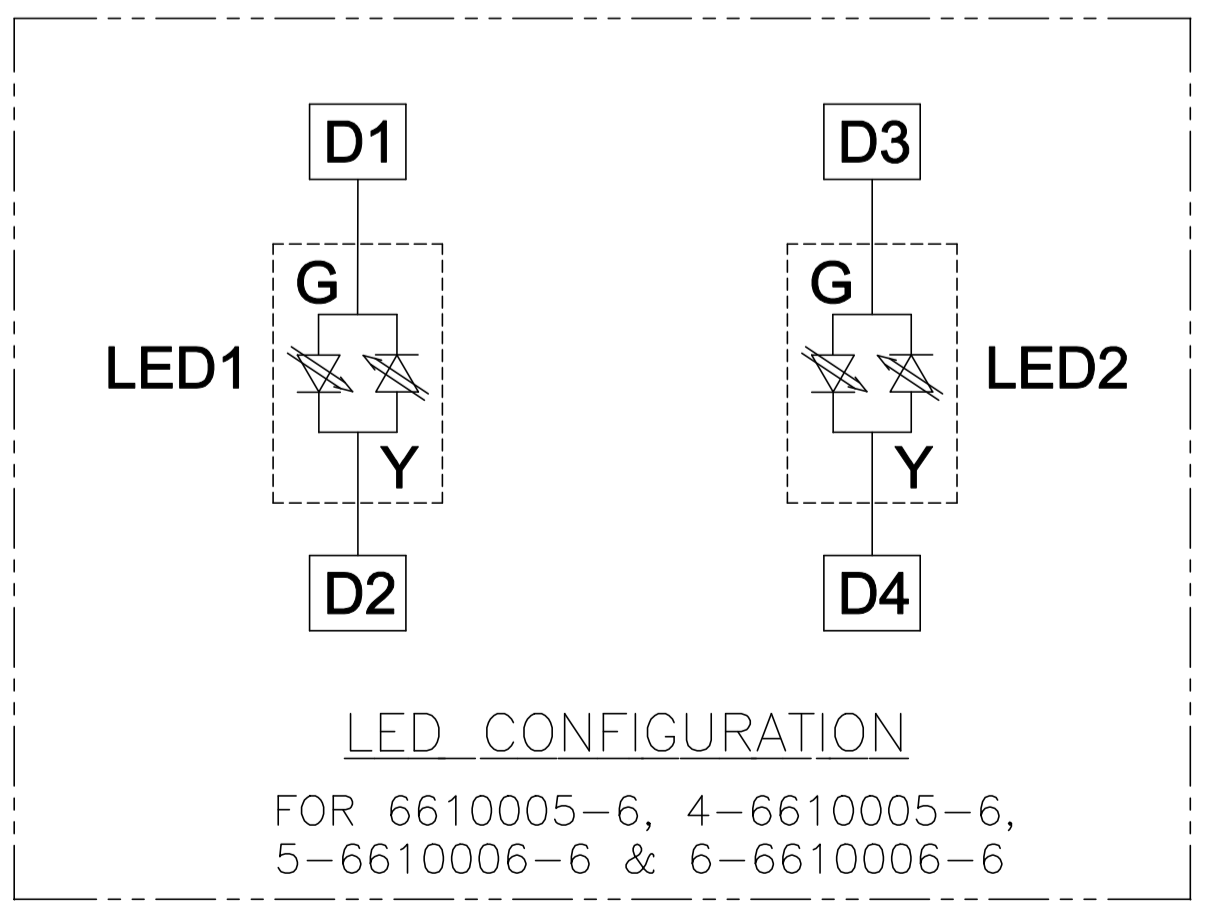
LED CONFIGURATION
FOR 1-6610005-5 & 4-6610005-5



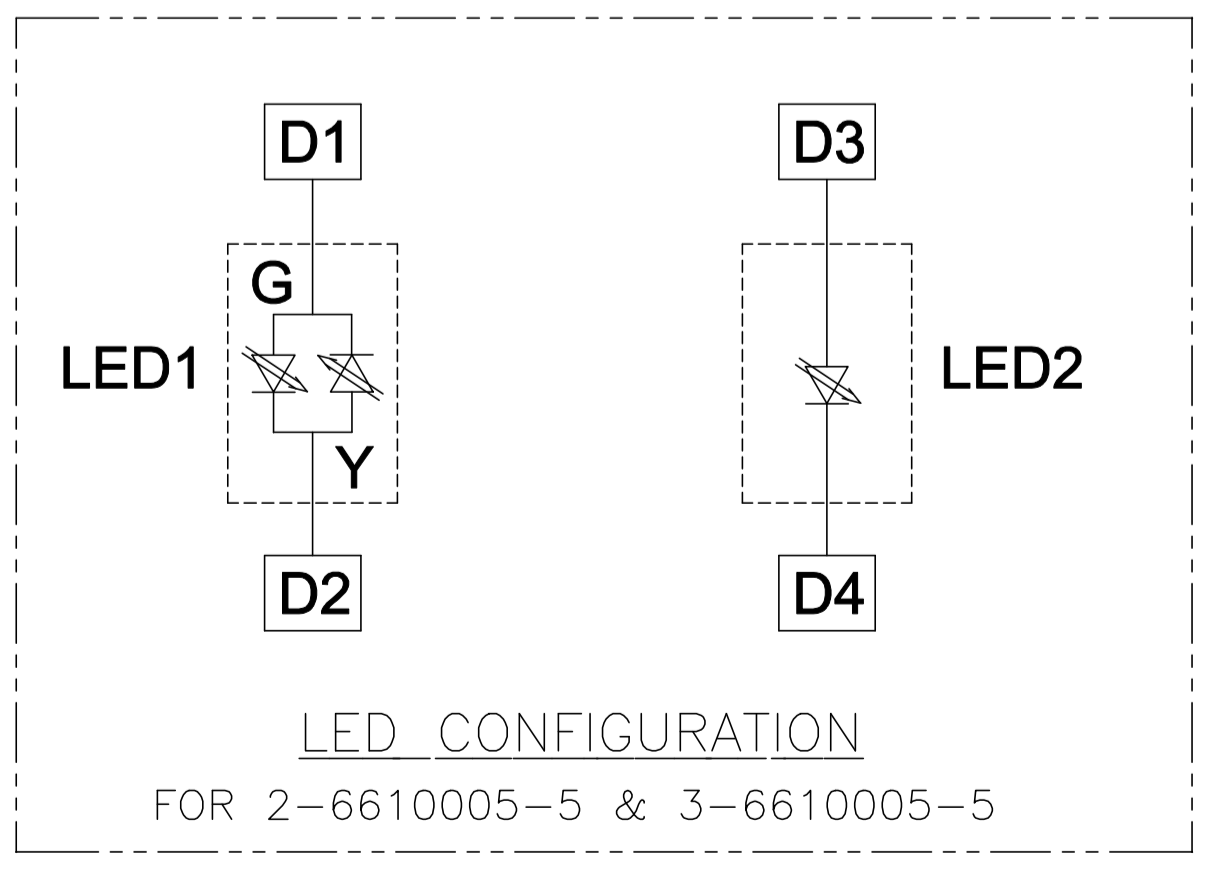
PIN DESIGNATIONS
(APPLIES TO ALL PORTS)



LED CONFIGURATION
FOR 6610005-4 & 2-6610005-4



LED CONFIGURATION
FOR 6610005-6, 4-6610005-6,
5-6610006-6 & 6-6610006-6



LED CONFIGURATION
FOR 2-6610005-5 & 3-6610005-5

THIS DRAWING IS A CONTROLLED DOCUMENT.		DWN: R.GRZYBOWSKI 13JAN05		DONGGUAN CHINA	
DIMENSIONS: INCHES		CHK: D.FAROLE 13JAN05			
0 PLC ± - 1 PLC ± - 2 PLC ± .010 3 PLC ± .005 4 PLC ± - ANGLES ± -		MODEL NAME: MAGJACK GANG APPLICATION SPEC: NON-POE		DESC: 1X2 7G05 GIGABIT TAB UP W/ LED SIZE: A1 CAGE CODE: C=6610005 DRAWING NO: 108-2100	
PRODUCT SPEC: 108-2100		APPLICATION SPEC: -		RESTRICTED TO: - SCALE: 4:1 SHEET: 2 OF 2 REV: S	



Компания «ЭлектроПласт» предлагает заключение долгосрочных отношений при поставках импортных электронных компонентов на взаимовыгодных условиях!

Наши преимущества:

- Оперативные поставки широкого спектра электронных компонентов отечественного и импортного производства напрямую от производителей и с крупнейших мировых складов;
- Поставка более 17-ти миллионов наименований электронных компонентов;
- Поставка сложных, дефицитных, либо снятых с производства позиций;
- Оперативные сроки поставки под заказ (от 5 рабочих дней);
- Экспресс доставка в любую точку России;
- Техническая поддержка проекта, помощь в подборе аналогов, поставка прототипов;
- Система менеджмента качества сертифицирована по Международному стандарту ISO 9001;
- Лицензия ФСБ на осуществление работ с использованием сведений, составляющих государственную тайну;
- Поставка специализированных компонентов (Xilinx, Altera, Analog Devices, Intersil, Interpoint, Microsemi, Aeroflex, Peregrine, Syfer, Eurofarad, Texas Instrument, Miteq, Cobham, E2V, MA-COM, Hittite, Mini-Circuits, General Dynamics и др.);

Помимо этого, одним из направлений компании «ЭлектроПласт» является направление «Источники питания». Мы предлагаем Вам помощь Конструкторского отдела:

- Подбор оптимального решения, техническое обоснование при выборе компонента;
- Подбор аналогов;
- Консультации по применению компонента;
- Поставка образцов и прототипов;
- Техническая поддержка проекта;
- Защита от снятия компонента с производства.



Как с нами связаться

Телефон: 8 (812) 309 58 32 (многоканальный)

Факс: 8 (812) 320-02-42

Электронная почта: org@eplast1.ru

Адрес: 198099, г. Санкт-Петербург, ул. Калинина, дом 2, корпус 4, литера А.