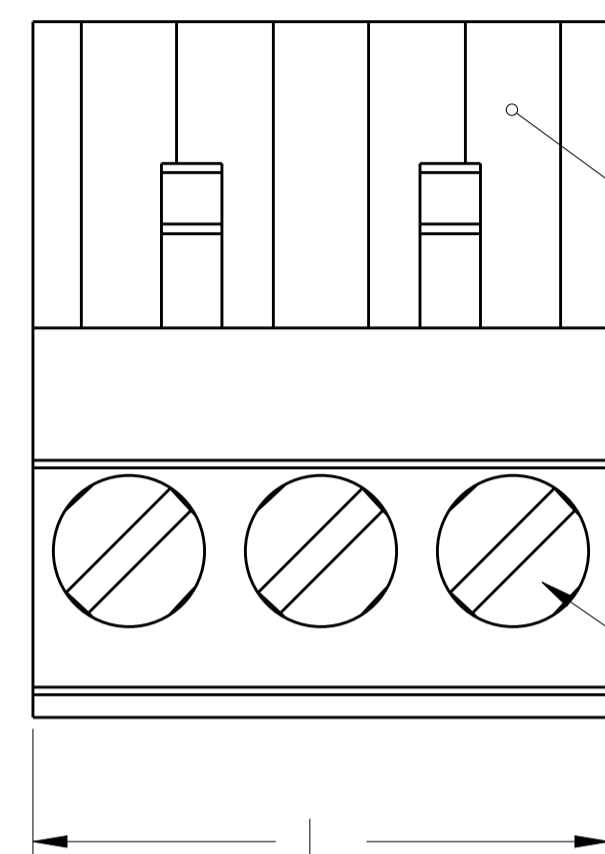
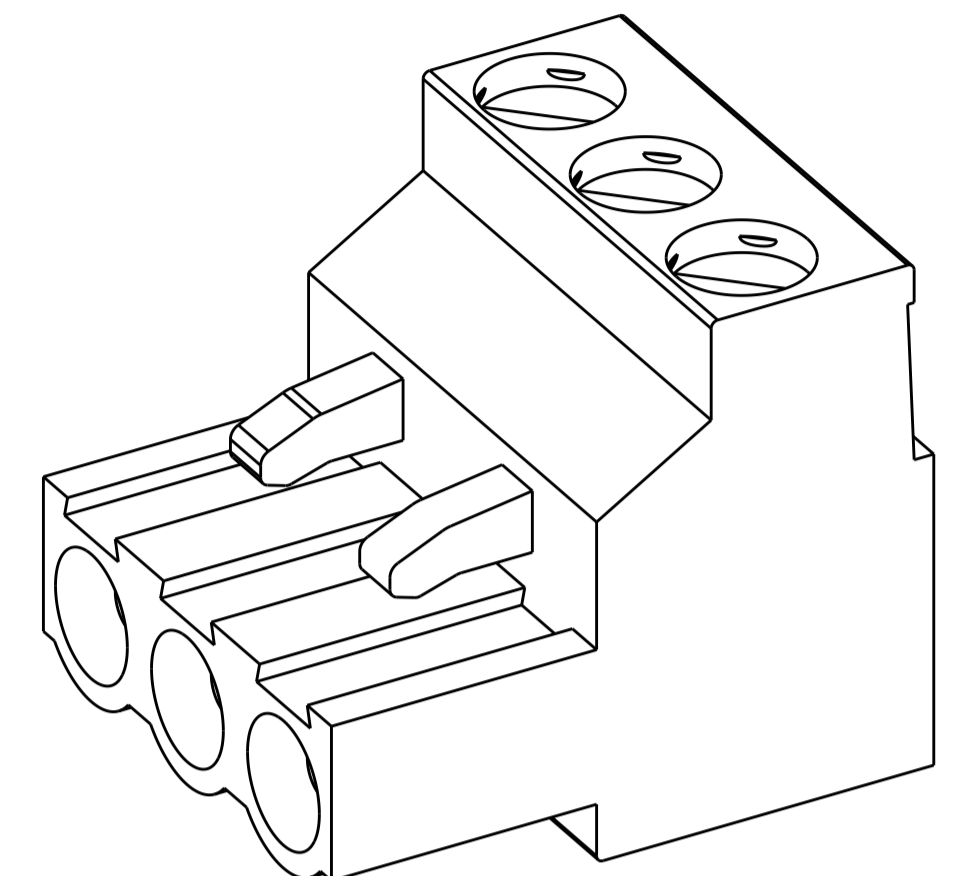


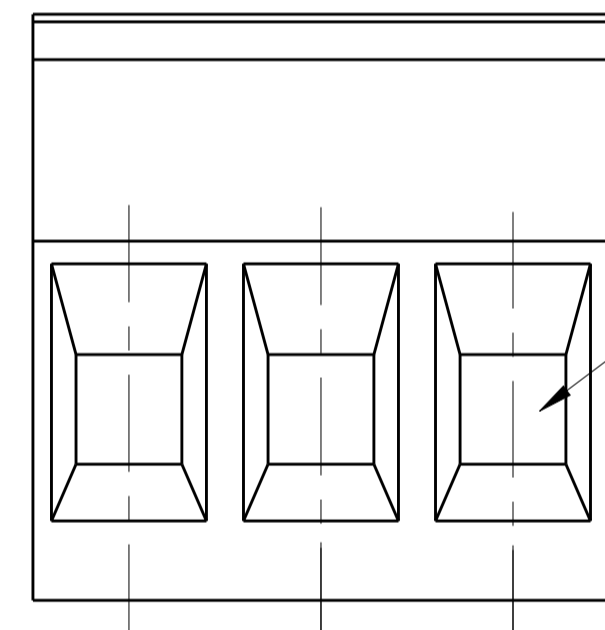
| LOC | DIST | REVISIONS | | | |
|-----|------|-----------|-----------|----|------|
| FT | 0 | REV | DATE | BY | APPV |
| | | R11 | 01DEC2014 | PS | JK |
| | | | | | |



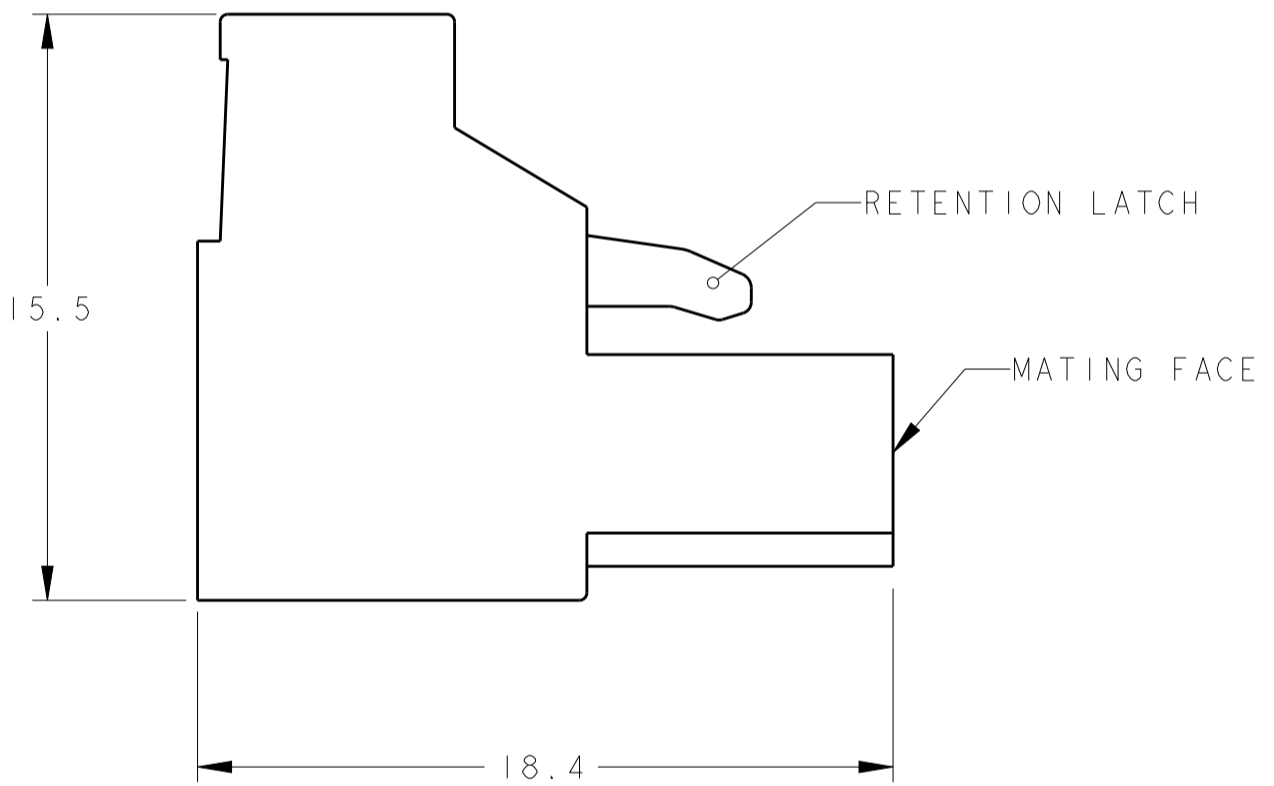
POLARIZATION KEY SLOT
 CLAMPING SCREW



796634-3 AS SHOWN



5.08±0.08 TYP
 2.54 REF 2 PLC



RETENTION LATCH
 MATING FACE

- △ MATERIALS AND FINISH:
 HOUSING: PA 6-6, UL 94-V0, COLOR: GREEN.
 CLAMP: BRASS, PLATING: SEE TABLE.
 DOUBLE SIDE CONTACT SPRING: PHOSPHOR BRONZE, PLATING: SEE TABLE.
 CLAMPING SCREW: M3, BRASS, NICKEL PLATED.
- END-TO-END STACKABLE WITHOUT LOSS OF CENTERLINE SPACING.
 - WIRE SIZE RANGE: 12-30 AWG.
 - RECOGNIZED UNDER THE COMPONENT PROGRAM OF UNDERWRITERS LABORATORIES INC. FILE N° E60677.
 - IMQ CERTIFICATE WITH SURVEILLANCE IN CONFORMITY WITH IEC 998-1/998-2-1.
- △ NOT CUMULATIVE TOLERANCE
- △ INK MARKING, WHITE COLOR
- △ INK MARKING, BLACK COLOR
- △ NUMERICAL SEQUENCE: FROM LEFT TO RIGHT UNLESS OTHERWISE SPECIFIED.
- BUCHANAN LOGO TO APPEAR ON HOUSING, LOCATION OPTIONAL WHERE SPACE PERMITS.
 - SELECTIVELY LOADED IN POSITIONS 1,2,4,5,7,8.

| REMOVE PIN 3 | PRELIMINARY | MATERIAL | FINISH | MARKING | DETAIL | CLAMP | CONTACT | NO OF POSN | PART NUMBER |
|--------------|-------------|--------------------------|--------------------------|---------|------------|--------------|---------|------------|-------------|
| | | NICKEL | TIN | △7/△9 | DETAIL AB | 86.36±0.30 | 17 | 8-796634-4 | |
| | | NICKEL | TIN | - | - | 25.40±0.20 | 5 | 8-796634-3 | |
| | | NICKEL | 0.76 μm AU | - | - | 106.68 ±0.35 | 21 | 8-796634-2 | |
| | | NICKEL | 0.76 μm AU | - | - | 86.36±0.30 | 17 | 8-796634-1 | |
| | | NICKEL | 0.76 μm AU | - | - | 71.12 | 14 | 8-796634-0 | |
| | | NICKEL | 0.76 μm AU | - | - | 60.96 | 12 | 7-796634-9 | |
| | | NICKEL | 0.76 μm AU | - | - | 50.80 | 10 | 7-796634-8 | |
| | | NICKEL | 0.76 μm AU | - | - | 45.72 | 9 | 7-796634-7 | |
| | | NICKEL | 0.76 μm AU | - | - | 40.64 | 8 | 7-796634-6 | |
| | | NICKEL | 0.76 μm AU | - | - | 35.56±0.20 | 7 | 7-796634-5 | |
| | | NICKEL | 0.76 μm AU | - | - | 30.48±0.20 | 6 | 7-796634-4 | |
| | | NICKEL | 0.76 μm AU | - | - | 25.40±0.20 | 5 | 7-796634-3 | |
| | | NICKEL | 0.76 μm AU | - | - | 20.32±0.15 | 4 | 7-796634-2 | |
| | | NICKEL | 0.76 μm AU | - | - | 15.24±0.15 | 3 | 7-796634-1 | |
| | | NICKEL | 0.76 μm AU | - | - | 10.16±0.15 | 2 | 7-796634-0 | |
| | | NICKEL | TIN | - | △ | 40.64 | 8 | 6-796634-9 | |
| | | NICKEL | TIN | △7/△9 | DETAIL Z | 91.44±0.30 | 18 | 6-796634-8 | |
| | | NICKEL | TIN | △7/△9 | DETAIL Y | 81.28±0.30 | 16 | 6-796634-7 | |
| | | NICKEL | TIN | △7/△9 | DETAIL X | 15.24±0.15 | 3 | 6-796634-6 | |
| | | NICKEL | TIN | △8/△9 | DETAIL W | 101.60±0.35 | 20 | 6-796634-5 | |
| | | NICKEL | TIN | △7/△9 | DETAIL V | 15.24±0.15 | 3 | 6-796634-4 | |
| | | NICKEL | TIN | △7/△9 | DETAIL T | 15.24±0.15 | 3 | 6-796634-3 | |
| | | NICKEL | TIN | △7/△9 | DETAIL S | 10.16±0.15 | 2 | 6-796634-2 | |
| | | .000008 GOLD OVER NICKEL | .000008 GOLD OVER NICKEL | - | - | 10.16±0.15 | 2 | 5-796634-6 | |
| | | NICKEL | GOLD FLASH | - | - | 25.40±0.20 | 5 | 5-796634-5 | |
| | | NICKEL | GOLD FLASH | - | - | 20.32±0.15 | 4 | 5-796634-4 | |
| | | NICKEL | GOLD FLASH | - | - | 10.16±0.15 | 2 | 5-796634-2 | |
| | | NICKEL | TIN | △8 | DETAIL P3 | 45.72 | 9 | 5-796634-1 | |
| | | NICKEL | TIN | △8 | DETAIL P2 | 45.72 | 9 | 5-796634-0 | |
| | | NICKEL | TIN | △7/△9 | DETAIL A-A | 45.72 | 9 | 4-796634-9 | |
| | | NICKEL | TIN | △8 | DETAIL PI | 20.32±0.15 | 4 | 4-796634-5 | |
| | | NICKEL | TIN | △7/△9 | DETAIL R | 71.12 | 14 | 4-796634-4 | |
| | | NICKEL | TIN | △8/△9 | DETAIL P | 55.88 | 11 | 4-796634-2 | |
| | | NICKEL | TIN | △7/△9 | DETAIL P | 55.88 | 11 | 4-796634-1 | |
| | | NICKEL | TIN | △8 | DETAIL N | 35.56±0.20 | 7 | 4-796634-0 | |
| | | NICKEL | TIN | △7/△9 | DETAIL M | 81.28±0.30 | 16 | 3-796634-9 | |
| | | NICKEL | TIN | △8/△9 | DETAIL K | 81.28±0.30 | 16 | 3-796634-8 | |
| | | NICKEL | TIN | △7/△9 | DETAIL J | 121.92±0.35 | 24 | 3-796634-7 | |
| | | NICKEL | TIN | △8/△9 | DETAIL H | 121.92±0.35 | 24 | 3-796634-6 | |
| | | NICKEL | TIN | △7/△9 | DETAIL G | 121.92±0.35 | 24 | 3-796634-5 | |
| | | NICKEL | TIN | △8/△9 | DETAIL F | 121.92±0.35 | 24 | 3-796634-4 | |
| | | NICKEL | TIN | △7/△9 | DETAIL E | 50.80 | 10 | 2-796634-8 | |
| | | NICKEL | TIN | △7/△9 | DETAIL D | 40.64 | 8 | 2-796634-7 | |
| | | NICKEL | TIN | - | - | 127.00±0.35 | 25 | 2-796634-5 | |
| | | NICKEL | TIN | - | - | 121.92±0.35 | 24 | 2-796634-4 | |
| | | NICKEL | TIN | - | - | 116.84±0.35 | 23 | 2-796634-3 | |
| | | NICKEL | TIN | - | - | 111.76±0.35 | 22 | 2-796634-2 | |
| | | NICKEL | TIN | - | - | 106.68±0.35 | 21 | 2-796634-1 | |
| | | NICKEL | TIN | - | - | 101.60±0.35 | 20 | 2-796634-0 | |
| | | NICKEL | TIN | - | - | 96.52±0.35 | 19 | 1-796634-9 | |
| | | NICKEL | TIN | - | - | 91.44±0.30 | 18 | 1-796634-8 | |
| | | NICKEL | TIN | - | - | 86.36±0.30 | 17 | 1-796634-7 | |
| | | NICKEL | TIN | - | - | 81.28±0.30 | 16 | 1-796634-6 | |
| | | NICKEL | TIN | - | - | 76.20±0.30 | 15 | 1-796634-5 | |
| | | NICKEL | TIN | - | - | 71.12 | 14 | 1-796634-4 | |
| | | NICKEL | TIN | - | - | 66.04 | 13 | 1-796634-3 | |
| | | NICKEL | TIN | - | - | 60.96 | 12 | 1-796634-2 | |
| | | NICKEL | TIN | - | - | 55.88 | 11 | 1-796634-1 | |
| | | NICKEL | TIN | - | - | 50.80 | 10 | 1-796634-0 | |
| | | NICKEL | TIN | - | - | 45.72 | 9 | 796634-9 | |
| | | NICKEL | TIN | - | - | 40.64 | 8 | 796634-8 | |
| | | NICKEL | TIN | - | - | 35.56±0.20 | 7 | 796634-7 | |
| | | NICKEL | TIN | - | - | 30.48±0.20 | 6 | 796634-6 | |
| | | NICKEL | TIN | - | - | 25.40±0.20 | 5 | 796634-5 | |
| | | NICKEL | TIN | - | - | 20.32±0.15 | 4 | 796634-4 | |
| | | NICKEL | TIN | - | - | 15.24±0.15 | 3 | 796634-3 | |
| | | NICKEL | TIN | - | - | 10.16±0.15 | 2 | 796634-2 | |
| | | | | | | | | | |
| | | CLAMP PLATING | CONTACT PLATING | MARKING | SPECIAL | L | | | |

THIS DRAWING IS A CONTROLLED DOCUMENT. DWG: S.WELDON 18OCT2000
 CHK: D.BIEVENOUR 18OCT2000
 APVD: D.BIEVENOUR 18OCT2000

TE Connectivity

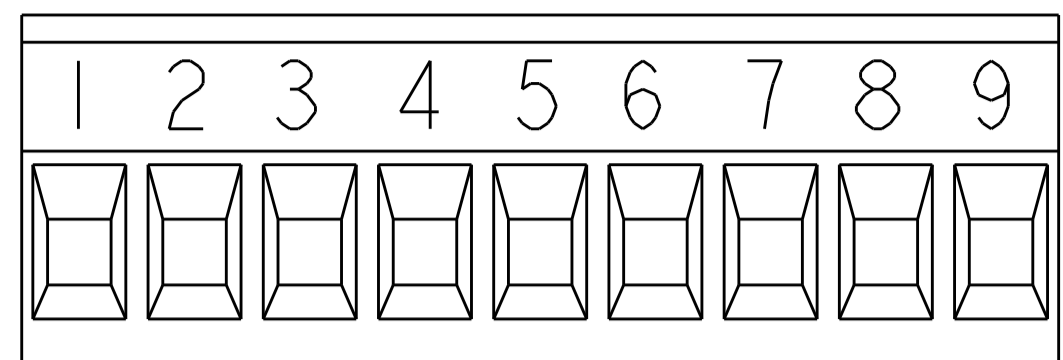
NAME: TERMINAL BLOCK, PLUG, STACKING, 5.08mm PITCH

SIZE: A1 CAGE CODE: 796634 DRAWING NO: 796634 SHEET 1 OF 3

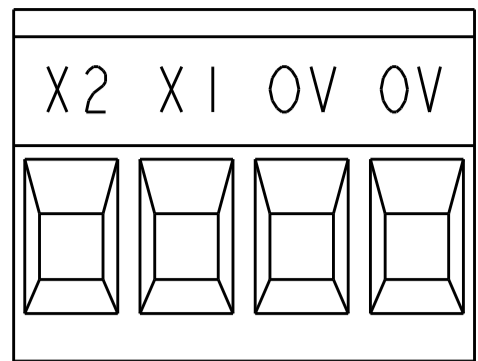
SCALE: 5:1

REVISIONS: R11

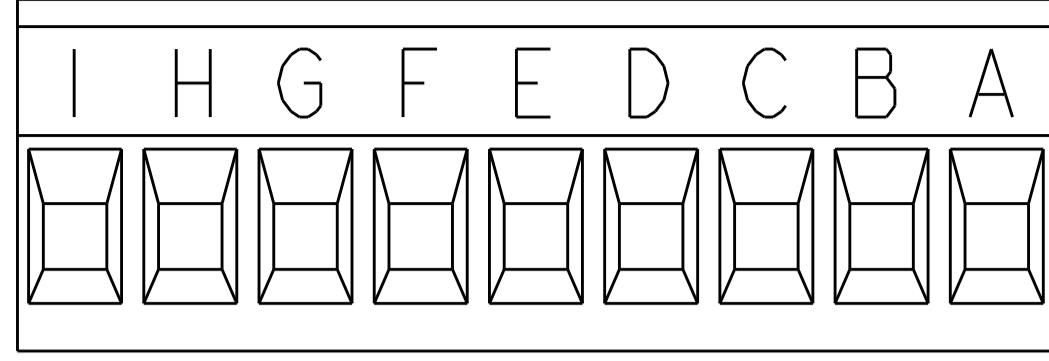
| LOC | DIST | REVISIONS | | | |
|-----|------|-----------|------|----|------|
| FT | 0 | REV | DATE | BY | APPV |
| | | 1 | | | |
| | | 2 | | | |
| | | 3 | | | |
| | | 4 | | | |
| | | 5 | | | |
| | | 6 | | | |
| | | 7 | | | |
| | | 8 | | | |
| | | 9 | | | |
| | | 10 | | | |
| | | 11 | | | |
| | | 12 | | | |
| | | 13 | | | |
| | | 14 | | | |
| | | 15 | | | |
| | | 16 | | | |
| | | 17 | | | |
| | | 18 | | | |
| | | 19 | | | |
| | | 20 | | | |



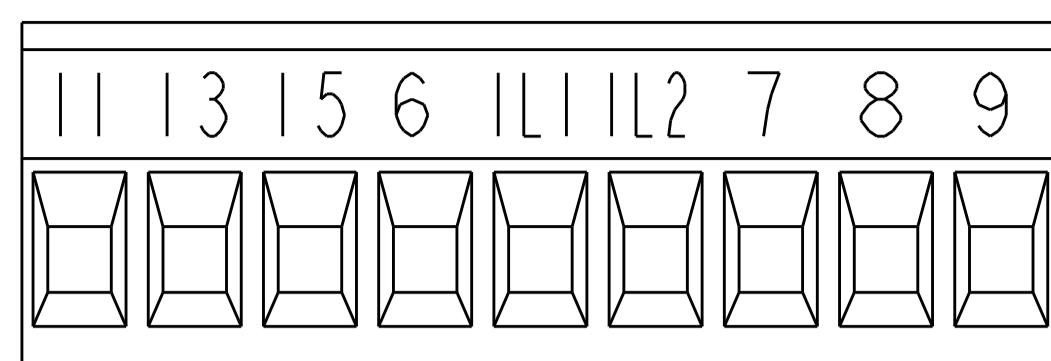
DETAIL A-A



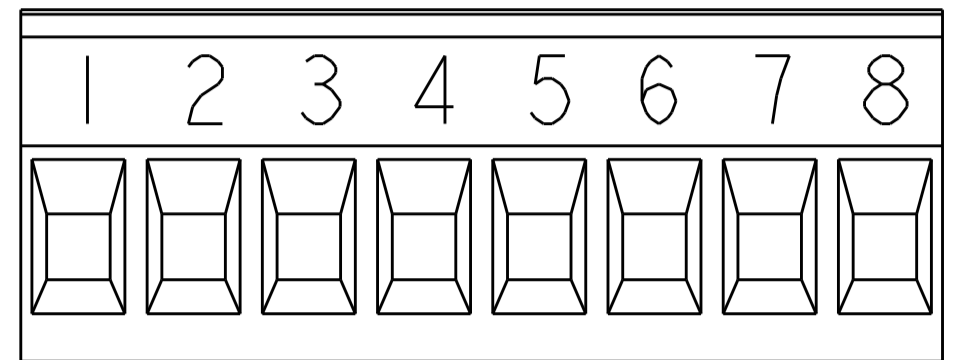
DETAIL P1



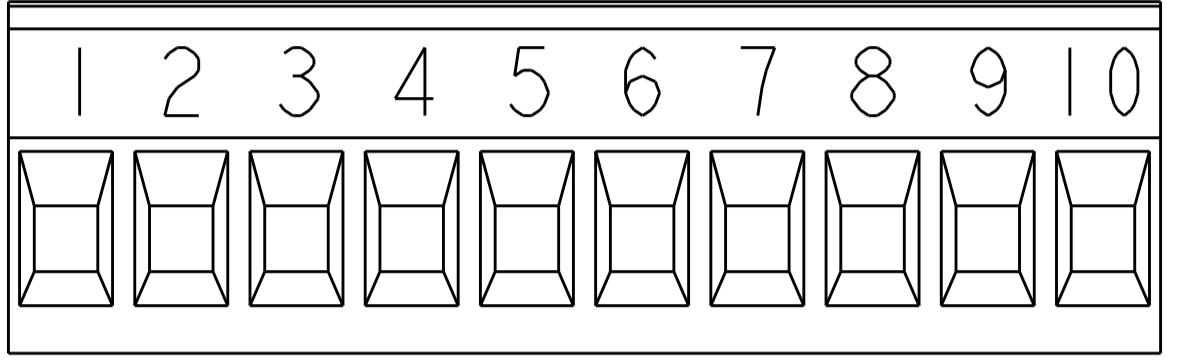
DETAIL P2



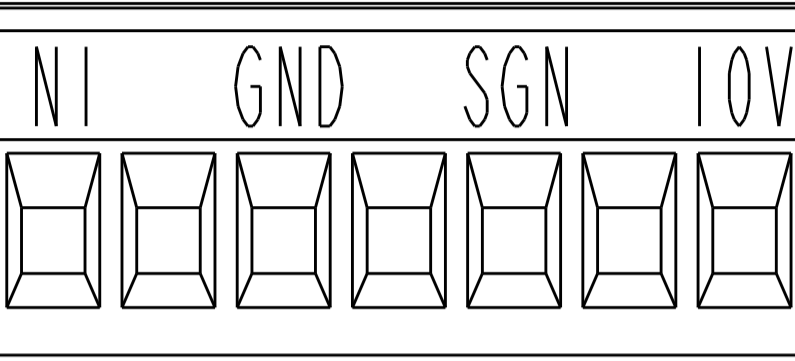
DETAIL P3



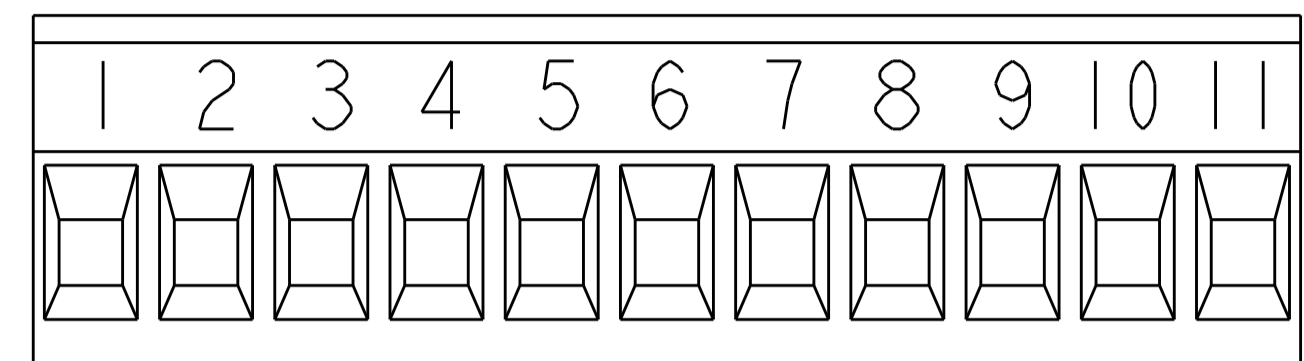
DETAIL D



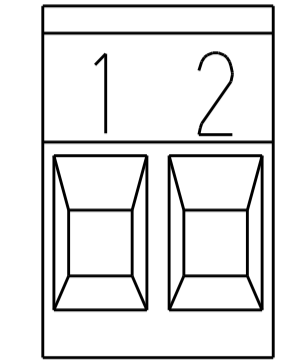
DETAIL E



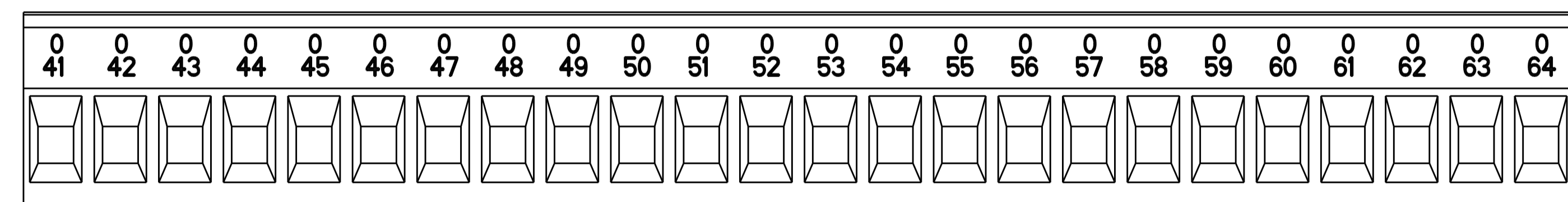
DETAIL N



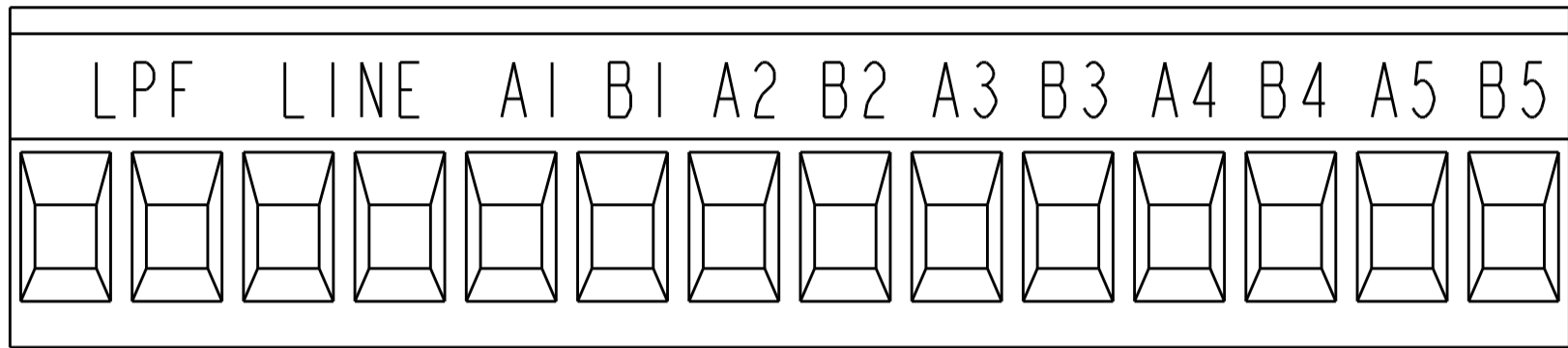
DETAIL P



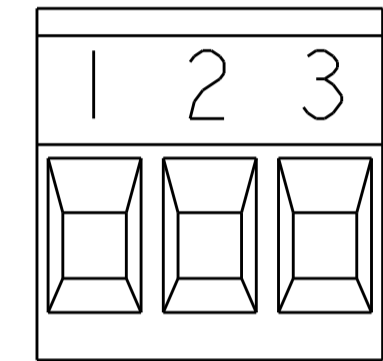
DETAIL S



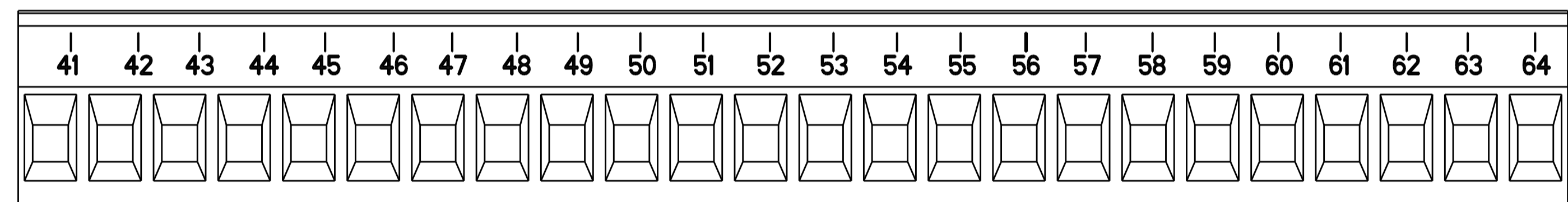
DETAIL F



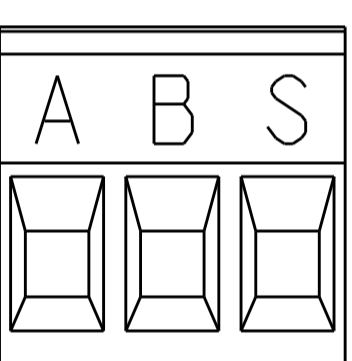
DETAIL R



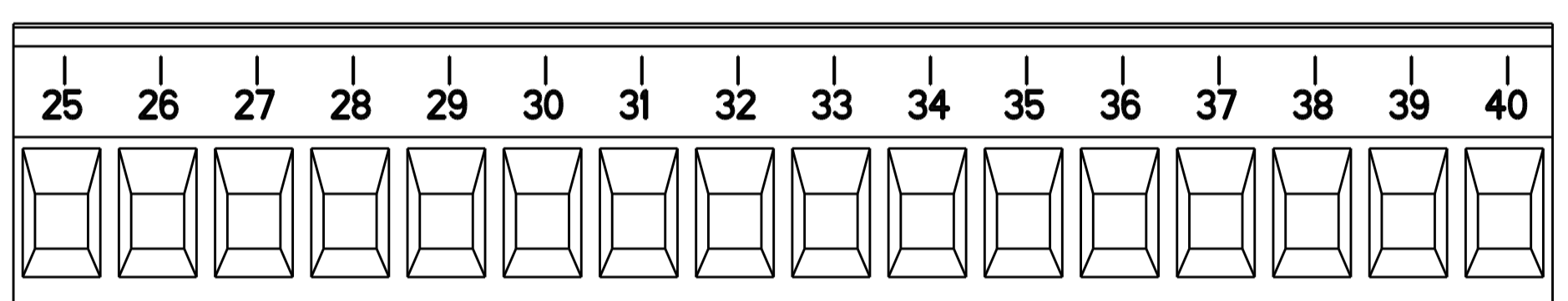
DETAIL T



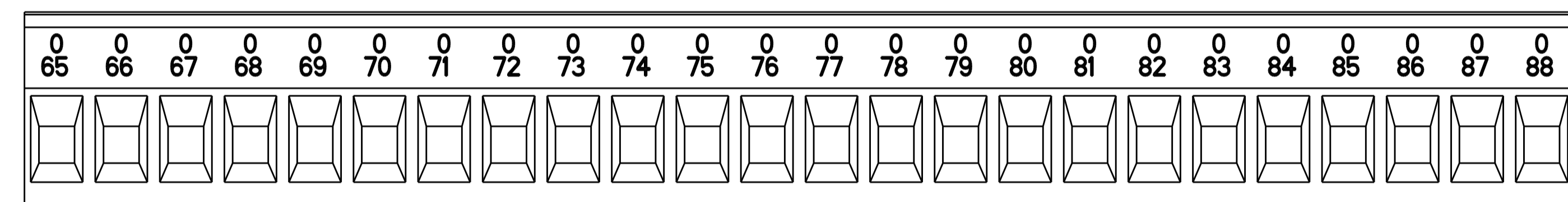
DETAIL G



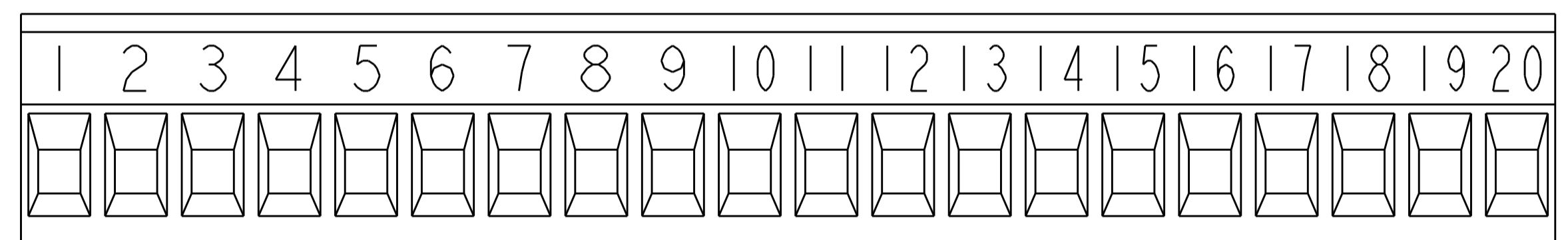
DETAIL V



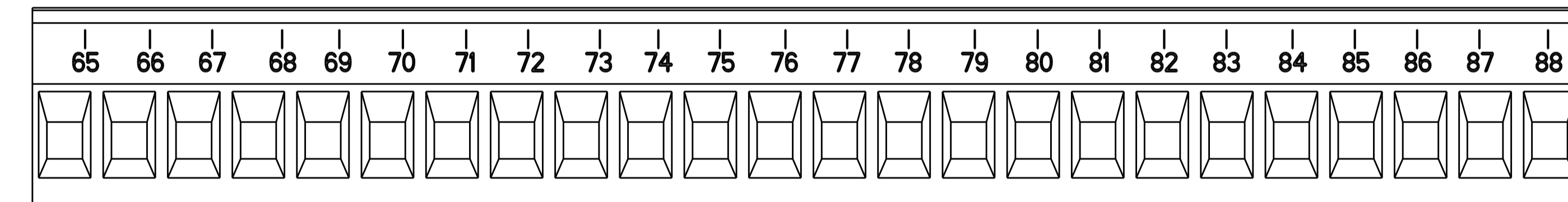
DETAIL M



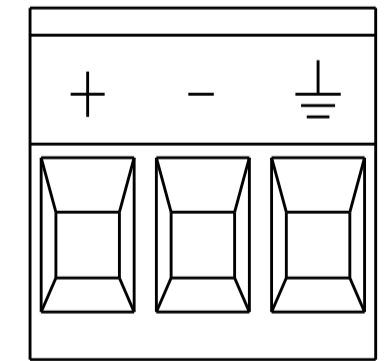
DETAIL H



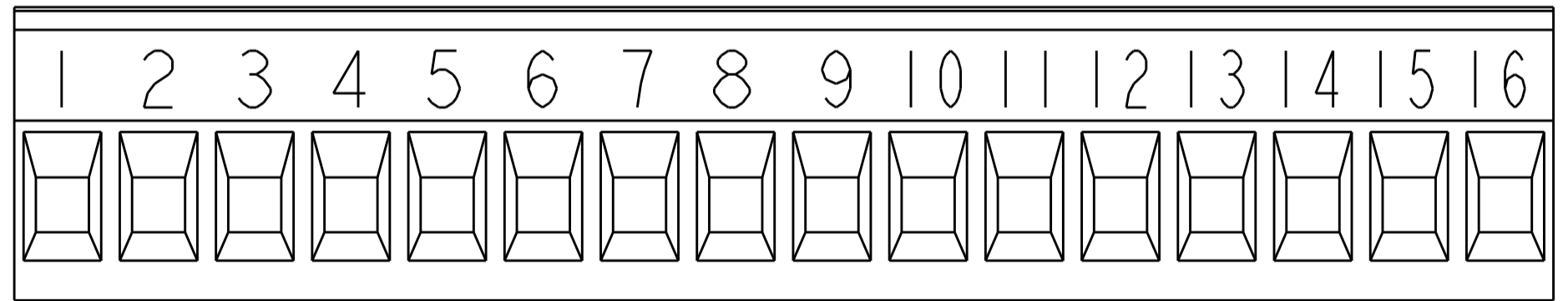
DETAIL W



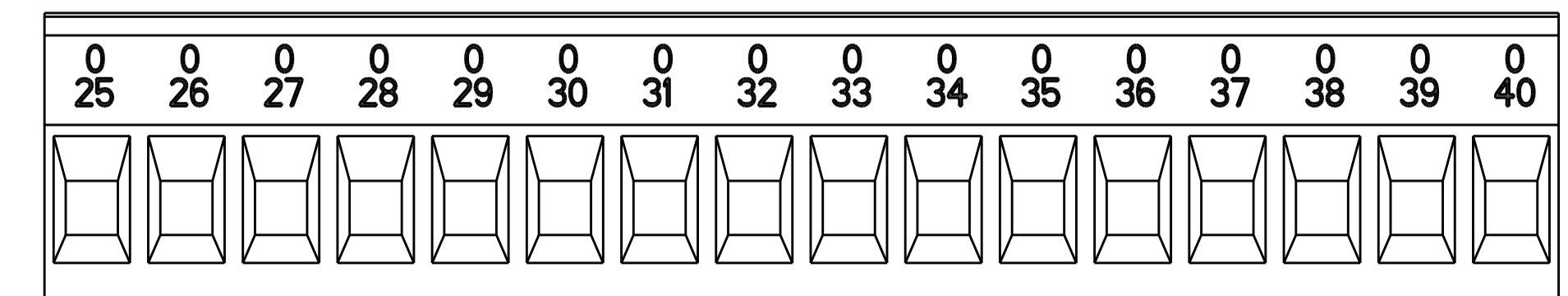
DETAIL J



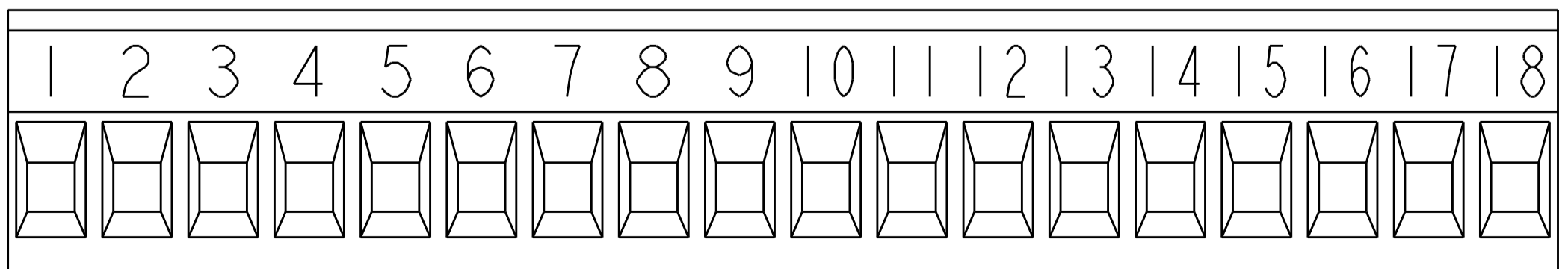
DETAIL X



DETAIL Y



DETAIL K

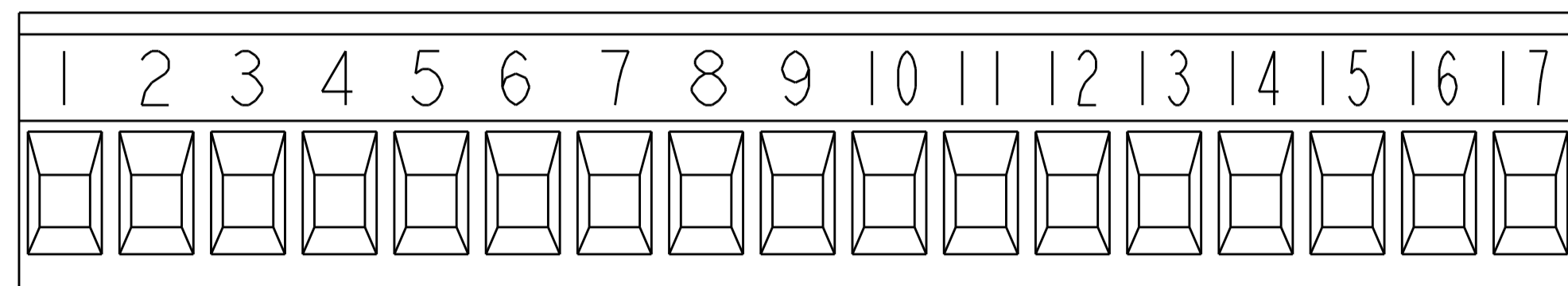


DETAIL Z

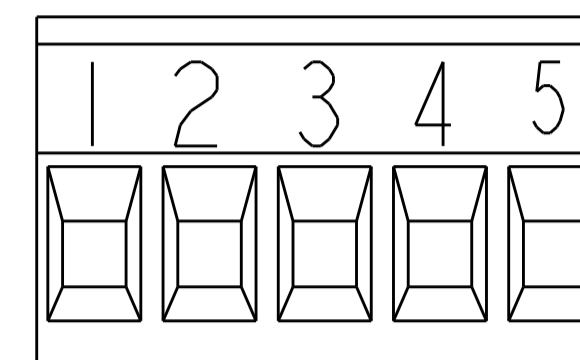
| | | | |
|--|--|------------------------------|--|
| THIS DRAWING IS A CONTROLLED DOCUMENT. | | OWN: S. WELDON 18OCT2000 | TE Connectivity |
| DIMENSIONS: mm | | CHK: D. BIEVENOUR 18OCT2000 | |
| TOLERANCES UNLESS OTHERWISE SPECIFIED: | | APVD: D. BIEVENOUR 18OCT2000 | NAME: TERMINAL BLOCK, PLUG, STACKING, 5.08mm PITCH |
| 0 PLC ± | | PRODUCT SPEC | SIZE: A100779C=796634 |
| 1 PLC ±0.3 | | APPLICATION SPEC | RESTRICTED TO |
| 2 PLC ±0.25 | | WEIGHT | SCALE: 4:1 SHEET 2 OF 3 |
| 3 PLC ± | | CUSTOMER DRAWING | REV: 1 |
| 4 PLC ± | | | |
| ANGLES ± | | | |
| FINISH | | | |

THIS DRAWING IS UNPUBLISHED. RELEASED FOR PUBLICATION 20
 © COPYRIGHT 20 BY - ALL RIGHTS RESERVED.

| LOC | | DIST | | REVISIONS | | | |
|-----|---|------|-----|-------------|------|-----|------|
| FT | 0 | P | LTN | DESCRIPTION | DATE | DWN | APVD |
| - | - | - | - | SEE SHEET 1 | - | - | - |
| | | | | | | | |
| | | | | | | | |



DETAIL AB



DETAIL AC

| | | | | | | | |
|--|-------------------------|---|--|--|--------------|-----------------|---------------------------|
| PRELIMINARY | NICKEL CLAMP PLATING | TIN CONTACT PLATING | $\nabla_7 \nabla_9$ MARKING | DETAIL AC SPECIAL | 25.40 L | 5 NO OF POSN | 8-796634-5 PART NUMBER |
| THIS DRAWING IS A CONTROLLED DOCUMENT. | | | DWN S. WELDON 18OCT2000 CHK D. BIEVENOUR 18OCT2000 APVD D. BIEVENOUR 18OCT2000 | TE Connectivity NAME: TERMINAL BLOCK, PLUG, STACKING, 5.08mm PITCH PRODUCT SPEC: - APPLICATION SPEC: - SIZE: A100779C=796634 RESTRICTED TO: - | | | |
| DIMENSIONS: mm | | TOLERANCES UNLESS OTHERWISE SPECIFIED: | | MATERIAL: - | | | |
| | | 0 PLC ± 1 PLC ±0.3 2 PLC ±0.25 3 PLC ± 4 PLC ± ANGLES ±2° FINISH: - | | WEIGHT: - | | | |
| CUSTOMER DRAWING | | | SCALE 4:1 | | SHEET 3 OF 3 | | REV: 1 |



Компания «ЭлектроПласт» предлагает заключение долгосрочных отношений при поставках импортных электронных компонентов на взаимовыгодных условиях!

Наши преимущества:

- Оперативные поставки широкого спектра электронных компонентов отечественного и импортного производства напрямую от производителей и с крупнейших мировых складов;
- Поставка более 17-ти миллионов наименований электронных компонентов;
- Поставка сложных, дефицитных, либо снятых с производства позиций;
- Оперативные сроки поставки под заказ (от 5 рабочих дней);
- Экспресс доставка в любую точку России;
- Техническая поддержка проекта, помощь в подборе аналогов, поставка прототипов;
- Система менеджмента качества сертифицирована по Международному стандарту ISO 9001;
- Лицензия ФСБ на осуществление работ с использованием сведений, составляющих государственную тайну;
- Поставка специализированных компонентов (Xilinx, Altera, Analog Devices, Intersil, Interpoint, Microsemi, Aeroflex, Peregrine, Syfer, Eurofarad, Texas Instrument, Miteq, Cobham, E2V, MA-COM, Hittite, Mini-Circuits, General Dynamics и др.);

Помимо этого, одним из направлений компании «ЭлектроПласт» является направление «Источники питания». Мы предлагаем Вам помощь Конструкторского отдела:

- Подбор оптимального решения, техническое обоснование при выборе компонента;
- Подбор аналогов;
- Консультации по применению компонента;
- Поставка образцов и прототипов;
- Техническая поддержка проекта;
- Защита от снятия компонента с производства.



Как с нами связаться

Телефон: 8 (812) 309 58 32 (многоканальный)

Факс: 8 (812) 320-02-42

Электронная почта: org@eplast1.ru

Адрес: 198099, г. Санкт-Петербург, ул. Калинина, дом 2, корпус 4, литера А.