

PLEASE CHECK WWW.MOLEX.COM FOR LATEST PART INFORMATION

Part Number: [0528522470](#)
Status: **Active**
Overview: [ffc fpc smt](#)
Description: 1.00mm (.039") Pitch FFC/FPC Connector, SMT, Right Angle, Non-ZIF, Bottom Contact Style Receptacle, 24 Circuits, Lead-free

Documents:

[3D Model](#) [Product Specification PS-52852-014 \(PDF\)](#)
[Drawing \(PDF\)](#) [RoHS Certificate of Compliance \(PDF\)](#)

Agency Certification

CSA LR19980
 UL E29179

General

Product Family FFC/FPC Connectors
 Series [52852](#)
 Overview [ffc fpc smt](#)
 Product Name N/A

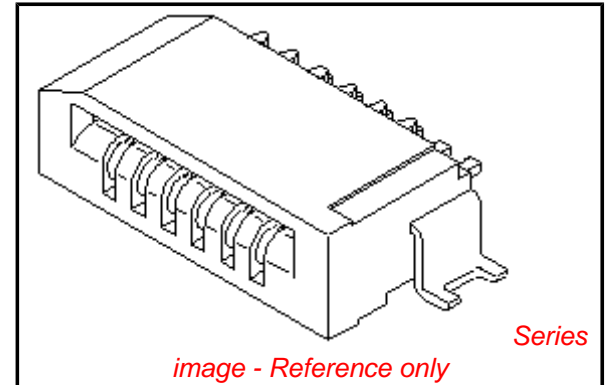
Physical

Circuits (Loaded) 24
 Circuits (maximum) 24
 Contact Position Bottom
 Durability (mating cycles max) 10
 Entry Angle 90° Angle
 Flammability 94V-0
 Mated Height (in) 0.122 In
 Mated Height (mm) 3.10 mm
 Material - Metal Phosphor Bronze
 Material - Plating Mating Tin-Bismuth
 Material - Plating Termination Tin-Bismuth
 Number of Rows 1
 Orientation Right Angle
 PCB Locator No
 PCB Retention Yes
 Packaging Type Embossed Tape on Reel
 Pitch - Mating Interface (in) 0.039 In
 Pitch - Mating Interface (mm) 1.00 mm
 Pitch - Term. Interface (in) 0.039 In
 Pitch - Term. Interface (mm) 1.00 mm
 Plating min: Mating (µin) 40
 Plating min: Mating (µm) 1
 Plating min: Termination (µin) 40
 Plating min: Termination (µm) 1
 Polarized to PCB No
 Stackable No
 Surface Mount Compatible (SMC) Yes
 Temperature Range - Operating -20°C to +80°C
 Termination Interface: Style Surface Mount
 Wire/Cable Type FFC/FPC

Electrical

Current - Maximum per Contact 0.5A
 Voltage - Maximum 50V AC (RMS)/DC

Material Info



EU RoHS

ELV and RoHS Compliant
REACH SVHC Contains SVHC: No
Halogen-Free Status

China RoHS



Need more information on product environmental compliance?

Email productcompliance@molex.com
 For a multiple part number RoHS Certificate of Compliance, [click here](#)

Please visit the [Contact Us](#) section for any non-product compliance questions.

Search Parts in this Series
[52852Series](#)

Reference - Drawing Numbers

Packaging Specification
Product Specification

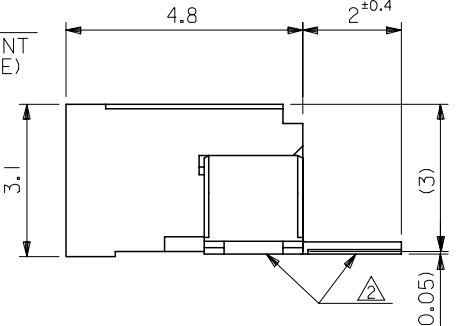
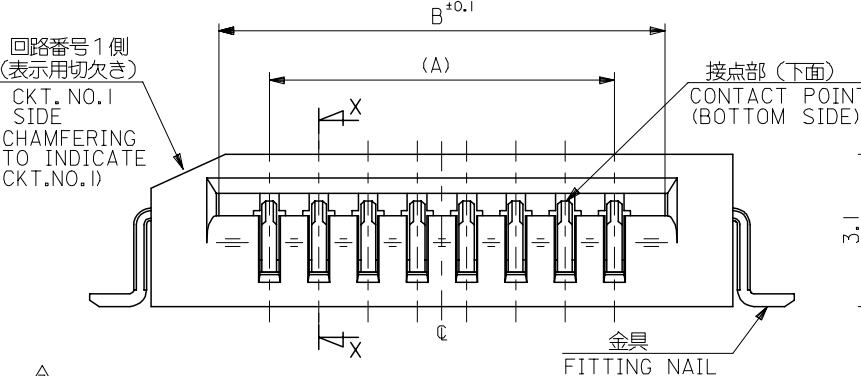
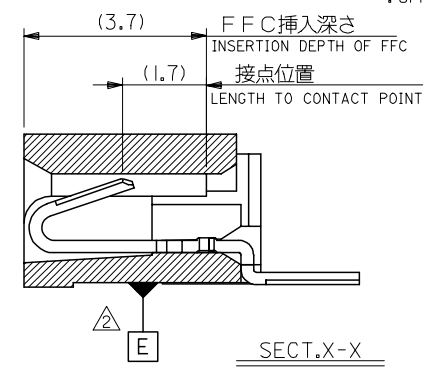
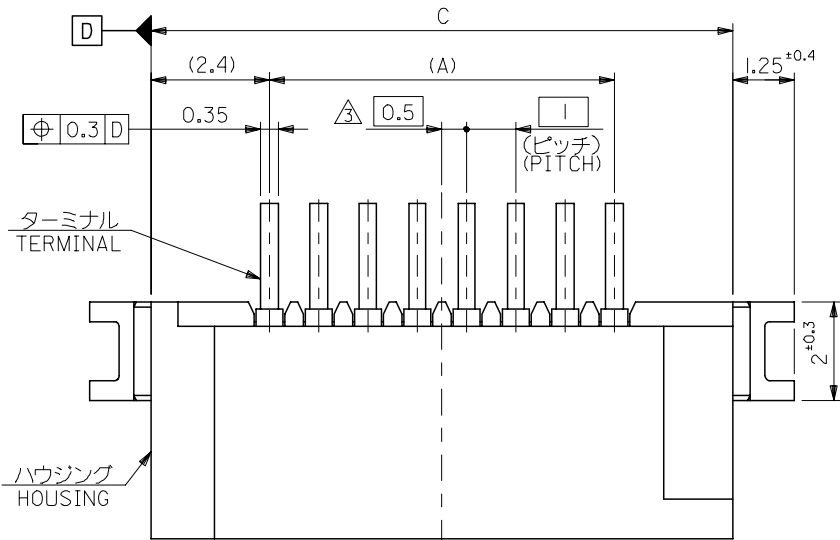
SPK-52852-001
PS-52852-014, RPS-52852-017, RPS-52852-018,
RPS-52852-019, RPS-52852-022, RPS-52852-023,
RPS-52852-025
SD-52852-010, SD-52852-011

Sales Drawing

This document was generated on 06/07/2010

PLEASE CHECK WWW.MOLEX.COM FOR LATEST PART INFORMATION

10 9 8 7 6 5 4 3 2 1



注記 NOTES:

1. 使用材料 MATERIAL
 ハウジング: PPS,UL94V-0
 ターミナル: リン青銅 (τ=0.25)
 メッキ: ニッケル下地鍍ビスマスメッキ
 金具: リン青銅 (τ=0.25)
 メッキ: ニッケル下地鍍メッキ

HOUSING : PPS,UL94V-0
 TERMINAL : PHOSPHOR BRONZE
 PLATING : TIN-BISMUTH OVER NICKEL
 FITTING NAIL : PHOSPHOR BRONZE
 PLATING : TIN OVER NICKEL

△ 基準面 E からのソルダーテールとフィッティングネイルの半田付け面のズレ量は、
 上方向に0.1MAX、下方向0.15MAX、とする。
 MISALIGNMENT OF SOLDER TAIL AND FITTING NAIL FROM E
 : UPPER DIRECTION 0.1MAX, LOWER DIRECTION 0.15 MAX.

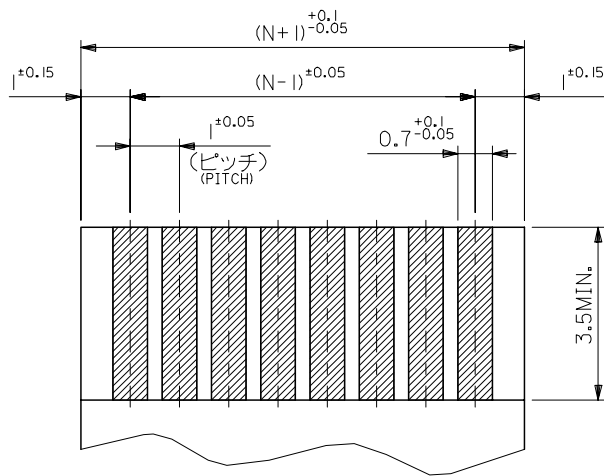
| | | | | |
|------|-------|----|--------------|------------|
| 33.8 | 31.05 | 29 | 52852-3019 | 30 |
| 32.8 | 30.05 | 28 | -2919 | 29 |
| 31.8 | 29.05 | 27 | -2819 | 28 |
| 30.8 | 28.05 | 26 | -2719 | 27 |
| 29.8 | 27.05 | 25 | -2619 | 26 |
| 28.8 | 26.05 | 24 | -2519 | 25 |
| 27.8 | 25.05 | 23 | -2419 | 24 |
| 26.8 | 24.05 | 22 | -2319 | 23 |
| 25.8 | 23.05 | 21 | -2219 | 22 |
| 24.8 | 22.05 | 20 | -2119 | 21 |
| 23.8 | 21.05 | 19 | -2019 | 20 |
| 22.8 | 20.05 | 18 | -1919 | 19 |
| 21.8 | 19.05 | 17 | -1819 | 18 |
| 20.8 | 18.05 | 16 | -1719 | 17 |
| 19.8 | 17.05 | 15 | -1619 | 16 |
| 18.8 | 16.05 | 14 | -1519 | 15 |
| 17.8 | 15.05 | 13 | -1419 | 14 |
| 16.8 | 14.05 | 12 | -1319 | 13 |
| 15.8 | 13.05 | 11 | -1219 | 12 |
| 14.8 | 12.05 | 10 | -1119 | 11 |
| 13.8 | 11.05 | 9 | -1019 | 10 |
| 12.8 | 10.05 | 8 | -0919 | 9 |
| 11.8 | 9.05 | 7 | -0819 | 8 |
| 10.8 | 8.05 | 6 | -0719 | 7 |
| 9.8 | 7.05 | 5 | -0619 | 6 |
| 8.8 | 6.05 | 4 | -0519 | 5 |
| 7.8 | 5.05 | 3 | 52852-0419 | 4 |
| C | B | A | MATERIAL NO. | 極数 CIRCUIT |

△ 偶数極に適用。
 APPLY FOR EVEN CKT.
 4. 本製品は 52852-***10 の鉛フリー品である。
 THIS PRODUCT IS LEAD FREE OF 52852-***10

| | | | | | | | |
|--|---------------------------------------|-------|----------------------------|---------------------|---|------------------------|--------------------------|
| REVISED EC NO: J2005-1451 DRAWN: NAIDA 2004/11/16 CHKD: KTOJO 2004/11/17 APPR: NUKITA 2004/11/26 | GENERAL TOLERANCES (UNLESS SPECIFIED) | | DIMENSION STYLE MM ONLY | | SCALE --- | DESIGN UNITS METRIC | MODEL NO. 52852-***19 |
| | 10 UNDER | ±0.2 | DRAWN BY M. NAGATA | DATE '04/02/27 | TITLE 1.0 FFC CONN NON ZIF SMT RA (BOTTOM CONTACT) -LEAD FREE- | | |
| | 10 OVER 30 UNDER | ±0.25 | CHECKED BY K. TOJO | DATE '04/02/27 | MOLEX INCORPORATED | | |
| | 30 OVER | ±0.3 | APPROVED BY M. SASAO | DATE '04/02/27 | DOCUMENT NO. SD-52852-010 | | |
| | ANGULAR | ±3 ° | MATERIAL NO. SEE CAHRT | SHEET NO. 1 OF 2 | | | |

DRAFT WHERE APPLICABLE MUST REMAIN WITHIN DIMENSIONS

SIZE A 3 THIS DRAWING CONTAINS INFORMATION THAT IS PROPRIETARY TO MOLEX INCORPORATED AND SHOULD NOT BE USED WITHOUT WRITTEN PERMISSION



(仕上がり厚さ) 0.3 ± 0.03
 THICKNESS
 適合 FPC/FFC 推奨寸法
 APPLICABLE FPC/FFC
 RECOMMENDED DIMENSION.

FPC/FFCについて:

打抜き方向は導体側から補強板側を推奨いたします。

ABOUT FPC/FFC

RECOMMENDED PUNCHER DIRECTION : FROM CONDUCTOR SIDE TO STIFFENER FILM SIDE.

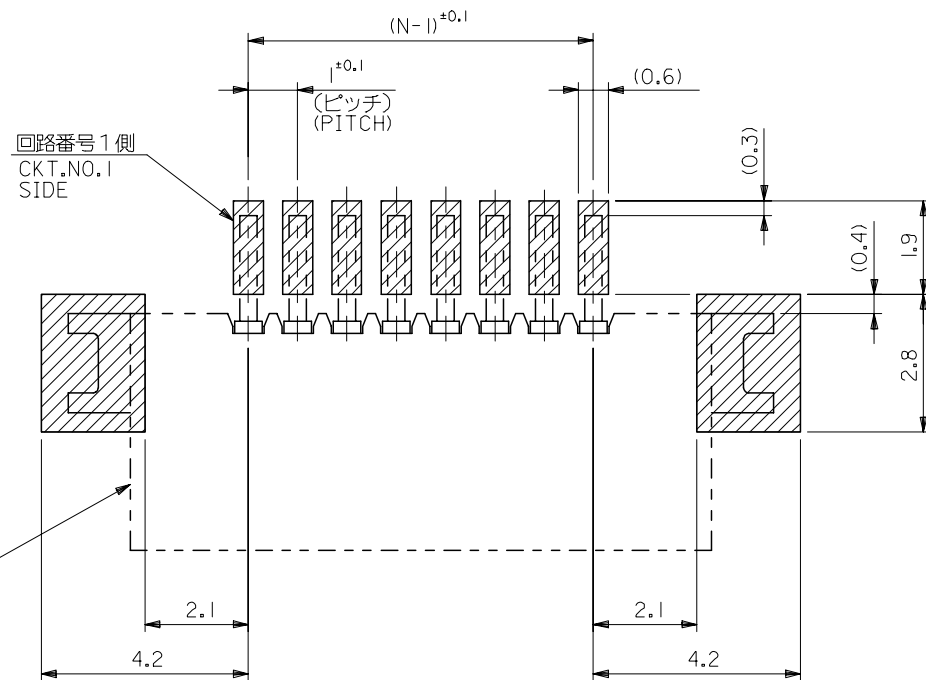
FPCについて:

補強フィルム材質はポリイミドを推奨します。

接着剤は熱硬化接着剤を推奨します。

ABOUT FPC

RECOMMENDED MATERIAL :
 STIFFENER FILM : POLYIMIDE
 BONDING AGENT : THERMOSETTING BONDING AGENT



コネクタ位置
 CONNECTOR
 POSITION

参考基板レイアウト (マウント面)

RECOMMENDED P.C.BOARD
 PATTERN DIMENSION. (REF.)
 (MOUNTING AREA)

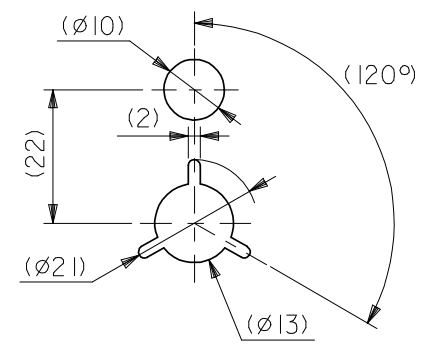
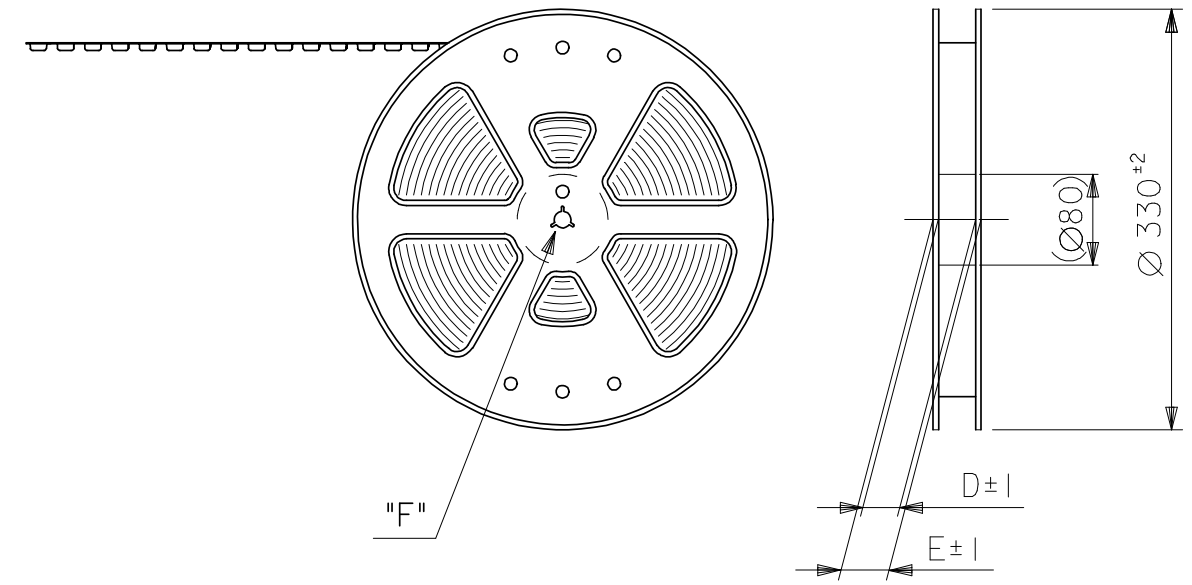
MODEL NO. 52852-***19

| | | | | | | | |
|---|--|--------------|------------------------------|---------------------|--|------------------------|---------------------------|
| REVISED EC NO: J2005-1451 DRAWN:NAIDA 2004/11/16 CHKD:KTOJO 2004/11/17 APPR:NUKITA 2004/11/26 | GENERAL TOLERANCES (UNLESS SPECIFIED) | | DIMENSION STYLE MM ONLY | | SCALE --- | DESIGN UNITS METRIC | THIRD ANGLE PROJECTION |
| | 10 UNDER | ±0.2 | DRAWN BY M. NAGATA | DATE '04/02/27 | TITLE 1.0 FFC CONN NON ZIF SMT RA (BOTTOM CONTACT) -LEAD FREE- | | |
| | 10 OVER 30 UNDER | ±0.25 | CHECKED BY K. TOJO | DATE '04/02/27 | | | |
| | 30 OVER | ±0.3 | APPROVED BY M. SASAO | DATE '04/02/27 | MOLEX INCORPORATED | | |
| ANGULAR | ±3 ° | MATERIAL NO. | DOCUMENT NO. SD-52852-010 | SHEET NO. 2 OF 2 | | | |
| A | DRAFT WHERE APPLICABLE MUST REMAIN WITHIN DIMENSIONS | | SEE CHART | | THIS DRAWING CONTAINS INFORMATION THAT IS PROPRIETARY TO MOLEX INCORPORATED AND SHOULD NOT BE USED WITHOUT WRITTEN PERMISSION | | |

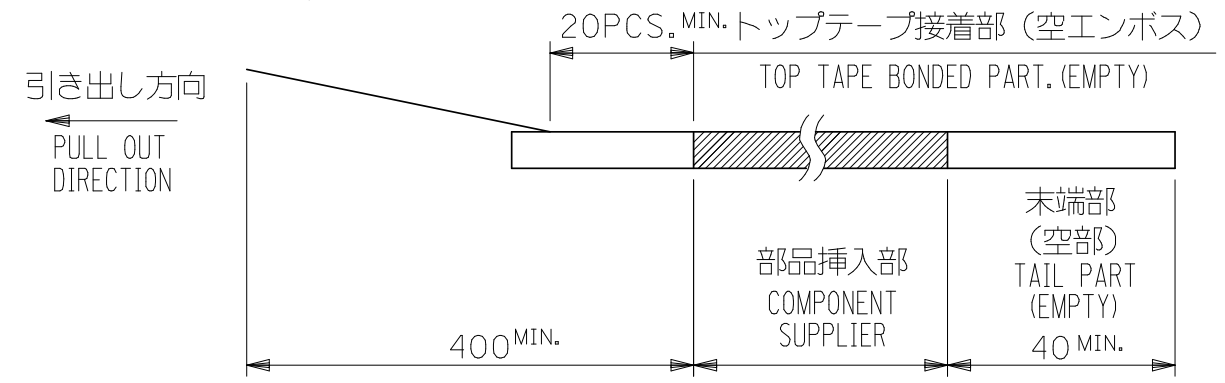
NOTES

- 製品詳細寸法は製品単体図面を参照して下さい。
FOR DETAIL OF CONNECTOR DIMENSIONS, PLEASE SEE THE DRAWING OF CONNECTOR ITSELF (NOT PACKAGED).
- 梱包数量：1000個/リール
NUMBER OF CONNECTORS : 1000PCS/REEL
- リードテープ長さ LEAD TAPE LENGTH

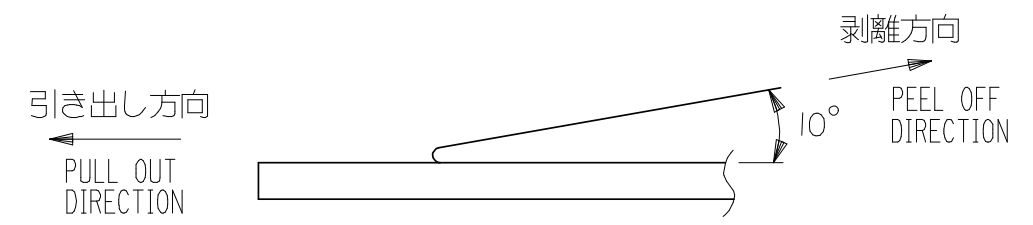
引き出し方向
PULL OUT DIRECTION



DETAIL "F"



- トップテープの剥離強度：0.1～1.3N(10～130gf)
(剥離方向は下図参照)
尚、本規格値は出荷時に適用。(但し、輸送時に剥離が発生しないこと。)
PEELING OFF FORCE OF TOP TAPE : 0.1～1.3N(10～130gf)
(PEELING DIRECTION AS SHOWN IN FOLLOWING FIG.)
THIS REQUIREMENT SHOULD BE APPLIED AT SHIPMENT.
PEEL OFF SHOULD NOT BE ALLOWED , DURING TRANSPORTATION.

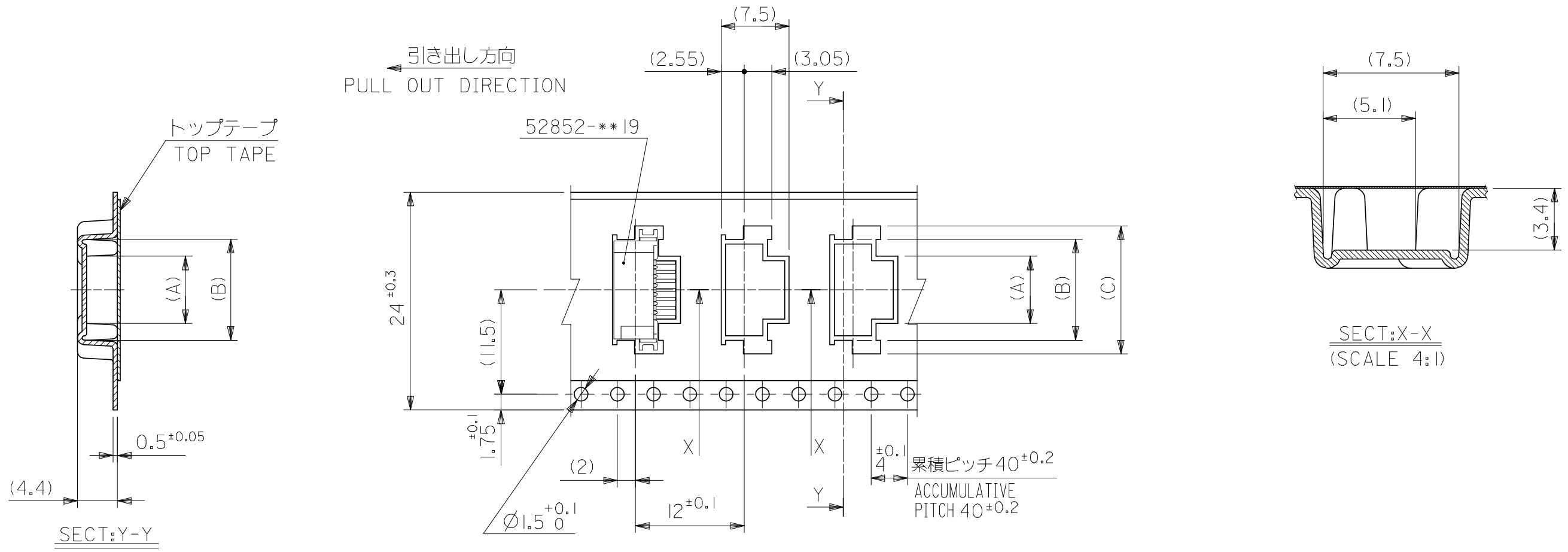


- 材料(MATERIAL)
キャリアテープ(CARRIER TAPE)：ポリプロピレン(POLYPROPYLENE)
トップテープ(TOPTAPE)：PET , PE , PEF
リール(REEL)：ポリスチレン (P S) <リサイクル材を含む>
POLYSTYREN(PS) <RECYCLE MATERIAL CONTAINED>

- 本製品は 52852-***90 の鉛フリー品である。
THIS PRODUCT IS LEAD FREE OF 52852-***90

MODEL NO. 52852-***70

| | | | | | | |
|---|--|--|--|--|------------------------|------------------------|
| REVISED EC NO: J2008-1818 DRWN: MNABEI 2007/11/12 CHKD: MISOGAYA 2007/11/13 APPR: NUKITA 2007/11/26 | DESCRIPTION GENERAL TOLERANCES (UNLESS SPECIFIED) | 10 UNDER ±0.2 | DIMENSION STYLE MM ONLY | SCALE --- | DESIGN UNITS METRIC | THIRD ANGLE PROJECTION |
| | | 10 OVER 30 UNDER ±0.25 | DRAWN BY DATE M. NAGATA '04/02/27 | TITLE 1.0 FPC CONN NON ZIF SMT RA BOTTOM CONTACT EMBSTP -LEAD FREE- | | |
| | | 30 OVER ±0.3 | CHECKED BY DATE K. TOJO '04/02/27 | MOLEX INCORPORATED | | |
| | | ANGULAR ±3 ° | APPROVED BY DATE M. SASAO '04/02/27 | DOCUMENT NO. SD-52852-011 | SHEET NO. 1 OF 5 | |
| | | DRAFT WHERE APPLICABLE MUST REMAIN WITHIN DIMENSIONS | MATERIAL NO. SEE TABLE | THIS DRAWING CONTAINS INFORMATION THAT IS PROPRIETARY TO MOLEX INCORPORATED AND SHOULD NOT BE USED WITHOUT WRITTEN PERMISSION | | |
| A | REV | SIZE A3 | | | | |

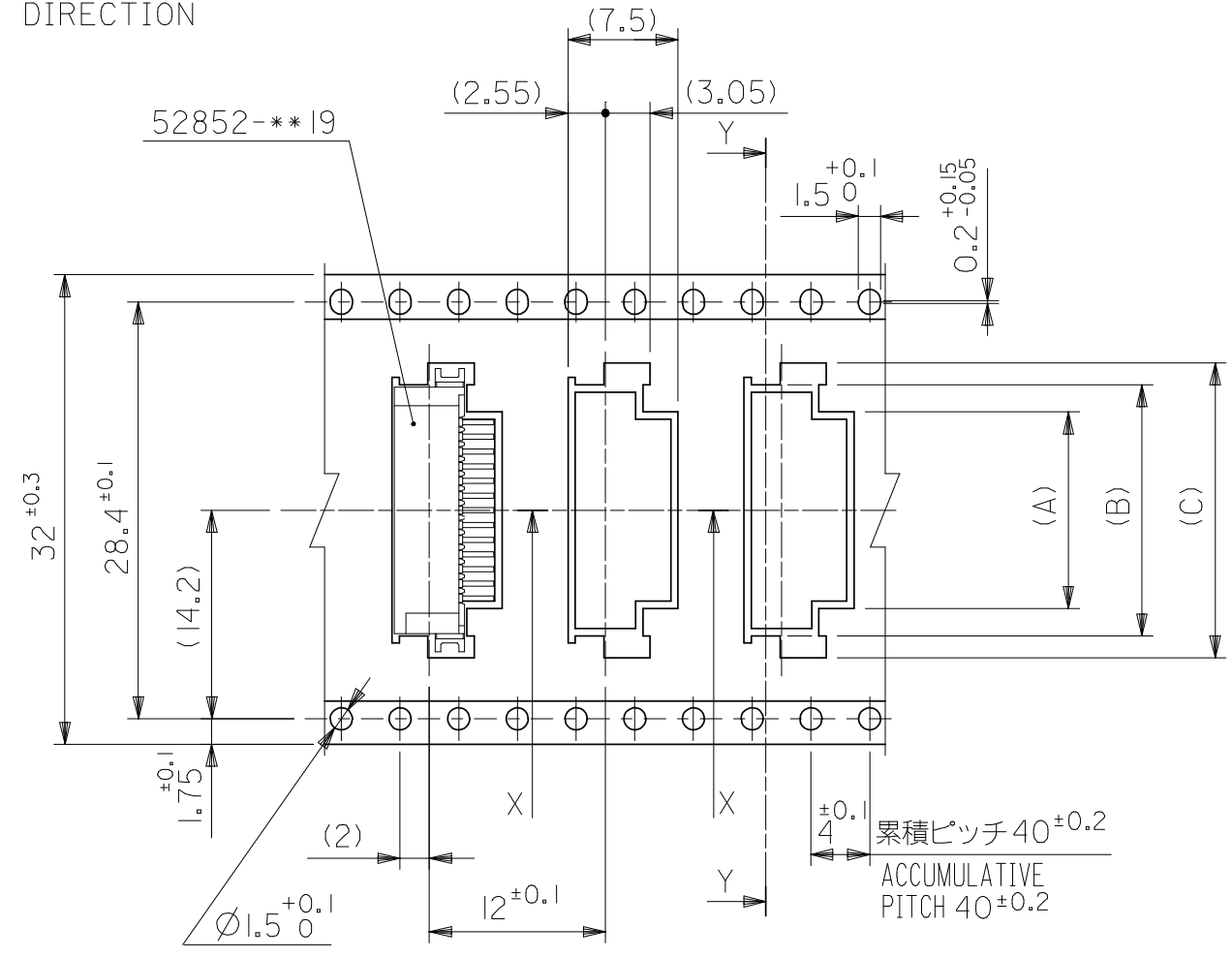
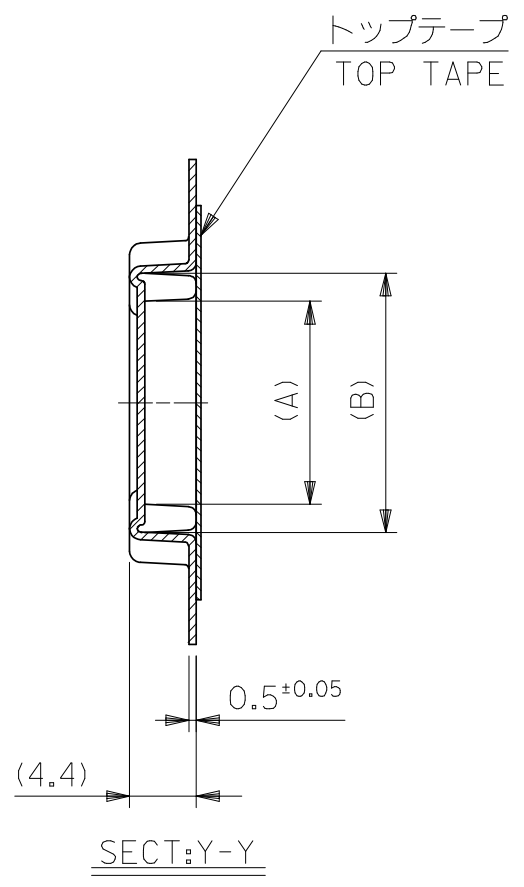


24mm幅キャリアテープ
24mm WIDTH CARRIER TAPE

| | | | | | | | |
|--------------------------------|------|------|------|------|------|--------------|------------|
| 24 | 29.4 | 25.4 | 18.1 | 15.1 | 11.4 | 52852-1170 | 11 |
| | | | 17.1 | 14.1 | 10.4 | 52852-1070 | 10 |
| | | | 16.1 | 13.1 | 9.4 | 52852-0970 | 9 |
| | | | 15.1 | 12.1 | 8.4 | 52852-0870 | 8 |
| | | | 14.1 | 11.1 | 7.4 | 52852-0770 | 7 |
| | | | 13.1 | 10.1 | 6.4 | 52852-0670 | 6 |
| | | | 12.1 | 9.1 | 5.4 | 52852-0570 | 5 |
| | | | 11.1 | 8.1 | 4.4 | 52852-0470 | 4 |
| キャリアテープ幅 CARRIER TAPE WIDTH | E | D | (C) | (B) | (A) | MATERIAL NO. | 極数 CKT. |

| | | | | | | | | | | | |
|---|--|--|--|--|--|--|------------------------|--|--|--|------------------|
| REVISED EC NO: J2008-1818 DRWN: MNABEI 2007/11/12 CHKD: M. ISOGAYA 2007/11/13 APPR: NUKITA 2007/11/26 | DESCRIPTION 10 UNDER ±0.2 10 OVER 30 UNDER ±0.25 30 OVER ±0.3 ANGULAR ±3 ° DRAFT WHERE APPLICABLE MUST REMAIN WITHIN DIMENSIONS | GENERAL TOLERANCES (UNLESS SPECIFIED) | | DIMENSION STYLE MM ONLY | | SCALE --- | DESIGN UNITS METRIC | MODEL NO. 52852-***70 THIRD ANGLE PROJECTION | | | |
| | | DRAWN BY M. NAGATA DATE '04/02/27 | | CHECKED BY K. TOJO DATE '04/02/27 | | TITLE 1.0 FPC CONN NON ZIF SMT RA BOTTOM CONTACT EMBSTP -LEAD FREE- | | MOLEX INCORPORATED | | | |
| | | APPROVED BY M. SASAO DATE '04/02/27 | | MATERIAL NO. SEE TABLE | | DOCUMENT NO. SD-52852-011 | | | | | SHEET NO. 2 OF 5 |
| | | SIZE A3 | | THIS DRAWING CONTAINS INFORMATION THAT IS PROPRIETARY TO MOLEX INCORPORATED AND SHOULD NOT BE USED WITHOUT WRITTEN PERMISSION | | | | | | | |
| | | REV A | | | | | | | | | |

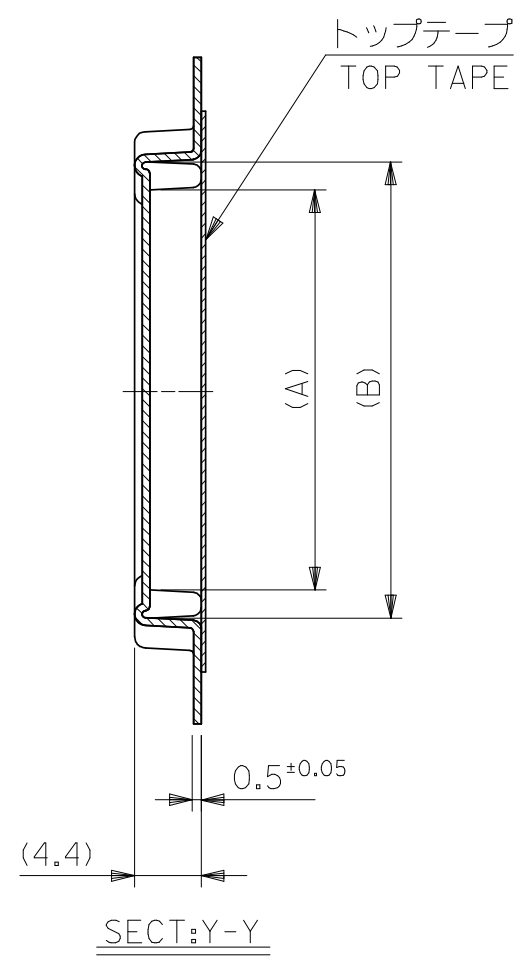
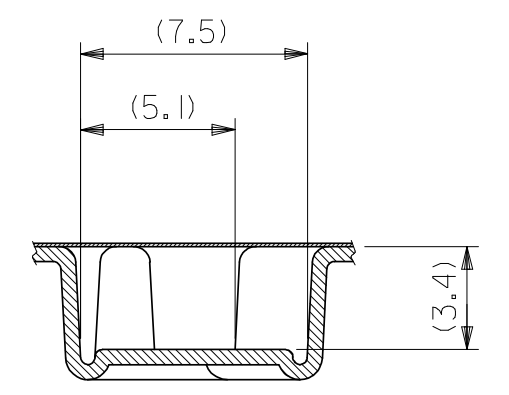
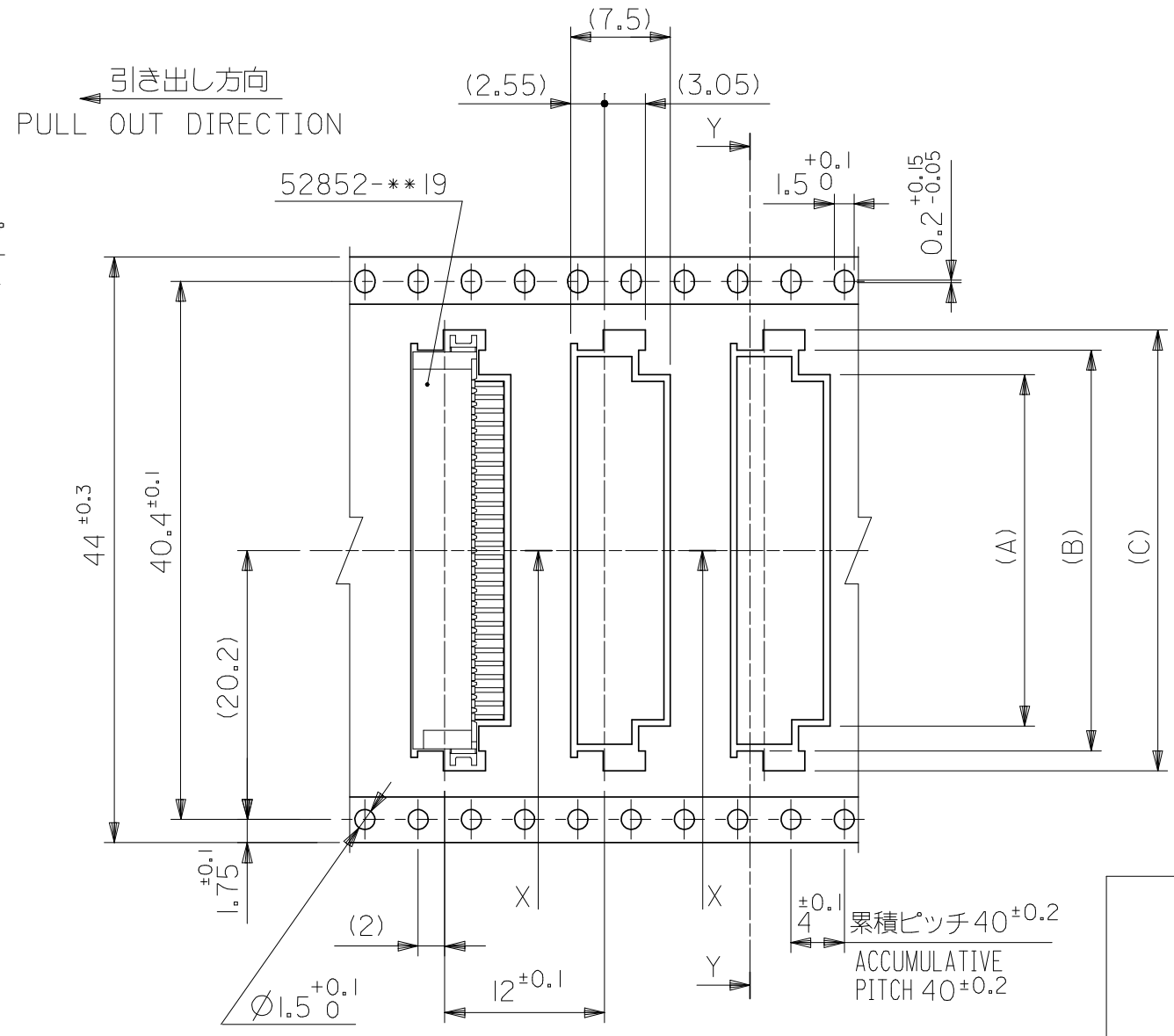
引き出し方向
PULL OUT DIRECTION



32mm幅キャリアテープ
32mm WIDTH CARRIER TAPE

| | | | | | | | |
|--------------------------------|------|------|------|------|------|--------------|------------|
| 32 | 37.5 | 33.5 | 23.1 | 20.1 | 16.4 | 52852-1670 | 16 |
| | | | 22.1 | 19.1 | 15.4 | 52852-1570 | 15 |
| | | | 21.1 | 18.1 | 14.4 | 52852-1470 | 14 |
| | | | 20.1 | 17.1 | 13.4 | 52852-1370 | 13 |
| | | | 19.1 | 16.1 | 12.4 | 52852-1270 | 12 |
| キャリアテープ幅 CARRIER TAPE WIDTH | E | D | (C) | (B) | (A) | MATERIAL NO. | 極数 CKT. |

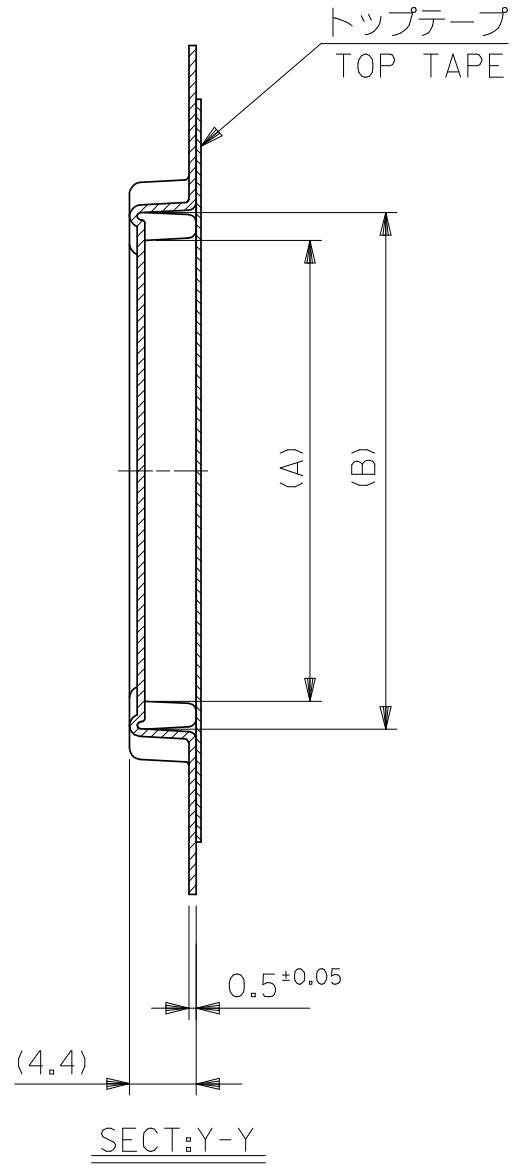
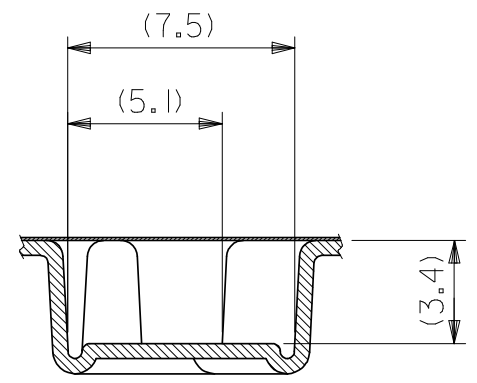
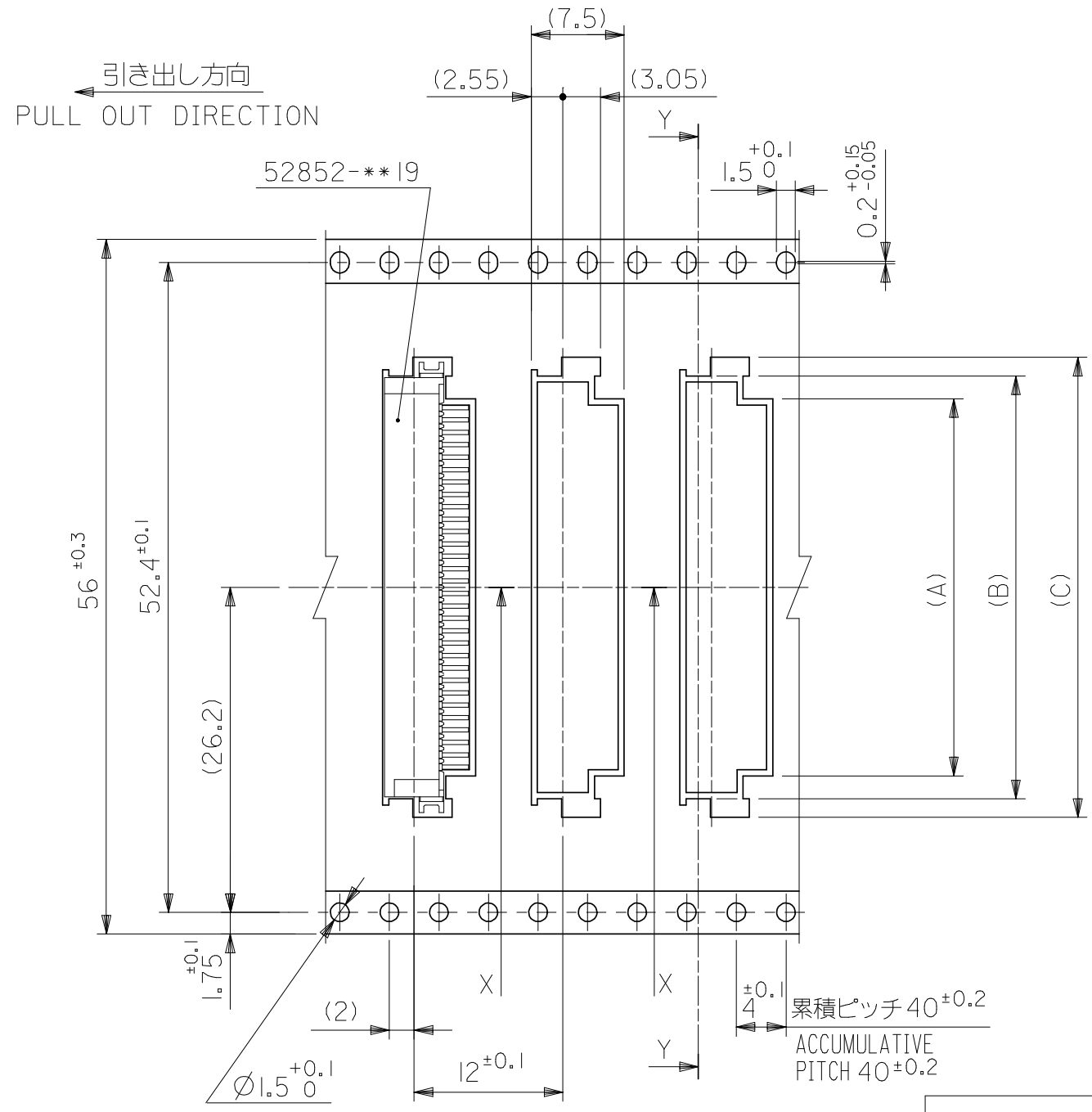
| | | | | | | | | |
|--|---|--|--------|--------------------------------------|--------------|--|---------------------------|--|
| REVISED EC NO: J2008-1818 DRWN: MNABEI 2007/11/12 CHKD: M. ISOGAYA 2007/11/13 APPR: NUKITA 2007/11/26 | DESCRIPTION GENERAL TOLERANCES (UNLESS SPECIFIED) | 10 UNDER | ± 0.2 | DIMENSION STYLE MM ONLY | SCALE --- | DESIGN UNITS METRIC | THIRD ANGLE PROJECTION | |
| | | 10 OVER 30 UNDER | ± 0.25 | | | | | |
| | | 30 OVER | ± 0.3 | | | | | |
| | | ANGULAR | ± 3 ° | DRAWN BY DATE M. NAGATA '04/02/27 | | TITLE 1.0 FPC CONN NON ZIF SMT RA BOTTOM CONTACT EMBSTP -LEAD FREE- | | |
| | | DRAFT WHERE APPLICABLE MUST REMAIN WITHIN DIMENSIONS | | CHECKED BY DATE K. TOJO '04/02/27 | | MOLEX INCORPORATED | | |
| A | REV | APPROVED BY DATE M. SASAO '04/02/27 | | MATERIAL NO. SEE TABLE | | DOCUMENT NO. SD-52852-011 | | |
| | | | | SIZE A3 | | SHEET NO. 3 OF 5 | | |
| THIS DRAWING CONTAINS INFORMATION THAT IS PROPRIETARY TO MOLEX INCORPORATED AND SHOULD NOT BE USED WITHOUT WRITTEN PERMISSION | | | | | | | | |



44mm幅キャリアテープ
44mm WIDTH CARRIER TAPE

| | | | | | | | |
|--------------------------------|------|------|------------|------|------|--------------|------------|
| 44 | 49.5 | 45.5 | 34.1 | 31.1 | 27.4 | 52852-2770 | 27 |
| | | | 33.1 | 30.1 | 26.4 | 52852-2670 | 26 |
| | | | 32.1 | 29.1 | 25.4 | 52852-2570 | 25 |
| | | | 31.1 | 28.1 | 24.4 | 52852-2470 | 24 |
| | | | 30.1 | 27.1 | 23.4 | 52852-2370 | 23 |
| | | | 29.1 | 26.1 | 22.4 | 52852-2270 | 22 |
| | | | 28.1 | 25.1 | 21.4 | 52852-2170 | 21 |
| | | | 27.1 | 24.1 | 20.4 | 52852-2070 | 20 |
| | | | 26.1 | 23.1 | 19.4 | 52852-1970 | 19 |
| | | | 25.1 | 22.1 | 18.4 | 52852-1870 | 18 |
| 24.1 | 21.1 | 17.4 | 52852-1770 | 17 | | | |
| キャリアテープ幅 CARRIER TAPE WIDTH | E | D | (C) | (B) | (A) | MATERIAL NO. | 極数 CKT. |

| | | | | | | | | |
|---|------------------|---------------------------------------|-------|------------------------------|--|--|--------------------------|---------------------------|
| REVISED EC NO: J2008-1818 DRWN: MNABEI 2007/11/12 CHKD: M. ISOGAYA 2007/11/13 APPR: NUKITA 2007/11/26 | DESCRIPTION A | GENERAL TOLERANCES (UNLESS SPECIFIED) | | DIMENSION STYLE MM ONLY | | SCALE --- | MODEL NO. 52852-***70 | |
| | | 10 UNDER | ±0.2 | DRAWN BY M. NAGATA | | DATE '04/02/27 | DESIGN UNITS METRIC | THIRD ANGLE PROJECTION |
| | | 10 OVER 30 UNDER | ±0.25 | CHECKED BY K. TOJO | | DATE '04/02/27 | | |
| | | 30 OVER | ±0.3 | APPROVED BY M. SASAO | | DATE '04/02/27 | | |
| | | ANGULAR ±3 ° | | MATERIAL NO. | | TITLE 1.0 FPC CONN NON ZIF SMT RA BOTTOM CONTACT EMBSTP -LEAD FREE- | | MOLEX INCORPORATED |
| DRAFT WHERE APPLICABLE MUST REMAIN WITHIN DIMENSIONS | | SEE TABLE | | DOCUMENT NO. SD-52852-011 | | SHEET NO. 4 OF 5 | | |
| THIS DRAWING CONTAINS INFORMATION THAT IS PROPRIETARY TO MOLEX INCORPORATED AND SHOULD NOT BE USED WITHOUT WRITTEN PERMISSION | | | | SIZE A3 | | | | |



56mm幅キャリアテープ
56mm WIDTH CARRIER TAPE

| | | | | | | | |
|--------------------------------|------|------|------|------|------|--------------|------------|
| 56 | 61.5 | 57.5 | 37.1 | 34.1 | 30.4 | 52852-3070 | 30 |
| | | | 36.1 | 33.1 | 29.4 | 52852-2970 | 29 |
| | | | 35.1 | 32.1 | 28.4 | 52852-2870 | 28 |
| キャリアテープ幅 CARRIER TAPE WIDTH | E | D | (C) | (B) | (A) | MATERIAL NO. | 極数 CKT. |

| | | | | | | | | | | | |
|---|---|--|-------|----------------------------|--|---------------------------|---|-----------------------|--|---------------------------|--|
| REVISED EC NO: J2008-1818 DRWN: MNABEI CHKD: MISO GAYA APPR: NUKITA | DESCRIPTION 2007/11/12 2007/11/13 2007/11/26 | GENERAL TOLERANCES (UNLESS SPECIFIED) | | DIMENSION STYLE MM ONLY | | SCALE --- | DESIGN UNITS METRIC | MODEL NO. 52852-***70 | | THIRD ANGLE PROJECTION | |
| | | 10 UNDER | ±0.2 | DRAWN BY M. NAGATA | | DATE '04/02/27 | TITLE 1.0 FPC CONN. N-ZIF R/A RA BOTTOM CONTACT EMBSTP -LEAD FREE- | | | | |
| | | 10 OVER 30 UNDER | ±0.25 | CHECKED BY K. TOJO | | DATE '04/02/27 | | | | | |
| | | 30 OVER | ±0.3 | APPROVED BY M. SASAO | | DATE '04/02/27 | MOLEX INCORPORATED | | | | |
| | | ANGULAR ±3 ° | | MATERIAL NO. SEE TABLE | | DOCUMENT NO. SD-52852-011 | | SHEET NO. 5 OF 5 | | | |
| DRAFT WHERE APPLICABLE MUST REMAIN WITHIN DIMENSIONS | | THIS DRAWING CONTAINS INFORMATION THAT IS PROPRIETARY TO MOLEX INCORPORATED AND SHOULD NOT BE USED WITHOUT WRITTEN PERMISSION | | | | | | | | | |



Компания «ЭлектроПласт» предлагает заключение долгосрочных отношений при поставках импортных электронных компонентов на взаимовыгодных условиях!

Наши преимущества:

- Оперативные поставки широкого спектра электронных компонентов отечественного и импортного производства напрямую от производителей и с крупнейших мировых складов;
- Поставка более 17-ти миллионов наименований электронных компонентов;
- Поставка сложных, дефицитных, либо снятых с производства позиций;
- Оперативные сроки поставки под заказ (от 5 рабочих дней);
- Экспресс доставка в любую точку России;
- Техническая поддержка проекта, помощь в подборе аналогов, поставка прототипов;
- Система менеджмента качества сертифицирована по Международному стандарту ISO 9001;
- Лицензия ФСБ на осуществление работ с использованием сведений, составляющих государственную тайну;
- Поставка специализированных компонентов (Xilinx, Altera, Analog Devices, Intersil, Interpoint, Microsemi, Aeroflex, Peregrine, Syfer, Eurofarad, Texas Instrument, Miteq, Cobham, E2V, MA-COM, Hittite, Mini-Circuits, General Dynamics и др.);

Помимо этого, одним из направлений компании «ЭлектроПласт» является направление «Источники питания». Мы предлагаем Вам помощь Конструкторского отдела:

- Подбор оптимального решения, техническое обоснование при выборе компонента;
- Подбор аналогов;
- Консультации по применению компонента;
- Поставка образцов и прототипов;
- Техническая поддержка проекта;
- Защита от снятия компонента с производства.



Как с нами связаться

Телефон: 8 (812) 309 58 32 (многоканальный)

Факс: 8 (812) 320-02-42

Электронная почта: org@eplast1.ru

Адрес: 198099, г. Санкт-Петербург, ул. Калинина, дом 2, корпус 4, литера А.