



AC/DC-sensitive Differential Current Sensors (DI-Sensors)

- Closed loop sensors with magnetic probe for highest accuracy and reliability
- Differential current range typically 30 to 300 mA
- Full load current to 50 A
- Single +5 V voltage supply
- Voltage output for direct connection at A/D – converters
- Automatic demagnetization of the sensor core for offset decrease
- Self-monitoring and test functions
- Measuring accuracy 1.5%
- Smallest temperature drift, highest long-term stability
- Metal screen against external fields
- Frequency range DC to 10 kHz
- Variants with passing through opening and with integrated primary conductors, with or without test winding
- Active sensors with integrated electronics
- Economical construction



Applications

Control devices with AC/DC-sensitive differential current sensors are used primarily in transformerless solar inverters. An important safety function of these

devices is the monitoring of the leakage current of the entire system from photovoltaic - modules and inverter against earth. A defective system can become dangerous for people or release fires. Before it comes so far, the inverter must disconnect from the grid. The leakage current contains DC and AC components. Therefore an AC/DC-sensitive monitoring unit is necessary. Their heart is the VAC differential current sensor, whose output voltage is evaluated by the control system of the solar inverter.

Generally protection devices with AC/DC-sensitive differential current sensors can be used everywhere, where flat or pulsating DC can develop, whose amount is permanently greater than zero. Further examples are power supplies producing high DC voltages or uninterruptable power supplies.

Variants of the VAC Sensors

It is both a type available with an opening for the primary conductor, as well as types with built-in primary conductors for PCB mounting. There are versions with two or four conductors for single and three phase systems.

The additional functions demagnetization, error signaling and internal test power are accessible through defined levels at the inputs / outputs V_{out} and V_{ref} .



Functional description, technical data, available Types

| Item no. | T60404-N4646- | | | |
|---|---|---|--|---|
| | ... X950 | ... X960 | ... X975 | ...X976 |
| Style | | | | |
| Dimensional diagram no. | 1 | 2 | 3 | 4 |
| Primary conductor style | opening | via PCB. Two conductors A= 6,2 mm ² for operating current | via PCB. Two conductors A= 6,2 mm ² for operating current, one conductor for external test current | via PCB. Four conductors A= 4,9 mm ² for operating current, one conductor for external test current |
| Properties | | | | |
| Supply voltage | 5 V | | | |
| Supply current | typ. 17 mA | | | |
| Maximum primary current | 50 A | | | |
| Nominal differential current | 300 mA | | | |
| Output voltage | reference voltage $\pm (0,74 \times \text{differential current} / 300 \text{ mA})$ | | | |
| Measuring range | $\pm 850 \text{ mA}$ | | | |
| Output voltage range | 0,5 V ... 4,5 V | | | |
| Reference voltage | 2,5 V reference voltage, internally generated or $V_{ref}=1.4$ to 3.5 from external source | | | |
| Frequency range | 0 ... 10 kHz, limited by internal low pass filter. An additional external filter with e.g. 5 kHz roll off frequency is recommended. | | | |
| Measuring error at $T_{amb} = 25^{\circ}\text{C}$ | < 1,5 % of nominal differential current | | | |
| Temperature drift -40 ... +85°C | < 0,1 mV/°C | | | |
| Response time (up to 90% of nominal differential current) | < 35 μs | | | |
| Isolation strength acc. to EN50178 (primary- and test current conductor vs. signal and supply voltage connections) - system voltage - working voltage | to be maintained by a proper insulation of the primary onductor | | 600 V 1.000 V | |
| Additional functions | | | | |
| Error condition - indicated by - criteria | - output voltage < 0,5 V - break or short circuit of the magnetic probe, supply voltage smaller 4 Volts, during the demagnetization cycle. | | | |
| Demagnetization of the Sensor core - triggered by - duration of cycle | - feeding the supply voltage <i>or</i> transition from <1 V to 2,5 V (normal voltage) at the reference voltage input, i.e. after test current cycle - 120 ms | | | |
| Internal DC test current for self test - triggered by - output signal at test current | - setting reference voltage to 0 V (<1 V) - $U_{DC} = +0,25 \text{ V}$ at $V_{ref} = 0 \text{ V}$. A possibly appearing primary current is superimposed | | | |



Maßbilder

Maßbild Nr. 1

Typen
T60404-N4646-X950



Toleranz der Stiftabstände
 $\pm 0,2\text{mm}$
(Tolerances grid distance)

Marking:
UL Mark
Excerpt from
Item no.
F DC, in which
F = Factory
DC = Date Code

Connections:
1 ... 4: 0,7 x 0,6 mm

Pin Assignments
1 $V_c +5\text{ V}$
2 GND
3 $V_{\text{ref In/Out}}$
4 V_{out}





Maßbild Nr. 2

Typ
T60404-N4646-X960



Toleranz der Stiftabstände $\pm 0,2\text{mm}$
(Tolerances grid distance)

Marking:
UL Mark
Excerpt from
Item no.
F DC, in which
F = Factory
DC = Date Code

Connections:
1 ... 4: $\text{Ø } 2,8\text{ mm}$
5 ... 8: $0,7 \times 0,6\text{ mm}$

Pin Assignments
1 ... 4: primary current
5 V_{out}
6 V_{ref}
7 GND
8 $V_c +5\text{ V}$



Maßbild Nr. 3

**Typ
T60404-N4646-X975**

Toleranz der Stiftabstände $\pm 0,3\text{mm}$
(Tolerances grid distance)

Prüfmaß
(test dimension)

Beschriftung
(marking)

DC = Date Code
F = Factory



Marking:

UL Mark
Excerpt from
Item no.
F DC, in which
F = Factory
DC = Date Code

Connections:

1 ... 4: $\varnothing 2,8\text{ mm}$
5 ... 8: $0,7 \times 0,6\text{ mm}$
9, 10: $\varnothing 0,8\text{ mm}$

Pin Assignments

1 ... 4: primary current
9, 10: test current
5 V_{out}
6 V_{ref}
7 GND
8 $V_c +5\text{ V}$



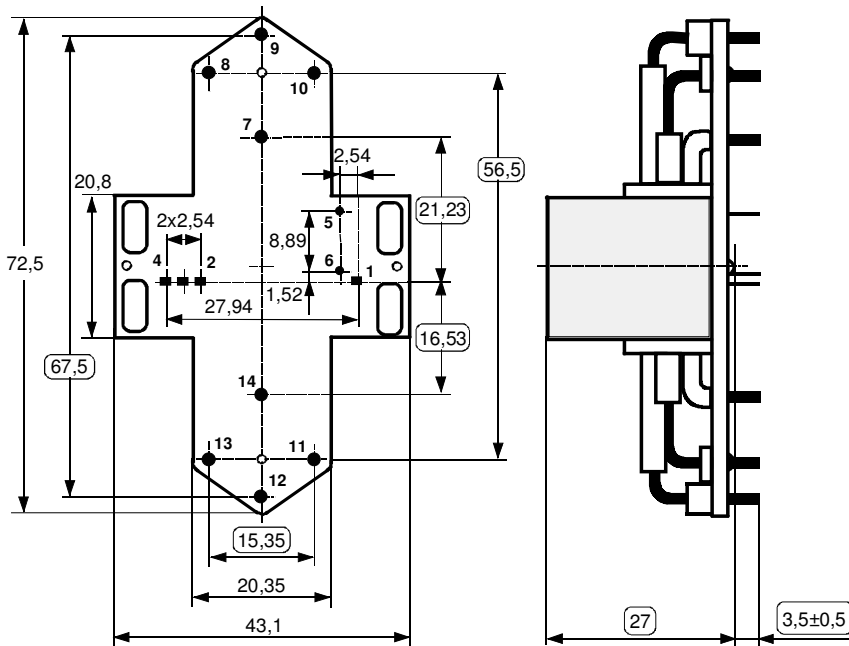
Maßbild Nr. 4

Typ
T60404-N4646-X976

Toleranz der Stiftabstände
Pin 1...6 = ±0,2mm
Pin 7...14 = ±0,3mm
(Tolerances grid distance)

DC =Date Code
F =Factory

○ Prüfmaß
(test dimension)



Beschriftung
(marking)



Marking:
UL Mark
Excerpt from
Item no.
F DC, in which
F = Factory
DC = Date Code

Connections:
1 ... 4: 0,6 x 0,7 mm
5 ... 6: Ø 0,8 mm
7 ... 14: Ø 2,5 mm

Pin Assignments
1 V_c +5 V
2 GND
3 V_{ref}
4 V_{out}
5, 6: test current
7 ... 14: primary current



VACUUMSCHMELZE GMBH & CO. KG

GRÜNER WEG 37
D-63450 HANAU
PHONE +49 6181 38 0
FACSIMILE +49 6181 38 2645
INFO@VACUUMSCHMELZE.COM
WWW.VACUUMSCHMELZE.COM

VAC SALES USA LLC

2935 DOLPHIN DRIVE
SUITE 102
42701 ELIZABETHTOWN KY / USA
PHONE +1 270 769-1333
FACSIMILE +1 270 765 3118
INFO-USA@VACUUMSCHMELZE.COM

VACUUMSCHMELZE SALES OFFICE SINGAPORE

61 KAKI BUKIT AVENUE 1 #04-16
SHUN LI INDUSTRIAL PARK
SINGAPORE 417943
TELEFON +65 6391 2600
FAX +65 6391 2601
VACSINGAPORE@VACUUMSCHMELZE.COM

VACUUMSCHMELZE GmbH & Co. KG

ADVANCED MATERIALS – THE KEY TO PROGRESS

Published by VACUUMSCHMELZE GmbH & Co. KG, Hanau
© VACUUMSCHMELZE 2012. All rights reserved.

As far as patents or other rights of third parties are concerned, liability is only assumed for products per se, not for applications, processes and circuits implemented within these products. The information describes the type of product and shall not be considered as assured characteristics. Terms of delivery and rights to change design reserved.



Компания «ЭлектроПласт» предлагает заключение долгосрочных отношений при поставках импортных электронных компонентов на взаимовыгодных условиях!

Наши преимущества:

- Оперативные поставки широкого спектра электронных компонентов отечественного и импортного производства напрямую от производителей и с крупнейших мировых складов;
- Поставка более 17-ти миллионов наименований электронных компонентов;
- Поставка сложных, дефицитных, либо снятых с производства позиций;
- Оперативные сроки поставки под заказ (от 5 рабочих дней);
- Экспресс доставка в любую точку России;
- Техническая поддержка проекта, помощь в подборе аналогов, поставка прототипов;
- Система менеджмента качества сертифицирована по Международному стандарту ISO 9001;
- Лицензия ФСБ на осуществление работ с использованием сведений, составляющих государственную тайну;
- Поставка специализированных компонентов (Xilinx, Altera, Analog Devices, Intersil, Interpoint, Microsemi, Aeroflex, Peregrine, Syfer, Eurofarad, Texas Instrument, Miteq, Cobham, E2V, MA-COM, Hittite, Mini-Circuits, General Dynamics и др.);

Помимо этого, одним из направлений компании «ЭлектроПласт» является направление «Источники питания». Мы предлагаем Вам помощь Конструкторского отдела:

- Подбор оптимального решения, техническое обоснование при выборе компонента;
- Подбор аналогов;
- Консультации по применению компонента;
- Поставка образцов и прототипов;
- Техническая поддержка проекта;
- Защита от снятия компонента с производства.



Как с нами связаться

Телефон: 8 (812) 309 58 32 (многоканальный)

Факс: 8 (812) 320-02-42

Электронная почта: org@eplast1.ru

Адрес: 198099, г. Санкт-Петербург, ул. Калинина, дом 2, корпус 4, литера А.