

NOTES: UNLESS OTHERWISE SPECIFIED

- CORNERS DRAWN SHARP TO BE R.005 MAXIMUM.
- EXTERIOR SURFACE TEXTURE TO BE LIGHT EDM FINISH. EQUIVALENT TO MT-11010.
- INTERIOR SURFACE TEXTURE TO BE: NONE.
- ALL INSIDE RADII .010R. UNLESS OTHERWISE SPECIFIED.
- ALL EXTERNAL DIMENSIONS AFFECTED BY THE DRAFT APPLY AT THE LARGE END OF THE FEATURE, AND ALL INTERNAL FEATURES AFFECTED BY THE DRAFT APPLY AT THE SMALL END OF THE FEATURE UNLESS OTHERWISE SPECIFIED.
- 1 DEGREE DRAFT IN THE DIRECTION OF PULL IS PERMISSIBLE UNLESS OTHERWISE SPECIFIED.
- THIS ENCLOSURE IS A PRESS FIT ASSEMBLY. FOR PERMANENT CLOSURE: A DROP OF ADHESIVE OR ULTRASONIC WELDING IS REQUIRED.
- MATERIAL / COLOR: ABS PLASTIC IS STANDARD IN BLACK OR WHITE. CUSTOM MATERIALS AND COLORS ARE AVAILABLE UPON REQUEST FOR QUOTE.
- PCB SIZES ARE RECOMMENDATIONS ONLY. FINAL SIZES AND VERIFICATION OF IT'S FIT ARE THE SOLE RESPONSIBILITY OF OEM.
- THE GATE REMNANT FOR THIS ENCLOSURE IS LOCATED IN THIS POSITION TO MINIMIZE THE COSMETIC IMPACT. IT IS HOWEVER VISIBLE AND VARIES IN SIZE / SHAPE. IT IS EASILY REMOVED WITH CLIPPERS. IF YOU WOULD LIKE NEW AGE TO CLIP THIS FOR YOU, PLEASE ASK YOUR SALES REPRESENTATIVE FOR A FREE QUOTE.
- THIS DRAWING IS BASED ON A SOLID MODEL, AND IS FURTHER DEFINED BY THE SOLID MODEL FILE.
- ALLOWABLE FLASH: 0.010 MAX.
- ALL EJECTOR PIN MARKS TO BE WITHIN 0.010" OF FLUSH, PROTRUDING OR BELOW FLUSH.
- TRIM GATE WITHIN 0.015" OF FLUSH.

**CONFIGURATION LEGEND**

- Tx = BOTH COVER AND BASE ARE TALL
- Fx = BOTH COVER AND BASE ARE SHORT (FLAT)
- Cx = ONLY THE COVER IS TALL (BASE IS FLAT)
- Bx = ONLY THE BASE IS TALL (COVER IS FLAT)
- xS = STANDARD ENCLOSURE (NO USB OPENING)
- xU = ENCLOSURE WITH MOLDED TYPE A USB OPENING

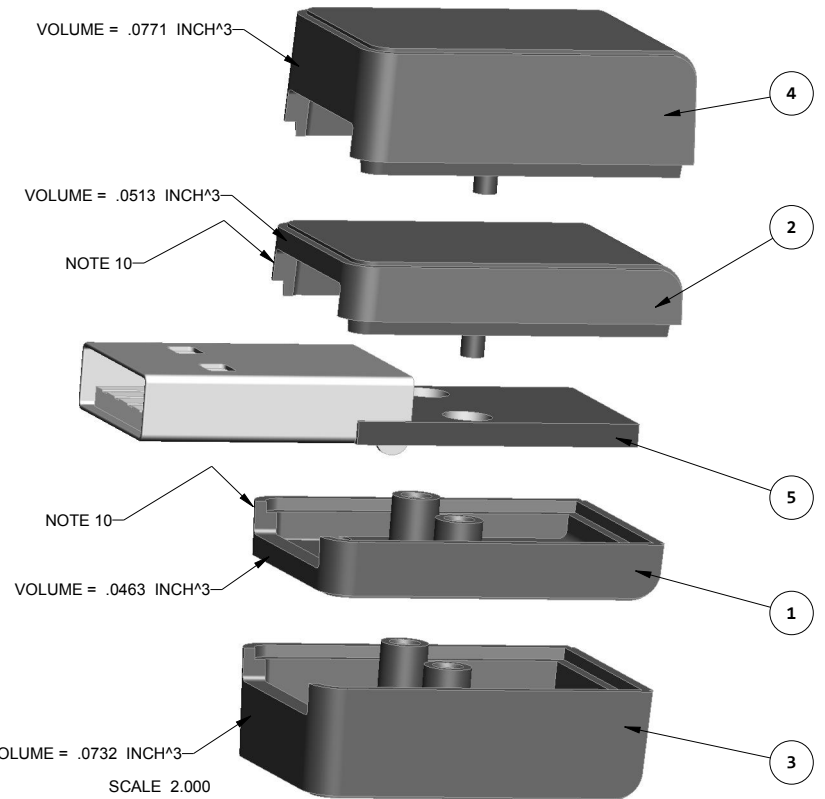
**090604(xx) CONFIGURATIONS**

|                                 | -TS | -TU | -FS | -FU | -CS | -CU | -BS | -BU |
|---------------------------------|-----|-----|-----|-----|-----|-----|-----|-----|
| 090604 COVER                    |     |     | 1   |     |     |     | 1   |     |
| 090604 COVER w/ TYPE A USB      |     |     |     | 1   |     |     |     | 1   |
| 090606 TALL COVER               | 1   |     |     |     | 1   |     |     |     |
| 090606 TALL COVER w/ TYPE A USB |     | 1   |     |     |     | 1   |     |     |
| 090604 BASE                     |     |     | 1   |     | 1   |     |     |     |
| 090604 BASE w/ TYPE A USB       |     |     |     | 1   |     | 1   |     |     |
| 090606 TALL BASE                | 1   |     |     |     |     |     | 1   |     |
| 090606 TALL BASE w/ TYPE A USB  |     | 1   |     |     |     |     |     | 1   |

| ITEM | DESCRIPTION              | MATERIAL    | COLOR             | QTY. |
|------|--------------------------|-------------|-------------------|------|
| 5    | 090604 PCB - REFERENCE   | .062" THICK | CUSTOMER SUPPLIED | 1    |
| 4    | 090606U COVER - STANDARD | ABS         | BLACK or WHITE    | 1    |
| 3    | 090606U BASE - STANDARD  | ABS         | BLACK or WHITE    | 1    |
| 2    | 090604U COVER - STANDARD | ABS         | BLACK or WHITE    | 1    |
| 1    | 090604U BASE - STANDARD  | ABS         | BLACK or WHITE    | 1    |

**BILL OF MATERIALS**

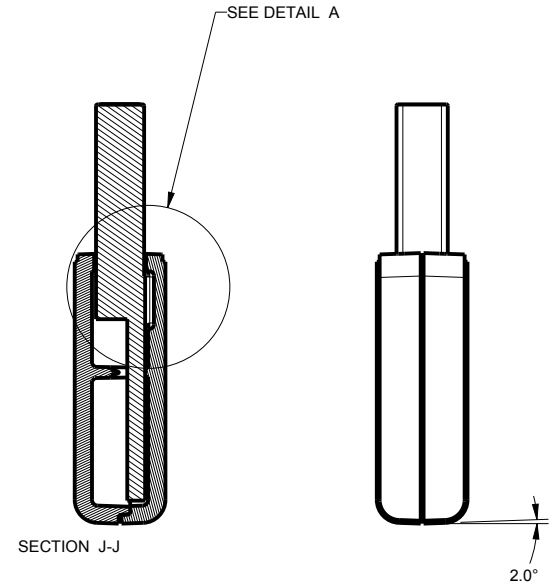
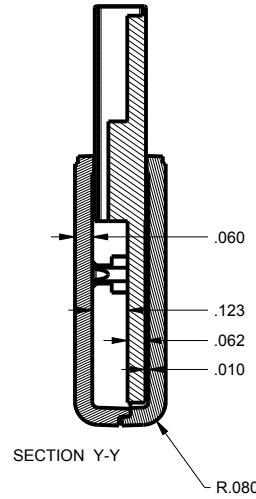
| R E V I S I O N |          |        |                            |           |          |
|-----------------|----------|--------|----------------------------|-----------|----------|
| REV.            | DRAWN BY | ECO No | DESCRIPTION                | DATE      | APPROVED |
| A               | M BOYER  | DR XXX | PRELIMINARY RELEASE        | 17-Sep-11 | D.C.     |
| B               | M BOYER  |        | ADD THICKER COMPONENTS     | 09-May-12 | D.C.     |
| C               | M BOYER  |        | ADD SECOND PRESS POST      | 15-May-12 | D.C.     |
| D               | M BOYER  |        | REDUCE WIDTH AND THICKNESS | 16-May-12 | D.C.     |
| E               | M BOYER  |        | ADD VIEWS AND NOTES        | 06-Feb-13 |          |



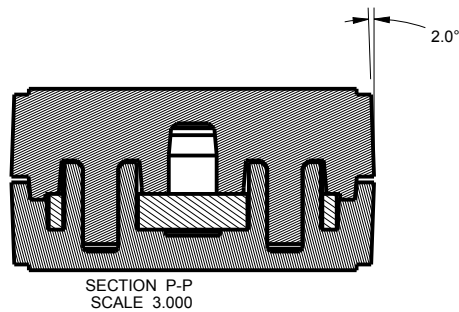
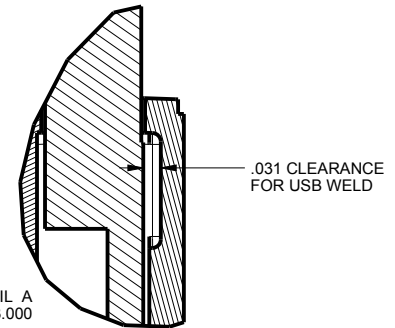
|   |   |   |              |
|---|---|---|--------------|
| <b>THIRD ANGLE PROJECTION</b><br><br>DO NOT SCALE DRAWING | TOLERANCES: UNLESS OTHERWISE SPECIFIED<br>DIMENSIONS ARE IN U.S. INCHES.<br>X.XX = .015 X.XXXX = .001<br>X.XXX = .010 X.X° = 1° | <b>NEW AGE ENCLOSURES</b><br>4330 Santa Fe Road San Luis Obispo, CA. 93401<br>ph. (805) 595-1310 fax (805) 595-1024<br><a href="http://www.newageenclosures.com">www.newageenclosures.com</a> |              |
|   | Customer's Part No: 090604  |   |              |
| APPROVAL BY DATE<br>CHECK<br>ENG.<br>SCALE AS NOTED       | DRAWN BY<br>M BOYER   | DATE<br>17-Sep-11   | SIZE<br>A    |
| DRAWING NAME<br>090604_RE                                 |   | SHEET<br>1 OF 7   | REV.DOC<br>E |

**EXPAND. USB - STANDARD**  
**090604XX-XXX**

# 090604FU ASSEMBLY



SCALE 1.500



TOLERANCES: UNLESS OTHERWISE SPECIFIED  
DIMENSIONS ARE IN U.S. INCHES.  
X.XX = .015 X.XXXX = .001  
X.XXX = .010 X.X° = 1°

NEW AGE ENCLOSURES  
Customer's Part No: 090604

|          |           |      |
|----------|-----------|------|
| APPROVAL | BY        | DATE |
| CHECK    |           |      |
| ENG.     |           |      |
| SCALE    | AS NOTED  |      |
| DRAWN BY | M BOYER   |      |
|          | 17-Sep-11 |      |

**NEW AGE ENCLOSURES**  
4330 Santa Fe Road San Luis Obispo, CA. 93401  
ph. (805) 595-1310 fax (805) 595-1024  
[www.newageenclosures.com](http://www.newageenclosures.com)

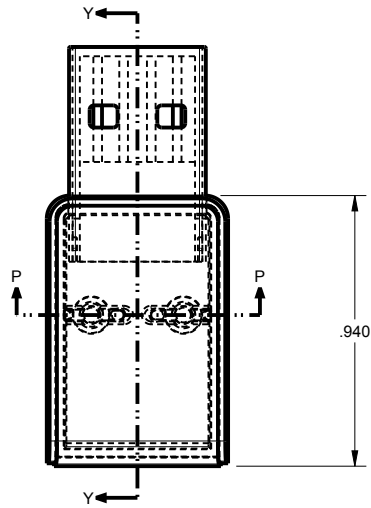
**EXPAND. USB - STANDARD**  
**090604XX-XXX**

|      |              |        |         |
|------|--------------|--------|---------|
| SIZE | DRAWING NAME | SHEET  | REV.DOC |
| A    | 090604_RE    | 2 OF 7 | E       |

# 090604TU ASSEMBLY



SCALE 1.500



SECTION P-P  
SCALE 3.000



SECTION Y-Y



TOLERANCES: UNLESS OTHERWISE SPECIFIED  
DIMENSIONS ARE IN U.S. INCHES.  
X.XX = .015 X.XXXX = .001  
X.XXX = .010 X.X° = 1°

NEW AGE ENCLOSURES

Customer's Part No: 090604

|          |          |      |
|----------|----------|------|
| APPROVAL | BY       | DATE |
| CHECK    |          |      |
| ENG.     |          |      |
| SCALE    | AS NOTED |      |

DRAWN BY  
M BOYER 17-Sep-11

**NEW AGE ENCLOSURES**

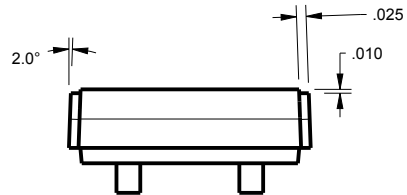
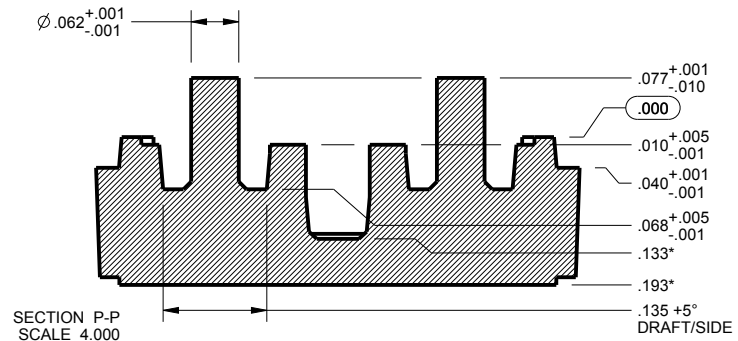
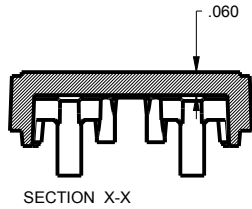
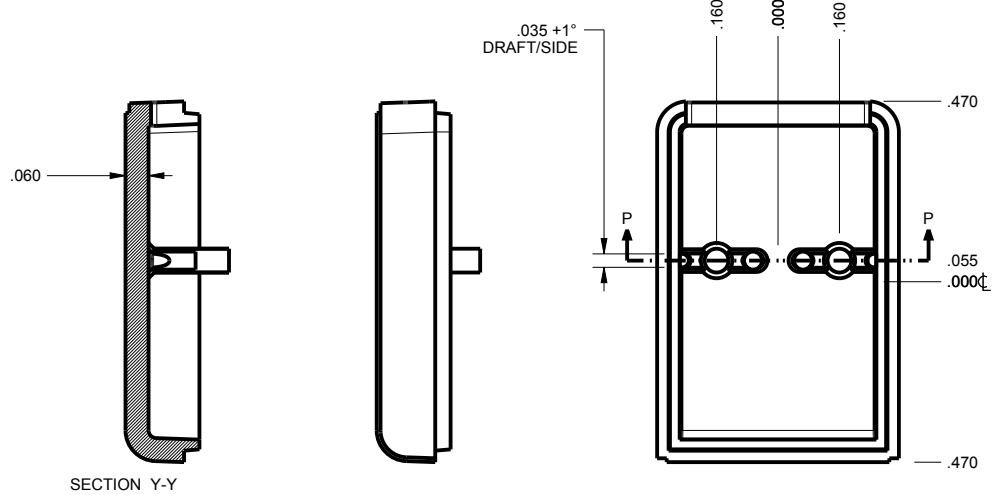
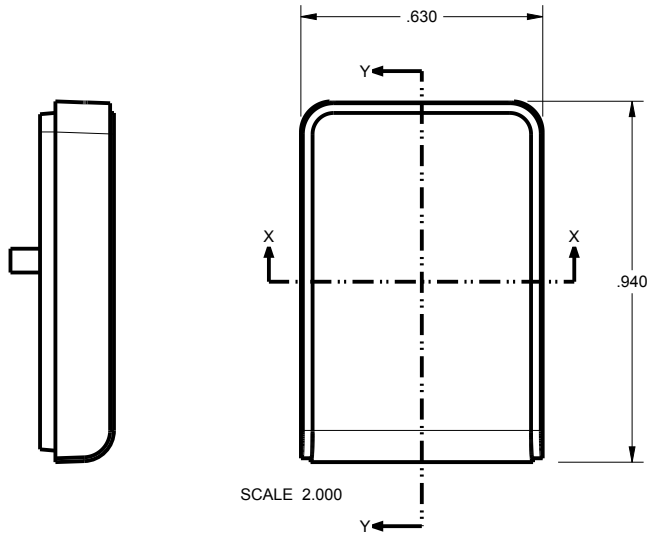
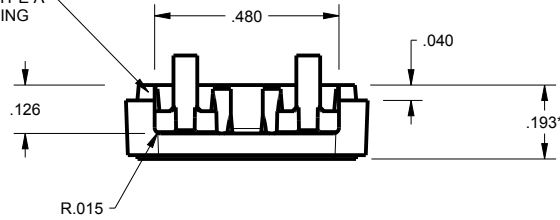
4330 Santa Fe Road San Luis Obispo, CA. 93401  
ph. (805) 595-1310 fax (805) 595-1024  
[www.newageenclosures.com](http://www.newageenclosures.com)

**EXPAND. USB - STANDARD**  
**090604XX-XXX**

|           |                           |                 |              |
|-----------|---------------------------|-----------------|--------------|
| SIZE<br>A | DRAWING NAME<br>090604_RE | SHEET<br>3 OF 7 | REV.DOC<br>E |
|-----------|---------------------------|-----------------|--------------|

# 090604 COVER

OPTIONAL TYPE A  
USB OPENING



\* = ADD .100" TO DIMENSION FOR 090606 (FAT) COVER.

TOLERANCES: UNLESS OTHERWISE SPECIFIED  
DIMENSIONS ARE IN U.S. INCHES.  
X.XX = .015 X.XXXX = .001  
X.XXX = .010 X.X° = 1°

NEW AGE ENCLOSURES

Customer's Part No: 090604

|          |          |      |
|----------|----------|------|
| APPROVAL | BY       | DATE |
| CHECK    |          |      |
| ENG.     |          |      |
| SCALE    | AS NOTED |      |

DRAWN BY  
M BOYER 17-Sep-11

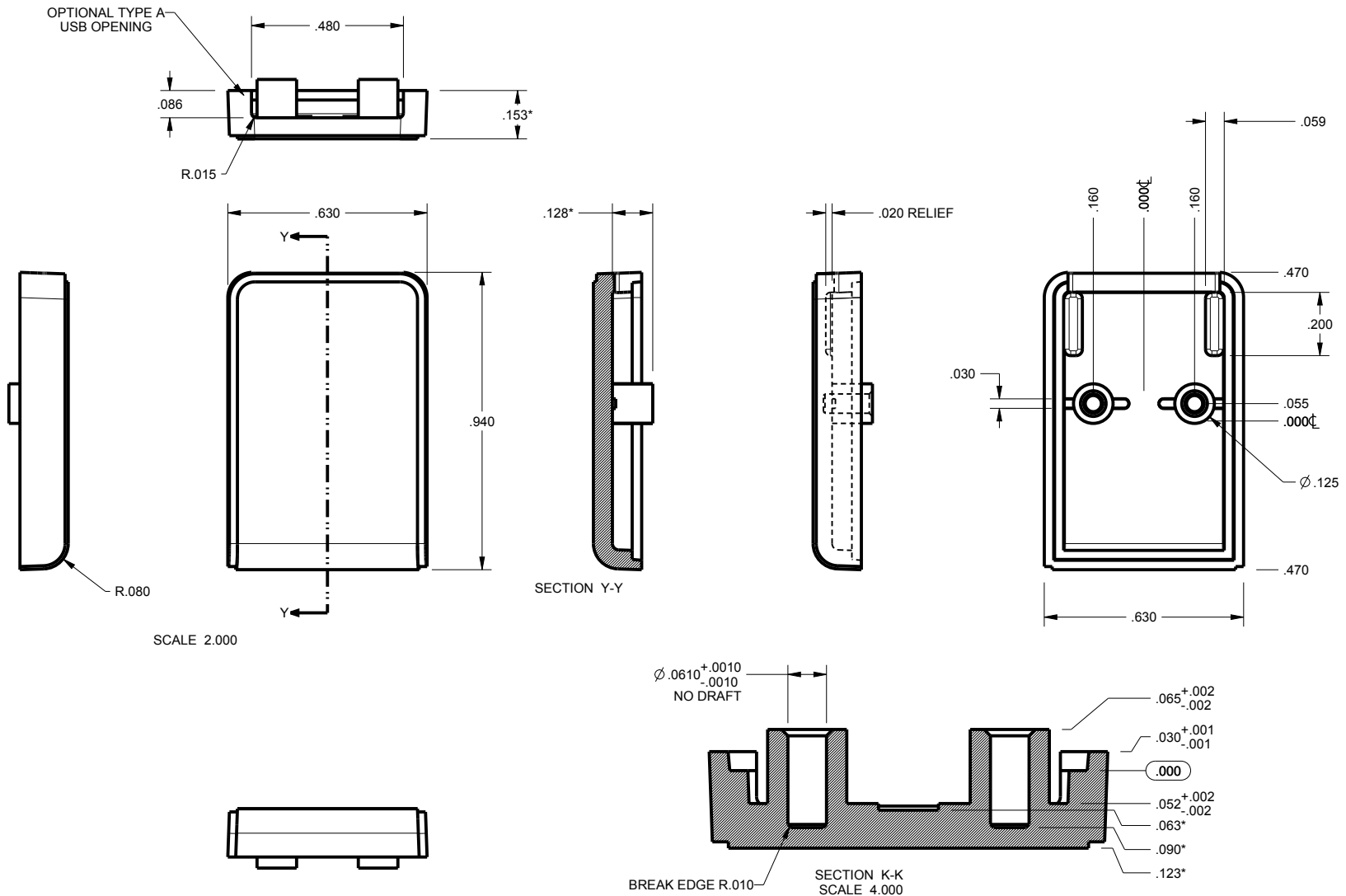
**NEW AGE ENCLOSURES**

4330 Santa Fe Road San Luis Obispo, CA. 93401  
ph. (805) 595-1310 fax (805) 595-1024  
[www.newageenclosures.com](http://www.newageenclosures.com)

**EXPAND. USB - STANDARD**  
**090604XX-XXX**

|           |                           |                 |              |
|-----------|---------------------------|-----------------|--------------|
| SIZE<br>A | DRAWING NAME<br>090604_RE | SHEET<br>4 OF 7 | REV.DOC<br>E |
|-----------|---------------------------|-----------------|--------------|

# 090604 BASE



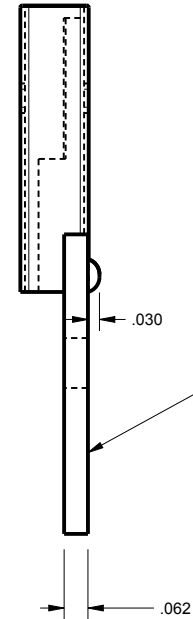
|   |           |  |  |
|---|-----------|--|--|
| TOLERANCES: UNLESS OTHERWISE SPECIFIED<br>DIMENSIONS ARE IN U.S. INCHES.<br>X.XX = .015 X.XXXX = .001<br>X.XXX = .010 X.X° = 1° |           | <b>NEW AGE ENCLOSURES</b>  |  |
| NEW AGE ENCLOSURES  |           | 4330 Santa Fe Road San Luis Obispo, CA. 93401<br>ph. (805) 595-1310 fax (805) 595-1024<br><a href="http://www.newageenclosures.com">www.newageenclosures.com</a> |  |
| Customer's Part No: 090604  |           |  |  |
| APPROVAL  | BY        | DATE   | EXPAND. USB - STANDARD<br>090604XX-XXX |
| CHECK   |           |  |  |
| ENG.  |           |  |  |
| SCALE   | AS NOTED  |  |  |
| DRAWN BY  | SIZE      | DRAWING NAME   | SHEET                                  |
| M BOYER   | A         | 090604_RE  | 5 OF 7                                 |
|   | 17-Sep-11 |  | REV.DOC                                |
|   |           |  | E                                      |

\* = ADD .100" TO DIMENSION FOR 090606 (FAT) BASE.

# 090604 PCB CUSTOMER SUPPLIED

PCB SIZES ARE RECOMMENDATIONS ONLY. FINAL  
SIZES AND VERIFICATION OF IT'S FIT ARE THE  
SOLE RESPONSIBILITY OF THE OEM.

REFERENCE ONLY  
USB PLUG CONNECTOR  
ACON ADVANCED CONNECTEK INC.  
PN. C-UAR70-00-00



SCALE 2.000

|  |          |  |  |         |
|--|----------|--|--|---------|
| TOLERANCES: UNLESS OTHERWISE SPECIFIED<br>DIMENSIONS ARE IN U.S. INCHES. |          | <b>NEW AGE ENCLOSURES</b>  |  |         |
| X.XX = .015    X.XXXX = .001<br>X.XXX = .010    X.X° = 1°                |          |  |  |         |
| NEW AGE ENCLOSURES   |          | 4330 Santa Fe Road    San Luis Obispo, CA. 93401<br>ph. (805) 595-1310    fax (805) 595-1024<br><a href="http://www.newageenclosures.com">www.newageenclosures.com</a> |  |         |
| Customer's Part No: 090604   |          |  |  |         |
| APPROVAL   | BY       | DATE   | <b>EXPAND. USB - STANDARD<br/>090604XX-XXX</b> |         |
| CHECK  |          |  |  |         |
| ENG.   |          |  |  |         |
| SCALE  | AS NOTED |  |  |         |
| DRAWN BY   | SIZE     | DRAWING NAME   | SHEET  | REV.DOC |
| M BOYER  | A        | 090604_RE  | 6 OF 7   | E       |

## 2nd OPERATION DETAILS

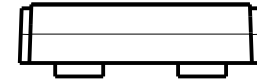
NEW AGE ENCLOSURES DELIVERS YOUR ENCLOSURE MARKET-READY WITH IN-HOUSE  
CNC MACHINING, PAD PRINTING, ASSEMBLY, AND FULFILLMENT.  
ALL SURFACES AND AREAS ARE AVAILABLE FOR CNC ALTERATION BY NEW AGE ENCLOSURES  
CALL (805) 595-1310 FOR PRICING AND SCHEDULE.  
THE INSIDE RADIUS OF ANY MACHINED FEATURES SHOULD BE NO SMALLER THAN .031"



090604 COVER  
SCALE 2.000



090604 BASE  
SCALE 2.000



**PXX-090604XX-XXX COVER - ABS, BLACK**

| STEP NO | DESCRIPTION | CUTTER        | FIXTURE | ORIENTATION | PROGRAM |
|---------|-------------|---------------|---------|-------------|---------|
| 1       | -           | T2 = .062" EM | -       | -           | -       |

**PXX-090604XX-XXX COVER - ABS, BLACK**

| STEP NO | DESCRIPTION | INK COLOR | CLICHE DESCRIPTION | CLICHE No. |
|---------|-------------|-----------|--------------------|------------|
| 2       | PAD PRINT   |           |                    | CL1010     |

TOLERANCES: UNLESS OTHERWISE SPECIFIED  
DIMENSIONS ARE IN U.S. INCHES.  
X.XX = .015 X.XXXX = .001  
X.XXX = .010 XX° = 1°

**NEW AGE ENCLOSURES**  
Customer's Part No: 090604

|          |           |      |
|----------|-----------|------|
| APPROVAL | BY        | DATE |
| CHECK    |           |      |
| ENG.     |           |      |
| SCALE    | AS NOTED  |      |
| DRAWN BY | 17-Sep-11 |      |
| M BOYER  |           |      |

### NEW AGE ENCLOSURES

4330 Santa Fe Road San Luis Obispo, CA. 93401  
ph. (805) 595-1310 fax (805) 595-1024  
[www.newageenclosures.com](http://www.newageenclosures.com)

|                               |              |        |          |  |  |
|-------------------------------|--------------|--------|----------|--|--|
| <b>EXPAND. USB - STANDARD</b> |              |        |          |  |  |
| <b>090604XX-XXX</b>           |              |        |          |  |  |
| SIZE                          | DRAWING NAME | SHEET  | REV. DOC |  |  |
| A                             | 090604_RE    | 7 OF 7 | E        |  |  |



Компания «ЭлектроПласт» предлагает заключение долгосрочных отношений при поставках импортных электронных компонентов на взаимовыгодных условиях!

Наши преимущества:

- Оперативные поставки широкого спектра электронных компонентов отечественного и импортного производства напрямую от производителей и с крупнейших мировых складов;
- Поставка более 17-ти миллионов наименований электронных компонентов;
- Поставка сложных, дефицитных, либо снятых с производства позиций;
- Оперативные сроки поставки под заказ (от 5 рабочих дней);
- Экспресс доставка в любую точку России;
- Техническая поддержка проекта, помощь в подборе аналогов, поставка прототипов;
- Система менеджмента качества сертифицирована по Международному стандарту ISO 9001;
- Лицензия ФСБ на осуществление работ с использованием сведений, составляющих государственную тайну;
- Поставка специализированных компонентов (Xilinx, Altera, Analog Devices, Intersil, Interpoint, Microsemi, Aeroflex, Peregrine, Syfer, Eurofarad, Texas Instrument, Miteq, Cobham, E2V, MA-COM, Hittite, Mini-Circuits, General Dynamics и др.);

Помимо этого, одним из направлений компании «ЭлектроПласт» является направление «Источники питания». Мы предлагаем Вам помощь Конструкторского отдела:

- Подбор оптимального решения, техническое обоснование при выборе компонента;
- Подбор аналогов;
- Консультации по применению компонента;
- Поставка образцов и прототипов;
- Техническая поддержка проекта;
- Защита от снятия компонента с производства.



#### Как с нами связаться

**Телефон:** 8 (812) 309 58 32 (многоканальный)

**Факс:** 8 (812) 320-02-42

**Электронная почта:** [org@eplast1.ru](mailto:org@eplast1.ru)

**Адрес:** 198099, г. Санкт-Петербург, ул. Калинина, дом 2, корпус 4, литера А.