



Global EMI Shielding Technology Center
12420 Race Track Rd., Tampa, Florida 33626
866.TECH.EMI (866.832.4364) † 813.855.6921 ‡ 813.855.3291

www.LeaderTechInc.com

**LEADER
TECH**
a HEICO company

EMI/RFI Board, Enclosure, Cable Shielding & Thermal Solutions

Tech Vent EMI/RFI Vent Panels - For Distribution Only

Leader Tech's low cost EMI vent panels are the perfect solution to shield openings for heating and ventilation against electro-magnetic interference. The Tech Vent EMI vent panels are constructed with aluminum honeycomb to maximize shielding effectiveness as well as airflow performance. These panels are manufactured with a rigid aluminum frame and pre-drilled to meet your mounting specifications. They utilize EMI gasketing as well as weather sealing material for grounding to an enclosure and providing environmental protection. The panels can also be plated in a variety of finishes to improve shielding, corrosion resistance, and galvanic compatibility.

MATERIAL CODE	HONEYCOMB	FRAME	PLATING	EMI GASKET
-94	ALUMINUM 5052, 1/4 CELL, 6.0 DENSITY (0.003 THICK) PER AMS-C-7438	0.062" ALUMINUM 5052 PER ASTM B209	CHROMATE FINISH PER ASTM B449, CLASS 2	Cu/Ni RIPSTOP FABRIC OVER PU FOAM CORE
-95	ALUMINUM 5052, 1/4 CELL, 6.0 DENSITY (0.003 THICK) PER AMS-C-7438	0.062" ALUMINUM 5052 PER ASTM B209	MATTE TIN PER ASTM B545, CLASS B	Cu/Ni RIPSTOP FABRIC OVER PU FOAM CORE
-96	ALUMINUM 5052, 1/4 CELL, 6.0 DENSITY (0.003 THICK) PER AMS-C-7438	0.062" ALUMINUM 5052 PER ASTM B209	NICKEL PER ASTM B689, CLASS 5	Cu/Ni RIPSTOP FABRIC OVER PU FOAM CORE

**LEADER
TECH**
a HEICO company

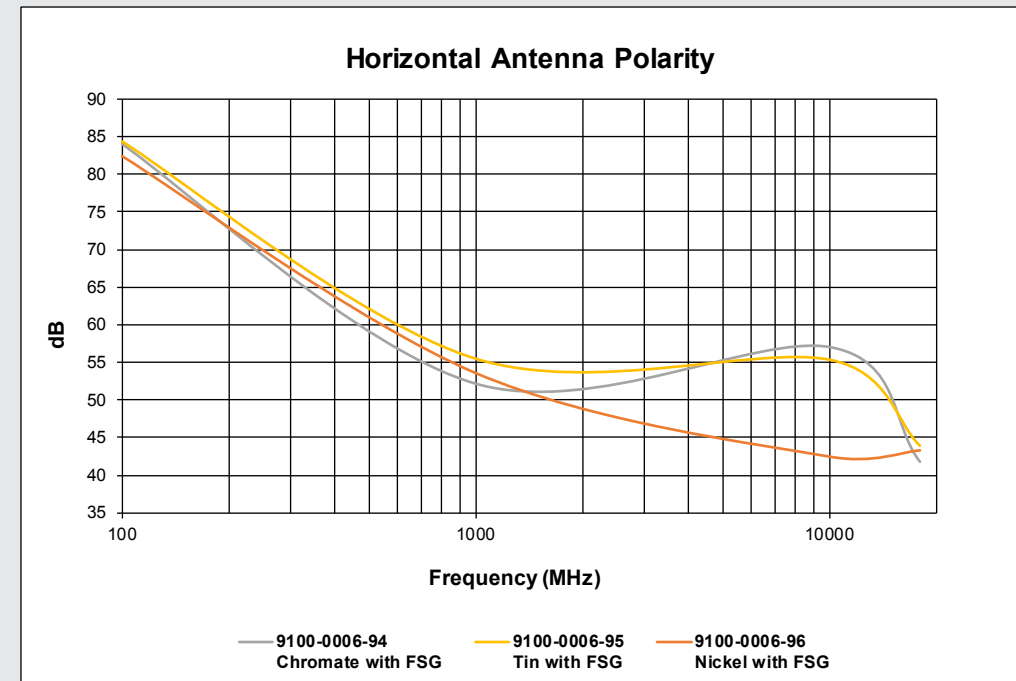
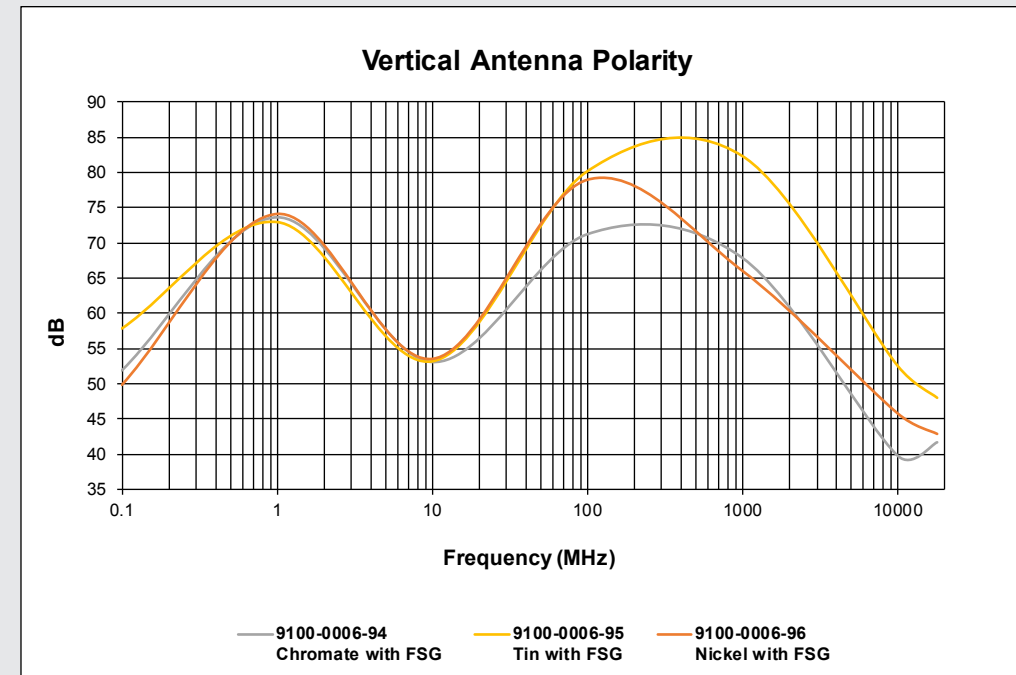
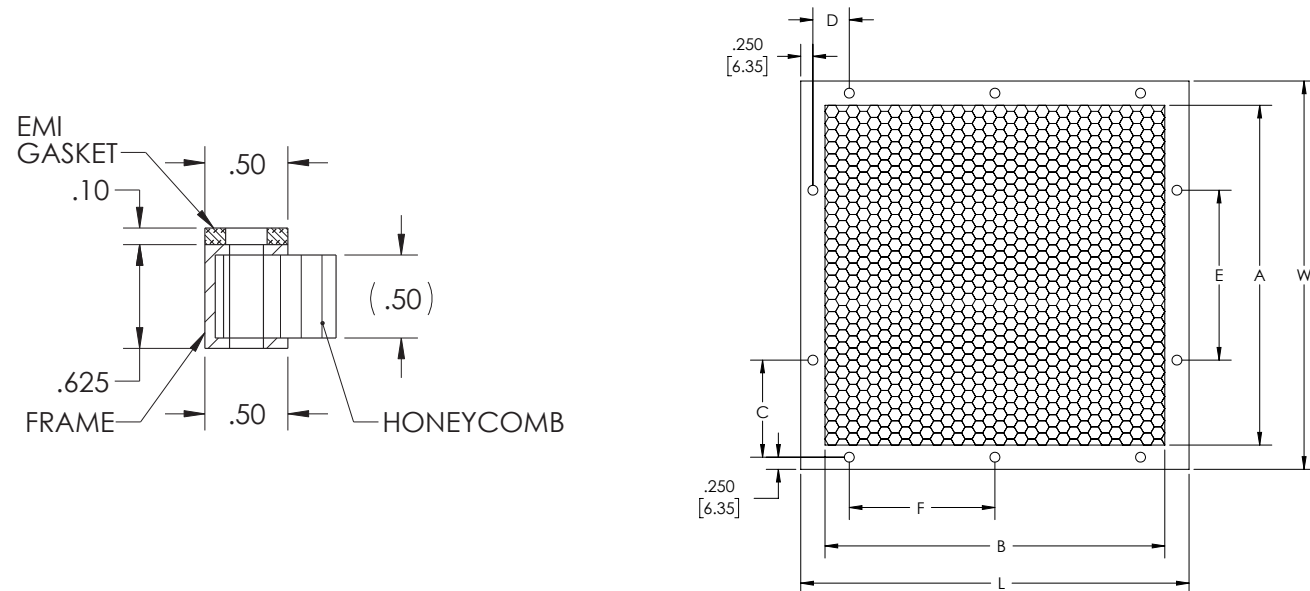
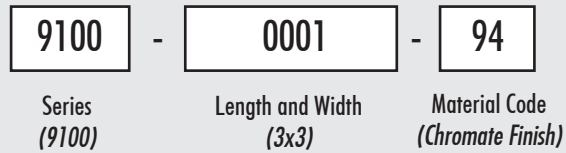
Global EMI Shielding Technology Center
12420 Race Track Rd., Tampa, Florida 33626
866.TECH.EMI (866.832.4364) † 813.855.6921 ‡ 813.855.3291

STATEMENT OF LIEU OF WARRANTY: All technical information and data in this document is based on tests and is believed to be accurate and reliable. Nevertheless, since the products described herein are not provided to conform with mutually accepted specifications and the use thereof is unknown, the manufacturer and seller of the products do not guarantee results, freedom from patent infringement, or suitability of the products for any application thereof. The manufacturer and seller of the products described in this document will provide all possible technical assistance and will replace any products proven defective. No statement or recommendations made by the manufacturer or seller not contained herein shall have any force of effect unless in conformity with an agreement signed by an officer of the seller and manufacturer. Product testing by the purchaser is recommended in order to confirm expected results.

Tech Vent EMI/RFI Vent Panels

9100-XXXX-XX		Honeycomb Area				Hole Spacing						No. of Fastening Holes						
Part Number	W	L	A	B	C	D	E	F	W Side	L Side	Black = inches Blue = mm							
9100-0001-XX	3.00	76.20	3.00	76.20	2.00	50.80	2.00	50.80	1.25	31.75	1.25	31.75	-	-	-	-	1	1
9100-0002-XX	4.00	101.60	4.00	101.60	3.00	76.20	3.00	76.20	1.75	44.45	1.75	44.45	-	-	-	-	1	1
9100-0003-XX	4.00	101.60	12.00	304.80	3.00	76.20	11.00	279.40	1.75	44.45	1.25	31.75	-	-	3.00	76.20	1	4
9100-0004-XX	5.00	127.00	5.00	127.00	4.00	101.60	4.00	101.60	2.25	57.15	0.75	19.05	-	-	3.00	76.20	1	2
9100-0005-XX	5.00	127.00	7.00	177.80	4.00	101.60	6.00	152.40	2.25	57.15	1.50	38.10	-	-	3.50	88.90	1	2
9100-0006-XX	6.00	152.40	6.00	152.40	5.00	127.00	5.00	127.00	1.00	25.40	1.00	25.40	3.50	88.90	3.50	88.90	2	2
9100-0007-XX	6.00	152.40	18.00	457.20	5.00	127.00	17.00	431.80	1.00	25.40	1.25	31.75	3.50	88.90	3.75	95.25	2	5
9100-0008-XX	7.00	177.80	7.00	177.80	6.00	152.40	6.00	152.40	1.50	38.10	1.50	38.10	3.50	88.90	3.50	88.90	2	2
9100-0009-XX	7.00	177.80	14.00	355.60	6.00	152.40	13.00	330.20	1.50	38.10	1.50	38.10	3.50	88.90	3.50	88.90	2	4
9100-0010-XX	8.00	203.20	8.00	203.20	7.00	177.80	7.00	177.80	2.00	50.80	0.75	19.05	3.50	88.90	3.00	76.20	2	3
9100-0011-XX	8.00	203.20	16.00	406.40	7.00	177.80	15.00	381.00	0.75	19.05	1.25	31.75	3.00	76.20	3.25	82.55	3	5
9100-0012-XX	10.00	254.00	10.00	254.00	9.00	228.60	9.00	228.60	1.25	31.75	1.25	31.75	3.50	88.90	3.50	88.90	3	3
9100-0013-XX	10.00	254.00	18.00	457.20	9.00	228.60	17.00	431.80	1.25	31.75	1.25	31.75	3.50	88.90	3.75	95.25	3	5
9100-0014-XX	12.00	304.80	12.00	304.80	11.00	279.40	11.00	279.40	1.25	31.75	1.25	31.75	3.00	76.20	3.00	76.20	4	4
9100-0015-XX	12.00	304.80	24.00	609.60	11.00	279.40	23.00	584.20	1.25	31.75	1.25	31.75	3.00	76.20	3.50	88.90	4	7

Part Number Example
for part : 9100-0001-94



Applications

- Fans
- Server Racks
- Ventilation openings
- MRI Room Shielding
- Military applications
- Telecommunications Hardware equipment

Material Characteristics

- Frames are made from aluminum extrusion
- Honeycomb is made from aluminum
- Low cost EMI Gaskets made with Fabric Shielding Gasket

Performance

- See attached test data

Availability

Custom sizes are available. Contact Leader Tech Engineering to discuss custom sizes. Visit our website to view our distribution partners.



www.LeaderTechInc.com

ISO 9001: 2015 CERTIFIED



Компания «ЭлектроПласт» предлагает заключение долгосрочных отношений при поставках импортных электронных компонентов на взаимовыгодных условиях!

Наши преимущества:

- Оперативные поставки широкого спектра электронных компонентов отечественного и импортного производства напрямую от производителей и с крупнейших мировых складов;
- Поставка более 17-ти миллионов наименований электронных компонентов;
- Поставка сложных, дефицитных, либо снятых с производства позиций;
- Оперативные сроки поставки под заказ (от 5 рабочих дней);
- Экспресс доставка в любую точку России;
- Техническая поддержка проекта, помощь в подборе аналогов, поставка прототипов;
- Система менеджмента качества сертифицирована по Международному стандарту ISO 9001;
- Лицензия ФСБ на осуществление работ с использованием сведений, составляющих государственную тайну;
- Поставка специализированных компонентов (Xilinx, Altera, Analog Devices, Intersil, Interpoint, Microsemi, Aeroflex, Peregrine, Syfer, Eurofarad, Texas Instrument, Miteq, Cobham, E2V, MA-COM, Hittite, Mini-Circuits, General Dynamics и др.);

Помимо этого, одним из направлений компании «ЭлектроПласт» является направление «Источники питания». Мы предлагаем Вам помощь Конструкторского отдела:

- Подбор оптимального решения, техническое обоснование при выборе компонента;
- Подбор аналогов;
- Консультации по применению компонента;
- Поставка образцов и прототипов;
- Техническая поддержка проекта;
- Защита от снятия компонента с производства.



Как с нами связаться

Телефон: 8 (812) 309 58 32 (многоканальный)

Факс: 8 (812) 320-02-42

Электронная почта: org@eplast1.ru

Адрес: 198099, г. Санкт-Петербург, ул. Калинина, дом 2, корпус 4, литера А.