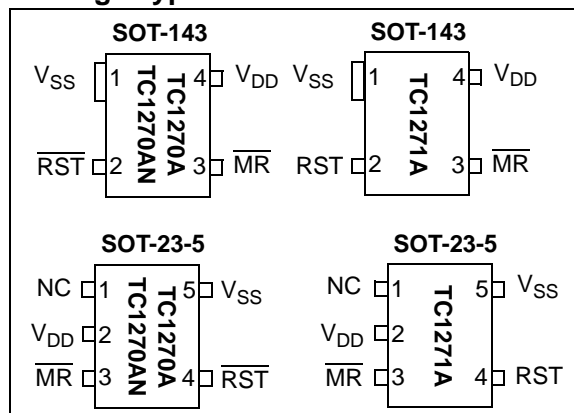


## Voltage Supervisor with Manual Reset Input

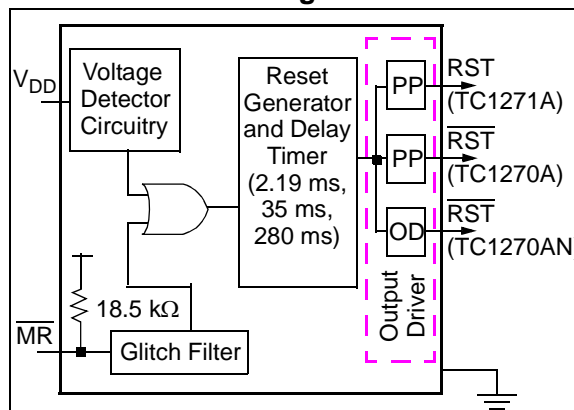
### Features:

- Precision Voltage Monitor
  - 2.63V, 2.93V, 3.08V, 4.38V and 4.63V Trip Points (Typical)
- Manual Reset Input
- Reset Time-Out Delay:
  - Standard: 280 ms (Typical)
  - Optional: 2.19 ms, and 35 ms (Typical)
- Power Consumption  $\leq 15 \mu\text{A}$  max
- No glitches on outputs during power-up
- Active Low Output Options:
  - Push-Pull Output and Open-Drain Output
- Active High Output Option:
  - Push-Pull Output
- Replacement for (Specification compatible with):
  - TC1270, TC1271
  - TCM811, TCM812
- Fully Static Design
- Low-Voltage Operation (1.0V)
- ESD Protection:
  - $\geq 4$  kV Human Body Model (HBM)
  - $\geq 400\text{V}$  Machine Model (MM)
- Extended (E) Temperature Range:
  - $-40^\circ\text{C}$  to  $+125^\circ\text{C}$
- Package Options:
  - 4-Lead SOT-143
  - 5-Lead SOT-23
  - Pb-free Device

### Package Types



### Functional Block Diagram



### Device Features

Device	Output		Reset Delay (ms) (Typ) <sup>(3)</sup>	Reset Trip Point (V) <sup>(3)</sup>	Voltage Range (V)	Temperature Range	Packages	Comment
	Type	Active Level						
TC1270A	Push-Pull	Low	2.19, 35, 280 <sup>(1)</sup>	4.63, 4.38, 3.08, 2.93, 2.63 <sup>(4)</sup>	1.0V to 5.5V	$-40^\circ\text{C}$ to $+125^\circ\text{C}$	SOT-143 <sup>(2)</sup> , SOT-23-5	Replaces TC1270 and TCM811
TC1270AN	Open-Drain	Low					SOT-143 <sup>(2)</sup> , SOT-23-5	New Option
TC1271A	Push-Pull	High					SOT-143 <sup>(2)</sup> , SOT-23-5	Replaces TC1271 and TCM812

- Note 1:** The 280 ms Reset delay time-out is compatible with the TC1270, TC1271, TCM811 and TCM812 devices.  
**Note 2:** The SOT-143 package is compatible with the TC1270, TC1271, TCM811 and TCM812 devices.  
**Note 3:** Custom Reset trip points and Reset delays available, contact your local Microchip sales office.  
**Note 4:** The TC1270/1 and TCM811/12 1.75V trip point option is not supported.

# TC1270A/70AN/71A

---

NOTES:

## 1.0 ELECTRICAL CHARACTERISTICS

### Absolute Maximum Ratings †

Supply Voltage ( $V_{DD}$ to $V_{SS}$ ) .....	+7.0V
Input Current, $V_{DD}$ .....	10 mA
Output Current, RESET, Reset .....	10 mA
Voltage on all inputs and outputs w.r.t. $V_{SS}$ .....	-0.6V to ( $V_{DD} + 1.0V$ )
Storage Temperature Range .....	-65°C to +150°C
Operating Temperature Range .....	-40°C to +125°C
Maximum Junction Temperature, $T_S$ .....	150°C
ESD protection on all pins	
Human Body Model .....	≥ 4 kV
Machine Model .....	≥ 400V

† **Notice:** Stresses above those listed under “Absolute Maximum Ratings” may cause permanent damage to a device. The absolute maximum values are merely stress ratings – functional operation of a device at those, or any other conditions above those indicated in the operational listing of these specifications, is not implied. Exposure to absolute maximum rating conditions for extended periods may affect device reliability.

### ELECTRICAL CHARACTERISTICS

**Electrical Characteristics:** Unless otherwise noted,  $V_{DD} = 5V$  for L/M versions,  $V_{DD} = 3.3V$  for T/S versions,  $V_{DD} = 3V$  for R version,  $T_A = -40^\circ C$  to  $+125^\circ C$ . Typical values are at  $T_A = +25^\circ C$ .

Parameter	Sym	Min	Typ <sup>(1)</sup>	Max	Units	Test Conditions
Operating Voltage Range	$V_{DD}$	1.0	—	5.5	V	
Supply Current	$I_{DD}$	—	7	15	$\mu A$	$V_{DD} > V_{TRIP}$ for L/M/R/S/T, $V_{DD} = 5.5V$
		—	4.75	10	$\mu A$	$V_{DD} > V_{TRIP}$ for R/S/T, $V_{DD} = 3.6V$
		—	10	15	$\mu A$	$V_{DD} < V_{TRIP}$ for L/M/R/S/T
Reset Trip Point Threshold <sup>(3)</sup>	$V_{TRIP}$	4.54	4.63	4.72	V	TC127xAAL: $T_A = +25^\circ C$
		4.50	—	4.75	V	$T_A = -40^\circ C$ to $+125^\circ C$
		4.30	4.38	4.46	V	TC127xAM: $T_A = +25^\circ C$
		4.25	—	4.50	V	$T_A = -40^\circ C$ to $+125^\circ C$
		3.03	3.08	3.14	V	TC127xAT: $T_A = +25^\circ C$
		3.00	—	3.15	V	$T_A = -40^\circ C$ to $+125^\circ C$
		2.88	2.93	2.98	V	TC127xAS: $T_A = +25^\circ C$
		2.85	—	3.00	V	$T_A = -40^\circ C$ to $+125^\circ C$
		2.72	2.77	2.82	V	TC127xA: <sup>(5)</sup> $T_A = +25^\circ C$
		2.70	—	2.85	V	$T_A = -40^\circ C$ to $+125^\circ C$
		2.58	2.63	2.68	V	TC127xAR: $T_A = +25^\circ C$
2.55	—	2.70	V	$T_A = -40^\circ C$ to $+125^\circ C$		

- Note 1:** Data in the Typical (“Typ”) column is at 5V, +25°C, unless otherwise stated.
- 2:** RST output for TC1270A and TC1270AN, RST output for TC1271A.
- 3:** TC127XA refers to the TC1270A, TC1270AN or TC1271A device.
- 4:** Hysteresis is within the  $V_{TRIP(MIN)}$  to  $V_{TRIP(MAX)}$  window.
- 5:** Custom-ordered voltage trip point. Minimum order volume requirement.
- 6:** This specification allows this device to be used in PIC<sup>®</sup> microcontroller applications that require the In-Circuit Serial Programming™ (ICSP™) feature (see device-specific programming specifications for voltage requirements). The total time that the RST pin can be above the maximum device operational voltage (5.5V) is 100s. Current into the RST pin should be limited to 2 mA. It is recommended that the device operational temperature be maintained between 0°C to +70°C (+25°C preferred). For additional information, refer to [Figure 2-41](#).

# TC1270A/70AN/71A

## ELECTRICAL CHARACTERISTICS (CONTINUED)

**Electrical Characteristics:** Unless otherwise noted,  $V_{DD} = 5V$  for L/M versions,  $V_{DD} = 3.3V$  for T/S versions,  $V_{DD} = 3V$  for R version,  $T_A = -40^{\circ}C$  to  $+125^{\circ}C$ . Typical values are at  $T_A = +25^{\circ}C$ .

Parameter	Sym	Min	Typ <sup>(1)</sup>	Max	Units	Test Conditions	
Reset Threshold Tempco		—	±30	—	ppm/°C		
Reset Trip Point Hysteresis <sup>(1)</sup>	$V_{HYS}$	—	0.3	—	%	Percentage of $V_{TRIP}$ Voltage	
MR Input High Threshold	$V_{IH}$	2.3	—	—	V	$V_{DD} > V_{TRIP(MAX)}$ , L/M only	
		$0.7 V_{DD}$	—	—	V	$V_{DD} > V_{TRIP(MAX)}$ , R/S/T only	
MR Input Low Threshold	$V_{IL}$	—	—	0.8	V	$V_{DD} > V_{TRIP(MAX)}$ , L/M only	
		—	—	$0.25 V_{DD}$	V	$V_{DD} > V_{TRIP(MAX)}$ , R/S/T only	
MR Pull-up Resistance		10	18.5	40	kΩ		
Open-Drain High Voltage on Output	$V_{ODH}$	—	—	13.5	V	Open-Drain Output pin only. $V_{DD} = 3.0V$ , Time voltage $> 5.5$ applied $\leq 100s$ . Current into pin limited to 2 mA $+25^{\circ}C$ operation recommended <sup>(6)</sup>	
Reset Output Voltage Low <sup>(2)</sup>	TC1270A/TC1270AN	$V_{OL}$	—	—	0.3	V	R/S/T only, $I_{SINK} = 1.2 mA$ , $V_{DD} = V_{TRIP(MIN)}$
	TC1271A		—	—	0.3	V	R/S/T only, $I_{SINK} = 1.2 mA$ , $V_{DD} = V_{TRIP(MAX)}$
	TC1270A/TC1270AN		—	—	0.4	V	L/M only, $I_{SINK} = 3.2 mA$ , $V_{DD} = V_{TRIP(MIN)}$
	TC1271A		—	—	0.3	V	L/M only, $I_{SINK} = 3.2 mA$ , $V_{DD} = V_{TRIP(MAX)}$
	TC1270A/TC1270AN		—	—	0.3	V	L/M only, $I_{SINK} = 50 \mu A$ , $V_{DD} > 1.0V$
Reset Output Voltage High <sup>(2)</sup>	TC1270A	$V_{OH}$	$0.8 V_{DD}$	—	—	V	R/S/T only, $I_{SOURCE} = 500 \mu A$ , $V_{DD} = V_{TRIP(MAX)}$
	TC1270A		$V_{DD} - 1.5$	—	—	V	L/M only, $I_{SOURCE} = 800 \mu A$ , $V_{DD} = V_{TRIP(MAX)}$
	TC1271A		$0.8 V_{DD}$	—	—	V	$I_{SOURCE} = 500 \mu A$ , $V_{DD} \leq V_{TRIP(MIN)}$
Input Leakage Current	$I_{IL}$	—	—	±1	μA	$V_{PIN} = V_{DD}$	
Open-Drain RST Output Leakage	$I_{OLOD}$	—	—	1	μA	Open-Drain configuration only.	
Capacitive Loading Specification on Output Pins	$C_{IO}$	—	—	50	pF		

**Note 1:** Data in the Typical ("Typ") column is at 5V,  $+25^{\circ}C$ , unless otherwise stated.

**2:** RST output for TC1270A and TC1270AN, RST output for TC1271A.

**3:** TC127XA refers to the TC1270A, TC1270AN or TC1271A device.

**4:** Hysteresis is within the  $V_{TRIP(MIN)}$  to  $V_{TRIP(MAX)}$  window.

**5:** Custom-ordered voltage trip point. Minimum order volume requirement.

**6:** This specification allows this device to be used in PIC<sup>®</sup> microcontroller applications that require the In-Circuit Serial Programming™ (ICSP™) feature (see device-specific programming specifications for voltage requirements). The total time that the RST pin can be above the maximum device operational voltage (5.5V) is 100s. Current into the RST pin should be limited to 2 mA. It is recommended that the device operational temperature be maintained between  $0^{\circ}C$  to  $+70^{\circ}C$  ( $+25^{\circ}C$  preferred). For additional information, refer to [Figure 2-41](#).

## 1.1 AC CHARACTERISTICS

### 1.1.1 TIMING PARAMETER SYMBOLOGY

The timing parameter symbols have been created following one of the following formats:

1. TppS2ppS

2. TppS

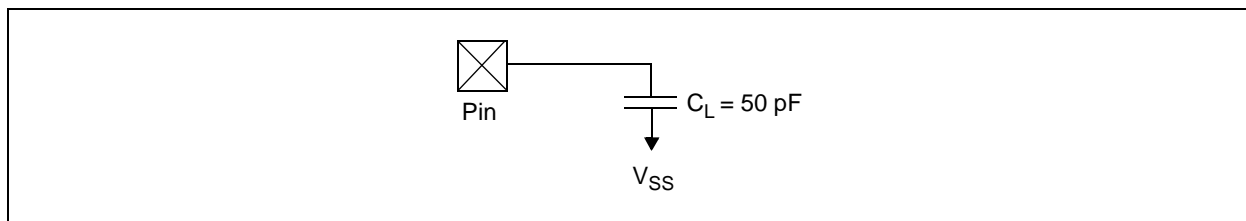
<p><b>T</b></p> <p>F      Frequency</p> <p>E      Error</p>	<p><b>T</b>      Time</p>
---	---------------------------

Lowercase letters (pp) and their meanings:

<p><b>pp</b></p> <p>io      Input or Output pin</p> <p>rx      Receive</p> <p>bitclk   RX/TX BITCLK</p> <p>drt      Device Reset Timer</p>	<p>osc      Oscillator</p> <p>tx      Transmit</p> <p>RST      Reset</p>
--	--

Uppercase letters and their meanings:

<p><b>S</b></p> <p>F      Fall</p> <p>H      High</p> <p>I      Invalid (High-impedance)</p> <p>L      Low</p>	<p>P      Period</p> <p>R      Rise</p> <p>V      Valid</p> <p>Z      High-impedance</p>
--	--

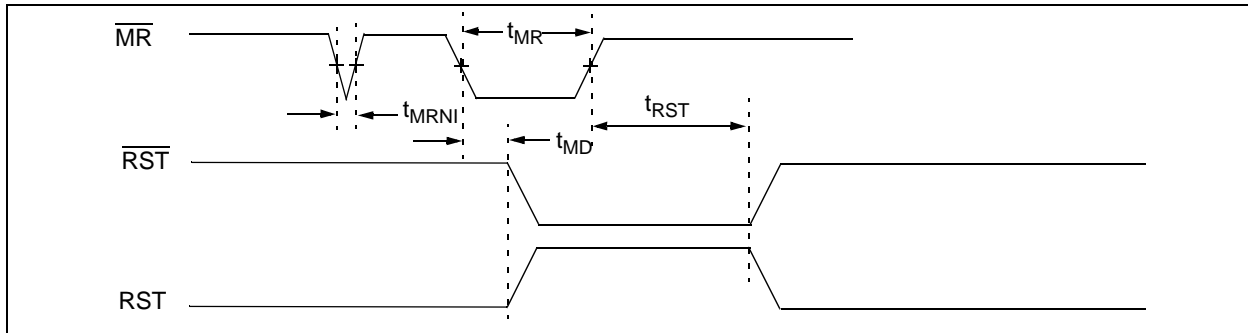


**FIGURE 1-1:** Test Load Conditions.

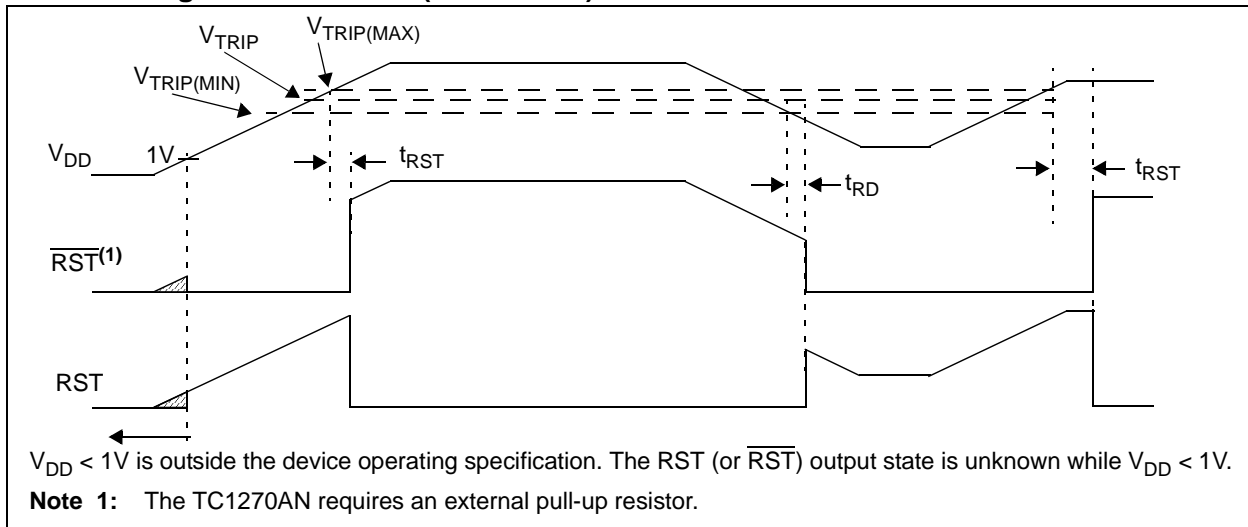
# TC1270A/70AN/71A

## TIMING DIAGRAMS AND SPECIFICATIONS

### MR Pin and Reset Pin Waveform



### Device Voltage and Reset Pin (Active Low) Waveform



### Reset and Device Reset Timer Requirements

**Electrical Characteristics:** Unless otherwise noted,  $V_{DD} = 5V$  for L/M versions,  $V_{DD} = 3.3V$  for T/S versions,  $V_{DD} = 3V$  for R version,  $T_A = -40^\circ C$  to  $+125^\circ C$ . Typical values are at  $T_A = +25^\circ C$ .

Parameter	Sym	Min	Typ <sup>(1)</sup>	Max	Units	Test Conditions
$V_{DD}$ to Reset Delay	$t_{RD}$	—	50	—	$\mu s$	$V_{DD} = V_{TRIP(MAX)}$ to $V_{TRIP(MIN)} - 125\text{ mV}$
Reset Active Time Out Period	TC127XAxBVyy <sup>(3)</sup>	1.09	2.19	4.38	ms	$V_{DD} = V_{TRIP(MAX)}$
	TC127XAxAVyy <sup>(3)</sup>	17.5	35	70	ms	$V_{DD} = V_{TRIP(MAX)}$
	TC127XAxBVyy <sup>(3)</sup>	140	280	560	ms	$V_{DD} = V_{TRIP(MAX)}$
$\overline{MR}$ Minimum Pulse Width	$t_{MR}$	10	—	—	$\mu s$	
$\overline{MR}$ Noise Immunity	$t_{MRNI}$	—	0.1	—	$\mu s$	
$\overline{MR}$ to Reset Propagation Delay	$t_{MD}$	—	0.2	—	$\mu s$	

**Note 1:** Unless otherwise stated, data in the Typical ("Typ") column is at 5V,  $+25^\circ C$ .

**Note 2:**  $\overline{RST}$  output for TC1270A, RST output for TC1271A.

**Note 3:** TC127XA refers to the TC1270A, TC1270AN or TC1271A device.

"x" indicates the selected voltage trip point, while "yy" indicates the package code.

# TC1270A/70AN/71A

## TEMPERATURE CHARACTERISTICS

Electrical Specifications: Unless otherwise indicated, $V_{DD} = +1.0V$ to $+5.5V$ , $V_{SS} = GND$ .						
Parameters	Sym	Min	Typ	Max	Units	Conditions
<b>Temperature Ranges</b>						
Specified Temperature Range	$T_A$	-40	—	+125	°C	
Operating Temperature Range	$T_A$	-40	—	+125	°C	
Storage Temperature Range	$T_A$	-65	—	+150	°C	
<b>Thermal Package Resistances</b>						
Thermal Resistance, 5L-SOT-23	$\theta_{JA}$	—	256	—	°C/W	
Thermal Resistance, 4L-SOT-143	$\theta_{JA}$	—	426	—	°C/W	

# TC1270A/70AN/71A

---

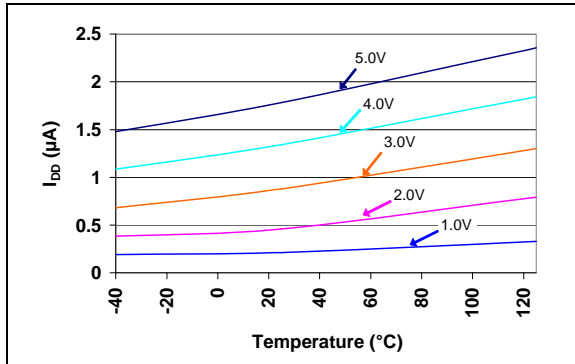
NOTES:



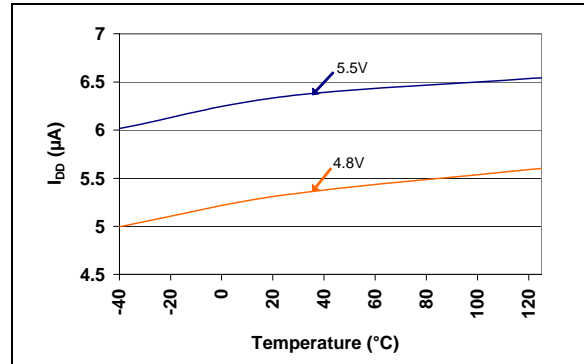
## 2.0 TYPICAL PERFORMANCE CURVES

**Note:** The graphs and tables that follow this note are the result of a statistical summary based on a limited number of samples and are provided for informational purposes only. The performance characteristics listed herein are not tested or guaranteed. In some graphs or tables, the data presented may be outside the specified operating range (e.g., outside specified power supply range) and therefore outside the warranted range.

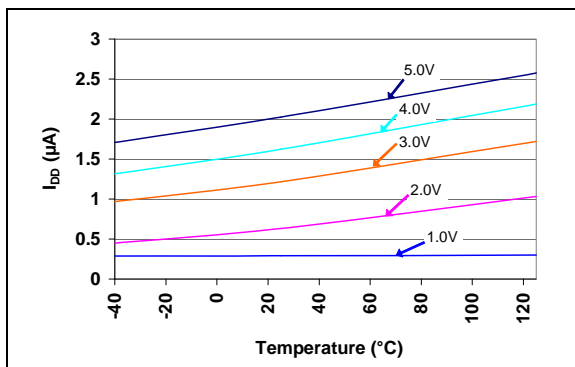
**Note:** Unless otherwise indicated, all limits are specified for  $V_{DD} = 1V$  to  $5.5V$ ,  $T_A = -40^{\circ}C$  to  $+125^{\circ}C$ .



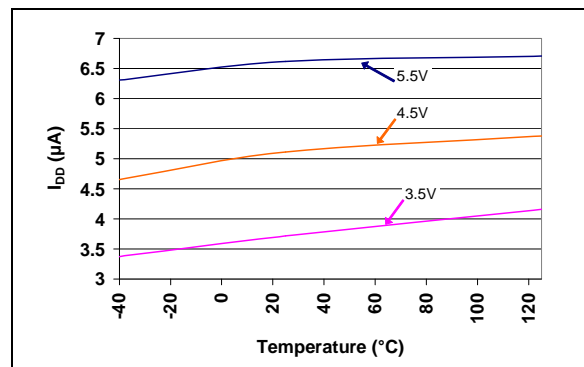
**FIGURE 2-1:**  $I_{DD}$  vs. Temperature (Reset Power-up Timer Inactive)  
(TC1270AL, TC1270ANL, TC1271AL  
- 4.50V min./4.63V typ./4.75V max.).



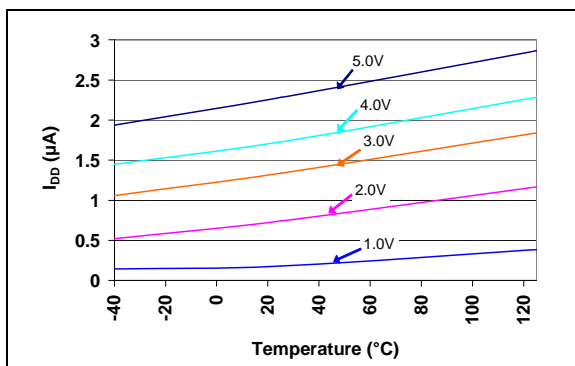
**FIGURE 2-4:**  $I_{DD}$  vs. Temperature (Reset Power-up Timer Active)  
(TC1270AL, TC1270ANL, TC1271AL  
- 4.50V min./4.63V typ./4.75V max.).



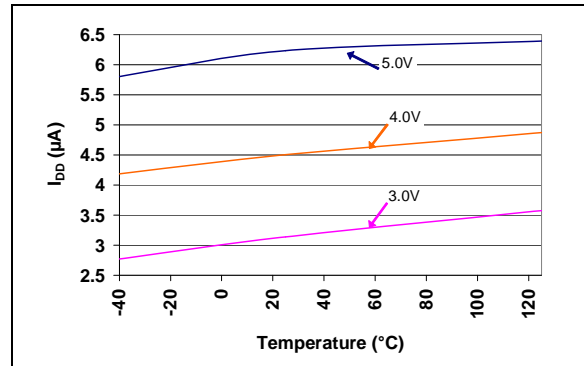
**FIGURE 2-2:**  $I_{DD}$  vs. Temperature (Reset Power-up Timer Inactive)  
(TC1270AT, TC1270ANT, TC1271AT  
- 3.00V min./3.08V typ./3.15V max.).



**FIGURE 2-5:**  $I_{DD}$  vs. Temperature (Reset Power-up Timer Active)  
(TC1270AT, TC1270ANT, TC1271AT  
- 3.00V min./3.08V typ./3.15V max.).



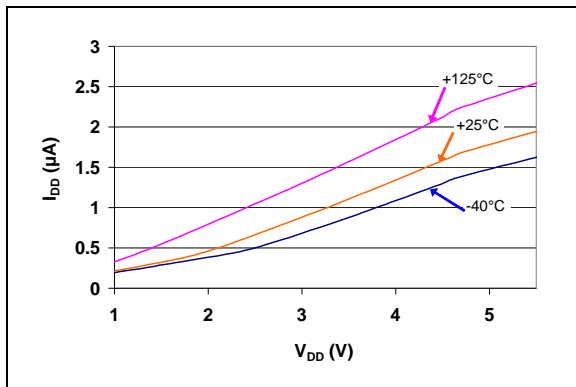
**FIGURE 2-3:**  $I_{DD}$  vs. Temperature (Reset Power-up Timer Inactive)  
(TC1270AR, TC1270ANR, TC1271AR  
- 2.55V min./2.63V typ./2.70V max.).



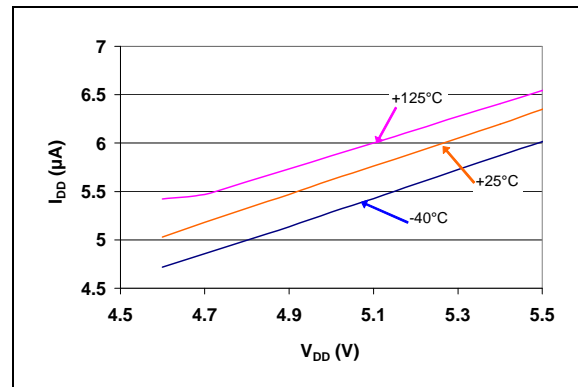
**FIGURE 2-6:**  $I_{DD}$  vs. Temperature (Reset Power-up Timer Active)  
(TC1270AR, TC1270ANR, TC1271AR  
- 2.55V min./2.63V typ./2.70V max.).

# TC1270A/70AN/71A

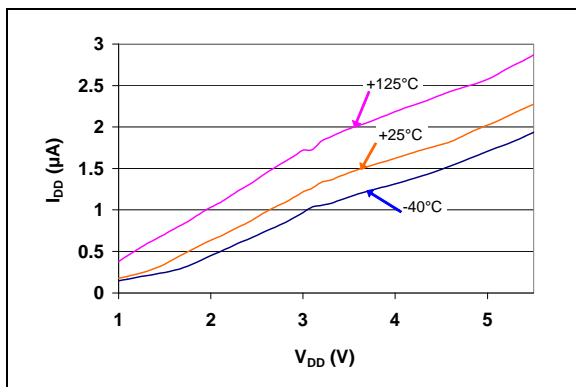
**Note:** Unless otherwise indicated, all limits are specified for  $V_{DD} = 1V$  to  $5.5V$ ,  $T_A = -40^{\circ}C$  to  $+125^{\circ}C$ .



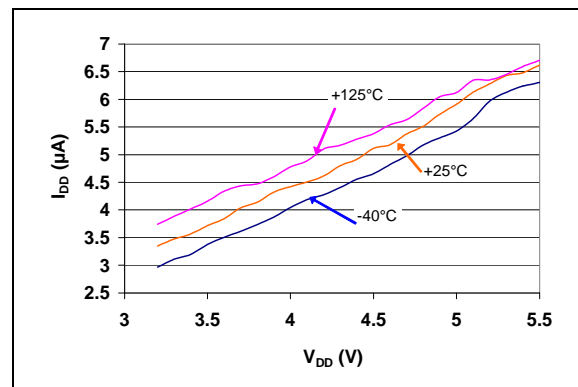
**FIGURE 2-7:**  $I_{DD}$  vs.  $V_{DD}$  (Reset Power-up Timer Inactive)  
(TC1270AL, TC1270ANL, TC1271AL  
- 4.50V min./4.63V typ./4.75V max.).



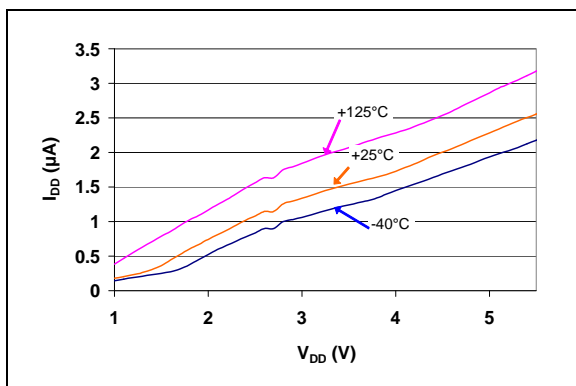
**FIGURE 2-10:**  $I_{DD}$  vs.  $V_{DD}$  (Reset Power-up Timer Active)  
(TC1270AL, TC1270ANL, TC1271AL  
- 4.50V min./4.63V typ./4.75V max.).



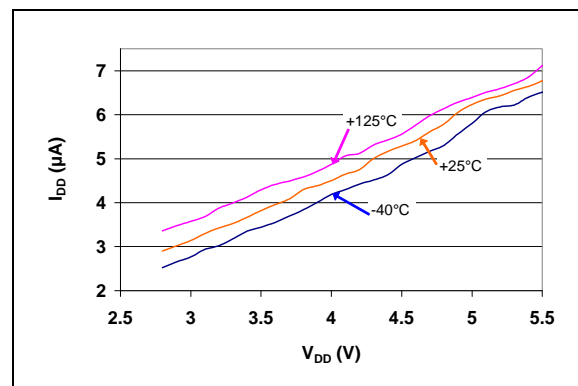
**FIGURE 2-8:**  $I_{DD}$  vs.  $V_{DD}$  (Reset Power-up Timer Inactive)  
(TC1270AT, TC1270ANT, TC1271AT  
- 3.00V min./3.08V typ./3.15V max.).



**FIGURE 2-11:**  $I_{DD}$  vs.  $V_{DD}$  (Reset Power-up Timer Active)  
(TC1270AT, TC1270ANT, TC1271AT  
- 3.00V min./3.08V typ./3.15V max.).



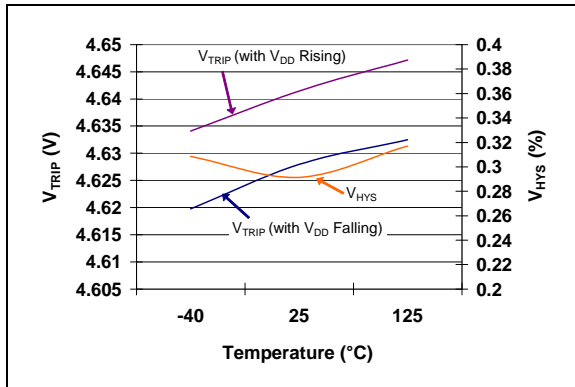
**FIGURE 2-9:**  $I_{DD}$  vs.  $V_{DD}$  (Reset Power-up Timer Inactive)  
(TC1270AR, TC1270ANR, TC1271AR  
- 2.55V min./2.63V typ./2.70V max.).



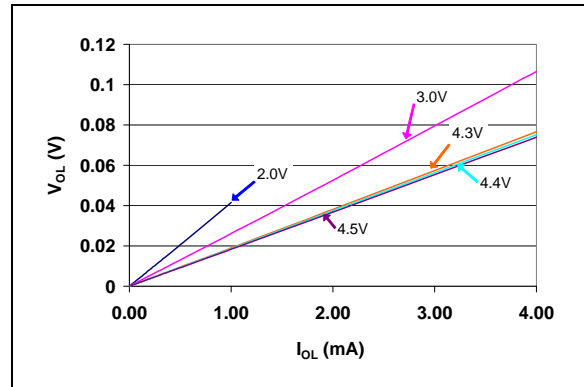
**FIGURE 2-12:**  $I_{DD}$  vs.  $V_{DD}$  (Reset Power-up Timer Active)  
(TC1270AR, TC1270ANR, TC1271AR  
- 2.55V min./2.63V typ./2.70V max.).

# TC1270A/70AN/71A

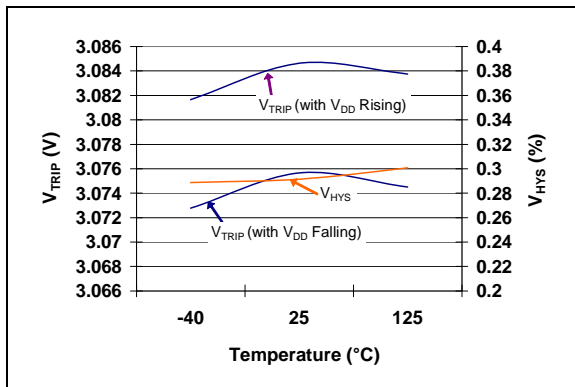
**Note:** Unless otherwise indicated, all limits are specified for  $V_{DD} = 1V$  to  $5.5V$ ,  $T_A = -40^{\circ}C$  to  $+125^{\circ}C$ .



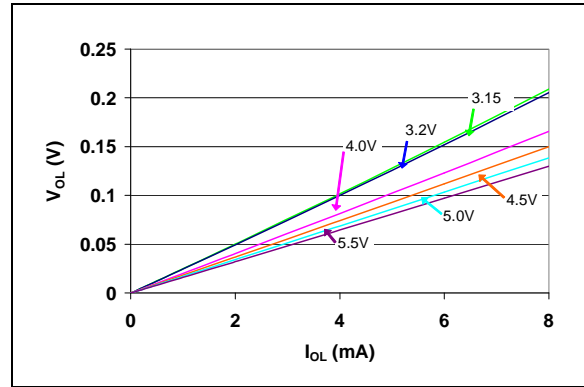
**FIGURE 2-13:**  $V_{TRIP}$  and  $V_{HYS}$  vs. Temperature  
(TC1270AL, TC1270ANL, TC1271AL  
- 4.50V min./4.63V typ./4.75V max.).



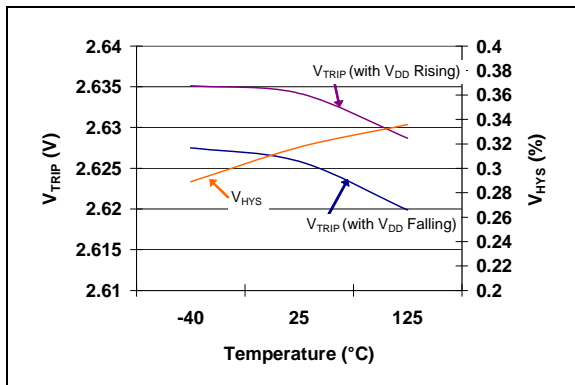
**FIGURE 2-16:**  $V_{OL}$  vs.  $I_{OL}$   
(TC1270AL, TC1270ANL, TC1271AL  
- 4.50V min./4.63V typ./4.75V max.).



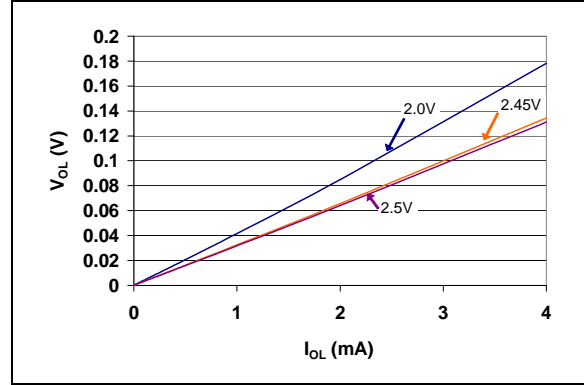
**FIGURE 2-14:**  $V_{TRIP}$  and  $V_{HYS}$  vs. Temperature  
(TC1270AT, TC1270ANT, TC1271AT  
- 3.00V min./3.08V typ./3.15V max.).



**FIGURE 2-17:**  $V_{OL}$  vs.  $I_{OL}$   
(TC1270AT, TC1270ANT, TC1271AT  
- 3.00V min./3.08V typ./3.15V max.).



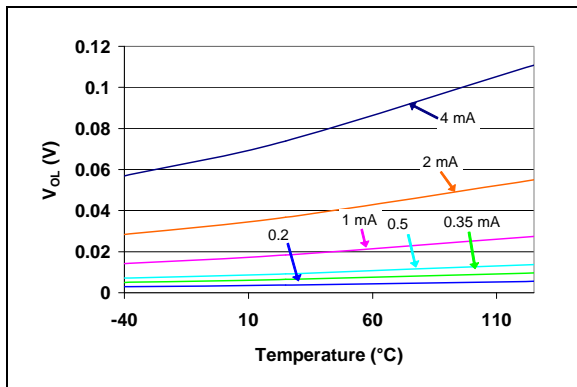
**FIGURE 2-15:**  $V_{TRIP}$  and  $V_{HYST}$  vs. Temperature  
(TC1270AR, TC1270ANR, TC1271AR  
- 2.55V min./2.63V typ./2.70V max.).



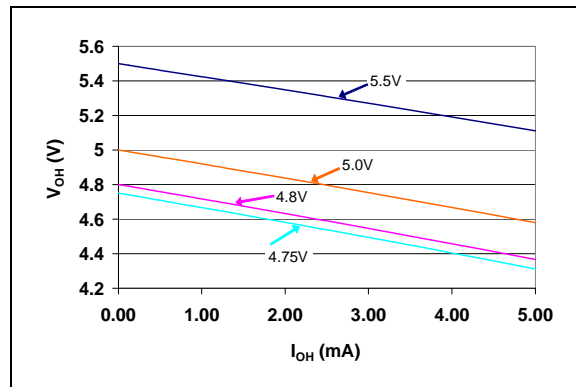
**FIGURE 2-18:**  $V_{OL}$  vs.  $I_{OL}$   
(TC1270AR, TC1270ANR, TC1271AR  
- 2.55V min./2.63V typ./2.70V max.).

# TC1270A/70AN/71A

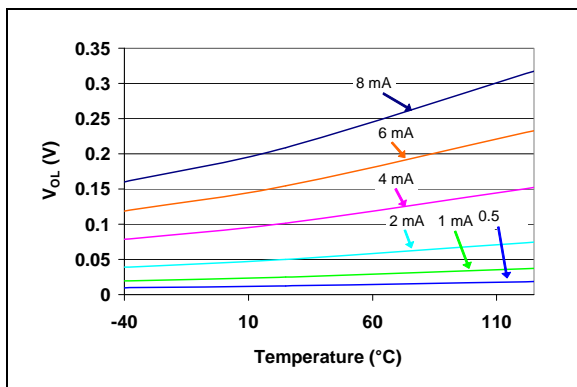
**Note:** Unless otherwise indicated, all limits are specified for  $V_{DD} = 1V$  to  $5.5V$ ,  $T_A = -40^{\circ}C$  to  $+125^{\circ}C$ .



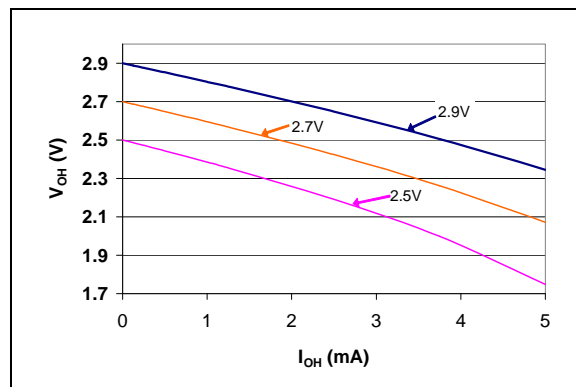
**FIGURE 2-19:**  $V_{OL}$  vs. Temperature  
(TC1270AL, TC1270ANL, TC1271AL  
- 4.50V min./4.63V typ./4.75V max.).  
@  $V_{DD} = 4.5V$ ).



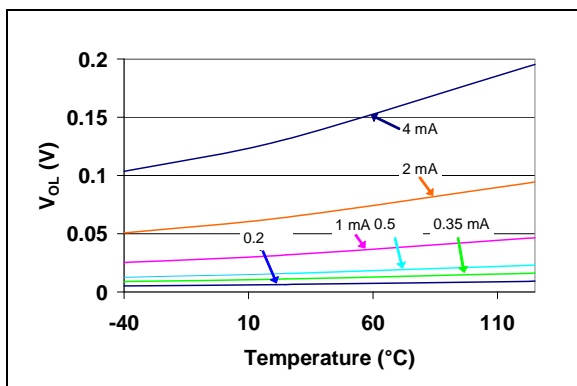
**FIGURE 2-22:**  $V_{OH}$  vs.  $I_{OH}$   
(TC1270AL, TC1270ANL, TC1271AL  
- 4.50V min./4.63V typ./4.75V max.).  
@  $+25^{\circ}C$ ).



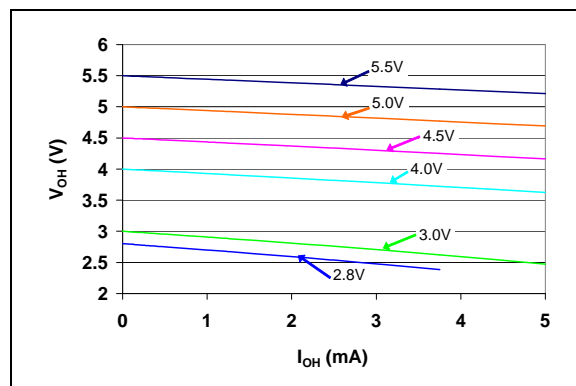
**FIGURE 2-20:**  $V_{OL}$  vs. Temperature  
(TC1270AT, TC1270ANT, TC1271AT  
- 3.00V min./3.08V typ./3.15V max.).  
@  $V_{DD} = 2.7V$ ).



**FIGURE 2-23:**  $V_{OH}$  vs.  $I_{OH}$   
(TC1270AT, TC1270ANT, TC1271AT  
- 3.00V min./3.08V typ./3.15V max.).  
@  $+25^{\circ}C$ ).



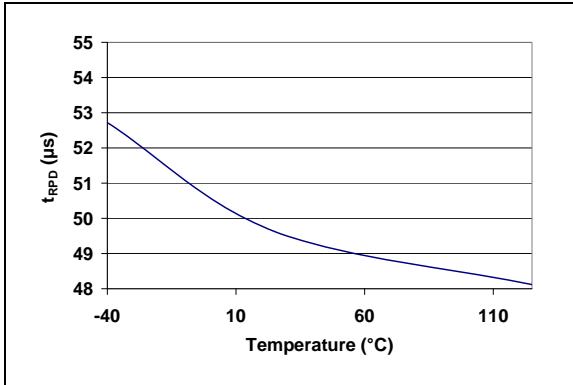
**FIGURE 2-21:**  $V_{OL}$  vs. Temperature  
(TC1270AR, TC1270ANR, TC1271AR  
- 2.55V min./2.63V typ./2.70V max.).  
@  $V_{DD} = 1.8V$ ).



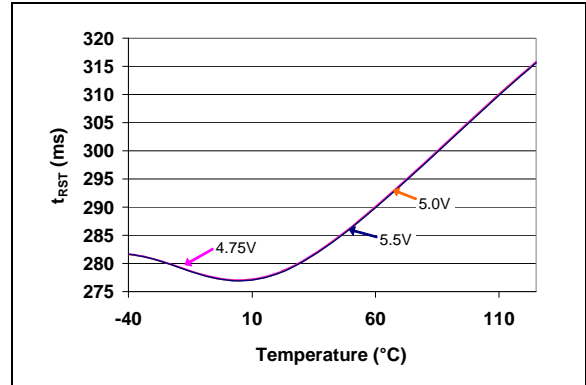
**FIGURE 2-24:**  $V_{OH}$  vs.  $I_{OH}$   
(TC1270AR, TC1270ANR, TC1271AR  
- 2.55V min./2.63V typ./2.70V max.).  
@  $+25^{\circ}C$ ).

# TC1270A/70AN/71A

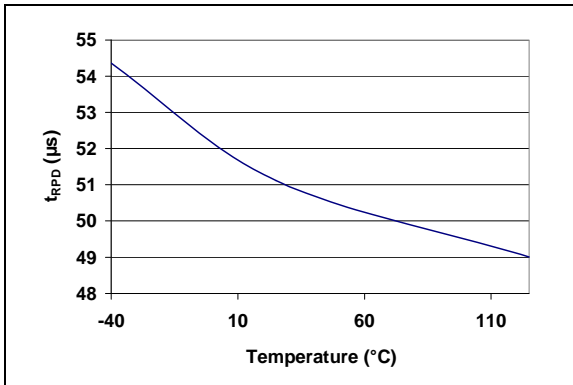
**Note:** Unless otherwise indicated, all limits are specified for  $V_{DD} = 1V$  to  $5.5V$ ,  $T_A = -40^{\circ}C$  to  $+125^{\circ}C$ .



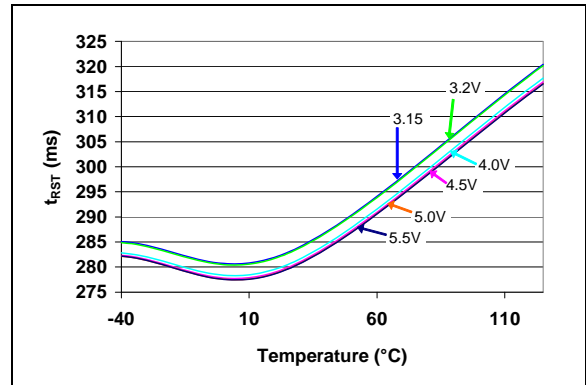
**FIGURE 2-25:**  $V_{DD}$  Falling to Reset Propagation Delay ( $t_{RPD}$ ) vs. Temperature (TC1270AL, TC1270ANL, TC1271AL - 4.50V min./4.63V typ./4.75V max.).



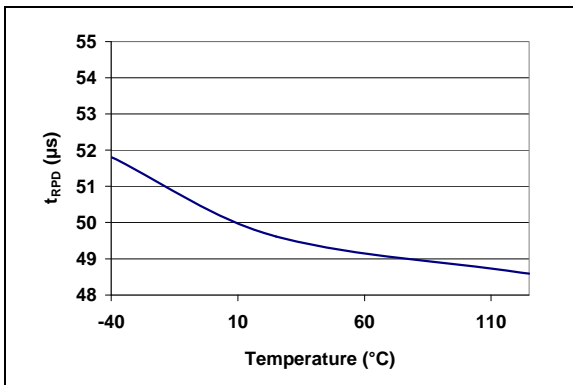
**FIGURE 2-28:** Reset Time-Out Period ( $t_{RST}$ ) vs. Temperature (TC1270AL, TC1270ANL, TC1271AL - 4.50V min./4.63V typ./4.75V max.).



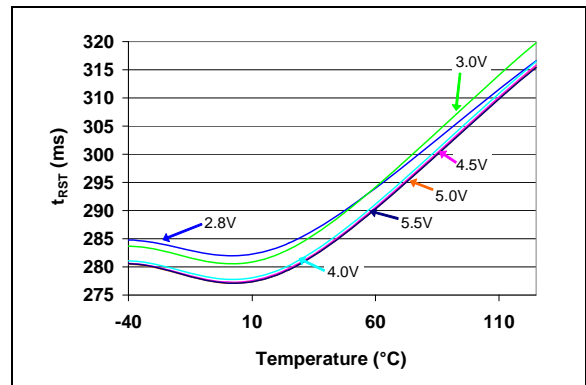
**FIGURE 2-26:**  $V_{DD}$  Falling to Reset Propagation Delay ( $t_{RPD}$ ) vs. Temperature (TC1270AT, TC1270ANT, TC1271AT - 3.00V min./3.08V typ./3.15V max.).



**FIGURE 2-29:** Reset Time-Out Period ( $t_{RST}$ ) vs. Temperature (TC1270AT, TC1270ANT, TC1271AT - 3.00V min./3.08V typ./3.15V max.).



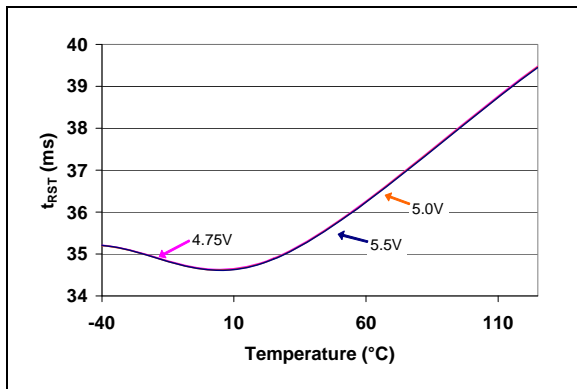
**FIGURE 2-27:**  $V_{DD}$  Falling to Reset Propagation Delay ( $t_{RPD}$ ) vs. Temperature (TC1270AR, TC1270ANR, TC1271AR - 2.55V min./2.63V typ./2.70V max.).



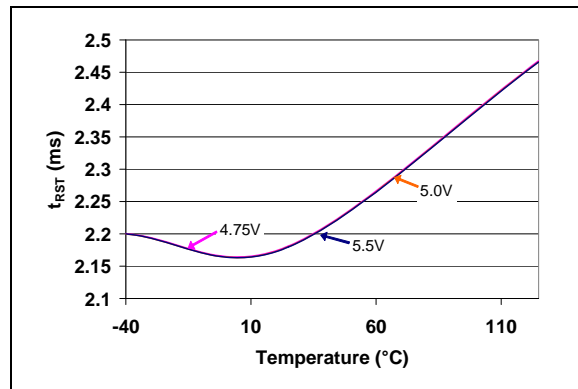
**FIGURE 2-30:** Reset Time-Out Period ( $t_{RST}$ ) vs. Temperature (TC1270AR, TC1270ANR, TC1271AR - 2.55V min./2.63V typ./2.70V max.).

# TC1270A/70AN/71A

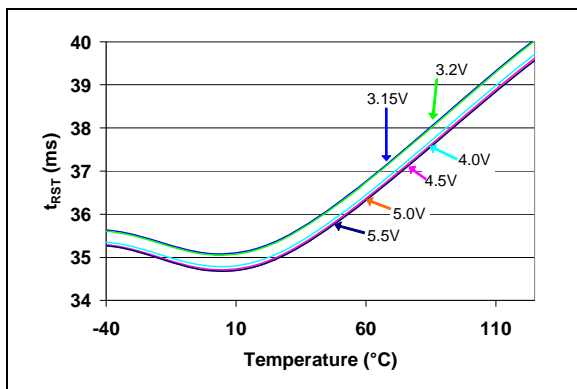
**Note:** Unless otherwise indicated, all limits are specified for  $V_{DD} = 1V$  to  $5.5V$ ,  $T_A = -40^{\circ}C$  to  $+125^{\circ}C$ .



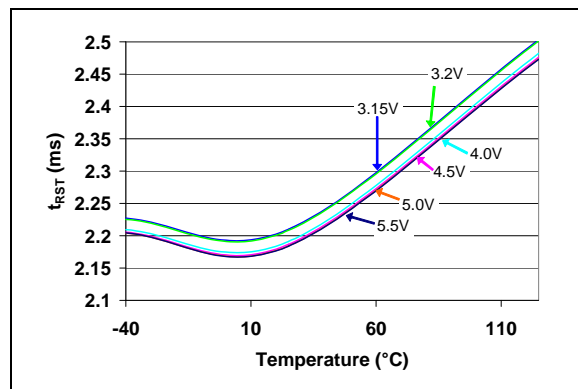
**FIGURE 2-31:** Reset Time-Out Period ( $t_{RST}$ ) (C time out option) vs. Temperature (TC1270AL, TC1270ANL, TC1271AL - 4.50V min./4.63V typ./4.75V max.).



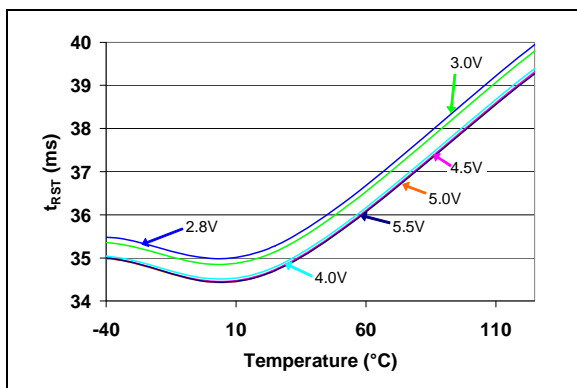
**FIGURE 2-34:** Reset Time-Out Period ( $t_{RST}$ ) (B time out option) vs. Temperature (TC1270AL, TC1270ANL, TC1271AL - 4.50V min./4.63V typ./4.75V max.).



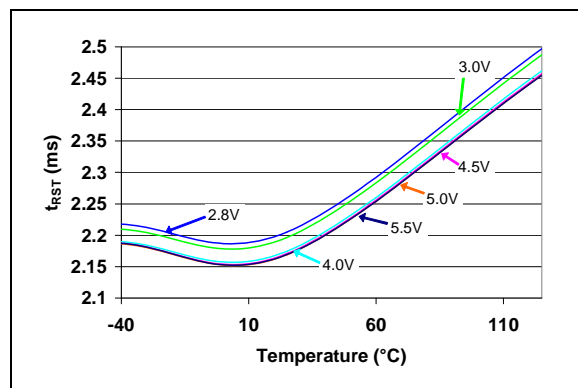
**FIGURE 2-32:** Reset Time-Out Period ( $t_{RST}$ ) (C time out option) vs. Temperature (TC1270AT, TC1270ANT, TC1271AT - 3.00V min./3.08V typ./3.15V max.).



**FIGURE 2-35:** Reset Time-Out Period ( $t_{RST}$ ) (B time out option) vs. Temperature (TC1270AT, TC1270ANT, TC1271AT - 3.00V min./3.08V typ./3.15V max.).



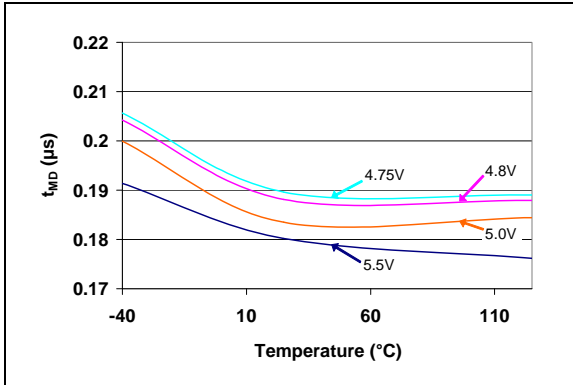
**FIGURE 2-33:** Reset Time-Out Period ( $t_{RST}$ ) (C time out option) vs. Temperature (TC1270AR, TC1270ANR, TC1271AR - 2.55V min./2.63V typ./2.70V max.).



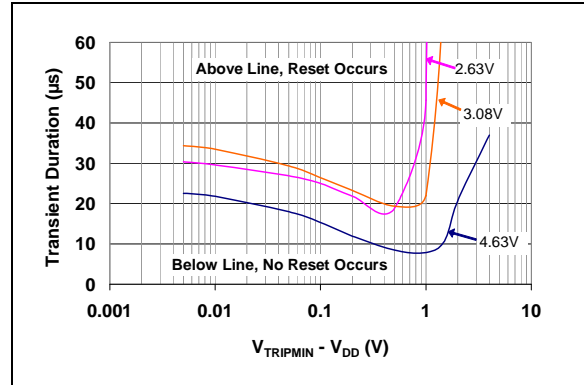
**FIGURE 2-36:** Reset Time-Out Period ( $t_{RST}$ ) (B time out option) vs. Temperature (TC1270AR, TC1270ANR, TC1271AR - 2.55V min./2.63V typ./2.70V max.).

# TC1270A/70AN/71A

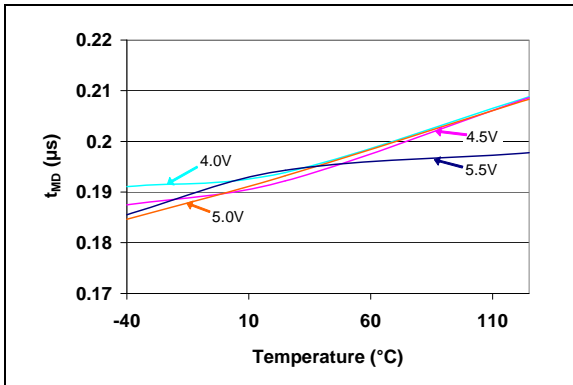
**Note:** Unless otherwise indicated, all limits are specified for  $V_{DD} = 1V$  to  $5.5V$ ,  $T_A = -40^{\circ}C$  to  $+125^{\circ}C$ .



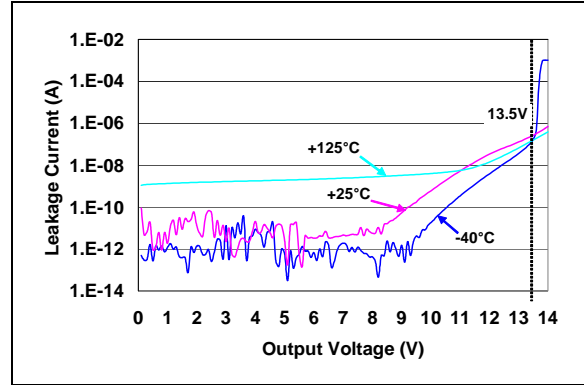
**FIGURE 2-37:**  $\overline{MR}$  Low to Reset Propagation Delay ( $t_{MD}$ ) vs. Temperature (TC1270AL, TC1270ANL, TC1271AL - 4.50V min./4.63V typ./4.75V max.).



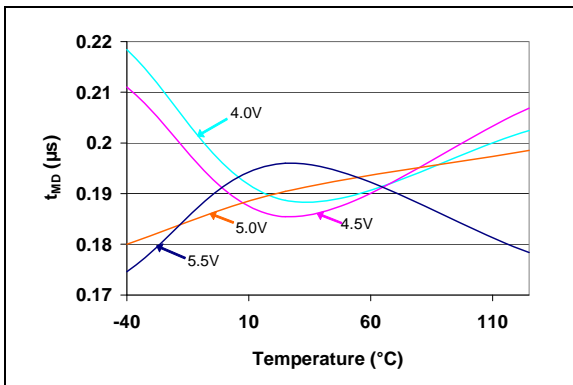
**FIGURE 2-40:**  $V_{DD}$  Transient Duration vs. Reset Threshold Overdrive ( $V_{TRIP}$  (minimum) -  $V_{DD}$ ).



**FIGURE 2-38:**  $\overline{MR}$  Low to Reset Propagation Delay ( $t_{MD}$ ) vs. Temperature (TC1270AT, TC1270ANT, TC1271AT - 3.00V min./3.08V typ./3.15V max.).



**FIGURE 2-41:** Open-Drain Leakage Current vs. Voltage Applied to RST Pin (TC1270AR, TC1270ANR, TC1271AR - 2.55V minimum).



**FIGURE 2-39:**  $\overline{MR}$  Low to Reset Propagation Delay ( $t_{MD}$ ) vs. Temperature (TC1270AR, TC1270ANR, TC1271AR - 2.55V min./2.63V typ./2.70V max.).

# TC1270A/70AN/71A

---

NOTES:



## 3.0 PIN DESCRIPTIONS

Descriptions of the pins are listed in [Table 3-1](#).

**TABLE 3-1: PINOUT DESCRIPTION**

Pin Number						Sym	Pin		Standard Function
TC1270A (Push-Pull, active-low)		TC1270AN (Open-Drain, active-low)		TC1271A (Push-Pull, active-high)			Type	Buffer / Driver	
SOT-23-5	SOT-143-4	SOT-23-5	SOT-143-4	SOT-23-5	SOT-143-4				
5	1		1	5	1	$V_{SS}$	—	Power	Ground
4	2	—	—	—	—	$\overline{RST}$	O	Push-Pull	Reset output (Push-Pull), active-low $H = V_{DD} > V_{TRIP}$ Reset pin is inactive (after Reset Delay Timer completes) $L = V_{DD} < V_{TRIP}$ Reset pin is active  Goes active (Low) if one of these conditions occurs: 1. If $V_{DD}$ falls below the selected Reset voltage threshold. 2. If the $\overline{MR}$ pin is forced low. 3. During power-up.
—	—	4	2	—	—	$\overline{RST}$	O	Open-Drain	Reset output (Open-Drain), active-low Float = $V_{DD} > V_{TRIP}$ Reset pin is inactive (after Reset Delay Timer completes) $L = V_{DD} < V_{TRIP}$ Reset pin is active  Goes active (Low) if one of these conditions occurs: 1. If $V_{DD}$ falls below the selected Reset voltage threshold. 2. If the $\overline{MR}$ pin is forced low. 3. During power-up.
—	—	—	—	4	2	$\overline{RST}$	O	Push-Pull	Reset output (Push-Pull), active-high $H = V_{DD} < V_{TRIP}$ Reset pin is active $L = V_{DD} > V_{TRIP}$ Reset pin is inactive (after Reset Delay Timer completes)  Goes active (High) if one of these conditions occurs: 1. If $V_{DD}$ falls below the selected Reset voltage threshold. 2. If the $\overline{MR}$ pin is forced low. 3. During power-up.

**Note 1:** The  $\overline{MR}$  pin has an internal weak pull-up (18.5 k $\Omega$  typical).

# TC1270A/70AN/71A

TABLE 3-1: PINOUT DESCRIPTION (CONTINUED)

Pin Number						Sym	Pin		Standard Function
TC1270A (Push-Pull, active-low)		TC1270AN (Open-Drain, active-low)		TC1271A (Push-Pull, active-high)			Type	Buffer / Driver	
SOT-23-5	SOT-143-4	SOT-23-5	SOT-143-4	SOT-23-5	SOT-143-4				
3	3	3	3	3	3	$\overline{\text{MR}}$	I	ST <sup>(1)</sup>	Manual Reset Input Pin This input allows a push button switch to be directly connected to a TC1270A/70AN/71A device's $\overline{\text{MR}}$ pin, which can be used to force a system Reset. The input filter ignores noise pulses that occur on the $\overline{\text{MR}}$ pin. H = Switch is open (internal pull-up resistor pulls signal high). State of the $\text{RST}/\overline{\text{RST}}$ pin is determined by other system conditions. L = Switch is depressed (shorted to ground). This forces the $\text{RST}/\overline{\text{RST}}$ pin Active.
2	4	2	4	2	4	$V_{\text{DD}}$	—	Power	Supply Voltage
1	—	1	—	1	—	NC	—	—	No Connection

**Note 1:** The  $\overline{\text{MR}}$  pin has an internal weak pull-up (18.5 k $\Omega$  typical).

### 3.1 Ground Terminal ( $V_{\text{SS}}$ )

$V_{\text{SS}}$  provides the negative reference for the analog input voltage. Typically, the circuit ground is used.

### 3.2 Supply Voltage ( $V_{\text{DD}}$ )

$V_{\text{DD}}$  can be used for power supply monitoring or a voltage level that requires monitoring.

### 3.3 Reset Output ( $\text{RST}$ and $\overline{\text{RST}}$ )

There are three types of Reset output pins. These are:

1. Push-Pull active-low Reset
2. Push-Pull active-high Reset
3. Open-Drain active-low Reset, external pull-up resistor required.

#### 3.3.1 ACTIVE-LOW ( $\overline{\text{RST}}$ ) – PUSH-PULL

The  $\overline{\text{RST}}$  push-pull output remains low while  $V_{\text{DD}}$  is below the Reset voltage threshold ( $V_{\text{TRIP}}$ ). The time that the  $\overline{\text{RST}}$  pin is held low after the device voltage ( $V_{\text{DD}}$ ) returns to a high level ( $> V_{\text{TRIP}}$ ) is typically 280 ms. After the Reset Delay Timer expires, the  $\overline{\text{RST}}$  pin will be driven to the high state.

#### 3.3.2 ACTIVE-HIGH ( $\text{RST}$ ) – PUSH-PULL

The  $\text{RST}$  push-pull output remains high while  $V_{\text{DD}}$  is below the Reset voltage threshold ( $V_{\text{TRIP}}$ ). The time that the  $\text{RST}$  pin is held high after the device voltage ( $V_{\text{DD}}$ ) returns to a high level ( $> V_{\text{TRIP}}$ ) is typically 280 ms. After the Reset Delay Timer expires, the  $\text{RST}$  pin will be driven to the low state.

#### 3.3.3 ACTIVE-LOW ( $\overline{\text{RST}}$ ) – OPEN-DRAIN

The  $\overline{\text{RST}}$  open-drain output remains low while  $V_{\text{DD}}$  is below the Reset voltage threshold ( $V_{\text{TRIP}}$ ). The time that the  $\overline{\text{RST}}$  pin is held low after the device voltage ( $V_{\text{DD}}$ ) returns to a high level ( $> V_{\text{TRIP}}$ ) depends on the Reset time-out selected. After the Reset Delay Timer expires, the  $\overline{\text{RST}}$  pin will float.

### 3.4 Manual Reset Input ( $\overline{\text{MR}}$ )

The Manual Reset ( $\overline{\text{MR}}$ ) input pin allows a push button switch to easily be connected to the system. When the push button is depressed, it forces a system Reset. This pin has circuitry that filters noise that may be present on the  $\overline{\text{MR}}$  signal.

The  $\overline{\text{MR}}$  pin is active-low and has an internal pull-up resistor.

## 4.0 DEVICE OPERATION

### 4.1 General Description

For many of today's microcontroller applications, care must be taken to prevent low-power conditions that can cause many different system problems. The most common causes are brown-out conditions, where the system supply drops below the operating level momentarily. The second most common cause is when a slowly decaying power supply causes the microcontroller to begin executing instructions without sufficient voltage to sustain volatile memory (RAM), thus producing indeterminate results.

The TC127XA family (TC1270A, TC1270AN and TC1271A) are cost-effective voltage supervisor devices designed to keep a microcontroller in Reset until the system voltage has reached and stabilized at the proper level for reliable system operation. These devices also operate as protection from brown-out conditions when the system supply voltage drops below a safe operating level.

A Manual Reset input ( $\overline{\text{MR}}$  pin) is provided. This allows a push button switch to be directly connected to the TC127XA device, and is suitable for use as a push button Reset. This allows the system to easily be reset from the external control of the push button switch. No external components are required.

The Reset pin (RST or  $\overline{\text{RST}}$ ) will be forced active, if any of the following occur:

- During device power-up
- $V_{\text{DD}}$  goes below the device threshold voltage
- The Manual Reset input ( $\overline{\text{MR}}$ ) goes low

Figure 4-1 shows a high level block diagram of the devices. The device can be described with three functional blocks. These are:

- Voltage detect circuit
- Manual Reset with glitch filter circuit
- Reset generator circuit

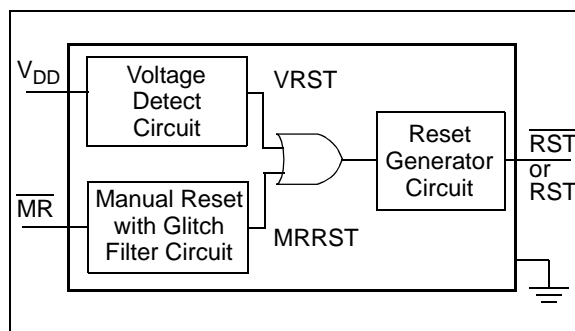
The Reset generator circuit controls the Reset delay time of the Reset output signal.

There are three Reset Delay Timer options. Depending on the option, the Reset signal (RST/RST pin) will be held active for a minimum of 1.09 ms, 17.5 ms, or 140 ms.

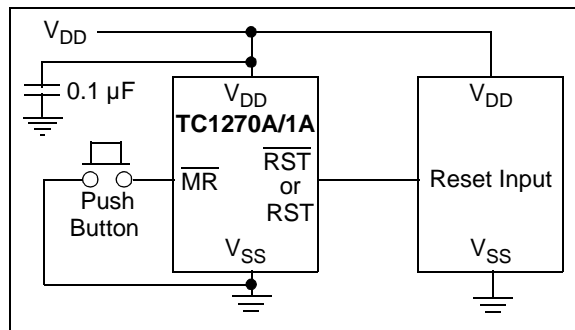
The TC1271A has an active-high RST output while the TC1270A and TC1270AN have an active-low  $\overline{\text{RST}}$  output.

The TC1270A and TC1271A have a push-pull output driver, while the TC1270AN has an open-drain output.

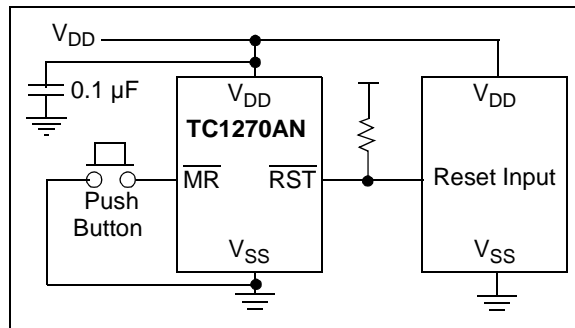
Figure 4-2 shows a typical circuit for a push-pull device and Figure 4-3 shows a typical circuit for an open-drain device.



**FIGURE 4-1:** TC127XA High Level Block Diagram.



**FIGURE 4-2:** Typical Push-Pull Application Circuit.



**FIGURE 4-3:** Typical Open-Drain Application Circuit.

The TC1270A and TC1271A devices are available in a 4-Pin SOT-143 package (to maintain footprint compatibility with the TC1270, TC1271, TCM811 and TCM812 devices) and a SOT-23-5 package. The TC1270AN is only available in the SOT-23-5 package.

Low supply current makes these devices suitable for battery-powered applications.

Device specific block diagrams are presented in Figure 4-4 through Figure 4-6.

# TC1270A/70AN/71A

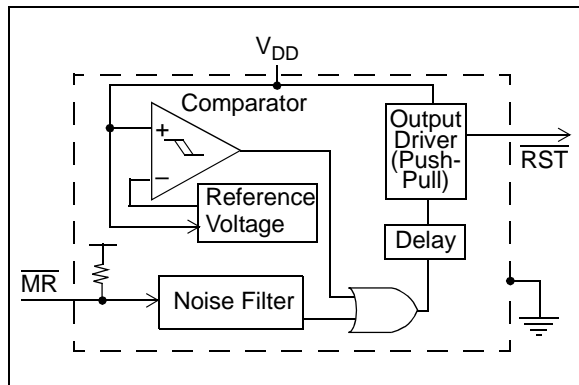


FIGURE 4-4: TC1270A Block Diagram.

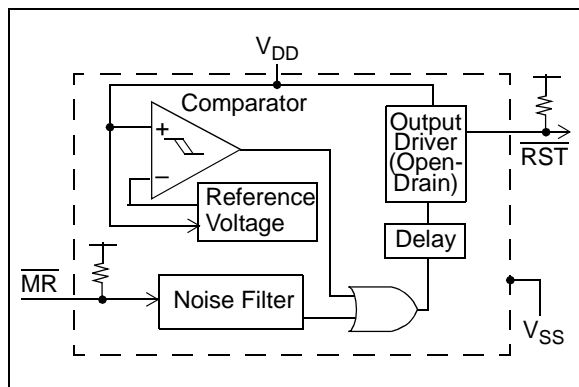


FIGURE 4-5: TC1270AN Block Diagram.

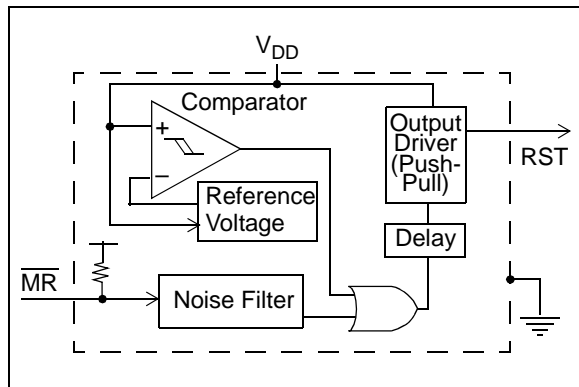


FIGURE 4-6: TC1271A Block Diagram.

## 4.2 Voltage Detect Circuit

The voltage detect circuit monitors  $V_{DD}$ . The device's Reset voltage trip point ( $V_{TRIP}$ ) is selected when the device is ordered. The voltage on the device's  $V_{DD}$  pin determines the output state of the  $\overline{RST}/RST$  pin.

$V_{DD}$  voltages above the  $V_{TRIP(MAX)}$  force the  $\overline{RST}/RST$  pin inactive.  $V_{DD}$  voltages below the  $V_{TRIP(MIN)}$  force the  $\overline{RST}/RST$  pin active. The state of the  $\overline{RST}/RST$  pin is unknown for  $V_{DD}$  voltages between  $V_{TRIP(MAX)}$  and  $V_{TRIP(MIN)}$ . This is shown in Table 4-1

TABLE 4-1:  $V_{DD}$  LEVELS TO  $\overline{RST}/RST$  OUTPUT STATES

$V_{DD}$ Voltage Level	Output State	
	$\overline{RST}$	$RST$
$V_{DD} \geq V_{TRIP(MAX)}$	H <sup>(1, 2)</sup>	L <sup>(1)</sup>
$V_{TRIP(MIN)} < V_{DD} < V_{TRIP(MAX)}$	U	U
$V_{DD} \leq V_{TRIP(MIN)}$	L	H

**Legend:** H = Driven High L = Driven Low  
U = Unknown, driven either High or Low

**Note 1:** The  $\overline{RST}/RST$  pin will be driven inactive after the Reset Delay Timer ( $t_{RST}$ ) times out.

**2:** The TC1270AN  $\overline{RST}$  pin will be floated after the Reset Delay Timer ( $t_{RST}$ ) times out.

The term  $V_{TRIP}$  will be used as the general term for the trip point voltage where the device actually trips.

In the case where  $V_{DD}$  is falling (for voltages starting above  $V_{TRIP(MAX)}$ ):

- Voltages above  $V_{TRIP(MAX)}$  will never cause the  $\overline{RST}/RST$  output pin to be driven active.
- Voltages below  $V_{TRIP(MIN)}$  will always cause the  $\overline{RST}/RST$  output pin to be driven active.

In the case where  $V_{DD}$  is rising (for voltages starting below  $V_{TRIP(MIN)}$ ):

- Voltages above  $V_{TRIP(MAX)}$  will always cause the  $\overline{RST}/RST$  output pin to be driven inactive, (or floated, in the TC1270AN) after the Reset Delay Timer ( $t_{RST}$ ), times out.

Table 4-2 shows the various device trip point options and their  $V_{TRIP(MAX)}$  and  $V_{TRIP(MIN)}$  voltages. The negative percentage change from common regulated voltages is also shown.

If the  $V_{DD}$  is falling from the regulated voltage as it crosses the  $V_{TRIP}$  voltage, the  $\overline{RST}/RST$  pin is driven active. Then, the desired circuitry is forced into Reset, or the circuitry has the indication that the  $V_{DD}$  is below the selected  $V_{TRIP}$ .

If the  $V_{DD}$  is rising as it crosses the  $V_{TRIP}$  voltage, the  $\overline{RST}/RST$  pin is driven inactive after the Reset Delay Timer elapses. Then, the desired circuitry is released from Reset and will start to operate in its Normal mode, or the circuitry has the indication that the  $V_{DD}$  is above the selected  $V_{TRIP}$ .

**TABLE 4-2: SELECTING THE TRIP POINT**

Trip Voltage Selection	$V_{TRIP(MAX)}^{(1)}$ / $V_{TRIP(MIN)}^{(2)}$	- % From Regulated Voltage		
		5.0V	3.3V	3.0V
L	4.75V	5.0%	—	—
	4.50V	10.0%	—	—
M	4.50V	10.0%	—	—
	4.25V	15.0%	—	—
T	3.15V	—	4.5%	—
	3.00V	—	9.2%	—
S	3.00V	—	9.2%	—
	2.85V	—	13.7%	—
R	2.70V	—	—	10.0%
	2.55V	—	—	15.0%

**Note 1:** Voltage regulator circuit must have tighter tolerance (%) than  $V_{TRIP(MAX)}$ % from regulated voltage.

**2:** Circuitry being reset must have a wider tolerance (%) than  $V_{TRIP(MIN)}$ % from regulated voltage.

The TC1270A/TC1270AN/TC1271A devices are optimized to reject fast transient glitches on the  $V_{DD}$  line. If the low input signal (which is below  $V_{TRIP}$ ) is not rejected, the Reset output is driven active within 50  $\mu$ s of  $V_{DD}$  falling through the Reset voltage threshold.

After the device exits the Reset condition, the delay circuitry will hold the  $\overline{RST}/RST$  pin active until the appropriate Reset delay time ( $t_{RST}$ ) has elapsed.

During device power-up, the input voltage is below the trip point voltage. The device must enter the valid operating range for the device to start operation.

## 4.2.1 HYSTERESIS

There is also a minimal hysteresis ( $V_{HYS}$ ) on the trip point. This is so that small noise signals on the device voltage ( $V_{DD}$ ) do not cause the Reset pin ( $\overline{RST}/RST$ ) to “jitter” (oscillate between active and inactive levels).

The characterization graphs shown in Figures 2-13 through 2-15 show the device hysteresis as a percentage of the voltage trip point ( $V_{TRIP}$ ).

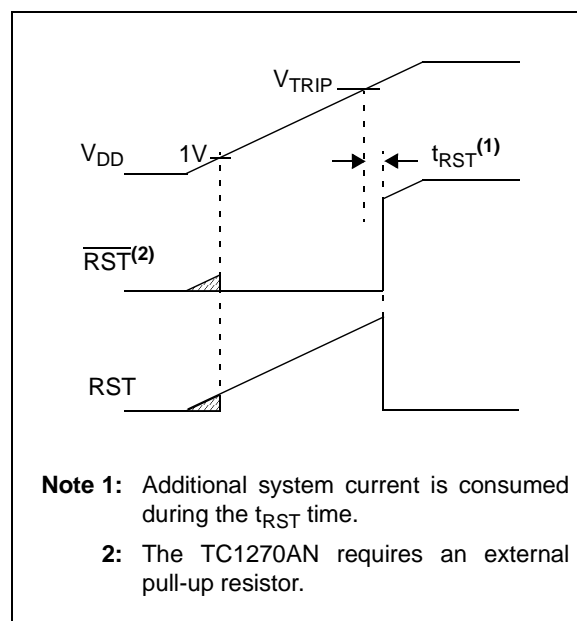
The Reset Delay Timer ( $t_{RST}$ ) gives a time-based hysteresis for the system.

## 4.2.2 POWER-UP/RISING $V_{DD}$

As the device  $V_{DD}$  rises, the device’s Reset circuit will remain active until the voltage rises above the “actual” trip point ( $V_{TRIP}$ ).

Figure 4-7 shows a power-up sequence and the waveform of the  $\overline{RST}$  and  $RST$  pins. As the device powers up, the voltage will start below the valid operating voltage of the device. At this voltage, the  $\overline{RST}/RST$  output is not valid. Once the voltage is above the minimum operating voltage (1V) and below the selected  $V_{TRIP}$ , the Reset output will be active.

Once the device voltage rises above the  $V_{TRIP}$  voltage, the Reset Delay Timer ( $t_{RST}$ ) starts. When the Reset Delay Timer times out, the Reset output ( $\overline{RST}/RST$ ) is driven inactive.



**Note 1:** Additional system current is consumed during the  $t_{RST}$  time.

**2:** The TC1270AN requires an external pull-up resistor.

**FIGURE 4-7:**  $\overline{RST}/RST$  Pin Operation Power-up.

# TC1270A/70AN/71A

## 4.2.3 POWER-DOWN/BROWN-OUT

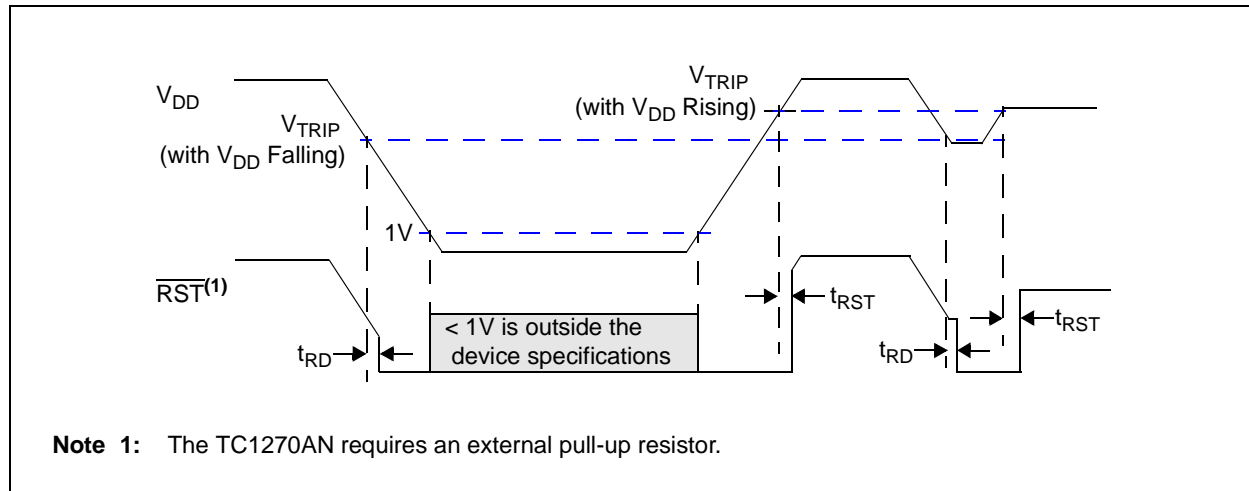
As the device powers-down/browns-out, the  $V_{DD}$  falls from a voltage above the devices trip point ( $V_{TRIP}$ ). The device will trip at a voltage between the maximum trip point ( $V_{TRIP(MAX)}$ ) and the minimum trip point ( $V_{TRIP(MIN)}$ ). Once the device voltage ( $V_{DD}$ ) goes below this voltage, the  $\overline{RST}/RST$  pin will be forced to the active state. Table 4-3 shows the state of the  $\overline{RST}$  or RST pins.

Figure 4-8 shows the waveform of the  $\overline{RST}$  pin as determined by the  $V_{DD}$  voltage. As the  $V_{DD}$  voltage falls from the normal operating point, the device “enters” Reset by crossing the  $V_{TRIP}$  voltage (between  $V_{TRIP(MAX)}$  and  $V_{TRIP(MIN)}$ ). Then, when  $V_{DD}$  voltage rises, the device “exits” Reset by crossing the  $V_{TRIP}$  voltage (below, or at,  $V_{TRIP(MAX)}$ ). After the “exit” state has been detected, the Reset Delay Timer ( $t_{RST}$ ) starts. When the  $t_{RST}$  time completes, the Reset pin is driven inactive.

**TABLE 4-3: RESET PIN STATES**

Device	State of $\overline{RST}$ Pin when:		State of RST Pin when:		Output Driver
	$V_{DD} < V_{TRIP}$	$V_{DD} > V_{TRIP}^{(1)}$	$V_{DD} < V_{TRIP}$	$V_{DD} > V_{TRIP}^{(1)}$	
TC1270A	L	H	—	—	Push-Pull
TC1271A	—	—	H	L	Push-Pull

**Note 1:** The  $\overline{RST}/RST$  pin will be driven inactive after the Reset Delay Timer ( $t_{RST}$ ) times out.



**FIGURE 4-8:**  $\overline{RST}$  Operation as determined by the  $V_{TRIP}$

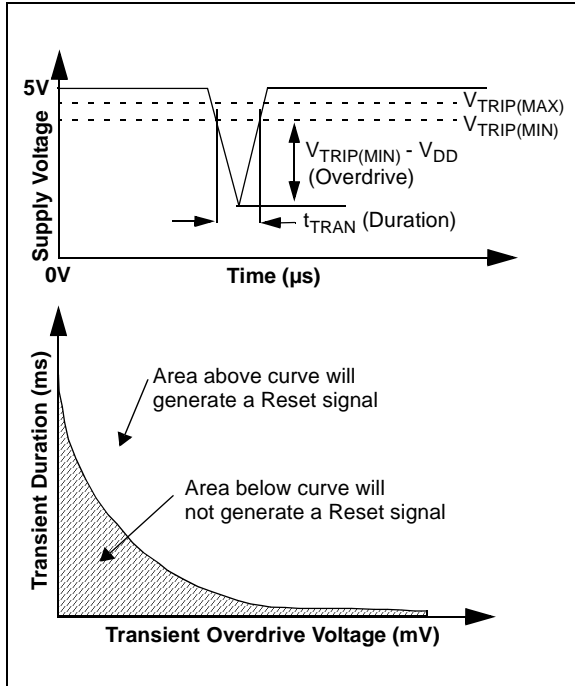
## 4.3 Negative-Going $V_{DD}$ Transients

The minimum pulse width (time) required to cause a Reset may be an important criteria in the implementation of a Power-on Reset (POR) circuit. This time is referred to as transient duration. The TC127XA devices are designed to reject a level of negative-going transients (glitches) on the power supply line.

Transient duration is the amount of time needed for these supervisory devices to respond to a drop in  $V_{DD}$ . The transient duration time ( $t_{TRAN}$ ) is dependent on the magnitude of  $V_{TRIP} - V_{DD}$  (overdrive). Any combination of duration and overdrive that lies under the duration/overdrive curve will not generate a Reset signal. Generally speaking, the transient duration time decreases with an increase in the  $V_{TRIP} - V_{DD}$  voltage.

Figure 4-9 shows an example transient duration vs. Reset comparator overdrive. It shows that the farther below the trip point the transient pulse goes, the shorter the duration of the pulse required to cause a Reset gets. So, any combination of duration and overdrive that lays **under** the curve will **not** generate a Reset signal. Combinations **above** the curve are detected as a brown-out or power-down.

Transient immunity can be improved by adding a bypass capacitor (typically 0.1  $\mu\text{F}$ ) as close as possible to the  $V_{DD}$  pin of the TC127XA device.



**FIGURE 4-9:** Example of Typical Transient Duration Waveform.

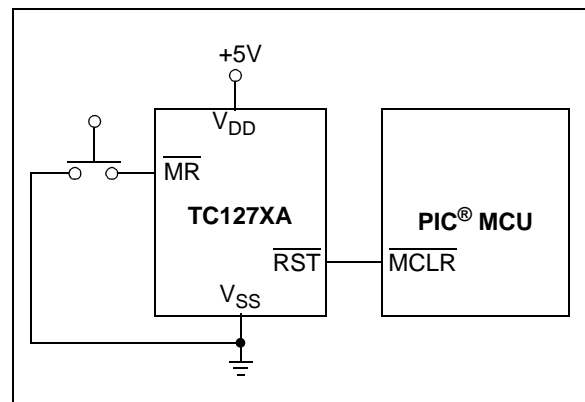
## 4.4 Manual Reset with Glitch Filter Circuit

The Manual Reset input pin ( $\overline{\text{MR}}$ ) allows the Reset pins ( $\text{RST}/\overline{\text{RST}}$ ) to be manually forced to their active states. The  $\overline{\text{MR}}$  pin has circuitry to filter noise pulses that may be present on the pin. Figure 4-10 shows a block diagram for using the TC127XA with a push button switch. To minimize the required external components, the  $\overline{\text{MR}}$  input has an internal pull-up resistor.

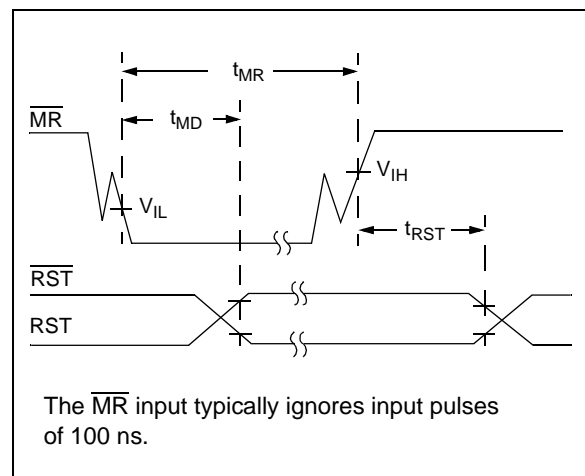
A mechanical push button or active logic signal can drive the  $\overline{\text{MR}}$  input.

Once  $\overline{\text{MR}}$  has been low for a time,  $t_{MD}$  (the manual Reset delay time), the Reset output pins are forced active. The Reset output pins will remain in their active states for the Reset Delay Timer time-out period ( $t_{RST}$ ).

Figure 4-11 shows a waveform for the manual Reset switch input and the Reset pins output.



**FIGURE 4-10:** Push Button Reset.



**FIGURE 4-11:**  $\overline{\text{MR}}$  Input – Push Button.

### 4.4.1 NOISE FILTER

The noise filter filters out noise spikes (glitches) on the Manual Reset pin ( $\overline{\text{MR}}$ ). Noise spikes less than 100 ns (typical) are filtered.

# TC1270A/70AN/71A

## 4.5 Reset Generator Circuit

The output signals from the voltage detect circuit and the manual Reset with glitch filter circuit are OR'd together and used to activate the Reset generator module.

After the Reset conditions have been removed (the  $\overline{MR}$  pin is no longer forced low and the input voltage is greater than the trip point voltage), the Reset generator circuit determines the Reset delay time-out required.

There are three options for the delay circuit. These are:

- 2.19 ms (typical) delay
- 35 ms (typical) delay
- 280 ms (typical) delay

### 4.5.1 RESET DELAY TIMER

The Reset Delay Timer ensures that the TC127XA device will "hold" the embedded system in Reset until the system voltage has stabilized. The Reset Delay Timer time-out is shown in [Table 4-4](#).

The Reset Delay Timer starts when the voltage detect circuit output AND the manual Reset with glitch filter circuit output become inactive. While the Reset Delay Timer is active, the  $\overline{RST}$  or RST pin is driven to the active state. When the Reset Delay Timer times out, the  $\overline{RST}$  or RST pin is driven inactive.

The Reset Delay Timer ( $t_{RST}$ ) starts after the device voltage rises above the "actual" trip point ( $V_{TRIP}$ ). When the Reset Delay Timer times out, the Reset output pin ( $\overline{RST}/RST$ ) is driven inactive.

The Reset Delay Timer is cleared if either, or both, the voltage detector circuit output and the manual Reset with glitch filter circuit output become active. The  $\overline{RST}$  or RST pin continues to be driven to the active state.

[Figure 4-12](#) illustrates when the Reset Delay Timer ( $t_{RST}$ ) is active or inactive.

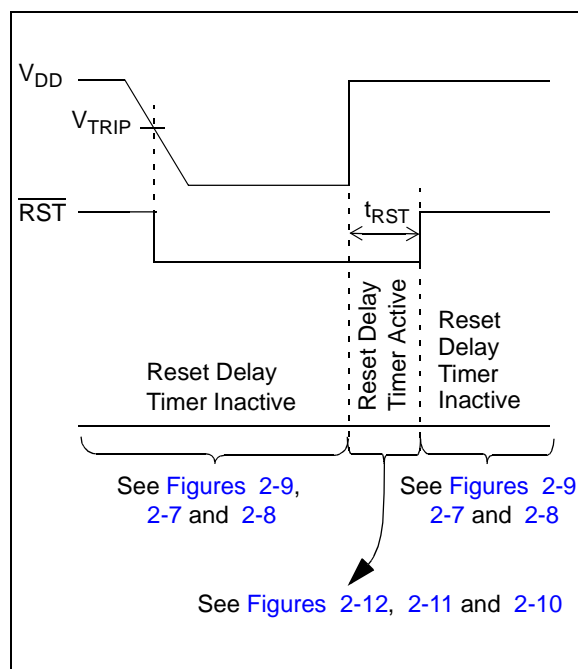
### 4.5.2 EFFECT OF TEMPERATURE ON RESET POWER-UP TIMER ( $t_{RPU}$ )

The Reset Delay Timer time-out period ( $t_{RST}$ ) determines how long the device remains in the Reset condition. This time out is affected by the device  $V_{DD}$  and the temperature. Typical responses for varying  $V_{DD}$  values and temperatures are presented in [Figures 2-28](#), [2-29](#) and [2-30](#).

**TABLE 4-4: RESET DELAY TIMER TIME OUTS**

$t_{RST}$			Units
Min	Typ	Max	
1.09	2.19	4.38	ms
17.5	35	70	ms
140	280	560	ms
↑		↑	
This is the minimum time that the Reset Delay Timer will "hold" the Reset pin active after $V_{DD}$ rises above $V_{TRIP}$		This is the maximum time that the Reset Delay Timer will "hold" the Reset pin active after $V_{DD}$ rises above $V_{TRIP}$	

**Note 1:** Shaded rows are custom-ordered time outs.



**FIGURE 4-12:** Reset Power-up Timer Waveform.

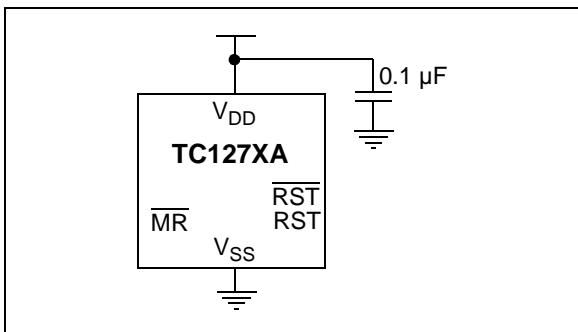


## 5.0 APPLICATION INFORMATION

This section presents application-related information that may be useful for your particular design requirements.

### 5.1 Supply Monitor Noise Sensitivity

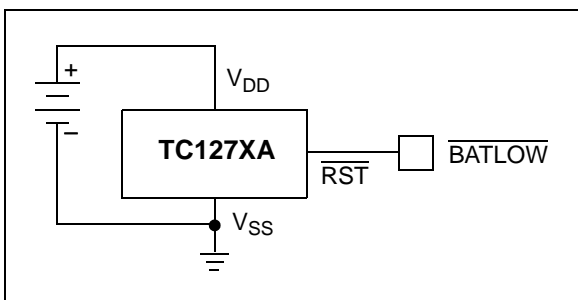
The TC127XA devices are optimized for fast responses to negative-going changes in  $V_{DD}$ . A system with an inordinate amount of electrical noise on  $V_{DD}$  (such as a system using relays) may require a 0.01  $\mu\text{F}$  or 0.1  $\mu\text{F}$  bypass capacitor to reduce detection sensitivity. This capacitor should be installed as close to the TC127XA as possible to keep the capacitor lead length short.



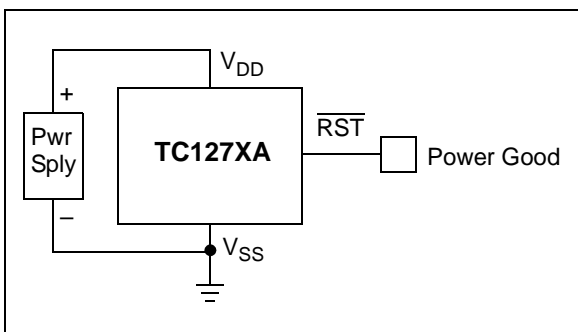
**FIGURE 5-1:** Typical Application Circuit with Bypass Capacitor.

### 5.2 Conventional Voltage Monitoring

Figure 5-2 and Figure 5-3 show the TC127XA in conventional voltage monitoring applications.



**FIGURE 5-2:** Battery Voltage Monitor.



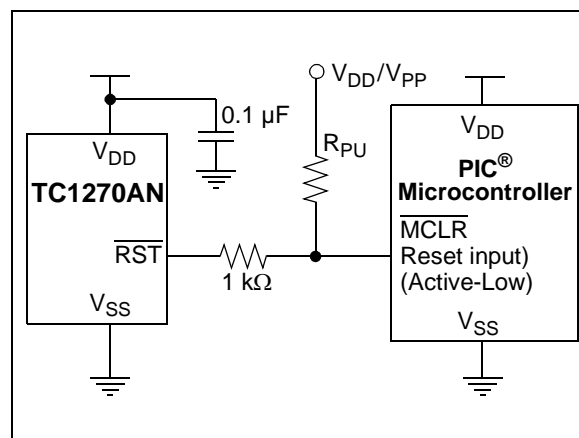
**FIGURE 5-3:** Power Good Monitor.

### 5.3 Using in PIC<sup>®</sup> Microcontroller, ICSP<sup>™</sup> Applications

**Note:** This operation can only be done using the device that has an Open-Drain  $\overline{\text{RST}}$  pin (TC1270AN).

Figure 5-4 shows the typical application circuit for using the TC1270AN for voltage supervisory function when the PIC microcontroller will be programmed via the In-Circuit Serial Programming<sup>™</sup> (ICSP<sup>™</sup>) feature. Additional information is available in the Microchip Technical Brief TB087, "Using Voltage Supervisors with PICmicro<sup>®</sup> Microcontroller Systems which Implement In-Circuit Serial Programming<sup>™</sup>" (DS91087).

**Note:** It is recommended that the current into the  $\overline{\text{RST}}$  pin is current that is limited by a 1 k $\Omega$  resistor.



**FIGURE 5-4:** Typical Application Circuit for PIC Microcontroller with the ICSP Feature.

# TC1270A/70AN/71A

## 5.4 Modifying The Trip Point, $V_{TRIP}$

Although the TC127XA device has a fixed voltage trip point ( $V_{TRIP}$ ), it can be necessary to make custom adjustments. This is accomplished by connecting an external resistor divider to the TC127XA  $V_{DD}$  pin. This causes the  $V_{SOURCE}$  voltage to be higher than it is when the TC127XA input equals its  $V_{TRIP}$  voltage (Figure 5-5).

To maintain detector accuracy, the bleeder current through the divider should be significantly higher than the 15  $\mu$ A maximum operating current required by the TC127XA. A reasonable value for this bleeder current is 1 mA (67 times the 10  $\mu$ A required by the TC127XA). For example, if  $V_{TRIP} = 2V$  and the desired trip point is 2.5V, the value of  $R_1 + R_2$  is 2.5 k $\Omega$  (2.5V/1 mA). The value of  $R_1 + R_2$  can be rounded to the nearest standard value and plugged into the equation shown in Figure 5-5 to calculate values for  $R_1$  and  $R_2$ .

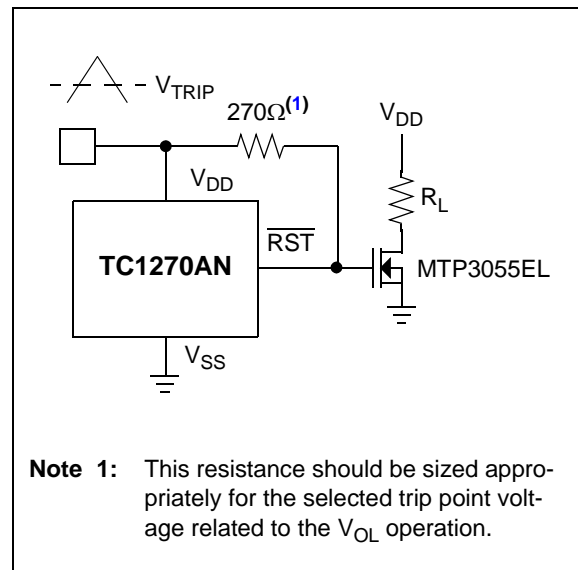
1% tolerance resistors are recommended.



**FIGURE 5-5:** Modifying Trip-Point using External Resistor Divider.

## 5.5 MOSFET Low-Drive Protection

Low operating power and small physical size make the TC1270AN series ideal for many voltage detector applications. Figure 5-6 shows a low-voltage gate drive protection circuit that prevents the logic-level MOSFET from overheating due to insufficient gate voltage. When the input signal is below the threshold of the TC1270AN, its output grounds the gate of the MOSFET.



**FIGURE 5-6:** MOSFET Low-Drive Protection.

## 5.6 Controllers and Processors With Bidirectional I/O Pins

Some microcontrollers have bidirectional Reset pins. Depending on the current drive capability of the controller pin, an indeterminate logic level may result if there is a logic conflict. This can be avoided by adding a 4.7 kΩ resistor in series with the output of the TC127XA (Figure 5-7). If there are other components in the system that require a Reset signal, they should be buffered so as not to load the Reset line. If the other components are required to follow the Reset I/O of the microcontroller, the buffer should be connected as shown with the solid line.



**FIGURE 5-7:** Interfacing the TC1270A or TC1271A Push-Pull Output to a Bidirectional Reset I/O pin.

## 5.7 Migration Paths

Figure 5-8 shows the 5-pin SOT-23 footprint of the TC1270A, TC1270AN and TC1271A devices. Devices that are in the 3-pin SOT-23 package could be used in that circuit with the loss of manual Reset functionality. Examples of compatible footprint devices in the SOT-23-3 package are the MCP111, MCP112, TC54 and TC51 devices. This allows the system to be designed to offer a “base” functionality and a higher end system with the “enhanced” functionality, which includes a manual Reset.



**FIGURE 5-8:** SOT-23 5-pin to 3-pin Comparison.

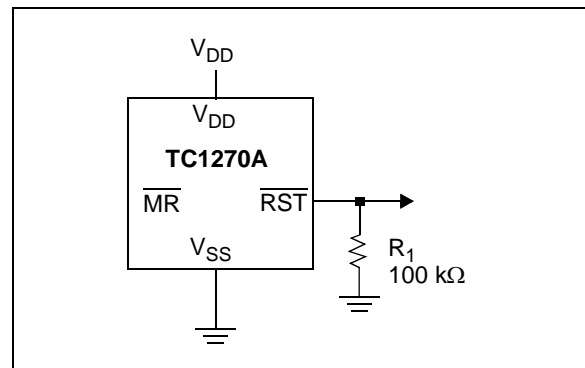
## 5.8 Reset Signal Integrity During Power-Down

The TC1270A and TC1271A Reset output is valid down to  $V_{DD} = 1.0V$ . Below this voltage the output becomes an “open circuit” and does not sink current. This means CMOS logic inputs to the microcontroller will be floating at an undetermined voltage. Most digital systems are completely shut down well above this voltage. However, in situations where the Reset signal must be maintained valid to  $V_{DD} = 0V$ , external circuitry is required.

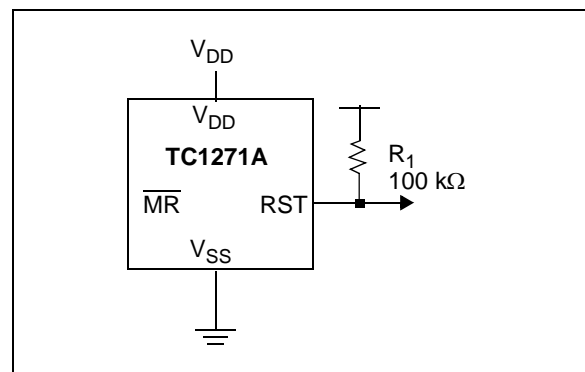
For devices where the Reset signal is active-low, a pull-down resistor must be connected from the TC1270A RST pin to ground to discharge stray capacitances and hold the output low (Figure 5-9).

Similarly for devices where the Reset signal is active-high, a pull-up resistor to  $V_{DD}$  is required to ensure a valid high RST signal for  $V_{DD}$  below 1.0V (Figure 5-10).

This resistor value, though not critical, should be chosen such that it does not appreciably load the Reset pin under normal operation (100 kΩ should be suitable for most applications).



**FIGURE 5-9:** Ensuring a valid active-low Reset pin output state as  $V_{DD}$  approaches 0V.



**FIGURE 5-10:** Ensuring a valid active-high Reset pin output state as  $V_{DD}$  approaches 0V.

# TC1270A/70AN/71A

---

NOTES:

# TC1270A/70AN/71A

## 6.0 STANDARD DEVICES

Configurations can include the following options:

Table 6-1 shows the standard devices, with order numbers, as well as the corresponding configurations.

- Voltage Trip Point ( $V_{TRIP}$ )
- Reset Time Out ( $t_{RST}$ )

**TABLE 6-1: STANDARD VERSIONS**

Device	Reset Threshold (V)				Reset Time Out (ms)				Package	Order Number	Replaces
	Minimum	Typical	Maximum	Code	Minimum	Typical	Maximum	Code <sup>(1)</sup>			
TC1270A	4.50	4.63	4.75	L	140	280	560	"blank"	SOT-23-5	TC1270ALVCTTR	—
									SOT-143	TC1270ALVRCTR	TC1270LERC/ TCM811LERC
TC1270A	4.25	4.38	4.50	M	140	280	560	"blank"	SOT-23-5	TC1270AMVCTTR	—
									SOT-143	TC1270AMVRCTR	TC1270MERC/ TCM811MERC
TC1270A	3.00	3.08	3.15	T	140	280	560	"blank"	SOT-23-5	TC1270ATVCTTR	—
									SOT-143	TC1270ATVRCTR	TC1270TERC/ TCM811TERC
TC1270A	2.85	2.93	3.00	S	140	280	560	"blank"	SOT-23-5	TC1270ASVCTTR	—
									SOT-143	TC1270ASVRCTR	TC1270SERC/ TCM811SERC
TC1270A	2.55	2.63	2.70	R	140	280	560	"blank"	SOT-23-5	TC1270ARVCTTR	—
									SOT-143	TC1270ARVRCTR	TC1270RERC/ TCM811RERC
TC1270AN	4.50	4.63	4.75	L	140	280	560	"blank"	SOT-23-5	TC1270ANLVCTTR	—
									SOT-143	TC1270ANLVRCTR	—
TC1270AN	4.25	4.38	4.50	M	140	280	560	"blank"	SOT-23-5	TC1270ANMVCTTR	—
									SOT-143	TC1270ANMVRCTR	—
TC1270AN	3.00	3.08	3.15	T	140	280	560	"blank"	SOT-23-5	TC1270ANTVCTTR	—
									SOT-143	TC1270ANTVRCTR	—
TC1270AN	2.85	2.93	3.00	S	140	280	560	"blank"	SOT-23-5	TC1270ANSVCTTR	—
									SOT-143	TC1270ANSVRCTR	—
TC1270AN	2.55	2.63	2.70	R	140	280	560	"blank"	SOT-23-5	TC1270ANRVCTTR	—
									SOT-143	TC1270ANRVRCTR	—
TC1271A	4.50	4.63	4.75	L	140	280	560	"blank"	SOT-23-5	TC1271ALVCTTR	—
									SOT-143	TC1271ALVRCTR	TC1271LERC/ TCM812LERC
TC1271A	4.25	4.38	4.50	M	140	280	560	"blank"	SOT-23-5	TC1271AMVCTTR	—
									SOT-143	TC1271AMVRCTR	TC1271MERC/ TCM812MERC
TC1271A	3.00	3.08	3.15	T	140	280	560	"blank"	SOT-23-5	TC1271ATVCTTR	—
									SOT-143	TC1271ATVRCTR	TC1271TERC/ TCM812TERC
TC1271A	2.85	2.93	3.00	S	140	280	560	"blank"	SOT-23-5	TC1271ASVCTTR	—
									SOT-143	TC1271ASVRCTR	TC1271SERC/ TCM812SERC
TC1271A	2.55	2.63	2.70	R	140	280	560	"blank"	SOT-23-5	TC1271ARVCTTR	—
									SOT-143	TC1271ARVRCTR	TC1271RERC/ TCM812RERC

**Note 1:** "A" time-out delay options are only standard in the SOT-23-5 package. SOT-143 package is a custom request.

# TC1270A/70AN/71A

---

NOTES:

## 7.0 CUSTOM CONFIGURATIONS

The following Custom Reset Trip Point is available (see [Table 7-1](#)).

**TABLE 7-1: CUSTOM TRIP POINT**

Trip Voltage Selection	$V_{TRIP(MAX)}/V_{TRIP(MIN)}$	- % From Regulated Voltage
		3.0V
(1)	2.85V	5.0%
	2.70V	10.0%

**Note 1:** Contact your local Microchip sales office for additional information.

[Table 7-2](#) shows the codes that specify the desired Reset time out ( $t_{RST}$ ) for custom devices.

**TABLE 7-2: DELAY TIME OUT ORDERING CODES**

Code	Reset Delay Time (Typ) (ms)	Comment
A	35	<a href="#">Note 1</a>
B	2.19	<a href="#">Note 1</a>
"blank"	280	Delay timings for standard device offerings

**Note 1:** This delay timing option is not the standard offering. For information on ordering devices with these delay times, contact your local Microchip sales office. Minimum purchase volumes are required.

# TC1270A/70AN/71A

---

NOTES:



## 8.0 DEVELOPMENT TOOLS

### 8.1 Evaluation/Demonstration Boards

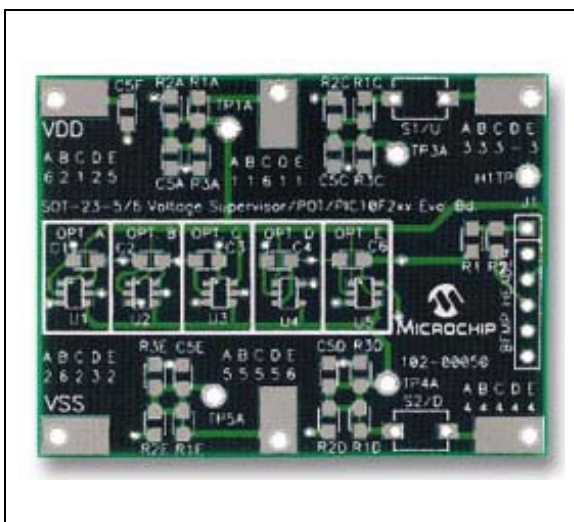
The SOT-23-5/6 Evaluation Board (VSUPEV2) can be used to evaluate the characteristics of the TC127XA devices.

This blank PCB has footprints for:

- Pull-up Resistor
- Pull-down Resistor
- Loading Capacitor
- In-line Resistor

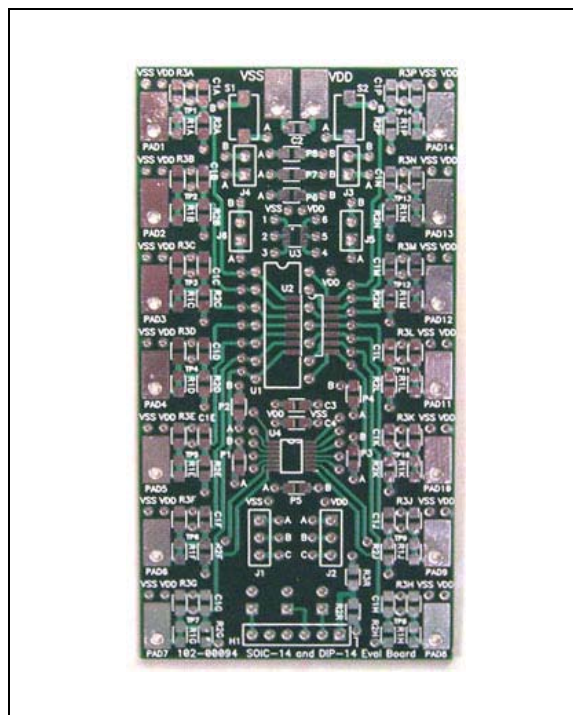
There is also a power supply filtering capacitor.

For evaluating the TC127XA devices, the selected device should be installed into the Option A footprint.



**FIGURE 8-1:** SOT-23-5/6 Voltage Supervisor Evaluation Board (VSUPEV2).

The SOIC-14 Evaluation Board (SOIC14EV) has a SOT-23-6 footprint that can be jumpered into any portion of the circuit. This will allow any footprint that the TC1270A requires in the SOT-23-5 package.



**FIGURE 8-2:** SOIC-14 Evaluation Board (Microchip Part Number SOIC14EV).

The PCB number, 102-00094, appears on the lower left side of the board. These evaluation boards can be purchased directly from the Microchip web site at [www.microchip.com](http://www.microchip.com).

# TC1270A/70AN/71A

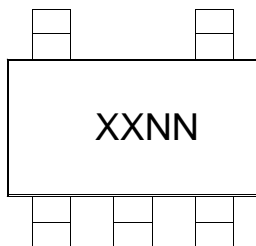
---

NOTES:

## 9.0 PACKAGING INFORMATION

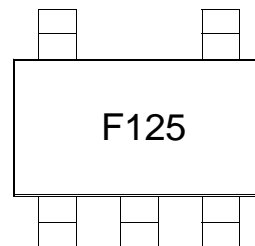
### 9.1 Package Marking Information

#### 5-Pin SOT-23

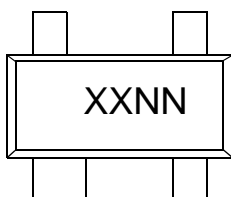


Part Number	Code	Part Number	Code
TC1270ALVCTTR	F1NN	TC1271ALVCTTR	J1NN
TC1270AMVCTTR	F2NN	TC1271AMVCTTR	J2NN
TC1270ATVCTTR	F3NN	TC1271ATVCTTR	J3NN
TC1270ASVCTTR	F4NN	TC1271ASVCTTR	J4NN
TC1270ARVCTTR	F5NN	TC1271ARVCTTR	J5NN
TC1270ANLVCTTR	FSNN		
TC1270ANMVCTTR	FTNN		
TC1270ANTVCTTR	FUNN		
TC1270ANSVCTTR	FVNN		
TC1270ANRVCTTR	FWNN		

Example:

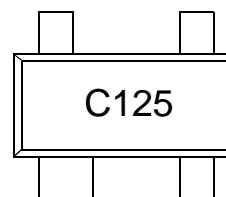


#### 4-Lead SOT-143



Part Number	Code	Part Number	Code
TC1270ALVRCTR	D1NN	TC1271ALVRCTR	C1NN
TC1270AMVRCTR	D2NN	TC1271AMVRCTR	C2NN
TC1270ATVRCTR	D3NN	TC1271ATVRCTR	C3NN
TC1270ASVRCTR	D4NN	TC1271ASVRCTR	C4NN
TC1270ARVRCTR	D5NN	TC1271ARVRCTR	C5NN
TC1270ANLVRCTR	E1NN		
TC1270ANMVRCTR	E2NN		
TC1270ANTVRCTR	E3NN		
TC1270ANSVRCTR	E4NN		
TC1270ANRVRCTR	E5NN		

Example:



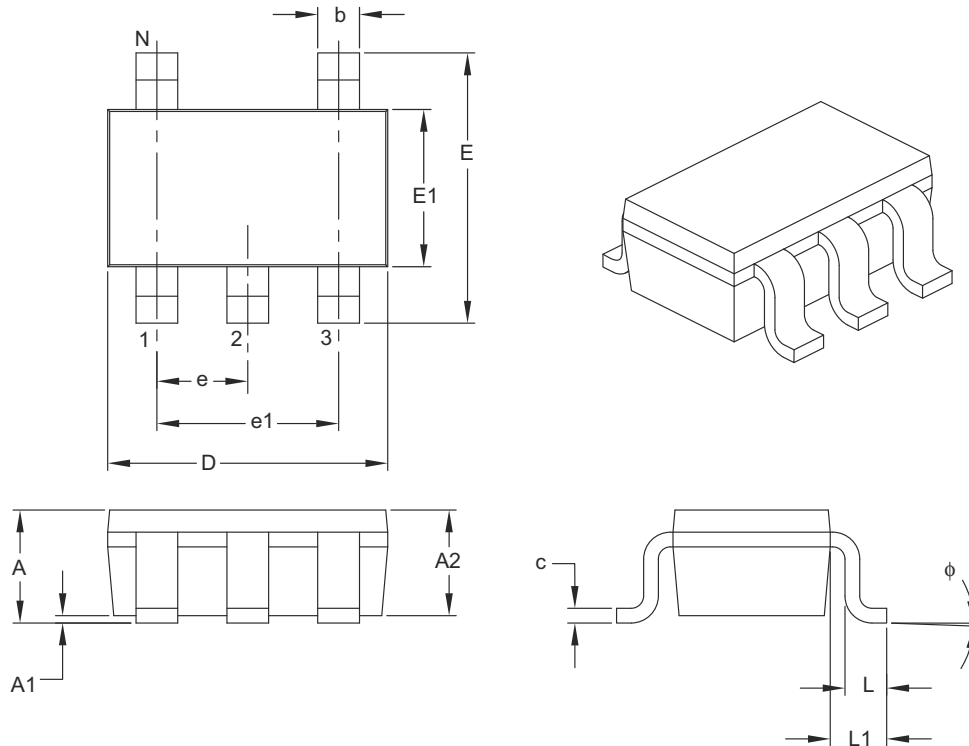
**Legend:** XX...X Customer-specific information  
 Y Year code (last digit of calendar year)  
 YY Year code (last 2 digits of calendar year)  
 WW Week code (week of January 1 is week '01')  
 NN Alphanumeric traceability code  
 Ⓜ Pb-free JEDEC designator for Matte Tin (Sn)  
 \* This package is Pb-free. The Pb-free JEDEC designator Ⓜ can be found on the outer packaging for this package.

**Note:** In the event the full Microchip part number cannot be marked on one line, it will be carried over to the next line, thus limiting the number of available characters for customer-specific information.

# TC1270A/70AN/71A

## 5-Lead Plastic Small Outline Transistor (CT) [SOT-23]

**Note:** For the most current package drawings, please see the Microchip Packaging Specification located at <http://www.microchip.com/packaging>



Dimension Limits	Units	MILLIMETERS		
		MIN	NOM	MAX
Number of Pins	N	5		
Lead Pitch	e	0.95 BSC		
Outside Lead Pitch	e1	1.90 BSC		
Overall Height	A	0.90	–	1.45
Molded Package Thickness	A2	0.89	–	1.30
Standoff	A1	0.00	–	0.15
Overall Width	E	2.20	–	3.20
Molded Package Width	E1	1.30	–	1.80
Overall Length	D	2.70	–	3.10
Foot Length	L	0.10	–	0.60
Footprint	L1	0.35	–	0.80
Foot Angle	$\phi$	0°	–	30°
Lead Thickness	c	0.08	–	0.26
Lead Width	b	0.20	–	0.51

**Notes:**

- Dimensions D and E1 do not include mold flash or protrusions. Mold flash or protrusions shall not exceed 0.127 mm per side.
- Dimensioning and tolerancing per ASME Y14.5M.

BSC: Basic Dimension. Theoretically exact value shown without tolerances.

Microchip Technology Drawing C04-091B

## 5-Lead Plastic Small Outline Transistor (CT) [SOT-23]

**Note:** For the most current package drawings, please see the Microchip Packaging Specification located at <http://www.microchip.com/packaging>



Dimension Limits	Units	MILLIMETERS		
		MIN	NOM	MAX
Contact Pitch	E	0.95 BSC		
Contact Pad Spacing	C		2.80	
Contact Pad Width (X5)	X			0.60
Contact Pad Length (X5)	Y			1.10
Distance Between Pads	G	1.70		
Distance Between Pads	GX	0.35		
Overall Width	Z			3.90

**Notes:**

1. Dimensioning and tolerancing per ASME Y14.5M

BSC: Basic Dimension. Theoretically exact value shown without tolerances.

Microchip Technology Drawing No. C04-2091A

# TC1270A/70AN/71A

## 4-Lead Plastic Small Outline Transistor (RC) [SOT-143]

**Note:** For the most current package drawings, please see the Microchip Packaging Specification located at <http://www.microchip.com/packaging>



Dimension Limits	Units	MILLIMETERS		
		MIN	NOM	MAX
Number of Pins	N	4		
Pitch	e	1.92 BSC		
Lead 1 Offset	e1	0.20 BSC		
Overall Height	A	0.80	–	1.22
Molded Package Thickness	A2	0.75	0.90	1.07
Standoff §	A1	0.01	–	0.15
Overall Width	E	2.10	–	2.64
Molded Package Width	E1	1.20	1.30	1.40
Overall Length	D	2.67	2.90	3.05
Foot Length	L	0.13	0.50	0.60
Footprint	L1	0.54 REF		
Foot Angle	φ	0°	–	8°
Lead Thickness	c	0.08	–	0.20
Lead 1 Width	b1	0.76	–	0.94
Leads 2, 3 & 4 Width	b	0.30	–	0.54

**Notes:**

- § Significant Characteristic.
- Dimensions D and E1 do not include mold flash or protrusions. Mold flash or protrusions shall not exceed 0.25 mm per side.
- Dimensioning and tolerancing per ASME Y14.5M.

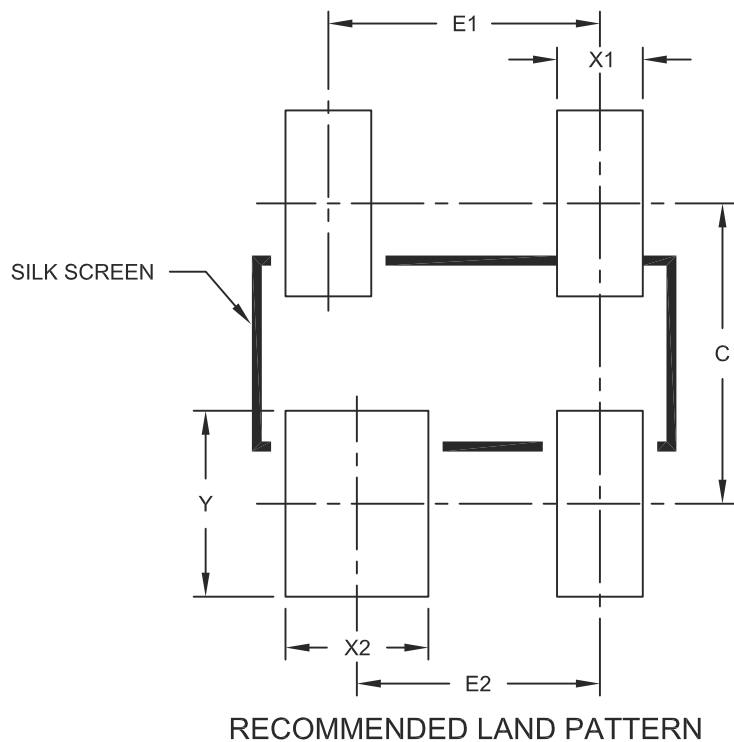
BSC: Basic Dimension. Theoretically exact value shown without tolerances.

REF: Reference Dimension, usually without tolerance, for information purposes only.

Microchip Technology Drawing C04-031B

## 4-Lead Plastic Small Outline Transistor (RC) [SOT-143]

**Note:** For the most current package drawings, please see the Microchip Packaging Specification located at <http://www.microchip.com/packaging>



Dimension Limits	Units	MILLIMETERS		
		MIN	NOM	MAX
Contact Pitch	E1	1.90 BSC		
Contact Pitch	E2	1.60 BSC		
Contact Width	X1			0.60
Contact Width	X2			1.00
Contact Length	Y			1.30
Contact Pad Spacing	C		2.10	

**Notes:**

1. Dimensioning and tolerancing per ASME Y14.5M

BSC: Basic Dimension. Theoretically exact value shown without tolerances.

Microchip Technology Drawing No. C04-2031A

# TC1270A/70AN/71A

## 9.2 Product Tape and Reel Specifications

**FIGURE 9-1: EMBOSSED CARRIER DIMENSIONS (8 MM TAPE ONLY)**



**TABLE 1: CARRIER TAPE/CAVITY DIMENSIONS**

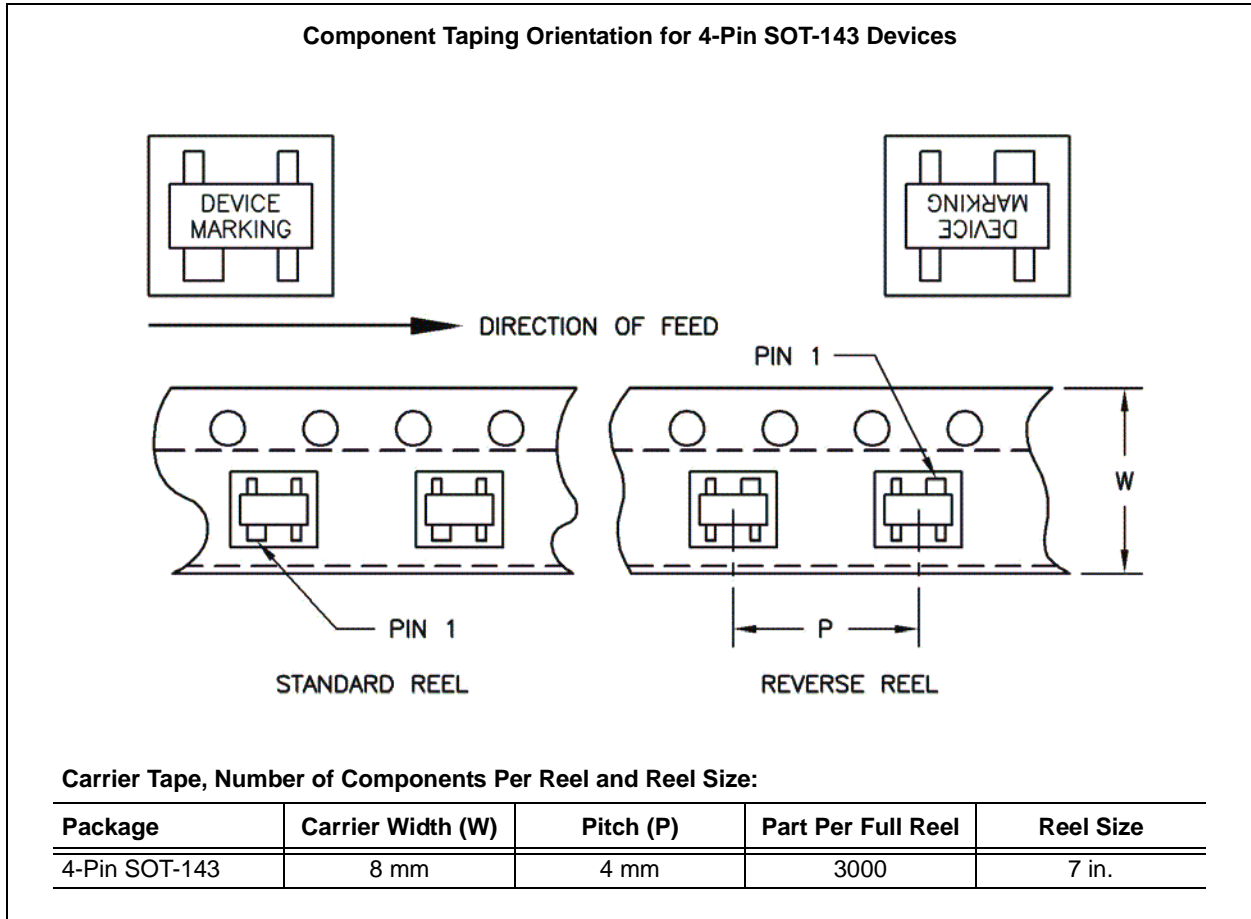
Case Outline	Package Type		Carrier Dimensions		Cavity Dimensions			Output Quantity Units	Reel Diameter in mm
			W mm	P mm	A0 mm	B0 mm	K0 mm		
CT	SOT-23	5L	8	4	3.23	3.17	1.37	3000	180
RC	SOT-143	4L	8	4	3.1	2.69	1.3	3000	330

**FIGURE 9-2: 5-LEAD SOT-23 DEVICE TAPE AND REEL SPECIFICATIONS**





**FIGURE 9-3: 4-LEAD SOT-143 DEVICE TAPE AND REEL SPECIFICATIONS**



# TC1270A/70AN/71A

---

NOTES:

## APPENDIX A: REVISION HISTORY

### Revision D (August 2011)

The following is the list of modifications:

1. Added the SOT-143 package to the TC1270AN device and related information throughout the document.

### Revision C (October 2010)

The following is the list of modifications:

1. Modified the Product Identification System section to reflect the custom manufacturing code used for devices with a Reset Delay time out of 35 ms (was a "C", now is an "A").
2. Clarified information presented in **Section 4.2 "Voltage Detect Circuit"** (page 21).

### Revision B (June 2007)

The following is the list of modifications:

1. Added new options:
  - Open-Drain output
  - New Reset Delay time outs.
2. Updated Package Outline Drawings
3. Updated Revision History
4. Added new options to Product Identification System

### Revision A (March 2007)

- Original Release of this Document.

# TC1270A/70AN/71A

---

NOTES:

# TC1270A/70AN/71A

## PRODUCT IDENTIFICATION SYSTEM

To order or obtain information, e.g., on pricing or delivery, refer to the factory or the listed sales office.

PART NO.	XX	X	X	XX	X
Device	V <sub>TRIP</sub> Options	Reset Delay Options	Temperature Range	Package	Tape/Reel Option
<p><b>Device:</b></p> <p>TC1270A: Voltage Supervisor with Manual Reset            TC1270AN: Voltage Supervisor with Manual Reset            TC1271A: Voltage Supervisor with Manual Reset</p> <p><b>V<sub>TRIP</sub> Options:</b></p> <p>R = 2.55V (min.) / 2.63V (typ.) / 2.70V (max.)            S = 2.85V (min.) / 2.93V (typ.) / 3.00V (max.)            T = 3.00V (min.) / 3.08V (typ.) / 3.15V (max.)            M = 4.25V (min.) / 4.38V (typ.) / 4.50V (max.)            L = 4.50V (min.) / 4.63V (typ.) / 4.75V (max.)</p> <p><b>Time-Out Options:</b></p> <p>“blank” = t<sub>RST</sub> = 280 ms (typ)            A = t<sub>RST</sub> = 35 ms (typ)            B = t<sub>RST</sub> = 2.19 ms (typ)</p> <p><b>Temperature Range:</b> V = -40°C to +125°C</p> <p><b>Package:</b></p> <p>CT = Plastic Small Outline Transistor, SOT-23, 5-lead            RC = Plastic Small Outline Transistor, SOT-143,            4-lead</p> <p><b>Tape/Reel Option:</b> TR = Tape and Reel</p>					
<p><b>Examples:</b></p> <p>a) TC1270ASVCTTR:            2.85V min./2.93V typ./3.00V max.            voltage trip point,            Push-pull active-low Reset,            Reset Delay Timer = 280 ms,            5-LD SOT-23, Tape and Reel,            -40°C to +125°C</p> <p>b) TC1270ALVRCTR:            4.50V min./4.63V typ./4.75V max.            voltage trip point,            Push-pull active-low Reset,            Reset Delay Timer = 280 ms,            4-LD SOT-143, Tape and Reel,            -40°C to +125°C</p> <p>c) TC1270ANMBVCTTR:            4.25V min./4.38V typ./4.50V max.            Open-drain active-low Reset,            Reset Delay Timer = 2.19 ms,            5-Lead SOT-23, Tape and Reel,            -40°C to +125°C</p> <p>d) TC1270ANLAVCT:            4.50V min./4.63V typ./4.75V max.            Open-drain active-low Reset,            Reset Delay Timer = 35 ms,            5-Lead SOT-23,            -40°C to +125°C</p> <p>e) TC1271ARVCTTR:            2.55V min./2.63V typ./2.70V max.            voltage trip point,            Push-pull active-high Reset,            Reset Delay Timer = 280 ms,            5-LD SOT-23, Tape and Reel,            -40°C to +125°C</p> <p>f) TC1271ATVRCTR:            3.00V min./3.08V typ./3.15V max.            voltage trip point,            Push-pull active-high Reset,            Reset Delay Timer = 280 ms,            4-LD SOT-143, Tape and Reel,            -40°C to +125°C</p>					

# TC1270A/70AN/71A

---

NOTES:

---

**Note the following details of the code protection feature on Microchip devices:**

- Microchip products meet the specification contained in their particular Microchip Data Sheet.
- Microchip believes that its family of products is one of the most secure families of its kind on the market today, when used in the intended manner and under normal conditions.
- There are dishonest and possibly illegal methods used to breach the code protection feature. All of these methods, to our knowledge, require using the Microchip products in a manner outside the operating specifications contained in Microchip's Data Sheets. Most likely, the person doing so is engaged in theft of intellectual property.
- Microchip is willing to work with the customer who is concerned about the integrity of their code.
- Neither Microchip nor any other semiconductor manufacturer can guarantee the security of their code. Code protection does not mean that we are guaranteeing the product as “unbreakable.”

Code protection is constantly evolving. We at Microchip are committed to continuously improving the code protection features of our products. Attempts to break Microchip's code protection feature may be a violation of the Digital Millennium Copyright Act. If such acts allow unauthorized access to your software or other copyrighted work, you may have a right to sue for relief under that Act.

---

Information contained in this publication regarding device applications and the like is provided only for your convenience and may be superseded by updates. It is your responsibility to ensure that your application meets with your specifications. MICROCHIP MAKES NO REPRESENTATIONS OR WARRANTIES OF ANY KIND WHETHER EXPRESS OR IMPLIED, WRITTEN OR ORAL, STATUTORY OR OTHERWISE, RELATED TO THE INFORMATION, INCLUDING BUT NOT LIMITED TO ITS CONDITION, QUALITY, PERFORMANCE, MERCHANTABILITY OR FITNESS FOR PURPOSE. Microchip disclaims all liability arising from this information and its use. Use of Microchip devices in life support and/or safety applications is entirely at the buyer's risk, and the buyer agrees to defend, indemnify and hold harmless Microchip from any and all damages, claims, suits, or expenses resulting from such use. No licenses are conveyed, implicitly or otherwise, under any Microchip intellectual property rights.

**Trademarks**

The Microchip name and logo, the Microchip logo, dsPIC, KEELOQ, KEELOQ logo, MPLAB, PIC, PICmicro, PICSTART, PIC<sup>32</sup> logo, rfPIC and UNI/O are registered trademarks of Microchip Technology Incorporated in the U.S.A. and other countries.

FilterLab, Hampshire, HI-TECH C, Linear Active Thermistor, MXDEV, MXLAB, SEEVAL and The Embedded Control Solutions Company are registered trademarks of Microchip Technology Incorporated in the U.S.A.

Analog-for-the-Digital Age, Application Maestro, chipKIT, chipKIT logo, CodeGuard, dsPICDEM, dsPICDEM.net, dsPICworks, dsSPEAK, ECAN, ECONOMONITOR, FanSense, HI-TIDE, In-Circuit Serial Programming, ICSP, Mindi, MiWi, MPASM, MPLAB Certified logo, MPLIB, MPLINK, mTouch, Omniscient Code Generation, PICC, PICC-18, PICDEM, PICDEM.net, PICKit, PICtail, REAL ICE, rfLAB, Select Mode, Total Endurance, TSHARC, UniWinDriver, WiperLock and ZENA are trademarks of Microchip Technology Incorporated in the U.S.A. and other countries.

SQTP is a service mark of Microchip Technology Incorporated in the U.S.A.

All other trademarks mentioned herein are property of their respective companies.

© 2007-2011, Microchip Technology Incorporated, Printed in the U.S.A., All Rights Reserved.

 Printed on recycled paper.

ISBN: 978-1-61341-466-8

*Microchip received ISO/TS-16949:2009 certification for its worldwide headquarters, design and wafer fabrication facilities in Chandler and Tempe, Arizona; Gresham, Oregon and design centers in California and India. The Company's quality system processes and procedures are for its PIC<sup>®</sup> MCUs and dsPIC<sup>®</sup> DSCs, KEELOQ<sup>®</sup> code hopping devices, Serial EEPROMs, microperipherals, nonvolatile memory and analog products. In addition, Microchip's quality system for the design and manufacture of development systems is ISO 9001:2000 certified.*

---

**QUALITY MANAGEMENT SYSTEM**  
**CERTIFIED BY DNV**  
**== ISO/TS 16949:2009 ==**



# MICROCHIP

## Worldwide Sales and Service

### AMERICAS

**Corporate Office**  
2355 West Chandler Blvd.  
Chandler, AZ 85224-6199  
Tel: 480-792-7200  
Fax: 480-792-7277  
Technical Support:  
<http://www.microchip.com/support>  
Web Address:  
[www.microchip.com](http://www.microchip.com)

**Atlanta**  
Duluth, GA  
Tel: 678-957-9614  
Fax: 678-957-1455

**Boston**  
Westborough, MA  
Tel: 774-760-0087  
Fax: 774-760-0088

**Chicago**  
Itasca, IL  
Tel: 630-285-0071  
Fax: 630-285-0075

**Cleveland**  
Independence, OH  
Tel: 216-447-0464  
Fax: 216-447-0643

**Dallas**  
Addison, TX  
Tel: 972-818-7423  
Fax: 972-818-2924

**Detroit**  
Farmington Hills, MI  
Tel: 248-538-2250  
Fax: 248-538-2260

**Indianapolis**  
Noblesville, IN  
Tel: 317-773-8323  
Fax: 317-773-5453

**Los Angeles**  
Mission Viejo, CA  
Tel: 949-462-9523  
Fax: 949-462-9608

**Santa Clara**  
Santa Clara, CA  
Tel: 408-961-6444  
Fax: 408-961-6445

**Toronto**  
Mississauga, Ontario,  
Canada  
Tel: 905-673-0699  
Fax: 905-673-6509

### ASIA/PACIFIC

**Asia Pacific Office**  
Suites 3707-14, 37th Floor  
Tower 6, The Gateway  
Harbour City, Kowloon  
Hong Kong  
Tel: 852-2401-1200  
Fax: 852-2401-3431

**Australia - Sydney**  
Tel: 61-2-9868-6733  
Fax: 61-2-9868-6755

**China - Beijing**  
Tel: 86-10-8569-7000  
Fax: 86-10-8528-2104

**China - Chengdu**  
Tel: 86-28-8665-5511  
Fax: 86-28-8665-7889

**China - Chongqing**  
Tel: 86-23-8980-9588  
Fax: 86-23-8980-9500

**China - Hangzhou**  
Tel: 86-571-2819-3187  
Fax: 86-571-2819-3189

**China - Hong Kong SAR**  
Tel: 852-2401-1200  
Fax: 852-2401-3431

**China - Nanjing**  
Tel: 86-25-8473-2460  
Fax: 86-25-8473-2470

**China - Qingdao**  
Tel: 86-532-8502-7355  
Fax: 86-532-8502-7205

**China - Shanghai**  
Tel: 86-21-5407-5533  
Fax: 86-21-5407-5066

**China - Shenyang**  
Tel: 86-24-2334-2829  
Fax: 86-24-2334-2393

**China - Shenzhen**  
Tel: 86-755-8203-2660  
Fax: 86-755-8203-1760

**China - Wuhan**  
Tel: 86-27-5980-5300  
Fax: 86-27-5980-5118

**China - Xian**  
Tel: 86-29-8833-7252  
Fax: 86-29-8833-7256

**China - Xiamen**  
Tel: 86-592-2388138  
Fax: 86-592-2388130

**China - Zhuhai**  
Tel: 86-756-3210040  
Fax: 86-756-3210049

### ASIA/PACIFIC

**India - Bangalore**  
Tel: 91-80-3090-4444  
Fax: 91-80-3090-4123

**India - New Delhi**  
Tel: 91-11-4160-8631  
Fax: 91-11-4160-8632

**India - Pune**  
Tel: 91-20-2566-1512  
Fax: 91-20-2566-1513

**Japan - Yokohama**  
Tel: 81-45-471- 6166  
Fax: 81-45-471-6122

**Korea - Daegu**  
Tel: 82-53-744-4301  
Fax: 82-53-744-4302

**Korea - Seoul**  
Tel: 82-2-554-7200  
Fax: 82-2-558-5932 or  
82-2-558-5934

**Malaysia - Kuala Lumpur**  
Tel: 60-3-6201-9857  
Fax: 60-3-6201-9859

**Malaysia - Penang**  
Tel: 60-4-227-8870  
Fax: 60-4-227-4068

**Philippines - Manila**  
Tel: 63-2-634-9065  
Fax: 63-2-634-9069

**Singapore**  
Tel: 65-6334-8870  
Fax: 65-6334-8850

**Taiwan - Hsin Chu**  
Tel: 886-3-5778-366  
Fax: 886-3-5770-955

**Taiwan - Kaohsiung**  
Tel: 886-7-536-4818  
Fax: 886-7-330-9305

**Taiwan - Taipei**  
Tel: 886-2-2500-6610  
Fax: 886-2-2508-0102

**Thailand - Bangkok**  
Tel: 66-2-694-1351  
Fax: 66-2-694-1350

### EUROPE

**Austria - Wels**  
Tel: 43-7242-2244-39  
Fax: 43-7242-2244-393

**Denmark - Copenhagen**  
Tel: 45-4450-2828  
Fax: 45-4485-2829

**France - Paris**  
Tel: 33-1-69-53-63-20  
Fax: 33-1-69-30-90-79

**Germany - Munich**  
Tel: 49-89-627-144-0  
Fax: 49-89-627-144-44

**Italy - Milan**  
Tel: 39-0331-742611  
Fax: 39-0331-466781

**Netherlands - Drunen**  
Tel: 31-416-690399  
Fax: 31-416-690340

**Spain - Madrid**  
Tel: 34-91-708-08-90  
Fax: 34-91-708-08-91

**UK - Wokingham**  
Tel: 44-118-921-5869  
Fax: 44-118-921-5820

08/02/11





Компания «ЭлектроПласт» предлагает заключение долгосрочных отношений при поставках импортных электронных компонентов на взаимовыгодных условиях!

Наши преимущества:

- Оперативные поставки широкого спектра электронных компонентов отечественного и импортного производства напрямую от производителей и с крупнейших мировых складов;
- Поставка более 17-ти миллионов наименований электронных компонентов;
- Поставка сложных, дефицитных, либо снятых с производства позиций;
- Оперативные сроки поставки под заказ (от 5 рабочих дней);
- Экспресс доставка в любую точку России;
- Техническая поддержка проекта, помощь в подборе аналогов, поставка прототипов;
- Система менеджмента качества сертифицирована по Международному стандарту ISO 9001;
- Лицензия ФСБ на осуществление работ с использованием сведений, составляющих государственную тайну;
- Поставка специализированных компонентов (Xilinx, Altera, Analog Devices, Intersil, Interpoint, Microsemi, Aeroflex, Peregrine, Syfer, Eurofarad, Texas Instrument, Miteq, Cobham, E2V, MA-COM, Hittite, Mini-Circuits, General Dynamics и др.);

Помимо этого, одним из направлений компании «ЭлектроПласт» является направление «Источники питания». Мы предлагаем Вам помощь Конструкторского отдела:

- Подбор оптимального решения, техническое обоснование при выборе компонента;
- Подбор аналогов;
- Консультации по применению компонента;
- Поставка образцов и прототипов;
- Техническая поддержка проекта;
- Защита от снятия компонента с производства.



#### Как с нами связаться

**Телефон:** 8 (812) 309 58 32 (многоканальный)

**Факс:** 8 (812) 320-02-42

**Электронная почта:** [org@eplast1.ru](mailto:org@eplast1.ru)

**Адрес:** 198099, г. Санкт-Петербург, ул. Калинина, дом 2, корпус 4, литера А.