



**CY7C1311KV18, CY7C1911KV18  
CY7C1313KV18, CY7C1315KV18**

## 18-Mbit QDR<sup>®</sup> II SRAM Four-Word Burst Architecture

### Features

- Separate independent read and write data ports
  - Supports concurrent transactions
- 333-MHz clock for high bandwidth
- Four-word burst for reducing address bus frequency
- Double data rate (DDR) interfaces on both read and write ports (data transferred at 666 MHz) at 333 MHz
- Two input clocks (K and  $\bar{K}$ ) for precise DDR timing
  - SRAM uses rising edges only
- Two Input Clocks for Output Data (C and  $\bar{C}$ ) to minimize Clock skew and flight time mismatches
- Echo clocks (CQ and  $\bar{CQ}$ ) simplify data capture in high speed systems
- Single multiplexed address input bus latches address inputs for read and write ports
- Separate port selects for depth expansion
- Synchronous internally self-timed writes
- QDR<sup>®</sup> II operates with 1.5 cycle read latency when  $\overline{\text{DOFF}}$  is asserted HIGH
- Operates similar to QDR I device with 1 cycle read latency when  $\overline{\text{DOFF}}$  is asserted LOW
- Available in  $\times 8$ ,  $\times 9$ ,  $\times 18$ , and  $\times 36$  configurations
- Full data coherency, providing most current data
- Core  $V_{DD} = 1.8 \text{ V}$  ( $\pm 0.1 \text{ V}$ ); I/O  $V_{DDQ} = 1.4 \text{ V}$  to  $V_{DD}$ 
  - Supports both 1.5 V and 1.8 V I/O supply
- Available in 165-ball FBGA package ( $13 \times 15 \times 1.4 \text{ mm}$ )
- Offered in both Pb-free and non Pb-free packages
- Variable drive HSTL output buffers
- JTAG 1149.1 compatible test access port
- PLL for accurate data placement

### Configurations

CY7C1311KV18 – 2 M  $\times$  8  
 CY7C1911KV18 – 2 M  $\times$  9  
 CY7C1313KV18 – 1 M  $\times$  18  
 CY7C1315KV18 – 512 K  $\times$  36

### Functional Description

The CY7C1311KV18, CY7C1911KV18, CY7C1313KV18, and CY7C1315KV18 are 1.8 V Synchronous Pipelined SRAMs, equipped with QDR II architecture. QDR II architecture consists of two separate ports: the read port and the write port to access the memory array. The read port has dedicated data outputs to support read operations and the write port has dedicated data inputs to support write operations. QDR II architecture has separate data inputs and data outputs to completely eliminate the need to ‘turnaround’ the data bus that exists with common I/O devices. Each port can be accessed through a common address bus. Addresses for read and write addresses are latched on alternate rising edges of the input (K) clock. Accesses to the QDR II read and write ports are independent of one another. To maximize data throughput, both read and write ports are equipped with DDR interfaces. Each address location is associated with four 8-bit words (CY7C1311KV18), 9-bit words (CY7C1911KV18), 18-bit words (CY7C1313KV18), or 36-bit words (CY7C1315KV18) that burst sequentially into or out of the device. Because data can be transferred into and out of the device on every rising edge of both input clocks (K and  $\bar{K}$  and C and  $\bar{C}$ ), memory bandwidth is maximized while simplifying system design by eliminating bus ‘turnarounds’.

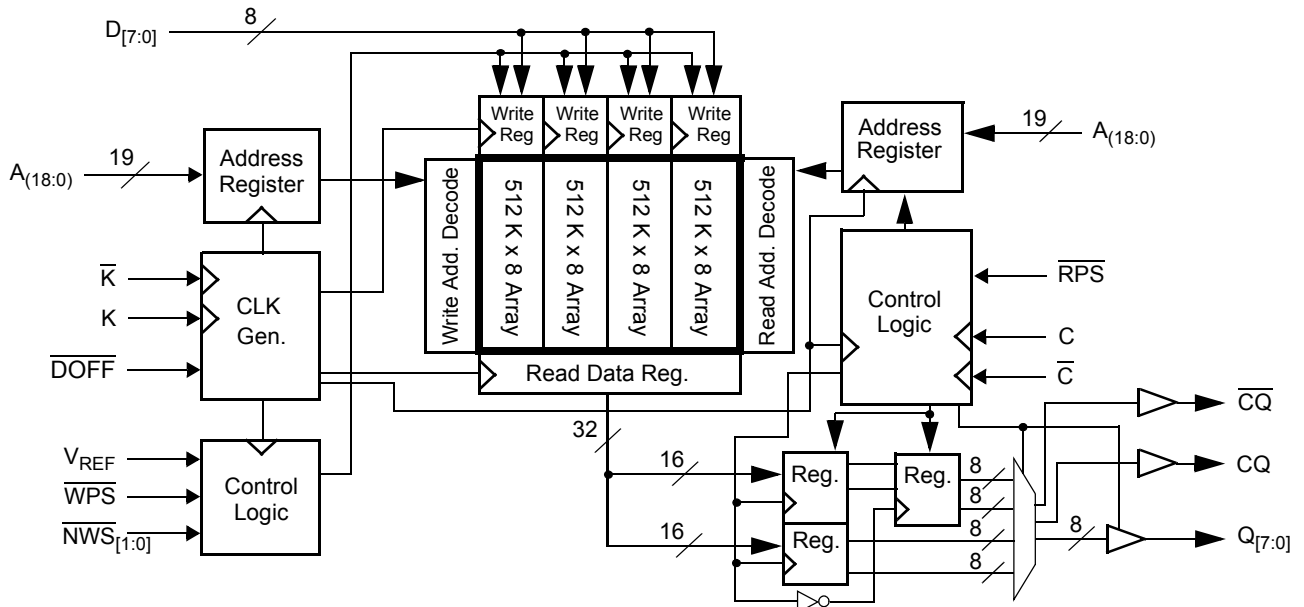
Depth expansion is accomplished with port selects, which enables each port to operate independently.

All synchronous inputs pass through input registers controlled by the K or  $\bar{K}$  input clocks. All data outputs pass through output registers controlled by the C or  $\bar{C}$  (or K or  $\bar{K}$  in a single clock domain) input clocks. Writes are conducted with on-chip synchronous self-timed write circuitry.

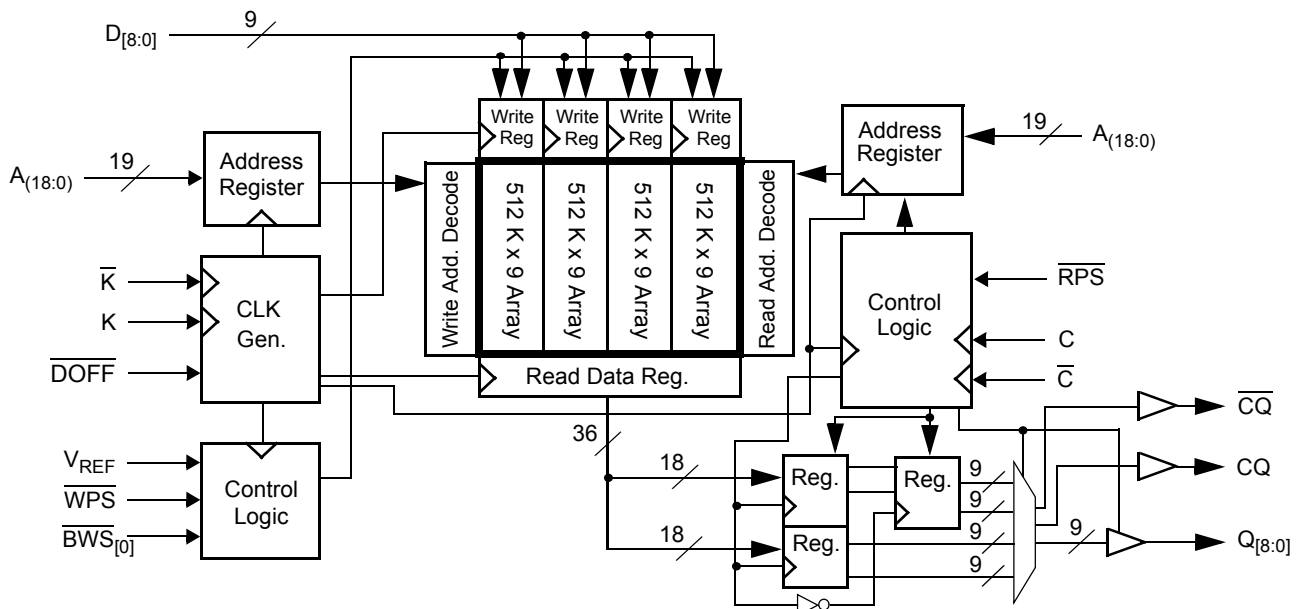
### Selection Guide

| Description                 |             | 333 MHz     | 300 MHz     | 250 MHz | Unit |
|-----------------------------|-------------|-------------|-------------|---------|------|
| Maximum operating frequency |             | 333         | 300         | 250     | MHz  |
| Maximum operating current   | $\times 8$  | Not Offered | Not Offered | 430     | mA   |
|                             | $\times 9$  | 520         | 490         | 430     |      |
|                             | $\times 18$ | 530         | 500         | 440     |      |
|                             | $\times 36$ | 730         | 670         | 590     |      |

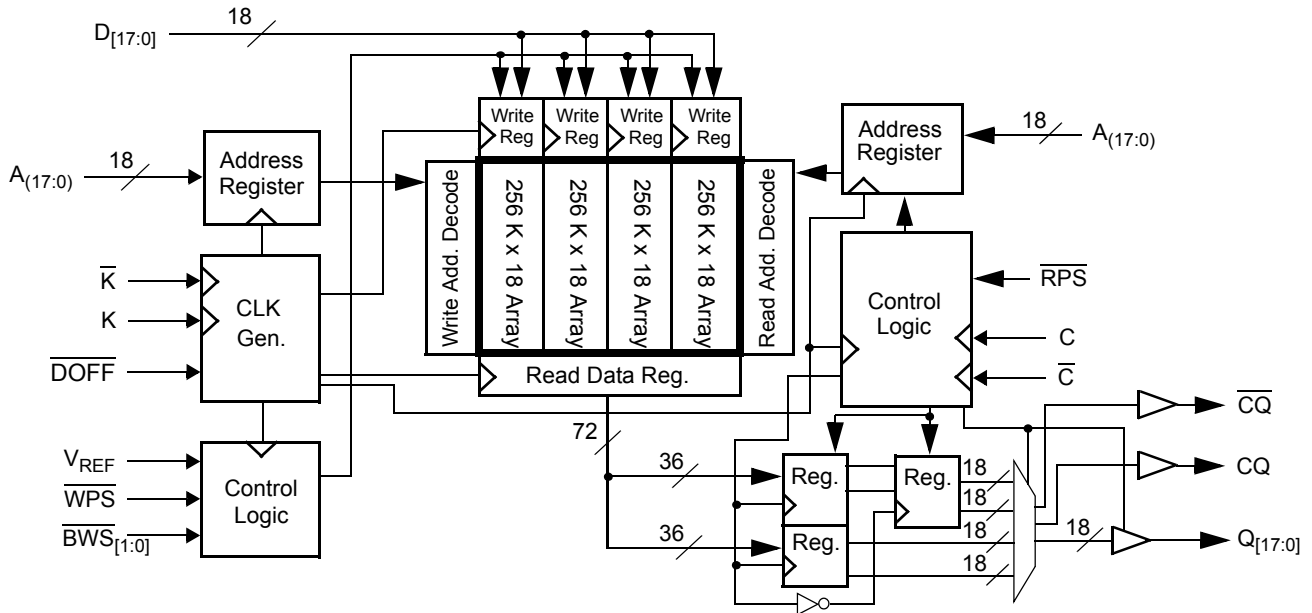
**Logic Block Diagram – CY7C1311KV18**



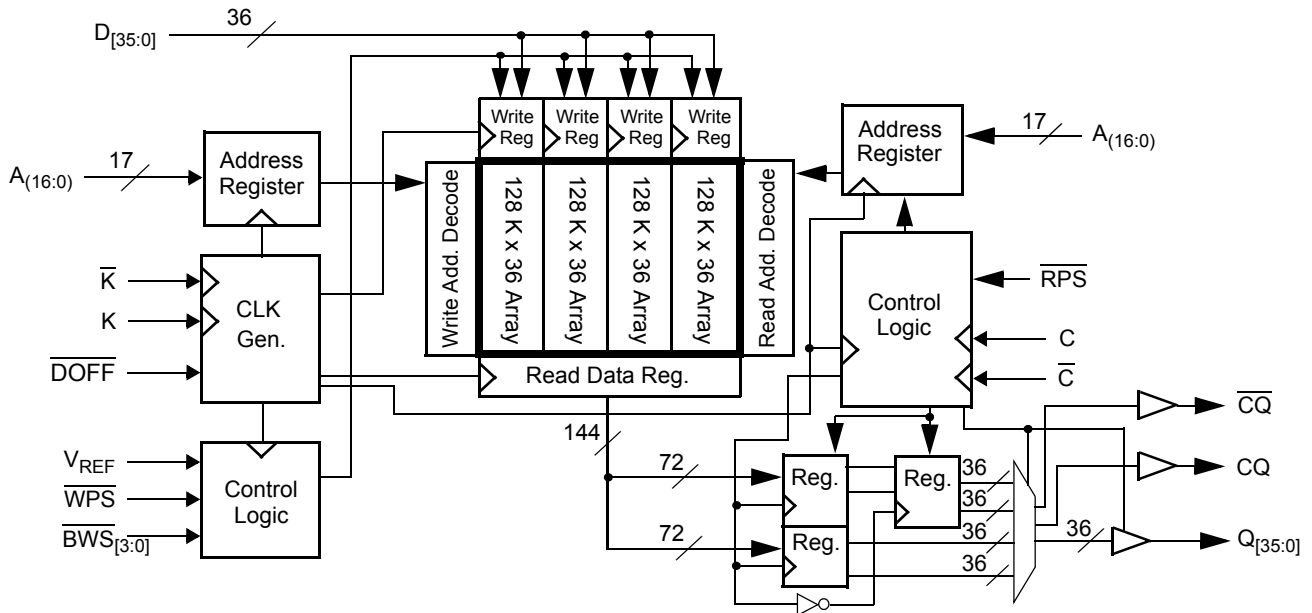
**Logic Block Diagram – CY7C1911KV18**



**Logic Block Diagram – CY7C1313KV18**



**Logic Block Diagram – CY7C1315KV18**



**Contents**

|  |           |  |           |
|--|-----------|--|-----------|
| <b>Pin Configurations</b> .....                      | <b>5</b>  | <b>Scan Register Sizes</b> .....                     | <b>19</b> |
| <b>Pin Definitions</b> .....                         | <b>7</b>  | <b>Instruction Codes</b> .....                       | <b>19</b> |
| <b>Functional Overview</b> .....                     | <b>9</b>  | <b>Boundary Scan Order</b> .....                     | <b>20</b> |
| Read Operations .....                                | 9         | <b>Power Up Sequence in QDR II SRAM</b> .....        | <b>21</b> |
| Write Operations .....                               | 9         | Power Up Sequence .....                              | 21        |
| Byte Write Operations .....                          | 9         | PLL Constraints .....                                | 21        |
| Single Clock Mode .....                              | 9         | <b>Maximum Ratings</b> .....                         | <b>22</b> |
| Concurrent Transactions .....                        | 9         | <b>Operating Range</b> .....                         | <b>22</b> |
| Depth Expansion .....                                | 10        | <b>Neutron Soft Error Immunity</b> .....             | <b>22</b> |
| Programmable Impedance .....                         | 10        | <b>Electrical Characteristics</b> .....              | <b>22</b> |
| Echo Clocks .....                                    | 10        | DC Electrical Characteristics .....                  | 22        |
| PLL .....  | 10        | AC Electrical Characteristics .....                  | 24        |
| <b>Application Example</b> .....                     | <b>10</b> | <b>Capacitance</b> .....                             | <b>24</b> |
| <b>Truth Table</b> .....                             | <b>11</b> | <b>Thermal Resistance</b> .....                      | <b>24</b> |
| <b>Write Cycle Descriptions</b> .....                | <b>11</b> | <b>AC Test Loads and Waveforms</b> .....             | <b>24</b> |
| <b>Write Cycle Descriptions</b> .....                | <b>12</b> | <b>Switching Characteristics</b> .....               | <b>25</b> |
| <b>Write Cycle Descriptions</b> .....                | <b>12</b> | <b>Switching Waveforms</b> .....                     | <b>27</b> |
| <b>IEEE 1149.1 Serial Boundary Scan (JTAG)</b> ..... | <b>13</b> | <b>Ordering Information</b> .....                    | <b>28</b> |
| Disabling the JTAG Feature .....                     | 13        | Ordering Code Definitions .....                      | 28        |
| Test Access Port .....                               | 13        | <b>Package Diagram</b> .....                         | <b>29</b> |
| Performing a TAP Reset .....                         | 13        | <b>Acronyms</b> .....                                | <b>30</b> |
| TAP Registers .....                                  | 13        | <b>Document Conventions</b> .....                    | <b>30</b> |
| TAP Instruction Set .....                            | 13        | Units of Measure .....                               | 30        |
| <b>TAP Controller State Diagram</b> .....            | <b>15</b> | <b>Document History Page</b> .....                   | <b>31</b> |
| <b>TAP Controller Block Diagram</b> .....            | <b>16</b> | <b>Sales, Solutions, and Legal Information</b> ..... | <b>32</b> |
| <b>TAP Electrical Characteristics</b> .....          | <b>16</b> | Worldwide Sales and Design Support .....             | 32        |
| <b>TAP AC Switching Characteristics</b> .....        | <b>17</b> | Products .....                                       | 32        |
| <b>TAP Timing and Test Conditions</b> .....          | <b>18</b> | PSoC Solutions .....                                 | 32        |
| <b>Identification Register Definitions</b> .....     | <b>19</b> |  |           |

## Pin Configurations

The pin configurations for CY7C1311KV18, CY7C1911KV18, CY7C1313KV18, and CY7C1315KV18 follow. <sup>[1]</sup>

**Figure 1. 165-ball FBGA (13 × 15 × 1.4 mm) pinout**

**CY7C1311KV18 (2 M × 8)**

|          | 1                        | 2         | 3         | 4                       | 5                         | 6                     | 7                         | 8                       | 9         | 10        | 11  |
|----------|--------------------------|-----------|-----------|-------------------------|---------------------------|-----------------------|---------------------------|-------------------------|-----------|-----------|-----|
| <b>A</b> | $\overline{\text{CQ}}$   | NC/72M    | A         | $\overline{\text{WPS}}$ | $\overline{\text{NWS}}_1$ | $\overline{\text{K}}$ | NC/144M                   | $\overline{\text{RPS}}$ | A         | NC/36M    | CQ  |
| <b>B</b> | NC                       | NC        | NC        | A                       | NC/288M                   | K                     | $\overline{\text{NWS}}_0$ | A                       | NC        | NC        | Q3  |
| <b>C</b> | NC                       | NC        | NC        | $V_{SS}$                | A                         | NC                    | A                         | $V_{SS}$                | NC        | NC        | D3  |
| <b>D</b> | NC                       | D4        | NC        | $V_{SS}$                | $V_{SS}$                  | $V_{SS}$              | $V_{SS}$                  | $V_{SS}$                | NC        | NC        | NC  |
| <b>E</b> | NC                       | NC        | Q4        | $V_{DDQ}$               | $V_{SS}$                  | $V_{SS}$              | $V_{SS}$                  | $V_{DDQ}$               | NC        | D2        | Q2  |
| <b>F</b> | NC                       | NC        | NC        | $V_{DDQ}$               | $V_{DD}$                  | $V_{SS}$              | $V_{DD}$                  | $V_{DDQ}$               | NC        | NC        | NC  |
| <b>G</b> | NC                       | D5        | Q5        | $V_{DDQ}$               | $V_{DD}$                  | $V_{SS}$              | $V_{DD}$                  | $V_{DDQ}$               | NC        | NC        | NC  |
| <b>H</b> | $\overline{\text{DOFF}}$ | $V_{REF}$ | $V_{DDQ}$ | $V_{DDQ}$               | $V_{DD}$                  | $V_{SS}$              | $V_{DD}$                  | $V_{DDQ}$               | $V_{DDQ}$ | $V_{REF}$ | ZQ  |
| <b>J</b> | NC                       | NC        | NC        | $V_{DDQ}$               | $V_{DD}$                  | $V_{SS}$              | $V_{DD}$                  | $V_{DDQ}$               | NC        | Q1        | D1  |
| <b>K</b> | NC                       | NC        | NC        | $V_{DDQ}$               | $V_{DD}$                  | $V_{SS}$              | $V_{DD}$                  | $V_{DDQ}$               | NC        | NC        | NC  |
| <b>L</b> | NC                       | Q6        | D6        | $V_{DDQ}$               | $V_{SS}$                  | $V_{SS}$              | $V_{SS}$                  | $V_{DDQ}$               | NC        | NC        | Q0  |
| <b>M</b> | NC                       | NC        | NC        | $V_{SS}$                | $V_{SS}$                  | $V_{SS}$              | $V_{SS}$                  | $V_{SS}$                | NC        | NC        | D0  |
| <b>N</b> | NC                       | D7        | NC        | $V_{SS}$                | A                         | A                     | A                         | $V_{SS}$                | NC        | NC        | NC  |
| <b>P</b> | NC                       | NC        | Q7        | A                       | A                         | C                     | A                         | A                       | NC        | NC        | NC  |
| <b>R</b> | TDO                      | TCK       | A         | A                       | A                         | $\overline{\text{C}}$ | A                         | A                       | A         | TMS       | TDI |

**CY7C1911KV18 (2 M × 9)**

|          | 1                        | 2         | 3         | 4                       | 5        | 6                     | 7                         | 8                       | 9         | 10        | 11  |
|----------|--------------------------|-----------|-----------|-------------------------|----------|-----------------------|---------------------------|-------------------------|-----------|-----------|-----|
| <b>A</b> | $\overline{\text{CQ}}$   | NC/72M    | A         | $\overline{\text{WPS}}$ | NC       | $\overline{\text{K}}$ | NC/144M                   | $\overline{\text{RPS}}$ | A         | NC/36M    | CQ  |
| <b>B</b> | NC                       | NC        | NC        | A                       | NC/288M  | K                     | $\overline{\text{BWS}}_0$ | A                       | NC        | NC        | Q4  |
| <b>C</b> | NC                       | NC        | NC        | $V_{SS}$                | A        | NC                    | A                         | $V_{SS}$                | NC        | NC        | D4  |
| <b>D</b> | NC                       | D5        | NC        | $V_{SS}$                | $V_{SS}$ | $V_{SS}$              | $V_{SS}$                  | $V_{SS}$                | NC        | NC        | NC  |
| <b>E</b> | NC                       | NC        | Q5        | $V_{DDQ}$               | $V_{SS}$ | $V_{SS}$              | $V_{SS}$                  | $V_{DDQ}$               | NC        | D3        | Q3  |
| <b>F</b> | NC                       | NC        | NC        | $V_{DDQ}$               | $V_{DD}$ | $V_{SS}$              | $V_{DD}$                  | $V_{DDQ}$               | NC        | NC        | NC  |
| <b>G</b> | NC                       | D6        | Q6        | $V_{DDQ}$               | $V_{DD}$ | $V_{SS}$              | $V_{DD}$                  | $V_{DDQ}$               | NC        | NC        | NC  |
| <b>H</b> | $\overline{\text{DOFF}}$ | $V_{REF}$ | $V_{DDQ}$ | $V_{DDQ}$               | $V_{DD}$ | $V_{SS}$              | $V_{DD}$                  | $V_{DDQ}$               | $V_{DDQ}$ | $V_{REF}$ | ZQ  |
| <b>J</b> | NC                       | NC        | NC        | $V_{DDQ}$               | $V_{DD}$ | $V_{SS}$              | $V_{DD}$                  | $V_{DDQ}$               | NC        | Q2        | D2  |
| <b>K</b> | NC                       | NC        | NC        | $V_{DDQ}$               | $V_{DD}$ | $V_{SS}$              | $V_{DD}$                  | $V_{DDQ}$               | NC        | NC        | NC  |
| <b>L</b> | NC                       | Q7        | D7        | $V_{DDQ}$               | $V_{SS}$ | $V_{SS}$              | $V_{SS}$                  | $V_{DDQ}$               | NC        | NC        | Q1  |
| <b>M</b> | NC                       | NC        | NC        | $V_{SS}$                | $V_{SS}$ | $V_{SS}$              | $V_{SS}$                  | $V_{SS}$                | NC        | NC        | D1  |
| <b>N</b> | NC                       | D8        | NC        | $V_{SS}$                | A        | A                     | A                         | $V_{SS}$                | NC        | NC        | NC  |
| <b>P</b> | NC                       | NC        | Q8        | A                       | A        | C                     | A                         | A                       | NC        | D0        | Q0  |
| <b>R</b> | TDO                      | TCK       | A         | A                       | A        | $\overline{\text{C}}$ | A                         | A                       | A         | TMS       | TDI |

**Note**

1. NC/36M, NC/72M, NC/144M, and NC/288M are not connected to the die and can be tied to any voltage level.

**Pin Configurations** (continued)

The pin configurations for CY7C1311KV18, CY7C1911KV18, CY7C1313KV18, and CY7C1315KV18 follow. [1]

**Figure 1. 165-ball FBGA (13 × 15 × 1.4 mm) pinout**

**CY7C1313KV18 (1 M × 18)**

|          | 1                        | 2         | 3         | 4                       | 5                         | 6                     | 7                         | 8                       | 9         | 10        | 11  |
|----------|--------------------------|-----------|-----------|-------------------------|---------------------------|-----------------------|---------------------------|-------------------------|-----------|-----------|-----|
| <b>A</b> | $\overline{\text{CQ}}$   | NC/144M   | NC/36M    | $\overline{\text{WPS}}$ | $\overline{\text{BWS}}_1$ | $\overline{\text{K}}$ | NC/288M                   | $\overline{\text{RPS}}$ | A         | NC/72M    | CQ  |
| <b>B</b> | NC                       | Q9        | D9        | A                       | NC                        | K                     | $\overline{\text{BWS}}_0$ | A                       | NC        | NC        | Q8  |
| <b>C</b> | NC                       | NC        | D10       | $V_{SS}$                | A                         | NC                    | A                         | $V_{SS}$                | NC        | Q7        | D8  |
| <b>D</b> | NC                       | D11       | Q10       | $V_{SS}$                | $V_{SS}$                  | $V_{SS}$              | $V_{SS}$                  | $V_{SS}$                | NC        | NC        | D7  |
| <b>E</b> | NC                       | NC        | Q11       | $V_{DDQ}$               | $V_{SS}$                  | $V_{SS}$              | $V_{SS}$                  | $V_{DDQ}$               | NC        | D6        | Q6  |
| <b>F</b> | NC                       | Q12       | D12       | $V_{DDQ}$               | $V_{DD}$                  | $V_{SS}$              | $V_{DD}$                  | $V_{DDQ}$               | NC        | NC        | Q5  |
| <b>G</b> | NC                       | D13       | Q13       | $V_{DDQ}$               | $V_{DD}$                  | $V_{SS}$              | $V_{DD}$                  | $V_{DDQ}$               | NC        | NC        | D5  |
| <b>H</b> | $\overline{\text{DOFF}}$ | $V_{REF}$ | $V_{DDQ}$ | $V_{DDQ}$               | $V_{DD}$                  | $V_{SS}$              | $V_{DD}$                  | $V_{DDQ}$               | $V_{DDQ}$ | $V_{REF}$ | ZQ  |
| <b>J</b> | NC                       | NC        | D14       | $V_{DDQ}$               | $V_{DD}$                  | $V_{SS}$              | $V_{DD}$                  | $V_{DDQ}$               | NC        | Q4        | D4  |
| <b>K</b> | NC                       | NC        | Q14       | $V_{DDQ}$               | $V_{DD}$                  | $V_{SS}$              | $V_{DD}$                  | $V_{DDQ}$               | NC        | D3        | Q3  |
| <b>L</b> | NC                       | Q15       | D15       | $V_{DDQ}$               | $V_{SS}$                  | $V_{SS}$              | $V_{SS}$                  | $V_{DDQ}$               | NC        | NC        | Q2  |
| <b>M</b> | NC                       | NC        | D16       | $V_{SS}$                | $V_{SS}$                  | $V_{SS}$              | $V_{SS}$                  | $V_{SS}$                | NC        | Q1        | D2  |
| <b>N</b> | NC                       | D17       | Q16       | $V_{SS}$                | A                         | A                     | A                         | $V_{SS}$                | NC        | NC        | D1  |
| <b>P</b> | NC                       | NC        | Q17       | A                       | A                         | C                     | A                         | A                       | NC        | D0        | Q0  |
| <b>R</b> | TDO                      | TCK       | A         | A                       | A                         | $\overline{\text{C}}$ | A                         | A                       | A         | TMS       | TDI |

**CY7C1315KV18 (512 K × 36)**

|          | 1                        | 2         | 3         | 4                       | 5                         | 6                     | 7                         | 8                       | 9         | 10        | 11  |
|----------|--------------------------|-----------|-----------|-------------------------|---------------------------|-----------------------|---------------------------|-------------------------|-----------|-----------|-----|
| <b>A</b> | $\overline{\text{CQ}}$   | NC/288M   | NC/72M    | $\overline{\text{WPS}}$ | $\overline{\text{BWS}}_2$ | $\overline{\text{K}}$ | $\overline{\text{BWS}}_1$ | $\overline{\text{RPS}}$ | NC/36M    | NC/144M   | CQ  |
| <b>B</b> | Q27                      | Q18       | D18       | A                       | $\overline{\text{BWS}}_3$ | K                     | $\overline{\text{BWS}}_0$ | A                       | D17       | Q17       | Q8  |
| <b>C</b> | D27                      | Q28       | D19       | $V_{SS}$                | A                         | NC                    | A                         | $V_{SS}$                | D16       | Q7        | D8  |
| <b>D</b> | D28                      | D20       | Q19       | $V_{SS}$                | $V_{SS}$                  | $V_{SS}$              | $V_{SS}$                  | $V_{SS}$                | Q16       | D15       | D7  |
| <b>E</b> | Q29                      | D29       | Q20       | $V_{DDQ}$               | $V_{SS}$                  | $V_{SS}$              | $V_{SS}$                  | $V_{DDQ}$               | Q15       | D6        | Q6  |
| <b>F</b> | Q30                      | Q21       | D21       | $V_{DDQ}$               | $V_{DD}$                  | $V_{SS}$              | $V_{DD}$                  | $V_{DDQ}$               | D14       | Q14       | Q5  |
| <b>G</b> | D30                      | D22       | Q22       | $V_{DDQ}$               | $V_{DD}$                  | $V_{SS}$              | $V_{DD}$                  | $V_{DDQ}$               | Q13       | D13       | D5  |
| <b>H</b> | $\overline{\text{DOFF}}$ | $V_{REF}$ | $V_{DDQ}$ | $V_{DDQ}$               | $V_{DD}$                  | $V_{SS}$              | $V_{DD}$                  | $V_{DDQ}$               | $V_{DDQ}$ | $V_{REF}$ | ZQ  |
| <b>J</b> | D31                      | Q31       | D23       | $V_{DDQ}$               | $V_{DD}$                  | $V_{SS}$              | $V_{DD}$                  | $V_{DDQ}$               | D12       | Q4        | D4  |
| <b>K</b> | Q32                      | D32       | Q23       | $V_{DDQ}$               | $V_{DD}$                  | $V_{SS}$              | $V_{DD}$                  | $V_{DDQ}$               | Q12       | D3        | Q3  |
| <b>L</b> | Q33                      | Q24       | D24       | $V_{DDQ}$               | $V_{SS}$                  | $V_{SS}$              | $V_{SS}$                  | $V_{DDQ}$               | D11       | Q11       | Q2  |
| <b>M</b> | D33                      | Q34       | D25       | $V_{SS}$                | $V_{SS}$                  | $V_{SS}$              | $V_{SS}$                  | $V_{SS}$                | D10       | Q1        | D2  |
| <b>N</b> | D34                      | D26       | Q25       | $V_{SS}$                | A                         | A                     | A                         | $V_{SS}$                | Q10       | D9        | D1  |
| <b>P</b> | Q35                      | D35       | Q26       | A                       | A                         | C                     | A                         | A                       | Q9        | D0        | Q0  |
| <b>R</b> | TDO                      | TCK       | A         | A                       | A                         | $\overline{\text{C}}$ | A                         | A                       | A         | TMS       | TDI |

## Pin Definitions

| Pin Name   | I/O                 | Pin Description  |
|--|---------------------|--|
| $D_{[x:0]}$  | Input-synchronous   | <b>Data Input Signals.</b> Sampled on the rising edge of K and $\bar{K}$ clocks when valid write operations are active.<br>CY7C1311KV18 – $D_{[7:0]}$<br>CY7C1911KV18 – $D_{[8:0]}$<br>CY7C1313KV18 – $D_{[17:0]}$<br>CY7C1315KV18 – $D_{[35:0]}$  |
| $\overline{WPS}$   | Input-synchronous   | <b>Write Port Select – Active LOW.</b> Sampled on the rising edge of the K clock. When asserted active, a write operation is initiated. Deasserting deselects the write port. Deselecting the write port ignores $D_{[x:0]}$ .   |
| $\overline{NWS}_0$ ,<br>$\overline{NWS}_1$   | Input-synchronous   | <b>Nibble Write Select 0, 1 – Active LOW (CY7C1311KV18 only).</b> Sampled on the rising edge of the K and $\bar{K}$ clocks when write operations are active. Used to select which nibble is written into the device during the current portion of the write operations. $\overline{NWS}_0$ controls $D_{[3:0]}$ and $\overline{NWS}_1$ controls $D_{[7:4]}$ . All the Nibble Write Selects are sampled on the same edge as the data. Deselecting a Nibble Write Select ignores the corresponding nibble of data and it is not written into the device.   |
| $\overline{BWS}_0$ ,<br>$\overline{BWS}_1$ ,<br>$\overline{BWS}_2$ ,<br>$\overline{BWS}_3$ | Input-synchronous   | <b>Byte Write Select 0, 1, 2, and 3 – Active LOW.</b> Sampled on the rising edge of the K and $\bar{K}$ clocks when write operations are active. Used to select which byte is written into the device during the current portion of the write operations. Bytes not written remain unaltered.<br>CY7C1911KV18 – $\overline{BWS}_0$ controls $D_{[8:0]}$<br>CY7C1313KV18 – $\overline{BWS}_0$ controls $D_{[8:0]}$ and $\overline{BWS}_1$ controls $D_{[17:9]}$ .<br>CY7C1315KV18 – $\overline{BWS}_0$ controls $D_{[8:0]}$ , $\overline{BWS}_1$ controls $D_{[17:9]}$ ,<br>$\overline{BWS}_2$ controls $D_{[26:18]}$ and $\overline{BWS}_3$ controls $D_{[35:27]}$ .<br>All the Byte Write Selects are sampled on the same edge as the data. Deselecting a Byte Write Select ignores the corresponding byte of data and it is not written into the device. |
| A  | Input-synchronous   | <b>Address Inputs.</b> Sampled on the rising edge of the K clock during active read and write operations. These address inputs are multiplexed for both read and write operations. Internally, the device is organized as 2 M × 8 (4 arrays each of 512 K × 8) for CY7C1311KV18, 2 M × 9 (4 arrays each of 512 K × 9) for CY7C1911KV18, 1 M × 18 (4 arrays each of 256 K × 18) for CY7C1313KV18 and 512 K × 36 (4 arrays each of 128 K × 36) for CY7C1315KV18. Therefore, only 19 address inputs are needed to access the entire memory array of CY7C1311KV18 and CY7C1911KV18, 18 address inputs for CY7C1313KV18 and 17 address inputs for CY7C1315KV18. These inputs are ignored when the appropriate port is deselected.   |
| $Q_{[x:0]}$  | Outputs-synchronous | <b>Data Output Signals.</b> These pins drive out the requested data when the read operation is active. Valid data is driven out on the rising edge of the C and $\bar{C}$ clocks during read operations, or K and $\bar{K}$ when in single clock mode. On deselecting the read port, $Q_{[x:0]}$ are automatically tristated.<br>CY7C1311KV18 – $Q_{[7:0]}$<br>CY7C1911KV18 – $Q_{[8:0]}$<br>CY7C1313KV18 – $Q_{[17:0]}$<br>CY7C1315KV18 – $Q_{[35:0]}$  |
| $\overline{RPS}$   | Input-synchronous   | <b>Read Port Select – Active LOW.</b> Sampled on the rising edge of positive input clock (K). When active, a read operation is initiated. Deasserting deselects the read port. When deselected, the pending access is allowed to complete and the output drivers are automatically tristated following the next rising edge of the C clock. Each read access consists of a burst of four sequential transfers.   |
| C  | Input clock         | <b>Positive Input Clock for Output Data.</b> C is used in conjunction with $\bar{C}$ to clock out the read data from the device. C and $\bar{C}$ can be used together to deskew the flight times of various devices on the board back to the controller. See <a href="#">Application Example on page 10</a> for further details.   |
| $\bar{C}$  | Input clock         | <b>Negative Input Clock for Output Data.</b> $\bar{C}$ is used in conjunction with C to clock out the read data from the device. C and $\bar{C}$ can be used together to deskew the flight times of various devices on the board back to the controller. See <a href="#">Application Example on page 10</a> for further details.   |
| K  | Input clock         | <b>Positive Input Clock Input.</b> The rising edge of K is used to capture synchronous inputs to the device and to drive out data through $Q_{[x:0]}$ when in single clock mode. All accesses are initiated on the rising edge of K.   |
| $\bar{K}$  | Input clock         | <b>Negative Input Clock Input.</b> $\bar{K}$ is used to capture synchronous inputs being presented to the device and to drive out data through $Q_{[x:0]}$ when in single clock mode.  |

**Pin Definitions** (continued)

| Pin Name                 | I/O             | Pin Description  |
|--------------------------|-----------------|--|
| CQ                       | Echo clock      | <b>CQ Referenced with Respect to C.</b> This is a free running clock and is synchronized to the input clock for output data (C) of the QDR II. In the single clock mode, CQ is generated with respect to K. The timings for the echo clocks are shown in the <a href="#">Switching Characteristics on page 25</a> .  |
| $\overline{\text{CQ}}$   | Echo clock      | <b><math>\overline{\text{CQ}}</math> Referenced with Respect to <math>\overline{\text{C}}</math>.</b> This is a free running clock and is synchronized to the input clock for output data ( $\overline{\text{C}}$ ) of the QDR II. In the single clock mode, $\overline{\text{CQ}}$ is generated with respect to K. The timings for the echo clocks are shown in the <a href="#">Switching Characteristics on page 25</a> .  |
| ZQ                       | Input           | <b>Output Impedance Matching Input.</b> This input is used to tune the device outputs to the system data bus impedance. CQ, $\overline{\text{CQ}}$ , and $Q_{[x:0]}$ output impedance are set to $0.2 \times RQ$ , where RQ is a resistor connected between ZQ and ground. Alternatively, this pin can be connected directly to $V_{DDQ}$ , which enables the minimum impedance mode. This pin cannot be connected directly to GND or left unconnected.            |
| $\overline{\text{DOFF}}$ | Input           | <b>PLL Turn Off – Active LOW.</b> Connecting this pin to ground turns off the PLL inside the device. The timings in the PLL turned off operation differs from those listed in this data sheet. For normal operation, this pin is connected to a pull up through a 10 k $\Omega$ or less pull up resistor. The device behaves in QDR I mode when the PLL is turned off. In this mode, the device can be operated at a frequency of up to 167 MHz with QDR I timing. |
| TDO                      | Output          | <b>TDO Pin for JTAG.</b>   |
| TCK                      | Input           | <b>TCK Pin for JTAG.</b>   |
| TDI                      | Input           | <b>TDI Pin for JTAG.</b>   |
| TMS                      | Input           | <b>TMS Pin for JTAG.</b>   |
| NC                       | N/A             | <b>Not Connected to the Die.</b> Can be tied to any voltage level.   |
| NC/36M                   | N/A             | <b>Not Connected to the Die.</b> Can be tied to any voltage level.   |
| NC/72M                   | N/A             | <b>Not Connected to the Die.</b> Can be tied to any voltage level.   |
| NC/144M                  | N/A             | <b>Not Connected to the Die.</b> Can be tied to any voltage level.   |
| NC/288M                  | N/A             | <b>Not Connected to the Die.</b> Can be tied to any voltage level.   |
| $V_{REF}$                | Input-reference | <b>Reference Voltage Input.</b> Static input used to set the reference level for HSTL inputs, outputs, and AC measurement points.  |
| $V_{DD}$                 | Power supply    | <b>Power Supply Inputs to the Core of the Device.</b>  |
| $V_{SS}$                 | Ground          | <b>Ground for the Device.</b>  |
| $V_{DDQ}$                | Power supply    | <b>Power Supply Inputs for the Outputs of the Device.</b>  |



## Functional Overview

The CY7C1311KV18, CY7C1911KV18, CY7C1313KV18, CY7C1315KV18 are synchronous pipelined Burst SRAMs with a read port and a write port. The read port is dedicated to read operations and the write port is dedicated to write operations. Data flows into the SRAM through the write port and flows out through the read port. These devices multiplex the address inputs to minimize the number of address pins required. By having separate read and write ports, the QDR II completely eliminates the need to turn around the data bus and avoids any possible data contention, thereby simplifying system design. Each access consists of four 8-bit data transfers in the case of CY7C1311KV18, four 9-bit data transfers in the case of CY7C1911KV18, four 18-bit data transfers in the case of CY7C1313KV18, and four 36-bit data transfers in the case of CY7C1315KV18 in two clock cycles.

This device operates with a read latency of one and half cycles when  $\overline{\text{DOFF}}$  pin is tied HIGH. When  $\overline{\text{DOFF}}$  pin is set LOW or connected to  $V_{SS}$  then device behaves in QDR I mode with a read latency of one clock cycle.

Accesses for both ports are initiated on the positive input clock (K). All synchronous input timing is referenced from the rising edge of the input clocks (K and  $\overline{K}$ ) and all output timing is referenced to the output clocks (C and  $\overline{C}$ , or K and  $\overline{K}$  when in single clock mode).

All synchronous data inputs ( $D_{[x:0]}$ ) pass through input registers controlled by the input clocks (K and  $\overline{K}$ ). All synchronous data outputs ( $Q_{[x:0]}$ ) pass through output registers controlled by the rising edge of the output clocks (C and  $\overline{C}$ , or K and  $\overline{K}$  when in single clock mode).

All synchronous control ( $\overline{\text{RPS}}$ ,  $\overline{\text{WPS}}$ ,  $\overline{\text{BWS}}_{[x:0]}$ ) inputs pass through input registers controlled by the rising edge of the input clocks (K and  $\overline{K}$ ).

CY7C1313KV18 is described in the following sections. The same basic descriptions apply to CY7C1311KV18, CY7C1911KV18 and CY7C1315KV18.

### Read Operations

The CY7C1313KV18 is organized internally as four arrays of  $256 K \times 18$ . Accesses are completed in a burst of four sequential 18-bit data words. Read operations are initiated by asserting  $\overline{\text{RPS}}$  active at the rising edge of the positive input clock (K). The address presented to the address inputs is stored in the read address register. Following the next K clock rise, the corresponding lowest order 18-bit word of data is driven onto the  $Q_{[17:0]}$  using  $\overline{C}$  as the output timing reference. On the subsequent rising edge of C, the next 18-bit data word is driven onto the  $Q_{[17:0]}$ . This process continues until all four 18-bit data words are driven out onto  $Q_{[17:0]}$ . The requested data is valid 0.45 ns from the rising edge of the output clock (C or  $\overline{C}$ , or K or  $\overline{K}$  when in single clock mode). To maintain the internal logic, each read access must be enabled to complete. Each read access consists of four 18-bit data words and takes two clock cycles to complete. Therefore, read accesses to the device cannot be initiated on two consecutive K clock rises. The internal logic of the device ignores the second read request. Read accesses can be initiated on every other K clock rise. Doing so pipelines the data flow such that data is transferred out of the device on every

rising edge of the output clocks (C and  $\overline{C}$ , or K and  $\overline{K}$  when in single clock mode).

When the read port is deselected, the CY7C1313KV18 first completes the pending read transactions. Synchronous internal circuitry automatically tristates the outputs following the next rising edge of the positive output clock (C). This enables a seamless transition between devices without the insertion of wait states in a depth expanded memory.

### Write Operations

Write operations are initiated by asserting  $\overline{\text{WPS}}$  active at the rising edge of the positive input clock (K). On the following K clock rise the data presented to  $D_{[17:0]}$  is latched and stored into the lower 18-bit write data register, provided  $\overline{\text{BWS}}_{[1:0]}$  are both asserted active. On the subsequent rising edge of the negative input clock ( $\overline{K}$ ) the information presented to  $D_{[17:0]}$  is also stored into the write data register, provided  $\overline{\text{BWS}}_{[1:0]}$  are both asserted active. This process continues for one more cycle until four 18-bit words (a total of 72 bits) of data are stored in the SRAM. The 72 bits of data are then written into the memory array at the specified location. Therefore, write accesses to the device cannot be initiated on two consecutive K clock rises. The internal logic of the device ignores the second write request. Write accesses can be initiated on every other rising edge of the positive input clock (K). Doing so pipelines the data flow such that 18 bits of data can be transferred into the device on every rising edge of the input clocks (K and  $\overline{K}$ ).

When deselected, the write port ignores all inputs after the pending write operations are completed.

### Byte Write Operations

Byte write operations are supported by the CY7C1313KV18. A write operation is initiated as described in the [Write Operations section](#). The bytes that are written are determined by  $\text{BWS}_0$  and  $\text{BWS}_1$ , which are sampled with each set of 18-bit data words. Asserting the appropriate Byte Write Select input during the data portion of a write latches the data being presented and writes it into the device. Deasserting the Byte Write Select input during the data portion of a write enables the data stored in the device for that byte to remain unaltered. This feature is used to simplify read, modify, or write operations to a byte write operation.

### Single Clock Mode

The CY7C1313KV18 is used with a single clock that controls both the input and output registers. In this mode the device recognizes only a single pair of input clocks (K and  $\overline{K}$ ) that control both the input and output registers. This operation is identical to the operation if the device had zero skew between the  $\overline{K}/K$  and  $\overline{C}/C$  clocks. All timing parameters remain the same in this mode. To use this mode of operation, the user must tie C and  $\overline{C}$  HIGH at power on. This function is a strap option and not alterable during device operation.

### Concurrent Transactions

The read and write ports on the CY7C1313KV18 operate independently of one another. As each port latches the address inputs on different clock edges, the user can read or write to any location, regardless of the transaction on the other port. If the ports access the same location when a read follows a write in successive clock cycles, the SRAM delivers the most recent



## Truth Table

The truth table for CY7C1311KV18, CY7C1911KV18, CY7C1313KV18, and CY7C1315KV18 follow. [2, 3, 4, 5, 6, 7]

| Operation  | K       | RPS              | WPS              | DQ                  | DQ                    | DQ                    | DQ                    |
|--|---------|------------------|------------------|---------------------|-----------------------|-----------------------|-----------------------|
| Write cycle:<br>Load address on the rising edge of K; input write data on two consecutive K and K rising edges.                    | L–H     | H <sup>[8]</sup> | L <sup>[9]</sup> | D(A) at K(t + 1)↑   | D(A + 1) at K(t + 1)↑ | D(A + 2) at K(t + 2)↑ | D(A + 3) at K(t + 2)↑ |
| Read cycle:<br>Load address on the rising edge of K; wait one and a half cycle; read data on two consecutive C and C rising edges. | L–H     | L <sup>[9]</sup> | X                | Q(A) at C(t + 1)↑   | Q(A + 1) at C(t + 2)↑ | Q(A + 2) at C(t + 2)↑ | Q(A + 3) at C(t + 3)↑ |
| NOP: No operation  | L–H     | H                | H                | D = X<br>Q = High Z | D = X<br>Q = High Z   | D = X<br>Q = High Z   | D = X<br>Q = High Z   |
| Standby: Clock stopped   | Stopped | X                | X                | Previous state      | Previous state        | Previous state        | Previous state        |

## Write Cycle Descriptions

The write cycle description table for CY7C1311KV18 and CY7C1313KV18 are as follows. [2, 10]

| $\overline{BWS}_0 / \overline{NWS}_0$ | $\overline{BWS}_1 / \overline{NWS}_1$ | K   | $\overline{K}$ | Comments  |
|---------------------------------------|---------------------------------------|-----|----------------|---|
| L                                     | L                                     | L–H | –              | During the data portion of a write sequence:<br>CY7C1311KV18 – both nibbles (D <sub>[7:0]</sub> ) are written into the device.<br>CY7C1313KV18 – both bytes (D <sub>[17:0]</sub> ) are written into the device.   |
| L                                     | L                                     | –   | L–H            | During the data portion of a write sequence:<br>CY7C1311KV18 – both nibbles (D <sub>[7:0]</sub> ) are written into the device.<br>CY7C1313KV18 – both bytes (D <sub>[17:0]</sub> ) are written into the device.   |
| L                                     | H                                     | L–H | –              | During the data portion of a write sequence:<br>CY7C1311KV18 – only the lower nibble (D <sub>[3:0]</sub> ) is written into the device, D <sub>[7:4]</sub> remains unaltered.<br>CY7C1313KV18 – only the lower byte (D <sub>[8:0]</sub> ) is written into the device, D <sub>[17:9]</sub> remains unaltered. |
| L                                     | H                                     | –   | L–H            | During the data portion of a write sequence:<br>CY7C1311KV18 – only the lower nibble (D <sub>[3:0]</sub> ) is written into the device, D <sub>[7:4]</sub> remains unaltered.<br>CY7C1313KV18 – only the lower byte (D <sub>[8:0]</sub> ) is written into the device, D <sub>[17:9]</sub> remains unaltered. |
| H                                     | L                                     | L–H | –              | During the data portion of a write sequence:<br>CY7C1311KV18 – only the upper nibble (D <sub>[7:4]</sub> ) is written into the device, D <sub>[3:0]</sub> remains unaltered.<br>CY7C1313KV18 – only the upper byte (D <sub>[17:9]</sub> ) is written into the device, D <sub>[8:0]</sub> remains unaltered. |
| H                                     | L                                     | –   | L–H            | During the data portion of a write sequence:<br>CY7C1311KV18 – only the upper nibble (D <sub>[7:4]</sub> ) is written into the device, D <sub>[3:0]</sub> remains unaltered.<br>CY7C1313KV18 – only the upper byte (D <sub>[17:9]</sub> ) is written into the device, D <sub>[8:0]</sub> remains unaltered. |
| H                                     | H                                     | L–H | –              | No data is written into the devices during this portion of a write operation.   |
| H                                     | H                                     | –   | L–H            | No data is written into the devices during this portion of a write operation.   |

### Notes

- X = 'Don't Care', H = Logic HIGH, L = Logic LOW, ↑ represents rising edge.
- Device powers up deselected with the outputs in a tristate condition.
- 'A' represents address location latched by the devices when transaction was initiated. A + 1, A + 2, and A + 3 represents the address sequence in the burst.
- 't' represents the cycle at which a read/write operation is started. t + 1, t + 2, and t + 3 are the first, second and third clock cycles respectively succeeding the 't' clock cycle.
- Data inputs are registered at K and K rising edges. Data outputs are delivered on C and C rising edges, except when in single clock mode.
- Ensure that when the clock is stopped K = K and C = C = HIGH. This is not essential, but permits most rapid restart by overcoming transmission line charging symmetrically.
- If this signal was LOW to initiate the previous cycle, this signal becomes a 'Don't Care' for this operation.
- This signal was HIGH on previous K clock rise. Initiating consecutive read or write operations on consecutive K clock rises is not permitted. The device ignores the second read or write request.
- Is based on a write cycle that was initiated in accordance with the [Write Cycle Descriptions](#) table.  $\overline{NWS}_0$ ,  $\overline{NWS}_1$ ,  $\overline{BWS}_0$ ,  $\overline{BWS}_1$ ,  $\overline{BWS}_2$ , and  $\overline{BWS}_3$  can be altered on different portions of a write cycle, as long as the setup and hold requirements are achieved.

## Write Cycle Descriptions

The write cycle description table for CY7C1911KV18 is as follows. [11, 12]

| $\overline{BWS}_0$ | K   | $\overline{K}$ | Comments   |
|--------------------|-----|----------------|--|
| L                  | L-H | -              | During the data portion of a write sequence, the single byte ( $D_{[8:0]}$ ) is written into the device. |
| L                  | -   | L-H            | During the data portion of a write sequence, the single byte ( $D_{[8:0]}$ ) is written into the device. |
| H                  | L-H | -              | No data is written into the device during this portion of a write operation.                             |
| H                  | -   | L-H            | No data is written into the device during this portion of a write operation.                             |

## Write Cycle Descriptions

The write cycle description table for CY7C1315KV18 follows. [11, 13]

| $\overline{BWS}_0$ | $\overline{BWS}_1$ | $\overline{BWS}_2$ | $\overline{BWS}_3$ | K   | $\overline{K}$ | Comments   |
|--------------------|--------------------|--------------------|--------------------|-----|----------------|--|
| L                  | L                  | L                  | L                  | L-H | -              | During the data portion of a write sequence, all four bytes ( $D_{[35:0]}$ ) are written into the device.  |
| L                  | L                  | L                  | L                  | -   | L-H            | During the data portion of a write sequence, all four bytes ( $D_{[35:0]}$ ) are written into the device.  |
| L                  | H                  | H                  | H                  | L-H | -              | During the data portion of a write sequence, only the lower byte ( $D_{[8:0]}$ ) is written into the device. $D_{[35:9]}$ remains unaltered.               |
| L                  | H                  | H                  | H                  | -   | L-H            | During the data portion of a write sequence, only the lower byte ( $D_{[8:0]}$ ) is written into the device. $D_{[35:9]}$ remains unaltered.               |
| H                  | L                  | H                  | H                  | L-H | -              | During the data portion of a write sequence, only the byte ( $D_{[17:9]}$ ) is written into the device. $D_{[8:0]}$ and $D_{[35:18]}$ remains unaltered.   |
| H                  | L                  | H                  | H                  | -   | L-H            | During the data portion of a write sequence, only the byte ( $D_{[17:9]}$ ) is written into the device. $D_{[8:0]}$ and $D_{[35:18]}$ remains unaltered.   |
| H                  | H                  | L                  | H                  | L-H | -              | During the data portion of a write sequence, only the byte ( $D_{[26:18]}$ ) is written into the device. $D_{[17:0]}$ and $D_{[35:27]}$ remains unaltered. |
| H                  | H                  | L                  | H                  | -   | L-H            | During the data portion of a write sequence, only the byte ( $D_{[26:18]}$ ) is written into the device. $D_{[17:0]}$ and $D_{[35:27]}$ remains unaltered. |
| H                  | H                  | H                  | L                  | L-H | -              | During the data portion of a write sequence, only the byte ( $D_{[35:27]}$ ) is written into the device. $D_{[26:0]}$ remains unaltered.                   |
| H                  | H                  | H                  | L                  | -   | L-H            | During the data portion of a write sequence, only the byte ( $D_{[35:27]}$ ) is written into the device. $D_{[26:0]}$ remains unaltered.                   |
| H                  | H                  | H                  | H                  | L-H | -              | No data is written into the device during this portion of a write operation.   |
| H                  | H                  | H                  | H                  | -   | L-H            | No data is written into the device during this portion of a write operation.   |

### Notes

11. X = 'Don't Care', H = Logic HIGH, L = Logic LOW,  $\uparrow$  represents rising edge.

12. Is based on a write cycle that was initiated in accordance with the [Write Cycle Descriptions](#) table.  $\overline{NWS}_0$ ,  $\overline{NWS}_1$ ,  $\overline{BWS}_0$ ,  $\overline{BWS}_1$ ,  $\overline{BWS}_2$ , and  $\overline{BWS}_3$  can be altered on different portions of a write cycle, as long as the setup and hold requirements are achieved.

13. Is based on a write cycle that was initiated in accordance with the [Write Cycle Descriptions](#) table.  $\overline{NWS}_0$ ,  $\overline{NWS}_1$ ,  $\overline{BWS}_0$ ,  $\overline{BWS}_1$ ,  $\overline{BWS}_2$ , and  $\overline{BWS}_3$  can be altered on different portions of a write cycle, as long as the setup and hold requirements are achieved.

## IEEE 1149.1 Serial Boundary Scan (JTAG)

These SRAMs incorporate a serial boundary scan test access port (TAP) in the FBGA package. This part is fully compliant with IEEE Standard #1149.1-2001. The TAP operates using JEDEC standard 1.8 V I/O logic levels.

### Disabling the JTAG Feature

It is possible to operate the SRAM without using the JTAG feature. To disable the TAP controller, TCK must be tied LOW ( $V_{SS}$ ) to prevent clocking of the device. TDI and TMS are internally pulled up and may be unconnected. They may alternatively be connected to  $V_{DD}$  through a pull up resistor. TDO must be left unconnected. Upon power up, the device comes up in a reset state, which does not interfere with the operation of the device.

### Test Access Port

#### Test Clock

The test clock is used only with the TAP controller. All inputs are captured on the rising edge of TCK. All outputs are driven from the falling edge of TCK.

#### Test Mode Select (TMS)

The TMS input is used to give commands to the TAP controller and is sampled on the rising edge of TCK. This pin may be left unconnected if the TAP is not used. The pin is pulled up internally, resulting in a logic HIGH level.

#### Test Data-In (TDI)

The TDI pin is used to serially input information into the registers and can be connected to the input of any of the registers. The register between TDI and TDO is chosen by the instruction that is loaded into the TAP instruction register. For information about loading the instruction register, see the [TAP Controller State Diagram on page 15](#). TDI is internally pulled up and can be unconnected if the TAP is unused in an application. TDI is connected to the most significant bit (MSB) on any register.

#### Test Data-Out (TDO)

The TDO output pin is used to serially clock data out from the registers. The output is active, depending upon the current state of the TAP state machine (see [Instruction Codes on page 19](#)). The output changes on the falling edge of TCK. TDO is connected to the least significant bit (LSB) of any register.

### Performing a TAP Reset

A reset is performed by forcing TMS HIGH ( $V_{DD}$ ) for five rising edges of TCK. This reset does not affect the operation of the SRAM and can be performed when the SRAM is operating. At power up, the TAP is reset internally to ensure that TDO comes up in a high Z state.

### TAP Registers

Registers are connected between the TDI and TDO pins to scan the data in and out of the SRAM test circuitry. Only one register can be selected at a time through the instruction registers. Data is serially loaded into the TDI pin on the rising edge of TCK. Data is output on the TDO pin on the falling edge of TCK.

#### Instruction Register

Three-bit instructions are serially loaded into the instruction register. This register is loaded when it is placed between the TDI and TDO pins, as shown in [TAP Controller Block Diagram on page 16](#). Upon power up, the instruction register is loaded with the IDCODE instruction. It is also loaded with the IDCODE instruction if the controller is placed in a reset state, as described in the previous section.

When the TAP controller is in the Capture-IR state, the two least significant bits are loaded with a binary '01' pattern to allow for fault isolation of the board level serial test path.

#### Bypass Register

To save time when serially shifting data through registers, it is sometimes advantageous to skip certain chips. The bypass register is a single-bit register that is placed between TDI and TDO pins. This enables shifting of data through the SRAM with minimal delay. The bypass register is set LOW ( $V_{SS}$ ) when the BYPASS instruction is executed.

#### Boundary Scan Register

The boundary scan register is connected to all of the input and output pins on the SRAM. Several no connect (NC) pins are also included in the scan register to reserve pins for higher density devices.

The boundary scan register is loaded with the contents of the RAM input and output ring when the TAP controller is in the Capture-DR state and is then placed between the TDI and TDO pins when the controller is moved to the Shift-DR state. The EXTEST, SAMPLE/PRELOAD, and SAMPLE Z instructions are used to capture the contents of the input and output ring.

The [Boundary Scan Order on page 20](#) shows the order in which the bits are connected. Each bit corresponds to one of the bumps on the SRAM package. The MSB of the register is connected to TDI, and the LSB is connected to TDO.

#### Identification (ID) Register

The ID register is loaded with a vendor-specific, 32-bit code during the Capture-DR state when the IDCODE command is loaded in the instruction register. The IDCODE is hardwired into the SRAM and can be shifted out when the TAP controller is in the Shift-DR state. The ID register has a vendor code and other information described in [Identification Register Definitions on page 19](#).

### TAP Instruction Set

Eight different instructions are possible with the three-bit instruction register. All combinations are listed in [Instruction Codes on page 19](#). Three of these instructions are listed as RESERVED and must not be used. The other five instructions are described in this section in detail.

Instructions are loaded into the TAP controller during the Shift-IR state when the instruction register is placed between TDI and TDO. During this state, instructions are shifted through the instruction register through the TDI and TDO pins. To execute the instruction after it is shifted in, the TAP controller must be moved into the Update-IR state.

### **IDCODE**

The IDCODE instruction loads a vendor-specific, 32-bit code into the instruction register. It also places the instruction register between the TDI and TDO pins and shifts the IDCODE out of the device when the TAP controller enters the Shift-DR state. The IDCODE instruction is loaded into the instruction register at power up or whenever the TAP controller is supplied a Test-Logic-Reset state.

### **SAMPLE Z**

The SAMPLE Z instruction connects the boundary scan register between the TDI and TDO pins when the TAP controller is in a Shift-DR state. The SAMPLE Z command puts the output bus into a High Z state until the next command is supplied during the Update IR state.

### **SAMPLE/PRELOAD**

SAMPLE/PRELOAD is a 1149.1 mandatory instruction. When the SAMPLE/PRELOAD instructions are loaded into the instruction register and the TAP controller is in the Capture-DR state, a snapshot of data on the input and output pins is captured in the boundary scan register.

The TAP controller clock can only operate at a frequency up to 20 MHz, while the SRAM clock operates more than an order of magnitude faster. Because there is a large difference in the clock frequencies, it is possible that during the Capture-DR state, an input or output undergoes a transition. The TAP may then try to capture a signal while in transition (metastable state). This does not harm the device, but there is no guarantee as to the value that is captured. Repeatable results may not be possible.

To guarantee that the boundary scan register captures the correct value of a signal, the SRAM signal must be stabilized long enough to meet the TAP controller's capture setup plus hold times ( $t_{CS}$  and  $t_{CH}$ ). The SRAM clock input might not be captured correctly if there is no way in a design to stop (or slow) the clock during a SAMPLE/PRELOAD instruction. If this is an issue, it is still possible to capture all other signals and simply ignore the value of the CK and CK captured in the boundary scan register.

After the data is captured, it is possible to shift out the data by putting the TAP into the Shift-DR state. This places the boundary scan register between the TDI and TDO pins.

PRELOAD places an initial data pattern at the latched parallel outputs of the boundary scan register cells before the selection of another boundary scan test operation.

The shifting of data for the SAMPLE and PRELOAD phases can occur concurrently when required, that is, while the data captured is shifted out, the preloaded data can be shifted in.

### **BYPASS**

When the BYPASS instruction is loaded in the instruction register and the TAP is placed in a Shift-DR state, the bypass register is placed between the TDI and TDO pins. The advantage of the BYPASS instruction is that it shortens the boundary scan path when multiple devices are connected together on a board.

### **EXTEST**

The EXTEST instruction drives the preloaded data out through the system output pins. This instruction also connects the boundary scan register for serial access between the TDI and TDO in the Shift-DR controller state.

### **EXTEST OUTPUT BUS TRISTATE**

IEEE Standard 1149.1 mandates that the TAP controller be able to put the output bus into a tristate mode.

The boundary scan register has a special bit located at bit #47. When this scan cell, called the 'extest output bus tristate', is latched into the preload register during the Update-DR state in the TAP controller, it directly controls the state of the output (Q-bus) pins, when the EXTEST is entered as the current instruction. When HIGH, it enables the output buffers to drive the output bus. When LOW, this bit places the output bus into a High Z condition.

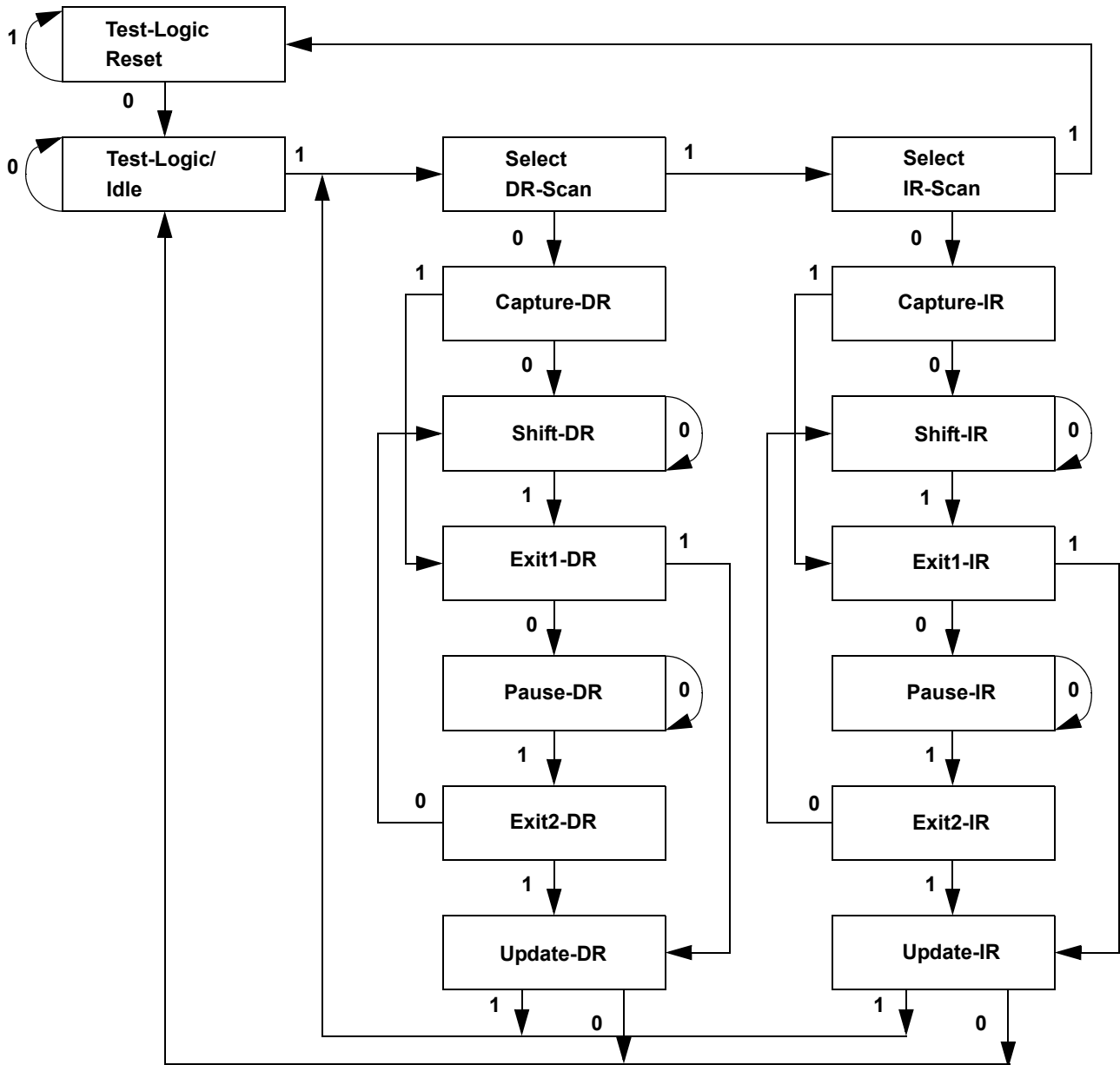
This bit is set by entering the SAMPLE/PRELOAD or EXTEST command, and then shifting the desired bit into that cell, during the Shift-DR state. During Update-DR, the value loaded into that shift-register cell latches into the preload register. When the EXTEST instruction is entered, this bit directly controls the output Q-bus pins. Note that this bit is preset HIGH to enable the output when the device is powered up, and also when the TAP controller is in the Test-Logic-Reset state.

### **Reserved**

These instructions are not implemented but are reserved for future use. Do not use these instructions.

### TAP Controller State Diagram

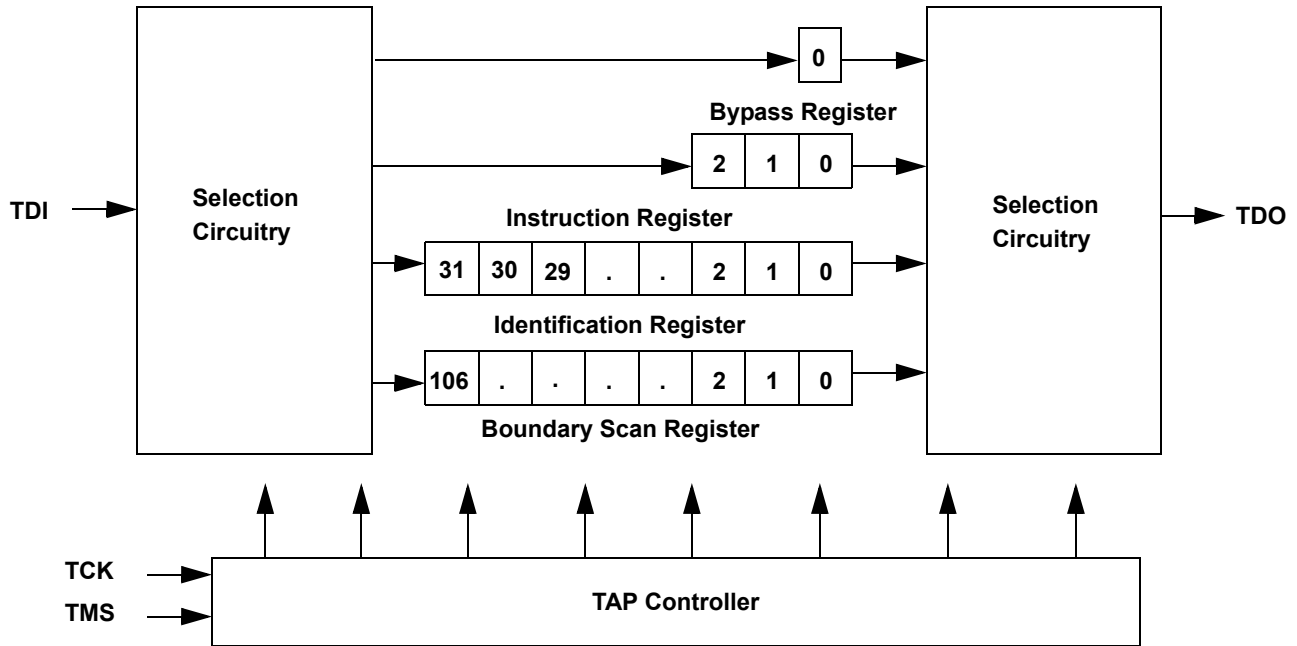
The state diagram for the TAP controller follows. [14]



**Note**

14. The 0/1 next to each state represents the value at TMS at the rising edge of TCK.

## TAP Controller Block Diagram



## TAP Electrical Characteristics

Over the Operating Range

| Parameter <sup>[15, 16, 17]</sup> | Description                   | Test Conditions                        | Min                    | Max                    | Unit |
|-----------------------------------|-------------------------------|--|------------------------|------------------------|------|
| V <sub>OH1</sub>                  | Output HIGH voltage           | I <sub>OH</sub> = -2.0 mA              | 1.4                    | -                      | V    |
| V <sub>OH2</sub>                  | Output HIGH voltage           | I <sub>OH</sub> = -100 μA              | 1.6                    | -                      | V    |
| V <sub>OL1</sub>                  | Output LOW voltage            | I <sub>OL</sub> = 2.0 mA               | -                      | 0.4                    | V    |
| V <sub>OL2</sub>                  | Output LOW voltage            | I <sub>OL</sub> = 100 μA               | -                      | 0.2                    | V    |
| V <sub>IH</sub>                   | Input HIGH voltage            | -                                      | 0.65 × V <sub>DD</sub> | V <sub>DD</sub> + 0.3  | V    |
| V <sub>IL</sub>                   | Input LOW voltage             | -                                      | -0.3                   | 0.35 × V <sub>DD</sub> | V    |
| I <sub>X</sub>                    | Input and output load current | GND ≤ V <sub>I</sub> ≤ V <sub>DD</sub> | -5                     | 5                      | μA   |

### Notes

15. These characteristics pertain to the TAP inputs (TMS, TCK, TDI and TDO). Parallel load levels are specified in the [Electrical Characteristics on page 22](#).

16. Overshoot: V<sub>IH(AC)</sub> < V<sub>DDQ</sub> + 0.85 V (Pulse width less than t<sub>CYC/2</sub>), Undershoot: V<sub>IL(AC)</sub> > -1.5 V (Pulse width less than t<sub>CYC/2</sub>).

17. All voltage referenced to Ground.



## TAP AC Switching Characteristics

Over the Operating Range

| Parameter <sup>[18, 19]</sup> | Description                   | Min | Max | Unit |
|-------------------------------|-------------------------------|-----|-----|------|
| $t_{TCYC}$                    | TCK Clock Cycle Time          | 50  | –   | ns   |
| $t_{TF}$                      | TCK Clock Frequency           | –   | 20  | MHz  |
| $t_{TH}$                      | TCK Clock HIGH                | 20  | –   | ns   |
| $t_{TL}$                      | TCK Clock LOW                 | 20  | –   | ns   |
| <b>Setup Times</b>            |                               |     |     |      |
| $t_{TMSS}$                    | TMS Setup to TCK Clock Rise   | 5   | –   | ns   |
| $t_{TDIS}$                    | TDI Setup to TCK Clock Rise   | 5   | –   | ns   |
| $t_{CS}$                      | Capture Setup to TCK Rise     | 5   | –   | ns   |
| <b>Hold Times</b>             |                               |     |     |      |
| $t_{TMSH}$                    | TMS Hold after TCK Clock Rise | 5   | –   | ns   |
| $t_{TDIH}$                    | TDI Hold after Clock Rise     | 5   | –   | ns   |
| $t_{CH}$                      | Capture Hold after Clock Rise | 5   | –   | ns   |
| <b>Output Times</b>           |                               |     |     |      |
| $t_{TDOV}$                    | TCK Clock LOW to TDO Valid    | –   | 10  | ns   |
| $t_{TDOX}$                    | TCK Clock LOW to TDO Invalid  | 0   | –   | ns   |

### Notes

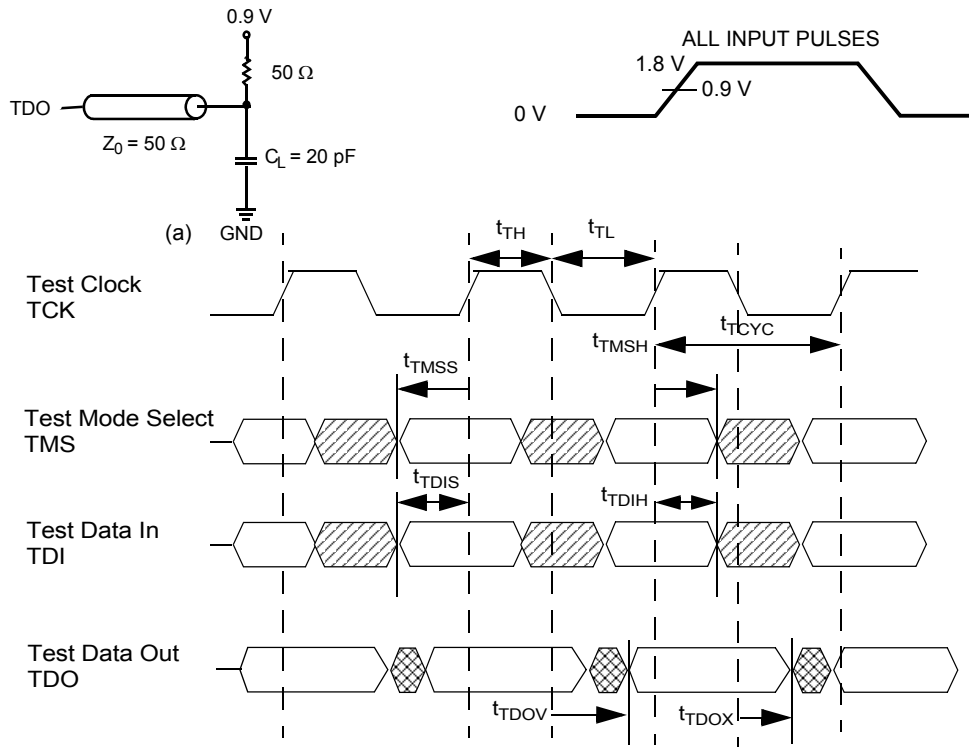
18.  $t_{CS}$  and  $t_{CH}$  refer to the setup and hold time requirements of latching data from the boundary scan register.

19. Test conditions are specified using the load in TAP AC Test Conditions.  $t_R/t_F = 1$  ns.

### TAP Timing and Test Conditions

Figure 3 shows the TAP timing and test conditions. [20]

**Figure 3. TAP Timing and Test Conditions**



**Note**

20. Test conditions are specified using the load in TAP AC Test Conditions.  $t_R/t_F = 1 \text{ ns}$ .

### Identification Register Definitions

| Instruction Field         | Value             |                   |                   |                   | Description                                  |
|---------------------------|-------------------|-------------------|-------------------|-------------------|--|
|                           | CY7C1311KV18      | CY7C1911KV18      | CY7C1313KV18      | CY7C1315KV18      |  |
| Revision number (31:29)   | 000               | 000               | 000               | 000               | Version number.                              |
| Cypress device ID (28:12) | 11010011011000101 | 11010011011001101 | 11010011011010101 | 11010011011100101 | Defines the type of SRAM.                    |
| Cypress JEDEC ID (11:1)   | 00000110100       | 00000110100       | 00000110100       | 00000110100       | Allows unique identification of SRAM vendor. |
| ID register presence (0)  | 1                 | 1                 | 1                 | 1                 | Indicates the presence of an ID register.    |

### Scan Register Sizes

| Register Name | Bit Size |
|---------------|----------|
| Instruction   | 3        |
| Bypass        | 1        |
| ID            | 32       |
| Boundary Scan | 107      |

### Instruction Codes

| Instruction    | Code | Description  |
|----------------|------|--|
| EXTEST         | 000  | Captures the input and output ring contents.   |
| IDCODE         | 001  | Loads the ID register with the vendor ID code and places the register between TDI and TDO. This operation does not affect SRAM operation.        |
| SAMPLE Z       | 010  | Captures the input and output contents. Places the boundary scan register between TDI and TDO. Forces all SRAM output drivers to a High Z state. |
| RESERVED       | 011  | Do Not Use: This instruction is reserved for future use.   |
| SAMPLE/PRELOAD | 100  | Captures the input and output ring contents. Places the boundary scan register between TDI and TDO. Does not affect the SRAM operation.          |
| RESERVED       | 101  | Do Not Use: This instruction is reserved for future use.   |
| RESERVED       | 110  | Do Not Use: This instruction is reserved for future use.   |
| BYPASS         | 111  | Places the bypass register between TDI and TDO. This operation does not affect SRAM operation.   |

**Boundary Scan Order**

| Bit # | Bump ID |
|-------|---------|
| 0     | 6R      |
| 1     | 6P      |
| 2     | 6N      |
| 3     | 7P      |
| 4     | 7N      |
| 5     | 7R      |
| 6     | 8R      |
| 7     | 8P      |
| 8     | 9R      |
| 9     | 11P     |
| 10    | 10P     |
| 11    | 10N     |
| 12    | 9P      |
| 13    | 10M     |
| 14    | 11N     |
| 15    | 9M      |
| 16    | 9N      |
| 17    | 11L     |
| 18    | 11M     |
| 19    | 9L      |
| 20    | 10L     |
| 21    | 11K     |
| 22    | 10K     |
| 23    | 9J      |
| 24    | 9K      |
| 25    | 10J     |
| 26    | 11J     |
| 27    | 11H     |

| Bit # | Bump ID  |
|-------|----------|
| 28    | 10G      |
| 29    | 9G       |
| 30    | 11F      |
| 31    | 11G      |
| 32    | 9F       |
| 33    | 10F      |
| 34    | 11E      |
| 35    | 10E      |
| 36    | 10D      |
| 37    | 9E       |
| 38    | 10C      |
| 39    | 11D      |
| 40    | 9C       |
| 41    | 9D       |
| 42    | 11B      |
| 43    | 11C      |
| 44    | 9B       |
| 45    | 10B      |
| 46    | 11A      |
| 47    | Internal |
| 48    | 9A       |
| 49    | 8B       |
| 50    | 7C       |
| 51    | 6C       |
| 52    | 8A       |
| 53    | 7A       |
| 54    | 7B       |
| 55    | 6B       |

| Bit # | Bump ID |
|-------|---------|
| 56    | 6A      |
| 57    | 5B      |
| 58    | 5A      |
| 59    | 4A      |
| 60    | 5C      |
| 61    | 4B      |
| 62    | 3A      |
| 63    | 1H      |
| 64    | 1A      |
| 65    | 2B      |
| 66    | 3B      |
| 67    | 1C      |
| 68    | 1B      |
| 69    | 3D      |
| 70    | 3C      |
| 71    | 1D      |
| 72    | 2C      |
| 73    | 3E      |
| 74    | 2D      |
| 75    | 2E      |
| 76    | 1E      |
| 77    | 2F      |
| 78    | 3F      |
| 79    | 1G      |
| 80    | 1F      |
| 81    | 3G      |
| 82    | 2G      |
| 83    | 1J      |

| Bit # | Bump ID |
|-------|---------|
| 84    | 2J      |
| 85    | 3K      |
| 86    | 3J      |
| 87    | 2K      |
| 88    | 1K      |
| 89    | 2L      |
| 90    | 3L      |
| 91    | 1M      |
| 92    | 1L      |
| 93    | 3N      |
| 94    | 3M      |
| 95    | 1N      |
| 96    | 2M      |
| 97    | 3P      |
| 98    | 2N      |
| 99    | 2P      |
| 100   | 1P      |
| 101   | 3R      |
| 102   | 4R      |
| 103   | 4P      |
| 104   | 5P      |
| 105   | 5N      |
| 106   | 5R      |

### Power Up Sequence in QDR II SRAM

QDR II SRAMs must be powered up and initialized in a predefined manner to prevent undefined operations.

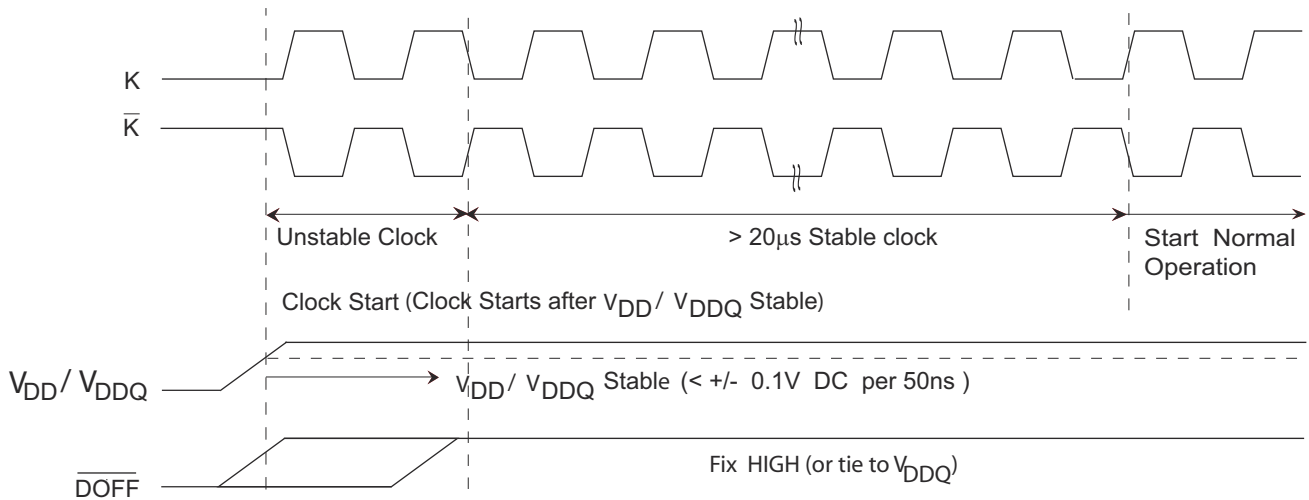
#### Power Up Sequence

- Apply power and drive  $\overline{\text{DOFF}}$  either HIGH or LOW (All other inputs can be HIGH or LOW).
  - Apply  $V_{\text{DD}}$  before  $V_{\text{DDQ}}$ .
  - Apply  $V_{\text{DDQ}}$  before  $V_{\text{REF}}$  or at the same time as  $V_{\text{REF}}$ .
  - Drive  $\overline{\text{DOFF}}$  HIGH.
- Provide stable  $\overline{\text{DOFF}}$  (HIGH), power and clock ( $K, \overline{K}$ ) for 20  $\mu\text{s}$  to lock the PLL.

#### PLL Constraints

- PLL uses K clock as its synchronizing input. The input must have low phase jitter, which is specified as  $t_{\text{KC Var}}$ .
- The PLL functions at frequencies down to 120 MHz.
- If the input clock is unstable and the PLL is enabled, then the PLL may lock onto an incorrect frequency, causing unstable SRAM behavior. To avoid this, provide 20  $\mu\text{s}$  of stable clock to relock to the desired clock frequency.

**Figure 4. Power Up Waveforms**



## Maximum Ratings

Exceeding maximum ratings may impair the useful life of the device. These user guidelines are not tested.

Storage temperature ..... -65 °C to +150 °C  
 Ambient temperature  
 with power applied ..... -55 °C to +125 °C  
 Supply voltage on V<sub>DD</sub> relative to GND ..... -0.5 V to +2.9 V  
 Supply voltage on V<sub>DDQ</sub> relative to GND ..... -0.5 V to +V<sub>DD</sub>  
 DC applied to outputs in High Z ..... -0.5 V to V<sub>DDQ</sub> + 0.3 V  
 DC input voltage <sup>[21]</sup> ..... -0.5 V to V<sub>DD</sub> + 0.3 V  
 Current into outputs (LOW) ..... 20 mA  
 Static discharge voltage  
 (MIL-STD-883, M. 3015) ..... > 2001 V  
 Latch up current ..... > 200 mA

## Operating Range

| Range      | Ambient Temperature (T <sub>A</sub> ) | V <sub>DD</sub> <sup>[22]</sup> | V <sub>DDQ</sub> <sup>[22]</sup> |
|------------|---------------------------------------|---------------------------------|----------------------------------|
| Commercial | 0 °C to +70 °C                        | 1.8 ± 0.1 V                     | 1.4 V to V <sub>DD</sub>         |
| Industrial | -40 °C to +85 °C                      |                                 |                                  |

## Neutron Soft Error Immunity

| Parameter | Description               | Test Conditions | Typ | Max* | Unit    |
|-----------|---------------------------|-----------------|-----|------|---------|
| LSBU      | Logical single-bit upsets | 25 °C           | 197 | 216  | FIT/Mb  |
| LMBU      | Logical multi-bit upsets  | 25 °C           | 0   | 0.01 | FIT/Mb  |
| SEL       | Single event latch up     | 85 °C           | 0   | 0.1  | FIT/Dev |

\* No LMBU or SEL events occurred during testing; this column represents a statistical  $\chi^2$ , 95% confidence limit calculation. For more details refer to Application Note Accelerated Neutron SER Testing and Calculation of Terrestrial Failure Rates - AN54908

## Electrical Characteristics

Over the Operating Range

### DC Electrical Characteristics

Over the Operating Range

| Parameter <sup>[23]</sup> | Description                             | Test Conditions   | Min                        | Typ  | Max                        | Unit |
|---------------------------|---|---|----------------------------|------|----------------------------|------|
| V <sub>DD</sub>           | Power supply voltage                    | –   | 1.7                        | 1.8  | 1.9                        | V    |
| V <sub>DDQ</sub>          | I/O supply voltage                      | –   | 1.4                        | 1.5  | V <sub>DD</sub>            | V    |
| V <sub>OH</sub>           | Output HIGH voltage                     | Note 24   | V <sub>DDQ</sub> /2 – 0.12 | –    | V <sub>DDQ</sub> /2 + 0.12 | V    |
| V <sub>OL</sub>           | Output LOW voltage                      | Note 25   | V <sub>DDQ</sub> /2 – 0.12 | –    | V <sub>DDQ</sub> /2 + 0.12 | V    |
| V <sub>OH(LOW)</sub>      | Output HIGH voltage                     | I <sub>OH</sub> = –0.1 mA, nominal impedance              | V <sub>DDQ</sub> – 0.2     | –    | V <sub>DDQ</sub>           | V    |
| V <sub>OL(LOW)</sub>      | Output LOW voltage                      | I <sub>OL</sub> = 0.1 mA, nominal impedance               | V <sub>SS</sub>            | –    | 0.2                        | V    |
| V <sub>IH</sub>           | Input HIGH voltage                      | –   | V <sub>REF</sub> + 0.1     | –    | V <sub>DDQ</sub> + 0.3     | V    |
| V <sub>IL</sub>           | Input LOW voltage                       | –   | –0.3                       | –    | V <sub>REF</sub> – 0.1     | V    |
| I <sub>X</sub>            | Input leakage current                   | GND ≤ V <sub>I</sub> ≤ V <sub>DDQ</sub>                   | –5                         | –    | 5                          | μA   |
| I <sub>OZ</sub>           | Output leakage current                  | GND ≤ V <sub>I</sub> ≤ V <sub>DDQ</sub> , output disabled | –5                         | –    | 5                          | μA   |
| V <sub>REF</sub>          | Input reference voltage <sup>[26]</sup> | Typical value = 0.75 V                                    | 0.68                       | 0.75 | 0.95                       | V    |

### Notes

21. Overshoot: V<sub>IH(AC)</sub> < V<sub>DDQ</sub> + 0.85 V (Pulse width less than t<sub>CYC/2</sub>), Undershoot: V<sub>IL(AC)</sub> > –1.5 V (Pulse width less than t<sub>CYC/2</sub>).
22. Power up: Assumes a linear ramp from 0 V to V<sub>DD(min)</sub> within 200 ms. During this time V<sub>IH</sub> < V<sub>DD</sub> and V<sub>DDQ</sub> ≤ V<sub>DD</sub>.
23. All voltage referenced to Ground.
24. Output are impedance controlled. I<sub>OH</sub> = –(V<sub>DDQ</sub>/2)/(RQ/5) for values of 175 ohms ≤ RQ ≤ 350 Ω.
25. Output are impedance controlled. I<sub>OL</sub> = (V<sub>DDQ</sub>/2)/(RQ/5) for values of 175 ohms ≤ RQ ≤ 350 ohms.
26. V<sub>REF(min)</sub> = 0.68 V or 0.46 V<sub>DDQ</sub>, whichever is larger, V<sub>REF(max)</sub> = 0.95 V or 0.54 V<sub>DDQ</sub>, whichever is smaller.

**Electrical Characteristics** (continued)

Over the Operating Range

**DC Electrical Characteristics** (continued)

Over the Operating Range

| Parameter <sup>[23]</sup>       | Description                      | Test Conditions  | Min              | Typ                          | Max   | Unit    |        |    |   |     |    |
|---------------------------------|----------------------------------|--|------------------|------------------------------|---|---------|--------|----|---|-----|----|
| I <sub>DD</sub> <sup>[27]</sup> | V <sub>DD</sub> operating supply | V <sub>DD</sub> = Max, I <sub>OUT</sub> = 0 mA,<br>f = f <sub>MAX</sub> = 1/t <sub>CYC</sub> | 333 MHz          | (× 9)                        | –   | –       | 520    | mA |   |     |    |
|                                 |                                  |  |                  | (× 18)                       | –   | –       | 530    |    |   |     |    |
|                                 |                                  |  |                  | (× 36)                       | –   | –       | 730    |    |   |     |    |
|                                 |                                  |  | 300 MHz          | (× 9)                        | –   | –       | 490    | mA |   |     |    |
|                                 |                                  |  |                  | (× 18)                       | –   | –       | 500    |    |   |     |    |
|                                 |                                  |  |                  | (× 36)                       | –   | –       | 670    |    |   |     |    |
|                                 |                                  |  | 250 MHz          | (× 8)                        | –   | –       | 430    | mA |   |     |    |
|                                 |                                  |  |                  | (× 9)                        | –   | –       | 430    |    |   |     |    |
|                                 |                                  |  |                  | (× 18)                       | –   | –       | 440    |    |   |     |    |
|                                 |                                  |  |                  | (× 36)                       | –   | –       | 590    |    |   |     |    |
|                                 |                                  |  | I <sub>SB1</sub> | Automatic power down current | Max V <sub>DD</sub> ,<br>Both ports deselected,<br>V <sub>IN</sub> ≥ V <sub>IH</sub> or V <sub>IN</sub> ≤ V <sub>IL</sub><br>f = f <sub>MAX</sub> = 1/t <sub>CYC</sub> ,<br>inputs static | 333 MHz | (× 9)  | –  | – | 270 | mA |
|                                 |                                  |  |                  |                              |   |         | (× 18) | –  | – | 270 |    |
| (× 36)                          | –                                | –  |                  |                              |   |         | 270    |    |   |     |    |
| 300 MHz                         | (× 9)                            | –  |                  |                              |   | –       | 260    | mA |   |     |    |
|                                 | (× 18)                           | –  |                  |                              |   | –       | 260    |    |   |     |    |
|                                 | (× 36)                           | –  |                  |                              |   | –       | 260    |    |   |     |    |
| 250 MHz                         | (× 8)                            | –  |                  |                              |   | –       | 250    | mA |   |     |    |
|                                 | (× 9)                            | –  |                  |                              |   | –       | 250    |    |   |     |    |
|                                 | (× 18)                           | –  |                  |                              |   | –       | 250    |    |   |     |    |
|                                 | (× 36)                           | –  |                  |                              |   | –       | 250    |    |   |     |    |

**Note**

27. The operation current is calculated with 50% read cycle and 50% write cycle.

### AC Electrical Characteristics

Over the Operating Range

| Parameter <sup>[28]</sup> | Description        | Test Conditions | Min                    | Typ | Max                    | Unit |
|---------------------------|--------------------|-----------------|------------------------|-----|------------------------|------|
| V <sub>IH</sub>           | Input HIGH voltage | –               | V <sub>REF</sub> + 0.2 | –   | –                      | V    |
| V <sub>IL</sub>           | Input LOW voltage  | –               | –                      | –   | V <sub>REF</sub> – 0.2 | V    |

### Capacitance

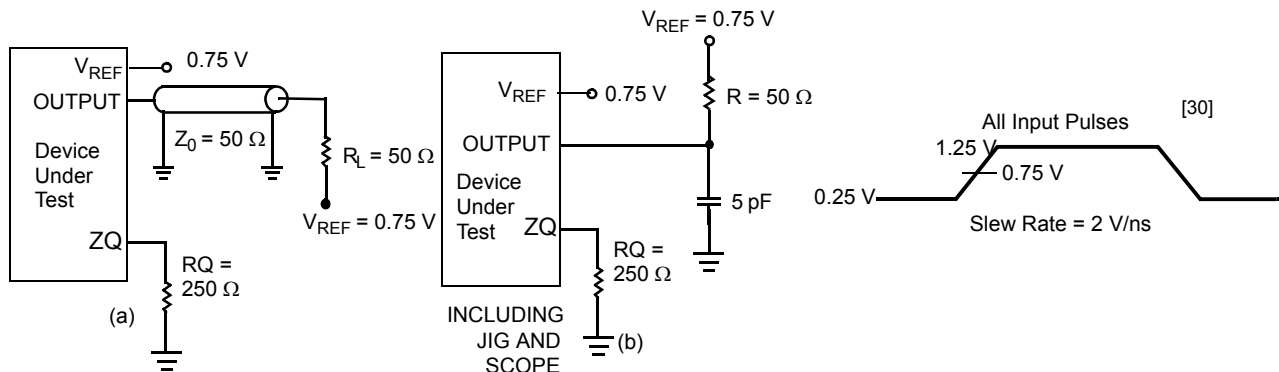
| Parameter <sup>[29]</sup> | Description        | Test Conditions  | Max | Unit |
|---------------------------|--------------------|--|-----|------|
| C <sub>IN</sub>           | Input capacitance  | T <sub>A</sub> = 25 °C, f = 1 MHz, V <sub>DD</sub> = 1.8 V, V <sub>DDQ</sub> = 1.5 V | 4   | pF   |
| C <sub>O</sub>            | Output capacitance |  | 4   | pF   |

### Thermal Resistance

| Parameter <sup>[29]</sup> | Description                              | Test Conditions   | 165-ball FBGA Package | Unit |
|---------------------------|--|---|-----------------------|------|
| Θ <sub>JA</sub>           | Thermal resistance (junction to ambient) | Test conditions follow standard test methods and procedures for measuring thermal impedance, in accordance with EIA/JESD51. | 13.7                  | °C/W |
| Θ <sub>JC</sub>           | Thermal resistance (junction to case)    |   | 3.73                  | °C/W |

### AC Test Loads and Waveforms

Figure 5. AC Test Loads and Waveforms



#### Notes

28. Overshoot: V<sub>IH(AC)</sub> < V<sub>DDQ</sub> + 0.85 V (Pulse width less than t<sub>CYC/2</sub>), Undershoot: V<sub>IL(AC)</sub> > –1.5 V (Pulse width less than t<sub>CYC/2</sub>).

29. Tested initially and after any design or process change that may affect these parameters.

30. Unless otherwise noted, test conditions are based on signal transition time of 2 V/ns, timing reference levels of 0.75 V, V<sub>REF</sub> = 0.75 V, R<sub>Q</sub> = 250 Ω, V<sub>DDQ</sub> = 1.5 V, input pulse levels of 0.25 V to 1.25 V, and output loading of the specified I<sub>OL</sub>/I<sub>OH</sub> and load capacitance shown in (a) of Figure 5.



## Switching Characteristics

Over the Operating Range

| Parameters <sup>[31, 32]</sup>       |                                      | Description   | 333 MHz |      | 300 MHz |      | 250 MHz |     | Unit |
|--------------------------------------|--------------------------------------|---|---------|------|---------|------|---------|-----|------|
| Cypress Parameter                    | Consortium Parameter                 |   | Min     | Max  | Min     | Max  | Min     | Max |      |
| t <sub>POWER</sub>                   |                                      | V <sub>DD</sub> (typical) to the first access <sup>[33]</sup>   | 1       | –    | 1       | –    | 1       | –   | ms   |
| t <sub>CYC</sub>                     | t <sub>KHKH</sub>                    | K clock and C clock cycle time  | 3.0     | 8.4  | 3.3     | 8.4  | 4.0     | 8.4 | ns   |
| t <sub>KH</sub>                      | t <sub>KHKL</sub>                    | Input clock (K/ $\bar{K}$ ; C/ $\bar{C}$ ) HIGH   | 1.20    | –    | 1.32    | –    | 1.6     | –   | ns   |
| t <sub>KL</sub>                      | t <sub>KLKH</sub>                    | Input clock (K/ $\bar{K}$ ; C/ $\bar{C}$ ) LOW  | 1.20    | –    | 1.32    | –    | 1.6     | –   | ns   |
| t <sub>KH<math>\bar{K}</math>H</sub> | t <sub>KH<math>\bar{K}</math>H</sub> | K clock rise to $\bar{K}$ clock rise and C to $\bar{C}$ Rise (rising edge to rising edge)   | 1.35    | –    | 1.49    | –    | 1.8     | –   | ns   |
| t <sub>KHCH</sub>                    | t <sub>KHCH</sub>                    | K/ $\bar{K}$ clock rise to C/ $\bar{C}$ clock rise (rising edge to rising edge)   | 0       | 1.30 | 0       | 1.45 | 0       | 1.8 | ns   |
| <b>Setup Times</b>                   |                                      |   |         |      |         |      |         |     |      |
| t <sub>SA</sub>                      | t <sub>AVKH</sub>                    | Address setup to K clock rise   | 0.4     | –    | 0.4     | –    | 0.5     | –   | ns   |
| t <sub>SC</sub>                      | t <sub>IVKH</sub>                    | Control setup to K clock rise (RPS, WPS)  | 0.4     | –    | 0.4     | –    | 0.5     | –   | ns   |
| t <sub>SCDDR</sub>                   | t <sub>IVKH</sub>                    | Double data rate control setup to clock (K/K) rise (BWS <sub>0</sub> , BWS <sub>1</sub> , BWS <sub>2</sub> , BWS <sub>3</sub> )   | 0.3     | –    | 0.3     | –    | 0.35    | –   | ns   |
| t <sub>SD</sub>                      | t <sub>DVKH</sub>                    | D <sub>[X:0]</sub> setup to clock (K/ $\bar{K}$ ) rise  | 0.3     | –    | 0.3     | –    | 0.35    | –   | ns   |
| <b>Hold Times</b>                    |                                      |   |         |      |         |      |         |     |      |
| t <sub>HA</sub>                      | t <sub>KHAX</sub>                    | Address hold after K clock rise   | 0.4     | –    | 0.4     | –    | 0.5     | –   | ns   |
| t <sub>HC</sub>                      | t <sub>KHIX</sub>                    | Control hold after K clock rise (RPS, WPS)  | 0.4     | –    | 0.4     | –    | 0.5     | –   | ns   |
| t <sub>HCDDR</sub>                   | t <sub>KHIX</sub>                    | Double data rate control hold after clock (K/K) rise (BWS <sub>0</sub> , BWS <sub>1</sub> , BWS <sub>2</sub> , BWS <sub>3</sub> ) | 0.3     | –    | 0.3     | –    | 0.35    | –   | ns   |
| t <sub>HD</sub>                      | t <sub>KHDX</sub>                    | D <sub>[X:0]</sub> hold after clock (K/ $\bar{K}$ ) rise  | 0.3     | –    | 0.3     | –    | 0.35    | –   | ns   |

### Notes

31. Unless otherwise noted, test conditions are based on signal transition time of 2 V/ns, timing reference levels of 0.75 V, V<sub>REF</sub> = 0.75 V, RQ = 250 Ω, V<sub>DDQ</sub> = 1.5 V, input pulse levels of 0.25 V to 1.25 V, and output loading of the specified I<sub>OL</sub>/I<sub>OH</sub> and load capacitance shown in (a) of Figure 5 on page 24.

32. When a part with a maximum frequency above 250 MHz is operating at a lower clock frequency, it requires the input timings of the frequency range in which it is operated and outputs data with the output timings of that frequency range.

33. This part has a voltage regulator internally; t<sub>POWER</sub> is the time that the power must be supplied above V<sub>DD(minimum)</sub> initially before a read or write operation is initiated.

**Switching Characteristics** (continued)

Over the Operating Range

| Parameters <sup>[31, 32]</sup>              |   | Description  | 333 MHz |      | 300 MHz |      | 250 MHz |      | Unit    |
|---|---|--|---------|------|---------|------|---------|------|---------|
| Cypress Parameter                           | Consortium Parameter                        |  | Min     | Max  | Min     | Max  | Min     | Max  |         |
| <b>Output Times</b>                         |   |  |         |      |         |      |         |      |         |
| t <sub>CO</sub>                             | t <sub>CHQV</sub>                           | C/ $\overline{C}$ clock rise (or K/ $\overline{K}$ in single clock mode) to data valid   | –       | 0.45 | –       | 0.45 | –       | 0.45 | ns      |
| t <sub>DOH</sub>                            | t <sub>CHQX</sub>                           | Data output hold after output C/ $\overline{C}$ clock rise (active to active)            | –0.45   | –    | –0.45   | –    | –0.45   | –    | ns      |
| t <sub>CCQO</sub>                           | t <sub>CHCQV</sub>                          | C/ $\overline{C}$ clock rise to echo clock valid   | –       | 0.45 | –       | 0.45 | –       | 0.45 | ns      |
| t <sub>CQOH</sub>                           | t <sub>CHCQX</sub>                          | Echo clock hold after C/ $\overline{C}$ clock rise                                       | –0.45   | –    | –0.45   | –    | –0.45   | –    | ns      |
| t <sub>CQD</sub>                            | t <sub>CQHQV</sub>                          | Echo clock high to data valid  | –       | 0.25 | –       | 0.27 | –       | 0.30 | ns      |
| t <sub>CQDOH</sub>                          | t <sub>CQHQX</sub>                          | Echo clock high to data invalid  | –0.25   | –    | –0.27   | –    | –0.30   | –    | ns      |
| t <sub>CQH</sub>                            | t <sub>CQHCQL</sub>                         | OutPut clock (CQ/ $\overline{CQ}$ ) HIGH <sup>[34]</sup>                                 | 1.25    | –    | 1.4     | –    | 1.75    | –    | ns      |
| t <sub>CQH<math>\overline{CQ}</math>H</sub> | t <sub>CQH<math>\overline{CQ}</math>H</sub> | CQ clock rise to $\overline{CQ}$ clock rise (rising edge to rising edge) <sup>[34]</sup> | 1.25    | –    | 1.4     | –    | 1.75    | –    | ns      |
| t <sub>CHZ</sub>                            | t <sub>CHQZ</sub>                           | Clock (C/ $\overline{C}$ ) rise to high Z (active to high Z) <sup>[35, 36]</sup>         | –       | 0.45 | –       | 0.45 | –       | 0.45 | ns      |
| t <sub>CLZ</sub>                            | t <sub>CHQX1</sub>                          | Clock (C/ $\overline{C}$ ) rise to low Z <sup>[35, 36]</sup>                             | –0.45   | –    | –0.45   | –    | –0.45   | –    | ns      |
| <b>PLL Timing</b>                           |   |  |         |      |         |      |         |      |         |
| t <sub>KC Var</sub>                         | t <sub>KC Var</sub>                         | Clock phase jitter   | –       | 0.20 | –       | 0.20 | –       | 0.20 | ns      |
| t <sub>KC lock</sub>                        | t <sub>KC lock</sub>                        | PLL lock time (K, C) <sup>[37]</sup>   | 20      | –    | 20      | –    | 20      | –    | $\mu$ s |
| t <sub>KC Reset</sub>                       | t <sub>KC Reset</sub>                       | K static to PLL reset  | 30      | –    | 30      | –    | 30      | –    | ns      |

**Notes**

34. These parameters are extrapolated from the input timing parameters (t<sub>CYC</sub>/2 – 250 ps, where 250 ps is the internal jitter). These parameters are only guaranteed by design and are not tested in production.

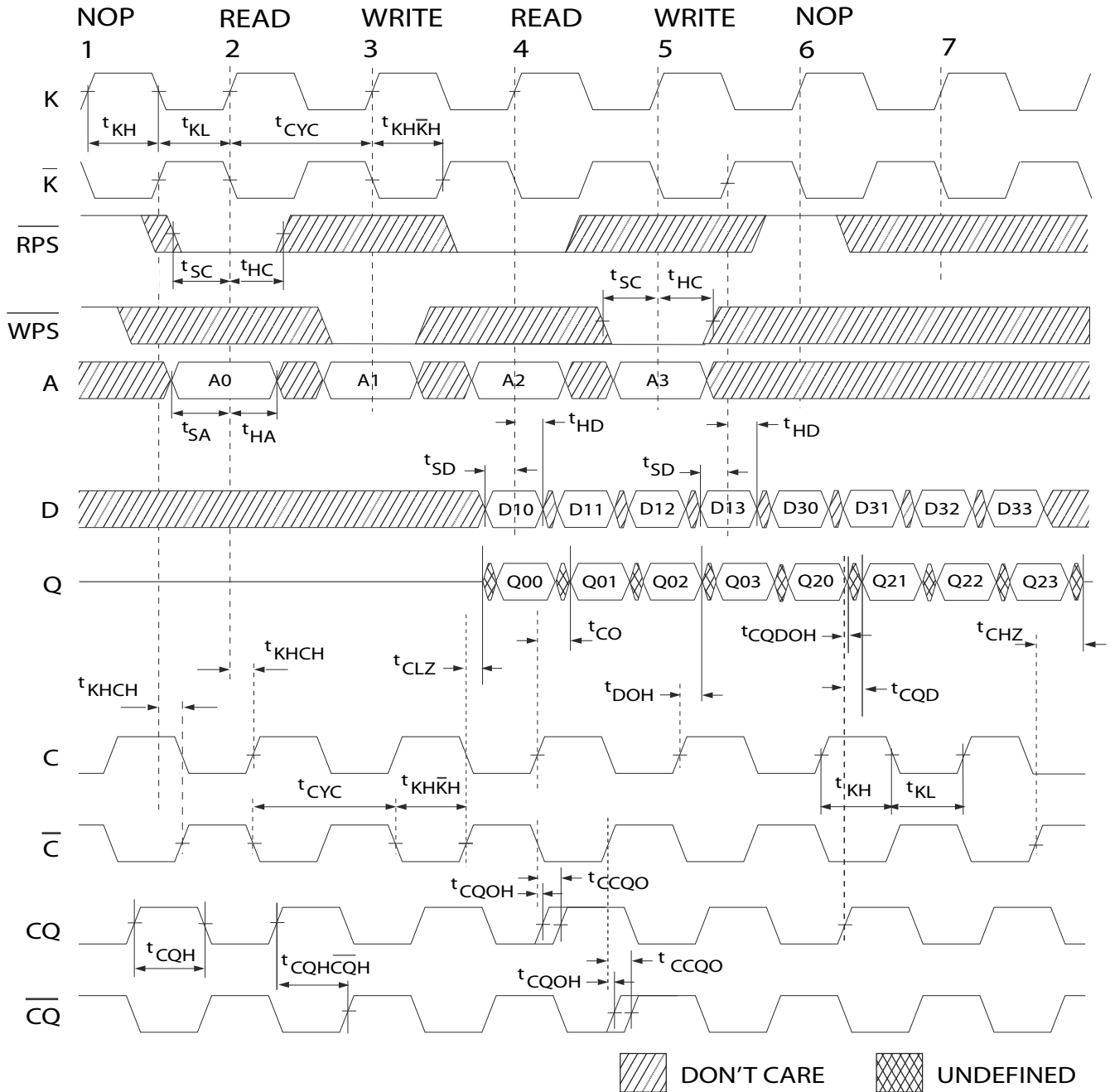
35. t<sub>CHZ</sub>, t<sub>CLZ</sub>, are specified with a load capacitance of 5 pF as in (b) of Figure 5 on page 24. Transition is measured  $\pm$ 100 mV from steady-state voltage.

36. At any voltage and temperature t<sub>CHZ</sub> is less than t<sub>CLZ</sub> and t<sub>CHZ</sub> less than t<sub>CO</sub>.

37. For frequencies 300 MHz or below, the Cypress QDR II devices surpass the QDR consortium specification for PLL lock time (t<sub>KC lock</sub>) of 20  $\mu$ s (min. spec.) and will lock after 1024 clock cycles (min. spec.), after a stable clock is presented, per the previous 90 nm version.

## Switching Waveforms

Figure 6. Read/Write/Deselect Sequence [38, 39, 40]



### Notes

38. Q00 refers to output from address A0. Q01 refers to output from the next internal burst address following A0, that is, A0 + 1.

39. Outputs are disabled (High Z) one clock cycle after a NOP.

40. In this example, if address A2 = A1, then data Q20 = D10, Q21 = D11, Q22 = D12, and Q23 = D13. Write data is forwarded immediately as read results. This note applies to the whole diagram.

## Ordering Information

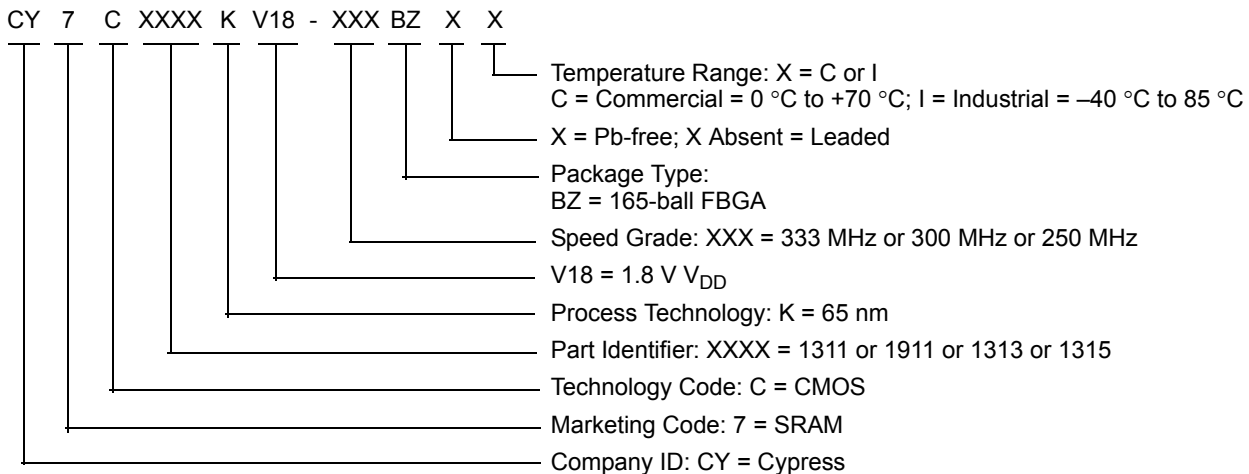
The following table contains only the parts that are currently available. If you do not see what you are looking for, contact your local sales representative. For more information, visit the Cypress website at [www.cypress.com](http://www.cypress.com) and refer to the product summary page at <http://www.cypress.com/products>

Cypress maintains a worldwide network of offices, solution centers, manufacturer’s representatives and distributors. To find the office closest to you, visit us at <http://www.cypress.com/go/datasheet/offices>.

**Table 1. Ordering Information**

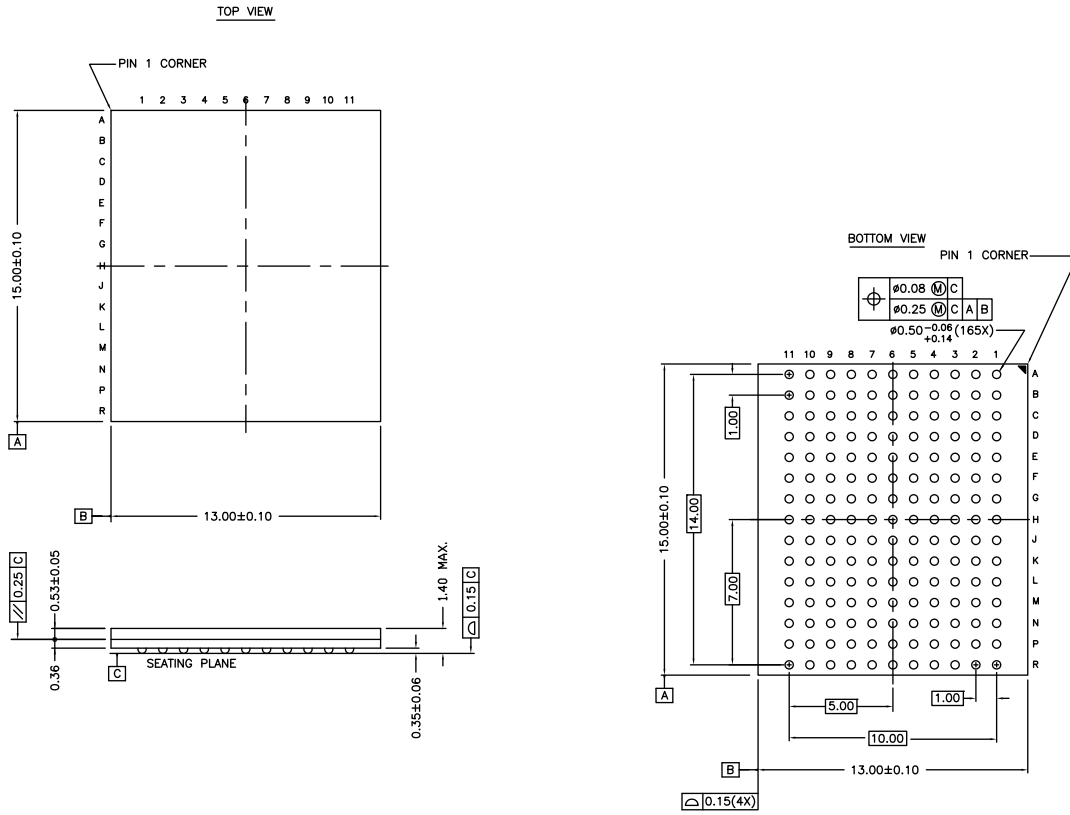
| Speed (MHz) | Ordering Code        | Package Diagram | Package Type                             | Operating Range |
|-------------|----------------------|-----------------|--|-----------------|
| 333         | CY7C1911KV18-333BZC  | 51-85180        | 165-ball FBGA (13 × 15 × 1.4 mm)         | Commercial      |
|             | CY7C1313KV18-333BZC  |                 |  |                 |
|             | CY7C1315KV18-333BZC  |                 |  |                 |
| 300         | CY7C1911KV18-300BZC  | 51-85180        | 165-ball FBGA (13 × 15 × 1.4 mm)         | Commercial      |
|             | CY7C1911KV18-300BZXC |                 | 165-ball FBGA (13 × 15 × 1.4 mm) Pb-free |                 |
|             | CY7C1315KV18-300BZXC |                 |  |                 |
| 250         | CY7C1311KV18-250BZC  | 51-85180        | 165-ball FBGA (13 × 15 × 1.4 mm)         | Commercial      |
|             | CY7C1911KV18-250BZC  |                 |  |                 |
|             | CY7C1313KV18-250BZC  |                 |  |                 |
|             | CY7C1315KV18-250BZC  |                 |  |                 |
|             | CY7C1911KV18-250BZXC |                 | 165-ball FBGA (13 × 15 × 1.4 mm) Pb-free |                 |
|             | CY7C1313KV18-250BZXC |                 |  |                 |
|             | CY7C1315KV18-250BZXC |                 |  |                 |
|             | CY7C1313KV18-250BZI  |                 | 165-ball FBGA (13 × 15 × 1.4 mm)         |                 |
|             | CY7C1315KV18-250BZI  |                 |  |                 |
|             | CY7C1313KV18-250BZXI |                 | 165-ball FBGA (13 × 15 × 1.4 mm) Pb-free |                 |
|             | CY7C1315KV18-250BZXI |                 |  |                 |

## Ordering Code Definitions



### Package Diagram

Figure 7. 165-ball FBGA (13 × 15 × 1.4 mm) BB165D/BW165D (0.5 Ball Diameter) Package Outline, 51-85180



NOTES :  
 SOLDER PAD TYPE : NON-SOLDER MASK DEFINED (NSMD)  
 JEDEC REFERENCE : MO-216 / ISSUE E  
 PACKAGE CODE : BB0AC/BW0AC  
 PACKAGE WEIGHT : SEE CYPRESS PACKAGE MATERIAL DECLARATION  
 DATASHEET (PMDD) POSTED ON THE CYPRESS WEB.

51-85180 \*F

## Acronyms

| Acronym | Description                  |
|---------|------------------------------|
| DDR     | double data rate             |
| FBGA    | fine-pitch ball grid array   |
| HSTL    | high-speed transceiver logic |
| I/O     | input/output                 |
| JTAG    | joint test action group      |
| LSB     | least significant bit        |
| LMBU    | logical multiple bit upset   |
| LSBU    | logical single bit upset     |
| MSB     | most significant bit         |
| PLL     | phase locked loop            |
| QDR     | quad data rate               |
| SEL     | single event latch up        |
| SRAM    | static random access memory  |
| TAP     | test access port             |
| TCK     | test clock                   |
| TMS     | test mode select             |
| TDI     | test data-in                 |
| TDO     | test data-out                |

## Document Conventions

### Units of Measure

| Symbol | Unit of Measure |
|--------|-----------------|
| °C     | degree Celsius  |
| kΩ     | kilohm          |
| MHz    | megahertz       |
| μA     | microampere     |
| μs     | microsecond     |
| mA     | milliampere     |
| mm     | millimeter      |
| ms     | millisecond     |
| ns     | nanosecond      |
| Ω      | ohm             |
| pF     | picofarad       |
| V      | volt            |
| W      | watt            |

**Document History Page**

| Document Title: CY7C1311KV18/CY7C1911KV18/CY7C1313KV18/CY7C1315KV18, 18-Mbit QDR® II SRAM Four-Word Burst Architecture<br>Document Number: 001-58904 |         |                 |                 |  |
|--|---------|-----------------|-----------------|--|
| Rev.   | ECN No. | Orig. of Change | Submission Date | Description of change  |
| **   | 2860800 | VKN             | 01/20/2010      | New data sheet.  |
| *A   | 2897083 | AJU             | 03/22/10        | Updated <a href="#">Ordering Information</a> (Removed inactive parts).   |
| *B   | 3076901 | NJY             | 11/03/2010      | Changed status from Preliminary to Final.<br>Updated <a href="#">Ordering Information</a> (Updated part numbers) and added <a href="#">Ordering Code Definitions</a> .<br>Added <a href="#">Acronyms</a> and <a href="#">Units of Measure</a> .  |
| *C   | 3167511 | NJY             | 02/09/2011      | Updated <a href="#">Switching Characteristics</a> (Added Note 37 and referred the same note in the description of $t_{KC\ lock}$ parameter).<br>Updated <a href="#">Ordering Information</a> (Updated part numbers).   |
| *D   | 3549641 | NJY             | 03/22/2012      | Updated <a href="#">Selection Guide</a> (Removed 167 MHz and 200 MHz frequency related information, also updated the value of Maximum operating current for × 8 as “Not Offered” for 300 MHz and 330 MHz frequencies).<br>Updated <a href="#">Electrical Characteristics</a> (Updated <a href="#">DC Electrical Characteristics</a> (Removed 167 MHz and 200 MHz frequency related information), also removed the values of $I_{DD}$ and $I_{SB1}$ parameters for × 8 for 300 MHz and 330 MHz frequencies).<br>Updated <a href="#">Switching Characteristics</a> (Removed 167 MHz and 200 MHz frequency related information).<br>Updated <a href="#">Ordering Information</a> (Updated part numbers).<br>Updated <a href="#">Package Diagram</a> . |
| *E   | 3819971 | PRIT            | 11/23/2012      | Updated <a href="#">Ordering Information</a> (Updated part numbers).<br>Updated <a href="#">Package Diagram</a> (spec 51-85180 (Changed revision from *E to *F)).  |
| *F   | 3860026 | NJY             | 01/10/2013      | Updated <a href="#">Ordering Information</a> (Updated part numbers).   |



## Sales, Solutions, and Legal Information

### Worldwide Sales and Design Support

Cypress maintains a worldwide network of offices, solution centers, manufacturer’s representatives, and distributors. To find the office closest to you, visit us at [Cypress Locations](#).

### Products

|                          |  |
|--------------------------|--|
| Automotive               | <a href="http://cypress.com/go/automotive">cypress.com/go/automotive</a>   |
| Clocks & Buffers         | <a href="http://cypress.com/go/clocks">cypress.com/go/clocks</a>   |
| Interface                | <a href="http://cypress.com/go/interface">cypress.com/go/interface</a>   |
| Lighting & Power Control | <a href="http://cypress.com/go/powerpsoc">cypress.com/go/powerpsoc</a><br><a href="http://cypress.com/go/plc">cypress.com/go/plc</a> |
| Memory                   | <a href="http://cypress.com/go/memory">cypress.com/go/memory</a>   |
| Optical & Image Sensing  | <a href="http://cypress.com/go/image">cypress.com/go/image</a>   |
| PSoC                     | <a href="http://cypress.com/go/psoc">cypress.com/go/psoc</a>   |
| Touch Sensing            | <a href="http://cypress.com/go/touch">cypress.com/go/touch</a>   |
| USB Controllers          | <a href="http://cypress.com/go/USB">cypress.com/go/USB</a>   |
| Wireless/RF              | <a href="http://cypress.com/go/wireless">cypress.com/go/wireless</a>   |

### PSoC Solutions

[psoc.cypress.com/solutions](http://psoc.cypress.com/solutions)  
PSoC 1 | PSoC 3 | PSoC 5

---

© Cypress Semiconductor Corporation, 2010-2013. The information contained herein is subject to change without notice. Cypress Semiconductor Corporation assumes no responsibility for the use of any circuitry other than circuitry embodied in a Cypress product. Nor does it convey or imply any license under patent or other rights. Cypress products are not warranted nor intended to be used for medical, life support, life saving, critical control or safety applications, unless pursuant to an express written agreement with Cypress. Furthermore, Cypress does not authorize its products for use as critical components in life-support systems where a malfunction or failure may reasonably be expected to result in significant injury to the user. The inclusion of Cypress products in life-support systems application implies that the manufacturer assumes all risk of such use and in doing so indemnifies Cypress against all charges.

Any Source Code (software and/or firmware) is owned by Cypress Semiconductor Corporation (Cypress) and is protected by and subject to worldwide patent protection (United States and foreign), United States copyright laws and international treaty provisions. Cypress hereby grants to licensee a personal, non-exclusive, non-transferable license to copy, use, modify, create derivative works of, and compile the Cypress Source Code and derivative works for the sole purpose of creating custom software and or firmware in support of licensee product to be used only in conjunction with a Cypress integrated circuit as specified in the applicable agreement. Any reproduction, modification, translation, compilation, or representation of this Source Code except as specified above is prohibited without the express written permission of Cypress.

Disclaimer: CYPRESS MAKES NO WARRANTY OF ANY KIND, EXPRESS OR IMPLIED, WITH REGARD TO THIS MATERIAL, INCLUDING, BUT NOT LIMITED TO, THE IMPLIED WARRANTIES OF MERCHANTABILITY AND FITNESS FOR A PARTICULAR PURPOSE. Cypress reserves the right to make changes without further notice to the materials described herein. Cypress does not assume any liability arising out of the application or use of any product or circuit described herein. Cypress does not authorize its products for use as critical components in life-support systems where a malfunction or failure may reasonably be expected to result in significant injury to the user. The inclusion of Cypress’ product in a life-support systems application implies that the manufacturer assumes all risk of such use and in doing so indemnifies Cypress against all charges.

Use may be limited by and subject to the applicable Cypress software license agreement.





Компания «ЭлектроПласт» предлагает заключение долгосрочных отношений при поставках импортных электронных компонентов на взаимовыгодных условиях!

Наши преимущества:

- Оперативные поставки широкого спектра электронных компонентов отечественного и импортного производства напрямую от производителей и с крупнейших мировых складов;
- Поставка более 17-ти миллионов наименований электронных компонентов;
- Поставка сложных, дефицитных, либо снятых с производства позиций;
- Оперативные сроки поставки под заказ (от 5 рабочих дней);
- Экспресс доставка в любую точку России;
- Техническая поддержка проекта, помощь в подборе аналогов, поставка прототипов;
- Система менеджмента качества сертифицирована по Международному стандарту ISO 9001;
- Лицензия ФСБ на осуществление работ с использованием сведений, составляющих государственную тайну;
- Поставка специализированных компонентов (Xilinx, Altera, Analog Devices, Intersil, Interpoint, Microsemi, Aeroflex, Peregrine, Syfer, Eurofarad, Texas Instrument, Miteq, Cobham, E2V, MA-COM, Hittite, Mini-Circuits, General Dynamics и др.);

Помимо этого, одним из направлений компании «ЭлектроПласт» является направление «Источники питания». Мы предлагаем Вам помощь Конструкторского отдела:

- Подбор оптимального решения, техническое обоснование при выборе компонента;
- Подбор аналогов;
- Консультации по применению компонента;
- Поставка образцов и прототипов;
- Техническая поддержка проекта;
- Защита от снятия компонента с производства.



#### Как с нами связаться

**Телефон:** 8 (812) 309 58 32 (многоканальный)

**Факс:** 8 (812) 320-02-42

**Электронная почта:** [org@eplast1.ru](mailto:org@eplast1.ru)

**Адрес:** 198099, г. Санкт-Петербург, ул. Калинина, дом 2, корпус 4, литера А.