

# General Specifications

## Electrical Capacity (Resistive Load)

**Power Level:** 10A @ 125/250V AC for JPM models & 16A @ 125/250V AC for JPL models

## Other Ratings

**Contact Resistance:** 20 milliohms maximum

**Insulation Resistance:** 1,000 megohms minimum @ 500V DC

**Dielectric Strength:** 2,000V AC minimum between contacts for 1 minute minimum;  
4,000V AC minimum between contacts & case for 1 minute minimum

**Mechanical Life:** 25,000 operations minimum

**Electrical Life:** 25,000 operations minimum

**Nominal Operating Force:** JPM Single Pole 3.53N & Double Pole 6.47N

JPL Single Pole 4.51N & Double Pole 9.02 N

**Contact Timing:** Nonshorting (break before make)

**Latchdown:** Normal position - flush with barrier; latchdown position - .079" (2.0mm) below normal

**Travel:** Pretravel .059" (1.5mm); Overtravel .071" (1.8mm); Total Travel .130" (3.3mm)

## Materials & Finishes

**Housing/Frame & Barrier:** Polyamide (UL94V-0)

**Interior Seal:** Polyphenylene sulfide (UL94V-0)

**Case/Base:** Melamine (UL94V-0)

**Movable Contacts:** Silver alloy

**Stationary Contacts:** Silver alloy

**Terminals:** Brass with silver plating

## Environmental Data

**Operating Temp Range:** -10°C through +70°C (+14°F through +158°F)

**Humidity:** 90 ~ 95% humidity for 96 hours @ 40°C (104°F)

**Vibration:** 10 ~ 55Hz with peak-to-peak amplitude of 1.5mm traversing the frequency range & returning in 1 minute; 3 right angled directions for 2 hours

**Shock:** 50G (490m/s<sup>2</sup>) acceleration (tested in 6 right angled directions, with 5 shocks in each direction)

**Process Seal:** Dust resistant inner seal

## Installation

**Soldering Time & Temp:** Manual Soldering: See Profile A in Supplement section.

## Standards & Certifications

**Flammability Standards:** UL94V-0 for housing/frame, barrier, interior seal, & case/base

**TV Ratings for UL:** JPM (TV-5) Overload Test @ 125V AC for 50 operations:

Steady State Current (rms) 7.5A; Minimum Inrush Current (peak) 111A

JPM (TV-5) Endurance Test @ 125V AC for 25,000 operations:

Steady State Current (rms) 5A; Minimum Inrush Current (peak) 78A

JPL (TV-8) Overload Test @ 125V AC for 50 operations:

Steady State Current (rms) 12A; Minimum Inrush Current (peak) 163A

JPL (TV-8) Endurance Test @ 125V AC for 25,000 operations:

Steady State Current (rms) 8A; Minimum Inrush Current (peak) 117A

**UL:** **File No. E44145 - Recognized only when ordered with marking on switch.**

Add "/U" or "/CUL" before dash in part number to order UL recognized switch.

All JPM models certified at 10A @ 125V AC, TV5 & JPL models at 16A @ 125V AC, TV8.

**VDE:** **License No. 113494 - Approved only when ordered with marking on switch.**

Add "/V" before dash in part number to order VDE approved switch.

All JPM models approved at steady state 5A, inrush 80A, resistive 10A, & motor load 6A all at 250V AC.

License No. 097579

All JPL models approved at steady state 8A, inrush 128A, resistive 16A, & motor load 8A all at 250V AC.

# Distinctive Characteristics

Industry's first molded pushbutton with TV rating. Designed to handle large inrush current. JPM models certified for TV-5 rating and JPL models for TV-8 rating.

Prominent external insulating barriers increase insulation resistance and dielectric strength.

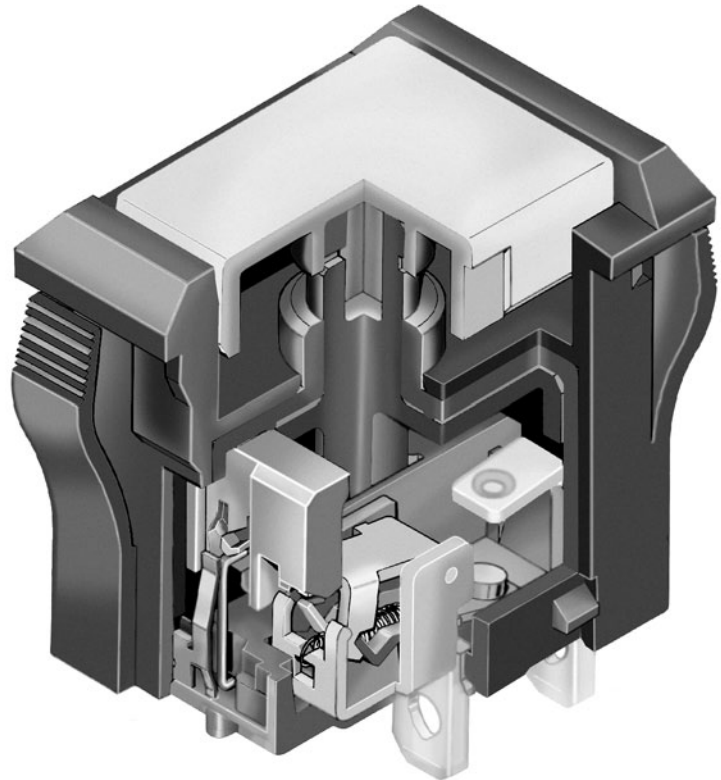
Constructed for dust resistance with interior seal of polyphenylene sulfide (PPS) between actuator and contact area.

Specially designed to break light contact welds.

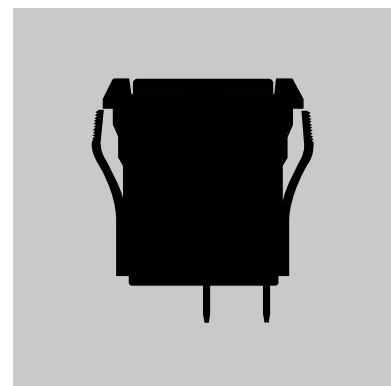
Snap-action contact mechanism.

Terminals are molded in and epoxy sealed to lock out flux, dust, and other contaminants.

Outer case of heat resistant resin meet UL's 94V-0 flammability standard.

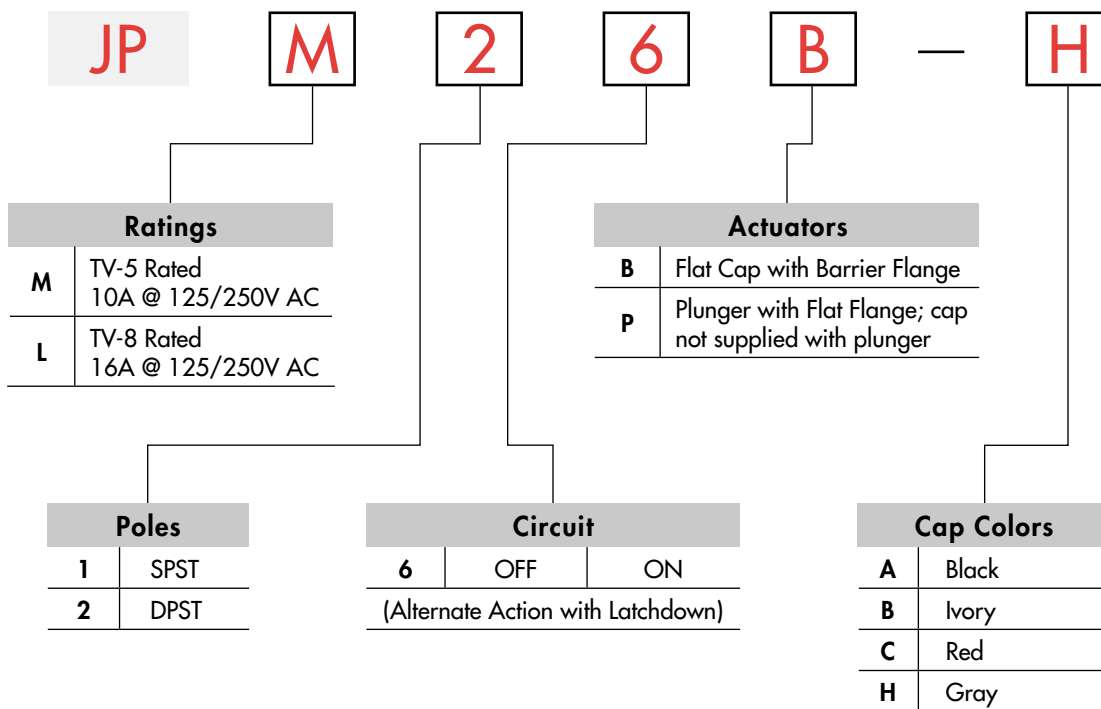


Actual Size JPM



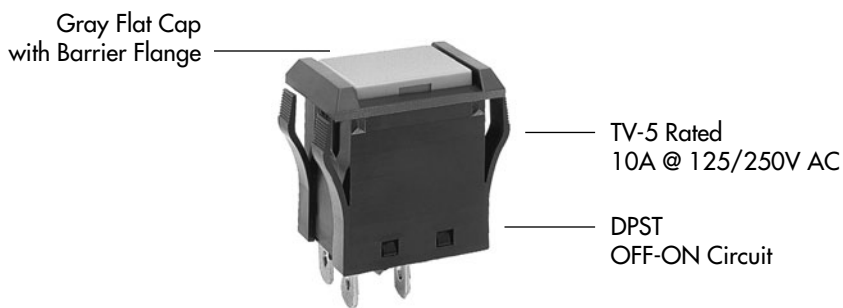
- Toggle
- Rockers
- Pushbuttons**
- Illuminated PB
- Programmable
- Keylocks
- Rotaries
- Slides
- Tactiles
- Tilt
- Touch
- Indicators
- Accessories
- Supplement

### TYPICAL SWITCH ORDERING EXAMPLE



### DESCRIPTION FOR TYPICAL ORDERING EXAMPLE

**JPM26B-H**



#### IMPORTANT:



Specific models & ratings for international approvals noted on General Specifications page.

Note: Wire harness & cable assemblies offered only in Americas

Toggles  
Rocker  
Pushbuttons  
Illuminated PB  
Programmable  
Keylocks  
Rotaries  
Slides  
Tactiles  
Tilt  
Touch  
Indicators  
Accessories  
Supplement

## RATINGS



TV-5 Rated

Power Level

10A @ 125/250V AC



TV-8 Rated

Power Level

16A @ 125/250V AC

Note: See General Specifications page to find complete explanation of TV ratings.

## POLES & CIRCUIT

		Plunger Position		Connected Terminals		Throw & Schematics
Pole	Model	Normal	Down	Normal	Down	
						Note: Terminal numbers are actually on the switch.
SP	JPM16 JPL16	OFF	ON	OPEN	1-1a	SPST
DP	JPM26 JPL26	OFF	ON	OPEN	1-1a 2-2a	DPST

## ACTUATORS



**Flat Cap with Barrier Flange**

The barrier is an integral part of the switch. This housing is black, molded polyamide matte finish material.

Cap details below.



**Plunger with Flat Flange**

The flange is an integral part of the switch. This housing is black, molded polyamide matte finish material.

No cap supplied.

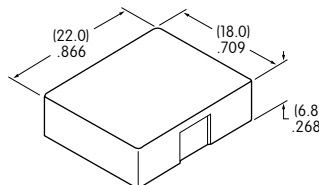


## CAP COLORS

**AT3021 Flat Cap for Actuator Type B with Barrier Flange**

Cap Material: Polyphenylene Oxide

Finish: Matte



The cap is flush with the barrier in normal position and .079" (2.0mm) below that in latched position.

The latched feature on this alternate action device provides visible, audible, and tactile feedback. This design gives smooth, responsive operation.

Cap Colors Available:



Black



Ivory



Red



Gray

Toggle

Rockers

Pushbuttons

Programmable Illuminated PB

Keylocks

Rotaries

Slides

Tactiles

Tilt

Touch

Indicators

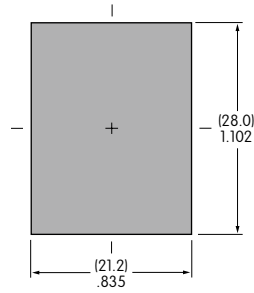
Accessories

Supplement

## PANEL CUTOUT & TERMINALS

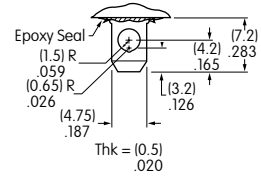
Panel Thickness Range applies to both JPM & JPL models.

.039" ~ .157"  
(1.0mm ~ 4.0mm)



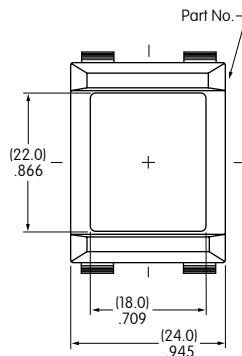
### JPM & JPL Solder Lug/ .187" (4.75mm) Quick Connect Terminals

This switch assembly, when used with connectors, is not CSA approved.



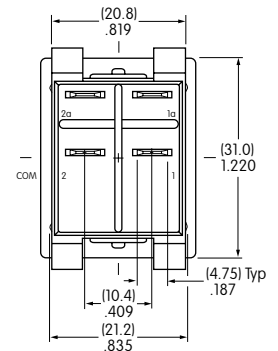
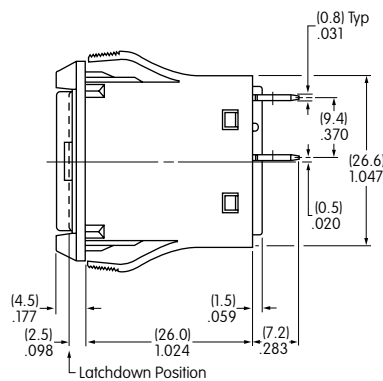
## TYPICAL SWITCH DIMENSIONS

### Flat Cap with Barrier Flange



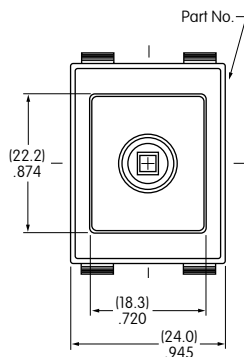
**JPM26B-H**

### JPM & JPL Single & Double Pole



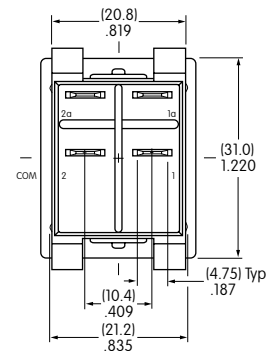
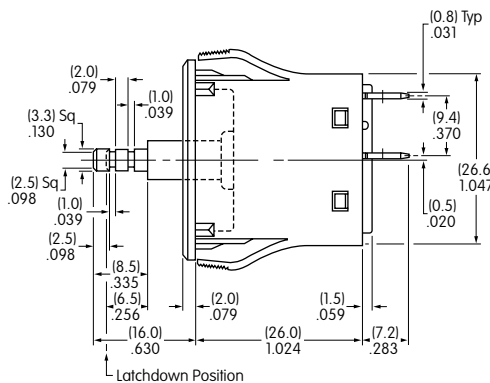
Single pole model does not have terminals 2 & 2a.

### Plunger with Flat Flange



**JPL16P**

### JPM & JPL Single & Double Pole



Single pole model does not have terminals 2 & 2a.



Компания «ЭлектроПласт» предлагает заключение долгосрочных отношений при поставках импортных электронных компонентов на взаимовыгодных условиях!

Наши преимущества:

- Оперативные поставки широкого спектра электронных компонентов отечественного и импортного производства напрямую от производителей и с крупнейших мировых складов;
- Поставка более 17-ти миллионов наименований электронных компонентов;
- Поставка сложных, дефицитных, либо снятых с производства позиций;
- Оперативные сроки поставки под заказ (от 5 рабочих дней);
- Экспресс доставка в любую точку России;
- Техническая поддержка проекта, помощь в подборе аналогов, поставка прототипов;
- Система менеджмента качества сертифицирована по Международному стандарту ISO 9001;
- Лицензия ФСБ на осуществление работ с использованием сведений, составляющих государственную тайну;
- Поставка специализированных компонентов (Xilinx, Altera, Analog Devices, Intersil, Interpoint, Microsemi, Aeroflex, Peregrine, Syfer, Eurofarad, Texas Instrument, Miteq, Cobham, E2V, MA-COM, Hittite, Mini-Circuits, General Dynamics и др.);

Помимо этого, одним из направлений компании «ЭлектроПласт» является направление «Источники питания». Мы предлагаем Вам помощь Конструкторского отдела:

- Подбор оптимального решения, техническое обоснование при выборе компонента;
- Подбор аналогов;
- Консультации по применению компонента;
- Поставка образцов и прототипов;
- Техническая поддержка проекта;
- Защита от снятия компонента с производства.



#### Как с нами связаться

**Телефон:** 8 (812) 309 58 32 (многоканальный)

**Факс:** 8 (812) 320-02-42

**Электронная почта:** [org@eplast1.ru](mailto:org@eplast1.ru)

**Адрес:** 198099, г. Санкт-Петербург, ул. Калинина, дом 2, корпус 4, литера А.