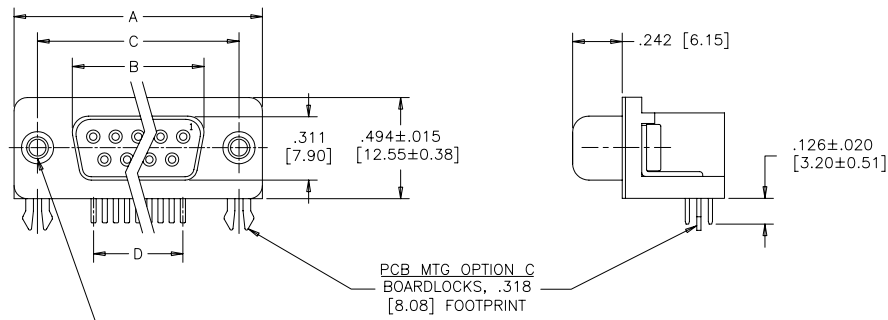


**.318 [8.08] FOOTPRINT**  
(STANDARD PCB LAYOUT)

| REVISIONS |                             |          |        |
|-----------|-----------------------------|----------|--------|
| REV       | ECN, ERN NO.                | DATE     | APPRD. |
| B         | PRODUCT DRAWING (EAR 12937) | APR28/06 | K.L.   |



**DIMENSIONS**

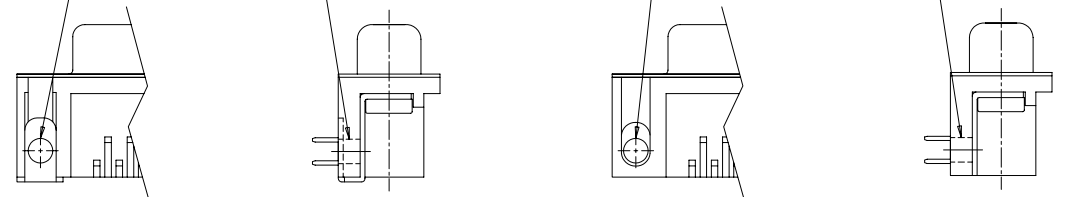
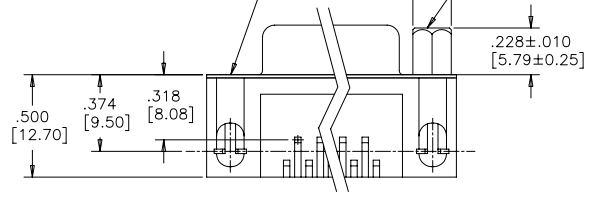
| SIZE | A±.015 [0.38] | B±.005 [0.13] | C±.005 [0.13] | D BSC.        |
|------|---------------|---------------|---------------|---------------|
| 009  | 1.213 [30.81] | .643 [16.33]  | .984 [24.99]  | .432 [10.97]  |
| 015  | 1.541 [39.14] | .971 [24.66]  | 1.312 [33.32] | .756 [19.20]  |
| 025  | 2.088 [53.04] | 1.511 [38.38] | 1.852 [47.04] | 1.304 [33.12] |
| 037  | 2.729 [69.32] | 2.159 [54.84] | 2.500 [63.50] | 1.956 [49.68] |

PANEL MTG. OPTIONS 0 OR 1  
.120 [3.05] DIA. OR #4-40 THROUGH HOLES (2 PLACES), SEE ORDERING CODE.

PANEL MTG. OPTION 2  
#4-40 UNC THREADED HEX JACK SOCKET (2 INSTALLED)

PCB MTG. OPTION A  
Ø.120 [3.05] MTG HOLE WITH WRAP-AROUND GROUND STRAP, .318 [8.08] FOOTPRINT

PCB MTG. OPTIONS D OR J  
Ø.120 [3.05] MTG HOLE OR #4-40 THREADED MTG HOLE, .318 [8.08] FOOTPRINT



**ORDERING CODE:**

**PART NUMBER:** 6 E 1 7 X - X X X S X X - X 2 0 X

**SERIES** \_\_\_\_\_

**PCB MTG. OPTIONS** \_\_\_\_\_

A=Ø.120 [3.05] MTG HOLE WITH WRAP-AROUND GROUND STRAP, .318 [8.08] FOOTPRINT  
 C=BOARDLOCK OPTION, .318 [8.08] FOOTPRINT  
 D=Ø.120 [3.05] MTG HOLE, .318 [8.08] FOOTPRINT  
 J=#4-40 THREADED MTG HOLE, .318 [8.08] FOOTPRINT  
 U=Ø.120 [3.05] MTG HOLE, .590 [14.99] FOOTPRINT  
 Y=BOARDLOCK OPTION, .590 [14.99] FOOTPRINT

**NUMBER OF CONTACTS** \_\_\_\_\_

009, 015, 025, 037

**STYLE** \_\_\_\_\_

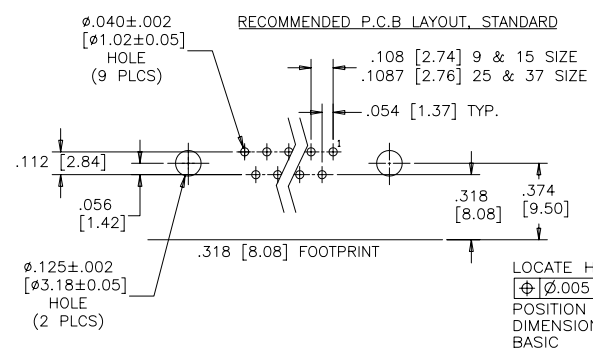
S=SOCKET

**PCB LAYOUT CODE**  
NO DIGIT=STANDARD  
.374 [9.50] DIM'N FOR .318 [8.08] F/P  
.315 [8.00] DIM'N FOR .590 [14.99] F/P  
E=.646 [16.41] DIM'N FOR .590 [14.99] F/P

**SHELL CHARACTERISTICS**  
20=TIN PLATED RECEPTACLE SHELL

**PANEL MOUNTING OPTIONS**  
0=Ø.120" [3.05] THROUGH HOLE  
1=#4-40 THREADED HOLE  
2=MOUNTING OPTION 1 WITH #4-40 UNC HEX JACK SOCKETS INSTALLED

**CONTACT PLATING OPTIONS**  
BF=ENGAGEMENT AREA 3µ" [0.08 MICRONS] GOLD FLASH  
CF=ENGAGEMENT AREA 15µ" [0.38 MICRONS] GOLD  
AJ=ENGAGEMENT AREA 30µ" [0.76 MICRONS] GOLD



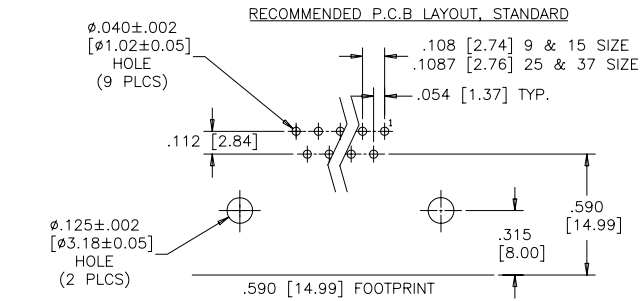
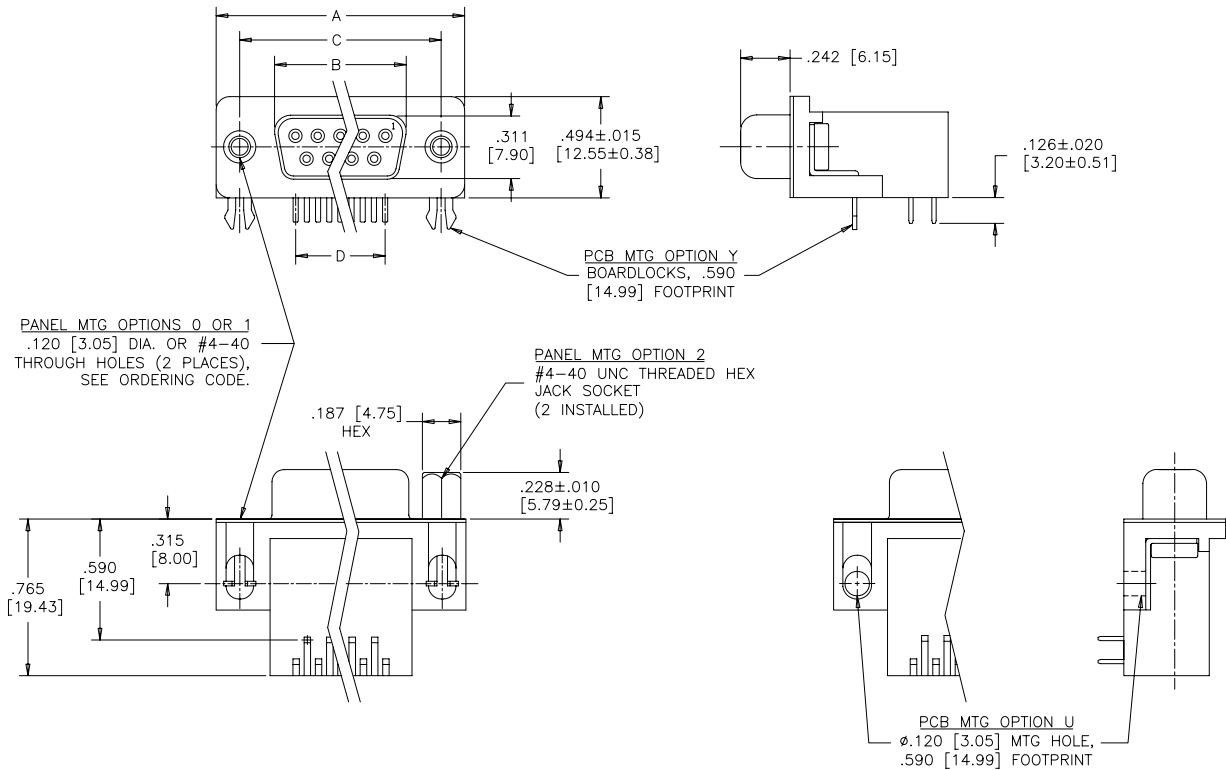
SEE SHEET 2 FOR NOTES & SPECIFICATIONS

|                          |           |              |                     |
|--------------------------|-----------|--------------|---------------------|
| DRAWN                    | A.CHENG   | DATE         | APR13/06            |
| DESIGNED                 |           |              |                     |
| CHECKED                  | K.LAMBIE  | APR13/06     |                     |
| I. E. APPRD.             |           |              |                     |
| Q. A. APPRD.             |           |              |                     |
| DWG. APPRD.              |           |              |                     |
| ENG. REL. NO.            |           | DWG          | DRAWING NO.         |
| REF.                     | EAR 12937 | C            | P-6E17X-XXXSXX-X20X |
| DIMENSIONS ARE IN INCHES |           | CODE ID. NO. | 03554               |

|   |       |       |       |
|---|-------|-------|-------|
| <b>Amphenol Canada Corp.</b>  |       |       |       |
| TITLE   |       |       |       |
| 6E17 SERIES D-SUB CONNECTOR, 9 TO 37 SIZE SOCKET, RIGHT ANGLE WITH F/P, MTG AND PLATING OPTIONS, RoHS COMPLIANT |       |       |       |
| REV.  | B     | SCALE | 2/1   |
| WT.   | ----- | SURF. | ----- |
| SHEET 1 OF 2  |       |       |       |

THIS DOCUMENT CONTAINS PROPRIETARY INFORMATION AND SUCH INFORMATION MAY NOT BE DISCLOSED TO OTHERS FOR ANY PURPOSE OR USED FOR MANUFACTURING PURPOSES WITHOUT WRITTEN PERMISSION FROM AMPHENOL CANADA CORP.

**.590 [14.99] FOOTPRINT  
(STANDARD PCB LAYOUT)**



LOCATE HOLES  
⊕ Ø.005 [0.13]  
POSITION DIMENSIONS ARE BASIC

**DIMENSIONS**

| SIZE | A±.015 [0.38] | B±.005 [0.13] | C±.005 [0.13] | D BSC.        |
|------|---------------|---------------|---------------|---------------|
| 009  | 1.213 [30.81] | .643 [16.33]  | .984 [24.99]  | .432 [10.97]  |
| 015  | 1.541 [39.14] | .971 [24.66]  | 1.312 [33.32] | .756 [19.20]  |
| 025  | 2.088 [53.04] | 1.511 [38.38] | 1.852 [47.04] | 1.304 [33.12] |
| 037  | 2.729 [69.32] | 2.159 [54.84] | 2.500 [63.50] | 1.956 [49.68] |

**SPECIFICATIONS:**

**MATERIALS:** ALL MATERIALS ARE RoHS COMPLIANT

**SHELL:** STEEL, TIN PLATED

**INSERTS:** HIGH TEMPERATURE RESISTANT NYLON, GLASS REINFORCED, UL FLAMMABILITY RATING 94V-0, COLOUR: BLACK

**CONTACTS:** COPPER ALLOY, GOLD PLATING (SEE ORDERING CODE) OVER 50u" [1.27 MICRONS] NICKEL ON ENGAGEMENT AREA WITH 100u" [2.54 MICRONS] MIN. MATTE TIN ON CONTACT TERMINALS.

**BOARDLOCK:** COPPER ALLOY, TIN PLATED

**ELECTRICAL DATA:**

**CURRENT RATING:** 5 AMP

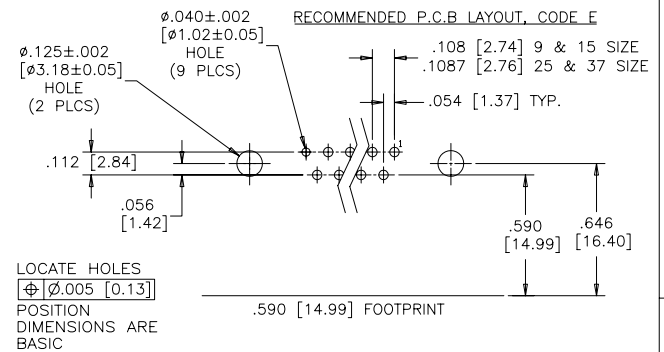
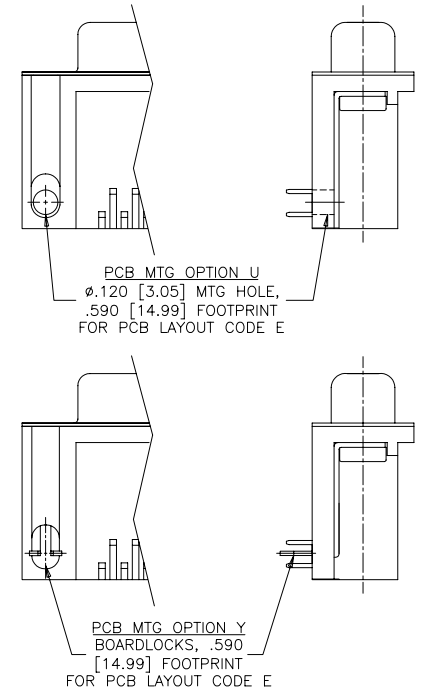
**CONTACT RESISTANCE:** 15 MILLIOHMS MAX.

**INSULATION RESISTANCE:** 3000 MEGOHMS MIN.

**DIELECTRIC WITHSTANDING VOLTAGE:** 1000 VAC rms

**OPERATING TEMPERATURE:** -55°C TO +105°C

**.590 [14.99] FOOTPRINT  
(PCB LAYOUT CODE E)**



LOCATE HOLES  
⊕ Ø.005 [0.13]  
POSITION DIMENSIONS ARE BASIC

SEE SHEET 1 FOR ORDERING CODE

| REVISIONS |                             |          |        |
|-----------|-----------------------------|----------|--------|
| REV       | ECN, ERN NO.                | DATE     | APPRD. |
| B         | PRODUCT DRAWING (EAR 12937) | APR28/06 | K.L.   |

|                   |           |              |          |
|-------------------|-----------|--------------|----------|
| DRAWN             | A.CHENG   | DATE         | APR13/06 |
| DESIGNED          |           |              |          |
| CHECKED           | K.LAMBIE  | DATE         | APR13/06 |
| I. E. APPRD.      |           |              |          |
| Q. A. APPRD.      |           |              |          |
| DWG. APPRD.       |           |              |          |
| ENG. REL. NO.     |           |              |          |
| REF.              | EAR 12937 |              |          |
| DIMENSIONS ARE IN | INCHES    | CODE ID. NO. | 03554    |

|                       |                     |       |   |
|-----------------------|---------------------|-------|---|
| Amphenol Canada Corp. |                     | TITLE | 6E17 SERIES D-SUB CONNECTOR, 9 TO 37 SIZE SOCKET, RIGHT ANGLE WITH F/P, MTG AND PLATING OPTIONS, RoHS COMPLIANT |
|                       |                     | DWG   |   |
| C                     | P-6E17X-XXXSXX-X20X | B     |   |
| SCALE                 | 2/1                 | WT.   |   |
| SURF.                 |                     | SHEET | 2 OF 2  |



Компания «ЭлектроПласт» предлагает заключение долгосрочных отношений при поставках импортных электронных компонентов на взаимовыгодных условиях!

Наши преимущества:

- Оперативные поставки широкого спектра электронных компонентов отечественного и импортного производства напрямую от производителей и с крупнейших мировых складов;
- Поставка более 17-ти миллионов наименований электронных компонентов;
- Поставка сложных, дефицитных, либо снятых с производства позиций;
- Оперативные сроки поставки под заказ (от 5 рабочих дней);
- Экспресс доставка в любую точку России;
- Техническая поддержка проекта, помощь в подборе аналогов, поставка прототипов;
- Система менеджмента качества сертифицирована по Международному стандарту ISO 9001;
- Лицензия ФСБ на осуществление работ с использованием сведений, составляющих государственную тайну;
- Поставка специализированных компонентов (Xilinx, Altera, Analog Devices, Intersil, Interpoint, Microsemi, Aeroflex, Peregrine, Syfer, Eurofarad, Texas Instrument, Miteq, Cobham, E2V, MA-COM, Hittite, Mini-Circuits, General Dynamics и др.);

Помимо этого, одним из направлений компании «ЭлектроПласт» является направление «Источники питания». Мы предлагаем Вам помощь Конструкторского отдела:

- Подбор оптимального решения, техническое обоснование при выборе компонента;
- Подбор аналогов;
- Консультации по применению компонента;
- Поставка образцов и прототипов;
- Техническая поддержка проекта;
- Защита от снятия компонента с производства.



#### Как с нами связаться

**Телефон:** 8 (812) 309 58 32 (многоканальный)

**Факс:** 8 (812) 320-02-42

**Электронная почта:** [org@eplast1.ru](mailto:org@eplast1.ru)

**Адрес:** 198099, г. Санкт-Петербург, ул. Калинина, дом 2, корпус 4, литера А.