

74LVC2G74

Single D-type flip-flop with set and reset;
positive edge trigger

Rev. 12 — 3 October 2018

Product data sheet

1. General description

The 74LVC2G74 is a single positive-edge triggered D-type flip-flop with individual data (D) inputs, clock (CP) inputs, set (\overline{SD}) and reset (\overline{RD}) inputs, and complementary Q and \overline{Q} outputs.

This device is fully specified for partial power-down applications using I_{OFF} . The I_{OFF} circuitry disables the output, preventing damaging backflow current through the device when it is powered down.

The set and reset are asynchronous active LOW inputs and operate independently of the clock input. Information on the data input is transferred to the Q output on the LOW-to-HIGH transition of the clock pulse. The D inputs must be stable, one set-up time prior to the LOW-to-HIGH clock transition for predictable operation.

Schmitt-trigger action at all inputs makes the circuit highly tolerant of slower input rise and fall times.

2. Features and benefits

- Wide supply voltage range from 1.65 V to 5.5 V
- 5 V tolerant inputs for interfacing with 5 V logic
- High noise immunity
- Complies with JEDEC standard:
 - JESD8-7 (1.65 V to 1.95 V)
 - JESD8-5 (2.3 V to 2.7 V)
 - JESD8-B/JESD36 (2.7 V to 3.6 V)
- ± 24 mA output drive ($V_{CC} = 3.0$ V)
- ESD protection:
 - HBM JESD22-A114F exceeds 2000 V
 - MM JESD22-A115-A exceeds 200 V
- CMOS low power consumption
- Latch-up performance exceeds 250 mA
- Direct interface with TTL levels
- Inputs accept voltages up to 5 V
- Multiple package options
- Specified from -40 °C to $+85$ °C and -40 °C to $+125$ °C

3. Ordering information

Table 1. Ordering information

Type number	Package			
	Temperature range	Name	Description	Version
74LVC2G74DP	-40 °C to +125 °C	TSSOP8	plastic thin shrink small outline package; 8 leads; body width 3 mm; lead length 0.5 mm	SOT505-2
74LVC2G74DC	-40 °C to +125 °C	VSSOP8	plastic very thin shrink small outline package; 8 leads; body width 2.3 mm	SOT765-1
74LVC2G74GT	-40 °C to +125 °C	XSON8	plastic extremely thin small outline package; no leads; 8 terminals; body 1 × 1.95 × 0.5 mm	SOT833-1
74LVC2G74GF	-40 °C to +125 °C	XSON8	extremely thin small outline package; no leads; 8 terminals; body 1.35 × 1 × 0.5 mm	SOT1089
74LVC2G74GM	-40 °C to +125 °C	XQFN8	plastic, extremely thin quad flat package; no leads; 8 terminals; body 1.6 × 1.6 × 0.5 mm	SOT902-2
74LVC2G74GN	-40 °C to +125 °C	XSON8	extremely thin small outline package; no leads; 8 terminals; body 1.2 × 1.0 × 0.35 mm	SOT1116
74LVC2G74GS	-40 °C to +125 °C	XSON8	extremely thin small outline package; no leads; 8 terminals; body 1.35 × 1.0 × 0.35 mm	SOT1203

4. Marking

Table 2. Marking codes

Type number	Marking code [1]
74LVC2G74DP	V74
74LVC2G74DC	V74
74LVC2G74GT	V74
74LVC2G74GF	Y4
74LVC2G74GM	V74
74LVC2G74GN	Y4
74LVC2G74GS	Y4

[1] The pin 1 indicator is located on the lower left corner of the device, below the marking code.

5. Functional diagram

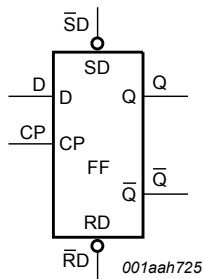


Fig. 1. Logic symbol

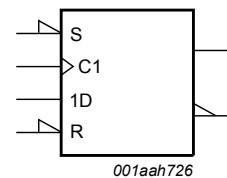


Fig. 2. IEC logic symbol

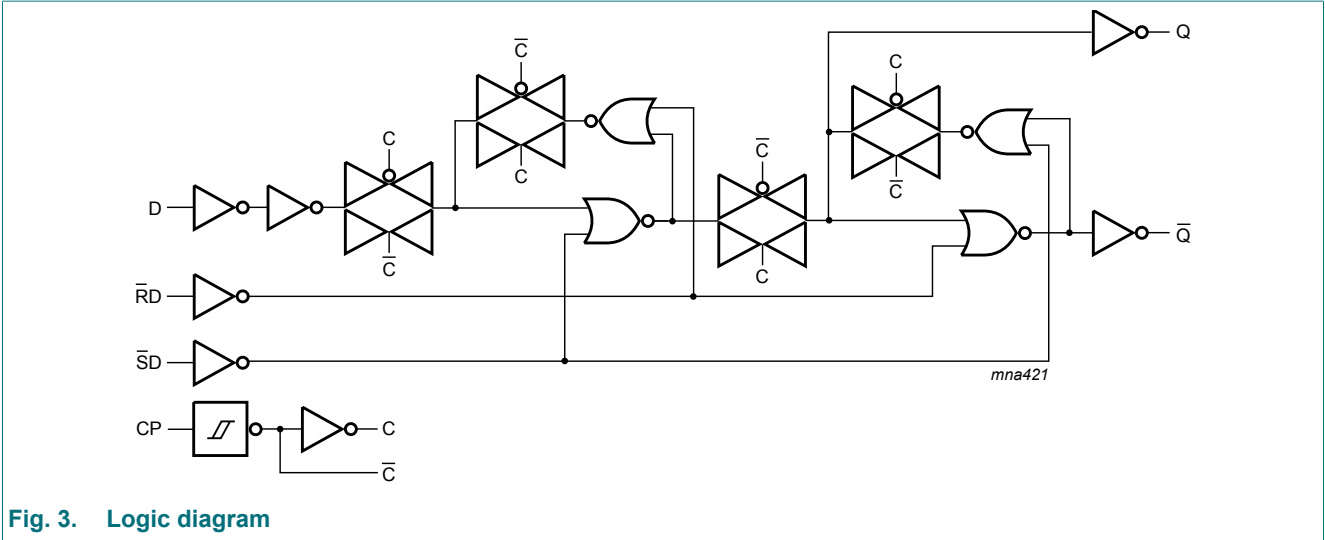


Fig. 3. Logic diagram

6. Pinning information

6.1. Pinning

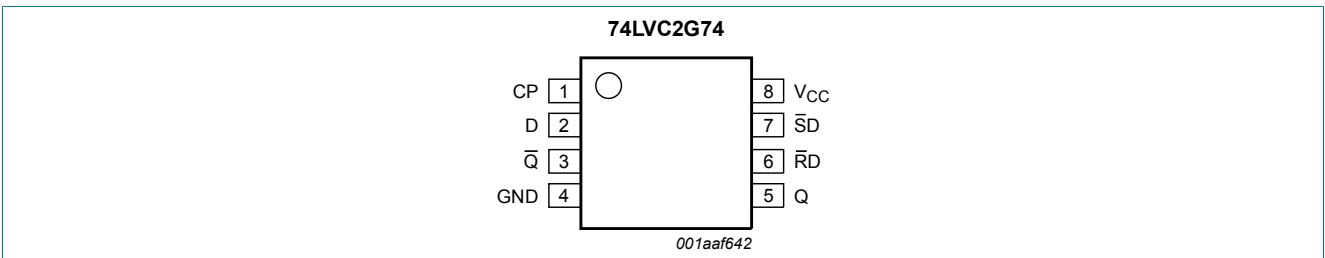


Fig. 4. Pin configuration SOT505-2 (TSSOP8) and SOT765-1 (VSSOP8)

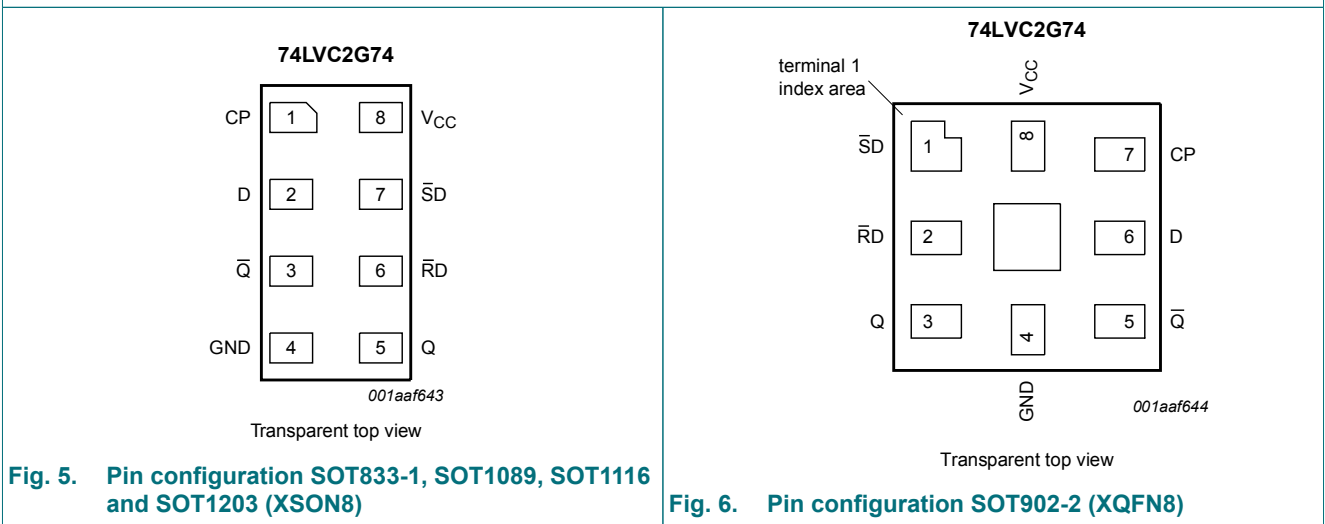


Fig. 5. Pin configuration SOT833-1, SOT1089, SOT1116 and SOT1203 (XSON8)

Fig. 6. Pin configuration SOT902-2 (XQFN8)

6.2. Pin description

Table 3. Pin description

Symbol	Pin		Description
	SOT505-2, SOT765-1, SOT833-1, SOT1089, SOT1116 and SOT1203	SOT902-2	
CP	1	7	clock input (LOW-to-HIGH, edge-triggered)
D	2	6	data input
\bar{Q}	3	5	complement output
GND	4	4	ground (0 V)
Q	5	3	true output
\bar{RD}	6	2	asynchronous reset-direct input (active LOW)
\bar{SD}	7	1	asynchronous set-direct input (active LOW)
V_{CC}	8	8	supply voltage

7. Functional description

Table 4. Function table for asynchronous operation

H = HIGH voltage level; L = LOW voltage level; X = don't care.

Input				Output	
\bar{SD}	\bar{RD}	CP	D	Q	\bar{Q}
L	H	X	X	H	L
H	L	X	X	L	H
L	L	X	X	H	H

Table 5. Function table for synchronous operation

H = HIGH voltage level; L = LOW voltage level; \uparrow = LOW-to-HIGH CP transition; Q_{n+1} = state after the next LOW-to-HIGH CP transition.

Input				Output	
\bar{SD}	\bar{RD}	CP	D	Q_{n+1}	\bar{Q}_{n+1}
H	H	\uparrow	L	L	H
H	H	\uparrow	H	H	L

8. Limiting values

Table 6. Limiting values

In accordance with the Absolute Maximum Rating System (IEC 60134). Voltages are referenced to GND (ground = 0 V).

Symbol	Parameter	Conditions	Min	Max	Unit
V_{CC}	supply voltage		-0.5	+6.5	V
I_{IK}	input clamping current	$V_I < 0$ V	-50	-	mA
V_I	input voltage		[1] -0.5	+6.5	V
I_{OK}	output clamping current	$V_O > V_{CC}$ or $V_O < 0$ V	-	±50	mA
V_O	output voltage	Active mode	[1] -0.5	$V_{CC} + 0.5$	V
		Power-down mode; $V_{CC} = 0$ V	[1] -0.5	+6.5	V
I_O	output current	$V_O = 0$ V to V_{CC}	-	±50	mA
I_{CC}	supply current		-	100	mA
I_{GND}	ground current		-100	-	mA
P_{tot}	total power dissipation	$T_{amb} = -40$ °C to $+125$ °C	[2] -	300	mW
T_{stg}	storage temperature		-65	+150	°C

[1] The input and output voltage ratings may be exceeded if the input and output current ratings are observed.

[2] For TSSOP8 packages: above 55 °C the value of P_{tot} derates linearly with 2.5 mW/K.

For VSSOP8 packages: above 110 °C the value of P_{tot} derates linearly with 8.0 mW/K.

For XSON8 and XQFN8 packages: above 118 °C the value of P_{tot} derates linearly with 7.8 mW/K.

9. Recommended operating conditions

Table 7. Operating conditions

Symbol	Parameter	Conditions	Min	Max	Unit
V_{CC}	supply voltage		1.65	5.5	V
V_I	input voltage		0	5.5	V
V_O	output voltage	Active mode	0	V_{CC}	V
		Power-down mode; $V_{CC} = 0$ V	0	5.5	V
T_{amb}	ambient temperature		-40	+125	°C
$\Delta t/\Delta V$	input transition rise and fall rate	$V_{CC} = 1.65$ V to 2.7 V	-	20	ns/V
		$V_{CC} = 2.7$ V to 5.5 V	-	10	ns/V

10. Static characteristics

Table 8. Static characteristics

At recommended operating conditions; voltages are referenced to GND (ground = 0 V).

Symbol	Parameter	Conditions	T _{amb} = -40 °C to +85 °C			T _{amb} = -40 °C to +125 °C		Unit
			Min	Typ [1]	Max	Min	Max	
V _{IH}	HIGH-level input voltage	V _{CC} = 1.65 V to 1.95 V	0.65V _{CC}	-	-	0.65V _{CC}	-	V
		V _{CC} = 2.3 V to 2.7 V	1.7	-	-	1.7	-	V
		V _{CC} = 2.7 V to 3.6 V	2.0	-	-	2.0	-	V
		V _{CC} = 4.5 V to 5.5 V	0.7V _{CC}	-	-	0.7V _{CC}	-	V
V _{IL}	LOW-level input voltage	V _{CC} = 1.65 V to 1.95 V	-	-	0.35V _{CC}	-	0.35V _{CC}	V
		V _{CC} = 2.3 V to 2.7 V	-	-	0.7	-	0.7	V
		V _{CC} = 2.7 V to 3.6 V	-	-	0.8	-	0.8	V
		V _{CC} = 4.5 V to 5.5 V	-	-	0.3V _{CC}	-	0.3V _{CC}	V
V _{OH}	HIGH-level output voltage	V _I = V _{IH} or V _{IL}						
		I _O = -100 μA; V _{CC} = 1.65 V to 5.5 V	V _{CC} - 0.1	-	-	V _{CC} - 0.1	-	V
		I _O = -4 mA; V _{CC} = 1.65 V	1.2	1.54	-	0.95	-	V
		I _O = -8 mA; V _{CC} = 2.3 V	1.9	2.15	-	1.7	-	V
		I _O = -12 mA; V _{CC} = 2.7 V	2.2	2.50	-	1.9	-	V
		I _O = -24 mA; V _{CC} = 3.0 V	2.3	2.62	-	2.0	-	V
V _{OL}	LOW-level output voltage	V _I = V _{IH} or V _{IL}						
		I _O = 100 μA; V _{CC} = 1.65 V to 5.5 V	-	-	0.10	-	0.10	V
		I _O = 4 mA; V _{CC} = 1.65 V	-	0.07	0.45	-	0.70	V
		I _O = 8 mA; V _{CC} = 2.3 V	-	0.12	0.30	-	0.45	V
		I _O = 12 mA; V _{CC} = 2.7 V	-	0.17	0.40	-	0.60	V
		I _O = 24 mA; V _{CC} = 3.0 V	-	0.33	0.55	-	0.80	V
I _I	input leakage current	I _O = 32 mA; V _{CC} = 4.5 V	-	0.39	0.55	-	0.80	V
		V _I = 5.5 V or GND; V _{CC} = 0 V to 5.5 V	-	±0.1	±1	-	±1	μA
		V _I or V _O = 5.5 V; V _{CC} = 0 V	-	±0.1	±2	-	±2	μA
		V _I = 5.5 V or GND; V _{CC} = 1.65 V to 5.5 V; I _O = 0 A	-	0.1	4	-	4	μA
		per pin; V _I = V _{CC} - 0.6 V; I _O = 0 A; V _{CC} = 2.3 V to 5.5 V	-	5	500	-	500	μA
		I _{CC}	supply current		-	0.1	4	-
ΔI _{CC}	additional supply current		-	5	500	-	500	μA
C _I	input capacitance		-	4.0	-	-	-	pF

[1] All typical values are measured at T_{amb} = 25 °C.

11. Dynamic characteristics

Table 9. Dynamic characteristics

Voltages are referenced to GND (ground = 0 V); for test circuit see Fig. 9.

Symbol	Parameter	Conditions	T _{amb} = -40 °C to +85 °C			T _{amb} = -40 °C to +125 °C		Unit
			Min	Typ [1]	Max	Min	Max	
t _{pd}	propagation delay	CP to Q, \bar{Q} ; see Fig. 7 [2]						
		V _{CC} = 1.65 V to 1.95 V	1.5	6.0	13.4	1.5	13.4	ns
		V _{CC} = 2.3 V to 2.7 V	1.0	3.5	7.1	1.0	7.1	ns
		V _{CC} = 2.7 V	1.0	3.5	7.1	1.0	7.1	ns
		V _{CC} = 3.0 V to 3.6 V	1.0	3.5	5.9	1.0	5.9	ns
		V _{CC} = 4.5 V to 5.5 V	1.0	2.5	4.1	1.0	4.1	ns
		$\bar{S}D$ to Q, \bar{Q} ; see Fig. 8 [2]						
		V _{CC} = 1.65 V to 1.95 V	1.5	6.0	12.9	1.5	12.9	ns
		V _{CC} = 2.3 V to 2.7 V	1.0	3.5	7.0	1.0	7.0	ns
		V _{CC} = 2.7 V	1.0	3.5	7.0	1.0	7.0	ns
		V _{CC} = 3.0 V to 3.6 V	1.0	3.0	5.9	1.0	5.9	ns
		V _{CC} = 4.5 V to 5.5 V	1.0	2.5	4.1	1.0	4.1	ns
		$\bar{R}D$ to Q, \bar{Q} ; see Fig. 8 [2]						
		V _{CC} = 1.65 V to 1.95 V	1.5	5.0	12.9	1.5	12.9	ns
		V _{CC} = 2.3 V to 2.7 V	1.0	3.5	7.0	1.0	7.0	ns
		V _{CC} = 2.7 V	1.0	3.5	7.0	1.0	7.0	ns
		V _{CC} = 3.0 V to 3.6 V	1.0	3.0	5.9	1.0	5.9	ns
		V _{CC} = 4.5 V to 5.5 V	1.0	2.5	4.1	1.0	4.1	ns
t _w	pulse width	CP HIGH or LOW; see Fig. 7						
		V _{CC} = 1.65 V to 1.95 V	6.2	-	-	6.2	-	ns
		V _{CC} = 2.3 V to 2.7 V	2.7	-	-	2.7	-	ns
		V _{CC} = 2.7 V	2.7	-	-	2.7	-	ns
		V _{CC} = 3.0 V to 3.6 V	2.7	1.3	-	2.7	-	ns
		V _{CC} = 4.5 V to 5.5 V	2.0	-	-	2.0	-	ns
		$\bar{S}D$ and $\bar{R}D$ LOW; see Fig. 8						
		V _{CC} = 1.65 V to 1.95 V	6.2	-	-	6.2	-	ns
		V _{CC} = 2.3 V to 2.7 V	2.7	-	-	2.7	-	ns
		V _{CC} = 2.7 V	2.7	-	-	2.7	-	ns
		V _{CC} = 3.0 V to 3.6 V	2.7	1.6	-	2.7	-	ns
		V _{CC} = 4.5 V to 5.5 V	2.0	-	-	2.0	-	ns
t _{rec}	recovery time	$\bar{S}D$ or $\bar{R}D$; see Fig. 8						
		V _{CC} = 1.65 V to 1.95 V	1.9	-	-	1.9	-	ns
		V _{CC} = 2.3 V to 2.7 V	1.4	-	-	1.4	-	ns
		V _{CC} = 2.7 V	1.3	-	-	1.3	-	ns
		V _{CC} = 3.0 V to 3.6 V	+1.2	-3.0	-	+1.2	-	ns
		V _{CC} = 4.5 V to 5.5 V	1.0	-	-	1.0	-	ns

Single D-type flip-flop with set and reset; positive edge trigger

Symbol	Parameter	Conditions	T _{amb} = -40 °C to +85 °C			T _{amb} = -40 °C to +125 °C		Unit
			Min	Typ [1]	Max	Min	Max	
t _{su}	set-up time	D to CP; see Fig. 7						
		V _{CC} = 1.65 V to 1.95 V	2.9	-	-	2.9	-	ns
		V _{CC} = 2.3 V to 2.7 V	1.7	-	-	1.7	-	ns
		V _{CC} = 2.7 V	1.7	-	-	1.7	-	ns
		V _{CC} = 3.0 V to 3.6 V	1.3	0.5	-	1.3	-	ns
		V _{CC} = 4.5 V to 5.5 V	1.1	-	-	1.1	-	ns
t _h	hold time	D to CP; see Fig. 7						
		V _{CC} = 1.65 V to 1.95 V	1.5	-	-	1.5	-	ns
		V _{CC} = 2.3 V to 2.7 V	1.0	-	-	1.0	-	ns
		V _{CC} = 2.7 V	1.0	-	-	1.0	-	ns
		V _{CC} = 3.0 V to 3.6 V	1.0	0.6	-	1.0	-	ns
		V _{CC} = 4.5 V to 5.5 V	1.0	-	-	1.0	-	ns
f _{max}	maximum frequency	CP; see Fig. 7						
		V _{CC} = 1.65 V to 1.95 V	80	-	-	80	-	MHz
		V _{CC} = 2.3 V to 2.7 V	175	-	-	175	-	MHz
		V _{CC} = 2.7 V	175	-	-	175	-	MHz
		V _{CC} = 3.0 V to 3.6 V	175	280	-	175	-	MHz
		V _{CC} = 4.5 V to 5.5 V	200	-	-	200	-	MHz
C _{PD}	power dissipation capacitance	V _I = GND to V _{CC} ; V _{CC} = 3.3 V [3]	-	15	-	-	-	pF

[1] Typical values are measured at T_{amb} = 25 °C and V_{CC} = 1.8 V, 2.5 V, 2.7 V, 3.3 V and 5.0 V respectively.

[2] t_{pd} is the same as t_{PLH} and t_{PHL}.

[3] C_{PD} is used to determine the dynamic power dissipation (P_D in μW).

$$P_D = C_{PD} \times V_{CC}^2 \times f_i \times N + \sum(C_L \times V_{CC}^2 \times f_o) \text{ where:}$$

f_i = input frequency in MHz;

f_o = output frequency in MHz;

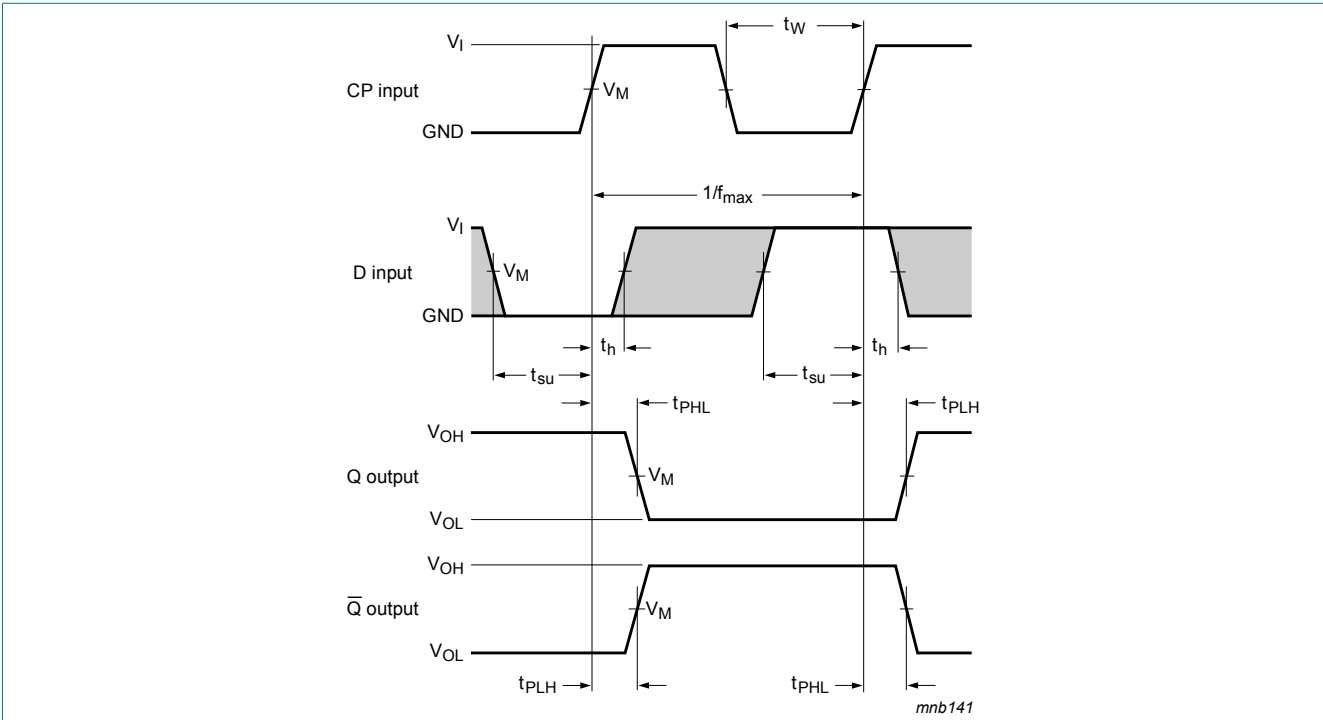
C_L = output load capacitance in pF;

V_{CC} = supply voltage in V;

N = number of inputs switching;

∑(C_L × V_{CC}² × f_o) = sum of outputs.

11.1. Waveforms and test circuit



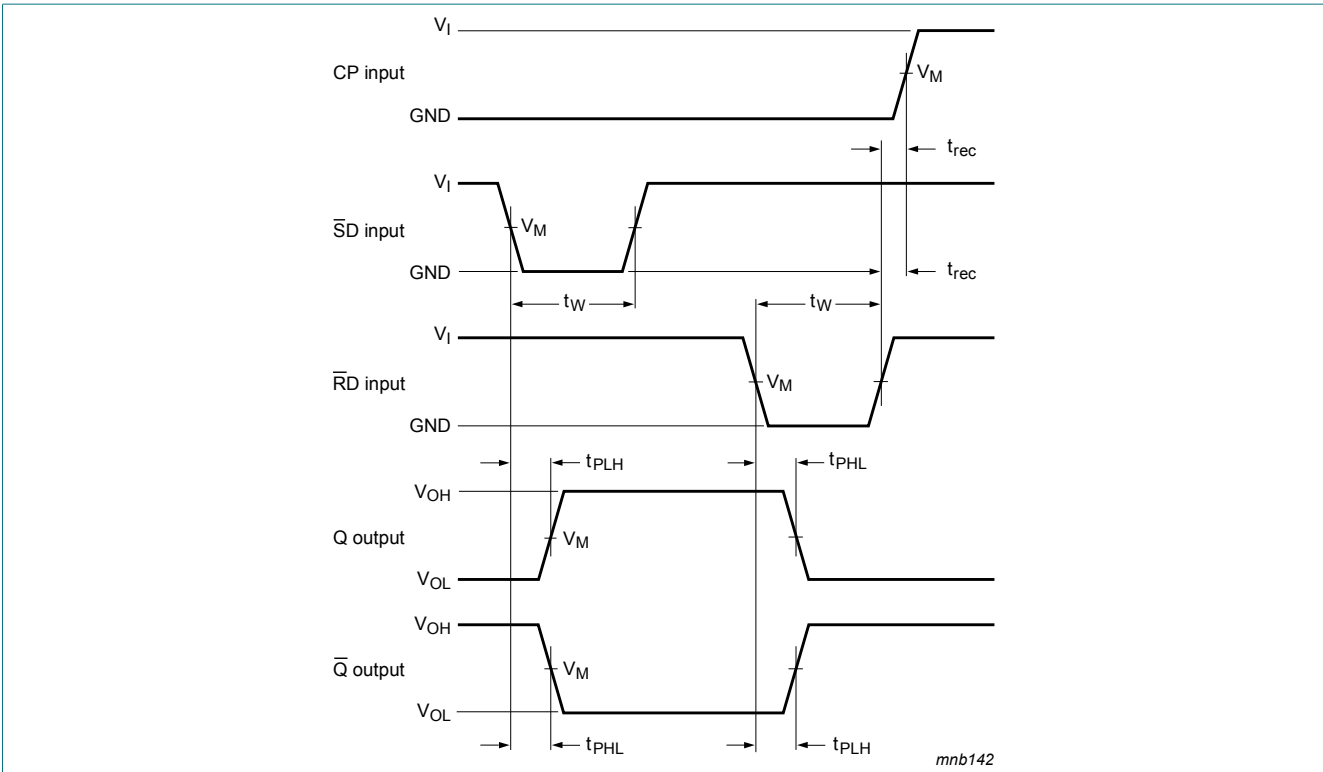
Measurement points are given in [Table 10](#).

The shaded areas indicate when the input is permitted to change for predictable output performance.

V_{OL} and V_{OH} are typical output voltage levels that occur with the output load.

Fig. 7. The clock input (CP) to output (Q, Q̄) propagation delays, the clock pulse width, the D to CP set-up time, the CP to D hold time and the CP maximum frequency

Single D-type flip-flop with set and reset; positive edge trigger



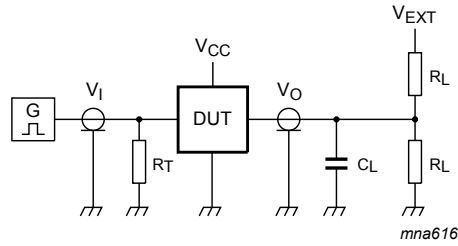
Measurement points are given in [Table 10](#).
 V_{OL} and V_{OH} are typical output voltage levels that occur with the output load.

Fig. 8. The set (\overline{SD}) and reset (\overline{RD}) input to output (Q, \overline{Q}) propagation delays, the set and reset pulse widths and the \overline{RD} to CP recovery time

Table 10. Measurement points

Supply voltage	Input	Output
V_{CC}	V_M	V_M
1.65 V to 1.95 V	$0.5 \times V_{CC}$	$0.5 \times V_{CC}$
2.3 V to 2.7 V	$0.5 \times V_{CC}$	$0.5 \times V_{CC}$
2.7 V	1.5 V	1.5 V
3.0 V to 3.6 V	1.5 V	1.5 V
4.5 V to 5.5 V	$0.5 \times V_{CC}$	$0.5 \times V_{CC}$

Single D-type flip-flop with set and reset; positive edge trigger



Test data is given in [Table 11](#).

Definitions for test circuit:

R_L = Load resistance.

C_L = Load capacitance including jig and probe capacitance.

R_T = Termination resistance should be equal to the output impedance Z_o of the pulse generator.

V_{EXT} = External voltage for measuring switching times.

Fig. 9. Test circuit for measuring switching times

Table 11. Test data

Supply voltage	Input		Load		V_{EXT}		
V_{CC}	V_I	t_r, t_f	C_L	R_L	t_{PLH}, t_{PHL}	t_{PZH}, t_{PHZ}	t_{PZL}, t_{PLZ}
1.65 V to 1.95 V	V_{CC}	≤ 2.0 ns	30 pF	1 k Ω	open	GND	$2V_{CC}$
2.3 V to 2.7 V	V_{CC}	≤ 2.0 ns	30 pF	500 Ω	open	GND	$2V_{CC}$
2.7 V	2.7 V	≤ 2.5 ns	50 pF	500 Ω	open	GND	6 V
3.0 V to 3.6 V	2.7 V	≤ 2.5 ns	50 pF	500 Ω	open	GND	6 V
4.5 V to 5.5 V	V_{CC}	≤ 2.5 ns	50 pF	500 Ω	open	GND	$2V_{CC}$

12. Package outline

TSSOP8: plastic thin shrink small outline package; 8 leads; body width 3 mm; lead length 0.5 mm SOT505-2

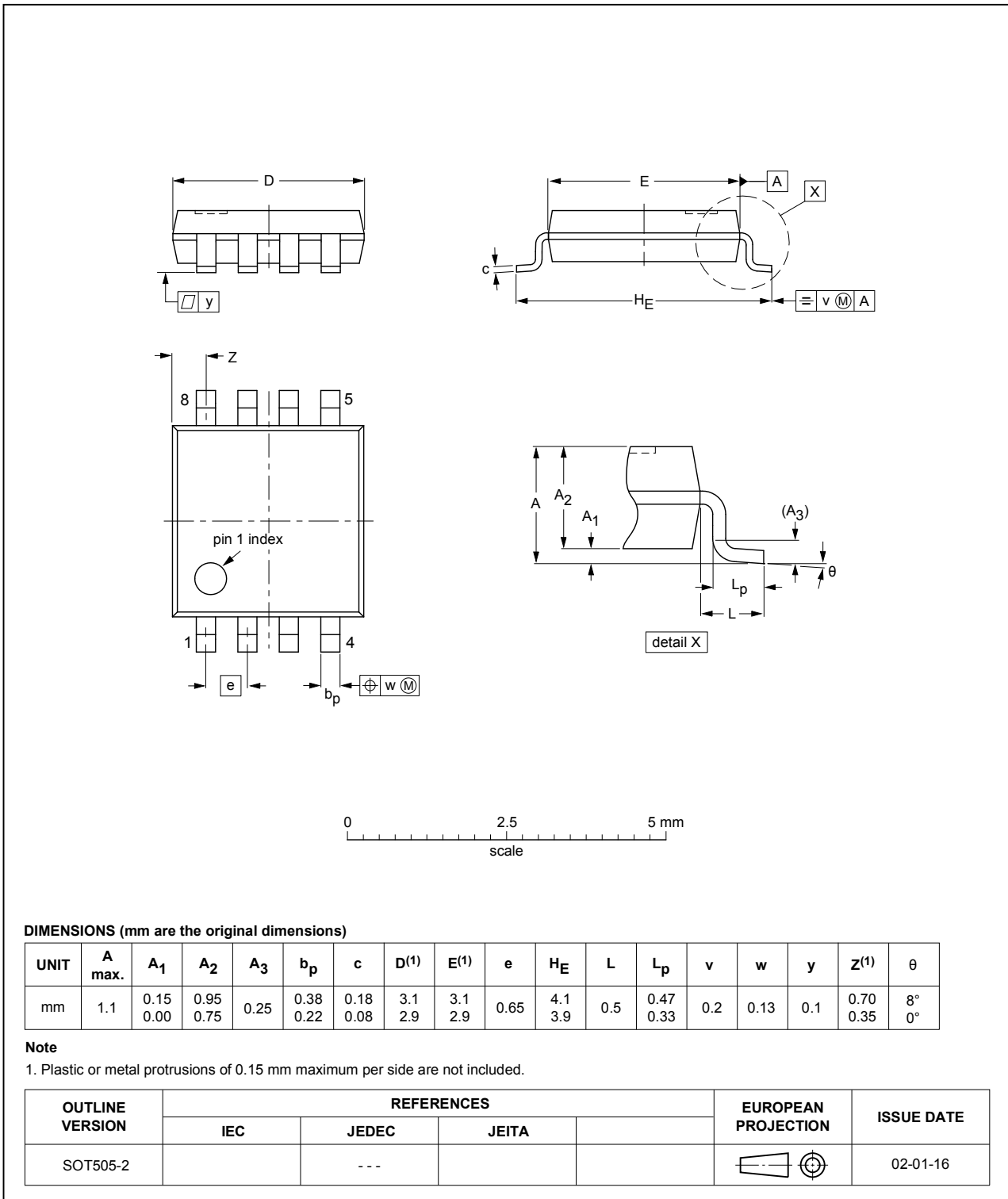


Fig. 10. Package outline SOT505-2 (TSSOP8)

VSSOP8: plastic very thin shrink small outline package; 8 leads; body width 2.3 mm

SOT765-1

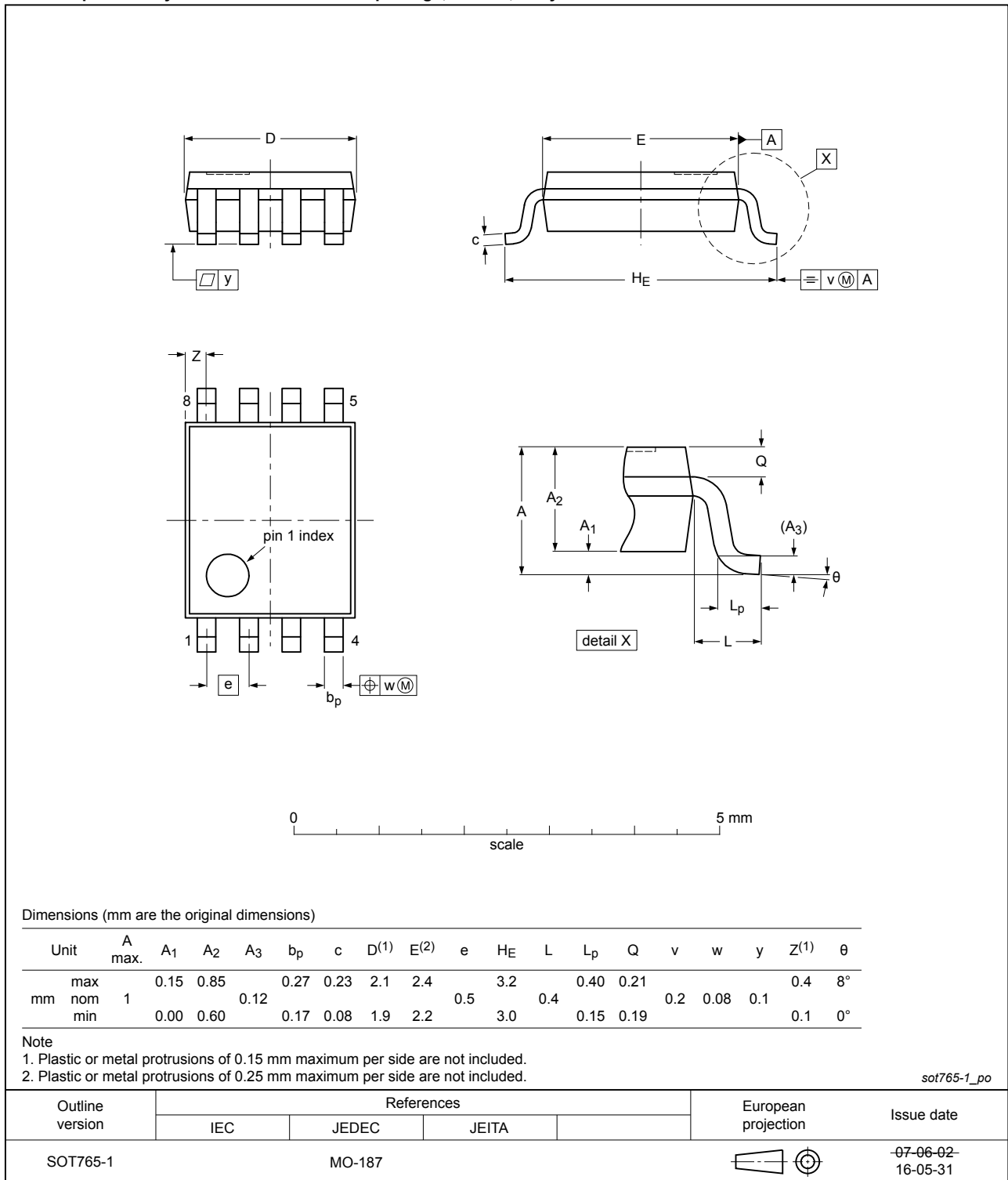


Fig. 11. Package outline SOT765-1 (VSSOP8)

XSON8: plastic extremely thin small outline package; no leads; 8 terminals; body 1 x 1.95 x 0.5 mm

SOT833-1

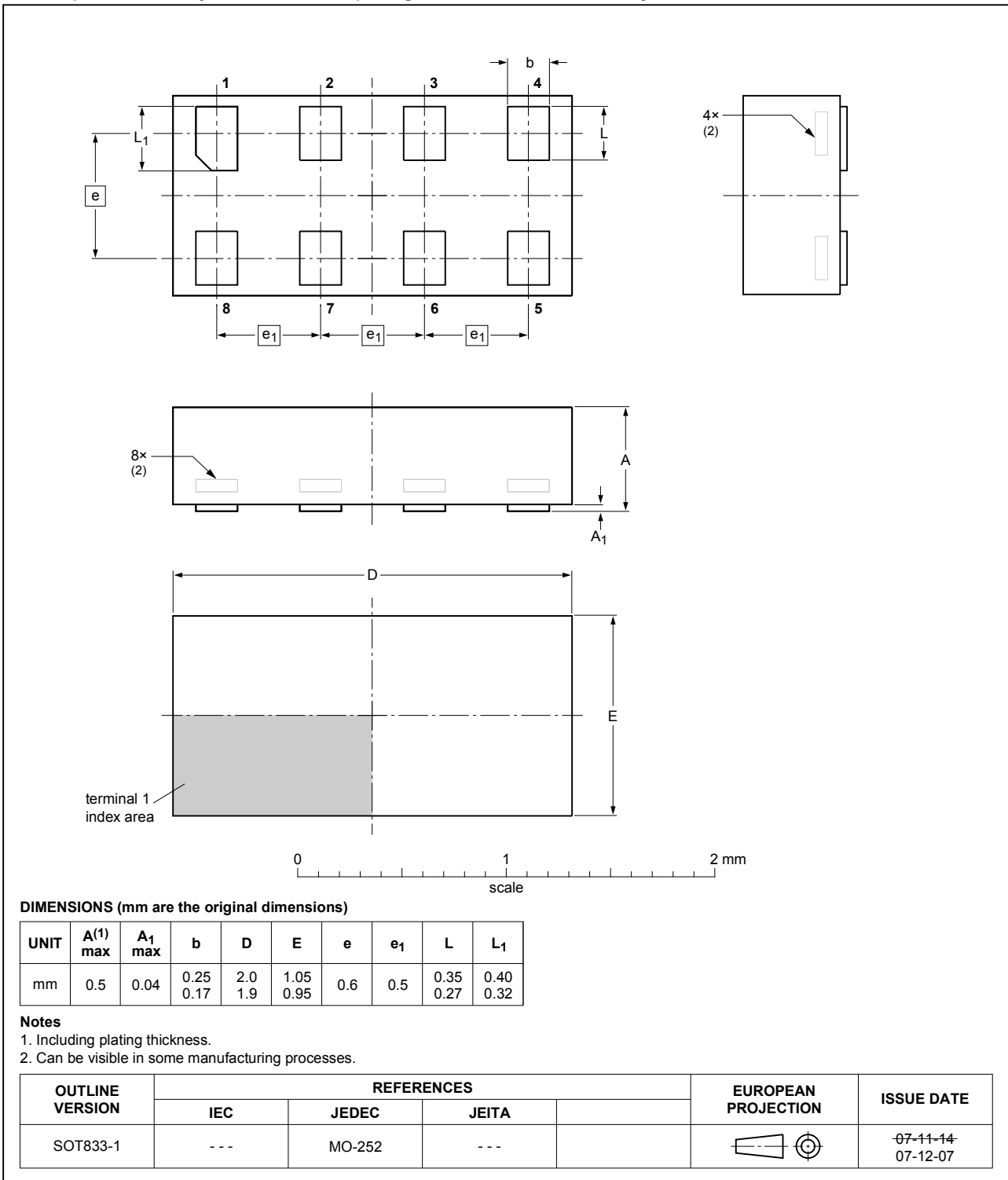


Fig. 12. Package outline SOT833-1 (XSON8)

Single D-type flip-flop with set and reset; positive edge trigger

XSON8: extremely thin small outline package; no leads;
8 terminals; body 1.35 x 1 x 0.5 mm

SOT1089

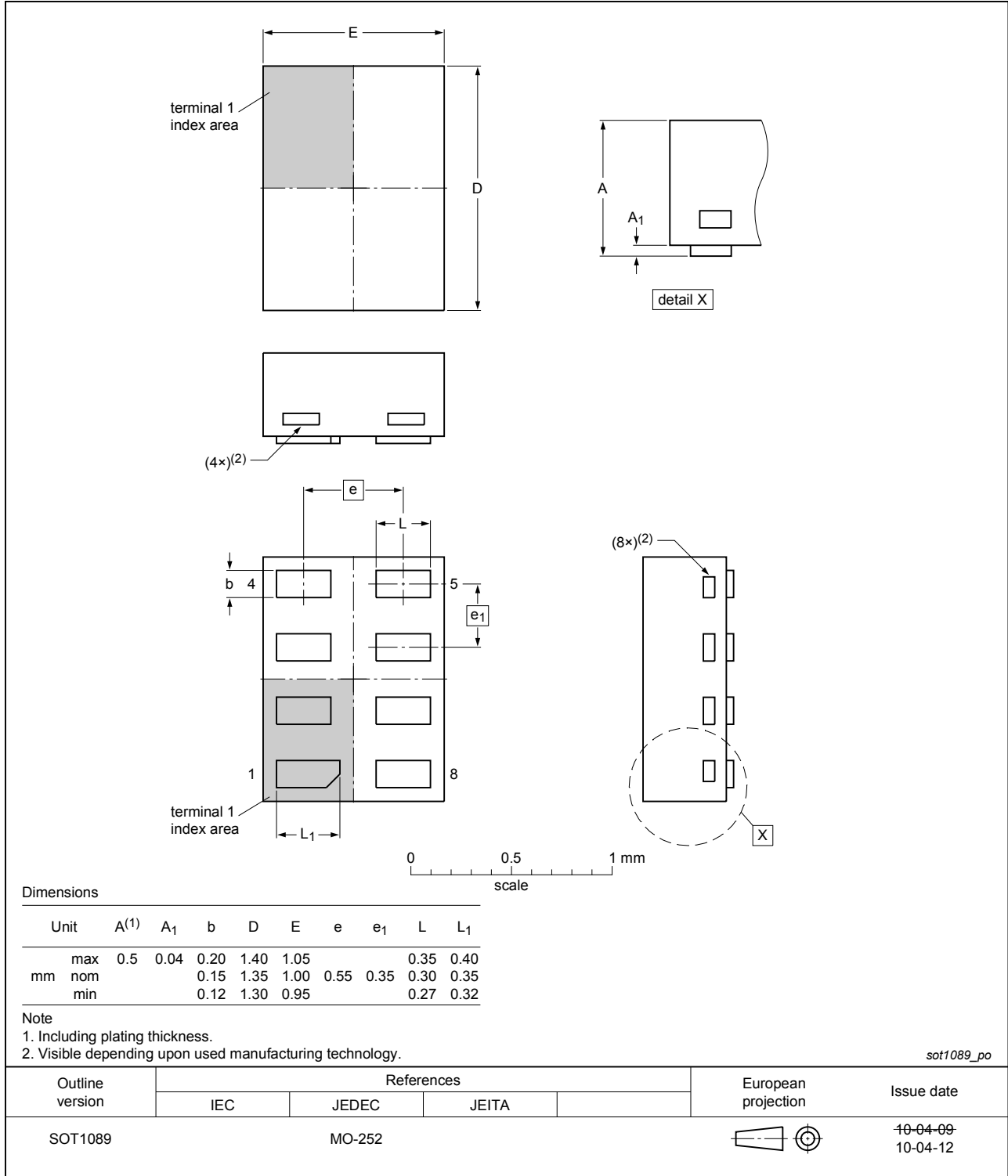


Fig. 13. Package outline SOT1089 (XSON8)

Single D-type flip-flop with set and reset; positive edge trigger

XQFN8: plastic, extremely thin quad flat package; no leads;
8 terminals; body 1.6 x 1.6 x 0.5 mm

SOT902-2



Fig. 14. Package outline SOT902-2 (XQFN8)

Single D-type flip-flop with set and reset; positive edge trigger

XSON8: extremely thin small outline package; no leads;
8 terminals; body 1.2 x 1.0 x 0.35 mm

SOT1116

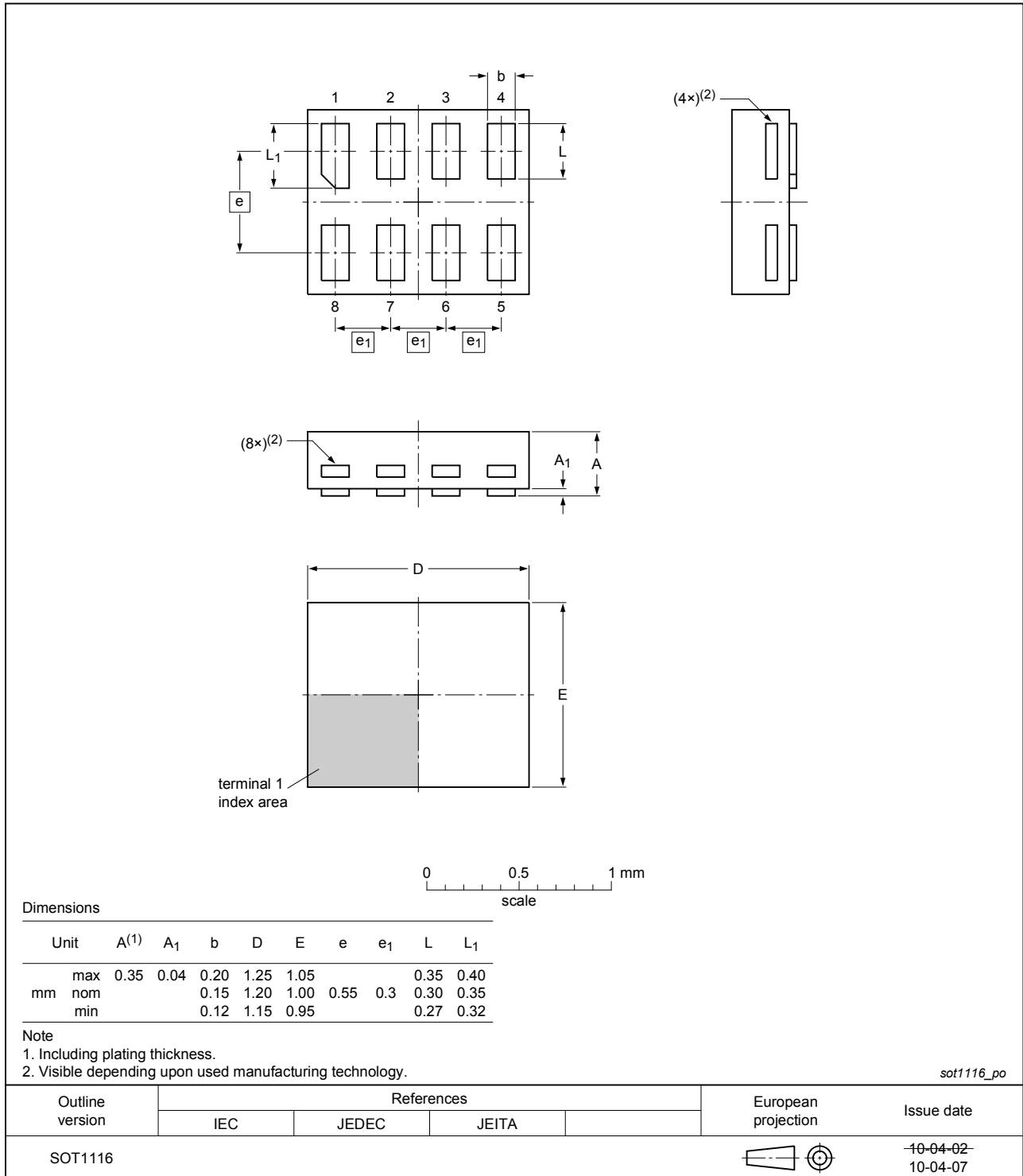


Fig. 15. Package outline SOT1116 (XSON8)

XSON8: extremely thin small outline package; no leads;
8 terminals; body 1.35 x 1.0 x 0.35 mm

SOT1203

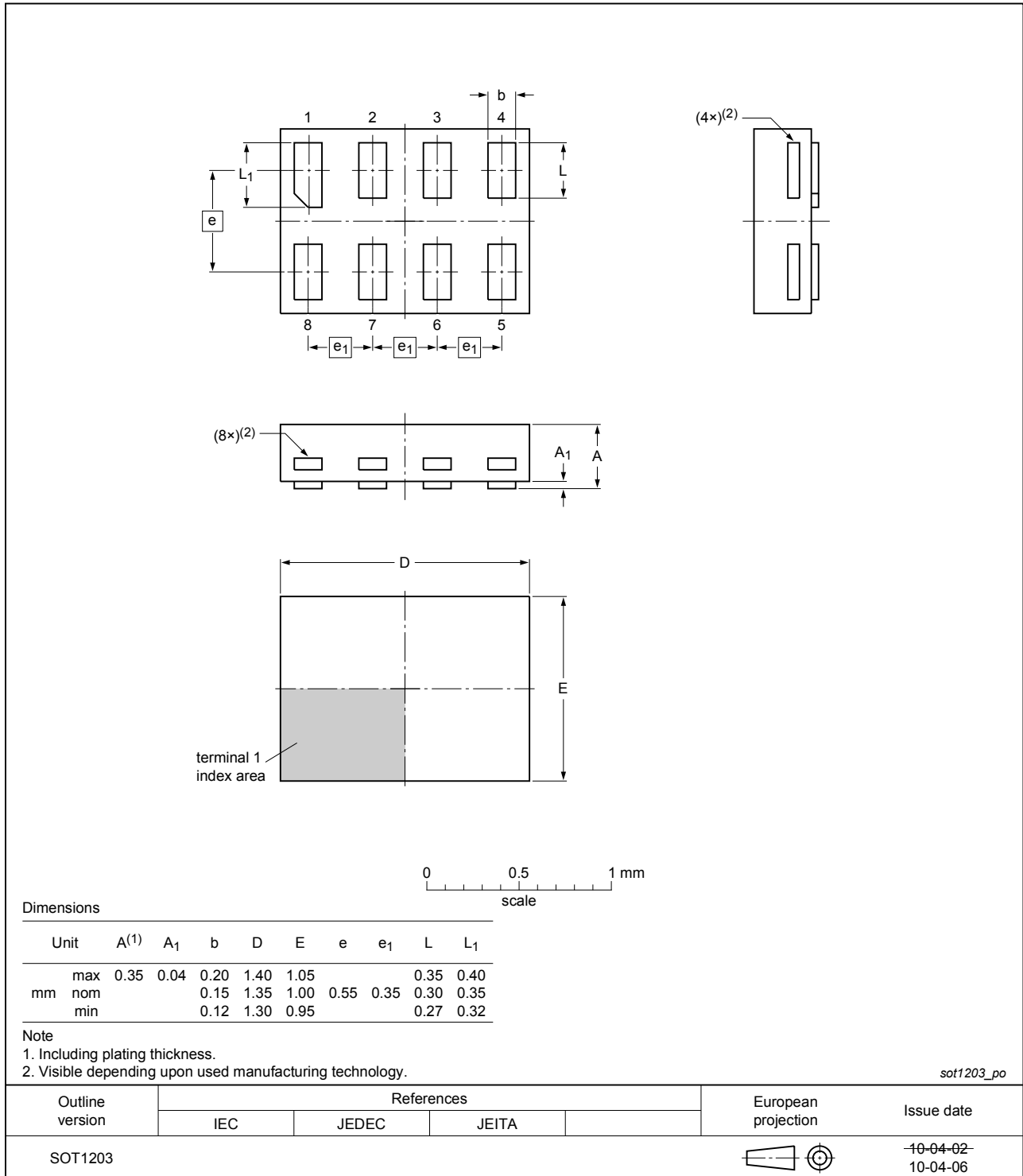


Fig. 16. Package outline SOT1203 (XSON8)

13. Abbreviations

Table 12. Abbreviations

Acronym	Description
CMOS	Complementary Metal-Oxide Semiconductor
DUT	Device Under Test
ESD	ElectroStatic Discharge
HBM	Human Body Model
MM	Machine Model
TTL	Transistor-Transistor Logic

14. Revision history

Table 13. Revision history

Document ID	Release date	Data sheet status	Change notice	Supersedes
74LVC2G74 v.12	20181003	Product data sheet	-	74LVC2G74 v.11
Modifications:	<ul style="list-style-type: none"> The format of this data sheet has been redesigned to comply with the identity guidelines of Nexperia. Legal texts have been adapted to the new company name where appropriate. Type number 74LVC2G74GD (SOT996-2) removed. 			
74LVC2G74 v.11	20161215	Product data sheet	-	74LVC2G74 v.10
Modifications:	<ul style="list-style-type: none"> Table 8: The maximum limits for leakage current and supply current have changed. 			
74LVC2G74 v.10	20130402	Product data sheet	-	74LVC2G74 v.9
Modifications:	<ul style="list-style-type: none"> For type number 74LVC2G74GD XSON8U has changed to XSON8. 			
74LVC2G74 v.9	20120522	Product data sheet	-	74LVC2G74 v.8
Modifications:	<ul style="list-style-type: none"> For type number 74LVC2G74GM the sot code has changed to SOT902-2. 			
74LVC2G74 v.8	20111128	Product data sheet	-	74LVC2G74 v.7
Modifications:	<ul style="list-style-type: none"> Legal pages updated. 			
74LVC2G74 v.7	20101011	Product data sheet	-	74LVC2G74 v.6
74LVC2G74 v.6	20091223	Product data sheet	-	74LVC2G74 v.5
74LVC2G74 v.5	20080630	Product data sheet	-	74LVC2G74 v.4
74LVC2G74 v.4	20080207	Product data sheet	-	74LVC2G74 v.3
74LVC2G74 v.3	20070809	Product data sheet	-	74LVC2G74 v.2
74LVC2G74 v.2	20061214	Product data sheet	-	74LVC2G74 v.1
74LVC2G74 v.1	20051103	Product data sheet	-	-

15. Legal information

Data sheet status

Document status [1][2]	Product status [3]	Definition
Objective [short] data sheet	Development	This document contains data from the objective specification for product development.
Preliminary [short] data sheet	Qualification	This document contains data from the preliminary specification.
Product [short] data sheet	Production	This document contains the product specification.

- [1] Please consult the most recently issued document before initiating or completing a design.
- [2] The term 'short data sheet' is explained in section "Definitions".
- [3] The product status of device(s) described in this document may have changed since this document was published and may differ in case of multiple devices. The latest product status information is available on the internet at <https://www.nexperia.com>.

Definitions

Draft — The document is a draft version only. The content is still under internal review and subject to formal approval, which may result in modifications or additions. Nexperia does not give any representations or warranties as to the accuracy or completeness of information included herein and shall have no liability for the consequences of use of such information.

Short data sheet — A short data sheet is an extract from a full data sheet with the same product type number(s) and title. A short data sheet is intended for quick reference only and should not be relied upon to contain detailed and full information. For detailed and full information see the relevant full data sheet, which is available on request via the local Nexperia sales office. In case of any inconsistency or conflict with the short data sheet, the full data sheet shall prevail.

Product specification — The information and data provided in a Product data sheet shall define the specification of the product as agreed between Nexperia and its customer, unless Nexperia and customer have explicitly agreed otherwise in writing. In no event however, shall an agreement be valid in which the Nexperia product is deemed to offer functions and qualities beyond those described in the Product data sheet.

Disclaimers

Limited warranty and liability — Information in this document is believed to be accurate and reliable. However, Nexperia does not give any representations or warranties, expressed or implied, as to the accuracy or completeness of such information and shall have no liability for the consequences of use of such information. Nexperia takes no responsibility for the content in this document if provided by an information source outside of Nexperia.

In no event shall Nexperia be liable for any indirect, incidental, punitive, special or consequential damages (including - without limitation - lost profits, lost savings, business interruption, costs related to the removal or replacement of any products or rework charges) whether or not such damages are based on tort (including negligence), warranty, breach of contract or any other legal theory.

Notwithstanding any damages that customer might incur for any reason whatsoever, Nexperia's aggregate and cumulative liability towards customer for the products described herein shall be limited in accordance with the Terms and conditions of commercial sale of Nexperia.

Right to make changes — Nexperia reserves the right to make changes to information published in this document, including without limitation specifications and product descriptions, at any time and without notice. This document supersedes and replaces all information supplied prior to the publication hereof.

Suitability for use — Nexperia products are not designed, authorized or warranted to be suitable for use in life support, life-critical or safety-critical systems or equipment, nor in applications where failure or malfunction of an Nexperia product can reasonably be expected to result in personal

injury, death or severe property or environmental damage. Nexperia and its suppliers accept no liability for inclusion and/or use of Nexperia products in such equipment or applications and therefore such inclusion and/or use is at the customer's own risk.

Quick reference data — The Quick reference data is an extract of the product data given in the Limiting values and Characteristics sections of this document, and as such is not complete, exhaustive or legally binding.

Applications — Applications that are described herein for any of these products are for illustrative purposes only. Nexperia makes no representation or warranty that such applications will be suitable for the specified use without further testing or modification.

Customers are responsible for the design and operation of their applications and products using Nexperia products, and Nexperia accepts no liability for any assistance with applications or customer product design. It is customer's sole responsibility to determine whether the Nexperia product is suitable and fit for the customer's applications and products planned, as well as for the planned application and use of customer's third party customer(s). Customers should provide appropriate design and operating safeguards to minimize the risks associated with their applications and products.

Nexperia does not accept any liability related to any default, damage, costs or problem which is based on any weakness or default in the customer's applications or products, or the application or use by customer's third party customer(s). Customer is responsible for doing all necessary testing for the customer's applications and products using Nexperia products in order to avoid a default of the applications and the products or of the application or use by customer's third party customer(s). Nexperia does not accept any liability in this respect.

Limiting values — Stress above one or more limiting values (as defined in the Absolute Maximum Ratings System of IEC 60134) will cause permanent damage to the device. Limiting values are stress ratings only and (proper) operation of the device at these or any other conditions above those given in the Recommended operating conditions section (if present) or the Characteristics sections of this document is not warranted. Constant or repeated exposure to limiting values will permanently and irreversibly affect the quality and reliability of the device.

Terms and conditions of commercial sale — Nexperia products are sold subject to the general terms and conditions of commercial sale, as published at <http://www.nexperia.com/profile/terms>, unless otherwise agreed in a valid written individual agreement. In case an individual agreement is concluded only the terms and conditions of the respective agreement shall apply. Nexperia hereby expressly objects to applying the customer's general terms and conditions with regard to the purchase of Nexperia products by customer.

No offer to sell or license — Nothing in this document may be interpreted or construed as an offer to sell products that is open for acceptance or the grant, conveyance or implication of any license under any copyrights, patents or other industrial or intellectual property rights.

Export control — This document as well as the item(s) described herein may be subject to export control regulations. Export might require a prior authorization from competent authorities.

Non-automotive qualified products — Unless this data sheet expressly states that this specific Nexperia product is automotive qualified, the product is not suitable for automotive use. It is neither qualified nor tested in accordance with automotive testing or application requirements. Nexperia accepts no liability for inclusion and/or use of non-automotive qualified products in automotive equipment or applications.

In the event that customer uses the product for design-in and use in automotive applications to automotive specifications and standards, customer (a) shall use the product without Nexperia's warranty of the product for such automotive applications, use and specifications, and (b) whenever customer uses the product for automotive applications beyond Nexperia's specifications such use shall be solely at customer's own risk, and (c) customer fully indemnifies Nexperia for any liability, damages or failed product claims resulting from customer design and use of the product for automotive applications beyond Nexperia's standard warranty and Nexperia's product specifications.

Translations — A non-English (translated) version of a document is for reference only. The English version shall prevail in case of any discrepancy between the translated and English versions.

Trademarks

Notice: All referenced brands, product names, service names and trademarks are the property of their respective owners.

Contents

1. General description	1
2. Features and benefits	1
3. Ordering information	2
4. Marking	2
5. Functional diagram	2
6. Pinning information	3
6.1. Pinning.....	3
6.2. Pin description.....	4
7. Functional description	4
8. Limiting values	5
9. Recommended operating conditions	5
10. Static characteristics	6
11. Dynamic characteristics	7
11.1. Waveforms and test circuit.....	9
12. Package outline	12
13. Abbreviations	19
14. Revision history	19
15. Legal information	20

© Nexperia B.V. 2018. All rights reserved

For more information, please visit: <http://www.nexperia.com>

For sales office addresses, please send an email to: salesaddresses@nexperia.com

Date of release: 3 October 2018



Компания «ЭлектроПласт» предлагает заключение долгосрочных отношений при поставках импортных электронных компонентов на взаимовыгодных условиях!

Наши преимущества:

- Оперативные поставки широкого спектра электронных компонентов отечественного и импортного производства напрямую от производителей и с крупнейших мировых складов;
- Поставка более 17-ти миллионов наименований электронных компонентов;
- Поставка сложных, дефицитных, либо снятых с производства позиций;
- Оперативные сроки поставки под заказ (от 5 рабочих дней);
- Экспресс доставка в любую точку России;
- Техническая поддержка проекта, помощь в подборе аналогов, поставка прототипов;
- Система менеджмента качества сертифицирована по Международному стандарту ISO 9001;
- Лицензия ФСБ на осуществление работ с использованием сведений, составляющих государственную тайну;
- Поставка специализированных компонентов (Xilinx, Altera, Analog Devices, Intersil, Interpoint, Microsemi, Aeroflex, Peregrine, Syfer, Eurofarad, Texas Instrument, Miteq, Cobham, E2V, MA-COM, Hittite, Mini-Circuits, General Dynamics и др.);

Помимо этого, одним из направлений компании «ЭлектроПласт» является направление «Источники питания». Мы предлагаем Вам помощь Конструкторского отдела:

- Подбор оптимального решения, техническое обоснование при выборе компонента;
- Подбор аналогов;
- Консультации по применению компонента;
- Поставка образцов и прототипов;
- Техническая поддержка проекта;
- Защита от снятия компонента с производства.



Как с нами связаться

Телефон: 8 (812) 309 58 32 (многоканальный)

Факс: 8 (812) 320-02-42

Электронная почта: org@eplast1.ru

Адрес: 198099, г. Санкт-Петербург, ул. Калинина, дом 2, корпус 4, литера А.