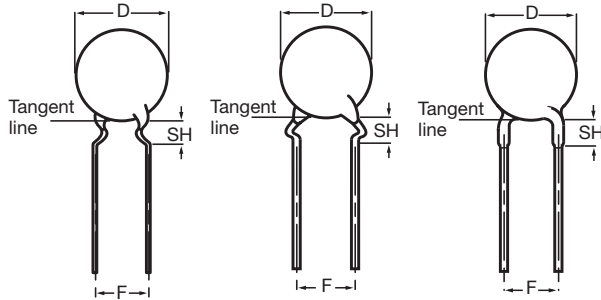


Ceramic Disc Capacitors Class 1 and 2, 1 kV_{DC}, 2 kV_{DC}, 3 kV_{DC} and 6 kV_{DC}, General Purpose



Capacitors with 5 mm (0.20"), 7.5 mm (0.30") and
10 mm (0.40") lead spacing

| QUICK REFERENCE DATA | | |
|----------------------------|------------------------|--------------------------------------|
| DESCRIPTION | CLASS 1 (SL0, S3N) | CLASS 2 (Y5P, X7R, Z5U, Y5V, X5F) |
| Voltage (V _{DC}) | 1000, 2000, 3000, 6000 | |
| Min. Capacitance (pF) | 10 | 100 |
| Max. Capacitance (pF) | 220 | 33 000 |
| Mounting | Through hole | |

MARKING

Straight and kinked leaded versions are gold coloured
Marking indicates capacitance value and tolerance in
accordance with "EIA 198" and voltage:

OPERATING TEMPERATURE RANGE

Class 1 SL0, S3N, - 55 °C to + 125 °C

Class 2, X7R - 55 °C to + 125 °C

Class 2, Y5P, Z5U, Y5V, - 30 °C to + 85 °C

Class 2, X5F - 55 °C to + 85 °C

TEMPERATURE COEFFICIENTS

Class 1 SL0, S3N

Class 2 X7R, Y5P, Z5U, Y5V, X5F

SECTIONAL SPECIFICATIONS

Class 1, IEC 60 384-8,

Class 2, IEC 60 384-9,

EIA 198

CLIMATIC CATEGORY

Class 1, SL0, 55/125/21

Class 2, X7R, 55/125/21

Class 2, Y5P, Z5U, Y5V, 30/85/21

Class 2, X5F, 55/85/21

FEATURES

- Low losses
- High stability
- High capacitance in small size
- Kinked (preferred) or straight leads
- Compliant to RoHS directive 2002/95/EC



RoHS
COMPLIANT

APPLICATIONS

- DC high voltage
- Pulse high voltage
- SMPS
- HV power supply
- HF ballast

DESIGN

The capacitors consist of a ceramic disc both sides of which are silver-plated. Connection leads are made of tinned copper having a diameter of 0.6 mm or 0.8 mm up to 3 kV and 0.8 mm for 6 kV.

The capacitors may be supplied with kinked or straight leads with a lead spacing of 5 mm (0.20"), 7.5 mm (0.30") or 10 mm (0.40") and a lead length from 4 mm to 30 mm. The standard tolerance on capacitance is 5 % or 10 % for class 1 capacitors and ± 10 % or ± 20 % for class 2 capacitors. Encapsulation is made of gold-colored epoxy-resin, flammable resistant in accordance with "UL 94 V-0"

CAPACITANCE RANGE

Class 1, at 1 MHz, 1.2 V_{RMS}; 10 pF to 220 pF

1 kHz, 1 V_{RMS} ± 0.2 V_{RMS} for capacitance values higher than 1000 pF

Class 2, at 1 kHz, 1 V_{RMS} ± 0.2 V_{RMS}; 100 pF to 33 000 pF

RATED DC VOLTAGE

1 kV; 2 kV; 3 kV; 6 kV

DIELECTRIC STRENGTH

200 % of rated voltage

INSULATION RESISTANCE AT 500 V_{DC}

≥ 10 000 MΩ

TOLERANCE ON CAPACITANCE

± 5 %; ± 10 %; ± 20 %; + 80/- 20 %

Other tolerances available on request

DISSIPATION FACTOR

Class 1, C ≤ 30 pF; ≤ 20 x (10/C + 0.7) x 10⁻⁴ max.

Class 1, C > 30 pF; ≤ 0.2 %

Class 2, ≤ 3.0 %

S Series



Vishay BCcomponents

Ceramic Disc Capacitors Class 1 and 2,
1 kV_{DC}, 2 kV_{DC}, 3 kV_{DC} and 6 kV_{DC}, General Purpose

| ORDERING INFORMATION 1 kV _{DC} , STRAIGHT | | | | | | | | |
|--|-------------|---------------------------|----------------------|---------------------------|--|-----|-----|------------------|
| C (pF) | TOL. (%) | D _{MAX.} (mm) | LEAD SPACING (mm) | SH ⁽¹⁾ (mm) | CLEAR TEXT CODE | | | |
| | | | | | 13 TH DIGIT: T = REEL; U = AMMO; 3 = BULK 16 TH DIGIT: R = RoHS COMPLIANT | | | |
| CLASS 1 SLO | | | | | | | | |
| 10 | ± 5 | 6.5 | 5.0 | 4.0 | S100J25SL0N6.J5. | | | |
| | ± 10 | | | | S100K25SL0N6.J5. | | | |
| 12 | ± 5 | | | | S120J25SL0N6.J5. | | | |
| | ± 10 | | | | S120K25SL0N6.J5. | | | |
| 15 | ± 5 | | | | S150J25SL0N6.J5. | | | |
| | ± 10 | | | | S150K25SL0N6.J5. | | | |
| 18 | ± 5 | | | | S180J25SL0N6.J5. | | | |
| | ± 10 | | | | S180K25SL0N6.J5. | | | |
| 22 | ± 5 | | | | S220J25SL0N6.J5. | | | |
| | ± 10 | | | | S220K25SL0N6.J5. | | | |
| 27 | ± 5 | | | | S270J25SL0N6.J5. | | | |
| | ± 10 | | | | S270K25SL0N6.J5. | | | |
| 33 | ± 5 | | | | S330J25SL0N6.J5. | | | |
| | ± 10 | | | | S330K25SL0N6.J5. | | | |
| 39 | ± 5 | | | | S390J25SL0N6.J5. | | | |
| | ± 10 | | | | S390K25SL0N6.J5. | | | |
| 47 | ± 5 | | | | S470J25SL0N6.J5. | | | |
| | ± 10 | | | | S470K25SL0N6.J5. | | | |
| 56 | ± 5 | 7.5 | 5.0 | 4.0 | S560J29SL0N6.J5. | | | |
| | ± 10 | | | | S560K29SL0N6.J5. | | | |
| 68 | ± 5 | | | | S680J29SL0N6.J5. | | | |
| | ± 10 | | | | S680K29SL0N6.J5. | | | |
| 82 | ± 5 | | | | S820J29SL0N6.J5. | | | |
| | ± 10 | | | | S820K29SL0N6.J5. | | | |
| 100 | ± 5 | | | | S101J29SL0N6.J5. | | | |
| | ± 10 | | | | S101K29SL0N6.J5. | | | |
| 120 | ± 5 | | | | S121J33SL0N6.J5. | | | |
| | ± 10 | | | | S121K33SL0N6.J5. | | | |
| 150 | ± 10 | | | | 8.5 | 5.0 | 4.0 | S151K33SL0N6.J5. |
| 220 | | | | | | | | S221K39SL0N6.J5. |
| CLASS 2 X7R | | | | | | | | |
| 100 | ± 10 | 6.5 | 5.0 | 4.0 | S101K25X7RN6.J5. | | | |
| 150 | | | | | S151K25X7RN6.J5. | | | |
| 220 | | | | | S221K25X7RN6.J5. | | | |
| 330 | | | | | S331K25X7RN6.J5. | | | |
| 470 | | | | | S471K29X7RN6.J5. | | | |
| 680 | | | | | S681K29X7RN6.J5. | | | |
| 1000 | | 8.5 | 7.5 | 4.8 | S102K33X7RN6.J5. | | | |
| 1500 | | 10 | | | S152K39X7RN6.J5. | | | |
| 2200 | | 11 | | | S222K43X7RN6.J5. | | | |
| 3 300 | | 12 | S332K47X7RN6.J7. | | | | | |
| 4 700 | | 15 | S472K59X7RN6.J7. | | | | | |
| CLASS 2 Y5P | | | | | | | | |
| 100 | ± 10 | 6.5 | 5.0 | 4.0 | S101K25Y5PN6.J5. | | | |
| 150 | | | | | S151K25Y5PN6.J5. | | | |
| 220 | | | | | S221K25Y5PN6.J5. | | | |
| 330 | | | | | S331K25Y5PN6.J5. | | | |
| 470 | | | | | S471K25Y5PN6.J5. | | | |
| 680 | | | | | S681K29Y5PN6.J5. | | | |
| 1000 | | 7.5 | 8.5 | S102K29Y5PN6.J5. | | | | |
| 1500 | | 8.5 | | S152K33Y5PN6.J5. | | | | |



Ceramic Disc Capacitors Class 1 and 2,
1 kV_{DC}, 2 kV_{DC}, 3 kV_{DC} and 6 kV_{DC}, General Purpose

Vishay BCcomponents

| ORDERING INFORMATION 1 kV_{DC}, STRAIGHT | | | | | |
|---|-------------|---------------------------|----------------------|---------------------------|--|
| C (pF) | TOL. (%) | D _{MAX.} (mm) | LEAD SPACING (mm) | SH ⁽¹⁾ (mm) | CLEAR TEXT CODE |
| | | | | | 13 TH DIGIT: T = REEL; U = AMMO; 3 = BULK 16 TH DIGIT: R = RoHS COMPLIANT |
| CLASS 2 Y5P | | | | | |
| 2200 | ± 10 | 10 | 5.0 | 4.0 | S222K39Y5PN6.J5. |
| 3300 | | 11 | | | S332K43Y5PN6.J5. |
| 4700 | | 13.5 | 7.5 | 4.8 | S472K53Y5PN63J7. |
| 6800 | | 15 | | | S682K59Y5PN63J7. |
| 10 000 | | 19 | | | 10 |
| CLASS 2 Z5U | | | | | |
| 1000 | ± 20 | 6.5 | 5.0 | 4.0 | S102M25Z5UN6.J5. |
| 1500 | | | | | S152M29Z5UN6.J5. |
| 2200 | | | | | S222M29Z5UN6.J5. |
| 3300 | | | | | S332M33Z5UN6.J5. |
| 4700 | | S472M39Z5UN6.J5. | | | |
| 6800 | | 11 | S682M43Z5UN6.J5. | | |
| 10 000 | | 12 | 7.5 | 4.8 | S103M47Z5UN63J7. |
| 15 000 | | 15 | | | S153M59Z5UN63J7. |
| 22 000 | | 19 | | | 10 |
| CLASS 2 Y5V | | | | | |
| 1000 | + 80/- 20 | 6.5 | 5.0 | 4.0 | S102Z25Y5VN6.J5. |
| 1500 | | | | | S152Z25Y5VN6.J5. |
| 2200 | | | | | S222Z29Y5VN6.J5. |
| 3300 | | | | | S332Z29Y5VN6.J5. |
| 4700 | | 7.5 | S472Z33Y5VN6.J5. | | |
| 6800 | | 8.5 | S682Z39Y5VN6.J5. | | |
| 10 000 | | 10 | S103Z43Y5VN6.J5. | | |
| 15 000 | | 11 | S153Z53Y5VN6.J7. | | |
| 22 000 | | 13.5 | 7.5 | 4.8 | S223Z59Y5VN6.J7. |
| 33 000 | | 15 | | | 10 |

| ORDERING INFORMATION 1 kV_{DC}, KINKED | | | | | |
|---|-------------|---------------------------|----------------------|---------------------------|--|
| C (pF) | TOL. (%) | D _{MAX.} (mm) | LEAD SPACING (mm) | SH ⁽²⁾ (mm) | CLEAR TEXT CODE |
| | | | | | 13 TH DIGIT: T = REEL; U = AMMO; 3 = BULK 16 TH DIGIT: R = RoHS COMPLIANT |
| CLASS 2 X5F | | | | | |
| 100 | ± 10 | 6.5 | 5.0 | 4.0 | S101K25X5FN6.J5R |
| 220 | | | | | S221K25X5FN6.J5R |
| 270 | | | | | S271K25X5FN6.J5R |
| 330 | | | | | S331K25X5FN6.J5R |
| 390 | | | | | S391K25X5FN6.J5R |
| 470 | | | | | S471K25X5FN6.J5R |
| 680 | | | | | S681K29X5FN6.J5R |
| 820 | | 7.5 | S821K29X5FN6.J5R | | |
| 1000 | | 11 | S102K29X5FN6.J5R | | |
| 2200 | | 13.5 | 7.5 | 4.8 | S222K43X5FN6.J5R |
| 3300 | | 16 | | | S332K53X5FN6.J7R |
| 4700 | | S472K63X5FN63J7R | | | |

Notes

- ⁽¹⁾ SH = seated height
- Maximum thickness 4.0 mm
- Lead style codes refer to inward kinked leads. Other styles available on request

| ORDERING INFORMATION 2 kV _{DC} , KINKED | | | | | | | | | |
|--|------------------|------------------------|-------------------|------------------------|--|------------------|-----|------------------|------------------|
| C (pF) | TOL. (%) | D _{MAX.} (mm) | LEAD SPACING (mm) | SH ⁽¹⁾ (mm) | CLEAR TEXT CODE | | | | |
| | | | | | 13 TH DIGIT: T = REEL; U = AMMO; 3 = BULK 16 TH DIGIT: R = RoHS COMPLIANT | | | | |
| CLASS 1 SLO | | | | | | | | | |
| 10 | ± 5 | 6.5 | 5.0 | 4.0 | S100J25SLOP6.K5. | | | | |
| | ± 10 | | | | S100K25SLOP6.K5. | | | | |
| 12 | ± 5 | | | | S120J25SLOP6.K5. | | | | |
| | ± 10 | | | | S120K25SLOP6.K5. | | | | |
| 15 | ± 5 | | | | S150J25SLOP6.K5. | | | | |
| | ± 10 | | | | S150K25SLOP6.K5. | | | | |
| 18 | ± 5 | | | | S180J25SLOP6.K5. | | | | |
| | ± 10 | | | | S180K25SLOP6.K5. | | | | |
| 22 | ± 5 | | | | S220J25SLOP6.K5. | | | | |
| | ± 10 | | | | S220K25SLOP6.K5. | | | | |
| 27 | ± 5 | | | | S270J25SLOP6.K5. | | | | |
| | ± 10 | | | | S270K25SLOP6.K5. | | | | |
| 33 | ± 5 | 7.5 | 5.0 | 4.0 | S330J29SLOP6.K5. | | | | |
| | ± 10 | | | | S330K29SLOP6.K5. | | | | |
| 39 | ± 5 | | | | S390J29SLOP6.K5. | | | | |
| | ± 10 | | | | S390K29SLOP6.K5. | | | | |
| 47 | ± 5 | | | | S470J29SLOP6.K5. | | | | |
| | ± 10 | | | | S470K29SLOP6.K5. | | | | |
| 56 | ± 5 | | | | S560J29SLOP6.K5. | | | | |
| | ± 10 | | | | S560K29SLOP6.K5. | | | | |
| 68 | ± 5 | | | | 8.5 | 5.0 | 4.0 | S680J33SLOP6.K5. | |
| | ± 10 | | | | | | | S680K33SLOP6.K5. | |
| 82 | ± 5 | | | | | | | S820J33SLOP6.K5. | |
| | ± 10 | | | | | | | S820K33SLOP6.K5. | |
| 100 | ± 5 | 10 | 5.0 | 4.0 | | | | S101J39SLOP6.K5. | |
| | ± 10 | | | | | | | S101K39SLOP6.K5. | |
| 120 | ± 5 | | | | S121J39SLOP6.K5. | | | | |
| | ± 10 | | | | S121K39SLOP6.K5. | | | | |
| 150 | ± 5 | | | | 11 | 5.0 | 4.0 | S151K43SLOP6.K5. | |
| | ± 10 | | | | | | | | |
| CLASS 2 X7R | | | | | | | | | |
| 100 | ± 10 | 6.5 | 5.0 | 4.0 | S101K25X7RP6.K5. | | | | |
| 150 | | | | | S151K25X7RP6.K5. | | | | |
| 220 | | | | | S221K25X7RP6.K5. | | | | |
| 330 | | | | | S331K25X7RP6.K5. | | | | |
| 470 | | | | | S471K29X7RP6.K5. | | | | |
| 680 | | | | | S681K33X7RP6.K5. | | | | |
| 1000 | | 7.5 | 5.0 | 4.0 | S102K39X7RP6.K5. | | | | |
| 1500 | | | | | S152K43X7RP6.K5. | | | | |
| 2200 | | | | | 13.5 | 7.5 | 4.8 | S222K53X7RP6.K7. | |
| 3300 | | | | | | | | S332K59X7RP6.K7. | |
| CLASS 2 Y5P | | | | | | | | | |
| 100 | | | | | ± 10 | 6.5 | 5.0 | 4.0 | S101K25Y5PP6.K5. |
| 150 | S151K25Y5PP6.K5. | | | | | | | | |
| 220 | S221K25Y5PP6.K5. | | | | | | | | |
| 330 | S331K25Y5PP6.K5. | | | | | | | | |
| 470 | S471K29Y5PP6.K5. | | | | | | | | |
| 680 | S681K29Y5PP6.K5. | | | | | | | | |
| 1000 | 7.5 | 5.0 | 4.0 | S102K33Y5PP6.K5. | | | | | |
| 1500 | | | | S152K39Y5PP6.K5. | | | | | |
| 2200 | | | | 11 | | 7.5 | 4.8 | S222K43Y5PP6.K5. | |
| 3300 | | | | | | | | S332K53Y5PP63K7. | |
| 4700 | | | | 17.5 | | S472K69Y5PP63K7. | | | |



Ceramic Disc Capacitors Class 1 and 2,
1 kV_{DC}, 2 kV_{DC}, 3 kV_{DC} and 6 kV_{DC}, General Purpose

Vishay BCcomponents

| ORDERING INFORMATION 2 kV_{DC}, KINKED | | | | | |
|---|-----------|------------------------|-------------------|------------------------|--|
| C (pF) | TOL. (%) | D _{MAX.} (mm) | LEAD SPACING (mm) | SH ⁽¹⁾ (mm) | CLEAR TEXT CODE |
| | | | | | 13 TH DIGIT: T = REEL; U = AMMO; 3 = BULK 16 TH DIGIT: R = RoHS COMPLIANT |
| CLASS 2 Z5U | | | | | |
| 1000 | ± 20 | 7.5 | 5.0 | 4.0 | S102M29Z5UP6.K5. |
| 1500 | | | | | S152M29Z5UP6.K5. |
| 2200 | | | | | S222M33Z5UP6.K5. |
| 3300 | | 11 | 7.5 | 4.8 | S332M43Z5UP6.K5. |
| 4700 | | 12 | | | S472M47Z5UP63K7. |
| 6800 | | 13.5 | | | S682M53Z5UP63K7. |
| 10 000 | | 17.5 | | | S103M69Z5UP63K7. |
| CLASS 2 Y5V | | | | | |
| 1000 | + 80/- 20 | 7.5 | 5.0 | 4.0 | S102Z29Y5VP6.K5. |
| 1500 | | | | | S152Z29Y5VP6.K5. |
| 2200 | | | | | S222Z33Y5VP6.K5. |
| 3300 | | 10.5 | 7.5 | 4.8 | S322Z39Y5VP6.K5. |
| 4700 | | 11 | | | S472Z43Y5VP6.K5. |
| 6800 | | 12 | | | S682Z47Y5VP6.K7. |
| 10 000 | | 15 | | | S103Z59Y5VP6.K7. |
| CLASS 2 X5F | | | | | |
| 1 00 | ± 10 | 6.5 | 5.0 | 4.0 | S101K25X5FP6.K5R |
| 220 | | | | | S221K25X5FP6.K5R |
| 330 | | | | | 7.5 |
| 470 | | 8 | 7.5 | 4.8 | S471K31X5FP6.K5R |
| 680 | | 10 | | | S681K39X5FP6.K5R |
| 1000 | | 11 | | | S102K43X5FP6.K5R |
| 2200 | | 15 | | | S222K59X5FP6.K7R |
| 3300 | 16.5 | S332K65X5FP63K7R | | | |

Notes

- ⁽¹⁾ SH = seated height
- Maximum thickness 4.0 mm
- Lead style codes refer to inward kinked leads. Other styles available on request

| ORDERING INFORMATION CLASS 3 kV_{DC}, KINKED | | | | | |
|---|----------|------------------------|-------------------|------------------------|--|
| C (pF) | TOL. (%) | D _{MAX.} (mm) | LEAD SPACING (mm) | SH ⁽¹⁾ (mm) | CLEAR TEXT CODE |
| | | | | | 13 TH DIGIT: T = REEL; U = AMMO; 3 = BULK 16 TH DIGIT: R = RoHS COMPLIANT |
| CLASS 1 SL | | | | | |
| 10 | ± 10 | 8.5 | 7.5 | 4.0 | S100K33SL0R63K7. |
| 15 | | | | | S150K33SL0R63K7. |
| 22 | | | | | S220K33SL0R63K7. |
| 33 | | | | | S330K33SL0R63K7. |
| 47 | | | | | S470K33SL0R63K7. |
| 68 | 10 | S680K39SL0R63K7. | | | |
| CLASS 2 X7R | | | | | |
| 100 | ± 10 | 8.5 | 7.5 | 4.0 | S101K33X7RR63K7. |
| 150 | | | | | S151K33X7RR63K7. |
| 220 | | | | | S221K33X7RR63K7. |
| 330 | | | | | S331K33X7RR63K7. |
| 470 | | | | | S471K33X7RR63K7. |
| 680 | | 10 | 4.8 | S681K39X7RR63K7. | |
| 1000 | | 11 | | S102K43X7RR63K7. | |
| 1500 | 13.5 | S152K53X7RR63K7. | | | |
| 2200 | 17.5 | S222K59X7RR83K7. | | | |

| ORDERING INFORMATION CLASS 3 kV _{DC} , KINKED | | | | | |
|--|-----------|------------------------|-------------------|------------------------|--|
| C (pF) | TOL. (%) | D _{MAX.} (mm) | LEAD SPACING (mm) | SH ⁽¹⁾ (mm) | CLEAR TEXT CODE |
| | | | | | 13 TH DIGIT: T = REEL; U = AMMO; 3 = BULK 16 TH DIGIT: R = RoHS COMPLIANT |
| CLASS 2 Y5P | | | | | |
| 100 | ± 10 | 8.5 | 7.5 | 4.0 | S101K33Y5PR63K7. |
| 150 | | | | | S151K33Y5PR63K7. |
| 220 | | | | | S221K33Y5PR63K7. |
| 330 | | | | | S331K33Y5PR63K7. |
| 470 | | | | | S471K33Y5PR63K7. |
| 680 | | | | | S681K39Y5PR63K7. |
| 1000 | | 10 | 4.8 | S102K43Y5PR63K7. | |
| 1500 | | 11 | | S152K47Y5PR63K7. | |
| 2200 | | 12 | | S222K59Y5PR63K7. | |
| 3 300 | | 15 | | S332K75Y5PR83K0. | |
| 3 300 | 19 | 10 | | | |
| CLASS 2 Z5U | | | | | |
| 470 | ± 20 | 8.5 | 7.5 | 4.0 | S471M33Z5UR63K7. |
| 680 | | | | | S681M33Z5UR63K7. |
| 1000 | | | | | S102M33Z5UR63K7. |
| 1500 | | 10 | 4.8 | S152M39Z5UR63K7. | |
| 2200 | | 11 | | S222M43Z5UR63K7. | |
| 3300 | | 13.5 | | S332M53Z5UR63K7. | |
| 4700 | 17.5 | | S472M69Z5UR83K7. | | |
| CLASS 2 Y5V | | | | | |
| 1000 | + 80/- 20 | 8.5 | 7.5 | 4.0 | S102Z33Y5VR63K7. |
| 1500 | | | | | S152Z33Y5VR63K7. |
| 2200 | | | | | S222Z39Y5VR63K7. |
| 3300 | | 10 | 4.8 | S322Z43Y5VR63K7. | |
| 4700 | | 11 | | S472Z47Y5VR63K7. | |
| 6800 | | 12 | | S682Z59Y5VR63K7. | |
| 6800 | 15 | | | | |

Notes

- ⁽¹⁾ SH = seated height
- Maximum thickness 4.0 mm
- Lead style codes refer to inward kinked leads. Other styles available on request

| ORDERING INFORMATION CLASS 6 kV _{DC} , KINKED | | | | | |
|--|----------|------------------------|-------------------|------------------------|--|
| C (pF) | TOL. (%) | D _{MAX.} (mm) | LEAD SPACING (mm) | SH ⁽¹⁾ (mm) | CLEAR TEXT CODE |
| | | | | | 13 TH DIGIT: T = REEL; U = AMMO; 3 = BULK 16 TH DIGIT: R = RoHS COMPLIANT |
| CLASS 1 SL | | | | | |
| 10 | ± 20 | 10 | 10 | 3.0 | S100M39SL0U83L0. |
| 15 | | | | | S150M43SL0U83L0. |
| 22 | | | | | S220M43SL0U83L0. |
| 33 | | 13.5 | | | S330M53SL0U83L0. |
| CLASS 1 S3N | | | | | |
| 47 | ± 20 | 11 | 10 | 3.0 | S470M43S3NU83L0. |
| 68 | | 13.5 | | | S680M53S3NU83L0. |
| 100 | | 15 | | | S101M59S3NU83L0. |
| 150 | | 15 | | | S151M59S3NU83L0. |
| CLASS 2 Z5U | | | | | |
| 220 | ± 20 | 10 | 10 | 3.0 | S221M39Z5UU83L0. |
| 330 | | 11 | | | S331M43Z5UU83L0. |
| 470 | | 12 | | | S471M47Z5UU83L0. |

| ORDERING INFORMATION CLASS 6 kV _{DC} , KINKED | | | | | |
|--|----------|------------------------|-------------------|------------------------|---|
| C (pF) | TOL. (%) | D _{MAX.} (mm) | LEAD SPACING (mm) | SH ⁽¹⁾ (mm) | CLEAR TEXT CODE |
| | | | | | 13 TH DIGIT: T = REEL; U = AMMO; 3 = BULK |
| | | | | | 16 TH DIGIT: R = RoHS COMPLIANT |
| CLASS 2 Z5U | | | | | |
| 680 | ± 20 | 13.5 | 10 | 3.0 | S681M53Z5UU83L0. |
| 1000 | | 15 | | | S102M59Z5UU83L0. |
| 1500 | | 17.5 | | | S152M69Z5UU83L0. |
| 2200 | | 19 | | | S222M75Z5UU83L0. |

Notes

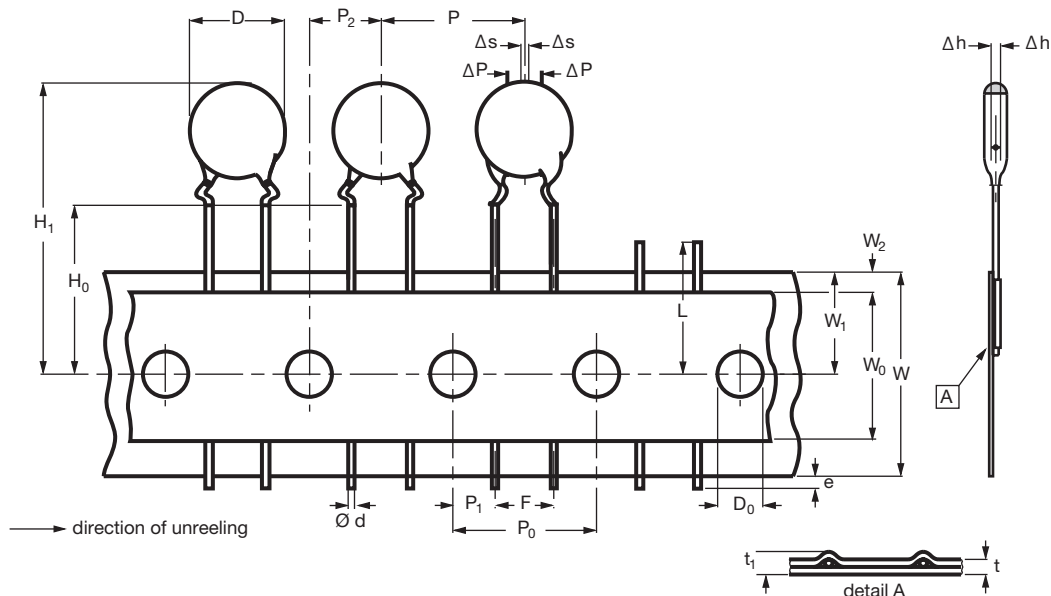
⁽¹⁾ SH = seated height

- Maximum thickness 4.0 mm
- Lead style codes refer to inward kinked leads. Other styles available on request

| PACKAGING | | | | | |
|---------------------------------|-----------|-----------------|----------------------------|------|-------------------------------|
| PACKAGING TYPE | SIZE CODE | LEAD SPACE (mm) | VOLTAGE (V _{DC}) | SPQ | BOX DIMENSIONS L x W x H (mm) |
| Bulk (long lead L ≥ 25.4 mm) | 20 to 47 | all | all | 1000 | 245 x 120 x 65 |
| | | | | 1000 | |
| | 53 to 75 | | | 1000 | |
| | 84 to 96 | | | 500 | |
| Tape and reel | ≤ 47 | ≤ 6.40 | < 500 | 2500 | 370 x 370 x 60 |
| | | | 500 ≤ WV ≤ 2000 | 2000 | |
| | | ≥ 7.5 | 3000 | 1000 | |
| | | | all | 1000 | |
| Ammopack | ≤ 47 | ≤ 6.40 | < 500 | 2000 | 335 x 240 x 50 |
| | | | 500 ≤ WV < 2000 | 1500 | 335 x 290 x 50 |
| | | ≥ 7.5 | 2000 and 3000 | 1500 | 360 x 330 x 55 |
| | | | all | 1500 | |

Note

- The capacitors are supplied in bulk packaging (cardboard boxes), in tape on reel or in ammopack



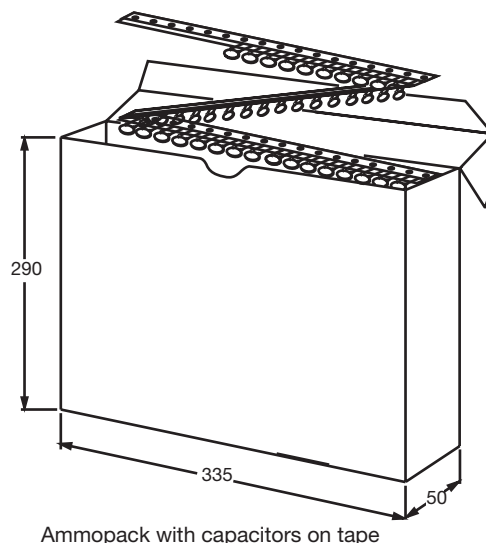
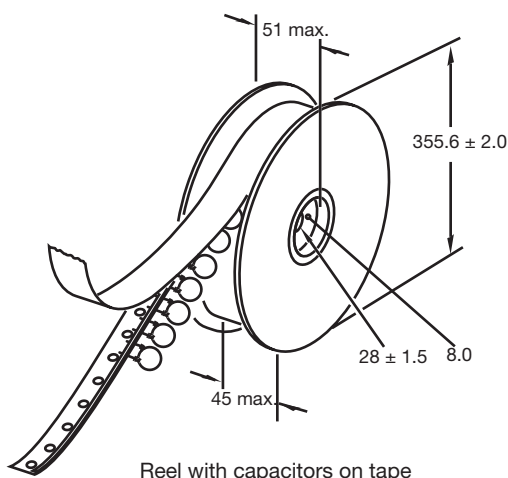
| DIMENSIONS OF TAPE | | | |
|-------------------------------|--------------------------------------|-----------------|---------------|
| SYMBOL | PARAMETER | DIMENSIONS (mm) | |
| | | NOMINAL | TOLERANCE |
| D | Body diameter | 11.0 maximum | - |
| d | Lead diameter | 0.6 | ± 0.05 |
| P | Pitch between capacitors | 12.7 | ± 1.0 |
| P ₀ ⁽¹⁾ | Feed-hole pitch | 12.7 | ± 0.3 |
| ΔP | Plane deviation | 1.0 maximum | - |
| P ₁ ⁽²⁾ | Feed-hole center to lead center | 3.85 | ± 0.7 |
| P ₂ ⁽²⁾ | Feed-hole center to component center | 6.35 | ± 1.3 |
| F | Lead spacing | 5.0 | 0.6 - 0.4 |
| Δh | Component alignment | 0 | ± 1.0 |
| W | Tape width | 18.0 | 1.0 - 0.5 |
| W ₀ | Hold-down tape width | 5.0 minimum | - |
| W ₁ | Hole position | 9.0 | 0.75 - 0.5 |
| W ₂ | Hold-down tape margin | 3.0 maximum | - |
| H ₀ | Height to seating plane | 16.0 | ± 0.5 |
| H ₁ | Maximum component height | 32.0 | - |
| e | Lead end protrusion | 1.0 maximum | - |
| L | Maximum length of snapped lead | 11.0 | - |
| D ₀ | Feed-hole diameter | 4.0 | ± 0.2 |
| t | Total tape thickness | 0.9 maximum | - |
| t ₁ | Maximum thickness of tape and wires | 1.5 maximum | - |

Notes

(1) Cumulative pitch error: $\pm \leq 1 \text{ mm}/20 \text{ pitches}$

(2) Obliquity maximum 3°

REEL AND TAPE DATA in millimeters





Disclaimer

ALL PRODUCT, PRODUCT SPECIFICATIONS AND DATA ARE SUBJECT TO CHANGE WITHOUT NOTICE TO IMPROVE RELIABILITY, FUNCTION OR DESIGN OR OTHERWISE.

Vishay Intertechnology, Inc., its affiliates, agents, and employees, and all persons acting on its or their behalf (collectively, "Vishay"), disclaim any and all liability for any errors, inaccuracies or incompleteness contained in any datasheet or in any other disclosure relating to any product.

Vishay makes no warranty, representation or guarantee regarding the suitability of the products for any particular purpose or the continuing production of any product. To the maximum extent permitted by applicable law, Vishay disclaims (i) any and all liability arising out of the application or use of any product, (ii) any and all liability, including without limitation special, consequential or incidental damages, and (iii) any and all implied warranties, including warranties of fitness for particular purpose, non-infringement and merchantability.

Statements regarding the suitability of products for certain types of applications are based on Vishay's knowledge of typical requirements that are often placed on Vishay products in generic applications. Such statements are not binding statements about the suitability of products for a particular application. It is the customer's responsibility to validate that a particular product with the properties described in the product specification is suitable for use in a particular application. Parameters provided in datasheets and/or specifications may vary in different applications and performance may vary over time. All operating parameters, including typical parameters, must be validated for each customer application by the customer's technical experts. Product specifications do not expand or otherwise modify Vishay's terms and conditions of purchase, including but not limited to the warranty expressed therein.

Except as expressly indicated in writing, Vishay products are not designed for use in medical, life-saving, or life-sustaining applications or for any other application in which the failure of the Vishay product could result in personal injury or death. Customers using or selling Vishay products not expressly indicated for use in such applications do so at their own risk. Please contact authorized Vishay personnel to obtain written terms and conditions regarding products designed for such applications.

No license, express or implied, by estoppel or otherwise, to any intellectual property rights is granted by this document or by any conduct of Vishay. Product names and markings noted herein may be trademarks of their respective owners.

Material Category Policy

Vishay Intertechnology, Inc. hereby certifies that all its products that are identified as RoHS-Compliant fulfill the definitions and restrictions defined under Directive 2011/65/EU of The European Parliament and of the Council of June 8, 2011 on the restriction of the use of certain hazardous substances in electrical and electronic equipment (EEE) - recast, unless otherwise specified as non-compliant.

Please note that some Vishay documentation may still make reference to RoHS Directive 2002/95/EC. We confirm that all the products identified as being compliant to Directive 2002/95/EC conform to Directive 2011/65/EU.

Vishay Intertechnology, Inc. hereby certifies that all its products that are identified as Halogen-Free follow Halogen-Free requirements as per JEDEC JS709A standards. Please note that some Vishay documentation may still make reference to the IEC 61249-2-21 definition. We confirm that all the products identified as being compliant to IEC 61249-2-21 conform to JEDEC JS709A standards.



Компания «ЭлектроПласт» предлагает заключение долгосрочных отношений при поставках импортных электронных компонентов на взаимовыгодных условиях!

Наши преимущества:

- Оперативные поставки широкого спектра электронных компонентов отечественного и импортного производства напрямую от производителей и с крупнейших мировых складов;
- Поставка более 17-ти миллионов наименований электронных компонентов;
- Поставка сложных, дефицитных, либо снятых с производства позиций;
- Оперативные сроки поставки под заказ (от 5 рабочих дней);
- Экспресс доставка в любую точку России;
- Техническая поддержка проекта, помощь в подборе аналогов, поставка прототипов;
- Система менеджмента качества сертифицирована по Международному стандарту ISO 9001;
- Лицензия ФСБ на осуществление работ с использованием сведений, составляющих государственную тайну;
- Поставка специализированных компонентов (Xilinx, Altera, Analog Devices, Intersil, Interpoint, Microsemi, Aeroflex, Peregrine, Syfer, Eurofarad, Texas Instrument, Miteq, Cobham, E2V, MA-COM, Hittite, Mini-Circuits, General Dynamics и др.);

Помимо этого, одним из направлений компании «ЭлектроПласт» является направление «Источники питания». Мы предлагаем Вам помощь Конструкторского отдела:

- Подбор оптимального решения, техническое обоснование при выборе компонента;
- Подбор аналогов;
- Консультации по применению компонента;
- Поставка образцов и прототипов;
- Техническая поддержка проекта;
- Защита от снятия компонента с производства.



Как с нами связаться

Телефон: 8 (812) 309 58 32 (многоканальный)

Факс: 8 (812) 320-02-42

Электронная почта: org@eplast1.ru

Адрес: 198099, г. Санкт-Петербург, ул. Калинина, дом 2, корпус 4, литера А.