

## Description

One and two pole thermal-magnetic circuit breaker in compact design with slide actuator, trip-free mechanism, various trip characteristics and optional auxiliary contacts.

Meets the requirements of the circuit breaker standard EN 60934 (IEC 60934): S-type, TM.

## Typical applications

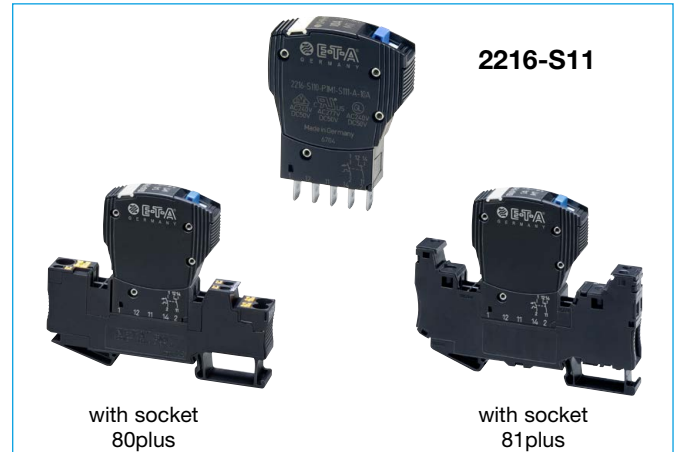
Protection of AC and DC control circuits in industrial automation applications and buildings, e.g. in the chemical industry, power plants, steel industry and machine construction (machine tools, packing machines etc.)

## Ordering information

<b>Type no.</b>	2216 thermal-magnetic circuit breaker
<b>Mounting method</b>	S1 plug-in mounting
<b>Number of poles</b>	1 1-pole 2 2-pole
<b>Additional function / accessories</b>	0 without
<b>Main terminals</b>	P1 blade terminals A6.3 x 0.8 with polarising tooth (standard)
<b>Characteristic curve</b>	F1 therm. 1.01-1.4 x I <sub>N</sub> ; magn. 2-4 x I <sub>N</sub> (only for DC) F2 therm. 1.01-1.4 x I <sub>N</sub> ; magn. 3-6 x I <sub>N</sub> AC / 4-8 I <sub>N</sub> DC M1 therm. 1.01-1.4 x I <sub>N</sub> ; magn. 6-12 x I <sub>N</sub> AC / 8-15 I <sub>N</sub> DC
<b>Auxiliary contacts</b>	S0 without auxiliary contact S1 with auxiliary contact
<b>Auxiliary contact function</b>	0 without 1 change-over
<b>Auxiliary contact terminals</b>	0 without 1 blade terminals A6.3 x 0.8 with polarising tooth (standard)
<b>Voltage rating</b>	A ≤ AC 277 V, ≤ DC 80 V
<b>Current ratings</b>	0.5...16 A
<b>2216 - S1 1 0 - P1 F1 - S1 1 1 - A-16A Ordering example</b>	

## Standard current ratings and typical internal resistance values

Current rating (A)	Internal resistance (Ω)	Current rating (A)	Internal resistance (Ω)
0.5	5.0	6	0.05
1	1.1	8	≤ 0.02
2	0.3	10	≤ 0.02
3	0.14	12	≤ 0.02
4	0.09	15	≤ 0.02
5	0.06	16	≤ 0.02



## Technical data

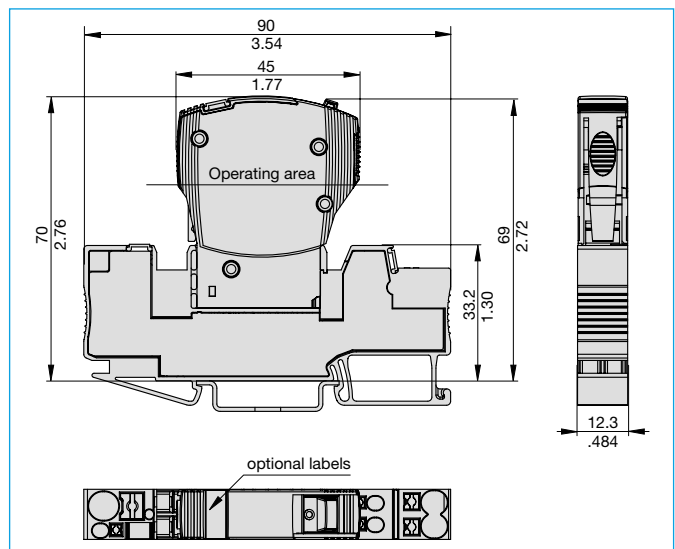
Voltage rating	AC 240 V (50/60 Hz); DC 50 V (1-pole) DC 80 V (2-pole)
Current rating range	0.5...16 A
Auxiliary circuit	AC 240 V, 0.5 A (VDE) AC 277 V, 0.5 A (UL) DC 50 V, 1 A (VDE/UL)
Typical life	6,000 operations at 1 x I <sub>N</sub> 3,000 operations at 1 x I <sub>N</sub> DC 80 V, 2-pole
Ambient temperature	-30...60 °C
Insulation co-ordination (IEC 60664)	2.5 kV/2 re-inforced insulation in operating area
Dielectric strength	operating area main/aux. circuit test voltage AC 3,000 V test voltage AC 1,500 V
Open aux. circuit	AC 1,000 V
Insulation resistance	> 100 MΩ (DC 500 V)
Interrupting capacity I <sub>cn</sub>	AC 240 V 1-pole 300 A DC 32 V 1-pole 1500 A DC 50 V 1-pole 600 A AC 240 V 2-pole 400 A DC 32 V 2-pole 1500 A DC 80 V 2-pole 600 A
Interrupting capacity (UL 1077)	AC 277 V 1,000 A DC 50 V 1-pole 1,000 A DC 80 V 2-pole 1,000 A
Degree of protection (IEC 60529)	operating area IP30 terminal area IP00
Vibration	curve F1: 5 g (57-500 Hz), ± 0.38 mm (10-57 Hz); curves F2, M1: 8 g (57-500 Hz) ± 0.61 mm (10-57 Hz) test to IEC 60068-2-6, test Fc, 10 frequency cycles per axis
Shock	curve F1: 15 g (11 ms) for shock direction 1-6 curves F2, M1: 30 g (11 ms) for shock direction 1-6 test to IEC 60068-2-27, test Ea
Corrosion	96 hrs in 5 % salt mist, test to IEC 60068-2-11, test Ka
Humidity	240 hrs in 95 % RH, test to IEC 60068-2-78, test Cab
Mass	approx. 25 g (per pole with aux. contact)

## Approvals

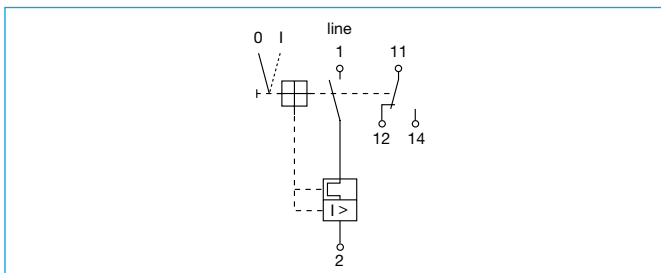
Authority	Standard	Voltage ratings	Current ratings
CSA	C22.2 No. 235	AC 277 V DC 50 V DC 80 V	0.1...16 A (1-, 2-pole) 0.1...16 A (1-pole) 0.1...16 A (2-pole)
VDE	IEC / EN 60934	AC 240 V DC 50 V DC 80 V	0.1...16 A (1-, 2-pole) 0.1...16 A (1-pole) 0.1...16 A (2-pole)
UL	UL 1077 C22.2 No 235	AC 277 V DC 50 V DC 80 V	0.1...16 A (1-, 2-pole) 0.1...16 A (1-pole) 0.1...16 A (2-pole)
GL	IEC / EN 60934	AC 240 V DC 50 V DC 80 V	0.1...16 A (1-, 2-pole) 0.1...16 A (1-pole) 0.1...16 A (2-pole)
UL *)	UL 60947-4-1A C22.2 No 60947-4-1	AC 277 V DC 50 V DC 80 V	0.1...10 A (1-, 2-pole) 0.1...16 A (1-pole) 0.1...10 A (2-pole)

\*) cULus (listed) using with socket 80PLUS or socket 81PLUS

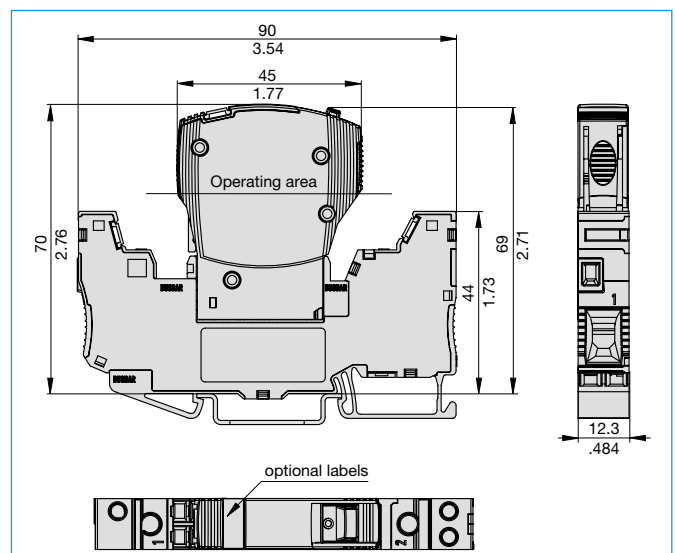
## Dimensions 2216-S11 with socket 80plus



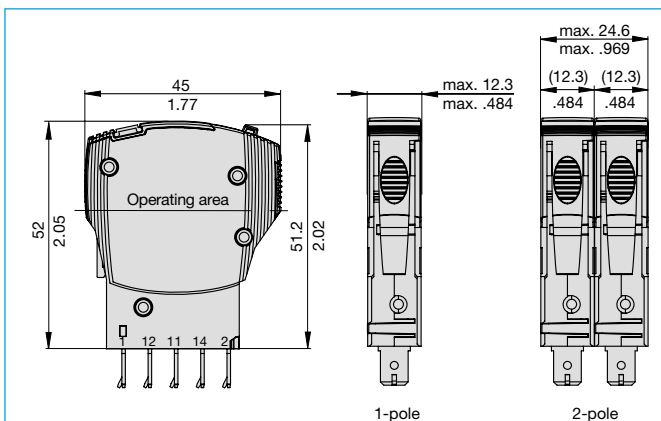
## Schematic diagram



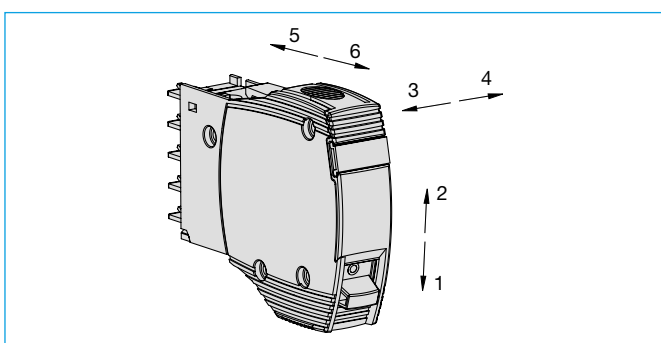
## Dimensions 2216-S11 with socket 81plus



## Dimensions 2216-S1

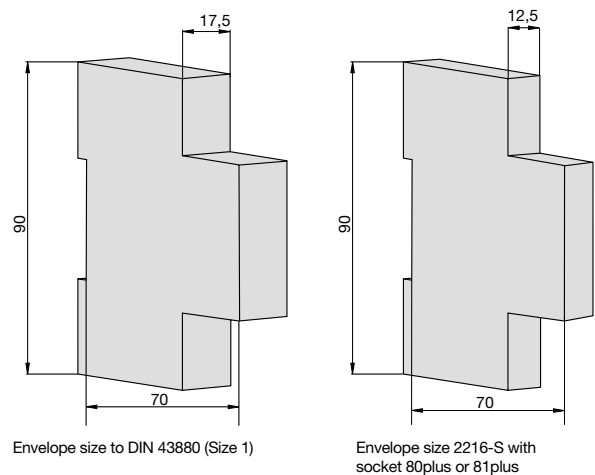


## Shock directions

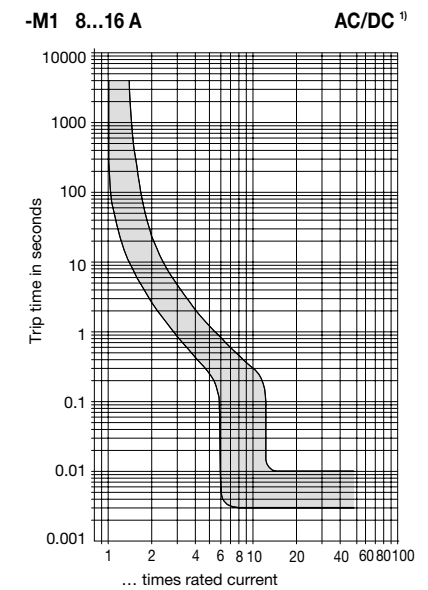
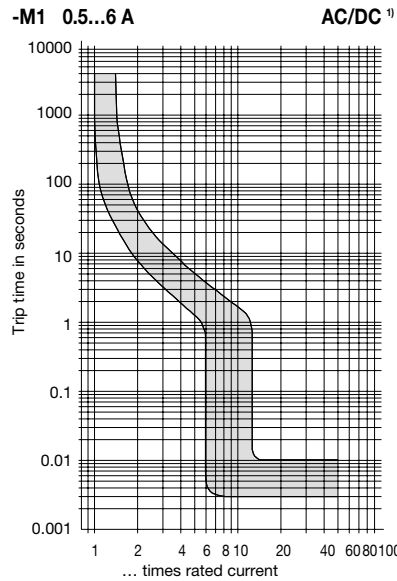
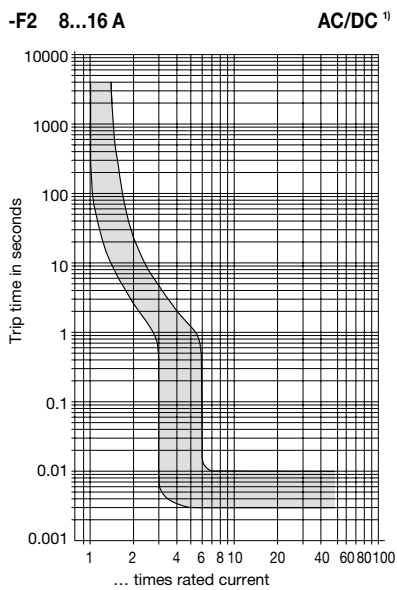
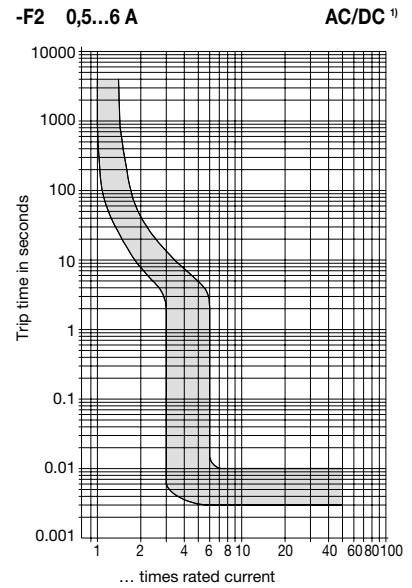
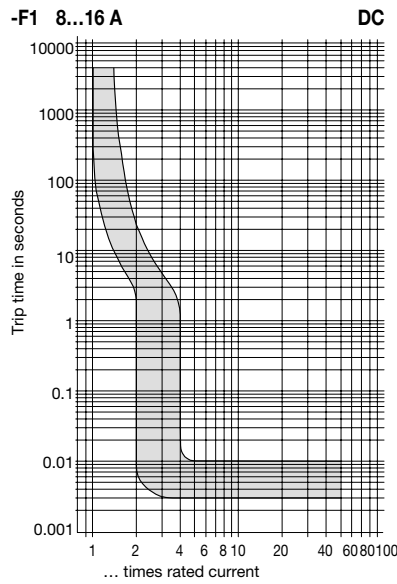
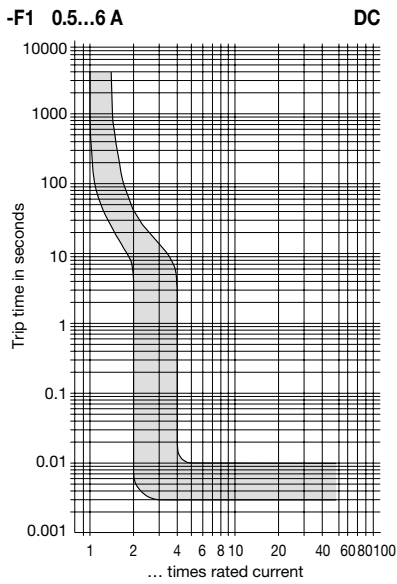


## Envelope size to DIN 43880

The envelope size of type 2216-S with socket 80plus or 81plus complies with the requirements of DIN 43880 (built-in equipment for electrical installation).



Time/current characteristics



<sup>1)</sup> Magnetic tripping currents are or the curves M1 and F2 are increased by 30 % on DC supplies.

When mounted side-by-side, the breakers can only carry up to 80 % of their rated or a higher rating should be selected (please also see Technical Information).

The time current characteristic curve depends on the ambient temperature. In order to eliminate nuisance tripping, please multiply the circuit breaker current ratings by the derating factor shown below (please also see Technical Information).

Ambient temperature °C	-30	-20	-10	0	10	23	30	40	50	60
Derating factor	0.76	0.79	0.83	0.88	0.93	1	1.04	1.12	1.22	1.35

**Caution:** High inrush peaks of < 0.003 sec. may trip the breaker.

This is a metric design and millimeter dimensions take precedence ( $\frac{\text{mm}}{\text{inch}}$ )

All dimensions without tolerances are for reference only. In the interest of improved design, performance and cost effectiveness the right to make changes in these specifications without notice is reserved. Product markings may not be exactly as the ordering codes. Errors and omissions excepted.

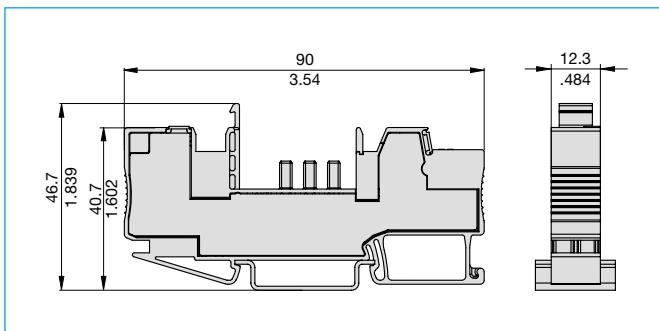
## Description

Single pole, with PT connection technology, to accommodate 1- or 2-pole circuit breakers type 2216-S

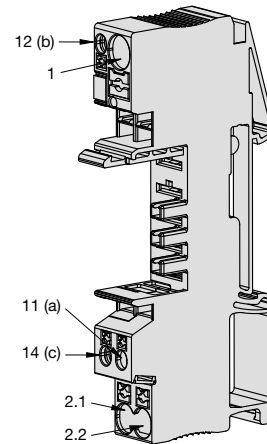
**Part number: 80PLUS-PT01**

- Push-in design: push the stripped wire (cross section  $\geq 0.25 \text{ mm}^2$ , rigid or with wire end ferrule) into the round hole of the terminal without using a tool
- For smaller cable cross sections or flexible wires without wire end ferrule you have to push in the orange push button to open the spring.
- For release push in the orange push button with a screw driver.

## Dimensions



## Line connection

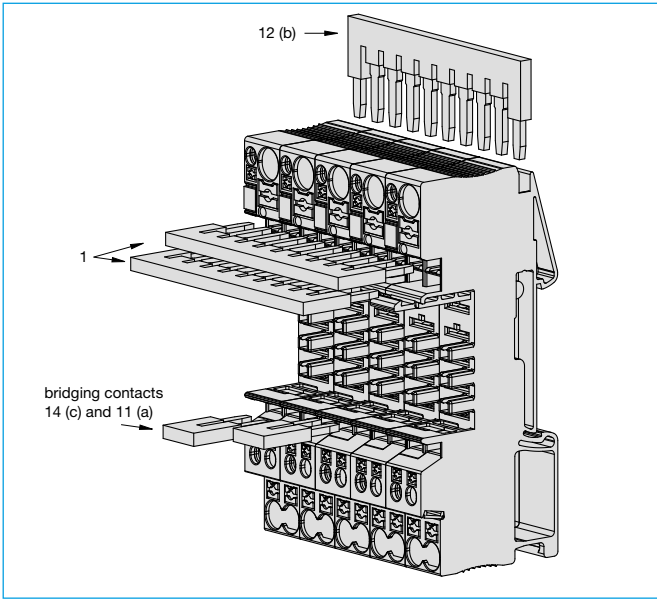


1	Supply
2.1 / 2.2	Power distribution
11 (a)	
14 (c)	
12 (c)	

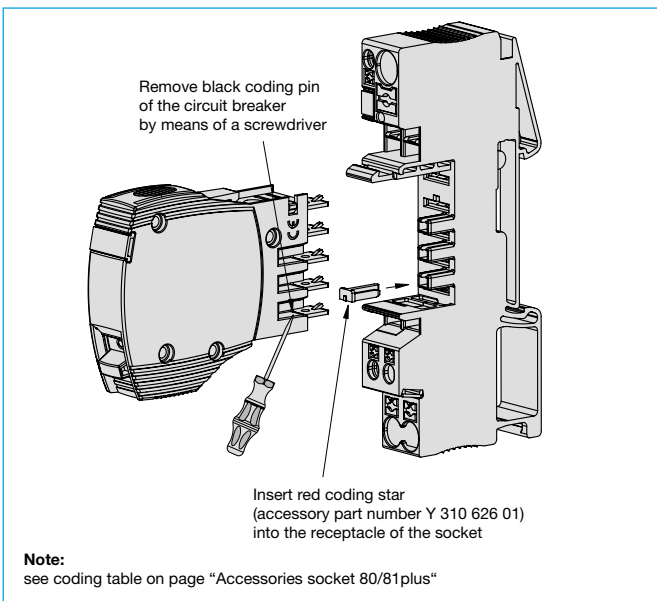
## Cable cross section

	Cross section when opening the push-in terminal	Cable cross section directly pluggable	stripped wire length
terminal 1 (line)	- rigid: 0.5...6 mm <sup>2</sup> - flexible: 0.5...6 mm <sup>2</sup> - flexible with wire end ferrule: (with plastic sleeve) 0.5...6 mm <sup>2</sup> (10 mm <sup>2</sup> ) - flexible with wire end ferrule: (without plastic sleeve) 0.5...6 mm <sup>2</sup> - flexible with TWIN-wire end ferrule: 0.5...1 mm <sup>2</sup>	- rigid: 1...6 mm <sup>2</sup> - flexible with wire end ferrule: (with plastic sleeve) 0.5...6 mm <sup>2</sup> (10 mm <sup>2</sup> ) - flexible with wire end ferrule: (without plastic sleeve) 0.5...6 mm <sup>2</sup>	12 mm
terminals 2.1 and 2.2 (load)	- rigid: 0.2...6 mm <sup>2</sup> - flexible: 0.2...4 mm <sup>2</sup> - flexible with wire end ferrule: (with plastic sleeve) 0.25...4 mm <sup>2</sup> - flexible with wire end ferrule: (without plastic sleeve) 0.25...4 mm <sup>2</sup> - flexible with TWIN-wire end ferrule: 0.5...1 mm <sup>2</sup>	- rigid: 0.5...6 mm <sup>2</sup> - flexible with wire end ferrule: (with plastic sleeve) 0.75...4 mm <sup>2</sup> - flexible with wire end ferrule: (without plastic sleeve) 0.5...4 mm <sup>2</sup>	12 mm
terminals 11, 12 and 14 (signalling)	- rigid: 0.14...1.5 mm <sup>2</sup> - flexible: 0.14...1.5 mm <sup>2</sup> - flexible with wire end ferrule: (with plastic housing) 0.14...1.5 mm <sup>2</sup> - flexible with wire end ferrule: (without plastic sleeve) 0.14...1 mm <sup>2</sup>	- rigid: 0.25...1.5 mm <sup>2</sup> - flexible with wire end ferrule: (with plastic housing) 0.34...1.5 mm <sup>2</sup> - flexible with wire end ferrule: (without plastic sleeve) 0.34...1 mm <sup>2</sup>	8 mm

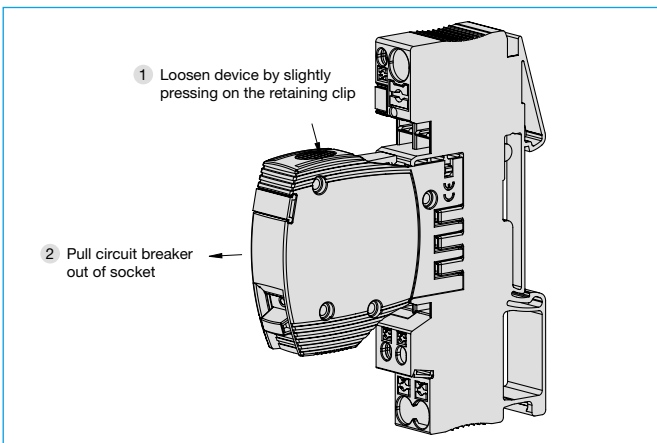
**Insertion of busbars/jumpers**



**Coding of circuit breaker 2216-S and socket 80plus following the lock-key-principle**

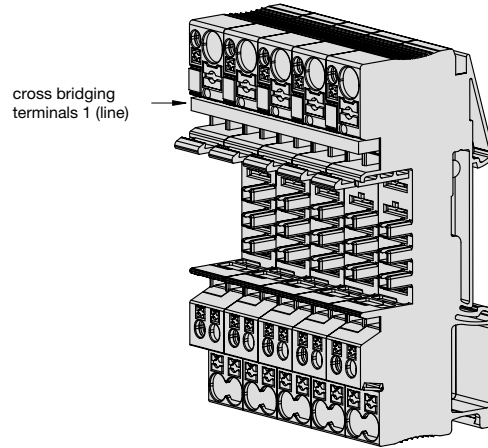


**Replacing a circuit breaker**

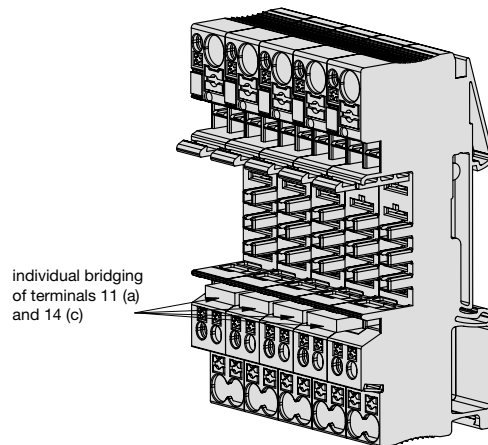


**Application examples**

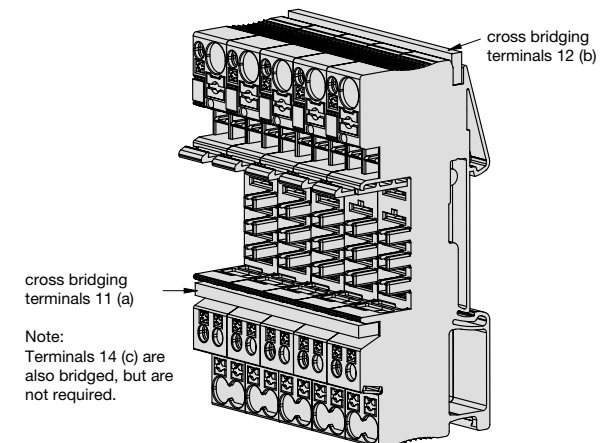
**Common line entry**



**Series connection of auxiliary contacts**



**Parallel connection of auxiliary contacts**

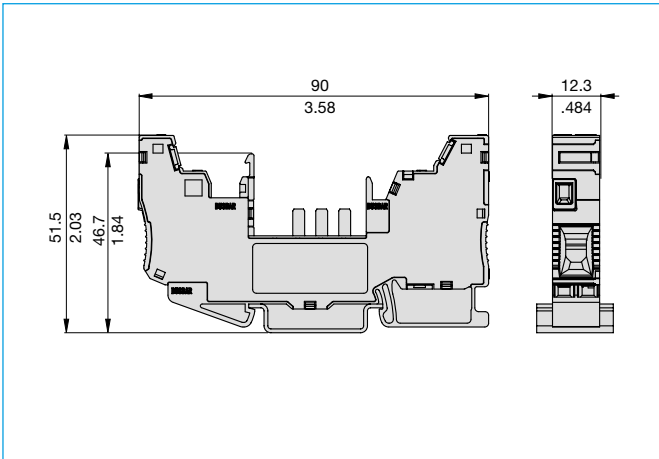


**Description**

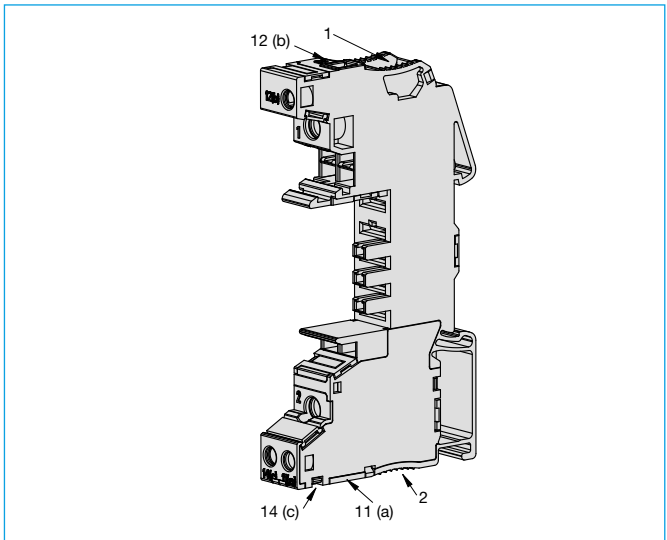
Single pole, with screw terminals, to accommodate 1- and 2- pole circuit breakers type 2216-S

**Part number: 81PLUS-UT01**

**Dimensions**



**Line connection**



1	Supply	
2	Power distribution	
11 (a)	Change-over contact	
14 (c)		
12 (c)		

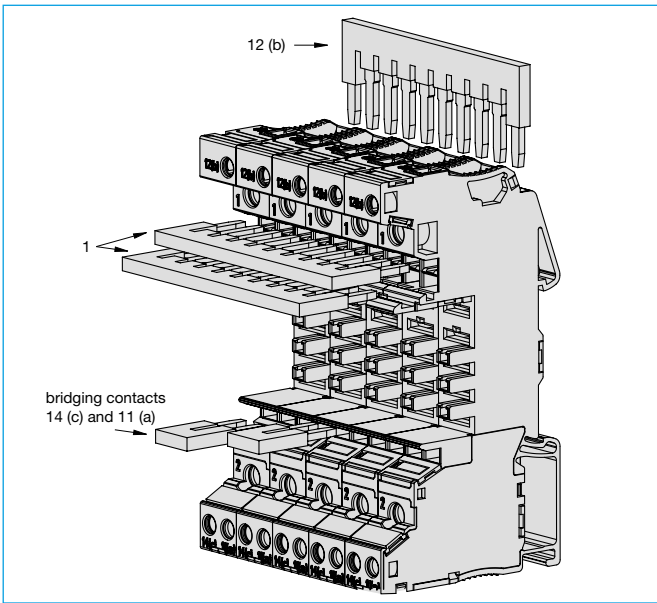
**Cable cross section**

	thread size	max. cable cross section		stripped wire length	tightening torque
terminals 1 (line) and 2 (load)	M4	<b>Wire</b> - rigid (single-wire or multistrand) 0.5...16 mm <sup>2</sup> - flexible: 0.5...10 mm <sup>2</sup> - flexible with wire end ferrule: 0.5...10 mm <sup>2</sup> (with and without plastic sleeve) - flexible with TWIN-wire end ferrule: 0.5...6 mm <sup>2</sup>		10 mm	1.2 Nm
		<b>Multi-lead connection (two wires with identical cross section)</b> - rigid (single-wire or multistrand) 0.5...4 mm <sup>2</sup> - flexible: 0.5...4 mm <sup>2</sup> - flexible with TWIN-wire end ferrule (without plastic sleeve) 0.5...2.5 mm <sup>2</sup>			
terminals 11, 12 and 14 (signalling)	M3	<b>Wire</b> - rigid: 0.14...4 mm <sup>2</sup> - flexible: 0.14...4 mm <sup>2</sup> - flexible with wire end ferrule: 0.14...2.5 mm <sup>2</sup> (with and without plastic sleeve)		9 mm	0.5 Nm
		<b>Multi-lead connection (two wires with identical cross section)</b> - rigid: 0.14...1.5 mm <sup>2</sup> - flexible: 0.14...1.5 mm <sup>2</sup> - flexible with TWIN AEH: 0.5...1.5 mm <sup>2</sup> (with plastic sleeve) - flexible with AEH: 0.14...1.5 mm <sup>2</sup> (without plastic sleeve)			

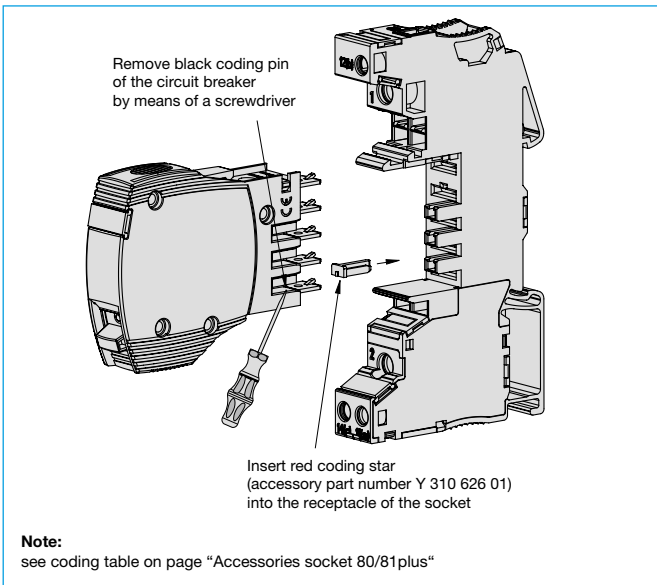
This is a metric design and millimeter dimensions take precedence ( $\frac{mm}{inch}$ )

All dimensions without tolerances are for reference only. In the interest of improved design, performance and cost effectiveness the right to make changes in these specifications without notice is reserved. Product markings may not be exactly as the ordering codes. Errors and omissions excepted.

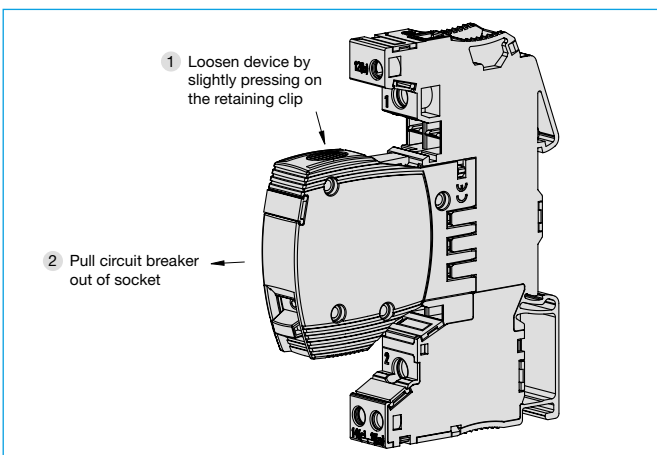
**Insertion of busbars/jumpers**



**Coding of circuit breaker 2216-S and socket 81plus following the lock-key-principle**

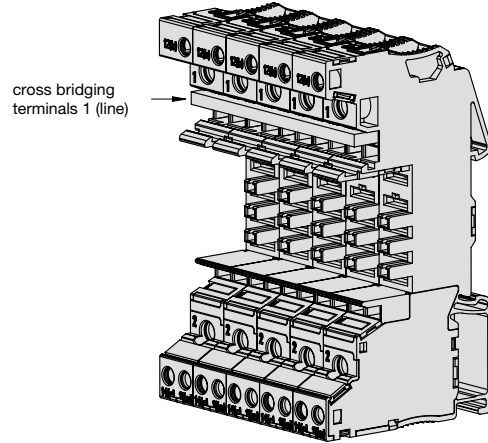


**Replacing a circuit breaker**

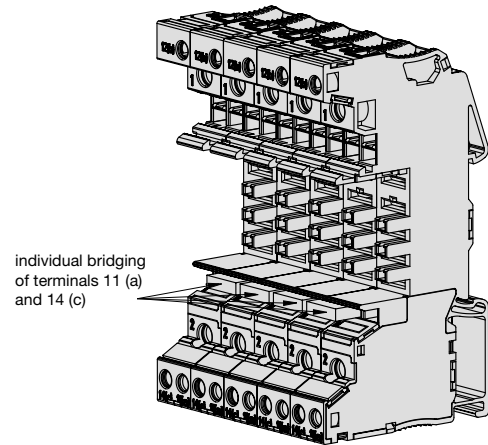


**Application examples**

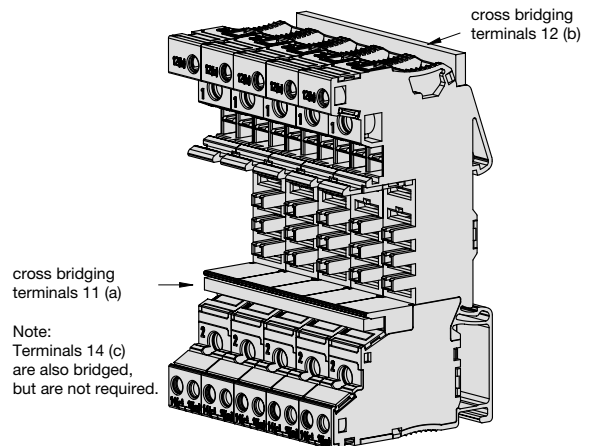
**Common line entry**






**Series connection of auxiliary contacts**



**Parallel connection of auxiliary contacts**



## Accessories

Accessories for Socket 80plus and Socket 81plus		part number	packing qty
busbar, for cross-bridging in the bridge shaft, red, 2 poles *		Y 310 624 01	50
busbar, for cross-bridging in the bridge shaft, red, 4 poles *		Y 310 625 01	50
busbar, for cross-bridging in the bridge shaft, red, 10 poles *		Y 308 823 11	10
busbar, for cross-bridging in the bridge shaft, blue, 2 poles *		Y 310 624 02	50
busbar, for cross-bridging in the bridge shaft, blue, 4 poles *		Y 310 625 02	50
busbar, for cross-bridging in the bridge shaft, blue, 10 poles *		Y 308 823 12	10
busbar, for cross-bridging in the bridge shaft, grey, 2 poles *		Y 310 624 03	50
busbar, for cross-bridging in the bridge shaft, grey, 10 poles *		Y 308 823 13	10
coding star, red, with 4 coding pins each		Y 310 626 01	50
label		X 222 977 50	50
busbar/jumper, 10 poles 	coding star 	label 	

\* Max. bridge current: 32 A

When using two busbars/jumpers (in both bridge shafts of terminal 1), the max. current capacity is 41 A.

**Caution:**

When using busbars/jumpers for bridging the aux. contacts (11(a), 12(b) and 14(c)), the max. bridge current is 4 A

## Coding table

**Coding example:**

Avoid hazardous oversize current ratings

**Your benefit:**

Coded circuit breakers can no longer be inserted into slots with a lower current rating coding.

**Coding of circuit breakers and sockets**

**Sockets:** Insert coding pins in accordance with coding table into receptacles of the sockets.

**Circuit breakers:** Remove coding pins in accordance with coding table by means of screw driver.

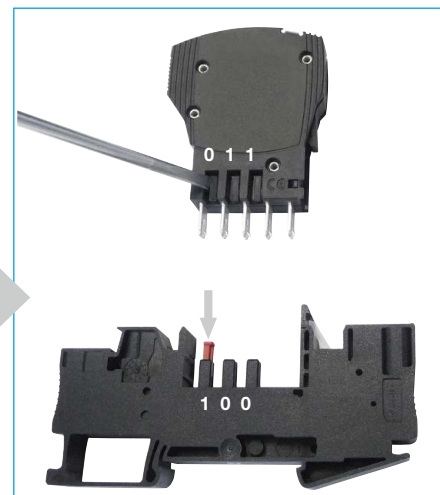
Breaker-socket-coding for the circuit protector with the **highest** current rating

decreasing current rating

Breaker-socket-coding for the circuit protector with the **lowest** current rating

Coding table	Example
Breaker 1 1 1	10 A
Socket 0 0 0	
Breaker 1 1 0	8 A
Socket 0 0 1	
Breaker 1 0 1	6 A
Socket 0 1 0	
Breaker 1 0 0	4 A
Socket 0 1 1	
Breaker 0 1 1	3 A
Socket 1 0 0	
Breaker 0 1 0	2 A
Socket 1 0 1	
Breaker 0 0 1	1 A
Socket 1 1 0	
Breaker 0 0 0	0.5 A
Socket 1 1 1	

1: With PIN / 0: No PIN







Компания «ЭлектроПласт» предлагает заключение долгосрочных отношений при поставках импортных электронных компонентов на взаимовыгодных условиях!

Наши преимущества:

- Оперативные поставки широкого спектра электронных компонентов отечественного и импортного производства напрямую от производителей и с крупнейших мировых складов;
- Поставка более 17-ти миллионов наименований электронных компонентов;
- Поставка сложных, дефицитных, либо снятых с производства позиций;
- Оперативные сроки поставки под заказ (от 5 рабочих дней);
- Экспресс доставка в любую точку России;
- Техническая поддержка проекта, помощь в подборе аналогов, поставка прототипов;
- Система менеджмента качества сертифицирована по Международному стандарту ISO 9001;
- Лицензия ФСБ на осуществление работ с использованием сведений, составляющих государственную тайну;
- Поставка специализированных компонентов (Xilinx, Altera, Analog Devices, Intersil, Interpoint, Microsemi, Aeroflex, Peregrine, Syfer, Eurofarad, Texas Instrument, Miteq, Cobham, E2V, MA-COM, Hittite, Mini-Circuits, General Dynamics и др.);

Помимо этого, одним из направлений компании «ЭлектроПласт» является направление «Источники питания». Мы предлагаем Вам помощь Конструкторского отдела:

- Подбор оптимального решения, техническое обоснование при выборе компонента;
- Подбор аналогов;
- Консультации по применению компонента;
- Поставка образцов и прототипов;
- Техническая поддержка проекта;
- Защита от снятия компонента с производства.



#### Как с нами связаться

**Телефон:** 8 (812) 309 58 32 (многоканальный)

**Факс:** 8 (812) 320-02-42

**Электронная почта:** [org@eplast1.ru](mailto:org@eplast1.ru)

**Адрес:** 198099, г. Санкт-Петербург, ул. Калинина, дом 2, корпус 4, литера А.