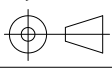




List of "HFW__R-1/2STE1HLF" customer document

| DOCUMENT NO. | LIST |
|------------------|--|
| 10089213(sheet1) | DOCUMENT LIST |
| 10089213(sheet2) | CAT. NO. TABLE FOR 1mm SPACING SMT CONNECTOR (HFW__R-1/2ST_HLF) |
| 10089213(sheet3) | 1mm SPACING SURFACE MOUNT FPC/FFC CONNECTOR (HFW__R-1ST_HLF) |
| 10089213(sheet4) | 1mm SPACING SURFACE MOUNT FPC/FFC CONNECTOR (HFW__R-2ST_HLF) |
| 10089213(sheet5) | CAT. NO. TABLE FOR PLASTIC TAPE PACKAGED 1mm SPACING SMT CONNECTOR (HFW__R-1/2STE1HLF) |
| 10089213(sheet6) | 1mm SPACING SMT CONNECTOR (HFW__R-1STE1HLF) |
| 10089213(sheet7) | 1mm SPACING SMT CONNECTOR (HFW__R-2STE1HLF) |
| 10089213(sheet8) | RECOMMENDED CABLE (FPC) (HFW__R-1/2__) |
| 10089213(sheet9) | RECOMMENDED CABLE (FFC) (HFW__R-1/2__) |
| GS-12-563 | PRODUCT SPEC. |
| BJM-HFWR101 | HANDLING PROCEDURES |

Amphenol FCI

© 2016 AFCI

| | | | | | | | | | | | | | | | | | | |
|-------------|----------------|------|-----------|--|------------|----------------------------|-----------|--|---|--|----------|--|----|--------------|---|------|---|---|
| mat'l. code | | | | surface ISO 1302 <input checked="" type="checkbox"/> | | tolerance ISO 406 ISO 1101 | | projection  | | product family 58NF | | | | | | | | |
| ltr | ecn no | dr | date | tolerances unless otherwise specified | | | | | | MM  | | title | | | | | | |
| A | S08-0199 | DGOH | 08/06/26 | angles | | linear | | | | scale N/A | | 1mm SPACING FPC/FFC CONNECTOR DOCUMENT LIST (Cat. No. : HFW__R-1/2STE1HLF) | | | | | | |
| B | ELX-J-32905 | S.W | 2019-3-13 | | | | | | | | | dwg no | | sheet 1 of 9 | | size | | |
| | | | | dr | S.WATANABE | | 2019-3-13 | |  | | 10089213 | | A4 | | | | | |
| | | | | enr | S.WATANABE | | 2019-3-13 | | | | | | | | | | | |
| | | | | chr | S-H.THIO | | 2019-3-13 | | | | | | | | | | | |
| | | | | appd | Y.KAMEDA | | 2019-3-13 | | | | | | | | | | | |
| sheet index | revision sheet | B | B | B | B | B | B | B | B | B | B | B | B | B | B | B | B | B |
| | | 1 | 2 | 3 | 4 | 5 | 6 | 7 | 8 | 9 | | | | | | | | |

CAT. NO. & DIMENSIONS

| (NOTE3) | NO. OF CONTACTS (n) | CAT. NO. | DIMENSIONS (NOTE2) | | |
|---------|---------------------|-------------------|--------------------|---------|---------|
| | | | A ± 0.2 | B ± 0.2 | C ± 0.1 |
| | 4 | HFW4R-1/2ST__HLF | 6.6 | 3 | 5.14 |
| | 5 | HFW5R-1/2ST__HLF | 7.6 | 4 | 6.14 |
| | 6 | HFW6R-1/2ST__HLF | 8.6 | 5 | 7.14 |
| | 7 | HFW7R-1/2ST__HLF | 9.6 | 6 | 8.14 |
| | 8 | HFW8R-1/2ST__HLF | 10.6 | 7 | 9.14 |
| | 9 | HFW9R-1/2ST__HLF | 11.6 | 8 | 10.14 |
| | 10 | HFW10R-1/2ST__HLF | 12.6 | 9 | 11.14 |
| | 11 | HFW11R-1/2ST__HLF | 13.6 | 10 | 12.14 |
| | 12 | HFW12R-1/2ST__HLF | 14.6 | 11 | 13.14 |
| | 13 | HFW13R-1/2ST__HLF | 15.6 | 12 | 14.14 |
| | 14 | HFW14R-1/2ST__HLF | 16.6 | 13 | 15.14 |
| | 15 | HFW15R-1/2ST__HLF | 17.6 | 14 | 16.14 |
| | 16 | HFW16R-1/2ST__HLF | 18.6 | 15 | 17.14 |
| | 17 | HFW17R-1/2ST__HLF | 19.6 | 16 | 18.14 |
| | 18 | HFW18R-1/2ST__HLF | 20.6 | 17 | 19.14 |
| | 19 | HFW19R-1/2ST__HLF | 21.6 | 18 | 20.14 |
| | 20 | HFW20R-1/2ST__HLF | 22.6 | 19 | 21.14 |
| | 21 | HFW21R-1/2ST__HLF | 23.6 | 20 | 22.14 |
| | 22 | HFW22R-1/2ST__HLF | 24.6 | 21 | 23.14 |
| | 23 | HFW23R-1/2ST__HLF | 25.6 | 22 | 24.14 |
| | 24 | HFW24R-1/2ST__HLF | 26.6 | 23 | 25.14 |
| | 25 | HFW25R-1/2ST__HLF | 27.6 | 24 | 26.14 |
| | 26 | HFW26R-1/2ST__HLF | 28.6 | 25 | 27.14 |
| | 27 | HFW27R-1/2ST__HLF | 29.6 | 26 | 28.14 |
| * | 28 | HFW28R-1/2ST__HLF | 30.6 | 27 | 29.14 |
| * | 29 | HFW29R-1/2ST__HLF | 31.6 | 28 | 30.14 |
| | 30 | HFW30R-1/2ST__HLF | 32.6 | 29 | 31.14 |



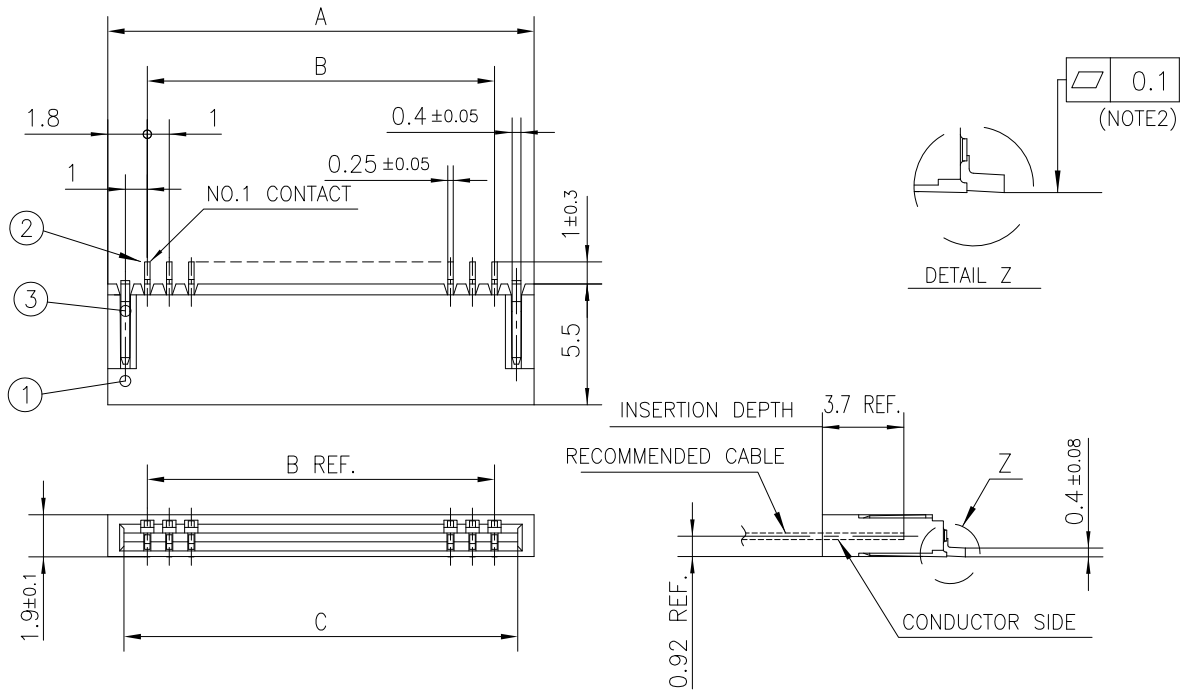
NOTES

1. THIS PRODUCT IS THE CONNECTOR DESIGNED TO TERMINATE FPC/FFC AND COPEs WITH AUTOMATIC MOUNTING (SMT).
2. SEE PART DRAWINGS FOR DIMENSIONS A~C.
3. PLEASE CONSULT US IN CASE OF USING PARTS WITH * MARK.

Amphenol FCI

© 2016 AFCl

| | | | | | | | | | | | |
|-------------|----------------|--|------|---------------------------------------|------------|------------|--|--|--|--------------|------|
| mat'l. code | | surface ISO 1302 <input checked="" type="checkbox"/> | | tolerance ISO 406 ISO 1101 | | projection | | product family 58NF | | | |
| ltr | ecn no | dr | date | tolerances unless otherwise specified | | MM | | title CAT. NO. TABLE FOR 1mm SPACING SMT CONNECTOR (Cat.No. HFW__R-1/2ST__HLF) | | | |
| B | | | | angles | linear | scale N/A | | dwg no | | sheet 2 of 9 | size |
| | | | | dr | S.WATANABE | 2019-3-13 | | 10089213 | | A4 | |
| | | | | enr | S.WATANABE | 2019-3-13 | | Product Customer Drawing | | | |
| | | | | chr | S-H.THIO | 2019-3-13 | | | | | |
| | | | | appd | Y.KAMEDA | 2019-3-13 | | | | | |
| sheet index | revision sheet | | | | | | | | | | |



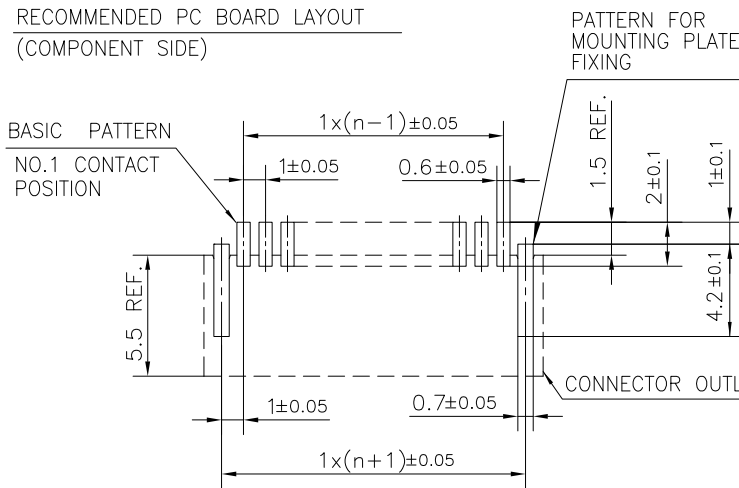
| PT. NO. | PARTS NAME | MATERIAL | Q'TY | NOTE |
|---------|----------------|---------------------------------------|------|---------------------------------|
| 1 | HOUSING | PA6T RESIN GLASS REINFORCED (UL94V-0) | 1 | COLOR : BLACK (HALOGEN FREE) |
| 2 | CONTACT | PHOSPHOR BRONZE | n | PLATING : TIN |
| 3 | MOUNTING PLATE | | 2 | (LEAD FREE) |

n : NO. OF CONTACTS

NOTES

1. THIS PRODUCT IS THE CONNECTOR DESIGNED TO TERMINATE FPC/FFC AND COPES WITH AUTOMATIC MOUNTING (SMT).
2. FLATNESS OF CONTACT TERMINAL FOR HOUSING MUST BE WITHIN TOLERANCE IN Z PORTION DETAILED DRAWING.
3. THIS PRODUCT IS LOWER CONTACT TYPE CONNECTOR.
4. THIS PRODUCT MEETS EUROPEAN UNION DIRECTIVES AND OTHER COUNTRY REGULATIONS AS DESCRIBED IN GS-22-008
5. THE HOUSING WILL WITHSTAND EXPOSURE TO 260°C PEAK TEMPERATURE FOR 10 SECONDS IN A REFLOW SOLDERING OVEN.

RECOMMENDED PC BOARD LAYOUT (COMPONENT SIDE)



| | | | | | | | | | |
|-------------|----------------|----------|------|---------------------------------------|------------|------------|-------------------------------|---|--------------|
| mat'l. code | | surface | | tolerance | | projection | | product family | |
| - | | ISO 1302 | | ISO 406 ISO 1101 | | | | 58NF | |
| ltr | ecn no | dr | date | tolerances unless otherwise specified | | | | title | |
| B | | | | angles | linear | | | 1mm SPACING SURFACE MOUNT FPC/FFC CONNECTOR (Cat.No. HFW__R-1ST__HLF) | |
| | | | | dr | S.WATANABE | 2019-3-13 | dwg no | | sheet 3 of 9 |
| | | | | enr | S.WATANABE | 2019-3-13 | 10089213 | | size |
| | | | | chr | S-H.THIO | 2019-3-13 | | | A4 |
| | | | | appd | Y.KAMEDA | 2019-3-13 | type Product Customer Drawing | | |
| sheet index | revision sheet | | | | | | | | |



| PT. NO. | PARTS NAME | MATERIAL | Q'TY | NOTE |
|---------|----------------|---------------------------------------|------|------------------------------|
| 1 | HOUSING | PA6T RESIN GLASS REINFORCED (UL94V-0) | 1 | COLOR : BLACK (HALOGEN FREE) |
| 2 | CONTACT | PHOSPHOR BRONZE | n | PLATING : TIN |
| 3 | MOUNTING PLATE | | 2 | (LEAD FREE) |

n : NO. OF CONTACTS

RECOMMENDED PC BOARD LAYOUT (COMPONENT SIDE)



NOTES

1. THIS PRODUCT IS THE CONNECTOR DESIGNED TO TERMINATE FPC/FFC AND COPES WITH AUTOMATIC MOUNTING (SMT).
2. FLATNESS OF CONTACT TERMINAL FOR HOUSING MUST BE WITHIN TOLERANCE IN Z PORTION DETAILED DRAWING.
3. THIS PRODUCT IS UPPER CONTACT TYPE CONNECTOR.
4. THIS PRODUCT MEETS EUROPEAN UNION DIRECTIVES AND OTHER COUNTRY REGULATIONS AS DESCRIBED IN GS-22-008
5. THE HOUSING WILL WITHSTAND EXPOSURE TO 260°C PEAK TEMPERATURE FOR 10 SECONDS IN A REFLOW SOLDERING OVEN.

| | | | | | | | | | |
|-------------|----------------|------------------|------|---------------------------------------|------------|------------|--------------|---|--|
| mat'l. code | | surface ISO 1302 | | tolerance ISO 406 ISO 1101 | | projection | | product family 58NF | |
| ltr | ecn no | dr | date | tolerances unless otherwise specified | | MM | | title | |
| B | | | | angles | linear | scale N/A | | 1mm SPACING SURFACE MOUNT FPC/FFC CONNECTOR (Cat.No. HFW__R-2ST__HLF) | |
| | | | | dr | S.WATANABE | 2019-3-13 | Amphenol FCI | dwg no sheet 4 of 9 size | |
| | | | | enr | S.WATANABE | 2019-3-13 | | 10089213 A4 | |
| | | | | chr | S-H.THIO | 2019-3-13 | | | |
| | | | | appd | Y.KAMEDA | 2019-3-13 | | type Product Customer Drawing | |
| sheet index | revision sheet | | | | | | | | |

CAT. NO. & DIMENSIONS

| (NOTE4) | NO. OF CONTACTS (n) | CAT. NO. (NOTE2) | DIMENSIONS (NOTE3) | | |
|---------|---------------------|-------------------|--------------------|---------|---------|
| | | | E ± 0.5 | F ± 0.3 | G ± 0.1 |
| | 4 | HFW4R-1/2STE1HLF | 28.4 | 24 | — |
| | 5 | HFW5R-1/2STE1HLF | 28.4 | 24 | — |
| | 6 | HFW6R-1/2STE1HLF | 28.4 | 24 | — |
| | 7 | HFW7R-1/2STE1HLF | 28.4 | 24 | — |
| | 8 | HFW8R-1/2STE1HLF | 28.4 | 24 | — |
| | 9 | HFW9R-1/2STE1HLF | 28.4 | 24 | — |
| | 10 | HFW10R-1/2STE1HLF | 28.4 | 24 | — |
| | 11 | HFW11R-1/2STE1HLF | 28.4 | 24 | — |
| | 12 | HFW12R-1/2STE1HLF | 28.4 | 24 | — |
| | 13 | HFW13R-1/2STE1HLF | 28.4 | 24 | — |
| | 14 | HFW14R-1/2STE1HLF | 28.4 | 24 | — |
| | 15 | HFW15R-1/2STE1HLF | 36.4 | 32 | 28.4 |
| | 16 | HFW16R-1/2STE1HLF | 36.4 | 32 | 28.4 |
| | 17 | HFW17R-1/2STE1HLF | 36.4 | 32 | 28.4 |
| | 18 | HFW18R-1/2STE1HLF | 36.4 | 32 | 28.4 |
| | 19 | HFW19R-1/2STE1HLF | 48.4 | 44 | 40.4 |
| | 20 | HFW20R-1/2STE1HLF | 48.4 | 44 | 40.4 |
| | 21 | HFW21R-1/2STE1HLF | 48.4 | 44 | 40.4 |
| | 22 | HFW22R-1/2STE1HLF | 48.4 | 44 | 40.4 |
| | 23 | HFW23R-1/2STE1HLF | 48.4 | 44 | 40.4 |
| | 24 | HFW24R-1/2STE1HLF | 48.4 | 44 | 40.4 |
| | 25 | HFW25R-1/2STE1HLF | 48.4 | 44 | 40.4 |
| | 26 | HFW26R-1/2STE1HLF | 48.4 | 44 | 40.4 |
| | 27 | HFW27R-1/2STE1HLF | 48.4 | 44 | 40.4 |
| * | 28 | HFW28R-1/2STE1HLF | 48.4 | 44 | 40.4 |
| * | 29 | HFW29R-1/2STE1HLF | 48.4 | 44 | 40.4 |
| | 30 | HFW30R-1/2STE1HLF | 60.4 | 56 | 52.4 |



NOTES

1. THIS PRODUCT IS THE CONNECTOR DESIGNED TO TERMINATE FPC/FFC AND COPEL WITH AUTOMATIC MOUNTING (SMT).
2. THIS CATALOG NO. INDICATES PLASTIC TAPE PACKAGED CONNECTOR.
3. SEE PART DRAWINGS FOR DIMENSIONS E~G.
4. PLEASE CONSULT US IN CASE OF USING PARTS WITH * MARK.

| | | | | | | | | | |
|-------------|----------------|------------------|------|---------------------------------------|------------|------------|--------------|--|--|
| mat'l. code | | surface ISO 1302 | | tolerance ISO 406 ISO 1101 | | projection | | product family 58NF | |
| ltr | ecn no | dr | date | tolerances unless otherwise specified | | | | title | |
| B | | | | angles | linear | MM | | CAT. NO. TABLE FOR PLASTIC TAPE PACKAGED 1mm SPACING SMT CONN. (Cat.No. HFW__R-1/2STE1HLF) | |
| | | | | dr | S.WATANABE | 2019-3-13 | Amphenol FCI | dwg no sheet 5 of 9 size | |
| | | | | enr | S.WATANABE | 2019-3-13 | | 10089213 A4 | |
| | | | | chr | S-H.THIO | 2019-3-13 | | | |
| | | | | appd | Y.KAMEDA | 2019-3-13 | | type Product Customer Drawing | |
| sheet index | revision sheet | | | | | | | | |



| PT. NO. | PARTS NAME | CAT. NO. | MATERIAL | Q'TY | NOTE |
|---------|------------------------|-----------------|-------------------------|------|--------------------|
| 1 | REEL | — | CARDBOARD | 1 | COLOR:WHITE |
| 2 | PLASTIC (EMBOSSD) TAPE | — | △PS or A-PET | — | COLOR:TRANSPARENCY |
| 3 | COVER | — | △POLYESTER,POLYETHYLENE | — | COLOR:TRANSPARENCY |
| 4 | CONNECTOR | HFV__R-1ST__HLF | SEE SHEET 3 | 2000 | LOWER CONTACT TYPE |

NOTES

- THIS IS PLASTIC TAPE PACKAGED CONNECTOR DESIGNED TO TERMINATE FPC/FFC AND COPES WITH AUTOMATIC MOUNTING (SMT).
- SEE JIS C 0806 (PACKING OF ELECTRONIC COMPONENTS ON CONTINUOUS TAPES (SURFACE MOUNTING DEVICES)) FOR SHAPE AND DIMENSIONS OF PLASTIC (EMBOSSD) TAPE AND REEL.
- E DIMENSION IS PORTION OF THE CORE.

| | | | | | | | | | |
|-------------|----------------|--------------------|------|---------------------------------------|------------|--------------|-------------------------------|---|----|
| mat'l. code | | surface ISO 1302 ✓ | | tolerance ISO 406 ISO 1101 | | projection | | product family 58NF | |
| ltr | ecn no | dr | date | tolerances unless otherwise specified | | MM | | title | |
| B | | | | angles | ±5 | scale N/A | | 1mm SPACING SMT CONNECTOR (Cat.No. HFV__R-1STE1HLF) | |
| | | | | linear | ±5' | Amphenol FCI | | dwg no sheet 6 of 9 size | |
| | | | | dr | S.WATANABE | 2019-3-13 | 10089213 | | △4 |
| | | | | enr | S.WATANABE | 2019-3-13 | type Product Customer Drawing | | |
| | | | | chr | S-H.THIO | 2019-3-13 | | | |
| | | | | appd | Y.KAMEDA | 2019-3-13 | | | |
| sheet index | revision sheet | | | | | | | | |



| PT. NO. | PARTS NAME | CAT. NO. | MATERIAL | Q'TY | NOTE |
|---------|-------------------------|-----------------|---------------------------------|------|--------------------|
| 1 | REEL | — | CARDBOARD | 1 | COLOR:WHITE |
| 2 | PLASTIC (EMBOSSED) TAPE | — | Δ PS or A-PET | — | COLOR:TRANSPARENCY |
| 3 | COVER | — | Δ POLYESTER,POLYETHYLENE | — | COLOR:TRANSPARENCY |
| 4 | CONNECTOR | HFV__R-2ST__HLF | SEE SHEET 4 | 2000 | UPPER CONTACT TYPE |

NOTES

- THIS IS PLASTIC TAPE PACKAGED CONNECTOR DESIGNED TO TERMINATE FPC/FFC AND COPES WITH AUTOMATIC MOUNTING (SMT).
- SEE JIS C 0806 (PACKING OF ELECTRONIC COMPONENTS ON CONTINUOUS TAPES (SURFACE MOUNTING DEVICES)) FOR SHAPE AND DIMENSIONS OF PLASTIC (EMBOSSED) TAPE AND REEL.
- E DIMENSION IS PORTION OF THE CORE.

| | | | | | | | | | | | |
|-------------|----------------|--|------|---------------------------------------|-----------|-----------------|--|---|--|--|--|
| mat'l. code | | surface ISO 1302 <input checked="" type="checkbox"/> | | tolerance ISO 406 ISO 1101 | | projection | | product family 58NF | | | |
| ltr | ecn no | dr | date | tolerances unless otherwise specified | | ϕ ∇ | | title | | | |
| B | | | | angles | ± 5 | MM | | 1mm SPACING SMT CONNECTOR (Cat.No. HFV__R-2STE1HLF) | | | |
| | | | | $\pm 5^\circ$ | linear | scale N/A | | dwg no sheet 7 of 9 size | | | |
| | | | dr | S.WATANABE | 2019-3-13 | Amphenol FCI | | 10089213 $\Delta 4$ | | | |
| | | | enr | S.WATANABE | 2019-3-13 | | | type Product Customer Drawing | | | |
| | | | chr | S-H.THIO | 2019-3-13 | | | | | | |
| | | | app | Y.KAMEDA | 2019-3-13 | | | | | | |
| sheet index | revision sheet | | | | | | | | | | |

RECOMMENDED CABLE (FPC)

n : NO. OF CONDUCTORS



| PT. NO. | DESCRIPTION | MATERIAL | THICKNESS (um) |
|---------|-----------------|--|----------------|
| 1 | BASE FILM | POLYIMIDE OR POLYESTER OR EQUIVALENT | 25 |
| 2 | CONDUCTOR | COPPER FOIL (PLATING : TIN OR SOLDER 1um MIN.) | 35 |
| 3 | OVERLAY | POLYIMIDE OR POLYESTER OR EQUIVALENT | — |
| 4 | SUPPORTING TAPE | POLYESTER OR POLYIMIDE OR EQUIVALENT | 188 |

NOTES

1. NO BURR AT EACH PORTION.
2. NO PEELING IN COMMON USE.
3. TOTAL THICKNESS LIMIT OF EACH MATERIAL (INCLUDING ADHESIVE AGENT) IS SPECIFIED.

| | | | | | | | | | |
|-------------|--|------------------|--|----------------------------|--|----------------------|--|--|--|
| mat'l. code | | surface ISO 1302 | | tolerance ISO 406 ISO 1101 | | projection | | product family 58NF | |
| ltr | | ecn no | | dr | | date | | title | |
| B | | | | | | | | RECOMMENDED CABLE (Cat. No. HFW__R-1/2__) | |
| | | | | angles | | linear | | MM | |
| | | | | dr | | S.WATANABE 2019-3-13 | | dwg no sheet 8 of 9 size | |
| | | | | enr | | S.WATANABE 2019-3-13 | | 10089213 A4 | |
| | | | | chr | | S-H.THIO 2019-3-13 | | type Product Customer Drawing | |
| | | | | appd | | Y.KAMEDA 2019-3-13 | | | |
| sheet index | | revision sheet | | | | | | | |

RECOMMENDED CABLE (FFC)

n : NO. OF CONDUCTORS



| (NOTE3) | DIMENSION A | TOLERANCE B |
|---------|-------------|-------------|
| 1 | 0.7 | 0.1 |
| 2 | 0.6 | 0.07 |

| PT. NO. | DESCRIPTION | MATERIAL |
|---------|-----------------|--|
| 1 | INSULATOR | FLAME RESISTING POLYESTER OR EQUIVALENT |
| 2 | CONDUCTOR | COPPER FOIL (PLATING : TIN OR SOLDER 1um MIN.) |
| 3 | SUPPORTING TAPE | FLAME RESISTING POLYESTER OR EQUIVALENT |

NOTES

1. NO BURR AT EACH PORTION.
2. NO PEELING IN COMMON USE.
3. BOTH COMBINATION IS ALLOWED.

Amphenol FCI

© 2016 AFCl

©

©

| | | | | | | | | | |
|-------------|--------|----------------|------|---------------------------------------|------------|------------|--|--|--|
| mat'l. code | | surface | | tolerance | | projection | | product family | |
| - | | ISO 1302 ✓ | | ISO 406 ISO 1101 | | | | 58NF | |
| ltr | ecn no | dr | date | tolerances unless otherwise specified | | MM | | title | |
| B | | | | angles | linear | | | RECOMMENDED CABLE (Cat. No. HFW__R-1/2ST__) | |
| | | | | dr | S.WATANABE | 2019-3-13 | | dwg no | |
| | | | | enr | S.WATANABE | 2019-3-13 | | sheet 9 of 9 | |
| | | | | chr | S-H.THIO | 2019-3-13 | | 10089213 | |
| | | | | appd | Y.KAMEDA | 2019-3-13 | | size A4 | |
| sheet index | | revision sheet | | | | | | type Product Customer Drawing | |



Компания «ЭлектроПласт» предлагает заключение долгосрочных отношений при поставках импортных электронных компонентов на взаимовыгодных условиях!

Наши преимущества:

- Оперативные поставки широкого спектра электронных компонентов отечественного и импортного производства напрямую от производителей и с крупнейших мировых складов;
- Поставка более 17-ти миллионов наименований электронных компонентов;
- Поставка сложных, дефицитных, либо снятых с производства позиций;
- Оперативные сроки поставки под заказ (от 5 рабочих дней);
- Экспресс доставка в любую точку России;
- Техническая поддержка проекта, помощь в подборе аналогов, поставка прототипов;
- Система менеджмента качества сертифицирована по Международному стандарту ISO 9001;
- Лицензия ФСБ на осуществление работ с использованием сведений, составляющих государственную тайну;
- Поставка специализированных компонентов (Xilinx, Altera, Analog Devices, Intersil, Interpoint, Microsemi, Aeroflex, Peregrine, Syfer, Eurofarad, Texas Instrument, Miteq, Cobham, E2V, MA-COM, Hittite, Mini-Circuits, General Dynamics и др.);

Помимо этого, одним из направлений компании «ЭлектроПласт» является направление «Источники питания». Мы предлагаем Вам помощь Конструкторского отдела:

- Подбор оптимального решения, техническое обоснование при выборе компонента;
- Подбор аналогов;
- Консультации по применению компонента;
- Поставка образцов и прототипов;
- Техническая поддержка проекта;
- Защита от снятия компонента с производства.



Как с нами связаться

Телефон: 8 (812) 309 58 32 (многоканальный)

Факс: 8 (812) 320-02-42

Электронная почта: org@eplast1.ru

Адрес: 198099, г. Санкт-Петербург, ул. Калинина, дом 2, корпус 4, литера А.