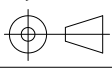



List of "HFW\_\_R-1/2STE1HLF" customer document

| DOCUMENT NO.     | LIST   |
|------------------|--|
| 10089213(sheet1) | DOCUMENT LIST  |
| 10089213(sheet2) | CAT. NO. TABLE FOR 1mm SPACING SMT CONNECTOR (HFW__R-1/2ST_HLF)                        |
| 10089213(sheet3) | 1mm SPACING SURFACE MOUNT FPC/FFC CONNECTOR (HFW__R-1ST_HLF)                           |
| 10089213(sheet4) | 1mm SPACING SURFACE MOUNT FPC/FFC CONNECTOR (HFW__R-2ST_HLF)                           |
| 10089213(sheet5) | CAT. NO. TABLE FOR PLASTIC TAPE PACKAGED 1mm SPACING SMT CONNECTOR (HFW__R-1/2STE1HLF) |
| 10089213(sheet6) | 1mm SPACING SMT CONNECTOR (HFW__R-1STE1HLF)  |
| 10089213(sheet7) | 1mm SPACING SMT CONNECTOR (HFW__R-2STE1HLF)  |
| 10089213(sheet8) | RECOMMENDED CABLE (FPC) (HFW__R-1/2__)   |
| 10089213(sheet9) | RECOMMENDED CABLE (FFC) (HFW__R-1/2__)   |
| GS-12-563        | PRODUCT SPEC.  |
| BJM-HFWR101      | HANDLING PROCEDURES  |

Amphenol FCI

© 2016 AFCl

|             |                |      |           |  |            |                            |   |  |   |  |                          |  |    |              |   |      |   |
|-------------|----------------|------|-----------|--|------------|----------------------------|---|--|---|--|--------------------------|--|----|--------------|---|------|---|
| mat'l. code |                |      |           | surface ISO 1302 <input checked="" type="checkbox"/> |            | tolerance ISO 406 ISO 1101 |   | projection  |   | product family 58NF  |                          |  |    |              |   |      |   |
| ltr         | ecn no         | dr   | date      | tolerances unless otherwise specified                |            |                            |   |  |   | MM  |                          | title  |    |              |   |      |   |
| A           | S08-0199       | DGOH | 08/06/26  | angles   |            |                            |   |  |   | scale N/A  |                          | 1mm SPACING FPC/FFC CONNECTOR DOCUMENT LIST (Cat. No. : HFW__R-1/2STE1HLF) |    |              |   |      |   |
| B           | ELX-J-32905    | S.W  | 2019-3-13 | linear   |            |                            |   |  |   | Amphenol FCI   |                          | dwg no   |    | sheet 1 of 9 |   | size |   |
|             |                |      |           | dr   | S.WATANABE | 2019-3-13                  |   |  |   |  | 10089213                 |  | A4 |              |   |      |   |
|             |                |      |           | enr  | S.WATANABE | 2019-3-13                  |   |  |   |  | Product Customer Drawing |  |    |              |   |      |   |
|             |                |      |           | chr  | S-H.THIO   | 2019-3-13                  |   |  |   |  |                          |  |    |              |   |      |   |
|             |                |      |           | appd   | Y.KAMEDA   | 2019-3-13                  |   |  |   |  |                          |  |    |              |   |      |   |
| sheet index | revision sheet | B    | B         | B  | B          | B                          | B | B  | B | B  | B                        | B  | B  | B            | B | B    | B |
|             |                | 1    | 2         | 3  | 4          | 5                          | 6 | 7  | 8 | 9  |                          |  |    |              |   |      |   |

CAT. NO. & DIMENSIONS

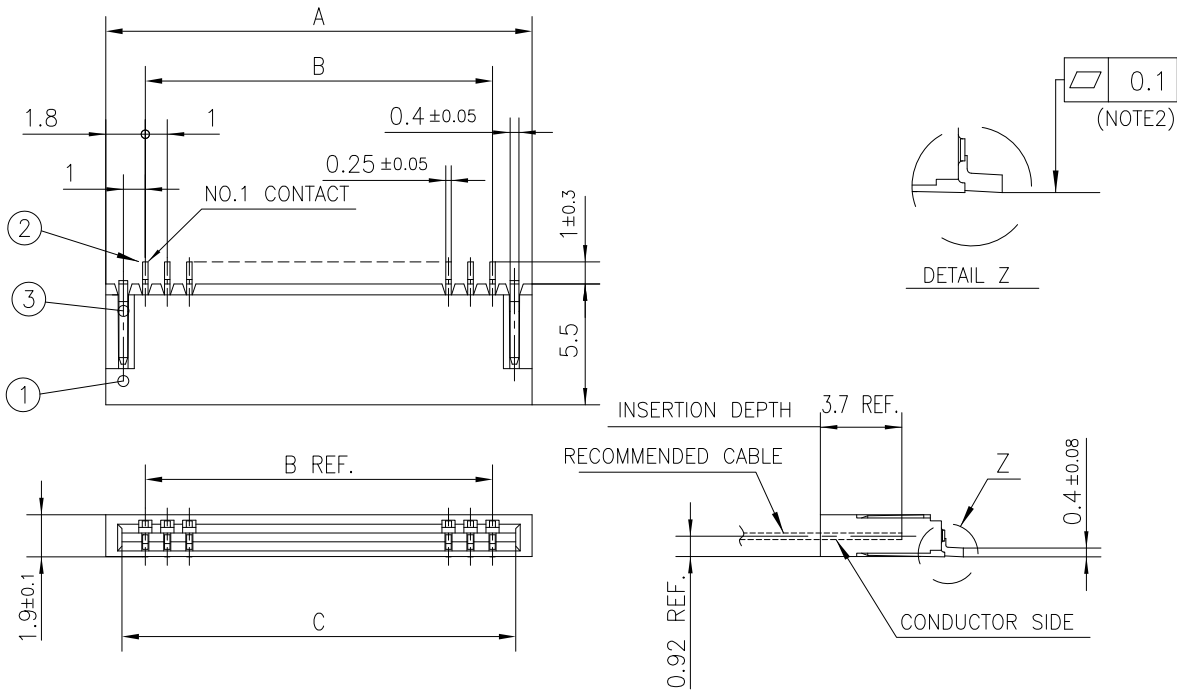
| (NOTE3) | NO. OF CONTACTS (n) | CAT. NO.          | DIMENSIONS (NOTE2) |         |         |
|---------|---------------------|-------------------|--------------------|---------|---------|
|         |                     |                   | A ± 0.2            | B ± 0.2 | C ± 0.1 |
|         | 4                   | HFW4R-1/2ST__HLF  | 6.6                | 3       | 5.14    |
|         | 5                   | HFW5R-1/2ST__HLF  | 7.6                | 4       | 6.14    |
|         | 6                   | HFW6R-1/2ST__HLF  | 8.6                | 5       | 7.14    |
|         | 7                   | HFW7R-1/2ST__HLF  | 9.6                | 6       | 8.14    |
|         | 8                   | HFW8R-1/2ST__HLF  | 10.6               | 7       | 9.14    |
|         | 9                   | HFW9R-1/2ST__HLF  | 11.6               | 8       | 10.14   |
|         | 10                  | HFW10R-1/2ST__HLF | 12.6               | 9       | 11.14   |
|         | 11                  | HFW11R-1/2ST__HLF | 13.6               | 10      | 12.14   |
|         | 12                  | HFW12R-1/2ST__HLF | 14.6               | 11      | 13.14   |
|         | 13                  | HFW13R-1/2ST__HLF | 15.6               | 12      | 14.14   |
|         | 14                  | HFW14R-1/2ST__HLF | 16.6               | 13      | 15.14   |
|         | 15                  | HFW15R-1/2ST__HLF | 17.6               | 14      | 16.14   |
|         | 16                  | HFW16R-1/2ST__HLF | 18.6               | 15      | 17.14   |
|         | 17                  | HFW17R-1/2ST__HLF | 19.6               | 16      | 18.14   |
|         | 18                  | HFW18R-1/2ST__HLF | 20.6               | 17      | 19.14   |
|         | 19                  | HFW19R-1/2ST__HLF | 21.6               | 18      | 20.14   |
|         | 20                  | HFW20R-1/2ST__HLF | 22.6               | 19      | 21.14   |
|         | 21                  | HFW21R-1/2ST__HLF | 23.6               | 20      | 22.14   |
|         | 22                  | HFW22R-1/2ST__HLF | 24.6               | 21      | 23.14   |
|         | 23                  | HFW23R-1/2ST__HLF | 25.6               | 22      | 24.14   |
|         | 24                  | HFW24R-1/2ST__HLF | 26.6               | 23      | 25.14   |
|         | 25                  | HFW25R-1/2ST__HLF | 27.6               | 24      | 26.14   |
|         | 26                  | HFW26R-1/2ST__HLF | 28.6               | 25      | 27.14   |
|         | 27                  | HFW27R-1/2ST__HLF | 29.6               | 26      | 28.14   |
| *       | 28                  | HFW28R-1/2ST__HLF | 30.6               | 27      | 29.14   |
| *       | 29                  | HFW29R-1/2ST__HLF | 31.6               | 28      | 30.14   |
|         | 30                  | HFW30R-1/2ST__HLF | 32.6               | 29      | 31.14   |



NOTES

1. THIS PRODUCT IS THE CONNECTOR DESIGNED TO TERMINATE FPC/FFC AND COPE WITH AUTOMATIC MOUNTING (SMT).
2. SEE PART DRAWINGS FOR DIMENSIONS A~C.
3. PLEASE CONSULT US IN CASE OF USING PARTS WITH \* MARK.

|             |                |  |      |                                       |            |            |  |  |  |  |  |  |  |
|-------------|----------------|--|------|---------------------------------------|------------|------------|--|--|--|--|--|--|--|
| mat'l. code |                | surface ISO 1302 <input checked="" type="checkbox"/> |      | tolerance ISO 406 ISO 1101            |            | projection |  | product family 58NF  |  |  |  |  |  |
| ltr         | ecn no         | dr   | date | tolerances unless otherwise specified |            | MM         |  | title CAT. NO. TABLE FOR 1mm SPACING SMT CONNECTOR (Cat.No. HFW__R-1/2ST__HLF) |  |  |  |  |  |
| B           |                |  |      | angles                                | linear     | scale N/A  |  | dwg no sheet 2 of 9 size   |  |  |  |  |  |
|             |                |  |      | dr                                    | S.WATANABE | 2019-3-13  |  | 10089213 A4  |  |  |  |  |  |
|             |                |  |      | enr                                   | S.WATANABE | 2019-3-13  |  | type Product Customer Drawing  |  |  |  |  |  |
|             |                |  |      | chr                                   | S-H.THIO   | 2019-3-13  |  |  |  |  |  |  |  |
|             |                |  |      | appd                                  | Y.KAMEDA   | 2019-3-13  |  |  |  |  |  |  |  |
| sheet index | revision sheet |  |      |                                       |            |            |  |  |  |  |  |  |  |



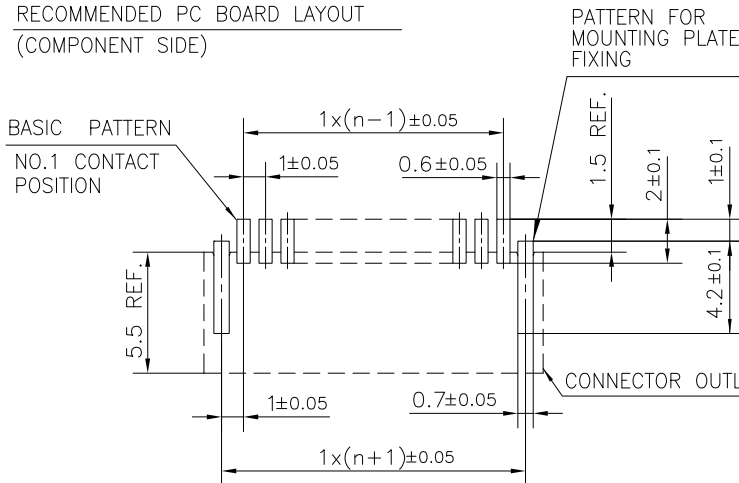
| PT. NO. | PARTS NAME     | MATERIAL                              | Q'TY | NOTE                            |
|---------|----------------|---------------------------------------|------|---------------------------------|
| 1       | HOUSING        | PA6T RESIN GLASS REINFORCED (UL94V-0) | 1    | COLOR : BLACK<br>(HALOGEN FREE) |
| 2       | CONTACT        | PHOSPHOR BRONZE                       | n    | PLATING : TIN                   |
| 3       | MOUNTING PLATE |                                       | 2    | (LEAD FREE)                     |

n : NO. OF CONTACTS

NOTES

1. THIS PRODUCT IS THE CONNECTOR DESIGNED TO TERMINATE FPC/FFC AND COPES WITH AUTOMATIC MOUNTING (SMT).
2. FLATNESS OF CONTACT TERMINAL FOR HOUSING MUST BE WITHIN TOLERANCE IN Z PORTION DETAILED DRAWING.
3. THIS PRODUCT IS LOWER CONTACT TYPE CONNECTOR.
4. THIS PRODUCT MEETS EUROPEAN UNION DIRECTIVES AND OTHER COUNTRY REGULATIONS AS DESCRIBED IN GS-22-008
5. THE HOUSING WILL WITHSTAND EXPOSURE TO 260°C PEAK TEMPERATURE FOR 10 SECONDS IN A REFLOW SOLDERING OVEN.

RECOMMENDED PC BOARD LAYOUT  
(COMPONENT SIDE)



|             |                |          |            |                                       |        |            |          |   |              |      |
|-------------|----------------|----------|------------|---------------------------------------|--------|------------|----------|---|--------------|------|
| mat'l. code |                | surface  |            | tolerance                             |        | projection |          | product family  |              |      |
| -           |                | ISO 1302 |            | ISO 406 ISO 1101                      |        |            |          | 58NF  |              |      |
| ltr         | ecn no         | dr       | date       | tolerances unless otherwise specified |        |            |          | title   |              |      |
| B           |                |          |            | angles                                | linear |            |          | 1mm SPACING SURFACE MOUNT FPC/FFC CONNECTOR (Cat.No. HFW__R-1ST__HLF) |              |      |
|             |                |          |            |                                       | ±0.2   |            |          | MM  |              |      |
|             |                |          |            |                                       |        |            |          | scale N/A   |              |      |
|             |                | dr       | S.WATANABE | 2019-3-13                             |        |            | dwg no   |   | sheet 3 of 9 | size |
|             |                | enr      | S.WATANABE | 2019-3-13                             |        |            | 10089213 |   | A4           |      |
|             |                | chr      | S-H.THIO   | 2019-3-13                             |        |            |          |   |              |      |
|             |                | appd     | Y.KAMEDA   | 2019-3-13                             |        |            |          |   |              |      |
| sheet index | revision sheet |          |            |                                       |        |            |          |   |              |      |



| PT. NO. | PARTS NAME     | MATERIAL                              | Q'TY | NOTE                         |
|---------|----------------|---------------------------------------|------|------------------------------|
| 1       | HOUSING        | PA6T RESIN GLASS REINFORCED (UL94V-0) | 1    | COLOR : BLACK (HALOGEN FREE) |
| 2       | CONTACT        | PHOSPHOR BRONZE                       | n    | PLATING : TIN                |
| 3       | MOUNTING PLATE |                                       | 2    | (LEAD FREE)                  |

n : NO. OF CONTACTS

RECOMMENDED PC BOARD LAYOUT (COMPONENT SIDE)



NOTES

1. THIS PRODUCT IS THE CONNECTOR DESIGNED TO TERMINATE FPC/FFC AND COPES WITH AUTOMATIC MOUNTING (SMT).
2. FLATNESS OF CONTACT TERMINAL FOR HOUSING MUST BE WITHIN TOLERANCE IN Z PORTION DETAILED DRAWING.
3. THIS PRODUCT IS UPPER CONTACT TYPE CONNECTOR.
4. THIS PRODUCT MEETS EUROPEAN UNION DIRECTIVES AND OTHER COUNTRY REGULATIONS AS DESCRIBED IN GS-22-008
5. THE HOUSING WILL WITHSTAND EXPOSURE TO 260°C PEAK TEMPERATURE FOR 10 SECONDS IN A REFLOW SOLDERING OVEN.

|             |                |                  |      |                                       |            |            |              |   |  |
|-------------|----------------|------------------|------|---------------------------------------|------------|------------|--------------|---|--|
| mat'l. code |                | surface ISO 1302 |      | tolerance ISO 406 ISO 1101            |            | projection |              | product family 58NF   |  |
| ltr         | ecn no         | dr               | date | tolerances unless otherwise specified |            | MM         |              | title   |  |
| B           |                |                  |      | angles                                | linear     | scale N/A  |              | 1mm SPACING SURFACE MOUNT FPC/FFC CONNECTOR (Cat.No. HFW__R-2ST__HLF) |  |
|             |                |                  |      | dr                                    | S.WATANABE | 2019-3-13  | Amphenol FCI | dwg no sheet 4 of 9 size  |  |
|             |                |                  |      | enr                                   | S.WATANABE | 2019-3-13  |              | 10089213 A4   |  |
|             |                |                  |      | chr                                   | S-H.THIO   | 2019-3-13  |              |   |  |
|             |                |                  |      | appd                                  | Y.KAMEDA   | 2019-3-13  |              | type Product Customer Drawing   |  |
| sheet index | revision sheet |                  |      |                                       |            |            |              |   |  |

CAT. NO. & DIMENSIONS

| (NOTE4) | NO. OF CONTACTS (n) | CAT. NO. (NOTE2)  | DIMENSIONS (NOTE3) |         |         |
|---------|---------------------|-------------------|--------------------|---------|---------|
|         |                     |                   | E ± 0.5            | F ± 0.3 | G ± 0.1 |
|         | 4                   | HFW4R-1/2STE1HLF  | 28.4               | 24      | —       |
|         | 5                   | HFW5R-1/2STE1HLF  | 28.4               | 24      | —       |
|         | 6                   | HFW6R-1/2STE1HLF  | 28.4               | 24      | —       |
|         | 7                   | HFW7R-1/2STE1HLF  | 28.4               | 24      | —       |
|         | 8                   | HFW8R-1/2STE1HLF  | 28.4               | 24      | —       |
|         | 9                   | HFW9R-1/2STE1HLF  | 28.4               | 24      | —       |
|         | 10                  | HFW10R-1/2STE1HLF | 28.4               | 24      | —       |
|         | 11                  | HFW11R-1/2STE1HLF | 28.4               | 24      | —       |
|         | 12                  | HFW12R-1/2STE1HLF | 28.4               | 24      | —       |
|         | 13                  | HFW13R-1/2STE1HLF | 28.4               | 24      | —       |
|         | 14                  | HFW14R-1/2STE1HLF | 28.4               | 24      | —       |
|         | 15                  | HFW15R-1/2STE1HLF | 36.4               | 32      | 28.4    |
|         | 16                  | HFW16R-1/2STE1HLF | 36.4               | 32      | 28.4    |
|         | 17                  | HFW17R-1/2STE1HLF | 36.4               | 32      | 28.4    |
|         | 18                  | HFW18R-1/2STE1HLF | 36.4               | 32      | 28.4    |
|         | 19                  | HFW19R-1/2STE1HLF | 48.4               | 44      | 40.4    |
|         | 20                  | HFW20R-1/2STE1HLF | 48.4               | 44      | 40.4    |
|         | 21                  | HFW21R-1/2STE1HLF | 48.4               | 44      | 40.4    |
|         | 22                  | HFW22R-1/2STE1HLF | 48.4               | 44      | 40.4    |
|         | 23                  | HFW23R-1/2STE1HLF | 48.4               | 44      | 40.4    |
|         | 24                  | HFW24R-1/2STE1HLF | 48.4               | 44      | 40.4    |
|         | 25                  | HFW25R-1/2STE1HLF | 48.4               | 44      | 40.4    |
|         | 26                  | HFW26R-1/2STE1HLF | 48.4               | 44      | 40.4    |
|         | 27                  | HFW27R-1/2STE1HLF | 48.4               | 44      | 40.4    |
| *       | 28                  | HFW28R-1/2STE1HLF | 48.4               | 44      | 40.4    |
| *       | 29                  | HFW29R-1/2STE1HLF | 48.4               | 44      | 40.4    |
|         | 30                  | HFW30R-1/2STE1HLF | 60.4               | 56      | 52.4    |



NOTES

1. THIS PRODUCT IS THE CONNECTOR DESIGNED TO TERMINATE FPC/FFC AND COPEL WITH AUTOMATIC MOUNTING (SMT).
2. THIS CATALOG NO. INDICATES PLASTIC TAPE PACKAGED CONNECTOR.
3. SEE PART DRAWINGS FOR DIMENSIONS E~G.
4. PLEASE CONSULT US IN CASE OF USING PARTS WITH \* MARK.

|             |                |    |  |            |                                       |              |            |                               |  |  |  |  |
|-------------|----------------|----|--|------------|---------------------------------------|--------------|------------|-------------------------------|--|--|--|--|
| mat'l. code |                |    | surface ISO 1302 <input checked="" type="checkbox"/> |            | tolerance ISO 406 ISO 1101            |              | projection |                               | product family 58NF  |  |  |  |
| ltr         | ecn no         | dr | date   |            | tolerances unless otherwise specified |              | MM         |                               | title<br>CAT. NO. TABLE FOR PLASTIC TAPE PACKAGED 1mm SPACING SMT CONN.<br>(Cat.No. HFW__R-1/2STE1HLF) |  |  |  |
| B           |                |    |  |            | angles                                | linear       | scale N/A  |                               | dwg no sheet 5 of 9 size   |  |  |  |
|             |                |    | dr   | S.WATANABE | 2019-3-13                             | Amphenol FCI |            | 10089213 A4                   |  |  |  |  |
|             |                |    | enr  | S.WATANABE | 2019-3-13                             |              |            |                               |  |  |  |  |
|             |                |    | chr  | S-H.THIO   | 2019-3-13                             |              |            |                               |  |  |  |  |
|             |                |    | appd   | Y.KAMEDA   | 2019-3-13                             |              |            | type Product Customer Drawing |  |  |  |  |
| sheet index | revision sheet |    |  |            |                                       |              |            |                               |  |  |  |  |



| PT. NO. | PARTS NAME             | CAT. NO.        | MATERIAL                | Q'TY | NOTE               |
|---------|------------------------|-----------------|-------------------------|------|--------------------|
| 1       | REEL                   | —               | CARDBOARD               | 1    | COLOR:WHITE        |
| 2       | PLASTIC (EMBOSSD) TAPE | —               | △PS or A-PET            | —    | COLOR:TRANSPARENCY |
| 3       | COVER                  | —               | △POLYESTER,POLYETHYLENE | —    | COLOR:TRANSPARENCY |
| 4       | CONNECTOR              | HFV__R-1ST__HLF | SEE SHEET 3             | 2000 | LOWER CONTACT TYPE |

NOTES

- THIS IS PLASTIC TAPE PACKAGED CONNECTOR DESIGNED TO TERMINATE FPC/FFC AND COPES WITH AUTOMATIC MOUNTING (SMT).
- SEE JIS C 0806 (PACKING OF ELECTRONIC COMPONENTS ON CONTINUOUS TAPES (SURFACE MOUNTING DEVICES)) FOR SHAPE AND DIMENSIONS OF PLASTIC (EMBOSSD) TAPE AND REEL.
- E DIMENSION IS PORTION OF THE CORE.

|             |                |                    |      |                                       |            |              |                          |   |    |
|-------------|----------------|--------------------|------|---------------------------------------|------------|--------------|--------------------------|---|----|
| mat'l. code |                | surface ISO 1302 ✓ |      | tolerance ISO 406 ISO 1101            |            | projection   |                          | product family 58NF                                 |    |
| ltr         | ecn no         | dr                 | date | tolerances unless otherwise specified |            | MM           |                          | title   |    |
| B           |                |                    |      | angles                                | ±5         | scale N/A    |                          | 1mm SPACING SMT CONNECTOR (Cat.No. HFV__R-1STE1HLF) |    |
|             |                |                    |      | ±5'                                   | linear     | Amphenol FCI |                          | dwg no sheet 6 of 9 size                            |    |
|             |                |                    |      | dr                                    | S.WATANABE | 2019-3-13    | 10089213                 |   | △4 |
|             |                |                    |      | enr                                   | S.WATANABE | 2019-3-13    | Product Customer Drawing |   |    |
|             |                |                    |      | chr                                   | S-H.THIO   | 2019-3-13    |                          |   |    |
|             |                |                    |      | appd                                  | Y.KAMEDA   | 2019-3-13    |                          |   |    |
| sheet index | revision sheet |                    |      |                                       |            |              |                          |   |    |



| PT. NO. | PARTS NAME              | CAT. NO.        | MATERIAL                        | Q'TY | NOTE               |
|---------|-------------------------|-----------------|---------------------------------|------|--------------------|
| 1       | REEL                    | —               | CARDBOARD                       | 1    | COLOR:WHITE        |
| 2       | PLASTIC (EMBOSSED) TAPE | —               | $\Delta$ PS or A-PET            | —    | COLOR:TRANSPARENCY |
| 3       | COVER                   | —               | $\Delta$ POLYESTER,POLYETHYLENE | —    | COLOR:TRANSPARENCY |
| 4       | CONNECTOR               | HFW__R-2ST__HLF | SEE SHEET 4                     | 2000 | UPPER CONTACT TYPE |

NOTES

1. THIS IS PLASTIC TAPE PACKAGED CONNECTOR DESIGNED TO TERMINATE FPC/FFC AND COPES WITH AUTOMATIC MOUNTING (SMT).
2. SEE JIS C 0806 (PACKING OF ELECTRONIC COMPONENTS ON CONTINUOUS TAPES (SURFACE MOUNTING DEVICES)) FOR SHAPE AND DIMENSIONS OF PLASTIC (EMBOSSED) TAPE AND REEL.
3. E DIMENSION IS PORTION OF THE CORE.

|             |                |  |      |                                       |            |            |  |   |                               |  |
|-------------|----------------|--|------|---------------------------------------|------------|------------|--|---|-------------------------------|--|
| mat'l. code |                | surface ISO 1302 <input checked="" type="checkbox"/> |      | tolerance ISO 406 ISO 1101            |            | projection |  | product family 58NF                                 |                               |  |
| ltr         | ecn no         | dr   | date | tolerances unless otherwise specified |            | MM         |  | title   |                               |  |
| B           |                |  |      | angles $\pm 5^\circ$                  | $\pm 5$    | scale N/A  |  | 1mm SPACING SMT CONNECTOR (Cat.No. HFW__R-2STE1HLF) |                               |  |
|             |                |  |      | linear                                |            |            |  | dwg no sheet 7 of 9 size                            |                               |  |
|             |                |  |      | dr                                    | S.WATANABE |            |  | 2019-3-13   | 10089213 $\Delta 4$           |  |
|             |                |  |      | enrg                                  | S.WATANABE |            |  | 2019-3-13   |                               |  |
|             |                |  |      | chr                                   | S-H.THIO   |            |  | 2019-3-13   |                               |  |
|             |                |  |      | appd                                  | Y.KAMEDA   | 2019-3-13  |  |   | type Product Customer Drawing |  |
| sheet index | revision sheet |  |      |                                       |            |            |  |   |                               |  |

RECOMMENDED CABLE (FPC)

n : NO. OF CONDUCTORS



| PT. NO. | DESCRIPTION     | MATERIAL                                       | THICKNESS (um) |
|---------|-----------------|--|----------------|
| 1       | BASE FILM       | POLYIMIDE OR POLYESTER OR EQUIVALENT           | 25             |
| 2       | CONDUCTOR       | COPPER FOIL (PLATING : TIN OR SOLDER 1um MIN.) | 35             |
| 3       | OVERLAY         | POLYIMIDE OR POLYESTER OR EQUIVALENT           | —              |
| 4       | SUPPORTING TAPE | POLYESTER OR POLYIMIDE OR EQUIVALENT           | 188            |

NOTES

1. NO BURR AT EACH PORTION.
2. NO PEELING IN COMMON USE.
3. TOTAL THICKNESS LIMIT OF EACH MATERIAL (INCLUDING ADHESIVE AGENT) IS SPECIFIED.

|             |  |                  |  |                            |  |            |  |  |  |
|-------------|--|------------------|--|----------------------------|--|------------|--|--|--|
| mat'l. code |  | surface ISO 1302 |  | tolerance ISO 406 ISO 1101 |  | projection |  | product family 58NF                          |  |
| ltr         |  | ecn no           |  | dr                         |  | date       |  | title  |  |
| B           |  |                  |  |                            |  |            |  | RECOMMENDED CABLE<br>(Cat. No. HFW__R-1/2__) |  |
|             |  |                  |  | angles linear              |  | MM         |  | scale N/A                                    |  |
|             |  | dr               |  | S.WATANABE                 |  | 2019-3-13  |  | dwg no sheet 8 of 9 size                     |  |
|             |  | enr              |  | S.WATANABE                 |  | 2019-3-13  |  | 10089213 A4                                  |  |
|             |  | chr              |  | S-H.THIO                   |  | 2019-3-13  |  | type Product Customer Drawing                |  |
|             |  | appd             |  | Y.KAMEDA                   |  | 2019-3-13  |  |  |  |
| sheet index |  | revision sheet   |  |                            |  |            |  |  |  |



RECOMMENDED CABLE (FFC)

n : NO. OF CONDUCTORS



| (NOTE3) | DIMENSION A | TOLERANCE B |
|---------|-------------|-------------|
| 1       | 0.7         | 0.1         |
| 2       | 0.6         | 0.07        |

| PT. NO. | DESCRIPTION     | MATERIAL                                       |
|---------|-----------------|--|
| 1       | INSULATOR       | FLAME RESISTING POLYESTER OR EQUIVALENT        |
| 2       | CONDUCTOR       | COPPER FOIL (PLATING : TIN OR SOLDER 1um MIN.) |
| 3       | SUPPORTING TAPE | FLAME RESISTING POLYESTER OR EQUIVALENT        |

NOTES

1. NO BURR AT EACH PORTION.
2. NO PEELING IN COMMON USE.
3. BOTH COMBINATION IS ALLOWED.

Amphenol FCI

© 2016 AFCl

|             |        |  |      |                            |                                       |            |                   |                          |  |
|-------------|--------|--|------|----------------------------|---------------------------------------|------------|-------------------|--------------------------|--|
| mat'l. code |        | surface ISO 1302 <input checked="" type="checkbox"/> |      | tolerance ISO 406 ISO 1101 |                                       | projection |                   | product family 58NF      |  |
| ltr         | ecn no | dr   | date |                            | tolerances unless otherwise specified |            | title             |                          |  |
| B           |        |  |      |                            | angles linear                         |            | RECOMMENDED CABLE |                          |  |
|             |        |  |      |                            |                                       |            | MM                |                          |  |
|             |        |  |      |                            |                                       |            | scale N/A         |                          |  |
|             |        | dr   |      | S.WATANABE                 |                                       | 2019-3-13  |                   | dwg no sheet 9 of 9 size |  |
|             |        | enr  |      | S.WATANABE                 |                                       | 2019-3-13  |                   | 10089213 A4              |  |
|             |        | chr  |      | S-H.THIO                   |                                       | 2019-3-13  |                   | Product Customer Drawing |  |
|             |        | appd   |      | Y.KAMEDA                   |                                       | 2019-3-13  |                   |                          |  |
| sheet index |        | revision sheet                                       |      |                            |                                       |            |                   |                          |  |



Компания «ЭлектроПласт» предлагает заключение долгосрочных отношений при поставках импортных электронных компонентов на взаимовыгодных условиях!

Наши преимущества:

- Оперативные поставки широкого спектра электронных компонентов отечественного и импортного производства напрямую от производителей и с крупнейших мировых складов;
- Поставка более 17-ти миллионов наименований электронных компонентов;
- Поставка сложных, дефицитных, либо снятых с производства позиций;
- Оперативные сроки поставки под заказ (от 5 рабочих дней);
- Экспресс доставка в любую точку России;
- Техническая поддержка проекта, помощь в подборе аналогов, поставка прототипов;
- Система менеджмента качества сертифицирована по Международному стандарту ISO 9001;
- Лицензия ФСБ на осуществление работ с использованием сведений, составляющих государственную тайну;
- Поставка специализированных компонентов (Xilinx, Altera, Analog Devices, Intersil, Interpoint, Microsemi, Aeroflex, Peregrine, Syfer, Eurofarad, Texas Instrument, Miteq, Cobham, E2V, MA-COM, Hittite, Mini-Circuits, General Dynamics и др.);

Помимо этого, одним из направлений компании «ЭлектроПласт» является направление «Источники питания». Мы предлагаем Вам помощь Конструкторского отдела:

- Подбор оптимального решения, техническое обоснование при выборе компонента;
- Подбор аналогов;
- Консультации по применению компонента;
- Поставка образцов и прототипов;
- Техническая поддержка проекта;
- Защита от снятия компонента с производства.



#### Как с нами связаться

**Телефон:** 8 (812) 309 58 32 (многоканальный)

**Факс:** 8 (812) 320-02-42

**Электронная почта:** [org@eplast1.ru](mailto:org@eplast1.ru)

**Адрес:** 198099, г. Санкт-Петербург, ул. Калинина, дом 2, корпус 4, литера А.