

Features

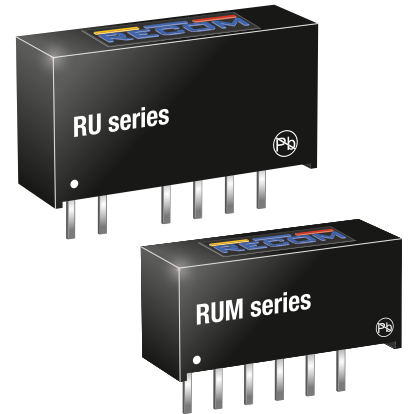
Unregulated Converters

- Twin independent outputs
- 1kVDC or 2kVDC input/output basic isolation
- 1kVDC output/output isolation
- Power sharing on outputs
- Standard and miniature versions
- Optional continued short circuit protected
- Efficiency up to 76%



RU/RUM

**1 Watt
SIP7
Isolated
Dual Output**



IEC60950-1 certified
EN60950-1 certified

Description

The RU DC/DC converter offers two independent isolated outputs. Typical applications include multiple channel circuits where inter-channel isolation is also required. The RUM offers similar specifications in a miniature case for applications where space is at a premium. Both converters offer 1kVDC input/output isolation and 1kVDC output/output isolation. The /H versions offer 2kVDC isolation between input and outputs.

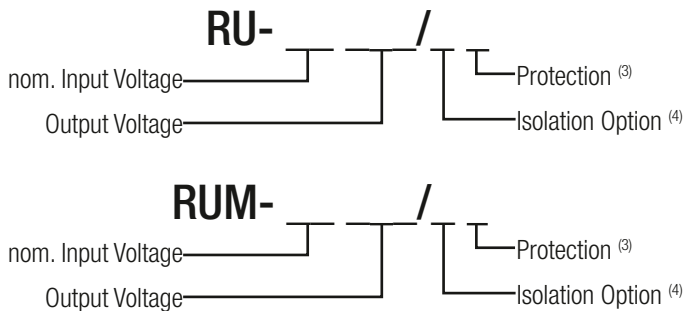
Selection Guide

| Part Number | nom. Input Voltage [VDC] | Output Voltage V1 [VDC] | Output Voltage V2 [VDC] | Output Current [mA] | Efficiency typ. ⁽¹⁾ [%] | max. Capacitive Load ⁽²⁾ [µF] |
|------------------------------|--------------------------|-------------------------|-------------------------|---------------------|------------------------------------|--|
| RU-3.30505 ^(3,4) | 3.3 | 5 | 5 | 100/100 | 76 | 470/470 |
| RU-050505 ^(3,4) | 5 | 5 | 5 | 100/100 | 72 | 470/470 |
| RUM-3.30505 ^(3,4) | 3.3 | 5 | 5 | 100/100 | 78 | 470/470 |
| RUM-050505 ^(3,4) | 5 | 5 | 5 | 100/100 | 72 | 470/470 |

Notes:

- Note1: Efficiency is tested at nominal input and full load at +25°C ambient
 Note2: Max Cap Load is tested at nominal input and full resistive load and is defined as the capacitive load that will allow start up in under 1s without damage to the converter

Model Numbering



Notes:

- Note3: standard part is without continuous short circuit protection
 add suffix „/P“ for continuous short circuit protection
 Note4: add suffix „/H“ for 2kVDC isolation
 or add suffix „/HP“ for 2kVDC isolation and continuous short circuit protection

Ordering Examples:

- RU-050505/P= 5V Input Voltage, 5V Output Voltage (V1VDC), 5V Output Voltage (V2VDC) with continuous short circuit protection
 RUM-3.30505/HP= 12V Input Voltage, 24V Output Voltage (V1VDC), 24V Output Voltage (V2VDC) with 2kVDC isolation and continuous short circuit protection

Specifications (measured @ Ta= 25°C, nom. Vin, full load and after warm-up unless otherwise stated)

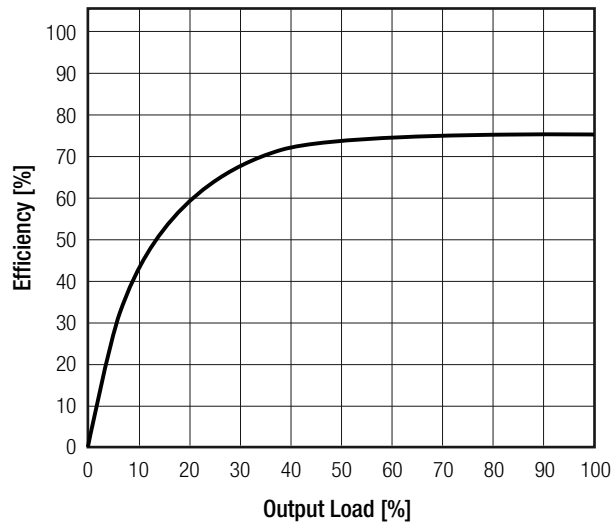
BASIC CHARACTERISTICS

| Parameter | Condition | | Min. | Typ. | Max. |
|------------------------------|-----------|-----------|-------|-------|---------------------|
| Input Voltage Range | | | | ±10% | |
| Minimum Load ⁽⁵⁾ | | | 0% | | |
| Internal Operating Frequency | | | 20kHz | 70kHz | 105kHz |
| Output Ripple and Noise | 20MHz BW | RU RUM | | | 75mVp-p 100mVp-p |

Notes:

Note5: Operation below 10% load will not harm the converter, but specifications may not be met

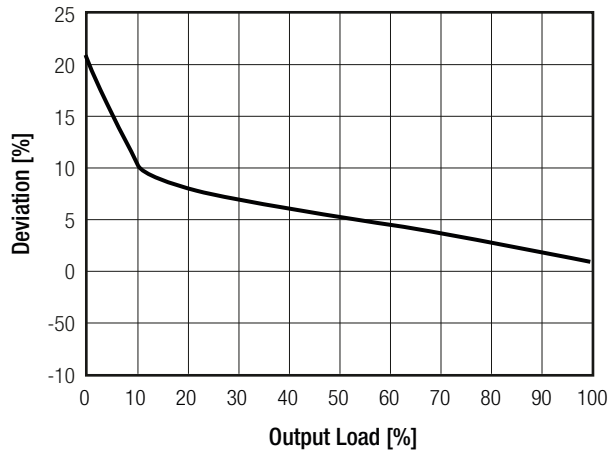
Efficiency vs. Load



REGULATIONS

| Parameter | Condition | | Value |
|-----------------|-----------------------|----------------|------------------------|
| Output Accuracy | | | ±5.0% max. |
| Line Regulation | low line to high line | | ±1.2% of 1.0% Vin typ. |
| Load Regulation | 10% to 100% load | 3.3, 5Vout | 15.0% max. |
| | | 12, 15, 24Vout | 10.0% max. |

Deviation vs. Load



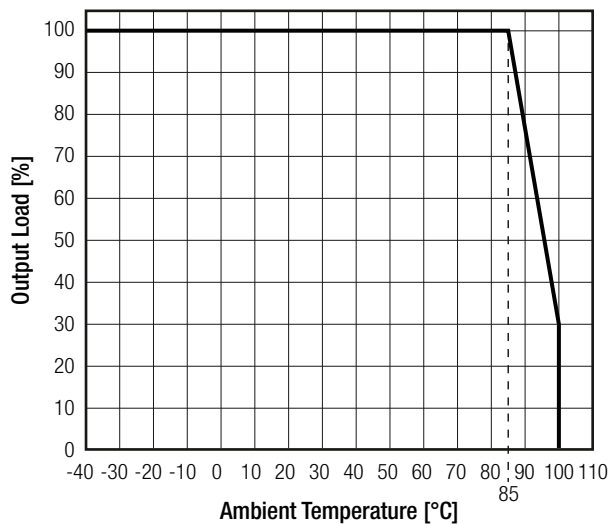
continued on next page

Specifications (measured @ Ta= 25°C, nom. Vin, full load and after warm-up unless otherwise stated)

| PROTECTIONS | | | | |
|--|------------------------------------|---------------------|---|------------------------|
| Parameter | Type | | | Value |
| Short Circuit Protection (SCP) | without suffix with suffix "/P" | | | 1 second continuous |
| Isolation Voltage ⁽⁶⁾ | I/P to O/P | without suffix | tested for 1 second rated for 1 minute | 1kVDC 500VAC / 60Hz |
| | | with suffix "/H" | tested for 1 second rated for 1 minute | 2kVDC 1kVAC / 60Hz |
| | O/P1 to O/P2 | | tested for 1 second | 1kVDC |
| Isolation Resistance | | | | 10GΩ min. |
| Isolation Capacitance | | | | 20pF min. / 94pF max. |
| Insulation Grade | | | | basic |
| Notes: | | | | |
| Note6: For repeat Hi-Pot testing, reduce the time and/or the test voltage | | | | |
| Note7: Refer to local wiring regulations if input over-current protection is also required. Recommended fuse: T1A slow blow type | | | | |

| ENVIRONMENTAL | | | |
|-----------------------------|---|-------|------------------------------|
| Parameter | Condition | | Value |
| Operating Temperature Range | full load @ free air convection (see graph) | | -40°C to + 85°C |
| Operating Altitude | | | 2000m |
| Operating Humidity | non-condensing | | 95% RH max. |
| Pollution Degree | | | PD2 |
| MTBF | according to MIL-HDBK-217F, G.B. | +25°C | 1012 x 10 ³ hours |
| | | +85°C | 151 x 10 ³ hours |

Derating Graph
(@free air convection)



| SAFETY AND CERTIFICATIONS | | |
|---|----------------------|--|
| Certificate Type (Safety) | Report / File Number | Standard |
| Information Technology Equipment, General Requirements for Safety | 1602031 | IEC60950-1:2005, 2nd Edition + A2:2013 EN60950-1:2006 + A2:2013 |
| EAC | RU-AT.49.09571 | TP TC 004/2011 |
| RoHS 2+ | | RoHS-2011/65/EU + AM-2015/863 |

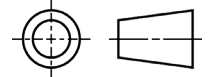
Specifications (measured @ Ta= 25°C, nom. Vin, full load and after warm-up unless otherwise stated)

DIMENSION AND PHYSICAL CHARACTERISTICS

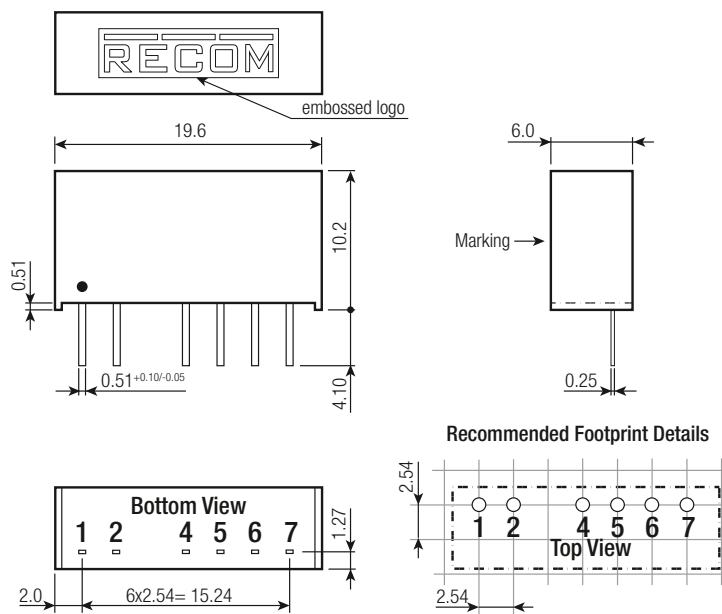
| Parameter | Type | Value |
|---------------------------|---------|---|
| Material | case | non-conductive black plastic (JL94 V-1) |
| | potting | epoxy, (JL94 V-0) |
| | PCB | FR4, (JL94 V-1) |
| Package Dimension (LxWxH) | RU | 19.65 x 7.0 x 10.2mm |
| | RUM | 16.55 x 6.0 x 7.7mm |
| Package Weight | | 2.7g typ. |

Dimension Drawing (mm)

RU



SIP7 Package



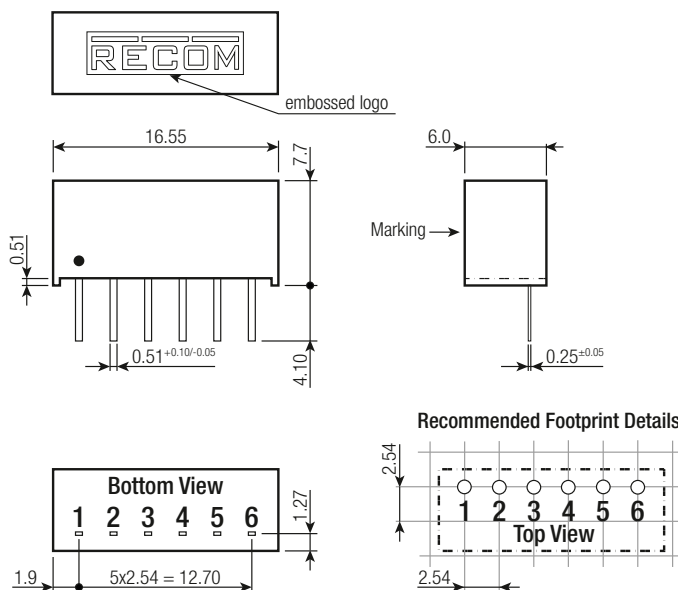
Pinning information

| Pin # | Single |
|-------|---------|
| 1 | +Vin |
| 2 | -Vin |
| 4 | +Vout 1 |
| 5 | -Vout 1 |
| 6 | +Vout 2 |
| 7 | -Vout 2 |

Tolerance:
 xx.x= ±0.5mm
 xx.xx= ±0.25mm

RUM

SIP6 Package



Pinning information

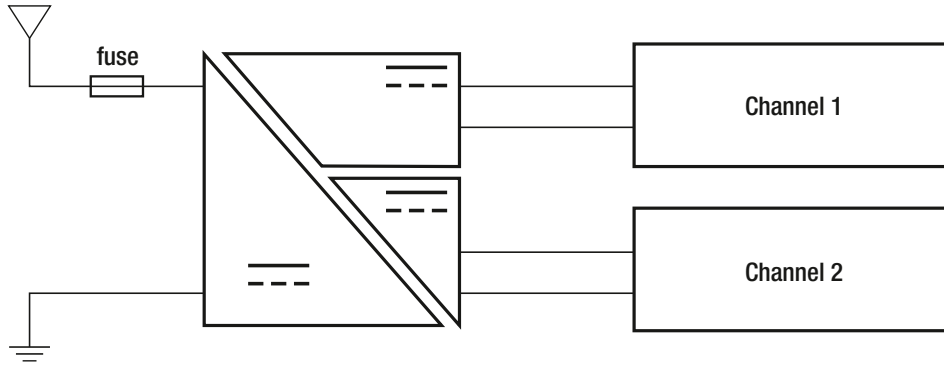
| Pin # | Single |
|-------|---------|
| 1 | +Vin |
| 2 | -Vin |
| 3 | +Vout 1 |
| 4 | -Vout 1 |
| 5 | +Vout 2 |
| 6 | -Vout 2 |

Tolerance:
 xx.x= ±0.5mm
 xx.xx= ±0.25mm

Specifications (measured @ Ta= 25°C, nom. Vin, full load and after warm-up unless otherwise stated)

INSTALLATION AND APPLICATION

Typical Application



PACKAGING INFORMATION

| Parameter | Type | | Value |
|-----------------------------|------|-----------|----------------------|
| Packaging Dimension (LxWxH) | tube | | 520.0 x 16.0 x 9.0mm |
| Packaging Quantity | tube | RU RUM | 25pcs 30pcs |
| Storage Temperature Range | | | -55°C to + 125°C |
| Storage Humidity | | | 95% RH max. |

The product information and specifications may be subject to changes even without prior written notice. The product has been designed for various applications; its suitability lies in the responsibility of each customer. The products are not authorized for use in safety-critical applications without RECOM's explicit written consent. A safety-critical application is an application where a failure may reasonably be expected to endanger or cause loss of life, inflict bodily harm or damage property. The applicant shall indemnify and hold harmless RECOM, its affiliated companies and its representatives against any damage claims in connection with the unauthorized use of RECOM products in such safety-critical applications.



Компания «ЭлектроПласт» предлагает заключение долгосрочных отношений при поставках импортных электронных компонентов на взаимовыгодных условиях!

Наши преимущества:

- Оперативные поставки широкого спектра электронных компонентов отечественного и импортного производства напрямую от производителей и с крупнейших мировых складов;
- Поставка более 17-ти миллионов наименований электронных компонентов;
- Поставка сложных, дефицитных, либо снятых с производства позиций;
- Оперативные сроки поставки под заказ (от 5 рабочих дней);
- Экспресс доставка в любую точку России;
- Техническая поддержка проекта, помощь в подборе аналогов, поставка прототипов;
- Система менеджмента качества сертифицирована по Международному стандарту ISO 9001;
- Лицензия ФСБ на осуществление работ с использованием сведений, составляющих государственную тайну;
- Поставка специализированных компонентов (Xilinx, Altera, Analog Devices, Intersil, Interpoint, Microsemi, Aeroflex, Peregrine, Syfer, Eurofarad, Texas Instrument, Miteq, Cobham, E2V, MA-COM, Hittite, Mini-Circuits, General Dynamics и др.);

Помимо этого, одним из направлений компании «ЭлектроПласт» является направление «Источники питания». Мы предлагаем Вам помощь Конструкторского отдела:

- Подбор оптимального решения, техническое обоснование при выборе компонента;
- Подбор аналогов;
- Консультации по применению компонента;
- Поставка образцов и прототипов;
- Техническая поддержка проекта;
- Защита от снятия компонента с производства.



Как с нами связаться

Телефон: 8 (812) 309 58 32 (многоканальный)

Факс: 8 (812) 320-02-42

Электронная почта: org@eplast1.ru

Адрес: 198099, г. Санкт-Петербург, ул. Калинина, дом 2, корпус 4, литера А.