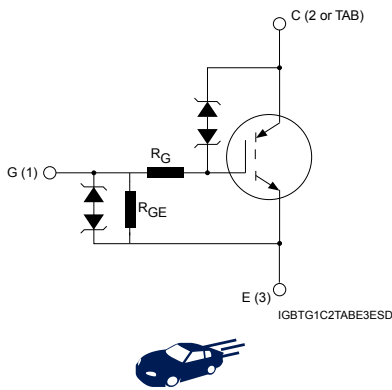
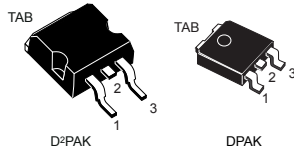


## Automotive-grade 450 V internally clamped IGBT $E_{SCIS}$ 300 mJ



### Features

- AEC-Q101 qualified
- SCIS energy of 300 mJ @  $T_J = 25\text{ °C}$
- Parts are 100% tested in SCIS
- ESD gate-emitter protection
- Gate-collector high voltage clamping
- Logic level gate drive
- Very low saturation voltage
- High pulsed current capability
- Gate and gate-emitter resistor

### Applications

- Automotive ignition coil driver circuit

### Description

This application-specific IGBT utilizes the most advanced PowerMESH™ technology optimized for coil driving in the harsh environment of automotive ignition systems. These devices show very low on-state voltage and very high SCIS energy capability over a wide operating temperature range. Moreover, ESD-protected logic level gate input and an integrated gate resistor means no external protection circuitry is required.

#### Product status

STGB20N45LZAG

STGD20N45LZAG

#### Product summary

Order code	STGB20N45LZAG
Marking	GB20N45LZ
Package	D²PAK
Packing	Tape and reel
Order code	STGD20N45LZAG
Marking	GD20N45LZ
Package	DPAK
Packing	Tape and reel

# 1 Electrical ratings

**Table 1. Absolute maximum ratings**

Symbol	Parameter	Value	Unit
$V_{CES}$	Collector-emitter voltage ( $V_{GE} = 0$ V)	$V_{CES(\text{clamped})}$	V
$V_{ECS}$	Emitter-collector voltage ( $V_{GE} = 0$ V)	20	V
$I_C$	Continuous collector current at $T_C = 25$ °C, $V_{GE} = 4$ V	25	A
	Continuous collector current at $T_C = 100$ °C, $V_{GE} = 4$ V	25	A
$I_{CP}^{(1)}$	Pulsed collector current	50	A
$V_{GE}$	Gate-emitter voltage	$V_{GE(\text{clamped})}$	V
$P_{TOT}$	Total dissipation at $T_C = 25$ °C	150	W
$E_{SCIS\_25}^{(2)}$	Self-clamping inductive switching energy	300	mJ
$E_{SCIS\_150}^{(3)}$	Self-clamping inductive switching energy @ $T_J = 150$ °C	170	mJ
ESD	Human body model, $R = 1.5$ k $\Omega$ , $C = 100$ pF	4	kV
	Charged device model	2	kV
$T_{STG}$	Storage temperature range	-55 to 175	°C
$T_J$	Operating junction temperature range		

1. Pulse width limited by maximum junction temperature.
2. Starting  $T_J = 25$  °C,  $L = 3$  mH,  $R_g = 1$  k $\Omega$ ,  $V_{cc} = 50$  V during inductor charging and  $V_{cc} = 0$  V during the time in clamp. Parts are 100% electrically tested in production.
3. Starting  $T_J = 150$  °C,  $L = 3$  mH,  $R_g = 1$  k $\Omega$ ,  $V_{cc} = 50$  V during inductor charging and  $V_{cc} = 0$  V during the time in clamp.

**Table 2. Thermal data**

Symbol	Parameter	Value		Unit
		D <sup>2</sup> PAK	DPAK	
$R_{thj\text{-case}}$	Thermal resistance junction-case	1		°C/W
$R_{thj\text{-amb}}$	Thermal resistance junction-ambient	62.5	100	°C/W

## 2 Electrical characteristics

$T_C = 25\text{ °C}$  unless otherwise specified

**Table 3. Static characteristics**

Symbol	Parameter	Test conditions	Min.	Typ.	Max.	Unit
$V_{CES(\text{clamped})}$	Collector-emitter clamped voltage	$I_C = 2\text{ mA}, V_{GE} = 0\text{ V}$		450		V
		$I_C = 2\text{ mA}, V_{GE} = 0\text{ V}, T_J = -40\text{ °C to }175\text{ °C}$	415		475	V
$V_{(BR)ECS}$	Emitter-collector break-down voltage	$I_C = 75\text{ mA}, V_{GE} = 0\text{ V}$	20			V
$V_{GE(\text{clamped})}$	Gate-emitter clamped voltage	$I_G = \pm 2\text{ mA}, T_J = -40\text{ °C to }175\text{ °C}$	12		16	V
$V_{CE(\text{sat})}$	Collector-emitter saturation voltage	$V_{GE} = 4\text{ V}, I_C = 6\text{ A}$		1.1	1.25	V
		$V_{GE} = 4.5\text{ V}, I_C = 10\text{ A}, T_J = 175\text{ °C}$		1.25	1.55	V
$V_{GE(\text{th})}$	Gate-threshold voltage	$V_{GE} = V_{CE}, I_C = 1\text{ mA}$	1.3	1.7	2.1	V
		$V_{GE} = V_{CE}, I_C = 1\text{ mA}, T_J = 175\text{ °C}$		1.05		V
$I_{CES}$	Collector cut-off current	$V_{CE} = 15\text{ V}, V_{GE} = 0\text{ V}, T_J = 150\text{ °C}$			20	$\mu\text{A}$
		$V_{CE} = 200\text{ V}, V_{GE} = 0\text{ V}, T_J = 150\text{ °C}$			100	$\mu\text{A}$
$I_{GES}$	Gate-emitter leakage current	$V_{GE} = \pm 10\text{ V}, V_{CE} = 0\text{ V}$		625		$\mu\text{A}$
		$V_{GE} = \pm 10\text{ V}, V_{CE} = 0\text{ V}, T_J = -40\text{ °C to }175\text{ °C}$	450		900	$\mu\text{A}$
$R_{GE}$	Gate emitter resistance		11	16	22	k $\Omega$
$R_G$	Gate resistance			120		$\Omega$

**Table 4. Dynamic characteristics**

Symbol	Parameter	Test conditions	Min.	Typ.	Max.	Unit
$C_{ies}$	Input capacitance	$V_{CE} = 25\text{ V}, f = 1\text{ MHz}, V_{GE} = 0\text{ V}$	-	1011	-	pF
$C_{oes}$	Output capacitance		-	87	-	
$C_{res}$	Reverse transfer capacitance		-	14	-	
$Q_g$	Total gate charge	$V_{CE} = 13\text{ V}, I_C = 10\text{ A}, V_{GE} = 0\text{ to }5\text{ V}$	-	26	-	nC

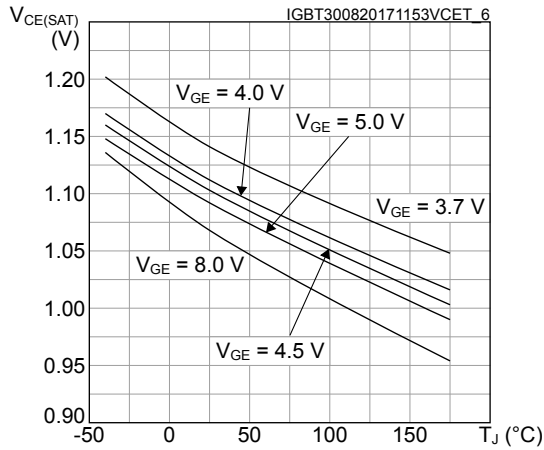
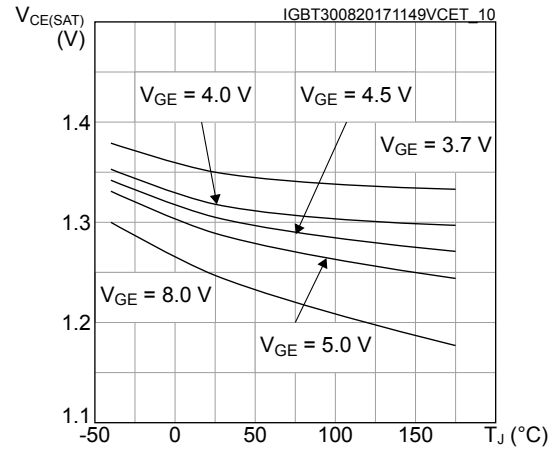
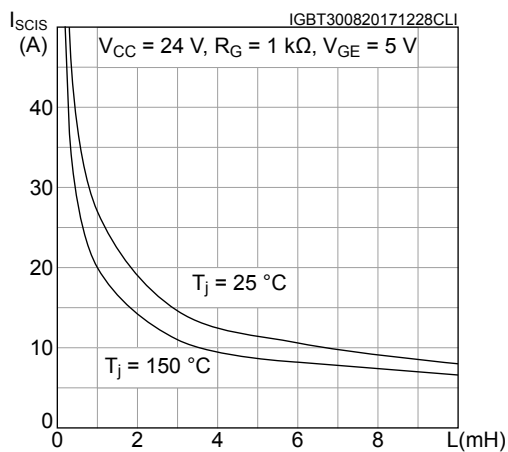
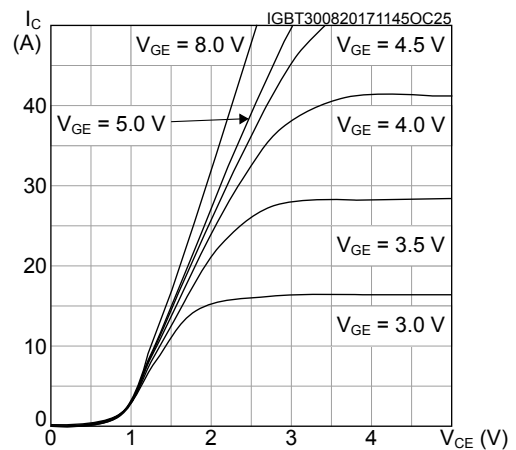
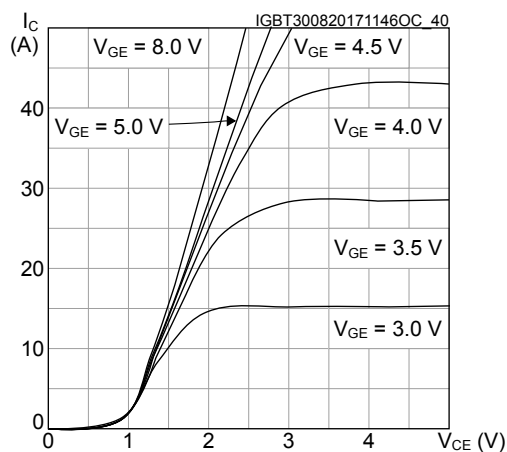
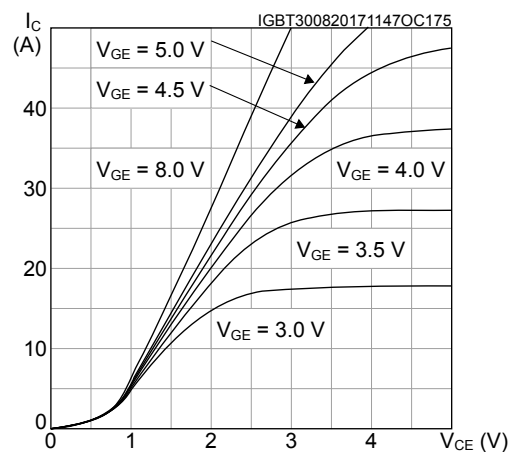
**Table 5. Resistive load switching characteristics**

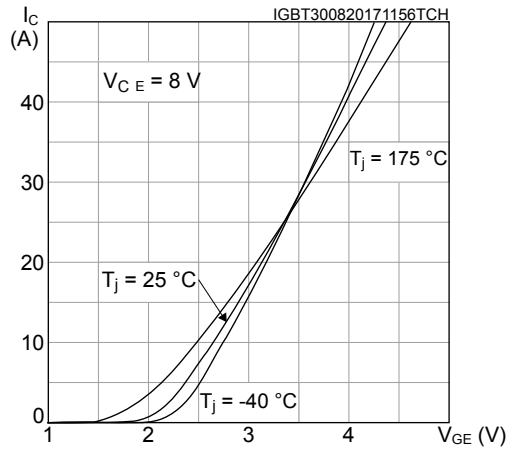
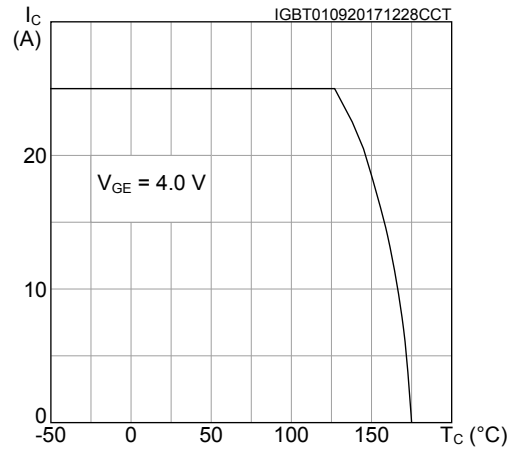
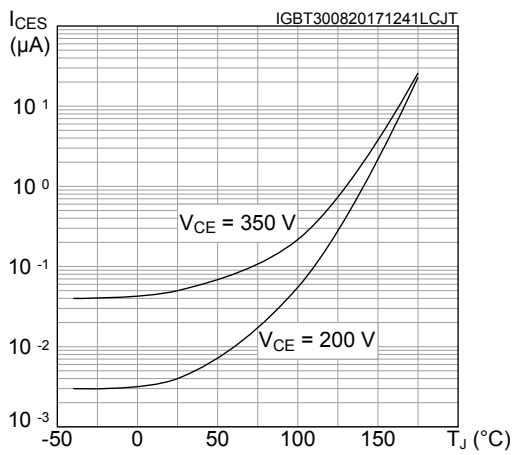
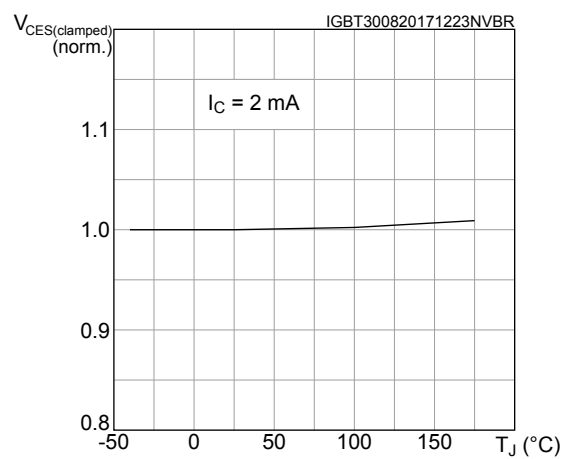
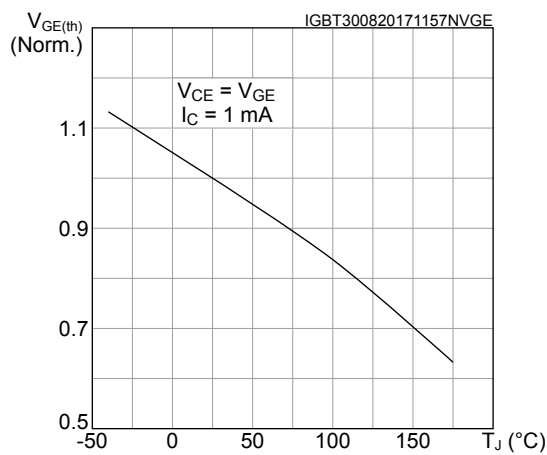
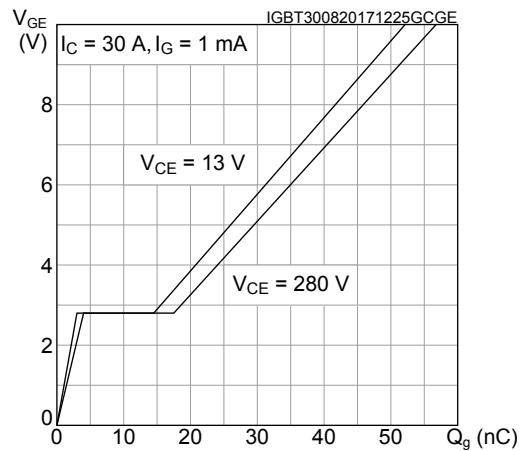
Symbol	Parameter	Test conditions	Min.	Typ.	Max.	Unit
$t_{d(on)}$	Turn-on delay time	$V_{CC} = 14\text{ V}$ , $V_{GE} = 5\text{ V}$ ,	-	1.1	-	$\mu\text{s}$
$t_r$	Current rise time	$R_L = 1\ \Omega$ , $R_G = 1\ \text{k}\Omega$ (see Figure 17. Test circuit for resistive load switching)	-	3.6	-	$\mu\text{s}$
$t_{d(on)}$	Turn-on delay time	$V_{CC} = 14\text{ V}$ , $V_{GE} = 5\text{ V}$ ,	-	1.06	-	$\mu\text{s}$
$t_r$	Current rise time	$R_L = 1\ \Omega$ , $R_G = 1\ \text{k}\Omega$ , $T_J = 150\text{ }^\circ\text{C}$ (see Figure 17. Test circuit for resistive load switching)	-	3.5	-	$\mu\text{s}$

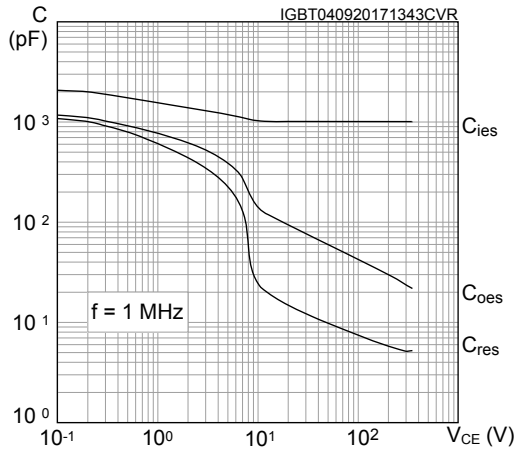
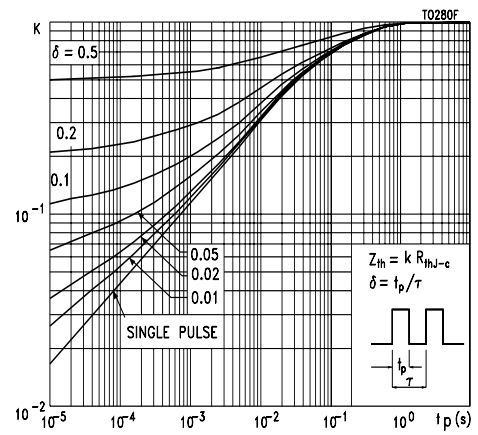
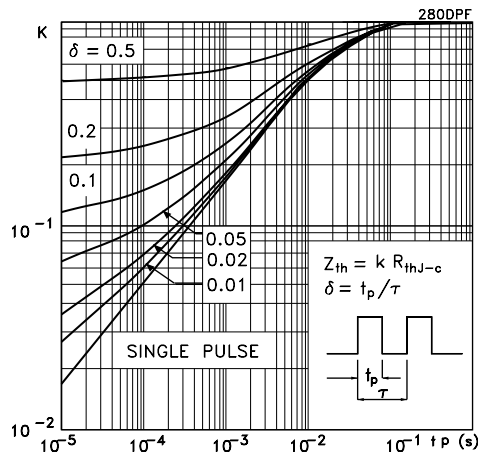
**Table 6. Inductive load switching characteristics**

Symbol	Parameter	Test conditions	Min.	Typ.	Max.	Unit
$t_{d(off)}$	Turn-off delay time	$V_{CC} = 300\text{ V}$ , $L = 1\ \text{mH}$ ,	-	4.6	-	$\mu\text{s}$
$t_f$	Current fall time	$I_C = 10\text{ A}$ , $V_{GE} = 5\text{ V}$ , $R_G = 1\ \text{k}\Omega$	-	8.4	-	$\mu\text{s}$
dV/dt	Turn-off voltage slope	(see Figure 16. Test circuit for inductive load switching)	-	165	-	$\text{V}/\mu\text{s}$
$t_{d(off)}$	Turn-off delay time	$V_{CC} = 300\text{ V}$ , $L = 1\ \text{mH}$ ,	-	4.7	-	$\mu\text{s}$
$t_f$	Current fall time	$I_C = 10\text{ A}$ , $V_{GE} = 5\text{ V}$ , $R_G = 1\ \text{k}\Omega$ , $T_J = 150\text{ }^\circ\text{C}$	-	9.8	-	$\mu\text{s}$
dV/dt	Turn-off voltage slope	(see Figure 16. Test circuit for inductive load switching)	-	116	-	$\text{V}/\mu\text{s}$

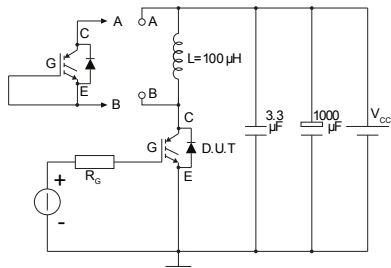
## 2.1 Electrical characteristics (curves)

**Figure 1.  $V_{CE(sat)}$  vs junction temperature ( $I_C = 6\text{ A}$ )**

**Figure 2.  $V_{CE(sat)}$  vs junction temperature ( $I_C = 10\text{ A}$ )**

**Figure 3. Self-clamped inductive switching current**

**Figure 4. Output characteristics ( $T_J = 25\text{ °C}$ )**

**Figure 5. Output characteristics ( $T_J = -40\text{ °C}$ )**

**Figure 6. Output characteristics ( $T_J = 175\text{ °C}$ )**


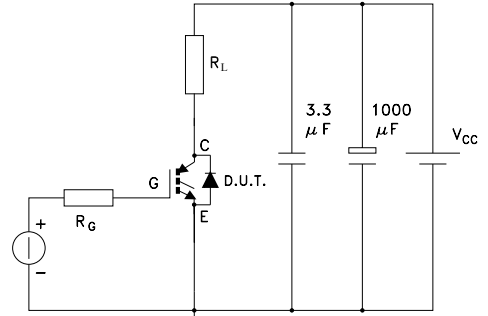
**Figure 7. Transfer characteristics**

**Figure 8. Collector current vs case temperature**

**Figure 9. Leakage current vs temperature**

**Figure 10. Normalized  $V_{CES(\text{clamped})}$  vs temperature**

**Figure 11. Normalized  $V_{GE(\text{th})}$  vs temperature**

**Figure 12. Gate charge vs gate-emitter voltage**


**Figure 13. Capacitance variations**

**Figure 14. Thermal impedance for D<sup>2</sup>PAK**

**Figure 15. Thermal impedance for DPAK**


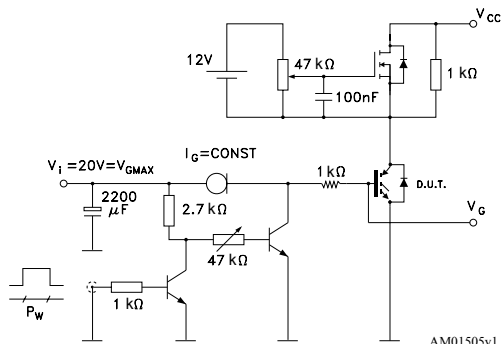
### 3 Test circuits

**Figure 16. Test circuit for inductive load switching**


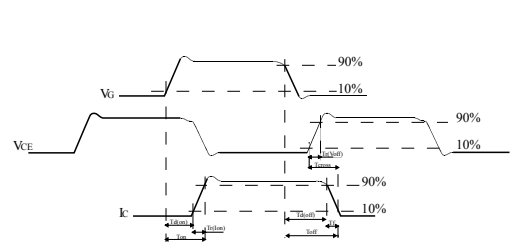
AM01504v1

**Figure 17. Test circuit for resistive load switching**


AM01504v2

**Figure 18. Gate charge test circuit**


AM01505v1

**Figure 19. Switching waveform**


AM01506v1

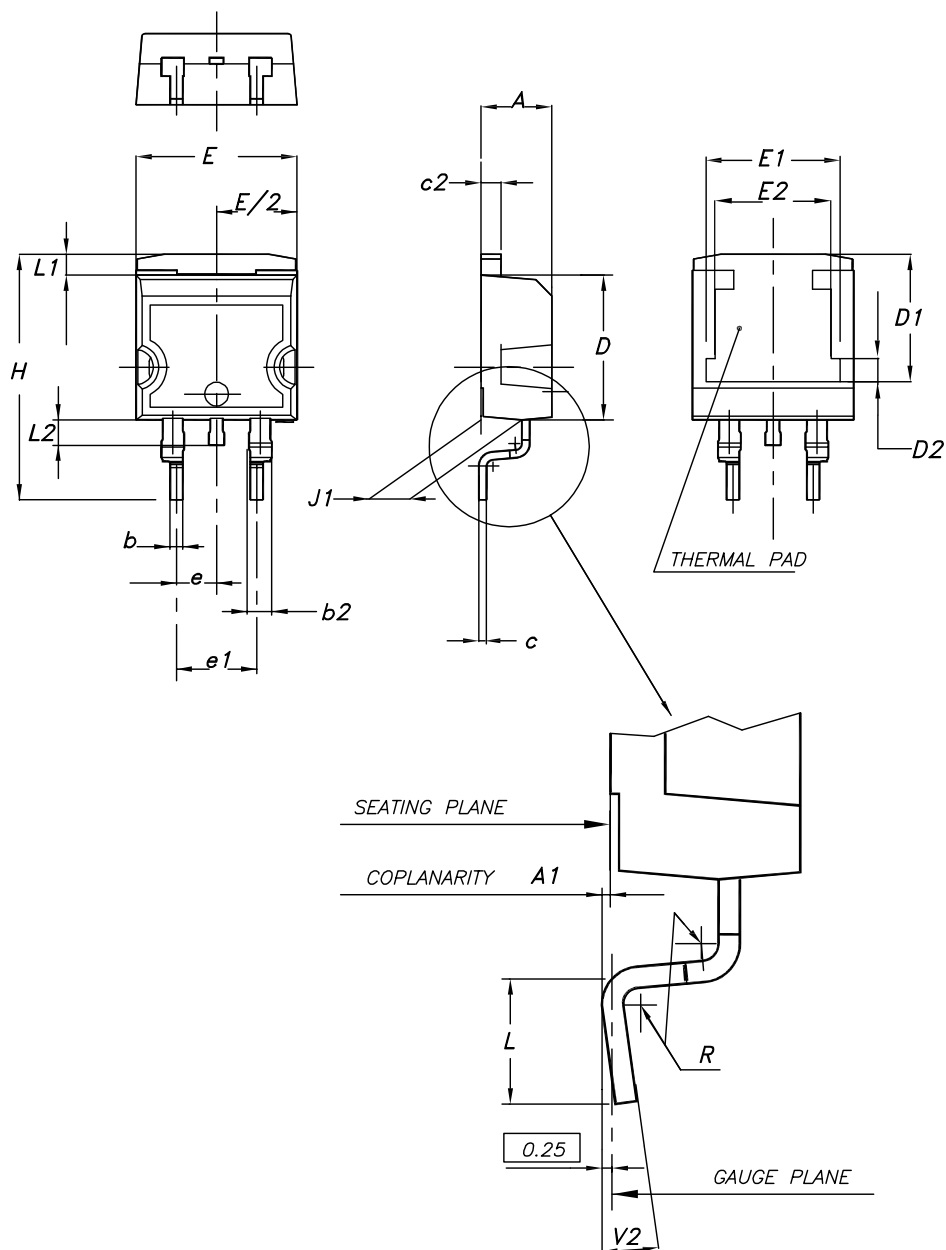


## 4 Package information

In order to meet environmental requirements, ST offers these devices in different grades of ECOPACK® packages, depending on their level of environmental compliance. ECOPACK® specifications, grade definitions and product status are available at: [www.st.com](http://www.st.com). ECOPACK® is an ST trademark.

### 4.1 D<sup>2</sup>PAK (TO-263) type A package information

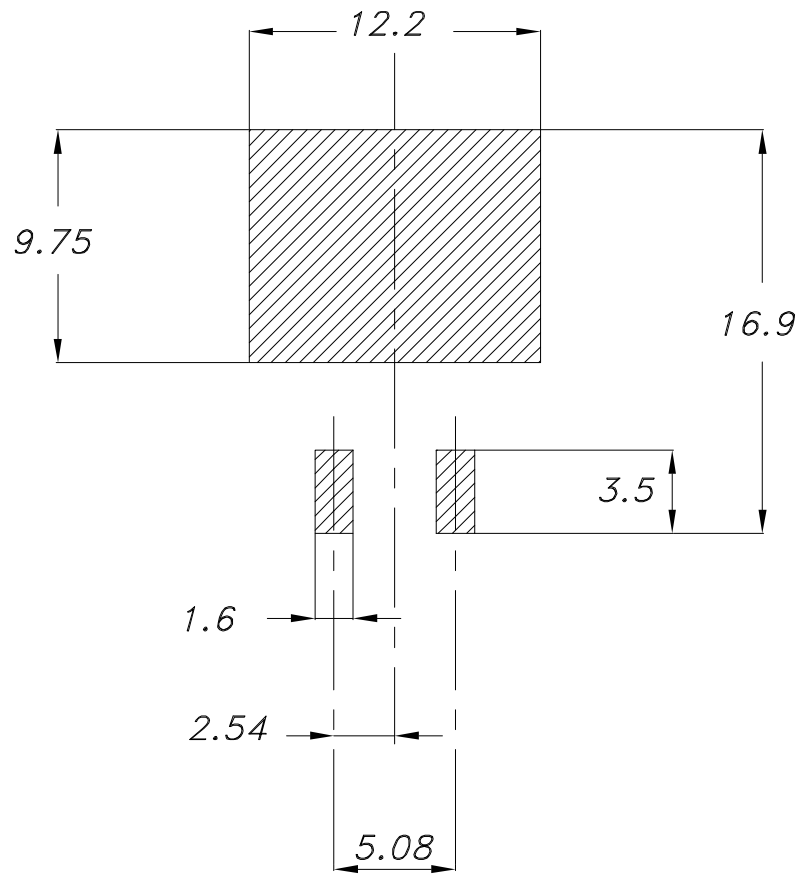
Figure 20. D<sup>2</sup>PAK (TO-263) type A package outline



0079457\_24

**Table 7. D<sup>2</sup>PAK (TO-263) type A package mechanical data**

Dim.	mm		
	Min.	Typ.	Max.
A	4.40		4.60
A1	0.03		0.23
b	0.70		0.93
b2	1.14		1.70
c	0.45		0.60
c2	1.23		1.36
D	8.95		9.35
D1	7.50	7.75	8.00
D2	1.10	1.30	1.50
E	10.00		10.40
E1	8.50	8.70	8.90
E2	6.85	7.05	7.25
e		2.54	
e1	4.88		5.28
H	15.00		15.85
J1	2.49		2.69
L	2.29		2.79
L1	1.27		1.40
L2	1.30		1.75
R		0.40	
V2	0°		8°

**Figure 21. D<sup>2</sup>PAK (TO-263) recommended footprint (dimensions are in mm)**


Footprint

**4.2 DPAK (TO-252) type A2 package information**

Figure 22. DPAK (TO-252) type A2 package outline



0068772\_type-A2\_rev24

**Table 8. DPAK (TO-252) type A2 mechanical data**

Dim.	mm		
	Min.	Typ.	Max.
A	2.20		2.40
A1	0.90		1.10
A2	0.03		0.23
b	0.64		0.90
b4	5.20		5.40
c	0.45		0.60
c2	0.48		0.60
D	6.00		6.20
D1	4.95	5.10	5.25
E	6.40		6.60
E1	5.10	5.20	5.30
e	2.16	2.28	2.40
e1	4.40		4.60
H	9.35		10.10
L	1.00		1.50
L1	2.60	2.80	3.00
L2	0.65	0.80	0.95
L4	0.60		1.00
R		0.20	
V2	0°		8°

Figure 23. DPAK (TO-252) recommended footprint (dimensions are in mm)

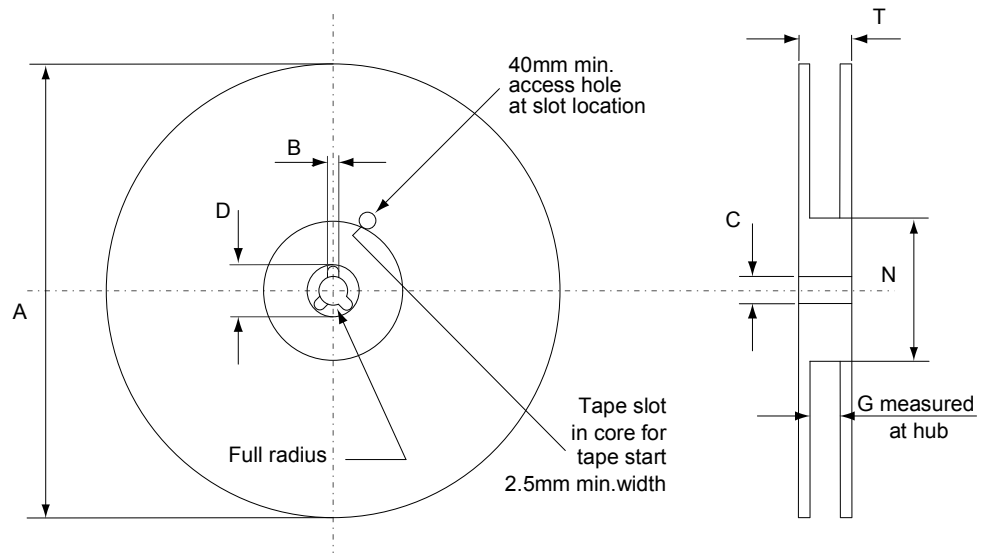


FP\_0068772\_24

### 4.3 D<sup>2</sup>PAK and DPAK packing information

**Figure 24. Tape outline**


AM08852v1

**Figure 25. Reel outline**


AM06038v1

**Table 9. D<sup>2</sup>PAK tape and reel mechanical data**

Tape			Reel			
Dim.	mm		Dim.	mm		
	Min.	Max.		Min.	Max.	
A0	10.5	10.7	A		330	
B0	15.7	15.9	B	1.5		
D	1.5	1.6	C	12.8	13.2	
D1	1.59	1.61	D	20.2		
E	1.65	1.85	G	24.4	26.4	
F	11.4	11.6	N	100		
K0	4.8	5.0	T		30.4	
P0	3.9	4.1	Base quantity Bulk quantity			
P1	11.9	12.1				1000
P2	1.9	2.1				1000
R	50					
T	0.25	0.35				
W	23.7	24.3				



**Table 10. DPAK tape and reel mechanical data**

Tape			Reel		
Dim.	mm		Dim.	mm	
	Min.	Max.		Min.	Max.
A0	6.8	7	A		330
B0	10.4	10.6	B	1.5	
B1		12.1	C	12.8	13.2
D	1.5	1.6	D	20.2	
D1	1.5		G	16.4	18.4
E	1.65	1.85	N	50	
F	7.4	7.6	T		22.4
K0	2.55	2.75			
P0	3.9	4.1	Base qty.		2500
P1	7.9	8.1	Bulk qty.		2500
P2	1.9	2.1			
R	40				
T	0.25	0.35			
W	15.7	16.3			

## Revision history

**Table 11. Document revision history**

Date	Revision	Changes
30-Oct-2015	1	First release.
01-Sep-2017	2	Modified <i>Table 2: "Absolute maximum ratings"</i> , <i>Table 3: "Thermal data"</i> , <i>Table 4: "Static characteristics"</i> and <i>Table 5: "Dynamic characteristics"</i> . Added <i>Section 2.1: "Electrical characteristics (curves)"</i> . Modified <i>Section 4: "Package information"</i> . Minor text changes.
06-Sep-2017	3	Modified <i>Figure 2: "<math>V_{CE(sat)}</math> vs. junction temperature (<math>I_C = 6.0\text{ A}</math>)"</i> , <i>Figure 4: "Self clamped inductive switching current vs. inductance"</i> and <i>Figure 11: "Normalized <math>V_{CES(clamped)}</math> vs. junction temperature"</i> . Minor text changes.
11-Sep-2017	4	Modified <i>Section 4.1: "D<sup>2</sup>PAK (TO-263) type A package information"</i> . Minor text changes.
02-Nov-2017	5	Updated <i>Table 4: "Static characteristics"</i> . Minor text changes
21-Feb-2018	6	Removed maturity status indication from cover page. The document status is production data. Updated <a href="#">Section 1 Electrical ratings</a> , <a href="#">Table 2. Thermal data</a> and <a href="#">Table 3. Static characteristics</a> . Minor text changes

## Contents

<b>1</b>	<b>Electrical ratings</b> .....	<b>2</b>
<b>2</b>	<b>Electrical characteristics</b> .....	<b>3</b>
<b>2.1</b>	Electrical characteristics (curves) .....	<b>5</b>
<b>3</b>	<b>Test circuits</b> .....	<b>8</b>
<b>4</b>	<b>Package information</b> .....	<b>9</b>
<b>4.1</b>	D <sup>2</sup> PAK (TO-263) type A package information .....	<b>9</b>
<b>4.2</b>	DPAK (TO-252) type A2 package information .....	<b>11</b>
<b>4.3</b>	D <sup>2</sup> PAK and DPAK packing information .....	<b>14</b>
	<b>Revision history</b> .....	<b>18</b>
	<b>Contents</b> .....	<b>19</b>
	<b>Disclaimer</b> .....	<b>20</b>

**IMPORTANT NOTICE – PLEASE READ CAREFULLY**

STMicroelectronics NV and its subsidiaries (“ST”) reserve the right to make changes, corrections, enhancements, modifications, and improvements to ST products and/or to this document at any time without notice. Purchasers should obtain the latest relevant information on ST products before placing orders. ST products are sold pursuant to ST’s terms and conditions of sale in place at the time of order acknowledgement.

Purchasers are solely responsible for the choice, selection, and use of ST products and ST assumes no liability for application assistance or the design of Purchasers’ products.

No license, express or implied, to any intellectual property right is granted by ST herein.

Resale of ST products with provisions different from the information set forth herein shall void any warranty granted by ST for such product.

ST and the ST logo are trademarks of ST. All other product or service names are the property of their respective owners.

Information in this document supersedes and replaces information previously supplied in any prior versions of this document.

© 2018 STMicroelectronics – All rights reserved



Компания «ЭлектроПласт» предлагает заключение долгосрочных отношений при поставках импортных электронных компонентов на взаимовыгодных условиях!

Наши преимущества:

- Оперативные поставки широкого спектра электронных компонентов отечественного и импортного производства напрямую от производителей и с крупнейших мировых складов;
- Поставка более 17-ти миллионов наименований электронных компонентов;
- Поставка сложных, дефицитных, либо снятых с производства позиций;
- Оперативные сроки поставки под заказ (от 5 рабочих дней);
- Экспресс доставка в любую точку России;
- Техническая поддержка проекта, помощь в подборе аналогов, поставка прототипов;
- Система менеджмента качества сертифицирована по Международному стандарту ISO 9001;
- Лицензия ФСБ на осуществление работ с использованием сведений, составляющих государственную тайну;
- Поставка специализированных компонентов (Xilinx, Altera, Analog Devices, Intersil, Interpoint, Microsemi, Aeroflex, Peregrine, Syfer, Eurofarad, Texas Instrument, Miteq, Cobham, E2V, MA-COM, Hittite, Mini-Circuits, General Dynamics и др.);

Помимо этого, одним из направлений компании «ЭлектроПласт» является направление «Источники питания». Мы предлагаем Вам помощь Конструкторского отдела:

- Подбор оптимального решения, техническое обоснование при выборе компонента;
- Подбор аналогов;
- Консультации по применению компонента;
- Поставка образцов и прототипов;
- Техническая поддержка проекта;
- Защита от снятия компонента с производства.



#### Как с нами связаться

**Телефон:** 8 (812) 309 58 32 (многоканальный)

**Факс:** 8 (812) 320-02-42

**Электронная почта:** [org@eplast1.ru](mailto:org@eplast1.ru)

**Адрес:** 198099, г. Санкт-Петербург, ул. Калинина, дом 2, корпус 4, литера А.