

EZ-USB SX2™ High Speed USB Interface Device

1. Features

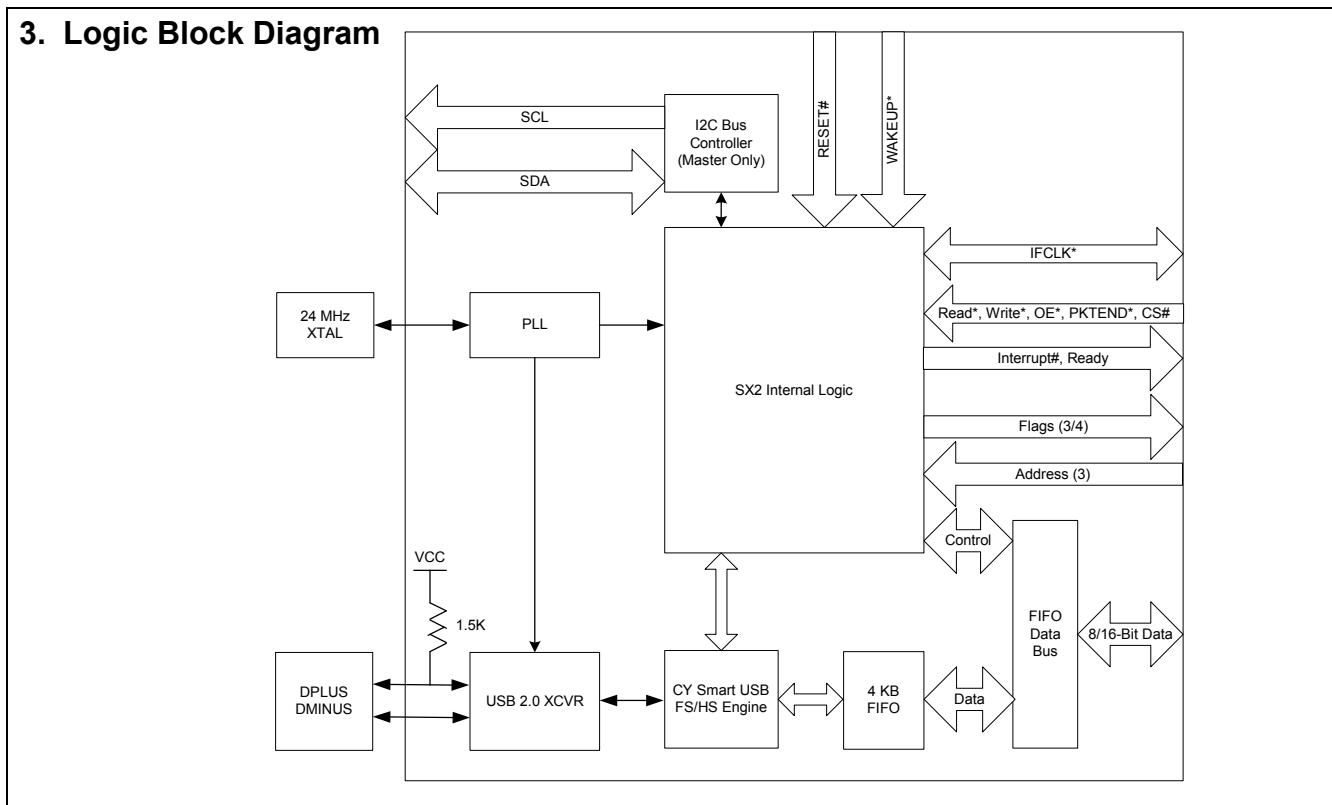
- USB 2.0-Certified Compliant
 - On the USB-IF Integrators List: Test ID Number 40000713
- Operates at High (480 Mbps) or Full (12 Mbps) Speed
- Supports Control Endpoint 0:
 - Used for handling USB device requests
- Supports Four Configurable Endpoints that share a 4-KB FIFO Space
 - Endpoints 2, 4, 6, 8 for application-specific control and data
- Standard 8- or 16-bit External Master Interface
 - Glueless interface to most standard microprocessors DSPs, ASICs, and FPGAs
 - Synchronous or Asynchronous interface
- Integrated Phase-locked Loop (PLL)
- 3.3V Operation, 5V Tolerant I/Os
- 56-pin SSOP and QFN Package
- Complies with most Device Class Specifications

2. Applications

- DSL modems
- ATA interface
- Memory card readers
- Legacy conversion devices
- Cameras
- Scanners
- Home PNA
- Wireless LAN
- MP3 players
- Networking
- Printers

The “Reference Designs” section of the Cypress web site, www.cypress.com, provides additional tools for typical USB applications. Each reference design comes complete with firmware source code and object code, schematics, and documentation.

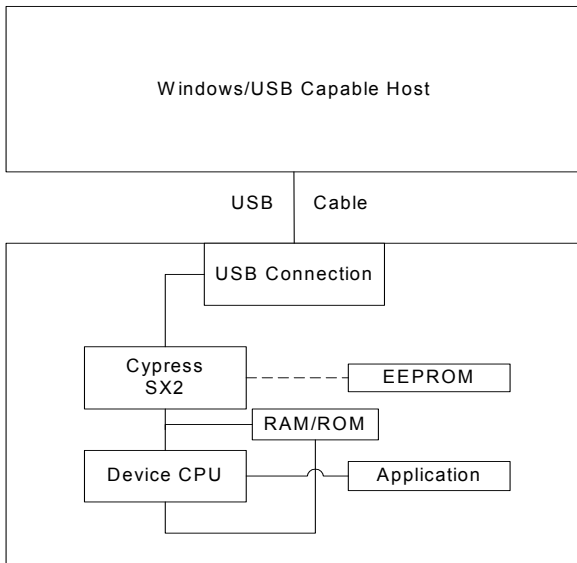
3. Logic Block Diagram



4. Introduction

The EZ-USB SX2™ USB interface device is designed to work with any external master, such as standard microprocessors, DSPs, ASICs, and FPGAs to enable USB 2.0 support for any peripheral design. SX2 has a built in USB transceiver and Serial Interface Engine (SIE), along with a command decoder for sending and receiving USB data. The controller has four endpoints that share a 4 KB FIFO space for maximum flexibility and throughput, and Control Endpoint 0. SX2 has three address pins and a selectable 8- or 16- bit data bus for command and data input or output.

Figure 4-1. Example USB System Diagram



5. Functional Overview

5.1 USB Signaling Speed

SX2 operates at two of the three rates defined in the *Universal Serial Bus Specification Revision 2.0*, dated April 27, 2000:

- Full speed, with a signaling bit rate of 12 Mbits/s
 - High speed, with a signaling bit rate of 480 Mbits/s.
- SX2 does not support the low speed signaling rate of 1.5 Mbits/s.

5.2 Buses

SX2 features:

- A selectable 8- or 16-bit bidirectional data bus
- An address bus for selecting the FIFO or Command Interface.

5.3 Boot Methods

During the power up sequence, internal logic of the SX2 checks for the presence of an I²C EEPROM.^[1,2] If it finds an EEPROM, it boots off the EEPROM. When the presence of an EEPROM is detected, the SX2 checks the value of first byte. If the first byte is found to be a 0xC4, the SX2 loads the next two bytes into the IFCONFIG and POLAR registers, respectively. If the fourth byte is also 0xC4, the SX2 enumerates using the descriptor in the EEPROM, then signals to the external master when enumeration is complete through an ENUMOK interrupt (See “Interrupt System” on page 3.). If no EEPROM is detected, the SX2 relies on the external master for the descriptors. After this descriptor information is received from the external master, the SX2 connects to the USB and enumerates.

5.3.1 EEPROM Organization

The valid sequence of bytes in the EEPROM are displayed in the following table.

Table 5-1. Descriptor Length Set to 0x06: Default Enumeration

| Byte Index | Description |
|------------|-------------------------------|
| 0 | 0xC4 |
| 1 | IFCONFIG |
| 2 | POLAR |
| 3 | 0xC4 |
| 4 | Descriptor Length (LSB):0x06 |
| 5 | Descriptor Length (MSB): 0x00 |
| 6 | VID (LSB) |
| 7 | VID (MSB) |
| 8 | PID (LSB) |
| 9 | PID (MSB) |
| 10 | DID (LSB) |
| 11 | DID (MSB) |

Table 5-2. Descriptor Length Not Set to 0x06

| Byte Index | Description |
|------------|-------------------------|
| 0 | 0xC4 |
| 1 | IFCONFIG |
| 2 | POLAR |
| 3 | 0xC4 |
| 4 | Descriptor Length (LSB) |
| 5 | Descriptor Length (MSB) |
| 6 | Descriptor[0] |
| 7 | Descriptor[1] |
| 8 | Descriptor[2] |

Notes

1. Because there is no direct way to detect which EEPROM type (single or double address) is connected, SX2 uses the EEPROM address pins A2, A1, and A0 to determine whether to send out one or two bytes of address. Single-byte address EEPROMs (24LC01, etc.) should be strapped to address 000 and double-byte EEPROMs (24LC64, etc.) should be strapped to address 001.
2. The SCL and SDA pins must be pulled up for this detection method to work properly, even if an EEPROM is not connected. Typical pull up values are 2.2K–10K Ohms.

- **IFCONFIG:** The IFCONFIG byte contains the settings for the IFCONFIG register. The IFCONFIG register bits are defined in [IFCONFIG Register 0x01](#) on page 17. If the external master requires an interface configuration different from the default, that interface can be specified by this byte.
- **POLAR:** The Polar byte contains the polarity of the FIFO flag pin signals. The POLAR register bits are defined in [POLAR Register 0x04](#) on page 18. If the external master requires signal polarity different from the default, the polarity can be specified by this byte.
- **Descriptor:** The Descriptor byte determines if the SX2 loads the descriptor from the EEPROM. If this byte = 0xC4, the SX2 loads the descriptor starting with the next byte. If this byte does not equal 0xC4, the SX2 waits for descriptor information from the external master.
- **Descriptor Length:** The Descriptor length is within the next two bytes and indicate the length of the descriptor contained within the EEPROM. The length is loaded least significant byte (LSB) first, then most significant byte (MSB).
- **Byte Index 6 Starts Descriptor Information:** The descriptor can be a maximum of 500 bytes.

5.3.2 Default Enumeration

An optional default descriptor can be used to simplify enumeration. Only the Vendor ID (VID), Product ID (PID), and Device ID (DID) need to be loaded by the SX2 for it to enumerate with this default setup. This information is either loaded from an EEPROM in the case when the presence of an EEPROM ([Table 5-1](#)) is detected, or the external master may simply load a VID, PID, and DID when no EEPROM is present. In this default enumeration, the SX2 uses the in-built default descriptor (refer to [Default Descriptor](#) on page 37).

If the descriptor length loaded from the EEPROM is 6, SX2 loads a VID, PID, and DID from the EEPROM and enumerate. The VID, PID, and DID are loaded LSB, then MSB. For example, if the VID, PID, and DID are 0x0547, 0x1002, and 0x0001, respectively, then the bytes should be stored as:

- 0x47, 0x05, 0x02, 0x10, 0x01, 0x00.

If there is no EEPROM, SX2 waits for the external master to provide the descriptor information. To use the default descriptor, the external master must write to the appropriate register (0x30) with descriptor length equal to 6 followed by the VID, PID, and DID. Refer to [Default Enumeration](#) on page 8 for further information on how the external master may load the values.

The default descriptor enumerates the following endpoints:

- Endpoint 2: Bulk out, 512 bytes in high speed mode, 64 bytes in full speed mode
- Endpoint 4: Bulk out, 512 bytes in high speed mode, 64 bytes in full speed mode
- Endpoint 6: Bulk in, 512 bytes in high speed mode, 64 bytes in full speed mode
- Endpoint 8: Bulk in, 512 bytes in high speed mode, 64 bytes in full speed mode.

The entire default descriptor is listed in [Default Descriptor](#) on page 37 of this data sheet.

5.4 Interrupt System

5.4.1 Architecture

The SX2 provides an output signal that indicates to the external master that the SX2 has an interrupt condition, or that the data from a register read request is available. The SX2 has six interrupt sources: SETUP, EP0BUF, FLAGS, ENUMOK, BUSACTIVITY, and READY. Each interrupt can be enabled or disabled by setting or clearing the corresponding bit in the INTENABLE register.

When an interrupt occurs, the INT# pin is asserted, and the corresponding bit is set in the Interrupt Status Byte. The external master reads the Interrupt Status Byte by strobing SLRD/SLOE. This presents the Interrupt Status Byte on the lower portion of the data bus (FD[7:0]). Reading the Interrupt Status Byte automatically clears the interrupt. Only one interrupt request occurs at a time; the SX2 buffers multiple pending interrupts.

If the external master has initiated a register read request, the SX2 buffers interrupts until the external master has read the data. This insures that after a read sequence has begun, the next interrupt that is received from the SX2 indicates that the corresponding data is available. Following is a description of this INTENABLE register.

5.4.2 INTENABLE Register Bit Definition

Bit 7: SETUP

If this interrupt is enabled, and the SX2 receives a setup packet from the USB host, the SX2 asserts the INT# pin and sets bit 7 in the Interrupt Status Byte. This interrupt only occurs if the setup request is not one that the SX2 automatically handles. For complete details on how to handle the SETUP interrupt, refer to [Endpoint 0](#) on page 8 of this data sheet.

Bit 6: EP0BUF

If this interrupt is enabled, and the Endpoint 0 buffer becomes available to the external master for read or write operations, the SX2 asserts the INT# pin and sets bit 6 in the Interrupt Status Byte. This interrupt is used for handling the data phase of a setup request. For complete details on how to handle the EP0BUF interrupt, refer to [Endpoint 0](#) on page 8 of this data sheet.

Bit 5: FLAGS

If this interrupt is enabled, and any OUT endpoint FIFO's state changes from empty to not empty and from not empty to empty, the SX2 asserts the INT# pin and sets bit 5 in the Interrupt Status Byte. This is an alternate way to monitor the status of OUT endpoint FIFOs instead of using the FLAGA-FLAGD pins, and can be used to indicate when an OUT packet has been received from the host.

Bit 2: ENUMOK

If this interrupt is enabled and the SX2 receives a SET_CONFIGURATION request from the USB host, the SX2 asserts the INT# pin and sets bit 2 in the Interrupt Status Byte. This event signals the completion of the SX2 enumeration process.

Bit 1: BUSACTIVITY

If this interrupt is enabled, and the SX2 detects either an absence or resumption of activity on the USB bus, the SX2 asserts the INT# pin and sets bit 1 in the Interrupt Status Byte. This usually indicates that the USB host is either suspending or resuming or that a self-powered device has been plugged in or unplugged. If the SX2 is bus-powered, the external master must put the SX2 into a low power mode after detecting a USB suspend condition to be USB-compliant.

Bit 0: READY

If this interrupt is enabled, bit 0 in the Interrupt Status Byte is set when the SX2 has powered up and performed a self-test. The external master should always wait for this interrupt before trying to read or write to the SX2, unless an external EEPROM with a valid descriptor is present. If an external EEPROM with a valid descriptor is present, the ENUMOK interrupt occurs instead of the READY interrupt after power up. A READY interrupt also occurs if the SX2 is awakened from a low power mode via the WAKEUP pin. This READY interrupt indicates that the SX2 is ready for commands or data.

5.4.3 Qualify with READY Pin on Register Reads

It is true that all interrupts are buffered after a command read request has been initiated. However, in very rare conditions, there might be a situation when there is a pending interrupt already, when a read request is initiated by the external master. In this case it is the interrupt status byte that is output when the external master asserts the SLRD. So, a condition exists where the Interrupt Status Data Byte can be mistaken for the result of a command register read request. In order to get around this possible race condition, the first thing that the external master must do on getting an interrupt from the SX2 is check the status

of the READY pin. If the READY is low at the time the INT# was asserted, the data that is output when the external master strobbs the SLRD is the interrupt status byte (not the actual data requested). If the READY pin is high at the time when the interrupt is asserted, the data output on strobing the SLRD is the actual data byte requested by the external master. So it is important that the state of the READY pin be checked at the time the INT# is asserted to ascertain the cause of the interrupt.

5.5 Resets and Wakeup
5.5.1 Reset

An input pin (RESET#) resets the chip. The internal PLL stabilizes after V_{CC} has reached 3.3V. Typically, an external RC network ($R = 100 \text{ KOHms}$, $C = 0.1 \mu\text{F}$) is used to provide the RESET# signal. The Clock must be in a stable state for at least 200 μs before the RESET is released.

5.5.2 USB Reset

When the SX2 detects a USB Reset condition on the USB bus, SX2 handles it like any other enumeration sequence. This means that SX2 enumerates again and assert the ENUMOK interrupt to let the external master know that it has enumerated. The external master is then responsible for configuring the SX2 for the application. The external master should also check whether SX2 enumerated at High or Full speed in order to adjust the EPxPKTLENH/L register values accordingly. The last initialization task is for the external master to flush all of the SX2 FIFOs.

5.5.3 Wakeup

The SX2 exits its low power state when one of the following events occur:

- USB bus signals a resume. The SX2 asserts a BUSACTIVITY interrupt.
- The external master asserts the WAKEUP pin. The SX2 asserts a READY interrupt^[3].

5.6 Endpoint RAM
5.6.1 Size

- Control endpoint: 64 Bytes: 1×64 bytes (Endpoint 0).
- FIFO Endpoints: 4096 Bytes: 8×512 bytes (Endpoint 2, 4, 6, 8).

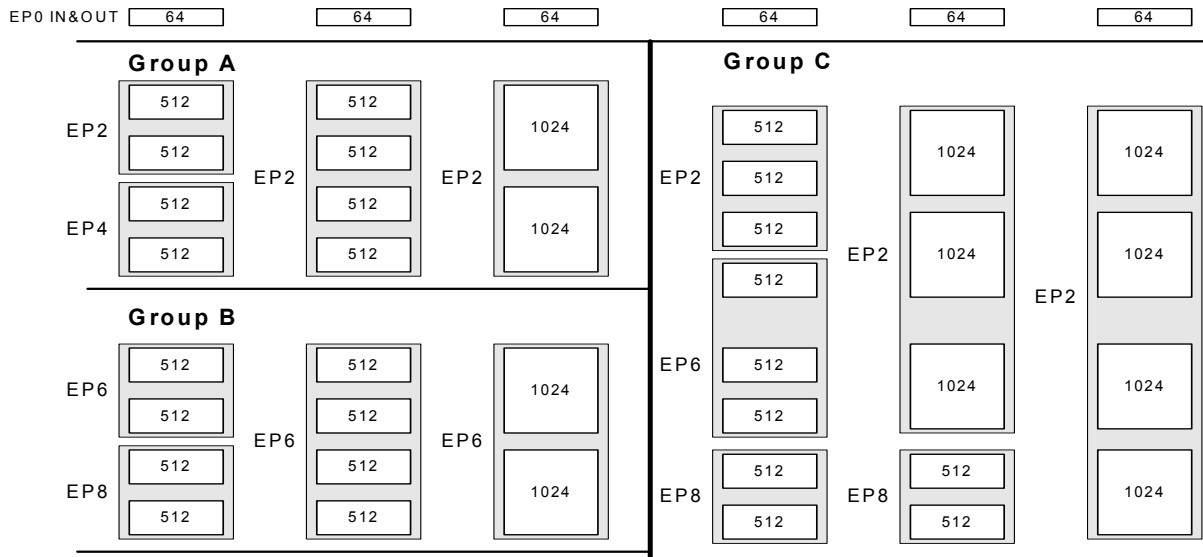
Organization

- EP0—Bidirectional Endpoint 0, 64-byte buffer.
- EP2, 4, 6, 8—Eight 512-byte buffers, bulk, interrupt, or isochronous. EP2 and EP6 can be either double-, triple-, or quad-buffered. EP4 and EP8 can only be double-buffered. For high speed endpoint configuration options, see [Figure 8-1](#) on page 11.

Note

3. If the descriptor loaded is set for remote wakeup enabled and the host does a set feature remote wakeup enabled, then the SX2 logic performs RESUME signalling after a WAKEUP interrupt.

Figure 5-1. Endpoint Configurations (High Speed Mode)



Endpoint 0 is the same for every configuration as it serves as the CONTROL endpoint. For Endpoints 2, 4, 6, and 8, refer to Figure 8-1. on page 11. Endpoints 2, 4, 6, and 8 may be configured by choosing either:

- One configuration from Group A and one from Group B
- One configuration from Group C.

Some example endpoint configurations are as follows.

- EP2: 1024 bytes double-buffered, EP6: 512 bytes quad-buffered.
- EP2: 512 bytes double-buffered, EP4: 512 bytes double-buffered, EP6: 512 bytes double-buffered, EP8: 512 bytes double buffered.
- EP2: 1024 bytes quad-buffered.

5.6.2 Default Endpoint Memory Configuration

At power-on-reset, the endpoint memories are configured as follows:

- EP2: Bulk OUT, 512 bytes/packet, 2x buffered.
- EP4: Bulk OUT, 512 bytes/packet, 2x buffered.
- EP6: Bulk IN, 512 bytes/packet, 2x buffered.
- EP8: Bulk IN, 512 bytes/packet, 2x buffered.

5.7 External Interface

The SX2 presents two interfaces to the external master.

1. A FIFO interface through which EP2, 4, 6, and 8 data flows.
2. A command interface, which is used to set up the SX2, read status, load descriptors, and access Endpoint 0.

5.7.1 Architecture

The SX2 slave FIFO architecture has eight 512-byte blocks in the endpoint RAM that directly serve as FIFO memories and are controlled by FIFO control signals (IFCLK, CS#, SLRD, SLWR, SLOE, PKTEND, and FIFOADR[2:0]).

The SX2 command interface is used to set up the SX2, read status, load descriptors, and access Endpoint 0. The command interface has its own READY signal for gating writes, and an INT# signal to indicate that the SX2 has data to be read, or that an interrupt event has occurred. The command interface uses the same control signals (IFCLK, CS#, SLRD, SLWR, SLOE, and FIFOADR[2:0]) as the FIFO interface, except for PKTEND.

5.7.2 Control Signals

FIFOADDR Lines

The SX2 has three address pins that are used to select either the FIFOs or the command interface. The addresses correspond to the following table.

Table 5-3. FIFO Address Lines Setting

| Address/Selection | FIFOADR2 | FIFOADR1 | FIFOADR0 |
|-------------------|----------|----------|----------|
| FIFO2 | 0 | 0 | 0 |
| FIFO4 | 0 | 0 | 1 |
| FIFO6 | 0 | 1 | 0 |
| FIFO8 | 0 | 1 | 1 |
| COMMAND | 1 | 0 | 0 |
| RESERVED | 1 | 0 | 1 |
| RESERVED | 1 | 1 | 0 |
| RESERVED | 1 | 1 | 1 |

The SX2 accepts either an internally derived clock (30 MHz or 48 MHz) or externally supplied clock (IFCLK, 5 to 50 MHz), and SLRD, SLWR, SLOE, PKTEND, CS#, FIFOADR[2:0] signals from an external master. The interface can be selected for 8- or 16-bit operation by an internal configuration bit, and an Output Enable signal SLOE enables the data bus driver of the selected width. The external master must ensure that the output enable signal is inactive when writing data to the SX2. The interface can operate either asynchronously where the SLRD and SLWR signals act directly as strobes, or synchronously where the SLRD and SLWR act as clock qualifiers. The optional CS# signal tristates the data bus and ignore SLRD, SLWR, PKTEND.

The external master reads from OUT endpoints and writes to IN endpoints, and reads from or writes to the command interface.

Read: SLOE and SLRD

In synchronous mode, the FIFO pointer is incremented on each rising edge of IFCLK while SLRD is asserted. In asynchronous mode, the FIFO pointer is incremented on each asserted-to-deasserted transition of SLRD.

SLOE is a data bus driver enable. When SLOE is asserted, the data bus is driven by the SX2.

Write: SLWR

In synchronous mode, data on the FD bus is written to the FIFO (and the FIFO pointer is incremented) on each rising edge of IFCLK while SLWR is asserted. In asynchronous mode, data on the FD bus is written to the FIFO (and the FIFO pointer is incremented) on each asserted-to-deasserted transition of SLWR.

PKTEND

PKTEND commits the current buffer to USB. To send a short IN packet (one which has not been filled to max packet size determined by the value of PL[X:0] in EPxPKTLENH/L), the external master strobes the PKTEND pin.

All these interface signals have a default polarity of low. In order to change the polarity of PKTEND pin, the master may write to the POLAR register anytime. In order to switch the polarity of the SLWR/SLRD/SLOE, the master must set the appropriate bits 2, 3 and 4 respectively in the FIFOPINPOLAR register located at XDATA space 0xE609. Please note that the SX2 powers up with the polarities set to low. [POLAR Register 0x04](#) on page 18 provides further information on how to access this register located at XDATA space.

5.7.3 IFCLK

The IFCLK pin can be configured to be either an input (default) or an output interface clock. Bits IFCONFIG[7:4] define the behavior of the interface clock. To use the SX2's internally-derived 30- or 48 MHz clock, set IFCONFIG.7 to 1 and set IFCONFIG.6 to 0 (30 MHz) or to 1 (48 MHz). To use an externally supplied clock, set IFCONFIG.7=0 and drive the IFCLK pin (5 MHz to 50 MHz). The input or output IFCLK signal can be inverted by setting IFCONFIG.4=1.

5.7.4 FIFO Access

An external master can access the slave FIFOs either asynchronously or synchronously:

- Asynchronous—SLRD, SLWR, and PKTEND pins are strobes.
- Synchronous—SLRD, SLWR, and PKTEND pins are enables for the IFCLK clock pin.

An external master accesses the FIFOs through the data bus, FD [15:0]. This bus can be either 8- or 16-bits wide; the width is selected via the WORDWIDE bit in the EPxPKTLENH/L registers. The data bus is bidirectional, with its output drivers controlled by the SLOE pin. The FIFOADR[2:0] pins select which of the four FIFOs is connected to the FD [15:0] bus, or if the command interface is selected.

5.7.5 FIFO Flag Pins Configuration

The FIFO flags are FLAGA, FLAGB, FLAGC, and FLAGD. These FLAGx pins report the status of the FIFO selected by the FIFOADR[2:0] pins. At reset, these pins are configured to report the status of the following:

- FLAGA reports the status of the programmable flag.
- FLAGB reports the status of the full flag.
- FLAGC reports the status of the empty flag.
- FLAGD defaults to the CS# function.

The FIFO flags can either be indexed or fixed. Fixed flags report the status of a particular FIFO regardless of the value on the FIFOADR [2:0] pins. Indexed flags report the status of the FIFO selected by the FIFOADR [2:0]pins.^[4]

5.7.6 Default FIFO Programmable Flag Setup

By default, FLAGA is the Programmable Flag (PF) for the endpoint being pointed to by the FIFOADR[2:0] pins. For EP2 and EP4, the default endpoint configuration is BULK, OUT, 512, 2x; the PF pin asserts when the entire FIFO has ≥ 512 bytes. For EP6 and EP8, the default endpoint configuration is BULK, IN, 512, 2x, and the PF pin asserts when the entire FIFO has less than/equal to 512 bytes. In other words, EP6/8 report a half-empty state, and EP2/4 report a half-full state.

5.7.7 FIFO Programmable Flag (PF) Setup

Each FIFO's programmable-level flag (PF) asserts when the FIFO reaches a user-defined fullness threshold. That threshold is configured as follows:

1. For OUT packets: The threshold is stored in PFC12:0. The PF is asserted when the number of bytes *in the entire FIFO* is less than/equal to (DECIS = 0) or greater than/equal to (DECIS = 1) the threshold.
2. For IN packets, with PKTSTAT = 1: The threshold is stored in PFC9:0. The PF is asserted when the number of bytes written *into the current packet in the FIFO* is less than/equal to (DECIS = 0) or greater than/equal to (DECIS = 1) the threshold.
3. For IN packets, with PKTSTAT = 0: The threshold is stored in two parts: PKTS2:0 holds the number of committed packets, and PFC9:0 holds the number of bytes in the current packet. The PF is asserted when the FIFO is at or less full than (DECIS = 0), or at or more full than (DECIS = 1), the threshold.

Note

4. In indexed mode, the value of the FLAGx pins is indeterminate except when addressing a FIFO (FIFOADR[2:0]={000,001,010,011}).

5.7.8 Command Protocol

An address of [1 0 0] on FIFOADR [2:0] selects the command interface. The command interface is used to write to and read from the SX2 registers and the Endpoint 0 buffer, as well as the descriptor RAM. Command read and write transactions occur over FD[7:0] only. Each byte written to the SX2 is either an address or a data byte, as determined by bit7. If bit7 = 1, then the byte is considered an address byte. If bit7 = 0, then the byte is considered a data byte. If bit7 = 1, then bit6 determines whether the address byte is a read request or a write request. If bit6 = 1, then the byte is considered a read request. If bit6 = 0 then the byte is considered a write request. Bits [5:0] hold the register address of the request. The format of the command address byte is shown in Table 5-4.

Table 5-4. Command Address Byte

| Address/Data# | Read/Write# | A5 | A4 | A3 | A2 | A1 | A0 |
|---------------|-------------|-------|-------|-------|-------|-------|-------|
| Bit 7 | Bit 6 | Bit 5 | Bit 4 | Bit 3 | Bit 2 | Bit 1 | Bit 0 |
| 0 | X | X | X | D7 | D6 | D5 | D4 |

Each Write request is followed by two or more data bytes. If another address byte is received before both data bytes are received, the SX2 ignores the first address and any incomplete data transfers. The format for the data bytes is shown in Table 5-5 and Table 5-6. Some registers take a series of bytes. Each byte is transferred using the same protocol.

Table 5-5. Command Data Byte One

| Bit 7 | Bit 6 | Bit 5 | Bit 4 | Bit 3 | Bit 2 | Bit 1 | Bit 0 |
|-------|-------|-------|-------|-------|-------|-------|-------|
| 0 | X | X | X | D7 | D6 | D5 | D4 |

Table 5-6. Command Data Byte Two

| Bit 7 | Bit 6 | Bit 5 | Bit 4 | Bit 3 | Bit 2 | Bit 1 | Bit 0 |
|-------|-------|-------|-------|-------|-------|-------|-------|
| 0 | X | X | X | D3 | D2 | D1 | D0 |

The first command data byte contains the upper nibble of data, and the second command byte contains the lower nibble of data.

Write Request Example

Prior to writing to a register, two conditions must be met: FIFOADR[2:0] must hold [1 0 0], and the Ready line must be HIGH. The external master should not initiate a command if the READY pin is not in a High state.

Example: to write the byte <10110000> into the IFCONFIG register (0x01), first send a command address byte as follows.

Table 5-7. Command Address Write Byte

| Address/Data# | Read/Write# | A5 | A4 | A3 | A2 | A1 | A0 |
|---------------|-------------|----|----|----|----|----|----|
| 1 | 0 | 0 | 0 | 0 | 0 | 0 | 1 |

- The first bit signifies an address transfer.
- The second bit signifies that this is a write command.
- The next six bits represent the register address (000001 binary = 0x01 hex).

After the byte has been received the SX2 pulls the READY pin low to inform the external master not to send any more information. When the SX2 is ready to receive the next byte, the SX2 pulls the READY pin high again. This next byte, the upper nibble of the data byte, is written to the SX2 as follows.

Table 5-8. Command Data Write Byte One

| Address/Data# | Don't Care | Don't Care | Don't Care | D7 | D6 | D5 | D4 |
|---------------|------------|------------|------------|----|----|----|----|
| 0 | X | X | X | 1 | 0 | 1 | 1 |

- The first bit signifies that this is a data transfer.
- The next three are don't care bits.
- The next four bits hold the upper nibble of the transferred byte.

After the byte has been received the SX2 pulls the READY pin low to inform the external master not to send any more information. When the SX2 is ready to receive the next byte, the SX2 pulls the READY pin high again. This next byte, the lower nibble of the data byte is written to the SX2.

Table 5-9. Command Data Write Byte Two

| Address/Data# | Don't Care | Don't Care | Don't Care | D3 | D2 | D1 | D0 |
|---------------|------------|------------|------------|----|----|----|----|
| 0 | X | X | X | 0 | 0 | 0 | 0 |

At this point the entire byte <10110000> is transferred to register 0x01 and the write sequence is complete.

Read Request Example

The Read cycle is simpler than the write cycle. The Read cycle consists of a read request from the external master to the SX2. For example, to read the contents of register 0x01, a command address byte is written to the SX2 as follows.

Table 5-10. Command Address Read Byte

| Address/Data# | Read/Write# | A5 | A4 | A3 | A2 | A1 | A0 |
|---------------|-------------|----|----|----|----|----|----|
| 1 | 1 | 0 | 0 | 0 | 0 | 0 | 1 |

When the data is ready to be read, the SX2 asserts the INT# pin to tell the external master that the data it requested is waiting on FD[7:0].^[5]

Note

5. An important note: Once the SX2 receives a Read request, the SX2 allocates the interrupt line solely for the read request. If one of the six interrupt sources described in [Interrupt System](#) on page 3 is asserted, the SX2 buffers that interrupt until the read request completes.

6. Enumeration

The SX2 has two modes of enumeration. The first mode is automatic through EEPROM boot load, as described in [Boot Methods](#) on page 2. The second method is a manual load of the descriptor or VID, PID, and DID as described in the following section.

6.1 Standard Enumeration

The SX2 has 500 bytes of descriptor RAM into which the external master may write its descriptor. The descriptor RAM is accessed through register 0x30. To load a descriptor, the external master does the following:

- Initiate a Write Request to register 0x30.
- Write two bytes (four command data transfers) that define the length of the entire descriptor about to be transferred. The LSB is written first, followed by the MSB.^[6]
- Write the descriptor, one byte at a time until complete.^[6] Note: the register address is only written once.

After the entire descriptor has been transferred, the SX2 floats the pull up resistor connected to D+, and parse through the descriptor to locate the individual descriptors. After the SX2 has parsed the entire descriptor, the SX2 connects the pull up resistor and enumerate automatically. When enumeration is complete, the SX2 notifies the external master with an ENUMOK interrupt.

The format and order of the descriptor should be as follows (see [Default Descriptor](#) on page 37 for an example):

- Device.
- Device qualifier.
- High speed configuration, high speed interface, high speed endpoints.
- Full speed configuration, full speed interface, full speed endpoints.
- String.

The SX2 can be set to run in full speed only mode. To force full speed only enumeration write a 0x02 to the unindexed register CT1 at address 0xE6FB before downloading the descriptors. This disables the chirp mechanism forcing the SX2 to come up in full speed only mode after the descriptors are loaded. The CT1 register can be accessed using the unindexed register mechanism. Examples of writing to unindexed registers are shown in [Resetting Data Toggle](#) on page 9. Each write consists of a command write with the target register followed by the write of the upper nibble of the value followed by the write of the lower nibble of the value.

Note

6. These and all other data bytes must conform to the command protocol.

6.2 Default Enumeration

The external master may simply load a VID, PID, and DID and use the default descriptor built into the SX2. To use the default descriptor, the descriptor length described in the previous section must equal 6. After the external master has written the length, the VID, PID, and DID must be written LSB, then MSB. For example, if the VID, PID, and DID are 0x04B4, 0x1002, and 0x0001 respectively, then the external master does the following:

- Initiates a Write Request to register 0x30.
- Writes two bytes (four command data transfers) that define the length of the entire descriptor about to be transferred. In this case, the length is always six.
- Writes the VID, PID, and DID bytes: 0xB4, 0x04, 0x02, 0x10, 0x01, 0x00 (in nibble format per the command protocol).

The default descriptor is listed in [Default Descriptor](#) on page 37. The default descriptor can be used as a starting point for a custom descriptor.

7. Endpoint 0

The SX2 automatically responds to USB chapter 9 requests without any external master intervention. If the SX2 receives a request to which it cannot respond automatically, the SX2 notifies the external master. The external master then has the choice of responding to the request or stalling.

After the SX2 receives a setup packet to which it cannot respond automatically, the SX2 asserts a SETUP interrupt. After the external master reads the Interrupt Status Byte to determine that the interrupt source was the SETUP interrupt, it can initiate a read request to the SETUP register, 0x32. When the SX2 sees a read request for the SETUP register, it presents the first byte of setup data to the external master. Each additional read request presents the next byte of setup data, until all eight bytes have been read.

The external master can stall this request at this or any other time. To stall a request, the external master initiates a write request for the SETUP register, 0x32, and writes any non-zero value to the register.

If this setup request has a data phase, the SX2 then interrupts the external master with an EP0BUF interrupt when the buffer becomes available. The SX2 determines the direction of the setup request and interrupts when either:

- IN: the Endpoint 0 buffer becomes available to write to, or
- OUT: the Endpoint 0 buffer receives a packet from the USB host.

For an IN setup transaction, the external master can write up to 64 bytes at a time for the data phase. The steps to write a packet are as follows:

1. Wait for an EP0BUF interrupt, indicating that the buffer is available.
2. Initiate a write request for register 0x31.
3. Write one data byte.
4. Repeat steps 2 and 3 until either all the data or 64 bytes have been written, whichever is less.
5. Write the number of bytes in this packet to the byte count register, 0x33.

To send more than 64 bytes, the process is repeated. The SX2 internally stores the length of the data phase that was specified in the wLength field (bytes 6,7) of the setup packet. To send less than the requested amount of data, the external master writes a packet that is less than 64 bytes, or if a multiple of 64, the external master follows the data with a zero-length packet. When the SX2 sees a short or zero-length packet, it completes the setup transfer by automatically completing the handshake phase. The SX2 does not enable more data than the wLength field specified in the setup packet. Note: the PKTEND pin does not apply to Endpoint 0. The only way to send a short or zero length packet is by writing to the byte count register with the appropriate value.

For an OUT setup transaction, the external master can read each packet received from the USB host during the data phase. The steps to read a packet are as follows:

1. Wait for an EP0BUF interrupt, indicating that a packet was received from the USB host into the buffer.
2. Initiate a read request for the byte count register, 0x33. This indicates the amount of data received from the host.
3. Initiate a read request for register 0x31.
4. Read one byte.
5. Repeat steps 3 and 4 until the number of bytes specified in the byte count register has been read.

To receive more than 64 bytes, the process is repeated. The SX2 internally stores the length of the data phase that was specified in the wLength field of the setup packet (bytes 6,7). When the SX2 sees that the specified number of bytes have been received, it completes the set up transfer by automatically completing the handshake phase. If the external master does not wish to receive the entire transfer, it can stall the transfer.

If the SX2 receives another setup packet before the current transfer has completed, it interrupts the external master with another SETUP interrupt. If the SX2 receives a setup packet with no data phase, the external master can accept the packet and complete the handshake phase by writing zero to the byte count register.

The SX2 automatically responds to all USB standard requests covered in chapter 9 of the USB 2.0 specification except the Set/Clear Feature Endpoint requests. When the host issues a Set Feature or a Clear feature request, the SX2 triggers a SETUP interrupt to the external master. The USB spec requires that the device respond to the Set endpoint feature request by doing the following:

- Set the STALL condition on that endpoint.

The USB spec requires that the device respond to the Clear endpoint feature request by doing the following:

- Reset the Data Toggle for that endpoint
- Clear the STALL condition of that endpoint.

The register that is used to reset the data toggle TOGCTL (located at XDATA location 0xE683) is not an index register that can be addressed by the command protocol presented in [Command Protocol](#) on page 7. The following section provides further information on this register bits and how to reset the data toggle accordingly using a different set of command protocol sequence.

7.1 Resetting Data Toggle

Table 7-1. Bit definition of the TOGCTL register

| TOGCTL | | | | | | | 0xE683 | |
|------------|---|---|---|-----|-----|-----|--------|-----|
| Bit # | 7 | 6 | 5 | 4 | 3 | 2 | 1 | 0 |
| Bit Name | Q | S | R | I/O | EP3 | EP2 | EP1 | EP0 |
| Read/Write | R | W | W | R/W | R/W | R/W | R/W | R/W |
| Default | 0 | 0 | 1 | 1 | 0 | 0 | 1 | 0 |

Bit 7: Q, Data Toggle Value

Q=0 indicates DATA0 and Q=1 indicates DATA1, for the endpoint selected by the I/O and EP3:0 bits. Write the endpoint select bits (IO and EP3:0), before reading this value.

Bit 6: S, Set Data Toggle to DATA1

After selecting the desired endpoint by writing the endpoint select bits (IO and EP3:0), set S=1 to set the data toggle to DATA1. The endpoint selection bits should not be changed while this bit is written.

Bit 5: R, Set Data Toggle to DATA0

Set R=1 to set the data toggle to DATA0. The endpoint selection bits should not be changed while this bit is written.

Bit 4: IO, Select IN or OUT Endpoint

Set this bit to select an endpoint direction prior to setting its R or S bit. IO=0 selects an OUT endpoint, IO = 1 selects an IN endpoint.

Bit 3-0: EP3:0, Select Endpoint

Set these bits to select an endpoint prior to setting its R or S bit. Valid values are 0, 1, 2, 6, and 8.

A two-step process is employed to clear an endpoint data toggle bit to 0. First, write to the TOGCTL register with an endpoint address (EP3:EP0) plus a direction bit (IO). Keeping the endpoint and direction bits the same, write a “1” to the R (reset) bit. For example, to clear the data toggle for EP6 configured as an “IN” endpoint, write the following values sequentially to TOGCTL:

00010110b

00110110b

Following is the sequence of events that the master should perform to set this register to 0x16:

- Send Low Byte of the Register (0x83)
 - Command **address** write of address 0x3A
 - Command **data** write of upper nibble of the Low Byte of Register Address (0x08)
 - Command **data** write of lower nibble of the Low Byte of Register Address (0x03)
 - Send High Byte of the Register (0xE6)
 - Command **address** write of address 0x3B
 - Command **data** write of upper nibble of the High Byte of Register Address (0x0E)
 - Command **data** write of lower nibble of the High Byte of Register Address (0x06)
- Send the actual value to write to the register Register (in this case 0x16)
 - Command **address** write of address 0x3C
 - Command **data** write of upper nibble of the register value (0x01)
 - Command **data** write of lower nibble of the register value (0x06)

The same command sequence needs to be followed to set TOGCTL register to 0x36. The same command protocol sequence can be used to reset the data toggle for the other endpoints.

In order to read the status of this register, the external master must do the following sequence of events:

- Send Low Byte of the Register (0x83)
 - Command **address** write of 0x3A
 - Command **data** write of upper nibble of the Low Byte of Register Address (0x08)
 - Command **data** write of lower nibble of the Low Byte of Register Address (0x03)
- Send High Byte of the Register (0xE6)
 - Command **address** write of address 0x3B
 - Command **data** write of upper nibble of the High Byte of Register Address (0x0E)
 - Command **data** write of lower nibble of the High Byte of Register Address (0x06)
- Get the actual value from the TOGCTL register (0x16)
 - Command **address READ** of 0x3C

8. Pin Configurations

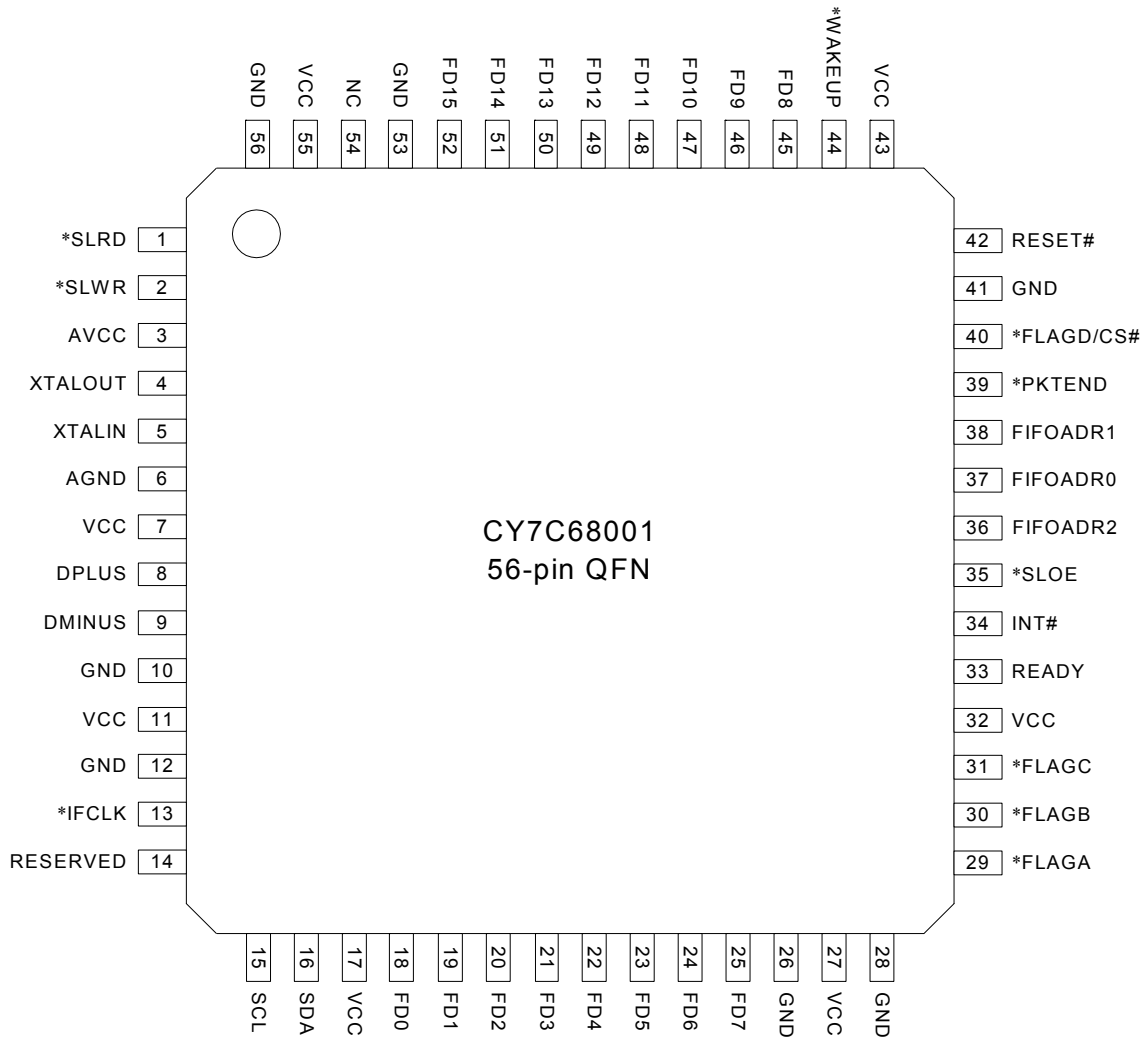
Figure 8-1. CY7C68001 56-Pin SSOP Pin Assignment^[7]

| | | | |
|----|----------|------------|----|
| 1 | FD13 | FD12 | 56 |
| 2 | FD14 | FD11 | 55 |
| 3 | FD15 | FD10 | 54 |
| 4 | GND | FD9 | 53 |
| 5 | NC | FD8 | 52 |
| 6 | VCC | *WAKEUP | 51 |
| 7 | GND | VCC | 50 |
| 8 | *SLRD | RESET# | 49 |
| 9 | *SLWR | GND | 48 |
| 10 | AVCC | *FLAGD/CS# | 47 |
| 11 | XTALOUT | *PKTEND | 46 |
| 12 | XTALIN | FIFOADR1 | 45 |
| 13 | AGND | FIFOADR0 | 44 |
| 14 | VCC | FIFOADR2 | 43 |
| 15 | DPLUS | *SLOE | 42 |
| 16 | DMINUS | INT# | 41 |
| 17 | GND | READY | 40 |
| 18 | VCC | VCC | 39 |
| 19 | GND | *FLAGC | 38 |
| 20 | *IFCLK | *FLAGB | 37 |
| 21 | RESERVED | *FLAGA | 36 |
| 22 | SCL | GND | 35 |
| 23 | SDA | VCC | 34 |
| 24 | VCC | GND | 33 |
| 25 | FD0 | FD7 | 32 |
| 26 | FD1 | FD6 | 31 |
| 27 | FD2 | FD5 | 30 |
| 28 | FD3 | FD4 | 29 |

Note

7. A * denotes programmable polarity.

Figure 8-2. CY7C68001 56-pin QFN Assignment^[7]



8.1 CY7C68001 Pin Definitions

Table 8-1. SX2 Pin Definitions

| QFN Pin | SSOP Pin | Name | Type | Default | Description |
|---------|----------|------------|------------------|---------|--|
| 3 | 10 | AVCC | Power | N/A | Analog V_{CC} . This signal provides power to the analog section of the chip. |
| 6 | 13 | AGND | Power | N/A | Analog Ground . Connect to ground with as short a path as possible. |
| 9 | 16 | DMINUS | I/O/Z | Z | USB D– Signal . Connect to the USB D– signal. |
| 8 | 15 | DPLUS | I/O/Z | Z | USB D+ Signal . Connect to the USB D+ signal. |
| 42 | 49 | RESET# | Input | N/A | Active LOW Reset . Resets the entire chip. This pin is normally tied to V _{CC} through a 100K resistor, and to GND through a 0.1-μF capacitor. |
| 5 | 12 | XTALIN | Input | N/A | Crystal Input . Connect this signal to a 24 MHz parallel-resonant, fundamental mode crystal and 20 pF capacitor to GND. It is also correct to drive XTALIN with an external 24 MHz square wave derived from another clock source. |
| 4 | 11 | XTALOUT | Output | N/A | Crystal Output . Connect this signal to a 24 MHz parallel-resonant, fundamental mode crystal and 20 pF capacitor to GND. If an external clock is used to drive XTALIN, leave this pin open. |
| 54 | 5 | NC | Output | O | No Connect . This pin must be left unconnected. |
| | | | | | |
| 33 | 40 | READY | Output | L | READY is an output-only ready that gates external command reads and writes. Active High. |
| 34 | 41 | INT# | Output | H | INT# is an output-only external interrupt signal. Active Low. |
| 35 | 42 | SLOE | Input | I | SLOE is an input-only output enable with programmable polarity (POLAR.4) for the slave FIFOs connected to FD[7:0] or FD[15:0]. |
| 36 | 43 | FIFOADR2 | Input | I | FIFOADR2 is an input-only address select for the slave FIFOs connected to FD[7:0] or FD[15:0]. |
| 37 | 44 | FIFOADR0 | Input | I | FIFOADR0 is an input-only address select for the slave FIFOs connected to FD[7:0] or FD[15:0]. |
| 38 | 45 | FIFOADR1 | Input | I | FIFOADR1 is an input-only address select for the slave FIFOs connected to FD[7:0] or FD[15:0]. |
| 39 | 46 | PKTEND | Input | I | PKTEND is an input-only packet end with programmable polarity (POLAR.5) for the slave FIFOs connected to FD[7:0] or FD[15:0]. |
| 40 | 47 | FLAGD/C S# | CS#:I FLAGD:O | I | FLAGD is a programmable slave-FIFO output status flag signal. CS# is a master chip select (default). |
| 18 | 25 | FD[0] | I/O/Z | I | FD[0] is the bidirectional FIFO/Command data bus. |
| 19 | 26 | FD[1] | I/O/Z | I | FD[1] is the bidirectional FIFO/Command data bus. |
| 20 | 27 | FD[2] | I/O/Z | I | FD[2] is the bidirectional FIFO/Command data bus. |
| 21 | 28 | FD[3] | I/O/Z | I | FD[3] is the bidirectional FIFO/Command data bus. |
| 22 | 29 | FD[4] | I/O/Z | I | FD[4] is the bidirectional FIFO/Command data bus. |
| 23 | 30 | FD[5] | I/O/Z | I | FD[5] is the bidirectional FIFO/Command data bus. |
| 24 | 31 | FD[6] | I/O/Z | I | FD[6] is the bidirectional FIFO/Command data bus. |
| 25 | 32 | FD[7] | I/O/Z | I | FD[7] is the bidirectional FIFO/Command data bus. |
| 45 | 52 | FD[8] | I/O/Z | I | FD[8] is the bidirectional FIFO data bus. |
| 46 | 53 | FD[9] | I/O/Z | I | FD[9] is the bidirectional FIFO data bus. |
| 47 | 54 | FD[10] | I/O/Z | I | FD[10] is the bidirectional FIFO data bus. |
| 48 | 55 | FD[11] | I/O/Z | I | FD[11] is the bidirectional FIFO data bus. |
| 49 | 56 | FD[12] | I/O/Z | I | FD[12] is the bidirectional FIFO data bus. |
| 50 | 1 | FD[13] | I/O/Z | I | FD[13] is the bidirectional FIFO data bus. |
| 51 | 2 | FD[14] | I/O/Z | I | FD[14] is the bidirectional FIFO data bus. |

Table 8-1. SX2 Pin Definitions (continued)

| QFN Pin | SSOP Pin | Name | Type | Default | Description |
|---------|----------|-----------------|--------|---------|---|
| 52 | 3 | FD[15] | I/O/Z | I | FD[15] is the bidirectional FIFO data bus. |
| 1 | 8 | SLRD | Input | N/A | SLRD is the input-only read strobe with programmable polarity (POLAR.3) for the slave FIFOs connected to FD[7:0] or FD[15:0]. |
| 2 | 9 | SLWR | Input | N/A | SLWR is the input-only write strobe with programmable polarity (POLAR.2) for the slave FIFOs connected to FD[7:0] or FD[15:0]. |
| 29 | 36 | FLAGA | Output | H | FLAGA is a programmable slave-FIFO output status flag signal. Defaults to PF for the FIFO selected by the FIFOADR[2:0] pins. |
| 30 | 37 | FLAGB | Output | H | FLAGB is a programmable slave-FIFO output status flag signal. Defaults to FULL for the FIFO selected by the FIFOADR[2:0] pins. |
| 31 | 38 | FLAGC | Output | H | FLAGC is a programmable slave-FIFO output status flag signal. Defaults to EMPTY for the FIFO selected by the FIFOADR[2:0] pins. |
| 13 | 20 | IFCLK | I/O/Z | Z | Interface Clock , used for synchronously clocking data into or out of the slave FIFOs. IFCLK also serves as a timing reference for all slave FIFO control signals. When using the internal clock reference (IFCONFIG.7=1) the IFCLK pin can be configured to output 30/48 MHz by setting bits IFCONFIG.5 and IFCONFIG.6. IFCLK may be inverted by setting the bit IFCONFIG.4=1. Programmable polarity. |
| 14 | 21 | Reserved | Input | N/A | Reserved . Must be connected to ground. |
| 44 | 51 | WAKEUP | Input | N/A | USB Wakeup . If the SX2 is in suspend, asserting this pin starts up the oscillator and interrupts the SX2 to allow it to exit the suspend mode. During normal operation, holding WAKEUP asserted inhibits the SX2 chip from suspending. This pin has programmable polarity (POLAR.7). |
| 15 | 22 | SCL | OD | Z | I²C Clock . Connect to V _{CC} with a 2.2K-10 KOhms resistor, even if no I ² C EEPROM is attached. |
| 16 | 23 | SDA | OD | Z | I²C Data . Connect to V _{CC} with a 2.2K-10 KOhms resistor, even if no I ² C EEPROM is attached. |
| 55 | 6 | V _{CC} | Power | N/A | V_{CC} . Connect to 3.3V power source. |
| 7 | 14 | V _{CC} | Power | N/A | V_{CC} . Connect to 3.3V power source. |
| 11 | 18 | V _{CC} | Power | N/A | V_{CC} . Connect to 3.3V power source. |
| 17 | 24 | V _{CC} | Power | N/A | V_{CC} . Connect to 3.3V power source. |
| 27 | 34 | V _{CC} | Power | N/A | V_{CC} . Connect to 3.3V power source. |
| 32 | 39 | V _{CC} | Power | N/A | V_{CC} . Connect to 3.3V power source. |
| 43 | 50 | V _{CC} | Power | N/A | V_{CC} . Connect to 3.3V power source. |
| 53 | 4 | GND | Ground | N/A | Connect to ground . |
| 56 | 7 | GND | Ground | N/A | Connect to ground . |
| 10 | 17 | GND | Ground | N/A | Connect to ground . |
| 12 | 19 | GND | Ground | N/A | Connect to ground . |
| 26 | 33 | GND | Ground | N/A | Connect to ground . |
| 28 | 35 | GND | Ground | N/A | Connect to ground . |
| 41 | 48 | GND | Ground | N/A | Connect to ground . |

9. Register Summary

Table 9-1. SX2 Register Summary

| Hex | Size | Name | Description | D7 | D6 | D5 | D4 | D3 | D2 | D1 | D0 | Default | Access |
|---------------------------------------|------|----------------|---|----------|---------|---------------------------------|--------------------------------|---------------------------------|---------|-----------|--------|----------|--------------|
| General Configuration | | | | | | | | | | | | | |
| 01 | 1 | IFCONFIG | Interface Configuration | IFCLKSRC | 3048MHZ | IFCLKOE | IFCLKPOL | ASYNC | STANDBY | FLAGD/CS# | DISCON | 11001001 | bbbbbbbb |
| 02 | 1 | FLAGSAB | FIFO FLAGA and FLAGB Assignments | FLAGB3 | FLAGB2 | FLAGB1 | FLAGB0 | FLAGA3 | FLAGA2 | FLAGA1 | FLAGA0 | 00000000 | bbbbbbbb |
| 03 | 1 | FLAGSCD | FIFO FLAGC and FLAGD Assignments | FLAGD3 | FLAGD2 | FLAGD1 | FLAGD0 | FLAGC3 | FLAGC2 | FLAGC1 | FLAGC0 | 00000000 | bbbbbbbb |
| 04 | 1 | POLAR | FIFO polarities | WUPOL | 0 | PKTEND | SLOE | SLRD | SLWR | EF | FF | 00000000 | bbrrrrbb |
| 05 | 1 | REVID | Chip Revision | Major | Major | Major | Major | minor | minor | minor | minor | xxxxxxx | rrrrrrr |
| Endpoint Configuration ^[9] | | | | | | | | | | | | | |
| 06 | 1 | EP2CFG | Endpoint 2 Configuration | VALID | dir | TYPE1 | TYPE0 | SIZE | STALL | BUF1 | BUF0 | 10100010 | bbbbbbbb |
| 07 | 1 | EP4CFG | Endpoint 4 Configuration | VALID | dir | TYPE1 | TYPE0 | 0 | STALL | 0 | 0 | 10100000 | bbbbrbr |
| 08 | 1 | EP6CFG | Endpoint 6 Configuration | VALID | dir | TYPE1 | TYPE0 | SIZE | STALL | BUF1 | BUF0 | 11100010 | bbbbbbbb |
| 09 | 1 | EP8CFG | Endpoint 8 Configuration | VALID | dir | TYPE1 | TYPE0 | 0 | STALL | 0 | 0 | 11100000 | bbbbrbr |
| 0A | 1 | EP2PKTLENH | Endpoint 2 Packet Length H | INFM1 | OEP1 | ZEROLEN | WORDWI DE | 0 | PL10 | PL9 | PL8 | 00110010 | bbbbbbbb |
| 0B | 1 | EP2PKTLENL | Endpoint 2 Packet Length L (IN only) | PL7 | PL6 | PL5 | PL4 | PL3 | PL2 | PL1 | PL0 | 00000000 | bbbbbbbb |
| 0C | 1 | EP4PKTLENH | Endpoint 4 Packet Length H | INFM1 | OEP1 | ZEROLEN | WORDWI DE | 0 | 0 | PL9 | PL8 | 00110010 | bbbbbbbb |
| 0D | 1 | EP4PKTLENL | Endpoint 4 Packet Length L (IN only) | PL7 | PL6 | PL5 | PL4 | PL3 | PL2 | PL1 | PL0 | 00000000 | bbbbbbbb |
| 0E | 1 | EP6PKTLENH | Endpoint 6 Packet Length H | INFM1 | OEP1 | ZEROLEN | WORDWI DE | 0 | PL10 | PL9 | PL8 | 00110010 | bbbbbbbb |
| 0F | 1 | EP6PKTLENL | Endpoint 6 Packet Length L (IN only) | PL7 | PL6 | PL5 | PL4 | PL3 | PL2 | PL1 | PL0 | 00000000 | bbbbbbbb |
| 10 | 1 | EP8PKTLENH | Endpoint 8 Packet Length H | INFM1 | OEP1 | ZEROLEN | WORDWI DE | 0 | 0 | PL9 | PL8 | 00110010 | bbbbbbbb |
| 11 | 1 | EP8PKTLENL | Endpoint 8 Packet Length L (IN only) | PL7 | PL6 | PL5 | PL4 | PL3 | PL2 | PL1 | PL0 | 00000000 | bbbbbbbb |
| 12 | 1 | EP2PFH | EP2 Programmable Flag H | DECIS | PKTSTAT | IN: PKTS[2] OUT:PFC 12 | IN: PKTS[1] OUT:PFC 1 | IN: PKTS[0] OUT:PFC 10 | 0 | PFC9 | PFC8 | 10001000 | bbbbbbbb |
| 13 | 1 | EP2PFL | EP2 Programmable Flag L | PFC7 | PFC6 | PFC5 | PFC4 | PFC3 | PFC2 | PFC1 | PFC0 | 00000000 | bbbbbbbb |
| 14 | 1 | EP4PFH | EP4 Programmable Flag H | DECIS | PKTSTAT | 0 | IN: PKTS[1] OUT:PFC 0 | IN: PKTS[0] OUT:PFC 9 | 0 | 0 | PFC8 | 10001000 | bbbbbbbb |
| 15 | 1 | EP4PFL | EP4 Programmable Flag L | PFC7 | PFC6 | PFC5 | PFC4 | PFC3 | PFC2 | PFC1 | PFC0 | 00000000 | bbbbbbbb |
| 16 | 1 | EP6PFH | EP6 Programmable Flag H | DECIS | PKTSTAT | IN: PKTS[2] OUT:PFC 12 | IN: PKTS[1] OUT:PFC 1 | IN: PKTS[0] OUT:PFC 10 | 0 | PFC9 | PFC8 | 00001000 | bbbbbbbb |
| 17 | 1 | EP6PFL | EP6 Programmable Flag L | PFC7 | PFC6 | PFC5 | PFC4 | PFC3 | PFC2 | PFC1 | PFC0 | 00000000 | bbbbbbbb |
| 18 | 1 | EP8PFH | EP8 Programmable Flag H | DECIS | PKTSTAT | 0 | IN: PKTS[1] OUT:PFC 0 | IN: PKTS[0] OUT:PFC 9 | 0 | 0 | PFC8 | 00001000 | bbbbbbbb |
| 19 | 1 | EP8PFL | EP8 Programmable Flag L | PFC7 | PFC6 | PFC5 | PFC4 | PFC3 | PFC2 | PFC1 | PFC0 | 00000000 | bbbbbbbb |
| 1A | 1 | EP2ISOINPKTS | EP2 (if ISO) IN Packets per frame (1-3) | 0 | 0 | 0 | 0 | 0 | 0 | INPPF1 | INPPF0 | 00000001 | bbbbbbbb |
| 1B | 1 | EP4ISOINPKTS | EP4 (if ISO) IN Packets per frame (1-3) | 0 | 0 | 0 | 0 | 0 | 0 | INPPF1 | INPPF0 | 00000001 | bbbbbbbb |
| 1C | 1 | EP6ISOINPKTS | EP6 (if ISO) IN Packets per frame (1-3) | 0 | 0 | 0 | 0 | 0 | 0 | INPPF1 | INPPF0 | 00000001 | bbbbbbbb |
| 1D | 1 | EP8ISOINPKTS | EP8 (if ISO) IN Packets per frame (1-3) | 0 | 0 | 0 | 0 | 0 | 0 | INPPF1 | INPPF0 | 00000001 | bbbbbbbb |
| FLAGS | | | | | | | | | | | | | |
| 1E | 1 | EP24FLAGS | Endpoints 2,4 FIFO Flags | 0 | EP4PF | EP4EF | EP4FF | 0 | EP2PF | EP2EF | EP2FF | 00100010 | rrrrrrr |
| 1F | 1 | EP68FLAGS | Endpoints 6,8 FIFO Flags | 0 | EP8PF | EP8EF | EP8FF | 0 | EP6PF | EP6EF | EP6FF | 01100110 | rrrrrrr |
| INPKTEND/FLUSH ^[10] | | | | | | | | | | | | | |
| 20 | 1 | INPKTEND/FLUSH | Force Packet End / Flush FIFOs | FIFO8 | FIFO6 | FIFO4 | FIFO2 | EP3 | EP2 | EP1 | EP0 | 00000000 | wwwwww ww |
| USB Configuration | | | | | | | | | | | | | |
| 2A | 1 | USBFRAMEH | USB Frame count H | 0 | 0 | 0 | 0 | 0 | FC10 | FC9 | FC8 | xxxxxxx | rrrrrrr |
| 2B | 1 | USBFRAMEL | USB Frame count L | FC7 | FC6 | FC5 | FC4 | FC3 | FC2 | FC1 | FC0 | xxxxxxx | rrrrrrr |
| 2C | 1 | MICROFRAME | Microframe count, 0-7 | 0 | 0 | 0 | 0 | 0 | MF2 | MF1 | MF0 | xxxxxxx | rrrrrrr |
| 2D | 1 | FNADDR | USB Function address | HSGRANT | FA6 | FA5 | FA4 | FA3 | FA2 | FA1 | FA0 | 00000000 | rrrrrrr |
| Interrupts | | | | | | | | | | | | | |

Table 9-1. SX2 Register Summary (continued)

| Hex | Size | Name | Description | D7 | D6 | D5 | D4 | D3 | D2 | D1 | D0 | Default | Access |
|---------|-------------------------------------|-----------------------------|---------------------------------------|-------|--------|--------|------|------|--------|-------------|-------|----------|----------|
| 2E | 1 | INTENABLE | Interrupt Enable | SETUP | EP0BUF | FLAGS | 1 | 1 | ENUMOK | BUSACTIVITY | READY | 11111111 | bbbbbbbb |
| | | Descriptor | | | | | | | | | | | |
| 30 | 500 | DESC | Descriptor RAM | d7 | d6 | d5 | d4 | d3 | d2 | d1 | d0 | xxxxxxx | wwwwwwww |
| | | Endpoint 0 | | | | | | | | | | | |
| 31 | 64 | EP0BUF | Endpoint 0 Buffer | d7 | d6 | d5 | d4 | d3 | d2 | d1 | d0 | xxxxxxx | bbbbbbbb |
| 32 | 8/1 | SETUP | Endpoint 0 Setup Data / Stall | d7 | d6 | d5 | d4 | d3 | d2 | d1 | d0 | xxxxxxx | bbbbbbbb |
| 33 | 1 | EP0BC | Endpoint 0 Byte Count | d7 | d6 | d5 | d4 | d3 | d2 | d1 | d0 | xxxxxxx | bbbbbbbb |
| | | Un-Indexed Register control | | | | | | | | | | | |
| 3A | 1 | | Un-Indexed Register Low Byte pointer | a7 | a6 | a5 | a4 | a3 | a2 | a1 | a0 | | |
| 3B | 1 | | Un-Indexed Register High Byte pointer | a7 | a6 | a5 | a4 | a3 | a2 | a1 | a0 | | |
| 3C | 1 | | Un-Indexed Register Data | d7 | d6 | d5 | d4 | d3 | d2 | d1 | d0 | | |
| Address | Un-Indexed Registers in XDATA Space | | | | | | | | | | | | |
| 0xE609 | | FIFOPIN-POLAR | FIFO Interface Pins Polarity | 0 | 0 | PKTEND | SLOE | SLRD | SLWR | EF | FF | 00000000 | rrbbbbbb |
| 0xE683 | | TOGCTL | Data Toggle Control | Q | S | R | IO | EP3 | EP2 | EP1 | EP0 | xxxxxxx | rbbbbbbb |

8.

Notes

- Please note that the SX2 was not designed to support dynamic modification of these endpoint configuration registers. If your applications need the ability to change endpoint configurations after the device has already enumerated with a specific configuration, please expect some delay in being able to access the FIFOs after changing the configuration. For example, after writing to EP2PKTLENH, you must wait for at least 35 μs measured from the time the READY signal is asserted before writing to the FIFO. This delay time varies for different registers and is not characterized, because the SX2 was not designed for this dynamic change of endpoint configuration registers.
- Please note that the SX2 was not designed to support dynamic modification of the INPKTEND/FLUSH register. If your applications need the ability to change endpoint configurations or access the INPKTEND register after the device has already enumerated with a specific configuration, please expect some delay in being able to access the FIFOs after changing this register. After writing to INPKTEND/FLUSH, you must wait for at least 85 μs measured from the time the READY signal is asserted before writing to the FIFO. This delay time varies for different registers and is not characterized, because the SX2 was not designed for this dynamic change of endpoint configuration registers.

9.1 IFCONFIG Register 0x01

| IFCONFIG | | | | | | | | 0x01 |
|------------|----------|----------|---------|----------|-------|---------|-----------|--------|
| Bit # | 7 | 6 | 5 | 4 | 3 | 2 | 1 | 0 |
| Bit Name | IFCLKSRC | 3048 MHZ | IFCLKOE | IFCLKPOL | ASYNC | STANDBY | FLAGD/CS# | DISCON |
| Read/Write | R/W | R/W | R/W | R/W | R/W | R/W | R/W | R/W |
| Default | 1 | 1 | 0 | 0 | 1 | 0 | 0 | 1 |

9.1.1 Bit 7: IFCLKSRC

This bit selects the clock source for the FIFOs. If IFCLKSRC = 0, the external clock on the IFCLK pin is selected. If IFCLKSRC = 1 (default), an internal 30 or 48 MHz clock is used.

9.1.2 Bit 6: 3048 MHZ

This bit selects the internal FIFO clock frequency. If 3048 MHZ = 0, the internal clock frequency is 30 MHz. If 3048 MHZ = 1 (default), the internal clock frequency is 48 MHz.

9.1.3 Bit 5: IFCLKOE

This bit selects if the IFCLK pin is driven. If IFCLKOE = 0 (default), the IFCLK pin is floated. If IFCLKOE = 1, the IFCLK pin is driven.

9.1.4 Bit 4: IFCLKPOL

This bit controls the polarity of the IFCLK signal.

- When IFCLKPOL=0, the clock has the polarity shown in all the timing diagrams in this data sheet (rising edge is the activating edge).
- When IFCLKPOL=1, the clock is inverted (in some cases may help with satisfying data setup times).

9.1.5 Bit 3: ASYNC

This bit controls whether the FIFO interface is synchronous or asynchronous. When ASYNC = 0, the FIFOs operate synchronously. In synchronous mode, a clock is supplied either internally

or externally on the IFCLK pin, and the FIFO control signals function as read and write enable signals for the clock signal.

When ASYNC = 1 (default), the FIFOs operate asynchronously. No clock signal input to IFCLK is required, and the FIFO control signals function directly as read and write strobes.

9.1.6 Bit 2: STANDBY

This bit instructs the SX2 to enter a low power mode. When STANDBY=1, the SX2 enters a low power mode by turning off its oscillator. The external master should write this bit after it receives a bus activity interrupt (indicating that the host has signaled a USB suspend condition). If SX2 is disconnected from the USB bus, the external master can write this bit at any time to save power. Once suspended, the SX2 is awakened either by resumption of USB bus activity or by assertion of its WAKEUP pin.

9.1.7 Bit 1: FLAGD/CS#

This bit controls the function of the FLAGD/CS# pin. When FLAGD/CS# = 0 (default), the pin operates as a slave chip select. If FLAGD/CS# = 1, the pin operates as FLAGD.

9.1.8 Bit 0: DISCON

This bit controls whether the internal pull up resistor connected to D+ is pulled high or floating. When DISCON = 1 (default), the pull up resistor is floating simulating a USB unplug. When DISCON=0, the pull up resistor is pulled high signaling a USB connection.

9.2 FLAGSAB/FLAGSCD Registers 0x02/0x03

The SX2 has four FIFO flags output pins: FLAGA, FLAGB, FLAGC, FLAGD.

| FLAGSAB | | | | | | | | 0x02 |
|------------|--------|--------|--------|--------|--------|--------|--------|--------|
| Bit # | 7 | 6 | 5 | 4 | 3 | 2 | 1 | 0 |
| Bit Name | FLAGB3 | FLAGB2 | FLAGB1 | FLAGB0 | FLAGA3 | FLAGA2 | FLAGA1 | FLAGA0 |
| Read/Write | R/W | R/W | R/W | R/W | R/W | R/W | R/W | R/W |
| Default | 0 | 0 | 0 | 0 | 0 | 0 | 0 | 0 |

| FLAGSCD | | | | | | | | 0x03 |
|------------|--------|--------|--------|--------|--------|--------|--------|--------|
| Bit # | 7 | 6 | 5 | 4 | 3 | 2 | 1 | 0 |
| Bit Name | FLAGD3 | FLAGD2 | FLAGD1 | FLAGD0 | FLAGC3 | FLAGC2 | FLAGC1 | FLAGC0 |
| Read/Write | R/W | R/W | R/W | R/W | R/W | R/W | R/W | R/W |
| Default | 0 | 0 | 0 | 0 | 0 | 0 | 0 | 0 |

These flags can be programmed to represent various FIFO flags using four select bits for each FIFO. The 4-bit coding for all four flags is the same, as shown in Table 9-2.

Table 9-2. FIFO Flag 4-bit Coding

| FLAGx3 | FLAGx2 | FLAGx1 | FLAGx0 | Pin Function |
|--------|--------|--------|--------|--|
| 0 | 0 | 0 | 0 | FLAGA = PF, FLAGB = FF, FLAGC = EF, FLAGD = CS# (actual FIFO is selected by FIFOADR[2:0] pins) |
| 0 | 0 | 0 | 1 | Reserved |
| 0 | 0 | 1 | 0 | Reserved |
| 0 | 0 | 1 | 1 | Reserved |
| 0 | 1 | 0 | 0 | EP2 PF |
| 0 | 1 | 0 | 1 | EP4 PF |
| 0 | 1 | 1 | 0 | EP6 PF |
| 0 | 1 | 1 | 1 | EP8 PF |
| 1 | 0 | 0 | 0 | EP2 EF |
| 1 | 0 | 0 | 1 | EP4 EF |
| 1 | 0 | 1 | 0 | EP6 EF |
| 1 | 0 | 1 | 1 | EP8 EF |
| 1 | 1 | 0 | 0 | EP2 FF |
| 1 | 1 | 0 | 1 | EP4 FF |
| 1 | 1 | 1 | 0 | EP6 FF |
| 1 | 1 | 1 | 1 | EP8 FF |

For the default (0000) selection, the four FIFO flags are fixed-function as shown in the first table entry; the input pins FIFOADR[2:0] select to which of the four FIFOs the flags correspond. These pins are decoded as shown in Table 5-3.

The other (non-zero) values of FLAGx[3:0] allow the designer to independently configure the four flag outputs FLAGA-FLAGD to correspond to any flag-Programmable, Full, or Empty-from any of the four endpoint FIFOs. This allows each flag to be assigned to any of the four FIFOs, including those not currently selected by the FIFOADR [2:0] pins. For example, the external master could be filling the EP2IN FIFO with data while also checking the empty flag for the EP4OUT FIFO.

9.3 POLAR Register 0x04

This register controls the polarities of FIFO pin signals and the WAKEUP pin.

| POLAR | 0x04 | | | | | | | |
|------------|-------|-----|--------|------|------|------|-----|-----|
| Bit # | 7 | 6 | 5 | 4 | 3 | 2 | 1 | 0 |
| Bit Name | WUPOL | 0 | PKTEND | SLOE | SLRD | SLWR | EF | FF |
| Read/Write | R/W | R/W | R/W | R | R | R | R/W | R/W |
| Default | 0 | 0 | 0 | 0 | 0 | 0 | 0 | 0 |

9.3.1 Bit 7: WUPOL

This flag sets the polarity of the WAKEUP pin. If WUPOL = 0 (default), the polarity is active LOW. If WUPOL=1, the polarity is active HIGH.

9.3.2 Bit 5: PKTEND

This flag selects the polarity of the PKTEND pin. If PKTEND = 0 (default), the polarity is active LOW. If PKTEND = 1, the polarity is active HIGH.

9.3.3 Bit 4: SLOE

This flag selects the polarity of the SLOE pin. If SLOE = 0 (default), the polarity is active LOW. If SLOE = 1, the polarity is active HIGH. This bit can only be changed by using the EEPROM configuration load.

9.3.4 Bit 3: SLRD

This flag selects the polarity of the SLRD pin. If SLRD = 0 (default), the polarity is active LOW. If SLRD = 1, the polarity is active HIGH. This bit can only be changed by using the EEPROM configuration load.

9.3.5 SLWR Bit 2

This flag selects the polarity of the SLWR pin. If SLWR = 0 (default), the polarity is active LOW. If SLWR = 1, the polarity is active HIGH. This bit can only be changed by using the EEPROM configuration load.

9.3.6 EF Bit 1

This flag selects the polarity of the EF pin (FLAGA/B/C/D). If EF = 0 (default), the EF pin is pulled low when the FIFO is empty. If EF = 1, the EF pin is pulled HIGH when the FIFO is empty.

9.3.7 FF Bit 0

This flag selects the polarity of the FF pin (FLAGA/B/C/D). If FF = 0 (default), the FF pin is pulled low when the FIFO is full. If FF = 1, the FF pin is pulled HIGH when the FIFO is full.

Note that bits 2(SLWR), 3(SLRD) and 4 (SLOE) are READ only bits and cannot be set by the external master or the EEPROM. On power up, these bits are set to active low polarity. In order to change the polarity after the device is powered-up, the external master must access the previously undocumented (un-indexed) SX2 register located at XDATA space at 0xE609. This register has exact same bit definition as the POLAR register except that bits 2, 3 and 4 defined as SLWR, SLRD and SLOE respectively are Read/Write bits. Following is the sequence of events that the master should perform for setting this register to 0x1C (setting bits 4, 3, and 2):

1. Send Low Byte of the Register (0x09)
 - a. Command address write of address 0x3A
 - b. Command data write of upper nibble of the Low Byte of Register Address (0x00)
 - c. Command data write of lower nibble of the Low Byte of Register Address (0x09)
2. Send High Byte of the Register (0xE6)
 - d. Command address write of address 0x3B
 - e. Command data write of upper nibble of the High Byte of Register Address (0x0E)
 - f. Command data write of lower nibble of the High Byte of Register Address (0x06)

3. Send the actual value to write to the register Register (in this case 0x1C)
 - g. Command address write of address 0x3C
 - h. Command data write of upper nibble of the register value (0x01)
 - i. Command data write of lower nibble of the register value (0x0C)

In order to avoid altering any other bits of the FIFOPINPOLAR register (0xE609) inadvertently, the external master must do a read (from POLAR register), modify the value to set/clear appropriate bits and write the modified value to FIFOPINPOLAR register. The external master may read from the POLAR register using the command read protocol as stated in [Command Protocol](#) on page 7. Modify the value with the appropriate bit set to change the polarity as needed and write this modified value to the FIFOPINPOLAR register.

9.4 REVID Register 0x05

These register bits define the silicon revision.

| REVID | 0x05 | | | | | | | |
|------------|-------|-------|-------|-------|-------|-------|-------|-------|
| Bit # | 7 | 6 | 5 | 4 | 3 | 2 | 1 | 0 |
| Bit Name | Major | Major | Major | Major | Minor | Minor | Minor | Minor |
| Read/Write | R/W | R/W | R/W | R/W | R/W | R/W | R/W | R/W |
| De-fault | X | X | X | X | X | X | X | X |

The upper nibble is the major revision. The lower nibble is the minor revision. For example: if REVID = 0x11, then the silicon revision is 1.1.

9.5 EPxCFG Register 0x06–0x09

These registers configure the large, data-handling SX2 endpoints, EP2, 4, 6, and 8. [Figure 8-1](#), on page 11 shows the configuration choices for these endpoints. Shaded blocks group endpoint buffers for double-, triple-, or quad-buffering. The endpoint direction is set independently—any shaded block can have any direction.

| EPx-CFG | 0x06, 0x08 | | | | | | | |
|------------|------------|-----|-------|-------|------|-------|------|------|
| Bit # | 7 | 6 | 5 | 4 | 3 | 2 | 1 | 0 |
| Bit Name | VALID | DIR | TYPE1 | TYPE0 | SIZE | STALL | BUF1 | BUF0 |
| Read/Write | R/W | R/W | R/W | R/W | R/W | R/W | R/W | R/W |
| De-fault | 1 | 0 | 1 | 0 | 0 | 0 | 1 | 0 |

Note

11. Setting the endpoint buffering to invalid causes improper buffer allocation

9.5.1 Bit 7: VALID

The external master sets VALID = 1 to activate an endpoint, and VALID = 0 to deactivate it. All SX2 endpoints default to valid. An endpoint whose VALID bit is 0 does not respond to any USB traffic. (Note: when setting VALID=0, use default values for all other bits.)

9.5.2 Bit 6: DIR

0 = OUT, 1 = IN. Defaults for EP2/4 are DIR = 0, OUT, and for EP6/8 are DIR = 1, IN.

9.5.3 Bit [5,4]: TYPE1, TYPE0

These bits define the endpoint type, as shown in [Table 9-3](#). The TYPE bits apply to all of the endpoint configuration registers. All SX2 endpoints except EP0 default to BULK.

Table 9-3. Endpoint Type

| TYPE1 | TYPE0 | Endpoint Type |
|-------|-------|----------------|
| 0 | 0 | Invalid |
| 0 | 1 | Isochronous |
| 1 | 0 | Bulk (Default) |
| 1 | 1 | Interrupt |

9.5.4 Bit 3: SIZE

0 = 512 bytes (default), 1 = 1024 bytes.

Endpoints 4 and 8 can only be 512 bytes and is a read only bit. The size of endpoints 2 and 6 is selectable.

9.5.5 Bit 2: STALL

Each bulk endpoint (IN or OUT) has a STALL bit (bit 2). If the external master sets this bit, any requests to the endpoint return a STALL handshake rather than ACK or NAK. The Get Status-Endpoint Request returns the STALL state for the endpoint indicated in byte 4 of the request. Note that bit 7 of the endpoint number EP (byte 4) specifies direction.

9.5.6 Bit [1,0]: BUF1, BUF0

For EP2 and EP6 the depth of endpoint buffering is selected via BUF1:0, as shown in [Table 9-4](#). For EP4 and EP8 the buffer is internally set to double buffered and are read only bits.

Table 9-4. Endpoint Buffering

| BUF1 | BUF0 | Buffering |
|------|------|-------------------------|
| 0 | 0 | Quad |
| 0 | 1 | Invalid ^[11] |
| 1 | 0 | Double |
| 1 | 1 | Triple |

9.6 EPxPKTLENH/L Registers 0x0A–0x11

The external master can use these registers to set smaller packet sizes than the physical buffer size (refer to the previously described EPxCFG registers). The default packet size is 512 bytes for all endpoints. Note that EP2 and EP6 can have maximum sizes of 1024 bytes, and EP4 and EP8 can have maximum sizes of 512 bytes, to be consistent with the endpoint structure.

In addition, the EPxPKTLENH register has four other endpoint configuration bits.

| | | | | | | | | | |
|-------------|-----|-----|-----|-----|-----|-----|-----|-----|------------------------|
| EPxPK-TLENL | | | | | | | | | 0x0B, 0x0D, 0x0F, 0x11 |
| Bit # | 7 | 6 | 5 | 4 | 3 | 2 | 1 | 0 | |
| Bit Name | PL7 | PL6 | PL5 | PL4 | PL3 | PL2 | PL1 | PL0 | |
| Read/Write | R/W | R/W | R/W | R/W | R/W | R/W | R/W | R/W | |
| Default | 0 | 0 | 0 | 0 | 0 | 0 | 0 | 0 | |

| | | | | | | | | | |
|------------------------|-------|------|---------|----------|-----|------|-----|-----|------------|
| EP2PKTLENH, EP6PKTLENH | | | | | | | | | 0x0A, 0x0E |
| Bit # | 7 | 6 | 5 | 4 | 3 | 2 | 1 | 0 | |
| Bit Name | INFM1 | OEP1 | ZEROLEN | WORDWIDE | 0 | PL10 | PL9 | PL8 | |
| Read/Write | R/W | R/W | R/W | R/W | R/W | R/W | R/W | R/W | |
| Default | 0 | 0 | 1 | 1 | 0 | 0 | 1 | 0 | |

| | | | | | | | | | |
|------------------------|-------|------|---------|----------|-----|-----|-----|-----|------------|
| EP4PKTLENH, EP8PKTLENH | | | | | | | | | 0x0C, 0x10 |
| Bit # | 7 | 6 | 5 | 4 | 3 | 2 | 1 | 0 | |
| Bit Name | INFM1 | OEP1 | ZEROLEN | WORDWIDE | 0 | 0 | PL9 | PL8 | |
| Read/Write | R/W | R/W | R/W | R/W | R/W | R/W | R/W | R/W | |
| Default | 0 | 0 | 1 | 1 | 0 | 0 | 1 | 0 | |

9.6.1 Bit 7: INFM1 EPxPKTLENH.7

When the external master sets INFM = 1 in an endpoint configuration register, the FIFO flags for that endpoint become valid one sample earlier than when the full condition occurs. These bits take effect only when the FIFOs are operating synchronously according to an internally or externally supplied clock. Having the FIFO flag indications one sample early simplifies some synchronous interfaces. This applies only to IN endpoints. Default is INFM1 = 0.

9.6.2 Bit 6: OEP1 EPxPKTLENH.6

When the external master sets an OEP = 1 in an endpoint configuration register, the FIFO flags for that endpoint become valid one sample earlier than when the empty condition occurs. These bits take effect only when the FIFOs are operating synchronously according to an internally or externally supplied clock. Having the FIFO flag indications one sample early simplifies some synchronous interfaces. This applies only to OUT endpoints. Default is OEP1 = 0.

9.6.3 Bit 5: ZEROLEN EPxPKTLENH.5

When ZEROLEN = 1 (default), a zero length packet is sent when the PKTEND pin is asserted and there are no bytes in the current packet. If ZEROLEN = 0, then a zero length packet is not sent under these conditions.

9.6.4 Bit 4: WORDWIDE EPxPKTLENH.4

This bit controls whether the data interface is 8 or 16 bits wide. If WORDWIDE = 0, the data interface is eight bits wide, and FD[15:8] have no function. If WORDWIDE = 1 (default), the data interface is 16 bits wide.

9.6.5 Bit [2..0]: PL[X:0] Packet Length Bits

The default packet size is 512 bytes for all endpoints.

9.7 EPxPFH/L Registers 0x12–0x19

The Programmable Flag registers control when the PF goes active for each of the four endpoint FIFOs: EP2, EP4, EP6, and EP8. The EPxPFH/L fields are interpreted differently for the high speed operation and full speed operation and for OUT and IN endpoints.

Following is the register bit definition for high speed operation and for full speed operation (when endpoint is configured as an isochronous endpoint).

| | | | | | | | | | |
|--|------|------|------|------|------|------|------|------|------------------------|
| Full Speed ISO and High Speed Mode: EP2PFL, EP4PFL, EP6PFL, EP8PFL | | | | | | | | | 0x13, 0x15, 0x17, 0x19 |
| Bit # | 7 | 6 | 5 | 4 | 3 | 2 | 1 | 0 | |
| Bit Name | PFC7 | PFC6 | PFC5 | PFC4 | PFC3 | PFC2 | PFC1 | PFC0 | |
| Read/Write | R/W | R/W | R/W | R/W | R/W | R/W | R/W | R/W | |
| Default | 0 | 0 | 0 | 0 | 0 | 0 | 0 | 0 | |

| | | | | | | | | | |
|--|-------|---------|-----|------------------------|-----------------------|-----|-----|------|------------|
| Full Speed ISO and High Speed Mode: EP4PFH, EP8PFH | | | | | | | | | 0x14, 0x18 |
| Bit # | 7 | 6 | 5 | 4 | 3 | 2 | 1 | 0 | |
| Bit Name | DECIS | PKTSTAT | 0 | IN: PKTS[1] OUT: PFC10 | IN: PKTS[0] OUT: PFC9 | 0 | 0 | PFC8 | |
| Read/Write | R/W | R/W | R/W | R/W | R/W | R/W | R/W | R/W | |
| Default | 0 | 0 | 0 | 0 | 1 | 0 | 0 | 0 | |

| | | | | | | | | | |
|--|-------|---------|------------------------|------------------------|------------------------|-----|------|------|------------|
| Full Speed ISO and High Speed Mode: EP2PFH, EP6PFH | | | | | | | | | 0x12, 0x16 |
| Bit # | 7 | 6 | 5 | 4 | 3 | 2 | 1 | 0 | |
| Bit Name | DECIS | PKTSTAT | IN: PKTS[2] OUT: PFC12 | IN: PKTS[1] OUT: PFC11 | IN: PKTS[0] OUT: PFC10 | 0 | PFC9 | PFC8 | |
| Read/Write | R/W | R/W | R/W | R/W | R/W | R/W | R/W | R/W | |
| Default | 1 | 0 | 0 | 0 | 1 | 0 | 0 | 0 | |

Following is the bit definition for the same register when the device is operating at full speed and the endpoint is not configured as isochronous endpoint.

| Full Speed Non-ISO Mode: EP2PFL, EP4PFL, EP6PFL, EP8PFL | | | | | | | | 0x13, 0x15, 0x17, 0x19 |
|---|--------------------------|--------------------------|------|------|------|------|------|------------------------|
| Bit # | 7 | 6 | 5 | 4 | 3 | 2 | 1 | 0 |
| Bit Name | IN: PKTS[1] OUT: PFC7 | IN: PKTS[0] OUT: PFC6 | PFC5 | PFC4 | PFC3 | PFC2 | PFC1 | PFC0 |
| Read/Write | R/W | R/W | R/W | R/W | R/W | R/W | R/W | R/W |
| Default | 0 | 0 | 0 | 0 | 0 | 0 | 0 | 0 |

| Full Speed Non-ISO Mode: EP2PFH, EP6PFH | | | | | | | | 0x12, 0x16 |
|---|-------|---------|------------|------------|------------|-----|------|--------------------------|
| Bit # | 7 | 6 | 5 | 4 | 3 | 2 | 1 | 0 |
| Bit Name | DECIS | PKTSTAT | OUT: PFC12 | OUT: PFC11 | OUT: PFC10 | 0 | PFC9 | IN: PKTS[2] OUT: PFC8 |
| Read/Write | R/W | R/W | R/W | R/W | R/W | R/W | R/W | R/W |
| Default | 1 | 0 | 0 | 0 | 1 | 0 | 0 | 0 |

| Full Speed Non-ISO Mode: EP4PFH, EP8PFH | | | | | | | | 0x14, 0x18 |
|---|-------|----------|-----|------------|-----------|-----|-----|------------|
| Bit # | 7 | 6 | 5 | 4 | 3 | 2 | 1 | 0 |
| Bit Name | DECIS | PKT-STAT | 0 | OUT: PFC10 | OUT: PFC9 | 0 | 0 | PFC8 |
| Read/Write | R/W | R/W | R/W | R/W | R/W | R/W | R/W | R/W |
| Default | 0 | 0 | 0 | 0 | 1 | 0 | 0 | 0 |

9.7.1 DECIS: EPxPFH.7

If DECIS = 0, then PF goes high when the byte count i is equal to or less than what is defined in the PF registers. If DECIS = 1 (default), then PF goes high when the byte count equal to or greater than what is set in the PF register. For OUT endpoints, the byte count is the total number of bytes in the FIFO that are available to the external master. For IN endpoints, the byte count is determined by the PKSTAT bit.

9.7.2 PKSTAT: EPxPFH.6

For IN endpoints, the PF can apply to either the entire FIFO, comprising multiple packets, or only to the current packet being filled. If PKTSTAT = 0 (default), the PF refers to the entire IN endpoint FIFO. If PKTSTAT = 1, the PF refers to the number of bytes in the current packet.

| PKTSTAT | PF applies to | EPnPFH:L format |
|---------|--|------------------|
| 0 | Number of committed packets + current packet bytes | PKTS[] and PFC[] |
| 1 | Current packet bytes only | PFC[] |

9.7.3 IN: PKTS(2:0)/OUT: PFC[12:10]: EPxPFH[5:3]

These three bits have a different meaning, depending on whether this is an IN or OUT endpoint.

IN Endpoints

If IN endpoint, the meaning of this EPxPFH[5:3] bits depend on the PKTSTAT bit setting. When PKTSTAT = 0 (default), the PF considers when there are PKTS packets plus PFC bytes in the FIFO. PKTS[2:0] determines how many packets are considered, according to Table 9-5.

Table 9-5. PKTS Bits

| PKTS2 | PKTS1 | PKTS0 | Number of Packets |
|-------|-------|-------|-------------------|
| 0 | 0 | 0 | 0 |
| 0 | 0 | 1 | 1 |
| 0 | 1 | 0 | 2 |
| 0 | 1 | 1 | 3 |
| 1 | 0 | 0 | 4 |

When PKTSTAT = 1, the PF considers when there are PFC bytes in the FIFO, no matter how many packets are in the FIFO. The PKTS[2:0] bits are ignored.

OUT Endpoints

The PF considers when there are PFC bytes in the FIFO regardless of the PKTSTAT bit setting.

9.8 EPxISOINPKTS Registers 0x1A–0x1D

| EP2ISOINPKTS, EP4ISOINPKTS, EP6ISOINPKTS, EP8ISOINPKTS | | | | | | | 0x1A, 0x1B, 0x1C, 0x1D | |
|--|-----|-----|-----|-----|-----|--------|------------------------|--------|
| Bit # | 7 | 6 | 5 | 4 | 3 | 2 | 1 | 0 |
| Bit Name | 0 | 0 | 0 | 0 | 0 | INPPF2 | INPPF1 | INPPF0 |
| Read/Write | R/W | R/W | R/W | R/W | R/W | R/W | R/W | R/W |
| Default | 0 | 0 | 0 | 0 | 0 | 0 | 0 | 1 |

For ISOCHRONOUS IN endpoints only, these registers determine the number of packets per frame (only one per frame for full speed mode) or microframe (up to three per microframe for high speed mode), according to the following table.

Table 9-6. EPxISOINPKTS

| INPPF1 | INPPF0 | Packets |
|--------|--------|-------------|
| 0 | 0 | Invalid |
| 0 | 1 | 1 (default) |
| 1 | 0 | 2 |
| 1 | 1 | 3 |

9.9 EPxxFLAGS Registers 0x1E–0x1F

The EPxxFLAGS provide an alternate way of checking the status of the endpoint FIFO flags. If enabled, the SX2 can interrupt the external master when a flag is asserted, and the external master can read these two registers to determine the state of the FIFO flags. If the INFM1 and/or OEP1 bits are set, then the EPxEF and EPxFF bits are actually empty +1 and full –1.

| EP24FLAGS | | | | | | | | 0x1E |
|------------|-----|-------|-------|-------|-----|-------|-------|-------|
| Bit # | 7 | 6 | 5 | 4 | 3 | 2 | 1 | 0 |
| Bit Name | 0 | EP4PF | EP4EF | EP4FF | 0 | EP2PF | EP2EF | EP2FF |
| Read/Write | R/W | R/W | R/W | R/W | R/W | R/W | R/W | R/W |
| Default | 0 | 0 | 1 | 0 | 0 | 0 | 1 | 0 |

| EP68FLAGS | | | | | | | | 0x1F |
|------------|-----|-------|-------|-------|-----|-------|-------|-------|
| Bit # | 7 | 6 | 5 | 4 | 3 | 2 | 1 | 0 |
| Bit Name | 0 | EP8PF | EP8EF | EP8FF | 0 | EP6PF | EP6EF | EP6FF |
| Read/Write | R/W | R/W | R/W | R/W | R/W | R/W | R/W | R/W |
| Default | 0 | 0 | 1 | 0 | 0 | 0 | 1 | 0 |

9.9.1 EPxPF Bit 6, Bit 2

This bit is the current state of endpoint x’s programmable flag.

9.9.2 EPxEF Bit 5, Bit 1

This bit is the current state of endpoint x’s empty flag. EPxEF = 1 if the endpoint is empty.

9.9.3 EPxFF Bit 4, Bit 0

This bit is the current state of endpoint x’s full flag. EPxFF = 1 if the endpoint is full.

9.10 INPKTEND/FLUSH Register 0x20

This register allows the external master to duplicate the function of the PKTEND pin. The register also allows the external master to selectively flush endpoint FIFO buffers.

| INPKTEND/FLUSH | | | | | | | | 0x20 |
|----------------|-------|-------|-------|-------|-----|-----|-----|------|
| Bit # | 7 | 6 | 5 | 4 | 3 | 2 | 1 | 0 |
| Bit Name | FIFO8 | FIFO6 | FIFO4 | FIFO2 | EP3 | EP2 | EP1 | EP0 |
| Read/Write | W | W | W | W | W | W | W | W |
| Default | 0 | 0 | 0 | 0 | 0 | 0 | 0 | 0 |

Bit [4..7]: FIFOx

These bits allows the external master to selectively flush any or all of the endpoint FIFOs. By writing the desired endpoint FIFO bit, SX2 logic flushes the selected FIFO. For example setting bit 7 flushes endpoint 8 FIFO.

Bit [3..0]: EPx

These bits are is used only for IN transfers. By writing the desired endpoint number (2,4,6 or 8), SX2 logic automatically commits an IN buffer to the USB host. For example, for committing a packet through endpoint 6, set the lower nibble to 6: set bits 1 and 2 high.

9.11 USBFRAMEH/L Registers 0x2A, 0x2B

Every millisecond, the USB host sends an SOF token indicating “Start Of Frame,” along with an 11-bit incrementing frame count. The SX2 copies the frame count into these registers at every SOF.

| USBFRAMEH | | | | | | | | 0x2A |
|------------|---|---|---|---|---|------|-----|------|
| Bit # | 7 | 6 | 5 | 4 | 3 | 2 | 1 | 0 |
| Bit Name | 0 | 0 | 0 | 0 | 0 | FC10 | FC9 | FC8 |
| Read/Write | R | R | R | R | R | R | R | R |
| Default | X | X | X | X | X | X | X | x |

| USBFRAMEL | | | | | | | | 0x2B |
|------------|-----|-----|-----|-----|-----|-----|-----|------|
| Bit # | 7 | 6 | 5 | 4 | 3 | 2 | 1 | 0 |
| Bit Name | FC7 | FC6 | FC5 | FC4 | FC3 | FC2 | FC1 | FC0 |
| Read/Write | R | R | R | R | R | R | R | R |
| Default | X | X | X | X | X | X | X | X |

One use of the frame count is to respond to the USB SYNC_FRAME Request. If the SX2 detects a missing or garbled SOF, the SX2 generates an internal SOF and increments USBFRAMEL–USBFRAMEH.

9.12 MICROFRAME Registers 0x2C

| MICROFRAME | | | | | | | | 0x2C |
|------------|---|---|---|---|---|-----|-----|------|
| Bit # | 7 | 6 | 5 | 4 | 3 | 2 | 1 | 0 |
| Bit Name | 0 | 0 | 0 | 0 | 0 | MF2 | MF1 | MF0 |
| Read/Write | R | R | R | R | R | R | R | R |
| Default | X | X | X | X | X | X | X | x |

MICROFRAME contains a count 0–7 that indicates which of the 125 microsecond microframes last occurred.

This register is active only when SX2 is operating in high speed mode (480 Mbits/sec).

9.13 FNADDR Register 0x2D

During the USB enumeration process, the host sends a device a unique 7-bit address that the SX2 copies into this register. There is normally no reason for the external master to know its USB device address because the SX2 automatically responds only to its assigned address.

| FNADDR | | | | | | | | 0x2D |
|------------|---------|-----|-----|-----|-----|-----|-----|------|
| Bit # | 7 | 6 | 5 | 4 | 3 | 2 | 1 | 0 |
| Bit Name | HSGRANT | FA6 | FA5 | FA4 | FA3 | FA2 | FA1 | FA0 |
| Read/Write | R | R | R | R | R | R | R | R |
| Default | 0 | 0 | 0 | 0 | 0 | 0 | 0 | 0 |

Bit 7: HSGRANT, Set to 1 if the SX2 enumerated at high speed. Set to 0 if the SX2 enumerated at full speed.

Bit[6..0]: Address set by the host.

9.14 INTENABLE Register 0x2E

This register is used to enable/disable the various interrupt sources, and by default all interrupts are enabled.

| INTENABLE | | | | | | | | 0x2E |
|------------|-------|---------|-------|-----|-----|---------|--------------|-------|
| Bit # | 7 | 6 | 5 | 4 | 3 | 2 | 1 | 0 |
| Bit Name | SETUP | EP0 BUF | FLAGS | 1 | 1 | ENUM OK | BUS ACTIVITY | READY |
| Read/Write | R/W | R/W | R/W | R/W | R/W | R/W | R/W | R/W |
| Default | 1 | 1 | 1 | 1 | 1 | 1 | 1 | 1 |

9.14.1 SETUP Bit 7

Setting this bit to a 1 enables an interrupt when a setup packet is received from the USB host.

9.14.2 EP0BUF Bit 6

Setting this bit to a 1 enables an interrupt when the Endpoint 0 buffer becomes available.

9.14.3 FLAGS Bit 5

Setting this bit to a 1 enables an interrupt when an OUT endpoint FIFO's state transitions from empty to not-empty.

9.14.4 ENUMOK Bit 2

Setting this bit to a 1 enables an interrupt when SX2 enumeration is complete.

9.14.5 BUSACTIVITY Bit 1

Setting this bit to a 1 enables an interrupt when the SX2 detects an absence or presence of bus activity.

9.14.6 READY Bit 0

Setting this bit to a 1 enables an interrupt when the SX2 has powered on and performed an internal self-test.

9.15 DESC Register 0x30

This register address is used to write the 500-byte descriptor RAM. The external master writes two bytes (four command data transfers) to this address corresponding to the length of the descriptor or VID/PID/DID data to be written. The external master then consecutively writes that number of bytes into the descriptor RAM in nibble format. For complete details, refer to [Enumeration](#) on page 8.

9.16 EP0BUF Register 0x31

This register address is used to access the 64-byte Endpoint 0 buffer. The external master can read or write to this register to complete Endpoint 0 data transfers. For complete details, refer to [Endpoint 0](#) on page 8.

9.17 SETUP Register 0x32

This register address is used to access the 8-byte setup packet received from the USB host. If the external master writes to this register, it can stall Endpoint 0. For complete details, refer to [Endpoint 0](#) on page 8.

9.18 EP0BC Register 0x33

This register address is used to access the byte count of Endpoint 0. For Endpoint 0 OUT transfers, the external master can read this register to get the number of bytes transferred from the USB host. For Endpoint 0 IN transfers, the external master writes the number of bytes in the Endpoint 0 buffer to transfer the bytes to the USB host. For complete details, refer to [Endpoint 0](#) on page 8.

10. Absolute Maximum Ratings

Storage Temperature -65°C to +150°C
 Ambient Temperature with Power Supplied..... 0°C to +70°C
 Supply Voltage to Ground Potential.....-0.5V to +4.0V
 DC Input Voltage to Any Pin 5.25V
 DC Voltage Applied to
 Outputs in High-Z State -0.5V to $V_{CC} + 0.5V$

Power Dissipation..... 936 mW
 Static Discharge Voltage..... > 2000V

11. Operating Conditions

T_A (Ambient Temperature Under Bias) 0°C to +70°C
 Supply Voltage.....+3.0V to +3.6V
 Ground Voltage..... 0V
 F_{OSC} (Oscillator or Crystal Frequency) 24 MHz
 ± 100-ppm Parallel Resonant

12. DC Electrical Characteristics

Table 12-1. DC Characteristics

| Parameter | Description | Conditions ^[12] | Min | Typ | Max | Unit |
|-------------|------------------------------|-----------------------------------|------|-----|------|------|
| V_{CC} | Supply Voltage | | 3.0 | 3.3 | 3.6 | V |
| V_{IH} | Input High Voltage | | 2 | | 5.25 | V |
| V_{IL} | Input Low Voltage | | -0.5 | | 0.8 | V |
| I_I | Input Leakage Current | $0 < V_{IN} < V_{CC}$ | | | ±10 | µA |
| V_{OH} | Output Voltage High | $I_{OUT} = 4 \text{ mA}$ | 2.4 | | | V |
| V_{OL} | Output Voltage Low | $I_{OUT} = -4 \text{ mA}$ | | | 0.4 | V |
| I_{OH} | Output Current High | | | | 4 | mA |
| I_{OL} | Output Current Low | | | | 4 | mA |
| C_{IN} | Input Pin Capacitance | Except D+/D- | | | 10 | pF |
| | | D+/D- | | | 15 | pF |
| I_{SUSP} | Suspend Current | Includes 1.5k integrated pull up | | 250 | 400 | µA |
| I_{SUSP} | Suspend Current | Excluding 1.5k integrated pull up | | 30 | 180 | µA |
| I_{CC} | Supply Current | Connected to USB at high speed | | 200 | 260 | mA |
| | | Connected to USB at full speed | | 90 | 150 | mA |
| T_{RESET} | RESET Time after valid power | $V_{CC} \text{ min} = 3.0V$ | 1.91 | | | mS |

13. AC Electrical Characteristics

13.1 USB Transceiver

USB 2.0-certified compliant in full and high speed.

Note

12. Specific conditions for I_{CC} measurements: HS typical 3.3V, 25°C, 48 MHz; FS typical 3.3V, 25°C, 48 MHz.

13.2 Command Interface

Figure 13-1. Command Synchronous Read Timing Diagram^[13]

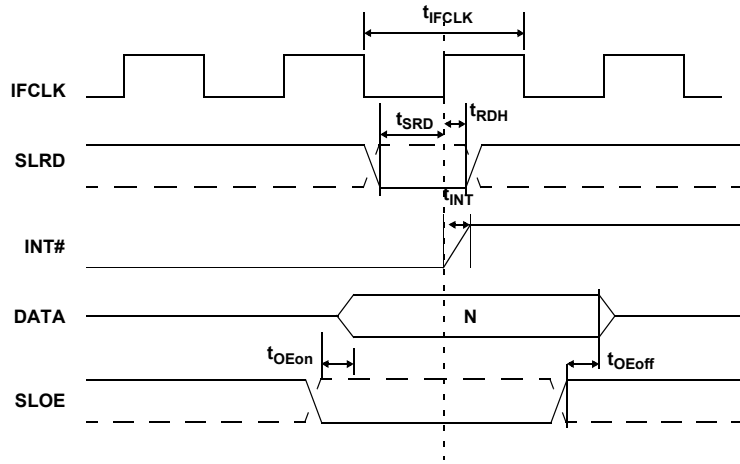


Table 13-1. Command Synchronous Read Parameters with Internally Sourced IFCLK

| Parameter | Description | Min | Max | Unit |
|--------------------|--|-------|------|------|
| t _{IFCLK} | IFCLK period | 20.83 | | ns |
| t _{SRD} | SLRD to Clock Setup Time | 18.7 | | ns |
| t _{RDH} | Clock to SLRD Hold Time | 0 | | ns |
| t _{OEon} | SLOE Turn on to FIFO Data Valid | | 10.5 | ns |
| t _{OEoff} | SLOE Turn off to FIFO Data Hold | | 10.5 | ns |
| t _{INT} | Clock to INT# Output Propagation Delay | | 9.5 | ns |

Table 13-2. Command Synchronous Read with Externally Sourced IFCLK^[14]

| Parameter | Description | Min | Max | Unit |
|--------------------|--|------|------|------|
| t _{IFCLK} | IFCLK Period | 20 | 200 | ns |
| t _{SRD} | SLRD to Clock Setup Time | 12.7 | | ns |
| t _{RDH} | Clock to SLRD Hold Time | 3.7 | | ns |
| t _{OEon} | SLOE Turn on to FIFO Data Valid | | 10.5 | ns |
| t _{OEoff} | SLOE Turn off to FIFO Data Hold | | 10.5 | ns |
| t _{INT} | Clock to INT# Output Propagation Delay | | 13.5 | ns |

Notes

- 13. Dashed lines denote signals with programmable polarity.
- 14. Externally sourced IFCLK must not exceed 50 MHz.

Figure 13-2. Command Synchronous Write Timing Diagram^[13]

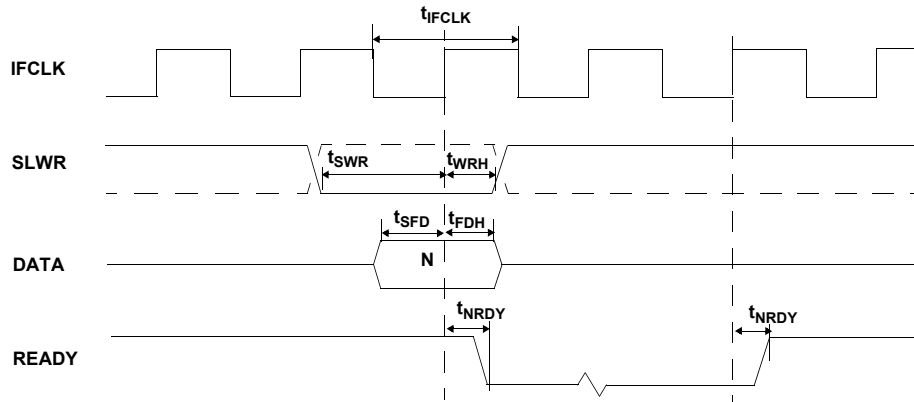


Table 13-3. Command Synchronous Write Parameters with Internally Sourced IFCLK

| Parameter | Description | Min | Max | Unit |
|-------------|--|-------|-----|------|
| t_{IFCLK} | IFCLK Period | 20.83 | | ns |
| t_{SWR} | SLWR to Clock Setup Time | 18.1 | | ns |
| t_{WRH} | Clock to SLWR Hold Time | 0 | | ns |
| t_{SFD} | Command Data to Clock Setup Time | 9.2 | | ns |
| t_{FDH} | Clock to Command Data Hold Time | 0 | | ns |
| t_{NRDY} | Clock to READY Output Propagation Time | | 9.5 | ns |

Table 13-4. Command Synchronous Write Parameters with Externally Sourced IFCLK^[14]

| Parameter | Description | Min | Max | Unit |
|-------------|--|------|------|------|
| t_{IFCLK} | IFCLK Period | 20 | 200 | ns |
| t_{SWR} | SLWR to Clock Setup Time | 12.1 | | ns |
| t_{WRH} | Clock to SLWR Hold Time | 3.6 | | ns |
| t_{SFD} | Command Data to Clock Setup Time | 3.2 | | ns |
| t_{FDH} | Clock to Command Data Hold Time | 4.5 | | ns |
| t_{NRDY} | Clock to READY Output Propagation Time | | 13.5 | ns |

Figure 13-3. Command Asynchronous Read Timing Diagram^[13]

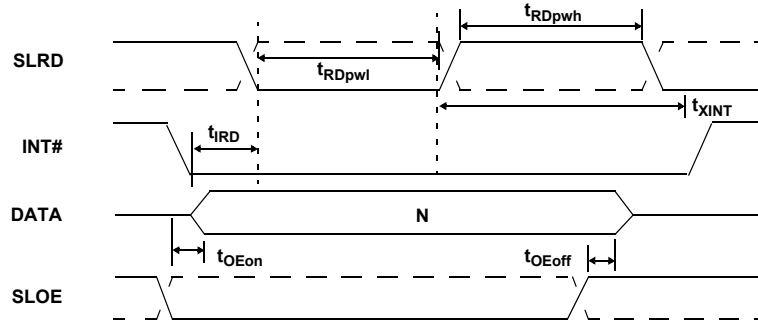


Table 13-5. Command Read Parameters

| Parameter | Description | Min | Max | Unit |
|-------------|---------------------------------|-----|------|------|
| t_{RDpwl} | SLRD Pulse Width LOW | 50 | | ns |
| t_{RDpwh} | SLRD Pulse Width HIGH | 50 | | ns |
| t_{IRD} | INTERRUPT to SLRD | 0 | | ns |
| t_{XINT} | SLRD to INTERRUPT | | 70 | ns |
| t_{OEon} | SLOE Turn on to FIFO Data Valid | | 10.5 | ns |
| t_{OEoff} | SLOE Turn off to FIFO Data Hold | | 10.5 | ns |

Figure 13-4. Command Asynchronous Write Timing Diagram^[13]

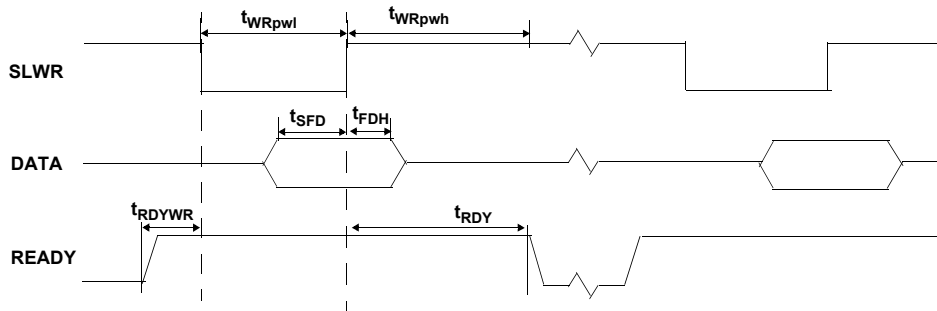


Table 13-6. Command Write Parameters

| Parameter | Description | Min | Max | Unit |
|-------------|---------------------------------|-----|-----|------|
| t_{WRpwl} | SLWR Pulse LOW | 50 | | ns |
| t_{WRpwh} | SLWR Pulse HIGH | 70 | | ns |
| t_{SFD} | SLWR to Command DATA Setup Time | 10 | | ns |
| t_{FDH} | Command DATA to SLWR Hold Time | 10 | | ns |
| t_{RDYWR} | READY to SLWR Time | 0 | | ns |
| t_{RDY} | SLWR to READY | | 70 | ns |

13.1 FIFO Interface

Figure 13-5. Slave FIFO Synchronous Read Timing Diagram^[13]

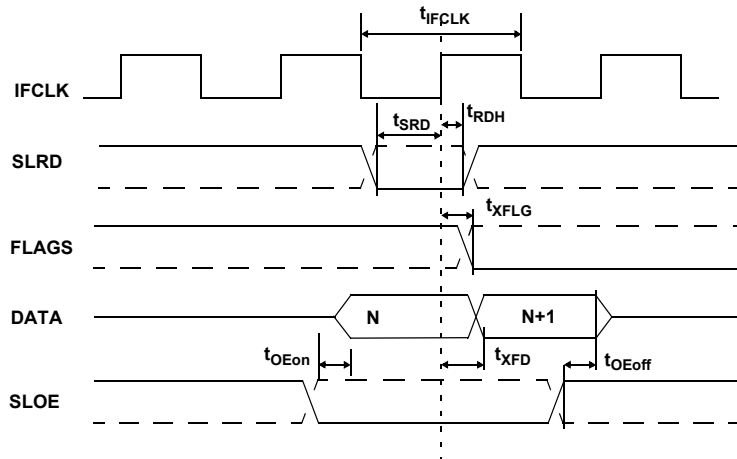


Table 13-7. Slave FIFO Synchronous Read with Internally Sourced IFCLK^[14]

| Parameter | Description | Min | Max | Unit |
|-------------|---|-------|------|------|
| t_{IFCLK} | IFCLK Period | 20.83 | | ns |
| t_{SRD} | SLRD to Clock Setup Time | 18.7 | | ns |
| t_{RDH} | Clock to SLRD Hold Time | 0 | | ns |
| t_{OEon} | SLOE Turn on to FIFO Data Valid | | 10.5 | ns |
| t_{OEoff} | SLOE Turn off to FIFO Data Hold | | 10.5 | ns |
| t_{XFLG} | Clock to FLAGS Output Propagation Delay | | 9.5 | ns |
| t_{XFD} | Clock to FIFO Data Output Propagation Delay | | 11 | ns |

Table 13-8. Slave FIFO Synchronous Read with Externally Sourced IFCLK^[14]

| Parameter | Description | Min | Max | Unit |
|-------------|---|------|------|------|
| t_{IFCLK} | IFCLK Period | 20 | 200 | ns |
| t_{SRD} | SLRD to Clock Setup Time | 12.7 | | ns |
| t_{RDH} | Clock to SLRD Hold Time | 3.7 | | ns |
| t_{OEon} | SLOE Turn on to FIFO Data Valid | | 10.5 | ns |
| t_{OEoff} | SLOE Turn off to FIFO Data Hold | | 10.5 | ns |
| t_{XFLG} | Clock to FLAGS Output Propagation Delay | | 13.5 | ns |
| t_{XFD} | Clock to FIFO Data Output Propagation Delay | | 15 | ns |

Figure 13-6. Slave FIFO Synchronous Write Timing Diagram^[13]

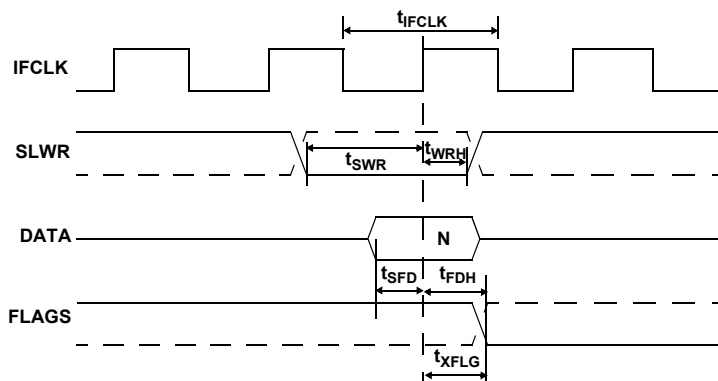


Table 13-9. Slave FIFO Synchronous Write Parameters with Internally Sourced IFCLK^[14]

| Parameter | Description | Min | Max | Unit |
|-------------|--|-------|-----|------|
| t_{IFCLK} | IFCLK Period | 20.83 | | ns |
| t_{SWR} | SLWR to Clock Setup Time | 18.1 | | ns |
| t_{WRH} | Clock to SLWR Hold Time | 0 | | ns |
| t_{SFD} | FIFO Data to Clock Setup Time | 9.2 | | ns |
| t_{FDH} | Clock to FIFO Data Hold Time | 0 | | ns |
| t_{XFLG} | Clock to FLAGS Output Propagation Time | | 9.5 | ns |

Table 13-10. Slave FIFO Synchronous Write Parameters with Externally Sourced IFCLK^[14]

| Parameter | Description | Min | Max | Unit |
|-------------|--|------|------|------|
| t_{IFCLK} | IFCLK Period | 20 | | ns |
| t_{SWR} | SLWR to Clock Setup Time | 12.1 | | ns |
| t_{WRH} | Clock to SLWR Hold Time | 3.6 | | ns |
| t_{SFD} | FIFO Data to Clock Setup Time | 3.2 | | ns |
| t_{FDH} | Clock to FIFO Data Hold Time | 4.5 | | ns |
| t_{XFLG} | Clock to FLAGS Output Propagation Time | | 13.5 | ns |

Figure 13-7. Slave FIFO Synchronous Packet End Strobe Timing Diagram^[13]

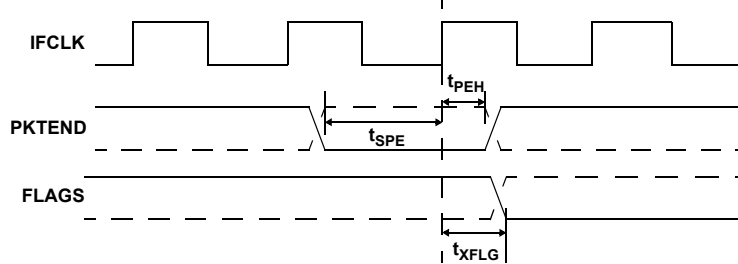


Table 13-11. Slave FIFO Synchronous Packet End Strobe Parameters, Internally Sourced IFCLK^[14]

| Parameter | Description | Min | Max | Unit |
|-------------|---|-------|-----|------|
| t_{IFCLK} | IFCLK Period | 20.83 | | ns |
| t_{SPE} | PKTEND to Clock Setup Time | 14.6 | | ns |
| t_{PEH} | Clock to PKTEND Hold Time | 0 | | ns |
| t_{XFLG} | Clock to FLAGS Output Propagation Delay | | 9.5 | ns |

Table 13-12. Slave FIFO Synchronous Packet End Strobe Parameters, Externally Sourced IFCLK^[14]

| Parameter | Description | Min | Max | Unit |
|-------------|---|-----|------|------|
| t_{IFCLK} | IFCLK Period | 20 | 200 | ns |
| t_{SPE} | PKTEND to Clock Setup Time | 8.6 | | ns |
| t_{PEH} | Clock to PKTEND Hold Time | 2.5 | | ns |
| t_{XFLG} | Clock to FLAGS Output Propagation Delay | | 13.5 | ns |

There is no specific timing requirement that needs to be met for asserting PKTEND pin with regards to asserting SLWR. PKTEND can be asserted with the last data value clocked into the FIFOs or thereafter. The only consideration is the setup time t_{SPE} and the hold time t_{PEH} must be met.

Although there are no specific timing requirement for the PKTEND assertion, there is a specific corner case condition that needs attention while using the PKTEND to commit a one byte/word packet. There is an additional timing requirement that need to be met when the FIFO is configured to operate in auto

mode and it is desired to send two packets back to back: a full packet (full defined as the number of bytes in the FIFO meeting the level set in AUTOINLEN register) committed automatically followed by a short one byte/word packet committed manually using the PKTEND pin. In this particular scenario, user must make sure to assert PKTEND at least one clock cycle after the rising edge that caused the last byte/word to be clocked into the previous auto committed packet. Figure shows this scenario. X is the value the AUTOINLEN register is set to when the IN endpoint is configured to be in auto mode.

Figure 13-8. Slave FIFO Synchronous Write Sequence and Timing Diagram

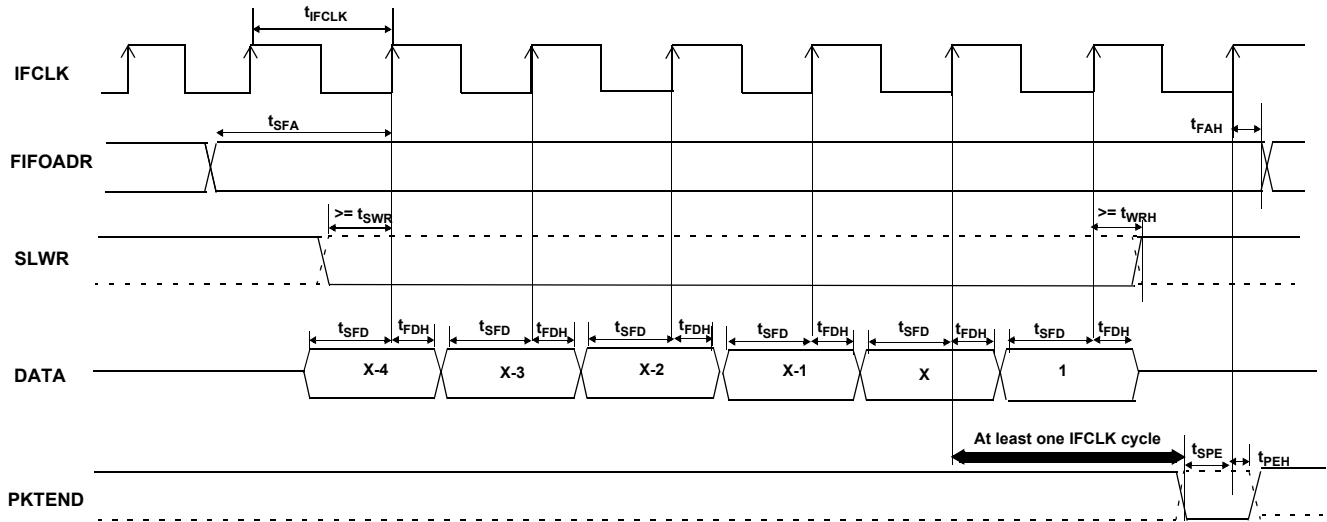


Figure 13-8. shows a scenario where two packets are being committed. The first packet gets committed automatically when the number of bytes in the FIFO reaches X (value set in AUTOINLEN register) and the second one byte/word short packet being committed manually using PKTEND. Note that there is at least one IFCLK cycle timing between the assertion of PKTEND and clocking of the last byte of the previous packet (causing the packet to be committed automatically). Failing to adhere to this timing, results in the FX2 failing to send the one byte/word short packet.

Figure 13-9. Slave FIFO Synchronous Address Timing Diagram

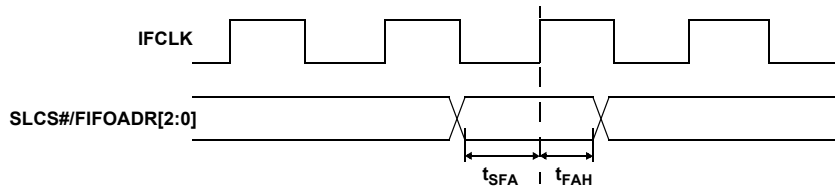


Table 13-13. Slave FIFO Synchronous Address Parameters^[14]

| Parameter | Description | Min | Max | Unit |
|--------------------|----------------------------------|-----|-----|------|
| t _{IFCLK} | Interface Clock Period | 20 | 200 | ns |
| t _{SFA} | FIFOADR[2:0] to Clock Setup Time | 25 | | ns |
| t _{FAH} | Clock to FIFOADR[2:0] Hold Time | 10 | | ns |

Figure 13-10. Slave FIFO Asynchronous Read Timing Diagram^[13]

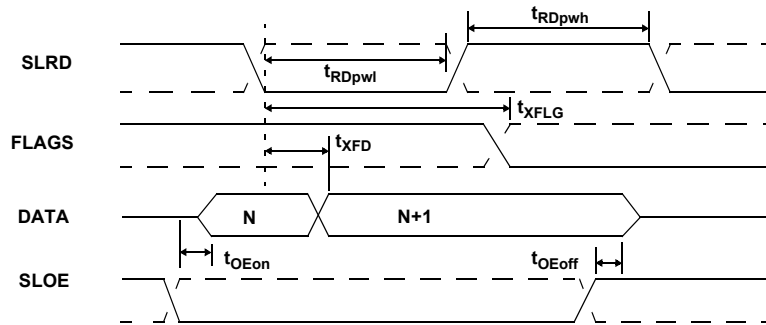


Table 13-14. Slave FIFO Asynchronous Read Parameters^[15]

| Parameter | Description | Min | Max | Unit |
|--------------------|--|-----|------|------|
| t _{RDpwl} | SLRD Pulse Width Low | 50 | | ns |
| t _{RDpwh} | SLRD Pulse Width HIGH | 50 | | ns |
| t _{XFLG} | SLRD to FLAGS Output Propagation Delay | | 70 | ns |
| t _{XFD} | SLRD to FIFO Data Output Propagation Delay | | 15 | ns |
| t _{OEon} | SLOE Turn on to FIFO Data Valid | | 10.5 | ns |
| t _{OEoff} | SLOE Turn off to FIFO Data Hold | | 10.5 | ns |

Figure 13-11. Slave FIFO Asynchronous Write Timing Diagram^[13]

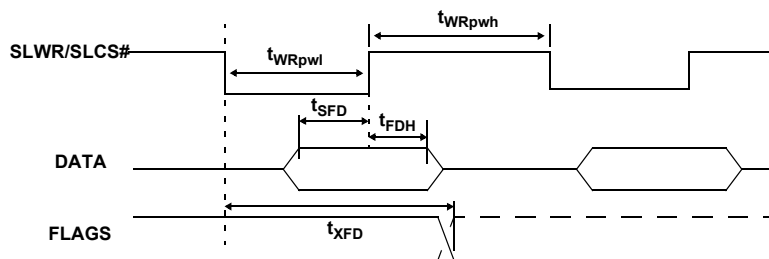


Table 13-15. Slave FIFO Asynchronous Write Parameters with Internally Sourced IFCLK^[15]

| Parameter | Description | Min | Max | Unit |
|--------------------|--|-----|-----|------|
| t _{WRpwl} | SLWR Pulse LOW | 50 | | ns |
| t _{WRpwh} | SLWR Pulse HIGH | 70 | | ns |
| t _{SFD} | SLWR to FIFO DATA Setup Time | 10 | | ns |
| t _{FDH} | FIFO DATA to SLWR Hold Time | 10 | | ns |
| t _{XFD} | SLWR to FLAGS Output Propagation Delay | | 70 | ns |

Figure 13-12. Slave FIFO Asynchronous Packet End Strobe Timing Diagram

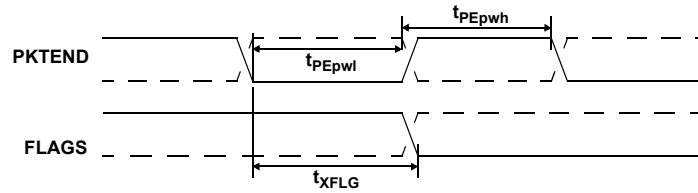


Table 13-16. Slave FIFO Asynchronous Packet End Strobe Parameters^[15]

| Parameter | Description | Min | Max | Unit |
|-------------|--|-----|-----|------|
| t_{PEpwl} | PKTEND Pulse Width LOW | 50 | | ns |
| t_{PEpwh} | PKTEND Pulse Width HIGH | 50 | | ns |
| t_{XFLG} | PKTEND to FLAGS Output Propagation Delay | | 110 | ns |

Figure 13-13. Slave FIFO Asynchronous Address Timing Diagram^[13]

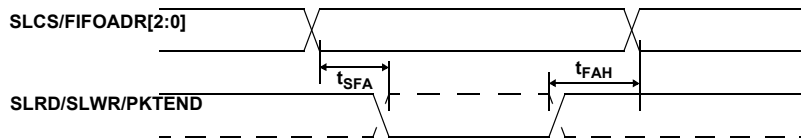


Table 13-17. Slave FIFO Asynchronous Address Parameters^[15]

| Parameter | Description | Min | Max | Unit |
|-----------|---|-----|-----|------|
| t_{SFA} | FIFOADR[2:0] to RD/WR/PKTEND Setup Time | 10 | | ns |
| t_{FAH} | SLRD/PKTEND to FIFOADR[2:0] Hold Time | 20 | | ns |
| t_{FAH} | SLWR to FIFOADR[2:0] Hold Time | 70 | | ns |

13.1 Slave FIFO Address to Flags/Data

Following timing is applicable to synchronous and asynchronous interfaces.

Figure 13-14. Slave FIFO Address to Flags/Data Timing Diagram^[12]

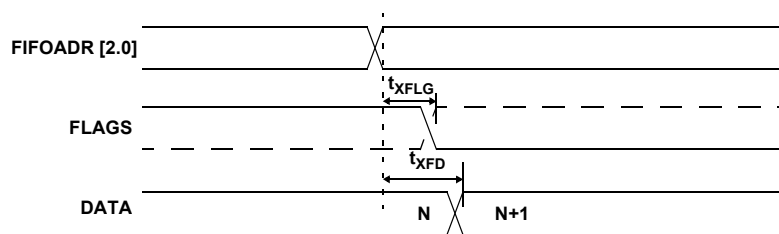


Table 13-18. Slave FIFO Address to Flags/Data Parameters

| Parameter | Description | Min | Max | Unit |
|------------|---|-----|------|------|
| t_{XFLG} | FIFOADR[2:0] to FLAGS Output Propagation Delay | | 10.7 | ns |
| t_{XFD} | FIFOADR[2:0] to FIFODATA Output Propagation Delay | | 14.3 | ns |

Note

15. Slave FIFO asynchronous parameter values are using internal IFCLK setting at 48 MHz.

13.1 Slave FIFO Output Enable

Following timings are applicable to synchronous and asynchronous interfaces.

Figure 13-15. Slave FIFO Output Enable Timing Diagram^[12]

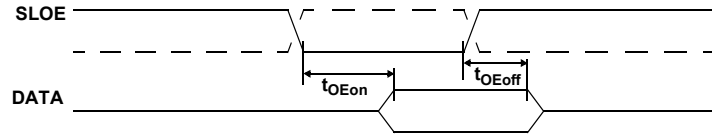


Table 13-19. Slave FIFO Output Enable Parameters

| Parameter | Description | Min | Max | Unit |
|-------------|---------------------------------|-----|------|------|
| t_{OEon} | SLOE assert to FIFO DATA Output | | 10.5 | ns |
| t_{OEoff} | SLOE deassert to FIFO DATA Hold | | 10.5 | ns |

13.1 Sequence Diagram

Figure 13-16. Slave FIFO Synchronous Read Sequence and Timing Diagram

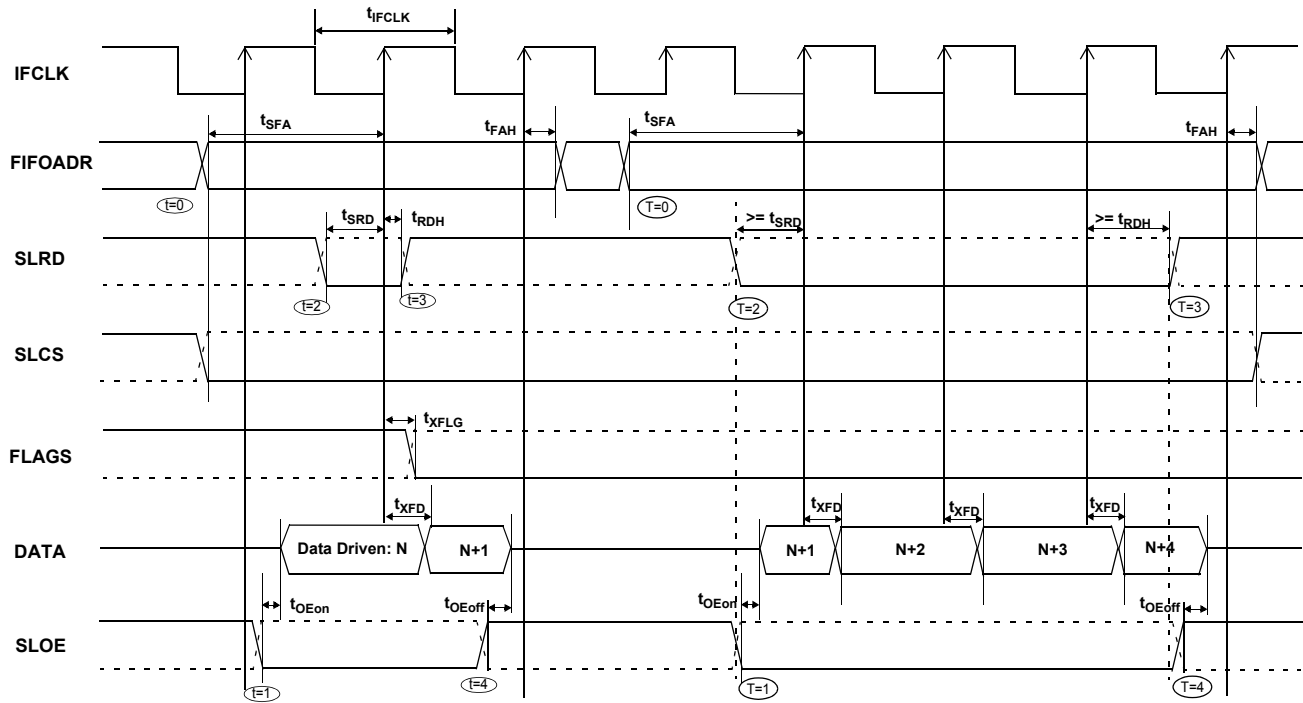


Figure 13-17. Slave FIFO Synchronous Sequence of Events Diagram

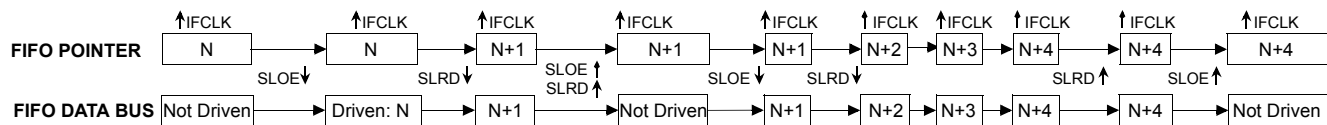


Figure 13-16 shows the timing relationship of the SLAVE FIFO signals during a synchronous FIFO read using IFCLK as the synchronizing clock. The diagram illustrates a single read followed by a burst read.

- At $t = 0$ the FIFO address is stable and the signal SLCS is asserted (SLCS may be tied low in some applications).
- Note:** t_{SFA} has a minimum of 25 ns. This means when IFCLK is running at 48 MHz, the FIFO address setup time is more than one IFCLK cycle.
- At $t = 1$, SLOE is asserted. SLOE is an output enable only, whose sole function is to drive the data bus. The data that is driven on the bus is the data that the internal FIFO pointer is currently pointing to. In this example it is the first data value in the FIFO. Note: the data is pre-fetched and is driven on the bus when SLOE is asserted.
- At $t = 2$, SLRD is asserted. SLRD must meet the setup time of t_{SRD} (time from asserting the SLRD signal to the rising edge of the IFCLK) and maintain a minimum hold time of t_{RDH} (time from the IFCLK edge to the deassertion of the SLRD signal).

If the SLCS signal is used, it must be asserted with SLRD, or before SLRD is asserted (that is, the SLCS and SLRD signals must both be asserted to start a valid read condition).

- The FIFO pointer is updated on the rising edge of the IFCLK, while SLRD is asserted. This starts the propagation of data from the newly addressed location to the data bus. After a propagation delay of t_{XFD} (measured from the rising edge of IFCLK) the new data value is present. N is the first data value read from the FIFO. In order to have data on the FIFO data bus, SLOE MUST also be asserted.

The same sequence of events are shown for a burst read and are marked with the time indicators of $T = 0$ through 5. **Note:** For the burst mode, the SLRD and SLOE are left asserted during the entire duration of the read. In the burst read mode, when SLOE is asserted, data indexed by the FIFO pointer is on the data bus. During the first read cycle, on the rising edge of the clock the FIFO pointer is updated and increments to point to address $N+1$. For each subsequent rising edge of IFCLK, while the SLRD is asserted, the FIFO pointer is incremented and the next data value is placed on the data bus.

Figure 13-18. Slave FIFO Synchronous Write Sequence and Timing Diagram^[13]

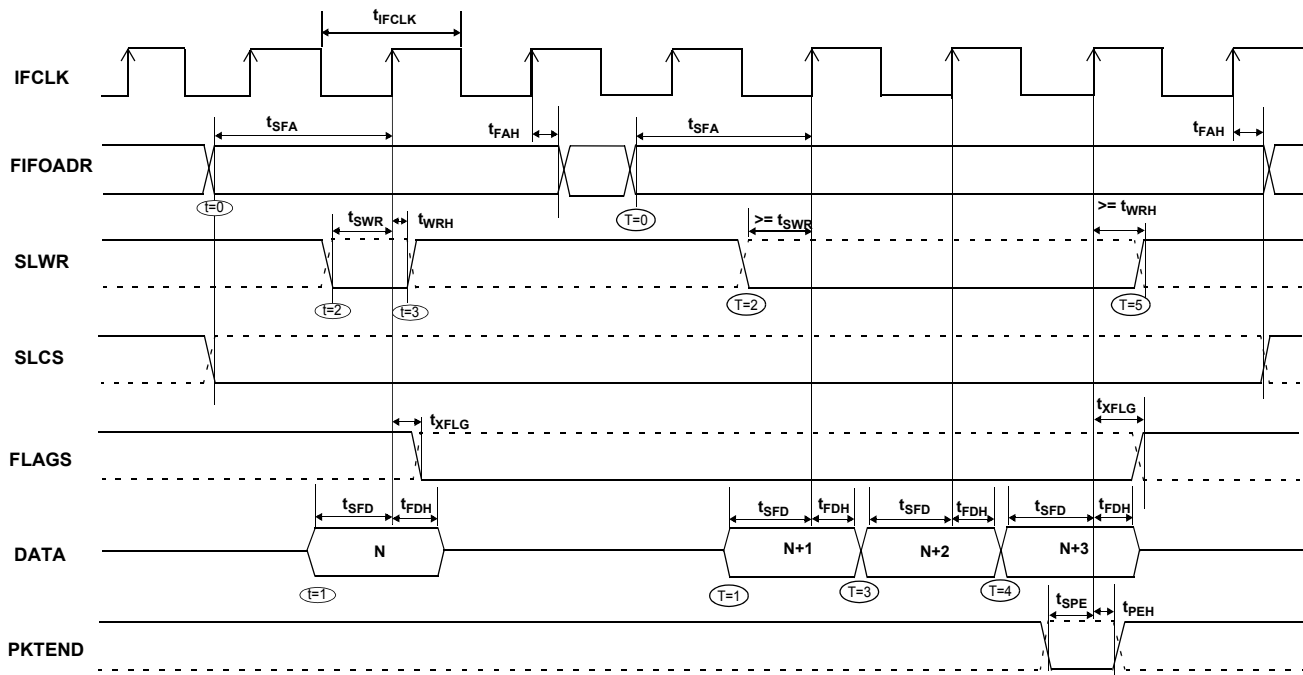


Figure 13-18. shows the timing relationship of the SLAVE FIFO signals during a synchronous write using IFCLK as the synchronizing clock. The diagram illustrates a single write followed by burst write of 3 bytes and committing all 4 bytes as a short packet using the PKTEND pin.

- At $t = 0$ the FIFO address is stable and the signal SLCS is asserted. (SLCS may be tied low in some applications)
Note: t_{SFA} has a minimum of 25 ns. This means when IFCLK is running at 48 MHz, the FIFO address setup time is more than one IFCLK cycle.
- At $t = 1$, the external master/peripheral must output the data value onto the data bus with a minimum set up time of t_{SFD} before the rising edge of IFCLK.
- At $t = 2$, SLWR is asserted. The SLWR must meet the setup time of t_{SWR} (time from asserting the SLWR signal to the rising edge of IFCLK) and maintain a minimum hold time of t_{WRH} (time from the IFCLK edge to the de-assertion of the SLWR signal). If SLCS signal is used, it must be asserted with SLWR or before SLWR is asserted. (that is, the SLCS and SLWR signals must both be asserted to start a valid write condition).
- While the SLWR is asserted, data is written to the FIFO and on the rising edge of the IFCLK, the FIFO pointer is incremented. The FIFO flag is also updated after a delay of t_{XFLG} from the rising edge of the clock.

The same sequence of events are also shown for a burst write and are marked with the time indicators of $T = 0$ through 5. Note: For the burst mode, SLWR and SLCS are left asserted for the entire duration of writing all the required data values. In this burst write mode, after the SLWR is asserted, the data on the FIFO

data bus is written to the FIFO on every rising edge of IFCLK. The FIFO pointer is updated on each rising edge of IFCLK. As shown in Figure 13-19. once the four bytes are written to the FIFO, SLWR is deasserted. The short 4-byte packet can be committed to the host by asserting the PKTEND signal.

There is no specific timing requirement that needs to be met for asserting PKTEND signal with regards to asserting the SLWR signal. PKTEND can be asserted with the last data value or thereafter. The only consideration is the setup time t_{SPE} and the hold time t_{PEH} must be met. In the scenario of Figure 13-19., the number of data values committed includes the last value written to the FIFO. In this example, both the data value and the PKTEND signal are clocked on the same rising edge of IFCLK. PKTEND can be asserted in subsequent clock cycles. The FIFOADDR lines should be held constant during the PKTEND assertion.

Although there are no specific timing requirement for the PKTEND assertion, there is a specific corner case condition that needs attention while using the PKTEND to commit a one byte/word packet. Additional timing requirements exists when the FIFO is configured to operate in auto mode and it is desired to send two packets: a full packet (full defined as the number of bytes in the FIFO meeting the level set in AUTOINLEN register) committed automatically followed by a short one byte/word packet committed manually using the PKTEND pin. In this case, the external master must make sure to assert the PKTEND pin at least one clock cycle after the rising edge that caused the last byte/word to be clocked into the previous auto committed packet (the packet with the number of bytes equal to what is set in the AUTOINLEN register).

Figure 13-19. Slave FIFO Asynchronous Read Sequence and Timing Diagram

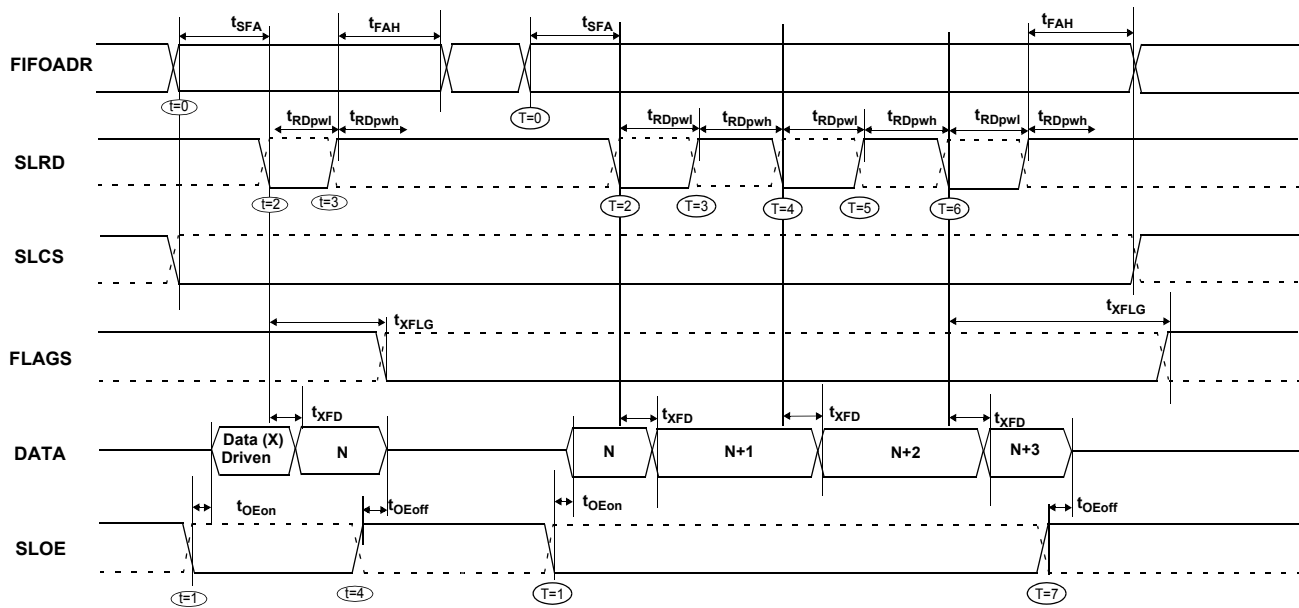


Figure 13-20. Slave FIFO Asynchronous Read Sequence of Events Diagram

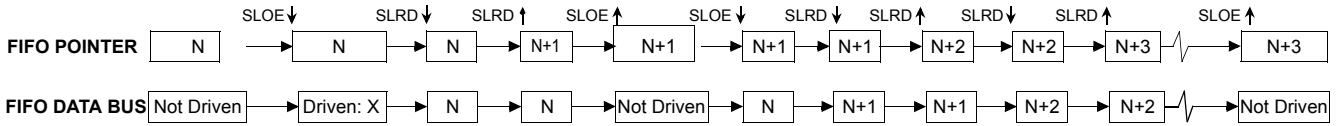


Figure 13-20. diagrams the timing relationship of the SLAVE FIFO signals during an asynchronous FIFO read. It shows a single read followed by a burst read.

- At $t = 0$ the FIFO address is stable and the SLCS signal is asserted.
- At $t = 1$, SLOE is asserted. This results in the data bus being driven. The data that is driven on to the bus is previous data, it data that was in the FIFO from a prior read cycle.
- At $t = 2$, SLRD is asserted. The SLRD must meet the minimum active pulse of t_{RDpwl} and minimum de-active pulse width of t_{RDpwh} . If SLCS is used then, SLCS must be asserted with SLRD or before SLRD is asserted (that is, the SLCS and SLRD signals must both be asserted to start a valid read condition).

- The data that is driven, after asserting SLRD, is the updated data from the FIFO. This data is valid after a propagation delay of t_{XFD} from the activating edge of SLRD. In Figure 13-21., data N is the first valid data read from the FIFO. For data to appear on the data bus during the read cycle (that is, SLRD is asserted), SLOE MUST be in an asserted state. SLRD and SLOE can also be tied together.

The same sequence of events is also shown for a burst read marked with T = 0 through 5.

Note: In burst read mode, during SLOE is assertion, the data bus is in a driven state and outputs the previous data. Once SLRD is asserted, the data from the FIFO is driven on the data bus (SLOE must also be asserted) and then the FIFO pointer is incremented.

Figure 13-21. Slave FIFO Asynchronous Write Sequence and Timing Diagram^[13]

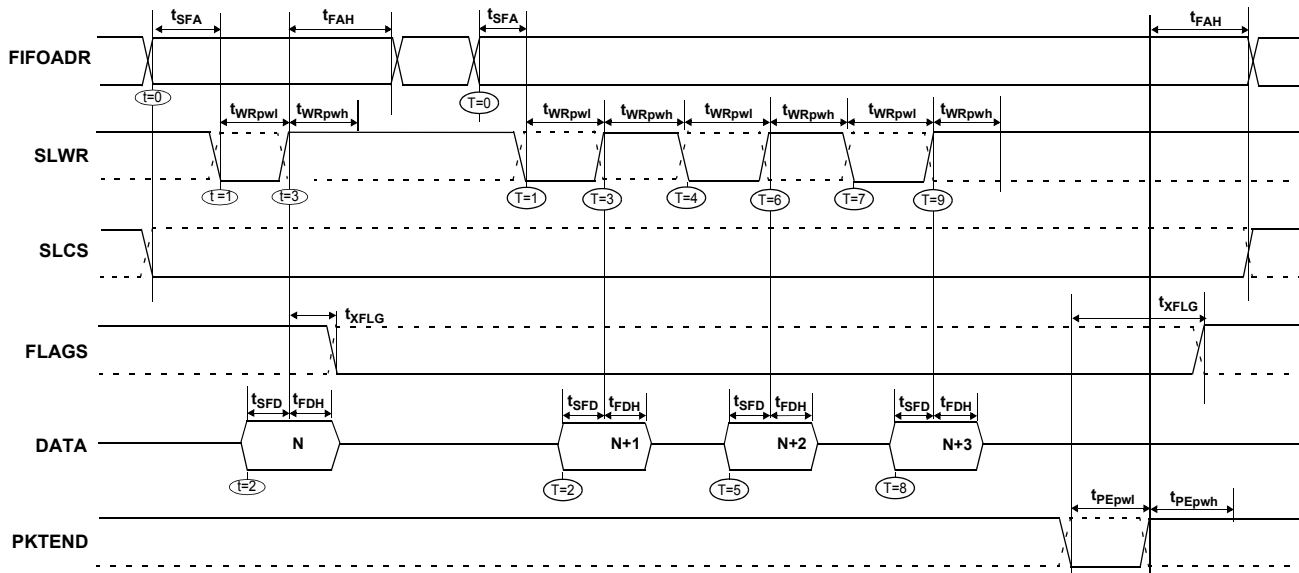


Figure 13-21. diagrams the timing relationship of the SLAVE FIFO write in an asynchronous mode. The diagram shows a single write followed by a burst write of 3 bytes and committing the 4-byte-short packet using PKTEND.

- At $t = 0$ the FIFO address is applied, insuring that it meets the setup time of t_{SFA} . If SLCS is used, it must also be asserted (SLCS may be tied low in some applications).
- At $t = 1$ SLWR is asserted. SLWR must meet the minimum active pulse of t_{WRpwl} and minimum de-active pulse width of t_{WRpwh} . If the SLCS is used, it must be asserted with SLWR or before SLWR is asserted.
- At $t = 2$, data must be present on the bus t_{SFD} before the deasserting edge of SLWR.
- At $t = 3$, deasserting SLWR causes the data to be written from the data bus to the FIFO and then increments the FIFO pointer.

The FIFO flag is also updated after t_{XFLG} from the deasserting edge of SLWR.

The same sequence of events are shown for a burst write and is indicated by the timing marks of T = 0 through 5.

Note: In the burst write mode, once SLWR is deasserted, the data is written to the FIFO and then the FIFO pointer is incremented to the next byte in the FIFO. The FIFO pointer is post incremented.

In Figure 13-21. once the four bytes are written to the FIFO and SLWR is deasserted, the short 4-byte packet can be committed to the host using the PKTEND. The external device should be designed to not assert SLWR and the PKTEND signal at the same time. It should be designed to assert the PKTEND after SLWR is deasserted and met the minimum de-asserted pulse width. The FIFOADDR lines are to be held constant during the PKTEND assertion.

14. Default Descriptor

```

//Device Descriptor
18,          //Descriptor length
1,          //Descriptor type
00,02,      //Specification Version (BCD)
00,         //Device class
00,         //Device sub-class
00,         //Device sub-sub-class
64,         //Maximum packet size
LSB(VID),MSB(VID), //Vendor ID
LSB(PID),MSB(PID), //Product ID
LSB(DID),MSB(DID), //Device ID
1,          //Manufacturer string index
2,          //Product string index
0,          //Serial number string index
1,          //Number of configurations

//DeviceQualDscr
10,         //Descriptor length
6,          //Descriptor type
0x00,0x02, //Specification Version (BCD)
00,         //Device class
00,         //Device sub-class
00,         //Device sub-sub-class
64,         //Maximum packet size
1,          //Number of configurations
0,          //Reserved

//HighSpeedConfigDscr
9,          //Descriptor length
2,          //Descriptor type
46,         //Total Length (LSB)
0,          //Total Length (MSB)
1,          //Number of interfaces
1,          //Configuration number
0,          //Configuration string
0xA0,      //Attributes (b7 - buspwr, b6 - selfpwr, b5 - rwu)
50,         //Power requirement (div 2 ma)

//Interface Descriptor
9,          //Descriptor length
4,          //Descriptor type
0,          //Zero-based index of this interface
0,          //Alternate setting
4,          //Number of end points
0xFF,      //Interface class
0x00,      //Interface sub class
0x00,      //Interface sub sub class
0,          //Interface descriptor string index

//Endpoint Descriptor
7,          //Descriptor length
5,          //Descriptor type
0x02,      //Endpoint number, and direction
2,          //Endpoint type
0x00,      //Maximum packet size (LSB)
0x02,      //Max packet size (MSB)
0x00,      //Polling interval

//Endpoint Descriptor
7,          //Descriptor length
5,          //Descriptor type

```

```
0x04,          //Endpoint number, and direction
2,            //Endpoint type
0x00,          //Maximum packet size (LSB)
0x02,          //Max packet size (MSB)
0x00,          //Polling interval

//Endpoint Descriptor
7,            //Descriptor length
5,            //Descriptor type
0x86,          //Endpoint number, and direction
2,            //Endpoint type
0x00,          //Maximum packet size (LSB)
0x02,          //Max packet size (MSB)
0x00,          //Polling interval

//Endpoint Descriptor
7,            //Descriptor length
5,            //Descriptor type
0x88,          //Endpoint number, and direction
2,            //Endpoint type
0x00,          //Maximum packet size (LSB)
0x02,          //Max packet size (MSB)
0x00,          //Polling interval

//FullSpeedConfigDscr
9,            //Descriptor length
2,            //Descriptor type
46,           //Total Length (LSB)
0,            //Total Length (MSB)
1,            //Number of interfaces
1,            //Configuration number
0,            //Configuration string
0xA0,         //Attributes (b7 - buspwr, b6 - selfpwr, b5 - rwu)
50,           //Power requirement (div 2 ma)

//Interface Descriptor
9,            //Descriptor length
4,            //Descriptor type
0,            //Zero-based index of this interface
0,            //Alternate setting
4,            //Number of end points
0xFF,         //Interface class
0x00,         //Interface sub class
0x00,         //Interface sub sub class
0,            //Interface descriptor string index

//Endpoint Descriptor
7,            //Descriptor length
5,            //Descriptor type
0x02,         //Endpoint number, and direction
2,            //Endpoint type
0x40,         //Maximum packet size (LSB)
0x00,         //Max packet size (MSB)
0x00,         //Polling interval

//Endpoint Descriptor
7,            //Descriptor length
5,            //Descriptor type
0x04,         //Endpoint number, and direction
2,            //Endpoint type
0x40,         //Maximum packet size (LSB)
0x00,         //Max packet size (MSB)
0x00,         //Polling interval
```

```
//Endpoint Descriptor
7,          //Descriptor length
5,          //Descriptor type
0x86,       //Endpoint number, and direction
2,          //Endpoint type
0x40,       //Maximum packet size (LSB)
0x00,       //Max packet size (MSB)
0x00,       //Polling interval

//Endpoint Descriptor
7,          //Descriptor length
5,          //Descriptor type
0x88,       //Endpoint number, and direction
2,          //Endpoint type
0x40,       //Maximum packet size (LSB)
0x00,       //Max packet size (MSB)
0x00,       //Polling interval

//StringDscr

//StringDscr0
4,          //String descriptor length
3,          //String Descriptor
0x09,0x04, //US LANGID Code

//StringDscr1
16,         //String descriptor length
3,          //String Descriptor
'C',00,
'y',00,
'p',00,
'r',00,
'e',00,
's',00,
's',00,

//StringDscr2
20,         //String descriptor length
3,          //String Descriptor
'C',00,
'Y',00,
'7',00,
'C',00,
'6',00,
'8',00,
'0',00,
'0',00,
'1',00,
```

15. General PCB Layout Guidelines^[16]

The following recommendations should be followed to ensure reliable high-performance operation.

- At least a four-layer impedance controlled boards are required to maintain signal quality.
- Specify impedance targets (ask your board vendor what they can achieve).
- To control impedance, maintain trace widths and trace spacing.
- Minimize stubs to minimize reflected signals.
- Connections between the USB connector shell and signal ground must be done near the USB connector.
- Bypass/flyback caps on VBus, near connector, are recommended.
- DPLUS and DMINUS trace lengths should be kept to within 2 mm of each other in length, with preferred length of 20–30 mm.
- Maintain a solid ground plane under the DPLUS and DMINUS traces. Do not allow the plane to be split under these traces.
- It is preferred to have no vias placed on the DPLUS or DMINUS trace routing.
- Isolate the DPLUS and DMINUS traces from all other signal traces by no less than 10 mm.

16. Quad Flat Package No Leads (QFN) Package Design Notes

Electrical contact of the part to the Printed Circuit Board (PCB) is made by soldering the leads on the bottom surface of the package to the PCB. Hence, special attention is required to the heat transfer area below the package to provide a good thermal bond to the circuit board. A Copper (Cu) fill is to be designed into the PCB as a thermal pad under the package. Heat is transferred from the SX2 through the device’s metal paddle on the bottom side of the package. Heat from here, is conducted to the PCB at the thermal pad. It is then conducted from the thermal pad to the PCB inner ground plane by a 5 x 5 array of via. A via is a plated through hole in the PCB with a finished diameter of 13 mil. The QFN’s metal die paddle must be soldered to the PCB’s thermal pad. Solder mask is placed on the board top side over each via to resist solder flow into the via. The mask on the top side also minimizes outgassing during the solder reflow process.

For further information on this package design please refer to “Application Notes for Surface Mount Assembly of Amkor’s MicroLeadFrame® (MLF®) Packages.” This application note can be downloaded from Amkor’s web site from the following URL: http://www.amkor.com/products/notes_papers/MLFAp-pNote.pdf. The application note provides detailed information on board mounting guidelines, soldering flow, rework process, etc.

Figure 16-1. on page 40 displays a cross-sectional area underneath the package. The cross section is of only one via. The solder paste template needs to be designed to allow at least 50% solder coverage. The thickness of the solder paste template should be 5 mil. It is recommended that “No Clean” type 3 solder paste is used for mounting the part. Nitrogen purge is recommended during reflow.

Figure 16-2. is a plot of the solder mask pattern and Figure 16-3. displays an X-Ray image of the assembly (darker areas indicate solder).

Figure 16-1. Cross section of the Area Underneath the QFN Package

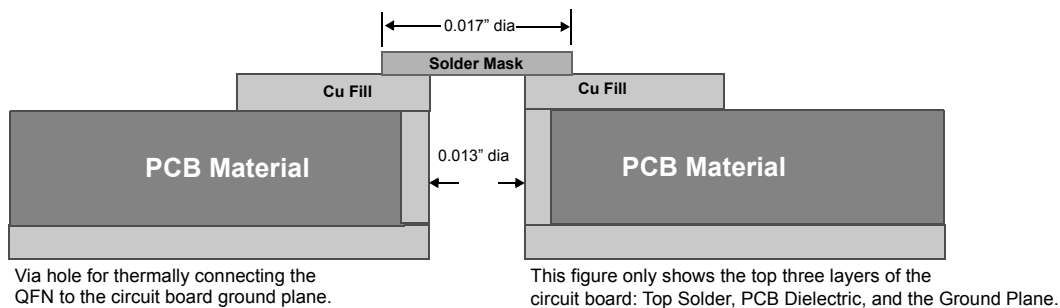


Figure 16-2. Plot of the Solder Mask (White Area)

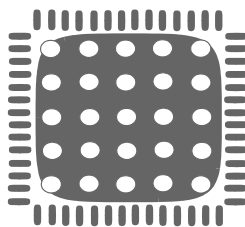
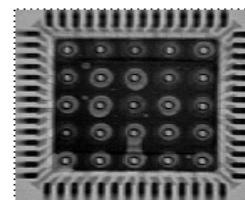


Figure 16-3. X-Ray Image of the Assembly



Note

16. Source for recommendations: *High Speed USB Platform Design Guidelines*, http://www.usb.org/developers/data/hs_usb_pdg_r1_0.pdf.

17. Ordering Information

| Ordering Code | Package Type |
|------------------|----------------------------|
| CY7C68001-56PVC | 56 SSOP |
| CY7C68001-56LFC | 56 QFN |
| CY7C68001-56PVXC | 56 SSOP, Pb-free |
| CY7C68001-56LFXC | 56 QFN, Pb-free |
| CY3682 | EZ-USB SX2 Development Kit |
| CY7C68001-56LTXC | 56 QFN, Pb-free |

18. Package Diagrams

Figure 18-1. 56-Pin Shrunk Small Outline Package 056

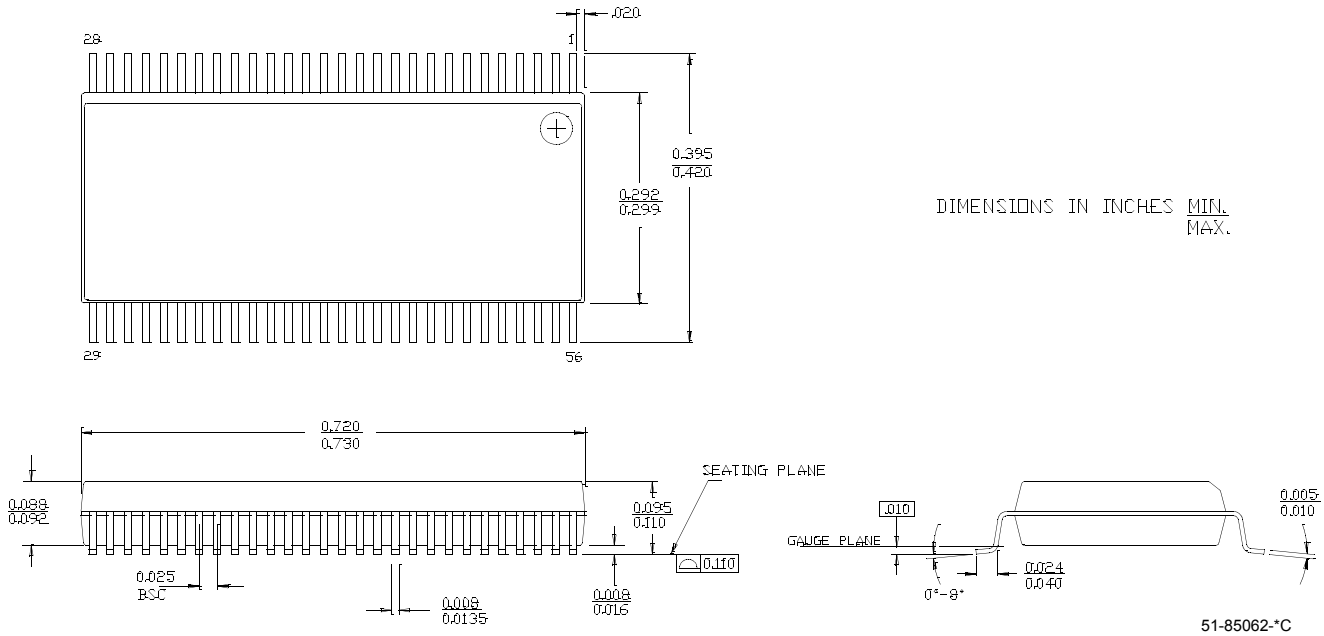
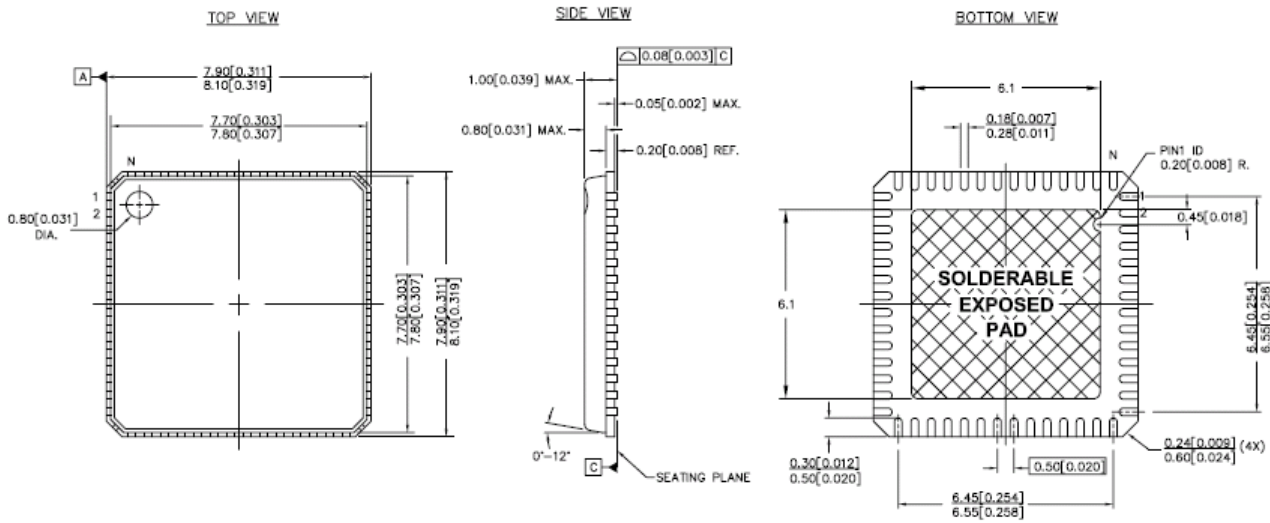



Figure 18-2. 56-Pin QFN (8X8 mm)



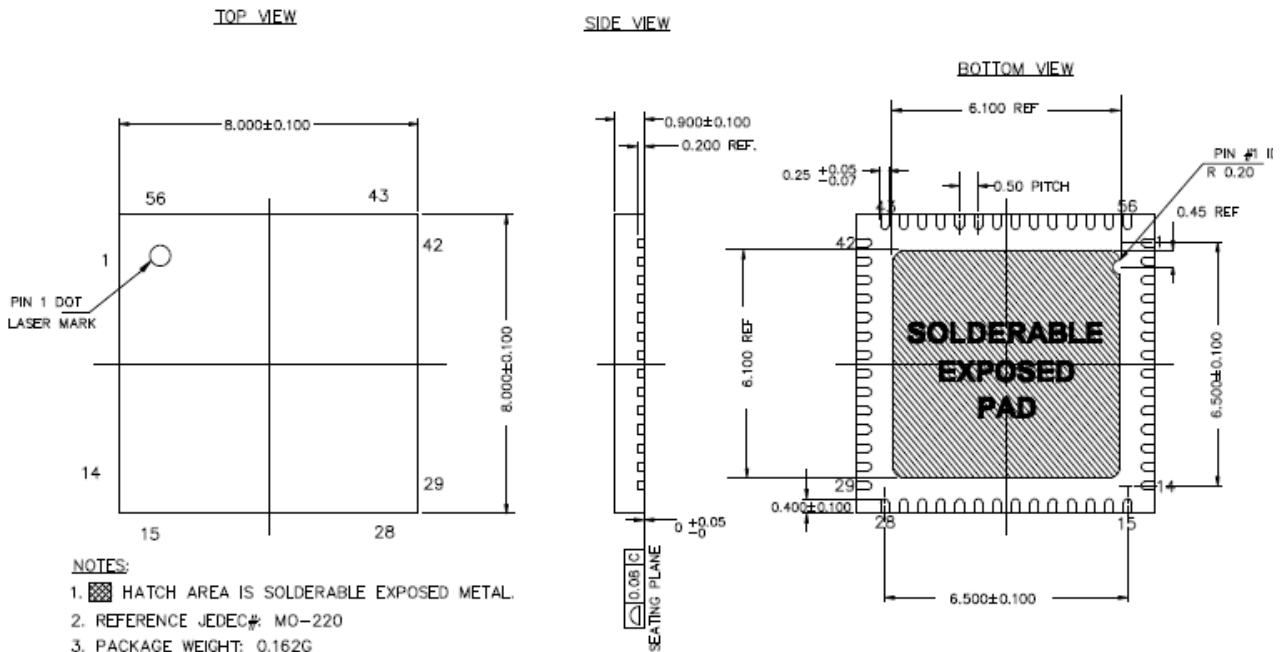
NOTES:

1.  HATCH AREA IS SOLDERABLE EXPOSED METAL.
2. REFERENCE JEDEC#: MO-220
3. PACKAGE WEIGHT: 0.162g
4. ALL DIMENSIONS ARE IN MM [M/N/MAX]
5. PACKAGE CODE


| PART # | DESCRIPTION |
|--------|-------------|
| LF56 | STANDARD |
| LY56 | PB-FREE |

51-85144 *G

Figure 18-3. 56-Pin Sawn QFN (8X8X1.00 mm)



NOTES:

1.  HATCH AREA IS SOLDERABLE EXPOSED METAL.
2. REFERENCE JEDEC#: MO-220
3. PACKAGE WEIGHT: 0.162G
4. ALL DIMENSIONS ARE IN MILLIMETERS

51-85187 *D

19. Document History Page

| Description Title: CY7C68001 EZ-USB SX2™ High Speed USB Interface Device Document Number: 38-08013 | | | | |
|---|---------|-----------------|------------------|---|
| REV. | ECN No. | Submission Date | Origin of Change | Description of Change |
| ** | 111807 | 06/07/02 | BHA | New Data Sheet |
| *A | 123155 | 02/07/03 | BHA | Minor clean-up and clarification Removed references to IRQ Register and replaced them with references to Interrupt Status Byte Modified pin-out description for XTALIN and XTALOUT Added CS# timing to Figure , Figure , and Figure 13-13 . Changed Command Protocol example to IFCONFIG (0x01) Edited PCB Layout Recommendations Added AR#10691 Added USB high speed logo |
| *B | 126324 | 07/02/03 | MON | Default state of registers specified in section where the register bits are defined Reorganized timing diagram presentation: First all timing related to synchronous interface, followed by timing related to asynchronous interface, followed by timing diagrams common to both interfaces Provided further information in section 5.3 regarding boot methods Provided timing diagram that encapsulates ALL relevant signals for a synchronous and asynchronous slave read and write interface Added section on (QFN) Package Design Notes FIFOADR[2:0] Hold Time (t_{FAH}) for Asynchronous FIFO Interface has been updated as follows: SLRD/PKTEND to FIFOADR[2:0] Hold Time: 20 ns; SLWR to FIFOADR[2:0] Hold Time:70 ns (recommended) Added information on the polarity of the programmable flag Fixed the Command Synchronous Write Timing Diagram Fixed the Command Asynchronous Write Timing Diagram Added information on the delay required when endpoint configuration registers are changed after SX2 has already enumerated |
| *C | 129463 | 10/07/03 | MON | Added Test ID for the USB Compliance Test Added information on the fact that the SX2 does not automatically respond to Set/Clear Feature Endpoint (Stall) request, external master intervention required Added information on accessing undocumented register which are not indexed (for resetting data toggle) Added information on requirement of clock stability before releasing reset Added information on configuration of PF register for full speed Updated confirmed timing on FIFOADR[2:0] Hold Time (t_{FAH})for Asynchronous FIFO Interface has been updated Corrected the default bit settings of EPxxFLAGS register Added information on how to change SLWR/SLRD/SLOE polarities Added further information on buffering interrupt on initiation of a command read request Change the default state of the FNADDR to 0x00 Added further labels on the sequence diagram for synchronous and asynchronous read and write in single and burst mode Added information on the maximum delay allowed between each descriptor byte write once a command write request to register 0x30 has been initiated by the external master |

| Description Title: CY7C68001 EZ-USB SX2™ High Speed USB Interface Device Document Number: 38-08013 | | | | |
|---|---------|------------|-----------|--|
| *D | 130447 | 12/17/03 | KKU | <p>Replaced package diagram in Figure 18-2. spec number 51-85144 with clear image</p> <p>Fixed last history entry for rev *C</p> <p>Change reference in section 2.7.2.4 from XXXXXXX to 7.3</p> <p>Removed the word “compatible” in section 3.3</p> <p>Change the text in section 5.0, last paragraph from 0xE6FB to 0xE683</p> <p>Changed label “Reset” to “Default” in sections 5.1 and 7.2 through 7.14</p> <p>Reformatted Figure 4</p> <p>Added entries 3A, 3B, 3C, 0xE609, and 0xE683 to Figure 9-1</p> <p>Change access on hex values 07 and 09 from bbbbbbbb to bbbbrbr</p> <p>Removed t_{XFD} from Figure 13-9. and Figure 13-10. and tables 11-1,2, and 5</p> <p>Corrected timing diagrams, figures 11-1,11-2, 11-6</p> <p>Changed Figure 13-16. through Figure 13-21. for clarity, text which followed had reference to t3 which should be t2, added reference of t3 for deasserting SLWR and reworded section 11.6</p> <p>Updated I_{CC} typical and maximum values</p> |
| *E | 243316 | See ECN | KKU | <p>Reformatted data sheet to latest format</p> <p>Added Lead-free parts numbers</p> <p>Updated default value for address 0x07 and 0x09</p> <p>Added Footnote 3.</p> <p>Removed requirement of less then 360 nsec period between nibble writes in command</p> <p>Changed PKTEND to FLAGS output propagation delay in table 11-16 from a max value of 70 ns to 110 ns</p> |
| *F | 329238 | See ECN | KEV | <p>Provided additional timing restrictions and requirement regarding the use of PKTEND pin to commit a short one byte/word packet subsequent to committing a packet automatically (when in auto mode)</p> <p>Miscellaneous grammar corrections.</p> <p>Added 3.4.3 section header.</p> <p>Fixed command sequence step 3 to say register value instead of High Byte of Register Address (upper and lower nibble in two places).</p> <p>Removed statement that programmable flag polarity is set to active low and cannot be altered. Programmable flag relies on DECIS bit settings.</p> <p>Updated Amkor application note URL.</p> <p>Changed T_{XINT} in Figure 11-3 to be from deassertion edge of SLRD.</p> <p>Changed T_{RDY} in Figure 11-4 to be from deassertion edge of SLWR.</p> <p>Changed FLAGS Interrupt from empty to not-empty to both empty to not-empty and from not-empty to empty conditions for triggering this interrupt.</p> |
| *G | 392570 | See ECN | KEV | <p>Modified Figure 5-1. to fit across columns. It was getting cropped in half.</p> <p>Changed corporate address to 198 Champion Court.</p> |
| *H | 411515 | See ECN | BHA | <p>Added information in section USB Signaling Speed on page 2 on Full Speed only enumeration.</p> |
| *I | 2665531 | 02/26/2009 | DPT/PYRS | <p>Added package diagram (51-85187) and updated Ordering Information table.</p> <p>Updated template</p> |
| *J | 2733374 | 07/08/2009 | ANTG/AESA | <p>Updated cross-references on pages 2 and 3</p> <p>Updated section numbers</p> |

20. Sales, Solutions, and Legal Information

Worldwide Sales and Design Support

Cypress maintains a worldwide network of offices, solution centers, manufacturer's representatives, and distributors. To find the office closest to you, visit us at cypress.com/sales.

Products

| | |
|------------------|--|
| PSoC | psoc.cypress.com |
| Clocks & Buffers | clocks.cypress.com |
| Wireless | wireless.cypress.com |
| Memories | memory.cypress.com |
| Image Sensors | image.cypress.com |

PSoC Solutions

| | |
|-----------------------|--|
| General | psoc.cypress.com/solutions |
| Low Power/Low Voltage | psoc.cypress.com/low-power |
| Precision Analog | psoc.cypress.com/precision-analog |
| LCD Drive | psoc.cypress.com/lcd-drive |
| CAN 2.0b | psoc.cypress.com/can |
| USB | psoc.cypress.com/usb |

© Cypress Semiconductor Corporation, 2002-2009. The information contained herein is subject to change without notice. Cypress Semiconductor Corporation assumes no responsibility for the use of any circuitry other than circuitry embodied in a Cypress product. Nor does it convey or imply any license under patent or other rights. Cypress products are not warranted nor intended to be used for medical, life support, life saving, critical control or safety applications, unless pursuant to an express written agreement with Cypress. Furthermore, Cypress does not authorize its products for use as critical components in life-support systems where a malfunction or failure may reasonably be expected to result in significant injury to the user. The inclusion of Cypress products in life-support systems application implies that the manufacturer assumes all risk of such use and in doing so indemnifies Cypress against all charges.

Any Source Code (software and/or firmware) is owned by Cypress Semiconductor Corporation (Cypress) and is protected by and subject to worldwide patent protection (United States and foreign), United States copyright laws and international treaty provisions. Cypress hereby grants to licensee a personal, non-exclusive, non-transferable license to copy, use, modify, create derivative works of, and compile the Cypress Source Code and derivative works for the sole purpose of creating custom software and or firmware in support of licensee product to be used only in conjunction with a Cypress integrated circuit as specified in the applicable agreement. Any reproduction, modification, translation, compilation, or representation of this Source Code except as specified above is prohibited without the express written permission of Cypress.

Disclaimer: CYPRESS MAKES NO WARRANTY OF ANY KIND, EXPRESS OR IMPLIED, WITH REGARD TO THIS MATERIAL, INCLUDING, BUT NOT LIMITED TO, THE IMPLIED WARRANTIES OF MERCHANTABILITY AND FITNESS FOR A PARTICULAR PURPOSE. Cypress reserves the right to make changes without further notice to the materials described herein. Cypress does not assume any liability arising out of the application or use of any product or circuit described herein. Cypress does not authorize its products for use as critical components in life-support systems where a malfunction or failure may reasonably be expected to result in significant injury to the user. The inclusion of Cypress' product in a life-support systems application implies that the manufacturer assumes all risk of such use and in doing so indemnifies Cypress against all charges.

Use may be limited by and subject to the applicable Cypress software license agreement.



Компания «ЭлектроПласт» предлагает заключение долгосрочных отношений при поставках импортных электронных компонентов на взаимовыгодных условиях!

Наши преимущества:

- Оперативные поставки широкого спектра электронных компонентов отечественного и импортного производства напрямую от производителей и с крупнейших мировых складов;
- Поставка более 17-ти миллионов наименований электронных компонентов;
- Поставка сложных, дефицитных, либо снятых с производства позиций;
- Оперативные сроки поставки под заказ (от 5 рабочих дней);
- Экспресс доставка в любую точку России;
- Техническая поддержка проекта, помощь в подборе аналогов, поставка прототипов;
- Система менеджмента качества сертифицирована по Международному стандарту ISO 9001;
- Лицензия ФСБ на осуществление работ с использованием сведений, составляющих государственную тайну;
- Поставка специализированных компонентов (Xilinx, Altera, Analog Devices, Intersil, Interpoint, Microsemi, Aeroflex, Peregrine, Syfer, Eurofarad, Texas Instrument, Miteq, Cobham, E2V, MA-COM, Hittite, Mini-Circuits, General Dynamics и др.);

Помимо этого, одним из направлений компании «ЭлектроПласт» является направление «Источники питания». Мы предлагаем Вам помощь Конструкторского отдела:

- Подбор оптимального решения, техническое обоснование при выборе компонента;
- Подбор аналогов;
- Консультации по применению компонента;
- Поставка образцов и прототипов;
- Техническая поддержка проекта;
- Защита от снятия компонента с производства.



Как с нами связаться

Телефон: 8 (812) 309 58 32 (многоканальный)

Факс: 8 (812) 320-02-42

Электронная почта: org@eplast1.ru

Адрес: 198099, г. Санкт-Петербург, ул. Калинина, дом 2, корпус 4, литера А.