

### FEATURES

- Low on resistance (300  $\Omega$  typical)
- Fast switching times
  - $t_{ON}$ : 250 ns maximum
  - $t_{OFF}$ : 250 ns maximum
- Low power dissipation (3.3 mW maximum)
- Fault and overvoltage protection ( $-40$  V to  $+55$  V)
- All switches off with power supply off
- Analog output of on channel clamped within power supplies if an overvoltage occurs
- Latch-up proof construction
- Break-before-make construction
- TTL and CMOS compatible inputs

### APPLICATIONS

- Existing multiplexer applications (both fault-protected and nonfault-protected)
- New designs requiring multiplexer functions

### GENERAL DESCRIPTION

The ADG528F<sup>1</sup> is a CMOS analog multiplexer, with the comprising eight single channels. This multiplexer provides fault protection. Using a series n-channel, p-channel, n-channel MOSFET structure, both device and signal source protection is provided in the event of an overvoltage or power loss. The multiplexer can withstand continuous overvoltage inputs from  $-40$  V to  $+55$  V. During fault conditions, the multiplexer input (or output) appears as an open circuit and only a few nanoamperes of leakage current will flow. This protects not only the multiplexer and the circuitry driven by the multiplexer, but also protects the sensors or signal sources that drive the multiplexer.

The ADG528F switches one of eight inputs to a common output as determined by the 3-bit binary address lines A0, A1, and A2. The ADG528F has on-chip address and control latches that facilitate microprocessor interfacing. An EN input on the device is used to enable or disable the device. When disabled, all channels are switched off.

### FUNCTIONAL BLOCK DIAGRAM

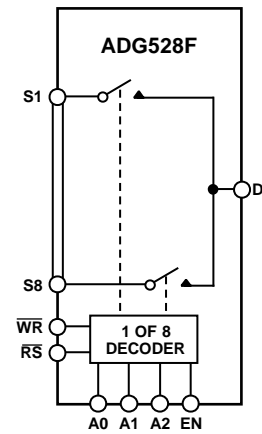


Figure 1.

### PRODUCT HIGHLIGHTS

1. Fault protection.  
The ADG528F can withstand continuous voltage inputs from  $-40$  V to  $+55$  V. When a fault occurs due to the power supplies being turned off, all the channels are turned off and only a leakage current of a few nanoamperes flows.
2. On channel turns off while fault exists.
3. Low  $R_{ON}$ .
4. Fast switching times.
5. Break-before-make switching.  
Switches are guaranteed break-before-make so that input signals are protected against momentary shorting.
6. Trench isolation eliminates latch-up.  
A dielectric trench separates the p-channel and n-channel MOSFETs thereby preventing latch-up.

#### Rev. F

Information furnished by Analog Devices is believed to be accurate and reliable. However, no responsibility is assumed by Analog Devices for its use, nor for any infringements of patents or other rights of third parties that may result from its use. Specifications subject to change without notice. No license is granted by implication or otherwise under any patent or patent rights of Analog Devices. Trademarks and registered trademarks are the property of their respective owners.

## TABLE OF CONTENTS

Features .....	1	Absolute Maximum Ratings .....	6
Applications.....	1	ESD Caution.....	6
Functional Block Diagram .....	1	Pin Configuration and Function Descriptions.....	7
General Description .....	1	Typical Performance Characteristics .....	8
Product Highlights .....	1	Terminology .....	10
Revision History .....	2	Theory of Operation .....	11
Specifications.....	3	Test Circuits.....	12
Dual Supply .....	3	Outline Dimensions .....	15
Truth Table .....	4	Ordering Guide .....	15
Timing Diagrams.....	5		

## REVISION HISTORY

### 7/11—Rev. E to Rev. F

Deleted ADG508F/ADG509F .....	Universal
Changes to Table 3.....	6
Added Table 4.....	7
Updated Outline Dimensions .....	15
Changes to Ordering Guide .....	15

### 7/09—Rev. D to Rev. E

Updated Format .....	Universal
Added TSSOP .....	Universal
Updated Outline Dimensions .....	15
Changes to Ordering Guide .....	18

### 4/01—Data Sheet Changed from Rev. C to Rev. D.

Changes to Ordering Guide .....	1
Changes to Specifications Table.....	2
Max Ratings Changed .....	4
Deleted 16-Lead Cerdip from Outline Dimensions .....	11
Deleted 18-Lead Cerdip from Outline Dimensions .....	12

# SPECIFICATIONS

## DUAL SUPPLY

$V_{DD} = +15\text{ V} \pm 10\%$ ,  $V_{SS} = -15\text{ V} \pm 10\%$ ,  $GND = 0\text{ V}$ , unless otherwise noted.

Table 1.

Parameter	B Version		Unit	Test Conditions/Comments
	+25°C	-40°C to +85°C		
<b>ANALOG SWITCH</b>				
Analog Signal Range		$V_{SS} + 3$ $V_{DD} - 1.5$	V min V max	
$R_{ON}$	300	350	$\Omega$ typ	$-10\text{ V} \leq V_S \leq +10\text{ V}$ , $I_S = 1\text{ mA}$ ; $V_{DD} = +15\text{ V} \pm 10\%$ , $V_{SS} = -15\text{ V} \pm 10\%$
		400	$\Omega$ max	$-10\text{ V} \leq V_S \leq +10\text{ V}$ , $I_S = 1\text{ mA}$ ; $V_{DD} = +15\text{ V} \pm 5\%$ , $V_{SS} = -15\text{ V} \pm 5\%$
$R_{ON}$ Drift	0.6		%/°C typ	$V_S = 0\text{ V}$ , $I_S = 1\text{ mA}$
$R_{ON}$ Match	5		% max	$V_S = 0\text{ V}$ , $I_S = 1\text{ mA}$
<b>LEAKAGE CURRENTS</b>				
Source Off Leakage $I_S$ (Off)	$\pm 0.02$ $\pm 1$	$\pm 50$	nA typ nA max	$V_D = \pm 10\text{ V}$ , $V_S = \mp 10\text{ V}$ ; See Figure 19
Drain Off Leakage $I_D$ (Off)	$\pm 0.04$ $\pm 1$	$\pm 60$	nA typ nA max	$V_D = \pm 10\text{ V}$ , $V_S = \mp 10\text{ V}$ ; See Figure 20
Channel On Leakage $I_D$ , $I_S$ (On)	$\pm 0.04$ $\pm 1$	$\pm 60$	nA typ nA max	$V_S = V_D = \pm 10\text{ V}$ ; See Figure 21
<b>FAULT</b>				
Output Leakage Current (With Overvoltage)	$\pm 0.02$ $\pm 2$	$\pm 2$	nA typ $\mu\text{A}$ max	$V_S = \pm 33\text{ V}$ , $V_D = 0\text{ V}$ , see Figure 20
Input Leakage Current (With Overvoltage)	$\pm 0.005$ $\pm 2$		$\mu\text{A}$ typ $\mu\text{A}$ max	$V_S = \pm 25\text{ V}$ , $V_D = \mp 10\text{ V}$ , see Figure 22
Input Leakage Current (With Power Supplies Off)	$\pm 0.001$ $\pm 2$		$\mu\text{A}$ typ $\mu\text{A}$ max	$V_S = \pm 25\text{ V}$ , $V_D = V_{EN} = A0, A1, A2 = 0\text{ V}$ See Figure 23
<b>DIGITAL INPUTS</b>				
Input High Voltage, $V_{INH}$		2.4	V min	
Input Low Voltage, $V_{INL}$		0.8	V max	
Input Current, $I_{INL}$ or $I_{INH}$		$\pm 1$	$\mu\text{A}$ max	$V_{IN} = 0$ or $V_{DD}$
$C_{IN}$ , Digital Input Capacitance	5		pF typ	
<b>DYNAMIC CHARACTERISTICS<sup>1</sup></b>				
$t_{TRANSITION}$	200 300	400	ns typ ns max	$R_L = 1\text{ M}\Omega$ , $C_L = 35\text{ pF}$ ; $V_{S1} = \pm 10\text{ V}$ , $V_{S8} = \mp 10\text{ V}$ ; see Figure 24
$t_{OPEN}$	50 25	10	ns typ ns min	$R_L = 1\text{ k}\Omega$ , $C_L = 35\text{ pF}$ ; $V_S = 5\text{ V}$ ; see Figure 25
$t_{ON}$ ( $EN, \overline{WR}$ )	200 250	400	ns typ ns max	$R_L = 1\text{ k}\Omega$ , $C_L = 35\text{ pF}$ ; $V_S = 5\text{ V}$ ; see Figure 26
$t_{OFF}$ ( $EN, \overline{RS}$ )	200		ns typ	$R_L = 1\text{ k}\Omega$ , $C_L = 35\text{ pF}$ ;
$t_{SETT}$ , Settling Time	250	400	ns max	$V_S = 5\text{ V}$ ; see Figure 26
0.1%		1	$\mu\text{s}$ typ	$R_L = 1\text{ k}\Omega$ , $C_L = 35\text{ pF}$ ;
0.01%		2.5	$\mu\text{s}$ typ	$V_S = 5\text{ V}$
$t_W$ , Write Pulse Width	100	120	ns min	
$t_S$ , Address, Enable Setup Time		100	ns min	
$t_H$ , Address, Enable Hold Time		10	ns min	
$t_{RS}$ , Reset Pulse Width		100	ns min	

# ADG528F

Parameter	B Version		Unit	Test Conditions/Comments
	+25°C	-40°C to +85°C		
Charge Injection	4		pC typ	$V_S = 0\text{ V}$ , $R_S = 0\ \Omega$ , $C_L = 1\text{ nF}$ ; see Figure 29 $R_L = 1\text{ k}\Omega$ , $C_L = 15\text{ pF}$ , $f = 100\text{ kHz}$ ; $V_S = 7\text{ V rms}$ ; see Figure 30
Off Isolation	68		dB typ	
	50		dB min	
$C_S$ (Off)	5		pF typ	
$C_D$ (Off)	50		pF typ	
<b>POWER REQUIREMENTS</b>				
$I_{DD}$	0.1	0.2	mA max	$V_{IN} = 0\text{ V or }5\text{ V}$
$I_{SS}$	0.1	0.1	mA max	

<sup>1</sup> Guaranteed by design, not subject to production test.

## TRUTH TABLE

Table 2. ADG528F Truth Table<sup>1</sup>

A2	A1	A0	EN	WR	RS	On Switch
X	X	X	X	$\downarrow$	1	Retains previous switch condition
X	X	X	X	X	0	None (address and enable latches cleared)
X	X	X	0	0	1	None
0	0	0	1	0	1	1
0	0	1	1	0	1	2
0	1	0	1	0	1	3
0	1	1	1	0	1	4
1	0	0	1	0	1	5
1	0	1	1	0	1	6
1	1	0	1	0	1	7
1	1	1	1	0	1	8

<sup>1</sup> X = don't care.

**TIMING DIAGRAMS**

Figure 2 shows the timing sequence for latching the switch address and enable inputs. The latches are level sensitive; therefore, while  $\overline{WR}$  is held low, the latches are transparent and the switches respond to the address and enable inputs.

This input data is latched on the rising edge of  $\overline{WR}$ . Figure 3 shows the reset pulse width,  $t_{RS}$ , and the reset turnoff time,  $t_{OFF}$  ( $\overline{RS}$ ). Note that all digital input signals rise and fall times are measured from 10% to 90% of 3 V.  $t_R = t_F = 20$  ns.

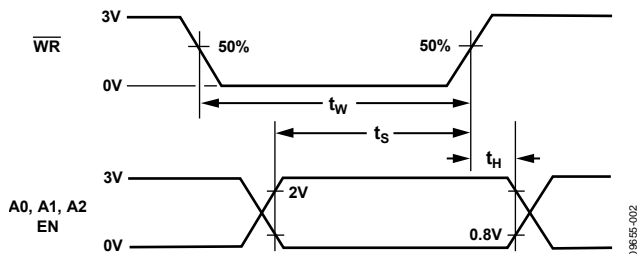


Figure 2. Timing Sequence for Latching the Switch Address and Enable Inputs

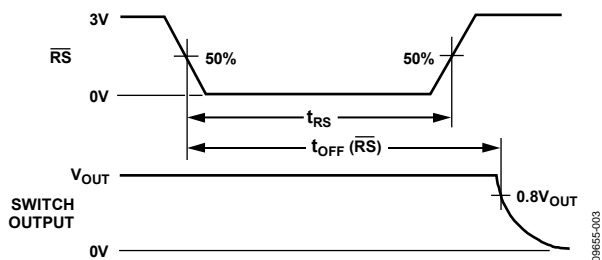


Figure 3. Reset Pulse Width

## ABSOLUTE MAXIMUM RATINGS

T<sub>A</sub> = 25°C unless otherwise noted.

Table 3.

Parameter	Rating
V <sub>DD</sub> to V <sub>SS</sub>	44 V
V <sub>DD</sub> to GND	−0.3 V to +25 V
V <sub>SS</sub> to GND	+0.3 V to −25 V
Digital Input, EN, Ax	−0.3 V to V <sub>DD</sub> + 2 V or 20 mA, whichever occurs first
V <sub>S</sub> , Analog Input Overvoltage with Power On (V <sub>DD</sub> = +15 V, V <sub>SS</sub> = −15 V)	V <sub>SS</sub> − 25 V to V <sub>DD</sub> + 40 V
V <sub>S</sub> , Analog Input Overvoltage with Power Off (V <sub>DD</sub> = 0 V, V <sub>SS</sub> = 0 V)	−40 V to +55 V
Continuous Current, S or D	20 mA
Peak Current, S or D (Pulsed at 1 ms, 10% Duty Cycle Max)	40 mA
Operating Temperature Range Industrial (B Version)	−40°C to +85°C
Storage Temperature Range	−65°C to +150°C
Junction Temperature	150°C
θ <sub>JA</sub> , Thermal Impedance	90°C/W
Lead Temperature, Soldering Vapor Phase (60 sec)	215°C
Infrared (15 sec)	220°C

Stresses above those listed under Absolute Maximum Ratings may cause permanent damage to the device. This is a stress rating only; functional operation of the device at these or any other conditions above those indicated in the operational section of this specification is not implied. Exposure to absolute maximum rating conditions for extended periods may affect device reliability.

### ESD CAUTION



**ESD (electrostatic discharge) sensitive device.** Charged devices and circuit boards can discharge without detection. Although this product features patented or proprietary protection circuitry, damage may occur on devices subjected to high energy ESD. Therefore, proper ESD precautions should be taken to avoid performance degradation or loss of functionality.

## PIN CONFIGURATION AND FUNCTION DESCRIPTIONS

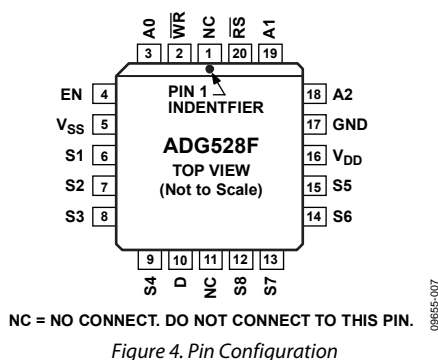


Figure 4. Pin Configuration

Table 4. Pin Function Descriptions

Pin No.	Mnemonic	Description
1	NC	No Connect. This pin is open.
2	$\overline{\text{WR}}$	Write. The $\overline{\text{WR}}$ signal latches the state of the address control lines and the enable line.
3	A0	Logic Control Input.
4	EN	Active High Digital Input. When low, the device is disabled and all switches are off. When high, Ax logic inputs determine on switches.
5	V <sub>SS</sub>	Most Negative Power Supply Potential. In single-supply applications, this pin can be connected to ground.
6	S1	Source Terminal 1. This pin can be an input or an output.
7	S2	Source Terminal 2. This pin can be an input or an output.
8	S3	Source Terminal 3. This pin can be an input or an output.
9	S4	Source Terminal 4. This pin can be an input or an output.
10	D	Drain Terminal. This pin can be an input or an output.
11	NC	No Connect. This pin is open.
12	S8	Source Terminal 8. This pin can be an input or an output.
13	S7	Source Terminal 7. This pin can be an input or an output.
14	S6	Source Terminal 6. This pin can be an input or an output.
15	S5	Source Terminal 5. This pin can be an input or an output.
16	V <sub>DD</sub>	Most Positive Power Supply Potential.
17	GND	Ground (0 V) Reference.
18	A2	Logic Control Input.
19	A1	Logic Control Input.
20	$\overline{\text{RS}}$	Reset. The $\overline{\text{RS}}$ signal clears both the address and enable data in the latches resulting in no output (all switches off).

## TYPICAL PERFORMANCE CHARACTERISTICS

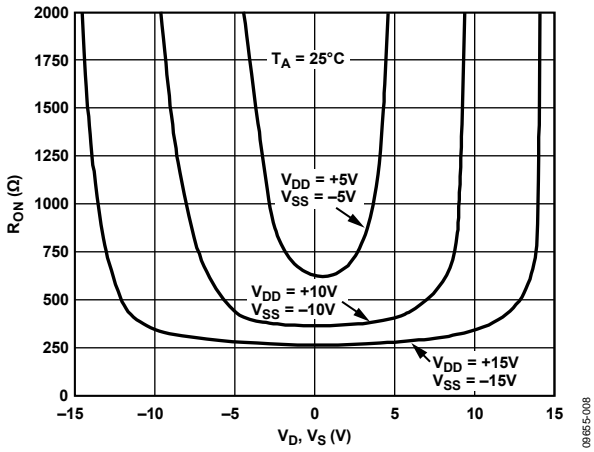


Figure 5. On Resistance as a Function of  $V_D$  ( $V_S$ )

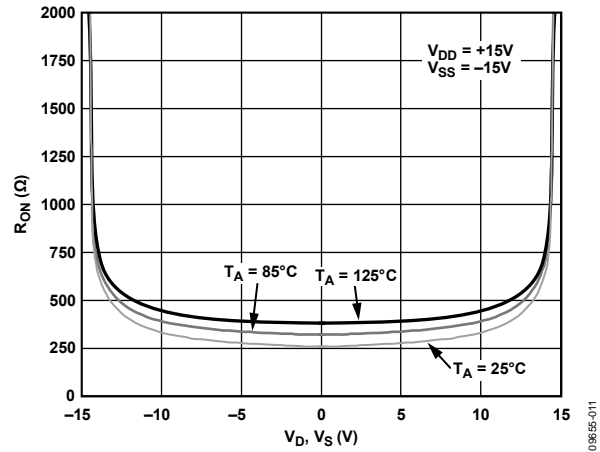


Figure 8. On Resistance as a Function of  $V_D$  ( $V_S$ ) for Different Temperatures

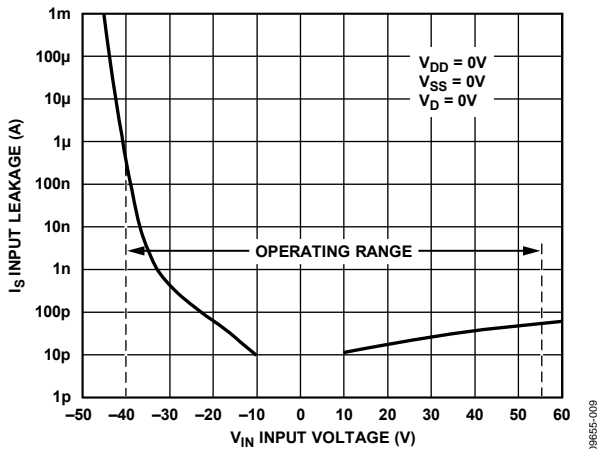


Figure 6. Input Leakage Current as a Function of  $V_S$  (Power Supplies Off) During Overvoltage Conditions

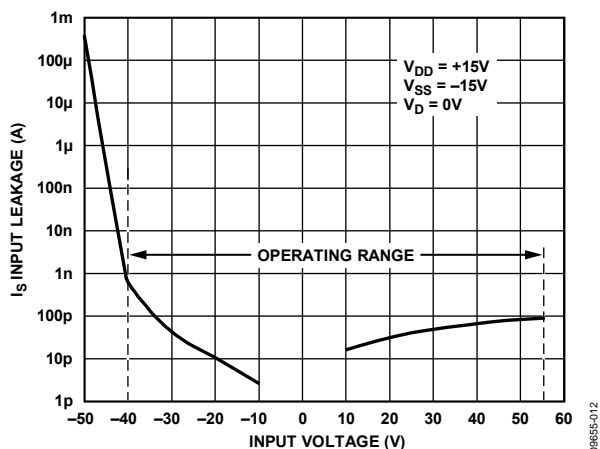


Figure 9. Input Leakage Current as a Function of  $V_S$  (Power Supplies On) During Overvoltage Conditions

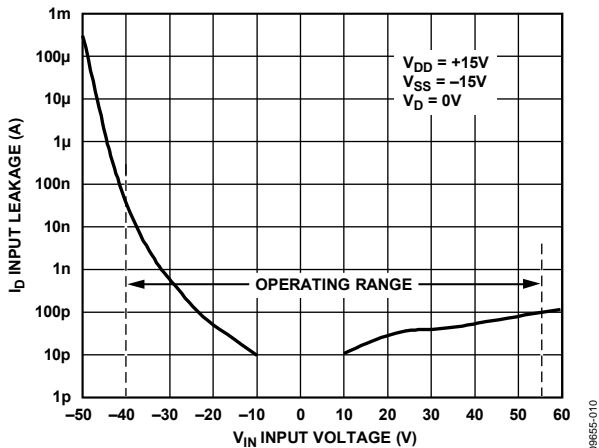


Figure 7. Output Leakage Current as a Function of  $V_S$  (Power Supplies On) During Overvoltage Conditions

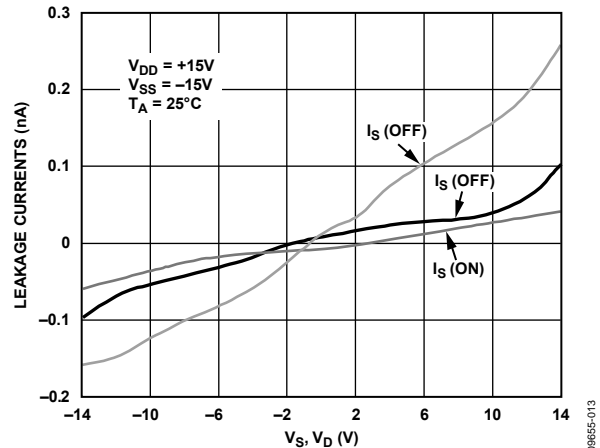


Figure 10. Leakage Currents as a Function of  $V_D$  ( $V_S$ )



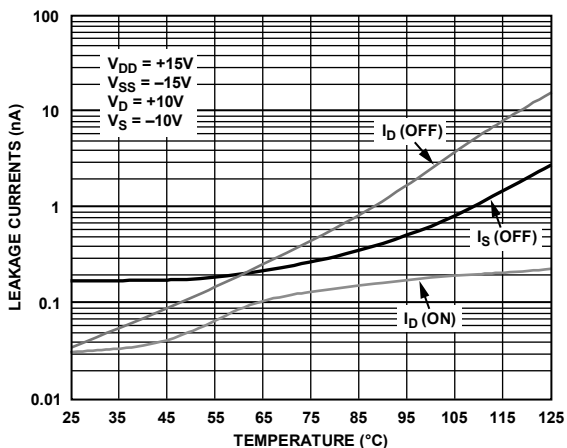


Figure 11. Leakage Currents as a Function of Temperature

09B55-014

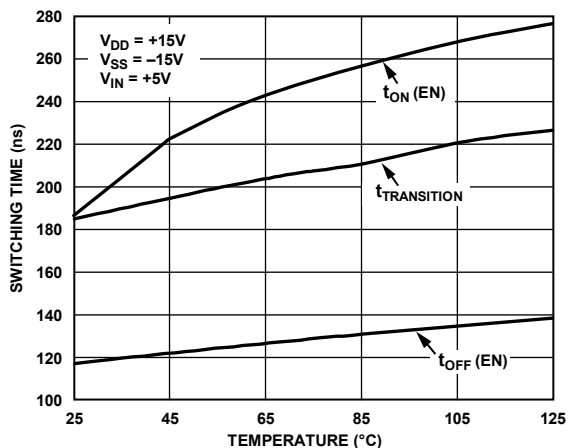


Figure 13. Switching Time vs. Temperature

09B55-016

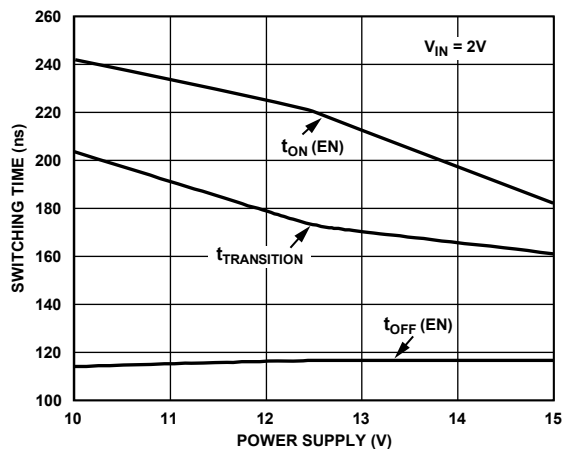


Figure 12. Switching Time vs. Power Supply

09B55-015

## TERMINOLOGY

<b>V<sub>DD</sub></b> Most positive power supply potential.	<b>t<sub>ON (EN)</sub></b> Delay time between the 50% and 90% points of the digital input and switch on condition.
<b>V<sub>SS</sub></b> Most negative power supply potential.	<b>t<sub>OFF (EN)</sub></b> Delay time between the 50% and 90% points of the digital input and switch off condition.
<b>GND</b> Ground (0 V) reference.	<b>t<sub>TRANSITION</sub></b> Delay time between the 50% and 90% points of the digital inputs and the switch on condition when switching from one address state to another.
<b>R<sub>ON</sub></b> Ohmic resistance between D and S.	<b>t<sub>OPEN</sub></b> Off time measured between 80% points of both switches when switching from one address state to another.
<b>R<sub>ON Drift</sub></b> Change in R <sub>ON</sub> when temperature changes by one degree Celsius.	<b>V<sub>INL</sub></b> Maximum input voltage for Logic 0.
<b>R<sub>ON Match</sub></b> Difference between the R <sub>ON</sub> of any two channels.	<b>V<sub>INH</sub></b> Minimum input voltage for Logic 1.
<b>I<sub>S (Off)</sub></b> Source leakage current when the switch is off.	<b>I<sub>INL (I<sub>INH</sub>)</sub></b> Input current of the digital input.
<b>I<sub>D (Off)</sub></b> Drain leakage current when the switch is off.	<b>Off Isolation</b> A measure of unwanted signal coupling through an off channel.
<b>I<sub>D, I<sub>S</sub> (On)</sub></b> Channel leakage current when the switch is on.	<b>Charge Injection</b> A measure of the glitch impulse transferred from the digital input to the analog output during switching.
<b>V<sub>D (V<sub>s</sub>)</sub></b> Analog Voltage on Terminal D and Terminal S.	<b>I<sub>DD</sub></b> Positive supply current.
<b>C<sub>s (Off)</sub></b> Channel input capacitance for off condition.	<b>I<sub>SS</sub></b> Negative supply current.
<b>C<sub>D (Off)</sub></b> Channel output capacitance for off condition.	
<b>C<sub>D, C<sub>s</sub> (On)</sub></b> On switch capacitance.	
<b>C<sub>IN</sub></b> Digital input capacitance.	

## THEORY OF OPERATION

The ADG528F multiplexer is capable of withstanding overvoltages from  $-40\text{ V}$  to  $+55\text{ V}$ , irrespective of whether the power supplies are present or not. Each channel of the multiplexer consists of an n-channel MOSFET, a p-channel MOSFET, and an n-channel MOSFET, connected in series. When the analog input exceeds the power supplies, one of the MOSFETs will switch off, limiting the current to submicroamp levels, thereby preventing the overvoltage from damaging any circuitry following the multiplexer. Figure 14 illustrates the channel architecture that enables these multiplexers to withstand continuous overvoltages.

When an analog input of  $V_{SS} + 3\text{ V}$  to  $V_{DD} - 1.5\text{ V}$  is applied to the ADG528F, the multiplexer behaves as a standard multiplexer, with specifications similar to a standard multiplexer, for example, the on-resistance is  $400\ \Omega$  maximum. However, when an overvoltage is applied to the device, one of the three MOSFETs will turn off.

Figure 14 to Figure 17 show the conditions of the three MOSFETs for the various overvoltage situations. When the analog input applied to an on channel approaches the positive power supply line, the n-channel MOSFET turns off because the voltage on the analog input exceeds the difference between  $V_{DD}$  and the n-channel threshold voltage ( $V_{TN}$ ). When a voltage more negative than  $V_{SS}$  is applied to the multiplexer, the p-channel MOSFET will turn off because the analog input is more negative than the difference between  $V_{SS}$  and the p-channel threshold voltage ( $V_{TP}$ ). Because  $V_{TN}$  is nominally  $1.5\text{ V}$  and  $V_{TP}$  is typically  $3\text{ V}$ , the analog input range to the multiplexer is limited to  $-12\text{ V}$  to  $+13.5\text{ V}$  when a  $\pm 15\text{ V}$  power supply is used.

When the power supplies are present but the channel is off, again either the p-channel MOSFET or one of the n-channel MOSFETs will turn off when an overvoltage occurs.

Finally, when the power supplies are off, the gate of each MOSFET will be at ground. A negative overvoltage switches on the first n-channel MOSFET but the bias produced by the overvoltage causes the p-channel MOSFET to remain turned off. With a positive overvoltage, the first MOSFET in the series will remain off because the gate to source voltage applied to this MOSFET is negative.

During fault conditions, the leakage current into and out of the ADG528F is limited to a few microamps. This protects the multiplexer and succeeding circuitry from over stresses as well as protecting the signal sources, which drive the multiplexer. Also, the other channels of the multiplexer will be undisturbed by the overvoltage and will continue to operate normally.

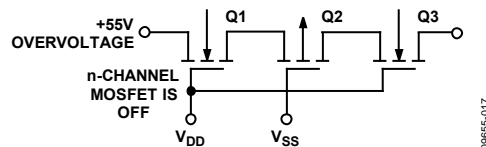


Figure 14. +55 V Overvoltage Input to the On Channel

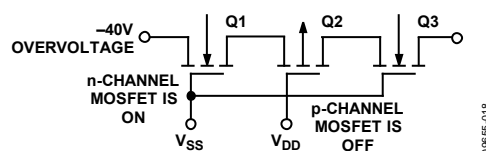


Figure 15.  $-40\text{ V}$  Overvoltage on an Off Channel with Multiplexer Power On

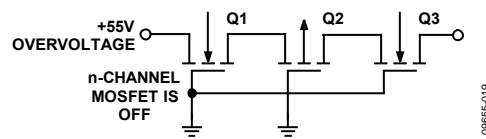


Figure 16. +55 V Overvoltage with Power Off

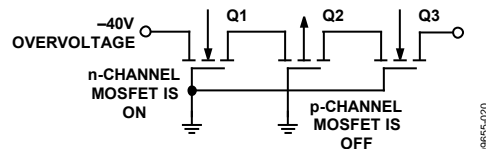


Figure 17.  $-40\text{ V}$  Overvoltage with Power Off

## TEST CIRCUITS

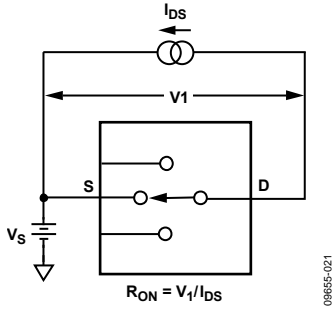


Figure 18. On Resistance

09655-021

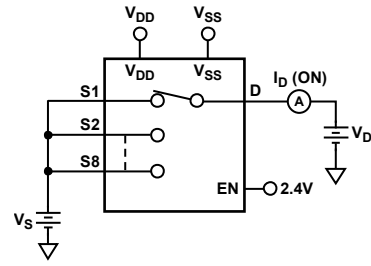


Figure 21.  $I_D$  (On)

09655-025

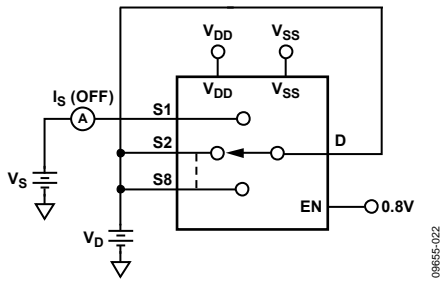


Figure 19.  $I_S$  (Off)

09655-022

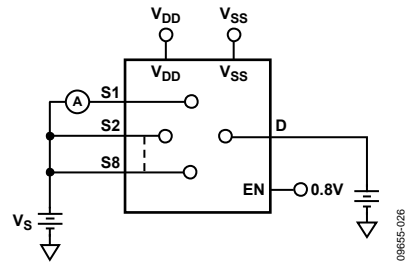


Figure 22. Input Leakage Current (with Overvoltage)

09655-026

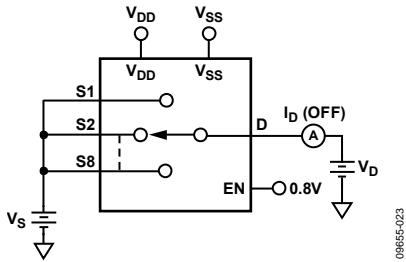


Figure 20.  $I_D$  (Off)

09655-023

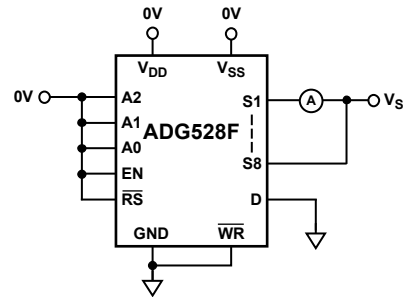


Figure 23. Input Leakage Current (with Power Supplies Off)

09655-027

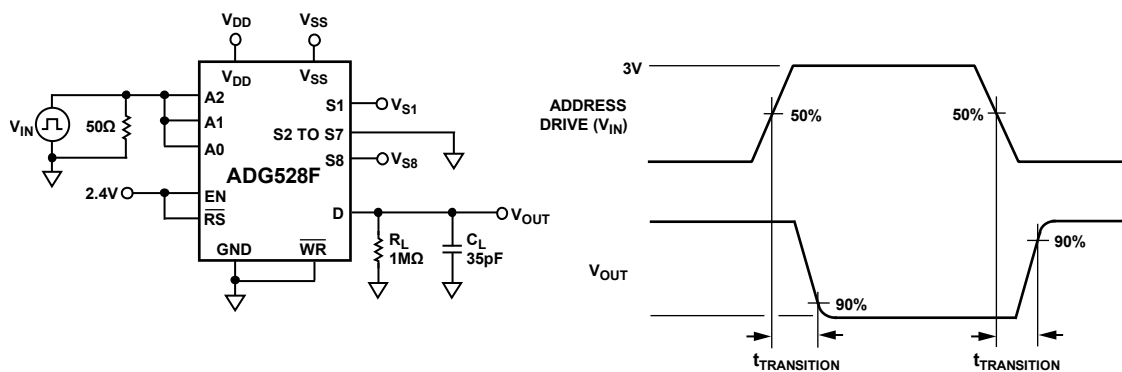


Figure 24. Switching Time of Multiplexer,  $t_{\text{TRANSITION}}$

09655-024

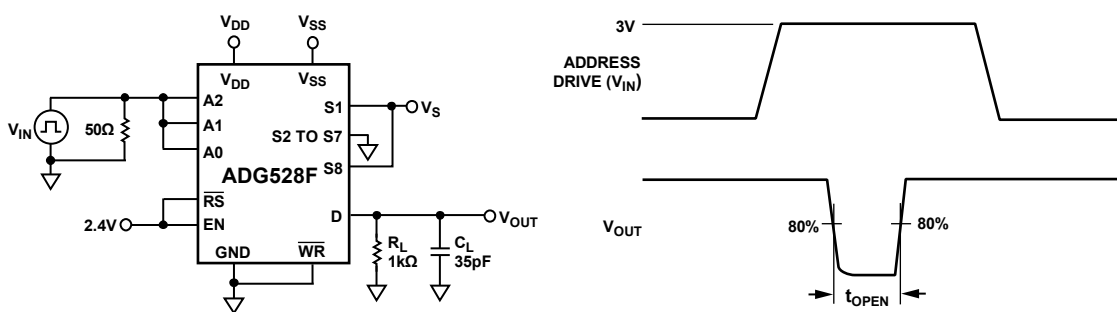


Figure 25. Break-Before-Make Delay,  $t_{\text{OPEN}}$

09655-028

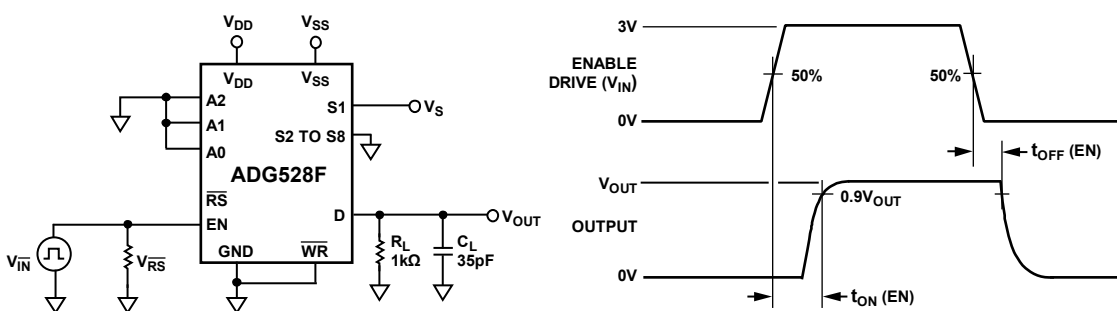


Figure 26. Enable Delay,  $t_{\text{ON}}(\text{EN})$ ,  $t_{\text{OFF}}(\text{EN})$

09655-030

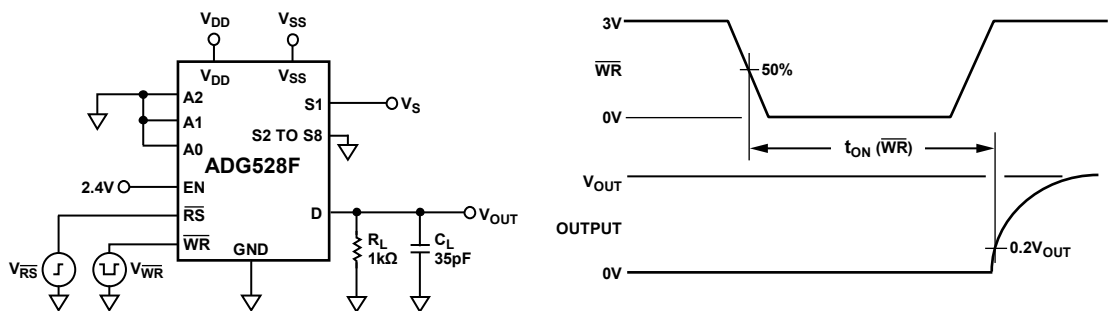


Figure 27. Write Turn-On Time,  $t_{\text{ON}}(\overline{\text{WR}})$

09655-031

# ADG528F

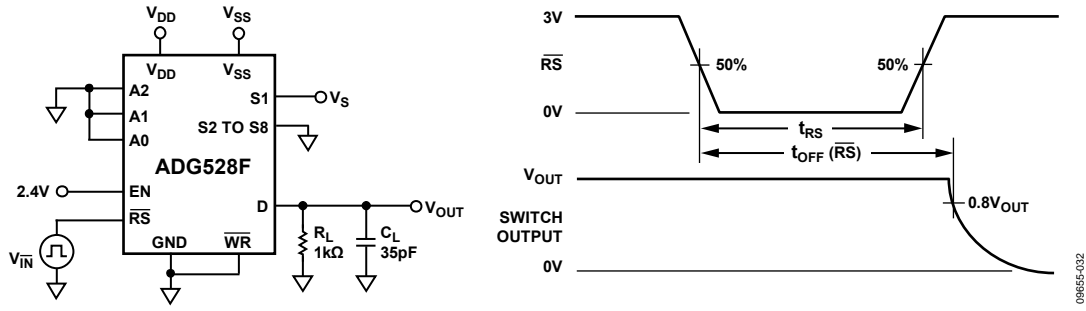


Figure 28. Reset Turn-Off Time,  $t_{OFF}(\overline{RS})$

09655-032

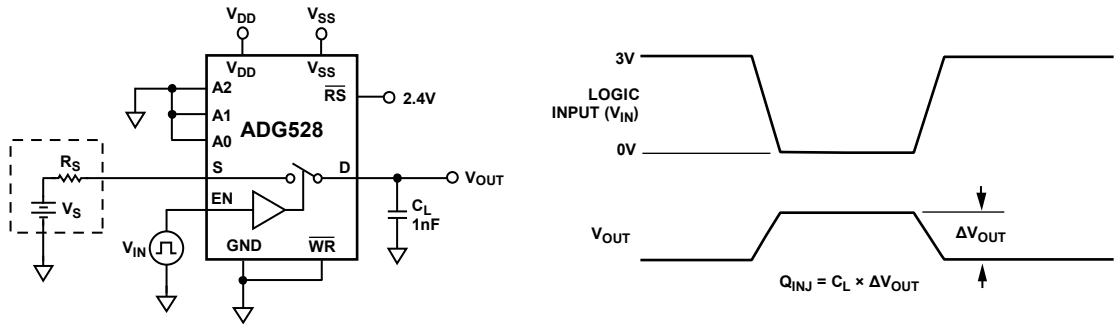


Figure 29. Charge Injection

09655-033

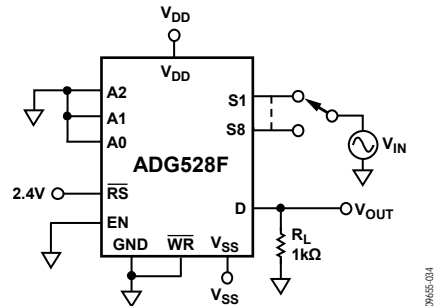
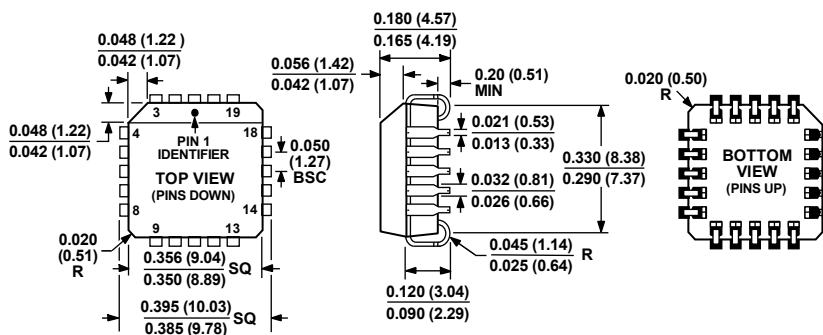


Figure 30. Off Isolation

09655-034

# OUTLINE DIMENSIONS



COMPLIANT TO JEDEC STANDARDS MO-047-AA  
 CONTROLLING DIMENSIONS ARE IN INCHES; MILLIMETER DIMENSIONS  
 (IN PARENTHESES) ARE ROUNDED-OFF INCH EQUIVALENTS FOR  
 REFERENCE ONLY AND ARE NOT APPROPRIATE FOR USE IN DESIGN.

Figure 31. 20-Lead Plastic Leaded Chip Carrier [PLCC]  
 (P-20)

Dimensions shown in inches and (millimeters)

## ORDERING GUIDE

Model <sup>1</sup>	Temperature Range	Package Description	Package Option
ADG528FBP	-40°C to +85°C	20-Lead PLCC	P-20
ADG528FBPZ	-40°C to +85°C	20-Lead PLCC	P-20

<sup>1</sup> Z = RoHS Compliant Part.

**ADG528F**

**NOTES**





Компания «ЭлектроПласт» предлагает заключение долгосрочных отношений при поставках импортных электронных компонентов на взаимовыгодных условиях!

Наши преимущества:

- Оперативные поставки широкого спектра электронных компонентов отечественного и импортного производства напрямую от производителей и с крупнейших мировых складов;
- Поставка более 17-ти миллионов наименований электронных компонентов;
- Поставка сложных, дефицитных, либо снятых с производства позиций;
- Оперативные сроки поставки под заказ (от 5 рабочих дней);
- Экспресс доставка в любую точку России;
- Техническая поддержка проекта, помощь в подборе аналогов, поставка прототипов;
- Система менеджмента качества сертифицирована по Международному стандарту ISO 9001;
- Лицензия ФСБ на осуществление работ с использованием сведений, составляющих государственную тайну;
- Поставка специализированных компонентов (Xilinx, Altera, Analog Devices, Intersil, Interpoint, Microsemi, Aeroflex, Peregrine, Syfer, Eurofarad, Texas Instrument, Miteq, Cobham, E2V, MA-COM, Hittite, Mini-Circuits, General Dynamics и др.);

Помимо этого, одним из направлений компании «ЭлектроПласт» является направление «Источники питания». Мы предлагаем Вам помощь Конструкторского отдела:

- Подбор оптимального решения, техническое обоснование при выборе компонента;
- Подбор аналогов;
- Консультации по применению компонента;
- Поставка образцов и прототипов;
- Техническая поддержка проекта;
- Защита от снятия компонента с производства.



#### Как с нами связаться

**Телефон:** 8 (812) 309 58 32 (многоканальный)

**Факс:** 8 (812) 320-02-42

**Электронная почта:** [org@eplast1.ru](mailto:org@eplast1.ru)

**Адрес:** 198099, г. Санкт-Петербург, ул. Калинина, дом 2, корпус 4, литера А.