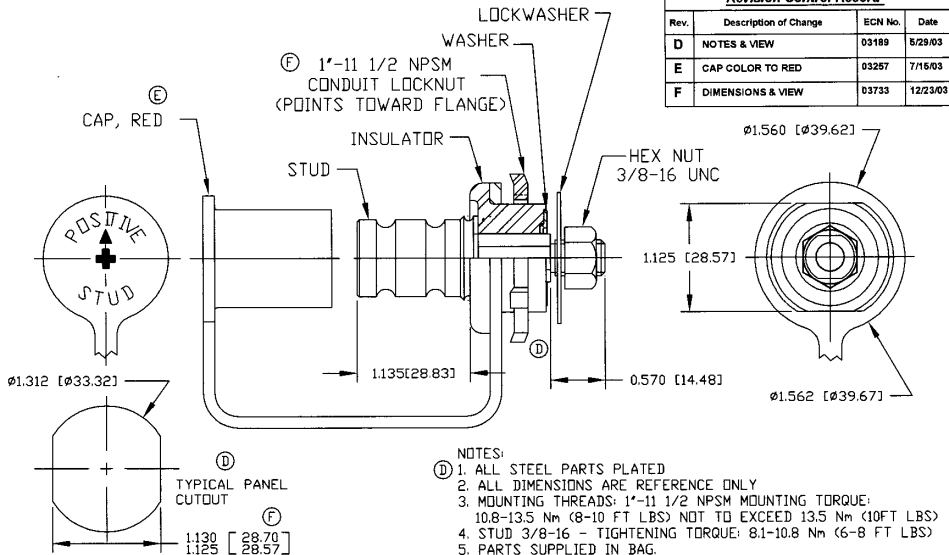


### Revision Control Record

Rev.	Description of Change	ECN No.	Date
D	NOTES & VIEW	03189	5/29/03
E	CAP COLOR TO RED	03257	7/15/03
F	DIMENSIONS & VIEW	03733	12/23/03



#### NOTES:

- ① ALL STEEL PARTS PLATED
- ② ALL DIMENSIONS ARE REFERENCE ONLY
- ③ MOUNTING THREADS: 1'-11 1/2 NPSM MOUNTING TORQUE: 10.8-13.5 Nm (8-10 FT LBS) NOT TO EXCEED 13.5 Nm (10FT LBS)
- ④ STUD 3/8-16 - TIGHTENING TORQUE: 8.1-10.8 Nm (6-8 FT LBS)
- ⑤ PARTS SUPPLIED IN BAG.

**Tolerances.** Unless otherwise specifically noted, the following are default tolerances:

- 2-place Decimal Dimensions  $\pm .02^{\circ}$
- 3-place Decimal Dimensions  $\pm .005^{\circ}$
- Angular Dimensions  $\pm 1.0$  Deg.
- Metric: Refer to equivalent English Dimension Tolerance
- NOTE: All tolerances are Non-Cumulative. ☐

**Dimensional Units.** All dimensions are expressed in inches except those shown in brackets (xxx) are expressed in millimeters

\*RFP - or an As-Built - is Non-Toleranced Reference Dimensions, shown for identification purposes only.

**PROPRIETARY INFORMATION.** This Engineering Drawing, and the information contained herein, is proprietary to Cole Hersee Company and may not be disclosed, re-produced, or in any other way transmitted or communicated to any other party without the express written consent of an authorized representative of Cole Hersee Company.

**DESIGN CONTROL.** It is the responsibility of the individual using/ referring this drawing to assure that the noted design revision level agrees with the revision level of the Controlled Document (Master Drawing). This is a NON-CONTROLLED DOCUMENT unless otherwise specifically noted.

DO NOT SCALE - Dimensional variation may occur during printing/ reproduction.

#### Special Characteristics...

- ☒ Critical Characteristic, relating to Safety and/or Regulatory Compliance
- ☒ Significant Characteristic relating to Process Control (SPC)
- ☒ Key Characteristics relating to Form - Fit - Function as defined by Cole Hersee Company and/or the Customer

(Note that the identification of any Characteristics as being "Special" does not alter the requirement that ALL specified dimensions & tolerances must be met.)



**Cole Hersee Co.**

20 Old Colony Ave., South Boston, MA, 02127  
Phn 617-268-2100 Web: www.coleshersee.com

Description:

**STUD, JUMPER, POS**

Drawing/  
Part No.:

**46210-02**

Current Rev.

**F**

Used On  
or Ref:

Scale: **1:1**

Drawn By: **DPS**

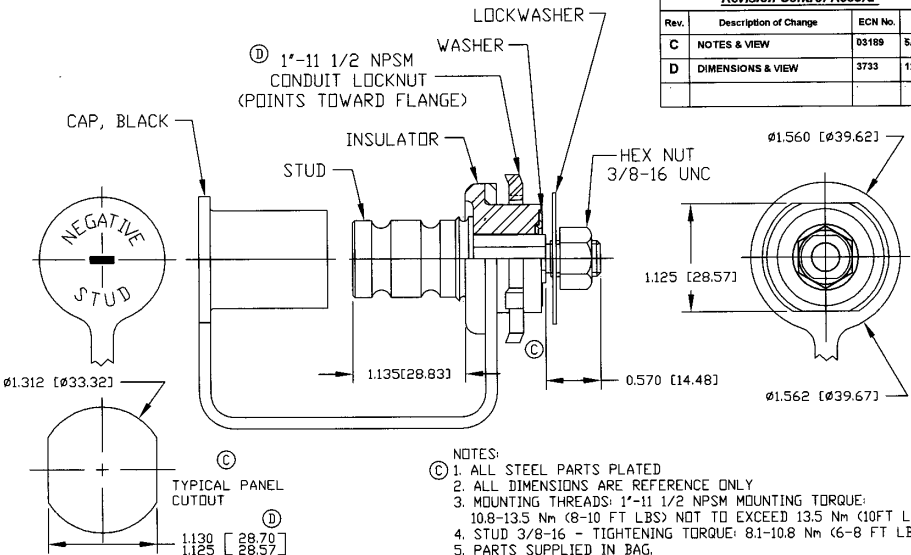
Date Drawn: **8/07/80**

Responsible Engineer: **SAM**

Pg. 1 of 1

### Revision Control Record

Rev.	Description of Change	ECN No.	Date
C	NOTES & VIEW	03189	5/29/03
D	DIMENSIONS & VIEW	3733	12/23/03



**NOTES:**

- (C) 1. ALL STEEL PARTS PLATED  
 2. ALL DIMENSIONS ARE REFERENCE ONLY  
 3. MOUNTING THREADS: 1"-11 1/2 NPSM MOUNTING TORQUE:  
 10.8-13.5 Nm (8-10 FT LBS) NOT TO EXCEED 13.5 Nm (10FT LBS)  
 4. STUD 3/8-16 - TIGHTENING TORQUE: 8.1-10.8 Nm (6-8 FT LBS)  
 5. PARTS SUPPLIED IN BAG.

**Tolerances.** Unless otherwise specifically noted, the following are default tolerances:

- \* 2-place Decimal Dimensions  $\pm .02$ "
- \* 3-place Decimal Dimensions  $\pm .005$ "
- \* Angular Dimensions  $\pm 1.0$  Deg.
- \* Metric: Refer to equivalent English Dimension Tolerance
- >>> NOTE: All tolerances are Non-Cumulative. <<<

**Dimensional Units.** All dimensions are expressed in inches except those shown in brackets (xxx) are expressed in millimeters

\*RRP" or an Abbreviated C" = Non-Tolerance Reference Dimension, shown for identification purposes only.

**PROPRIETARY INFORMATION.** This Engineering Drawing, and the information contained herein, is proprietary to Cole Hersee Company and may not be disclosed, re-produced, or in any other way transferred or communicated to any other party without the express written consent of an authorized representative of Cole Hersee Company.

**DESIGN CONTROL.** It is the responsibility of the individual using/ referring this drawing to ensure that the noted design revision level agrees with the revision level of the Controlled Document (Master Drawing). This is a NON-CONTROLLED DOCUMENT unless otherwise specifically noted.

DO NOT SCALE - Dimensional variation may occur during printing/ reproduction.

**Special Characteristics.**

- Critical Characteristic, relating to Safety and/or Regulatory Compliance
- Significant Characteristics relating to Process Control (SPC)
- Key Characteristic relating to Form - Fit - Function as defined by Cole Hersee Company and/or the Customer.

(Note that the Identification of any Characteristics as being "Special" does not alter the requirement that ALL specified dimensions & tolerances must be met.)



**Cole Hersee Co.**

20 Old Colony Ave., South Boston, MA, 02127  
 Phone 617-268-2100 Web: www.colehersee.com

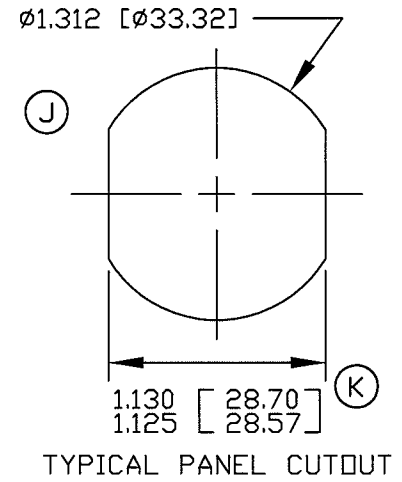
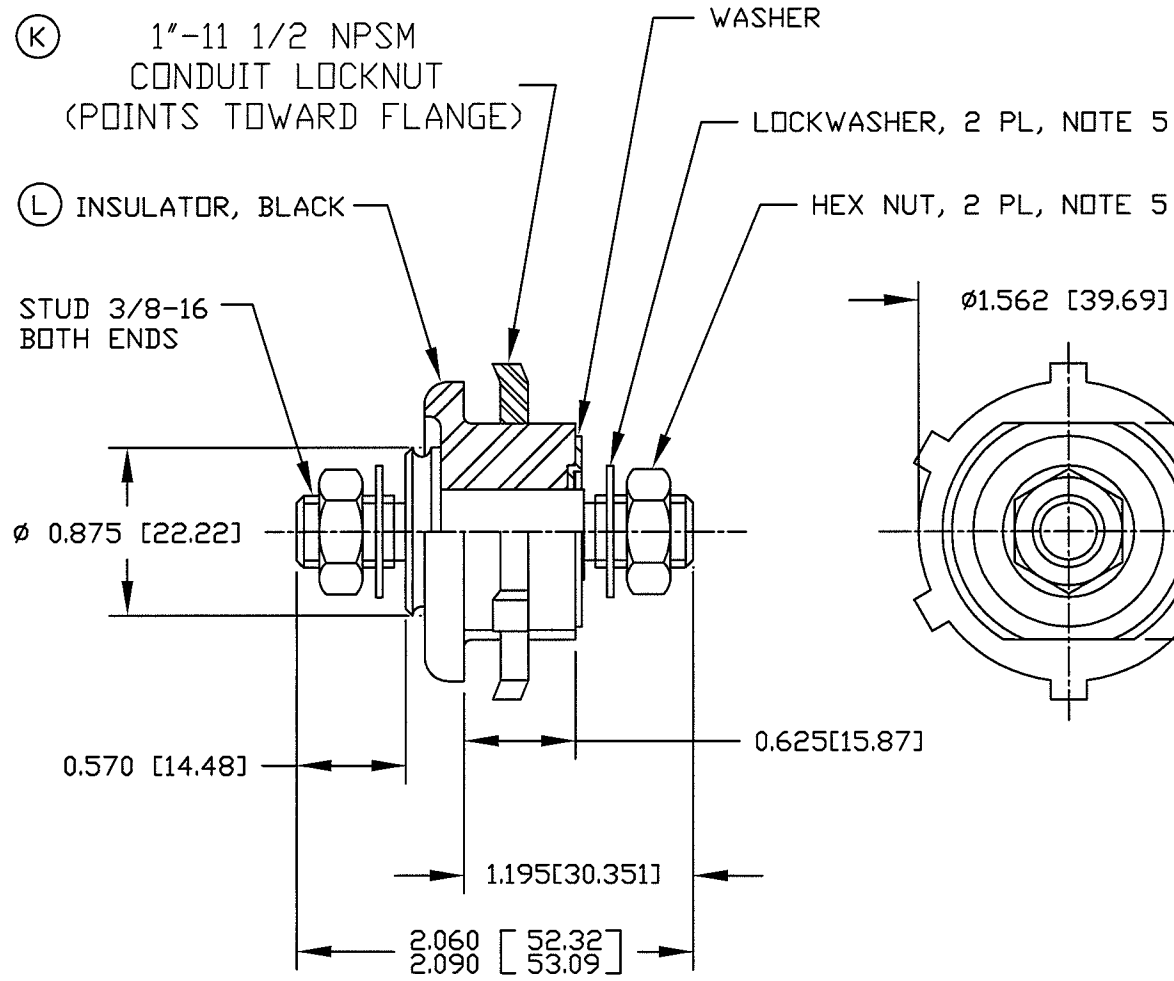
**Description:** JUMPER STUD, NEG.

**Drawing / Part No.:** 46210-03

**Current Rev.**

D

Revision Control Record			
Rev.	Description of Change	ECN No.	Date
H	NOTE 5	00685	9/13/00
J	NOTES & VIEW	03189	5/30/03
K	DIMENSIONS & VIEW	12/23/03	12/23/03
L	ADDED BLACK	12085	03/16/12



- J** NOTES:
1. ALL STEEL PARTS PLATED
  2. ALL DIMENSIONS ARE REFERENCE ONLY
  3. MOUNTING THREADS 1"-11 1/2 NPSM- MOUNTING TORQUE 10.8-13.5 Nm (8-10 FT LBS) NOT TO EXCEED 13.5 Nm (10 FT LBS)
  4. STUD 3/8-16 TIGHTENING TORQUE 8.1-10.8 Nm (6-8 FT LBS)
  5. PARTS SUPPLIED IN BAG

**Tolerances** Unless otherwise specifically noted, the following are default tolerances:  
 \* 2-place Decimal Dimensions +/- .02"  
 \* 3-place Decimal Dimensions +/- .005"  
 \* Angular Dimensions +/- 1.0 Deg.  
 \* Metric: Refer to equivalent English Dimension Tolerance  
 >>> NOTE: All tolerances are Non-Cumulative. <<<

**Dimensional Units** All dimensions are expressed in inches except those shown in brackets (xxx) are expressed in millimeters

"REF." or an Asterisk (\*) = Non-Toleranced Reference Dimension, shown for clarification purposes only.

**PROPRIETARY INFORMATION** This Engineering Drawing, and the information contained herein, is proprietary to Cole Hersee Company and may not be disclosed, re-produced, or in any other way transferred or communicated to any other party without the express written consent of an authorized representative of Cole Hersee Company.

**DESIGN CONTROL** It is the responsibility of the individual using / referencing this drawing to assure that the noted design revision level agrees with the revision level of the Controlled Document (Master Drawing). This is a NON-CONTROLLED DOCUMENT unless otherwise specifically noted.

DO NOT SCALE - Dimensional variation may occur during printing / reproduction.

**Special Characteristics:**

**CC** Critical Characteristic, relating to Safety and/or Regulatory Compliance

**X** Significant Characteristic relating to Process Control (SPC)

**KC** Key Characteristic relating to Form - Fit - Function as defined by Cole Hersee Company and/or the Customer

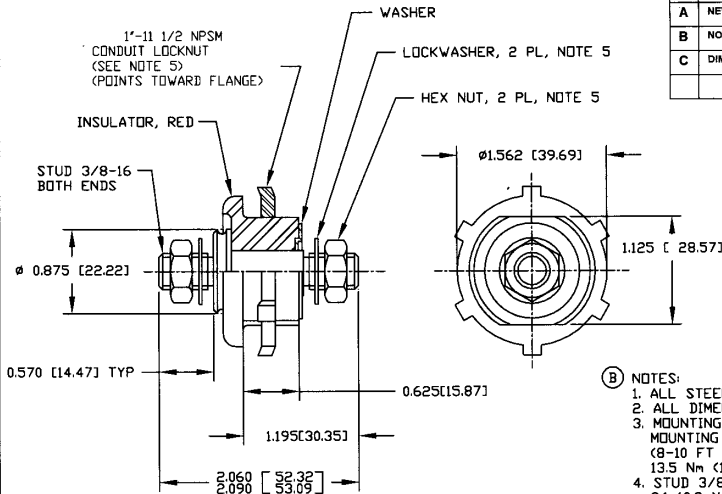
(Note that the identification of any Characteristics as being "Special" does not alter the requirement that ALL specified dimensions & tolerances must be met.)

**Cole Hersee Co.**  
 20 Old Colony Ave., South Boston, MA, 02127  
 Phn: 617-268-2100 Web: www.colehersee.com

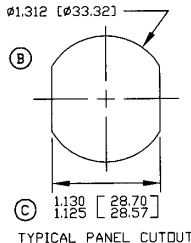
**Description:** FEED THRU STUD

**Drawing / Part No.:** 46211-01

**Current Rev.:** L



<u>Revision Control Record</u>			
Rev.	Description of Change	ECN No.	Date
A	NEW PART	02609	12/23/02
B	NOTES & VIEW	03189	5/30/03
C	DIMENSIONS & VIEW	03733	12/24/03



- (B) NOTES:
1. ALL STEEL PARTS PLATED
  2. ALL DIMENSIONS ARE REFERENCE ONLY
  3. MOUNTING THREADS 1'-11 1/2 NPSM-MOUNTING TORQUE 10.8-13.5 Nm (8-10 FT LBS) NOT TO EXCEED 13.5 Nm (10 FT LBS)
  4. STUD 3/8-16 TIGHTENING TORQUE 8.1-10.8 Nm (6-8 FT LBS)
  5. ALL HARDWARE SUPPLIED IN BAG

**TOLERANCES:** Unless otherwise specifically noted, the following are default tolerances:  
 \* 3-place Decimal Dimensions  $\pm .02"$   
 \* 3-place Decimal Dimensions  $\pm .005"$   
 \* Angular Dimensions  $\pm 1.0$  Deg.  
 \* Metric: Refer to equivalent English Dimension Tolerance  
 \* >>> NOTE: All tolerances are Non-Cumulative. <<<

**PROPRIETARY INFORMATION:** This Engineering Drawing, and the information contained herein, is proprietary to Cole Hersee Company and may not be disclosed, re-produced, or in any other way transferred or communicated to any other party without the express written consent of an authorized representative of Cole Hersee Company.

**DESIGN CONTROL:** It is the responsibility of the individual using/ referring this drawing to ensure that the noted design revision level agrees with the revision level of the Controlled Document (Drawing/ Drawing). This is a NON-CONTROLLED DOCUMENT unless otherwise specifically noted.

**DO NOT SCALE:** Dimensional variation may occur during printing/ reproduction.

Special Characteristics:

- Critical Characteristics, relating to Safety and/or Regulatory Compliance
- Significant Characteristics relating to Process Control (SPC)
- Key Characteristics relating to Form - FE - Function as defined by Cole Hersee Company and/or the Customer

(Note that the identification of any Characteristics as being "Special" does not alter the requirement that ALL specified dimensions & tolerances must be met.)



**Cole Hersee Co.**

20 Old Colony Ave., South Boston, MA, 02127  
 Phone 617-268-3100 Web: www.colehersee.com

Description:

**FEED THRU STUD**

Drawing / Part No.:

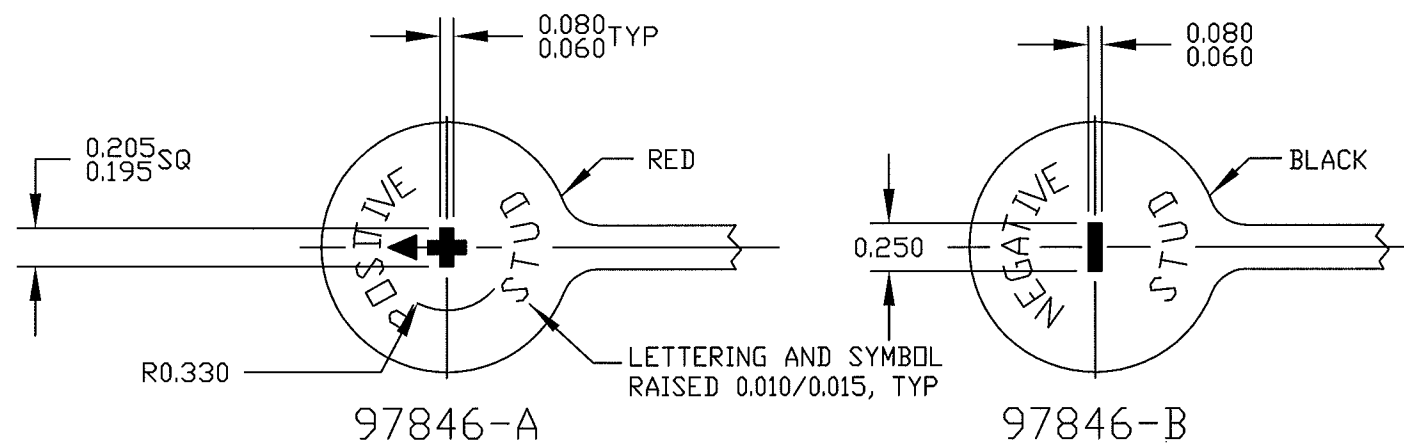
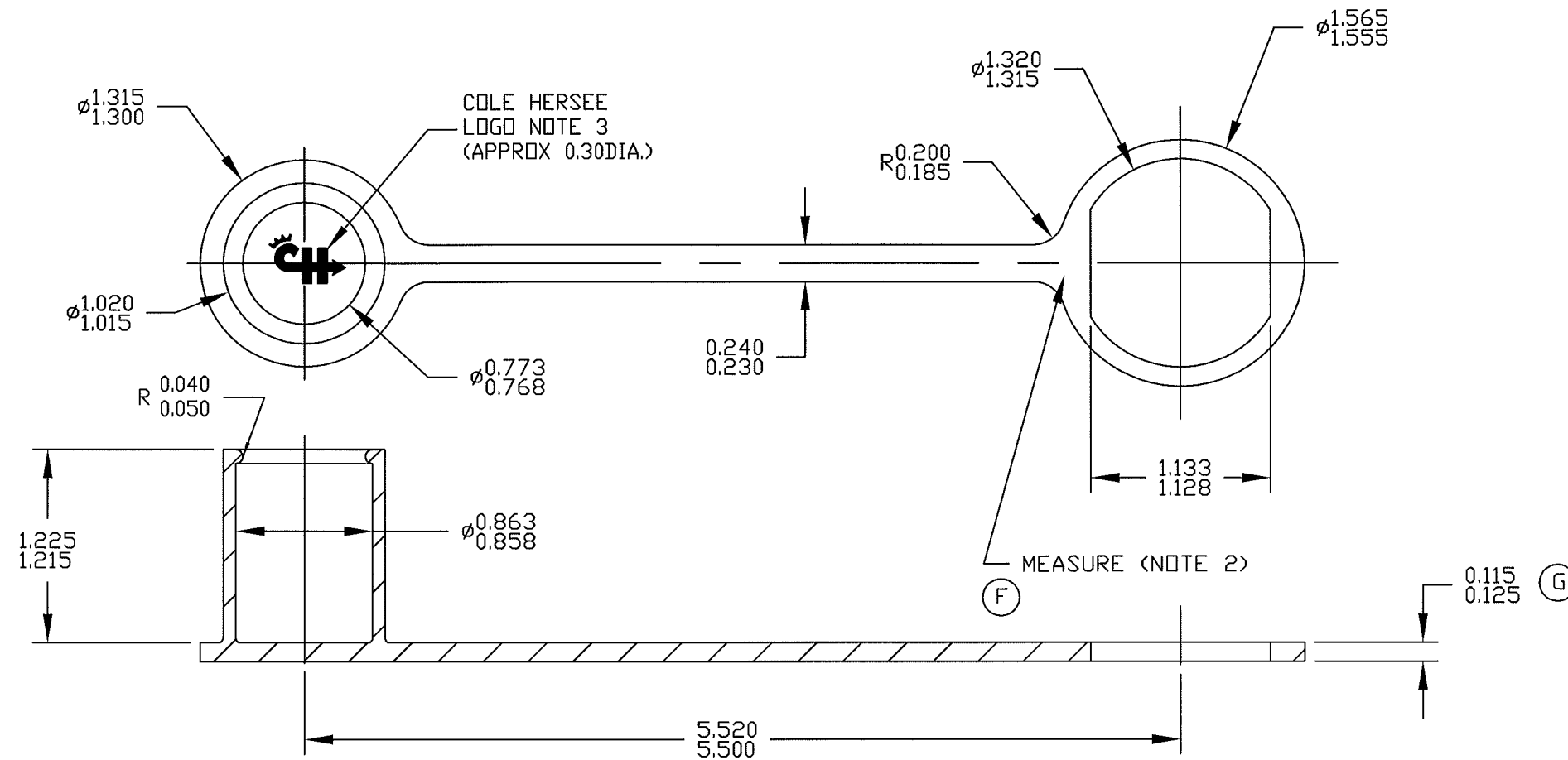
**46211-R**

Current Rev.:

**C**

**Revision Control Record**

Rev.	Description of Change	ECN No.	Date
E	AUTOCAD, LOGO	05424	10/26/05
F	NOTE 2 CHANGE	06300	9/07/06
G	ADDED DIM	11233	7/20/11



- NOTES:  
 1. MATERIAL: COASTAL DC-834, PVC  
 2. DURAMETER 60-75 SHORE A, PER ASTM SPEC. D-2287  
 3. FOR LOGO PROPORTIONS SEE COLE HERSEE DRAWING TA 139

**Tolerances** Unless otherwise specifically noted, the following are default tolerances:  
 \* 2-place Decimal Dimensions +/- .02"  
 \* 3-place Decimal Dimensions +/- .005"  
 \* Angular Dimensions +/- 1.0 Deg.  
 \* Metric: Refer to equivalent English Dimension Tolerance  
 >>> NOTE: All tolerances are Non-Cumulative. <<<

**Dimensional Units** All dimensions are expressed in inches except those shown in brackets (xxx) are expressed in millimeters

"REF." or an Asterisk (\*) = Non-Toleranced Reference Dimension, shown for clarification purposes only.

Used On EX18810A-10 or Ref.: 46210-01 Scale: 1:1

**PROPRIETARY INFORMATION** This Engineering Drawing, and the information contained herein, is proprietary to Cole Hersee Company and may not be disclosed, re-produced, or in any other way transferred or communicated to any other party without the express written consent of an authorized representative of Cole Hersee Company.

**DESIGN CONTROL** It is the responsibility of the individual using/ referencing this drawing to assure that the noted design revision level agrees with the revision level of the Controlled Document (Master Drawing). This is a NON-CONTROLLED DOCUMENT unless otherwise specifically noted.

DO NOT SCALE - Dimensional variation may occur during printing/ reproduction.

Drawn By: RMT Date Drawn: 6/19/80

**Special Characteristics:**

- Critical Characteristic, relating to Safety and/or Regulatory Compliance
- Significant Characteristic relating to Process Control (SPC)
- Control Dimension relating to Form - Fit - Function as defined by Cole Hersee Company and/or the Customer

(Note that the identification of any Characteristics as being "Special" does not alter the requirement that ALL specified dimensions & tolerances must be met.)

Responsible Engineer: SAM Pg. 1 of 1

**Cole Hersee Co.**  
 20 Old Colony Ave., South Boston, MA, 02127  
 Phn: 617-268-2100 Web: www.colehersee.com

**Description:**  
**CAP**

**Drawing / Part No.:** 97846-A & B

**G**



Компания «ЭлектроПласт» предлагает заключение долгосрочных отношений при поставках импортных электронных компонентов на взаимовыгодных условиях!

Наши преимущества:

- Оперативные поставки широкого спектра электронных компонентов отечественного и импортного производства напрямую от производителей и с крупнейших мировых складов;
- Поставка более 17-ти миллионов наименований электронных компонентов;
- Поставка сложных, дефицитных, либо снятых с производства позиций;
- Оперативные сроки поставки под заказ (от 5 рабочих дней);
- Экспресс доставка в любую точку России;
- Техническая поддержка проекта, помощь в подборе аналогов, поставка прототипов;
- Система менеджмента качества сертифицирована по Международному стандарту ISO 9001;
- Лицензия ФСБ на осуществление работ с использованием сведений, составляющих государственную тайну;
- Поставка специализированных компонентов (Xilinx, Altera, Analog Devices, Intersil, Interpoint, Microsemi, Aeroflex, Peregrine, Syfer, Eurofarad, Texas Instrument, Miteq, Cobham, E2V, MA-COM, Hittite, Mini-Circuits, General Dynamics и др.);

Помимо этого, одним из направлений компании «ЭлектроПласт» является направление «Источники питания». Мы предлагаем Вам помощь Конструкторского отдела:

- Подбор оптимального решения, техническое обоснование при выборе компонента;
- Подбор аналогов;
- Консультации по применению компонента;
- Поставка образцов и прототипов;
- Техническая поддержка проекта;
- Защита от снятия компонента с производства.



#### Как с нами связаться

**Телефон:** 8 (812) 309 58 32 (многоканальный)

**Факс:** 8 (812) 320-02-42

**Электронная почта:** [org@eplast1.ru](mailto:org@eplast1.ru)

**Адрес:** 198099, г. Санкт-Петербург, ул. Калинина, дом 2, корпус 4, литера А.