

## DS500SPE

500 Watts Distributed Power System

### Data Sheet

**Front-end Bulk Power**  
**Total Output Power:**  
 500 W continuous  
**Wide Input Voltage:**  
 90 to 264 Vac

### SPECIAL FEATURES

- 500 W output power
- High-power and short form factor
- 1U power supply
- Active Power Factor Correction
- EN61000-3-2 Harmonic compliance
- Inrush current control
- 80plus Platinum efficiency
- N+1 or N+N redundant
- Hot-pluggable
- Active current sharing
- Full digital control
- PMBus compliant
- Compatible with Artesyn's Universal PMBus GUI
- Reverse airflow option
- Two-year warranty

### COMPLIANCE

- Conducted/Radiated EMI Class A Limits + 6 dB margin
- EN61000-4-11

### SAFETY

- UL/cUL
- Demko +CB Report
- CE Mark
- CCC
- BSMI



### Electrical Specifications

Input						
Input range	90 - 264 Vac					
Frequency	47 Hz to 63 Hz					
Efficiency	94.0% peak					
Max Input current	6.6 Arms @ 90 Vac					
Inrush current	38 Apk					
Conducted EMI	Class A with 6 dB margin					
Radiated EMI	Class A with 6 dB margin					
Power factor	>0.9 beginning at 20% load					
ITHD	10%					
Leakage current	1.75 mA					
Hold-up time	10 ms at full load					
Output						
	Main DC Output			Standby DC Output		
	MIN	NOM	MAX	MIN	NOM	MAX
Nominal setting	-0.20%	12	0.20%	-1%	12	1%
Total output regulation range	11.4 V		12.6 V	11.4 V		12.6 V
Dynamic load regulation range	11.4 V		12.6 V	11.4 V		12.6 V
Output ripple			150 mVp-p			150 mVp-p
Output current	0.5 A <sup>1</sup>		41.6 A	0.1 A		3.0 A
Current sharing	Within ±5% of full load rating			N/A		
Capacitive loading	700 uF		5,000 uF	47 uF		680 uF
Start-up from AC to output			2200 ms			1700 ms
Output rise time	5 ms		50 ms	2 ms		60 ms

<sup>1</sup> Minimum current for transient load response testing only. Unit is designed to operate and be within output regulation range at zero load.

## Electrical Specifications

### Protections

Main Output	MIN	NOM	MAX
Over-current protection <sup>2</sup>	120%		150%
Over-voltage protection <sup>1</sup>	13.5 V		15.0 V
Under-voltage protection	10.5 V		11.0 V
Over-temperature protection		Yes	
Fan fault protection		Yes	
Standby Output			
Over-current protection <sup>3</sup>	120%		150%
Over-voltage protection <sup>3</sup>	13.5 V		15.0 V
Under-voltage protection	10.0 V		11.0 V

<sup>1</sup> Latch mode

<sup>2</sup> Autorecovery if the overcurrent is less than 120% and last only for <500 ms

<sup>3</sup> Standby protection is auto-recovery

## Ordering Information

Model Number	Nominal Main Output	Standby Output	Airflow Direction
DS500SPE-3	12 V @ 41.6 A	12 V @ 3 A	Standard (forward)
DS500SPE-3-001	12 V @ 41.6 A	12 V @ 3 A	Reverse

## Control and Status Signals

### Input Signals

#### PSON\_L

Active LOW signal which enables/disables the main output. Pulling this signal LOW will turn-on the main output. Recommended pull-up resistor to 12 VSB is 8.2 k with a 3.0 k pull-down to ground. A 100 pF decoupling capacitor is also recommended.

		MIN	MAX
$V_{IL}$	Input logic level LOW		0.8 V
$V_{IH}$	Input logic level HIGH	2.0 V	5.0 V
$I_{SOURCE}$	Current that may be sourced by this pin		2 mA
$I_{SINK}$	Current that may be sunk by this pin at low state		0.5 mA

#### PSKILL\_L

First break/last mate active LOW signal which enables/disables the main output. This signal will have to be pulled to ground at the system side with a 220 ohm resistor. A 100 pF decoupling capacitor is also recommended.

		MIN	MAX
$V_{IL}$	Input logic level LOW		0.8 V
$V_{IH}$	Input logic level HIGH	2.0 V	5.0 V
$I_{SOURCE}$	Current that may be sourced by this pin		2 mA
$I_{SINK}$	Current that may be sunk by this pin at low state		0.5 mA

## Control and Status Signals

### Output Signals

#### ACOK

Signal used to indicate the presence of AC input to the power supply. A logic level HIGH will indicate that the AC input to the power supply is within the operating range while a logic level LOW will indicate that AC has been lost.

This is an open collector/drain output. This pin is pulled high by a 1.0 kohm resistor connected to 3.3 V inside the power supply. It is recommended that this pin be connected to a 100 pF decoupling capacitor and pulled down by a 100 kohm resistor.

		MIN	MAX
$V_{IL}$	Input logic level LOW		0.6 V
$V_{IH}$	Input logic level HIGH	2.0 V	5.0 V
$I_{SOURCE}$	Current that may be sourced by this pin		3.3 mA
$I_{SINK}$	Current that may be sunk by this pin at low state		0.7 mA

#### PWR\_GOOD/PWOK

Signal used to indicate that main output voltage is within regulation range. The PWR\_GOOD signal will be driven HIGH when the output voltage is valid and will be driven LOW when the output falls below the under-voltage threshold.

This signal also gives an advance warning when there is an impending power loss due to loss of AC input or system shutdown request. More details in the Timing Section.

This is an open collector/drain output. This pin is pulled high by a 1.0 kohm resistor connected to 3.3 V inside the power supply. It is recommended that this pin be connected to a 100 pF decoupling capacitor and pulled down by a 10 kohm resistor.

		MIN	MAX
$V_{IL}$	Input logic level LOW		0.8 V
$V_{IH}$	Input logic level HIGH	2.0 V	5.0 V
$I_{SOURCE}$	Current that may be sourced by this pin		3.3 mA
$I_{SINK}$	Current that may be sunk by this pin at low state		0.7 mA

#### PS\_PRESENT

Signal used to indicate to the system that a power supply is inserted in the power bay. This pin is shorted to the standby return in the power supply. Recommended pull-up resistor to 12 VSB is 8.2 k with a 3.0 k pull-down to ground. A 100 pF decoupling capacitor is also recommended.

#### PS\_INTERRUPT\_L

Active low signal used by the power supply to indicate to the system that a change in power supply status has occurred. This event can be triggered by faults such as OVP, OCP, OTP, and fan fault. This signal can be cleared by a CLEAR\_FAULT command. Recommended pull-up resistor to 12 VSB is 8.2 k with a 3.0 k pull-down to ground. A 100 pF decoupling capacitor is also recommended.

		MIN	MAX
$V_{IL}$	Input logic level LOW		0.8 V
$V_{IH}$	Input logic level HIGH	2.0 V	5.0 V
$I_{SOURCE}$	Current that may be sourced by this pin		4 mA
$I_{SINK}$	Current that may be sunk by this pin at low state		4 mA

### BUS Signals

#### ISHARE

Bus signal used by the power supply for active current sharing. All power supplies configured in the system for n+n sharing will refer to this bus voltage in order to load share.

Voltage Range	The range of this signal for active sharing will be up to 8.0 V, which corresponds to the maximum output current.		
		MIN	MAX
$I_{SHARE}$ Voltage	Vshare at 100% load, stand-alone unit	7.75	8.25
	Voltage at 50% load, stand-alone unit	3.85	4.15
	Voltage at 0% load, stand-alone unit	0	0.3
$I_{SOURCE}$	Current that may be sourced by this pin		160 mA

#### SCL, SDA

Clock and data signals defined as per I<sup>2</sup>C requirements. It is recommended that these pins be pulled-up to a 2.2 kohm resistor to 3.3 V and a 100 pF decoupling capacitor at the system side.

		MIN	MAX
VL	Input logic level LOW		0.8 V
VH	Input logic level HIGH	2.0 V	5.0 V

Note: All signal noise levels are below 400 mVpk-pk from 0 - 100 MHz.

I<sup>2</sup>C Addressing Table: Not applicable. This power supply has a fixed I<sup>2</sup>C address. In order to support multiple addresses, the system will have to utilize a switcher or an I<sup>2</sup>C expander.

## Electrical Specifications

### LED Indicators

A single bi-color LED is used to indicate the power supply status.

	Status LED
No AC input to PSU	Off
Main output ON	Solid GREEN
Standby mode or Power supply failure (OCP, OVP, OTP, FAN FAULT)	Blinking AMBER

### Firmware Reporting And Monitoring

	Accuracy Range		
Output loading	5 to 20%	20 to 50%	50 to 100%
Input voltage	±5%		
Input current	±0.55 A fixed error	±4%	
Input power	±6.25 W at <125 W input	±5%	
Output voltage	±2%		
Output current	1.5 A fixed error	±3%	
Temperature	±5 °C on the operating range		
$E_{IN}$	±15% from 10% to 20% load	±5%	
Fan speed	Actual RPM ±250 RPM		

PMBus	YES
Remote ON/OFF	YES

### Timing Specifications

	Description	Min	Max	Unit
$T_{sb\_On}$	Delay from AC being applied to standby output being within regulation	20	2000	ms
$T_{sb\_ACOK}$	Delay from standby output to ACOK assertion	<i>See note below</i>	20	ms
$T_{sb\_Vout}$	Delay from standby output to main output voltage being within regulation		300	ms
$T_{AC\_On\_Delay}$	Delay from AC being applied to main output being within regulation		2300	ms
$T_{PWR\_GOOD\_On}$	Delay from output voltages within regulation limits to PWOK asserted	100	1000	ms
$T_{ACOK\_Delay}$	Delay from loss of AC to assertion of ACOK		7	ms
$T_{PWR\_GOOD\_Hold-up}$	Delay from loss of AC to deassertion of PWOK	10		ms
$T_{Vout\_Hold-up}$	Delay from loss of AC to main output being within regulation	11		ms
$T_{sb\_Hold-up}$	Delay from loss of AC to standby output being within regulation	150		ms
$T_{PWR\_GOOD\_Off}$	Delay from deassertion of PWOK to output falling out of regulation	1		ms
$T_{PSON\_On\_Delay}$	Delay from PSON assertion to output being within regulation		350	ms
$T_{PWOK\_Low}$	Duration of PWOK being in deasserted state during an ON/OFF cycle of PSU	N/A	N/A	

**Note:**  $T_{Vout\_hold-up}$ : tested at 1A load on standby output  
 $T_{sb\_ACOK}$ : ACOK can assert earlier than the standby output

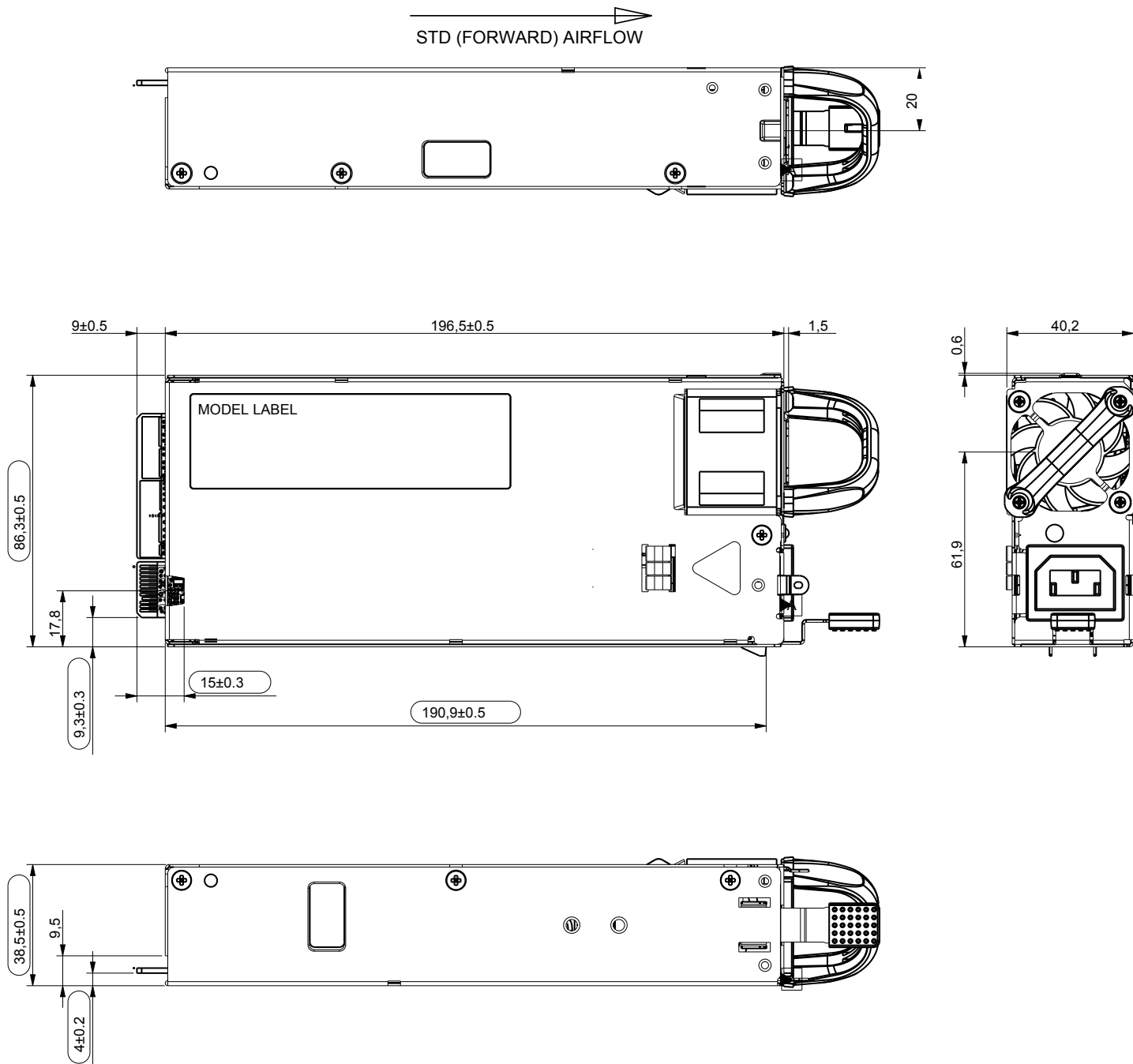
## Timing Diagram



## Environmental Specifications

<b>Operating temperature</b>	0 to 50 °C, withstand operation up to 60 °C at 300 W output power without damage
<b>Operating altitude</b>	up to 10,000 feet at 35°C, 500W
<b>Operating relative humidity</b>	20% to 95% non-condensing
<b>Non-operating temperature</b>	-40 to +70 °C
<b>Non-operating relative humidity</b>	10% to 95% non-condensing
<b>Non-operating altitude</b>	up to 50,000 feet
<b>Vibration and shock</b>	Standard operating/non-operating random shock and vibration
<b>ROHS compliance</b>	Yes
<b>MTBF</b>	200,000 hours per Telcordia Issue 2, Method 1, Case 3 at 25 °C ambient at full load.
<b>Operating life</b>	Minimum of 5 years at typical conditions
<b>Reliability</b>	All electronic component derating analysis and capacitor life calculation is done at maximum ambient, 80% of maximum rated load, nominal input line voltage.

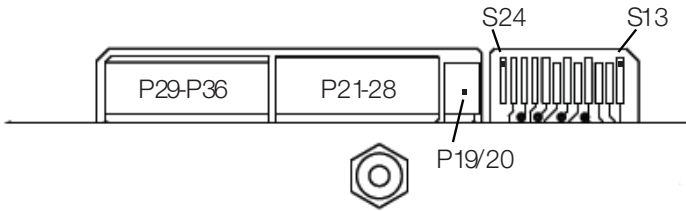
## Mechanical Outline



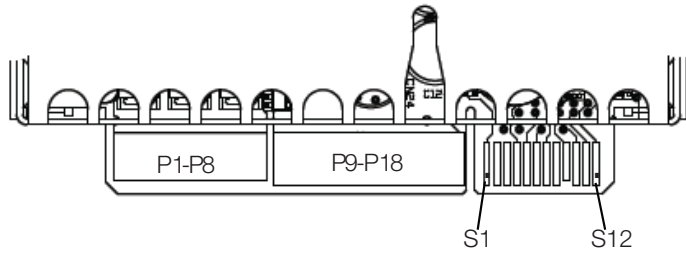
## Connector Definitions

Output Connector Part Number	Card-edge
Mating Connector Part Number	FCI 10107844-002LF or equivalent

Power Supply Output Card Edge (Bottom Side)



Power Supply Output Card Edge (Top Side)



## Output Connector Pin Configuration

S1	PS PRESENT	S13	PS_ON_L
S2	Reserved	S14	PS_KILL_L
S3	Reserved	S15	Reserved
S4	Pwr_Good (PWOK)	S16	RETURN
S5	ACOK (AC Input Present)	S17	SDA
S6	RETURN	S18	RETURN
S7	ISHARE	S19	SCL
S8	RESERVE	S20	RETURN
S9	PS INTERRUPT_L	S21	REMOTE SENSE-
S10	RETURN	S22	RETURN
S11	Reserved	S23	REMOTE SENSE+
S12	Reserved	S24	RESERVE
P1-P8	Vo	P19-P20	VSB
P9-P18	RTN	P21-P28	RTN
		P29-P36	Vo

## WORLDWIDE OFFICES

### Americas

2900 S.Diablo Way  
Tempe, AZ 85282  
USA  
+1 888 412 7832

### Europe (UK)

Waterfront Business Park  
Merry Hill, Dudley  
West Midlands, DY5 1LX  
United Kingdom  
+44 (0) 1384 842 211

### Asia (HK)

14/F, Lu Plaza  
2 Wing Yip Street  
Kwun Tong, Kowloon  
Hong Kong  
+852 2176 3333

**ARTESYN**<sup>™</sup>  
EMBEDDED TECHNOLOGIES

[www.artesyn.com](http://www.artesyn.com)

While every precaution has been taken to ensure accuracy and completeness in this literature, Artesyn Embedded Technologies assumes no responsibility, and disclaims all liability for damages resulting from use of this information or for any errors or omissions. Artesyn Embedded Technologies, Artesyn and the Artesyn Embedded Technologies logo are trademarks and service marks of Artesyn Embedded Technologies, Inc. All other names and logos referred to are trade names, trademarks, or registered trademarks of their respective owners. © 2015 Artesyn Embedded Technologies, Inc.

For more information: [www.artesyn.com/power](http://www.artesyn.com/power)  
For support: [productsupport.ep@artesyn.com](mailto:productsupport.ep@artesyn.com)



Компания «ЭлектроПласт» предлагает заключение долгосрочных отношений при поставках импортных электронных компонентов на взаимовыгодных условиях!

Наши преимущества:

- Оперативные поставки широкого спектра электронных компонентов отечественного и импортного производства напрямую от производителей и с крупнейших мировых складов;
- Поставка более 17-ти миллионов наименований электронных компонентов;
- Поставка сложных, дефицитных, либо снятых с производства позиций;
- Оперативные сроки поставки под заказ (от 5 рабочих дней);
- Экспресс доставка в любую точку России;
- Техническая поддержка проекта, помощь в подборе аналогов, поставка прототипов;
- Система менеджмента качества сертифицирована по Международному стандарту ISO 9001;
- Лицензия ФСБ на осуществление работ с использованием сведений, составляющих государственную тайну;
- Поставка специализированных компонентов (Xilinx, Altera, Analog Devices, Intersil, Interpoint, Microsemi, Aeroflex, Peregrine, Syfer, Eurofarad, Texas Instrument, Miteq, Cobham, E2V, MA-COM, Hittite, Mini-Circuits, General Dynamics и др.);

Помимо этого, одним из направлений компании «ЭлектроПласт» является направление «Источники питания». Мы предлагаем Вам помощь Конструкторского отдела:

- Подбор оптимального решения, техническое обоснование при выборе компонента;
- Подбор аналогов;
- Консультации по применению компонента;
- Поставка образцов и прототипов;
- Техническая поддержка проекта;
- Защита от снятия компонента с производства.



#### Как с нами связаться

**Телефон:** 8 (812) 309 58 32 (многоканальный)

**Факс:** 8 (812) 320-02-42

**Электронная почта:** [org@eplast1.ru](mailto:org@eplast1.ru)

**Адрес:** 198099, г. Санкт-Петербург, ул. Калинина, дом 2, корпус 4, литера А.