

Datasheet

M2SD50NBT

Version 1.11

REVISION HISTORY

Version	Date	Notes	Approver
1.0	27 Mar 2016	Initial Version	Andrew Chen
1.1	09 Aug 2016	Changed document name to Datasheet	Sue White
1.2	07 Sept 2016	Updated EU Declaration of Conformity	Sue White
		Updated Tx power numbers to the following: 802.11a (UNII-1, UNII-2A, UNII-2C) or CH 36 – CH140 6 Mbps 17 dBm (50.1 mW) 54 Mbps 14 dBm (25.1 mW) 802.11a (UNII-3) or CH 148 – CH 165 6 Mbps 15 dBm (31.6 mW) 54 Mbps 14 dBm (25.1 mW) 802.11n (5 GHz) (UNII-1, UNII-2A, UNII-2C) or CH 36 – CH140	
1.3	03 Nov 2016	6.5 Mbps (MCS0; HT20) 17 dBm (50.1 mW) 65 Mbps (MCS7; HT20) 13 dBm (20 mW) (MCS0; HT40) 14 dBm (25.1 mW) (MCS7; HT40) 11 dBm (12.5 mW) 802.11n (5 GHz) (UNII-3) or CH 148 – CH 165 6.5 Mbps (MCS0; HT20) 15 dBm (31.6 mW) 65 Mbps (MCS7; HT20) 12 dBm (15.8 mW) (MCS0; HT40) 14 dBm (25.1 mW) (MCS7; HT40) 11 dBm (12.5 mW)	Andrew Chen
1.4	7 Nov 2016	Updated to add section numbers	Sue White
1.5	09 Dec 2016	Removed <i>Preliminary</i> references	Jay White
1.6	07 Mar 2017	Removed M2US50NBT references	Andrew Chen
1.7	19 Apr 2017	Fixed FCC frequency ranges	Miles Chung
1.8	1 May 2017	OS Support	Jay White
1.9	15 June 2017	Updated EU DoC with new RED standards	Tom Smith
1.10	18 Aug 2017	Removed references to 802.11r	Jay White
1.11	01 May 2018	Updated product photo Updated Industry Canada statement Updated to new Laird template	Maggie Teng

CONTENTS

1	Scope.....	4
2	Introduction	4
2.1	General Description	4
3	M2SD50NBT Features Summary	4
4	Specifications	6
5	WLAN Functional Description	11
5.1	Overview.....	11
6	Bluetooth Functional Description	12
7	Block Diagram	13
8	Electrical Characteristics	14
8.1	Absolute Maximum Ratings.....	14
8.2	Recommended Operating Conditions	14
8.3	DC Electrical Characteristics	14
8.4	WLAN Radio Receiver Characteristics.....	16
8.5	WLAN Transmitter Characteristics.....	17
9	Bluetooth Radio Characteristics.....	18
10	SDIO Timing Requirements	20
11	Pin Definitions.....	21
12	Mechanical Specifications.....	24
13	Mounting.....	25
14	Reference Schematic of M2SD50NBT	26
15	RF Layout Design Guidelines/Precautions	27
16	Regulatory.....	27
16.1	Certified Antennas	27
17	FCC and IC Regulatory	28
17.1	FCC.....	28
17.1.1	Federal Communication Commission Interference Statement	28
17.1.2	End Product Labeling	29
17.1.3	Manual Information to the End User	29
17.2	Industry Canada.....	29
17.2.1	Industry Canada Statement	29
17.2.2	Antenna Information	30
18	European Union Regulatory.....	32
18.1	EU Declarations of Conformity	32
19	Ordering Information	33
19.1	General Comments	33

1 SCOPE

This document describes key hardware aspects of the Laird M2SD50NBT module. This document is intended to assist device manufacturers and related parties with the integration of this radio into their host devices. Data in this document is drawn from a number of sources and includes information found in the Laird SSD50NBT which including Qualcomm Atheros (QCA) QCA6004 and Cambridge Silicon Radio Ltd. (CSR) CSR8811 A08 data sheet issued in July 2011, along with other documents provided from QCA and CSR

Note that the information in this document is subject to change. Please contact Laird to obtain the most recent version of this document.

2 INTRODUCTION

2.1 General Description

Powered by Laird’s 50-series modules, the M2SD50NBT introduces smaller, more versatile form factors. Child modules of the SSD50NBT leverage the best of Laird’s resources into reliable connectivity in any environment. Performance enhancements (2x2 MIMO, Bluetooth Low Energy or BLE, TX/RX diversity, fast roaming, and more) bring performance wireless to handheld devices.



The M2SD50NBT is a PCI Express M.2 (NGFF or Next Generation Form Factor) card (Type 2230) that supports various standard bus interfaces defined by PCI Express. This module adopts the SDIO bus for Wi-Fi connections and high speed UART; a PCM bus is used for Bluetooth functionality.

The M2SD50NBT integrates all WLAN and Bluetooth functionality into a single package which supports low cost and simple implementation along with flexibility for platform-specific customization.

This device is pre-calibrated and integrate the complete transmit/receive RF paths including baluns, mobile phone coexistence band pass filter, diplexer, switches, power amplifier, low noise amplifier, and reference crystal oscillator.

The M2SD50NBT device supports Bluetooth 2.1 + EDR and Bluetooth 4.0 (Bluetooth Low Energy or BLE). The device’s low power consumption radio architecture and proprietary power save technologies allow for extended battery life.

In addition, their dual 802.11 and Bluetooth radio includes full digital MAC and baseband engines that handle all 802.11 CCK/OFDM® 2.4/5GHz, and Bluetooth basic rate and EDR baseband and protocol processing.

Dual embedded low-power CPU cores minimize host loading and maximize flexibility to support customer-specific use cases.

3 M2SD50NBT FEATURES SUMMARY

The Laird M2SD50NBT device features are described in [Table 1](#).

Table 1: M2SD50NBT features

Feature	Description
Radio Front End	Integrates the complete transmit/receive RF paths including baluns, coexistence band pass filter, diplexer, switches, power amplifier, low noise amplifier, and reference crystal oscillator.
Enhanced WLAN/BT Coexistence Algorithms	Enhanced important use cases including: <ul style="list-style-type: none"> ▪ PCM/I2S digital audio interface ▪ BT stereo audio (A2DP) ▪ BT data transfer profiles (such as OPP and FTP) ▪ BT2.1+EDR

Feature	Description
	<ul style="list-style-type: none"> BT-LE <p>Flexible radio architecture ensures simple customization for future use cases.</p>
Power Management	<p>Uses power-saving techniques including:</p> <ul style="list-style-type: none"> Gating clocks to idle or inactive blocks Fast start and settling circuits to reduce Tx power Active duty cycles CPU frequency scaling
Pre-Calibration	RF system tested and calibrated in production.
Internal Sleep Clock	Integrated on-chip low power sleep clock to regulate internal timing.
Multiple Interface Support	<ul style="list-style-type: none"> M2SD50NBT – SDIO 2.0 (50 MHz, 4-bit and 1-bit) for WLAN HS-UART and PCM for Bluetooth HCI (compatible with any upper layer Bluetooth stack)
Advanced 802.11n	<ul style="list-style-type: none"> Half Guard Interval and Frame Aggregation for high throughput Space Time Block Coding (STBC) Rx for improved downlink robustness over range Low Density Parity Check (LDPC) for improved uplink and downlink robustness over range
Reference Frequency	<ul style="list-style-type: none"> Incorporates a 26 MHz reference frequency source in package Sleep regulated and gated to enable the internal crystal to be powered down when the device is in sleep mode BT shares the clock from the Wi-Fi chip. Wi-Fi cannot be turned off or put in reset state when running BT. 32.768 KHz slow clock is needed for BT to get into deep sleep mode.
Advanced WLAN	<p>Includes the following advanced WLAN features:</p> <ul style="list-style-type: none"> IEEE 802.11e QoS, Wi-Fi Alliance WMM Power Save, and 802.11n power saving compliance AES, AES-CCMP, TKIP engines for faster data encryption Cisco CCXv4 ASD, WPS support Standard WEP/WPA/WPA2 for personal and enterprise environments support WWR, 802.11d, 802.11h support Wi-Fi Direct (Peer-to-Peer) RTT for indoor positioning Statistics and events for monitoring Self-managed power state handling Self-contained beacon processing Shared authentication Ad-hoc power save Multiple PMK ID support Simulated UAPSD T-Spec support Production flow diagnostics 3-wire scheme for Wi-Fi and BT coexistence.
Advanced Bluetooth	<ul style="list-style-type: none"> High-speed UART port (up to 4 Mbps) HFP v1.6 wide-band speech supported on-chip On-chip encoding of SBC and aptX® codecs for A2DP music streaming PCM/I2S digital audio interface Support for IEEE 802.11 coexistence The flexible RAM/ROM based architecture enables custom or future profiles to be easily added

4 SPECIFICATIONS

Table 2: Specifications

Feature	Description		
	PCI Express NGFF card type 2230-S3-E (2230 = 22mm x 30 mm, S3 = single side, E = key ID)		
Physical Interface	<p>Note: The M2SD50NBT is type 2230-S3-E, but the top side component height is 2.5 mm max. The standard top side height for S3 is 1.5 mm max.</p> <p>Mating connector – (Kyocera) part number: 24-6411-067-101-897E</p> <p>Stand-off – (EMI STOP) part number: F50M16-041525P1D4M</p>		
Wi-Fi Interface	1-bit or 4-bit Secure Digital I/O		
Bluetooth Interface	Host Controller Interface (HCI) using High Speed UART		
Main Chip	<p>Wi-Fi – Qualcomm Atheros QCA6004</p> <p>BT – Cambridge Silicon Radio Ltd. (CSR) CSR8811 A08</p>		
Input Voltage Requirements	3.3 VDC (3.20V min to 3.46V max)		
I/O Signalling Voltage	3.3 VDC ± 5% or 1.8 VDC ± 5%		
<p>Average Current Consumption, VDDIO = 3.3 volts (At maximum transmit power setting)</p> <p>Note: Reset refers to the radio are in reset, both Wifi and BT reset are asserted.</p> <p>Note: MIMO measurements are generally higher than Single Stream.</p>	<table border="0"> <tr> <td> <p>Single Stream</p> <p>802.11a (with BT in standby) @ 18 dBm 6 Mbps Transmit: 600 mA Receive: 260 mA Reset: 0.13mA</p> <p>802.11b (with BT in standby) @ 18 dBm 1 Mbps Transmit: 460 mA Receive: 250 mA Reset: 0.13mA</p> <p>802.11g (with BT in standby) @ 18 dBm 6 Mbps Transmit: 450 mA Receive: 250 mA Reset: 0.13mA</p> <p>802.11n (2.4 GHz) (with BT in standby) @ 14 dBm MCS7 Transmit: 340 mA Receive: 250 mA Reset: 0.13mA</p> <p>802.11n (5 GHz) (with BT in standby) @ 14 dBm MCS7 Transmit: 490 mA Receive: 260 mA Reset: 0.13mA</p> <p>Bluetooth (with Wi-Fi in standby) Transmit: 85 mA Receive: 70 mA Reset: 0.13mA</p> </td> <td> <p>MIMO</p> <p>802.11a (with BT in standby) @ 18 dBm 6 Mbps Transmit: 900 mA Receive: 140 mA Reset: 0.13mA</p> <p>802.11b (with BT in standby) @ 18 dBm 1 Mbps Transmit: 680 mA Receive: 140 mA Reset: 0.13mA</p> <p>802.11g (with BT in standby) @ 18 dBm 6 Mbps Transmit: 710 mA Receive: 140 mA Reset: 0.13mA</p> <p>802.11n (2.4 GHz) (with BT in standby) @ 14 dBm MCS7 Transmit: 710 mA Receive: 140 mA Reset: 0.13mA</p> <p>802.11n (5 GHz) (with BT in standby) @ 14 dBm MCS7 Transmit: 720 mA Receive: 140 mA Reset: 0.13mA</p> <p>Bluetooth (with Wi-Fi in standby) Transmit: 720 mA Receive: 140 mA Reset: 0.13mA</p> </td> </tr> </table>	<p>Single Stream</p> <p>802.11a (with BT in standby) @ 18 dBm 6 Mbps Transmit: 600 mA Receive: 260 mA Reset: 0.13mA</p> <p>802.11b (with BT in standby) @ 18 dBm 1 Mbps Transmit: 460 mA Receive: 250 mA Reset: 0.13mA</p> <p>802.11g (with BT in standby) @ 18 dBm 6 Mbps Transmit: 450 mA Receive: 250 mA Reset: 0.13mA</p> <p>802.11n (2.4 GHz) (with BT in standby) @ 14 dBm MCS7 Transmit: 340 mA Receive: 250 mA Reset: 0.13mA</p> <p>802.11n (5 GHz) (with BT in standby) @ 14 dBm MCS7 Transmit: 490 mA Receive: 260 mA Reset: 0.13mA</p> <p>Bluetooth (with Wi-Fi in standby) Transmit: 85 mA Receive: 70 mA Reset: 0.13mA</p>	<p>MIMO</p> <p>802.11a (with BT in standby) @ 18 dBm 6 Mbps Transmit: 900 mA Receive: 140 mA Reset: 0.13mA</p> <p>802.11b (with BT in standby) @ 18 dBm 1 Mbps Transmit: 680 mA Receive: 140 mA Reset: 0.13mA</p> <p>802.11g (with BT in standby) @ 18 dBm 6 Mbps Transmit: 710 mA Receive: 140 mA Reset: 0.13mA</p> <p>802.11n (2.4 GHz) (with BT in standby) @ 14 dBm MCS7 Transmit: 710 mA Receive: 140 mA Reset: 0.13mA</p> <p>802.11n (5 GHz) (with BT in standby) @ 14 dBm MCS7 Transmit: 720 mA Receive: 140 mA Reset: 0.13mA</p> <p>Bluetooth (with Wi-Fi in standby) Transmit: 720 mA Receive: 140 mA Reset: 0.13mA</p>
<p>Single Stream</p> <p>802.11a (with BT in standby) @ 18 dBm 6 Mbps Transmit: 600 mA Receive: 260 mA Reset: 0.13mA</p> <p>802.11b (with BT in standby) @ 18 dBm 1 Mbps Transmit: 460 mA Receive: 250 mA Reset: 0.13mA</p> <p>802.11g (with BT in standby) @ 18 dBm 6 Mbps Transmit: 450 mA Receive: 250 mA Reset: 0.13mA</p> <p>802.11n (2.4 GHz) (with BT in standby) @ 14 dBm MCS7 Transmit: 340 mA Receive: 250 mA Reset: 0.13mA</p> <p>802.11n (5 GHz) (with BT in standby) @ 14 dBm MCS7 Transmit: 490 mA Receive: 260 mA Reset: 0.13mA</p> <p>Bluetooth (with Wi-Fi in standby) Transmit: 85 mA Receive: 70 mA Reset: 0.13mA</p>	<p>MIMO</p> <p>802.11a (with BT in standby) @ 18 dBm 6 Mbps Transmit: 900 mA Receive: 140 mA Reset: 0.13mA</p> <p>802.11b (with BT in standby) @ 18 dBm 1 Mbps Transmit: 680 mA Receive: 140 mA Reset: 0.13mA</p> <p>802.11g (with BT in standby) @ 18 dBm 6 Mbps Transmit: 710 mA Receive: 140 mA Reset: 0.13mA</p> <p>802.11n (2.4 GHz) (with BT in standby) @ 14 dBm MCS7 Transmit: 710 mA Receive: 140 mA Reset: 0.13mA</p> <p>802.11n (5 GHz) (with BT in standby) @ 14 dBm MCS7 Transmit: 720 mA Receive: 140 mA Reset: 0.13mA</p> <p>Bluetooth (with Wi-Fi in standby) Transmit: 720 mA Receive: 140 mA Reset: 0.13mA</p>		
Operating Temperature	-30° to 85°C (-22° to 185°F)		




Feature	Description
Operating Humidity	10 to 90% (non-condensing)
Storage Temperature	-40° to 85°C (-40° to 185°F)
Storage Humidity	10 to 90% (non-condensing)
Maximum Electrostatic Discharge	Conductive 4KV; Air coupled 8KV EN61000-4-2
Size	22 mm X 30 mm X 3.3 mm (.87" x 1.18" x .13")
Weight	< 3.0 grams (< 0.105822 ounces)
Mounting	See the mounting and handling guide
Wi-Fi Media	Direct Sequence-Spread Spectrum (DSSS) Complementary Code Keying (CCK) Orthogonal Frequency Divisional Multiplexing (OFDM)
Bluetooth Media	Frequency Hopping Spread Spectrum (FHSS)
Wi-Fi Media Access Protocol	Carrier sense multiple access with collision avoidance (CSMA/CA)
Network Architecture Types	Infrastructure and ad-hoc
Wi-Fi Standards	IEEE 802.11a, 802.11b, 802.11d, 802.11e, 802.11g, 802.11h, 802.11i, 802.11n
Bluetooth Standards	Bluetooth version 2.1 with Enhanced Data Rate Bluetooth 4.0 (Bluetooth Low Energy or BLE)
Wi-Fi Data Rates Supported	11a (OFDM) 6, 9, 12, 18, 24, 36, 48, 54 Mbps 802.11b (DSSS, CCK) 1, 2, 5.5, 11 Mbps 802.11g (OFDM) 6, 9, 12, 18, 24, 36, 48, 54 Mbps 802.11n (OFDM, MCS 0-15) Full Guard Interval: 6.5,13.0, 19.5, 26.0,39.0,52.0,58.5,65.0, 13.0,26.0,39.0, 52.0, 78.0,104.0,117.0 Mbps Short Guard Interval: 1.2,14.4,21.7,29.9,43.3,57.8,65.0,72.2, 14.4,28.9,43.3,57.8, 86.7,115.6,130.0,144.4 Mbps
Modulation	BPSK @ 1, 6,9, 6.5, 7.2,13 and 14.4 Mbps QPSK @ 2, 12, 18, 13, 14.4,19.5, 21.7, 26, 28.9, 39,43.3 Mbps CCK @ 5.5 and 11 Mbps 16-QAM @ 24, 36,26, 29.9,39,43.3,52,57.8,78,86.7 Mbps 64-QAM @ 48,54,52, 57.8, 58.5, 65,72.2,104.0,115.6,117.0,130.0,144.4 Mbps
802.11n Spatial Streams	2 (2x2 MIMO)
Bluetooth Data Rates Supported	1, 2, 3 Mbps
Bluetooth Modulation	GFSK@ 1 Mbps Pi/4-DQPSK@ 2 Mbps 8-DPSK@ 3 Mbps
Regulatory Domain Support	FCC (Americas, Parts of Asia, and Middle East) ETSI (Europe, Middle East, Africa, and Parts of Asia) IC (Industry Canada) MIC (Japan) (formerly TELEC) – Option KC (Korea) (formerly KCC) – Option

Feature	Description
2.4 GHz Frequency Bands	ETSI: 2.4 GHz to 2.483 GHz FCC: 2.4 GHz to 2.473 GHz MIC: 2.4 GHz to 2.495 GHz KC: 2.4 GHz to 2.483 GHz
2.4 GHz Operating Channels (Wi-Fi)	ETSI: 13 (3 non-overlapping) FCC: 11 (3 non-overlapping) MIC: 14 (4 non-overlapping) KC: 13 (3 non-overlapping)
5 GHz Frequency Bands	ETSI 5.15 GHz to 5.35 GHz (Ch 36/40/44/48/52/56/60/64) 5.47 GHz to 5.725 GHz (Ch 100/104/108/112/116/120/124/128/132/136/140) FCC 5.15 GHz to 5.35 GHz (Ch 36/40/44/48/52/56/60/64) 5.47 GHz to 5.725 GHz (Ch 100/104/108/112/116/120/124/128/132/136/140) 5.725 GHz to 5.825 GHz (Ch 149/153/157/161/165) MIC (Japan) 5.15 GHz to 5.35 GHz (Ch 36/40/44/48/52/56/60/64) 5.47 GHz to 5.725 GHz (Ch 100/104/108/112/116/120/124/128/132/136/140) KC 5.15 GHz to 5.35 GHz (Ch 36/40/44/48/52/56/60/64) 5.47 GHz to 5.725 GHz (Ch 100/104/108/112/116/120/124) 5.725 GHz to 5.825 GHz (Ch 149/153/157/161)
5 GHz Operating Channels (Wi-Fi)	ETSI: 19 non-overlapping FCC: 24 non-overlapping MIC: (Japan): 19 non-overlapping KC: 19 non-overlapping
Transmit Power	802.11a (UNII-1, UNII-2A, UNII-2C) or CH 36 – CH140 6 Mbps 17 dBm (50.1 mW) 54 Mbps 14 dBm (25.1 mW) 802.11a (UNII-3) or CH 148 – CH 165 6 Mbps 15 dBm (31.6 mW) 54 Mbps 14 dBm (25.1 mW) 802.11b 1 Mbps 17 dBm 11 Mbps 17 dBm 802.11g 6 Mbps 17 dBm 54 Mbps 14 dBm 802.11n (2.4 GHz) 6.5 Mbps (MCS0) 17 dBm 65 Mbps (MCS7) 13 dBm

Note: Transmit power on each channels varies according to individual country regulations. All values for lowest data rate is nominal, +/-2 dBm. Others are +/-2.5dBm.

Note:
HT40 – 40 Mhz-wide channels
HT20 – 20 MHz-wide channels

Feature	Description																													
	<p>802.11n (5 GHz) (UNII-1, UNII-2A, UNII-2C) or CH 36 – CH140</p> <table> <tr> <td>6.5 Mbps (MCS0; HT20)</td> <td>17 dBm (50.1 mW)</td> </tr> <tr> <td>65 Mbps (MCS7; HT20)</td> <td>13 dBm (20 mW)</td> </tr> <tr> <td>(MCS0; HT40)</td> <td>14 dBm (25.1 mW)</td> </tr> <tr> <td>(MCS7; HT40)</td> <td>11 dBm (12.5 mW)</td> </tr> </table> <p>802.11n (5 GHz) (UNII-3) or CH 148 – CH 165</p> <table> <tr> <td>6.5 Mbps (MCS0; HT20)</td> <td>15 dBm (31.6 mW)</td> </tr> <tr> <td>65 Mbps (MCS7; HT20)</td> <td>12 dBm (15.8 mW)</td> </tr> <tr> <td>(MCS0; HT40)</td> <td>14 dBm (25.1 mW)</td> </tr> <tr> <td>(MCS7; HT40)</td> <td>11 dBm (12.5 mW)</td> </tr> </table> <p>Bluetooth</p> <table> <tr> <td>1 Mbps</td> <td>6 dBm</td> </tr> <tr> <td>2 Mbps</td> <td>6 dBm</td> </tr> <tr> <td>3 Mbps</td> <td>3 dBm</td> </tr> </table>	6.5 Mbps (MCS0; HT20)	17 dBm (50.1 mW)	65 Mbps (MCS7; HT20)	13 dBm (20 mW)	(MCS0; HT40)	14 dBm (25.1 mW)	(MCS7; HT40)	11 dBm (12.5 mW)	6.5 Mbps (MCS0; HT20)	15 dBm (31.6 mW)	65 Mbps (MCS7; HT20)	12 dBm (15.8 mW)	(MCS0; HT40)	14 dBm (25.1 mW)	(MCS7; HT40)	11 dBm (12.5 mW)	1 Mbps	6 dBm	2 Mbps	6 dBm	3 Mbps	3 dBm							
6.5 Mbps (MCS0; HT20)	17 dBm (50.1 mW)																													
65 Mbps (MCS7; HT20)	13 dBm (20 mW)																													
(MCS0; HT40)	14 dBm (25.1 mW)																													
(MCS7; HT40)	11 dBm (12.5 mW)																													
6.5 Mbps (MCS0; HT20)	15 dBm (31.6 mW)																													
65 Mbps (MCS7; HT20)	12 dBm (15.8 mW)																													
(MCS0; HT40)	14 dBm (25.1 mW)																													
(MCS7; HT40)	11 dBm (12.5 mW)																													
1 Mbps	6 dBm																													
2 Mbps	6 dBm																													
3 Mbps	3 dBm																													
Typical Receiver Sensitivity	<p>802.11a:</p> <table> <tr> <td>6 Mbps</td> <td>-92 dBm</td> </tr> <tr> <td>54 Mbps</td> <td>-74 dBm (PER <= 10%)</td> </tr> </table> <p>802.11b:</p> <table> <tr> <td>1 Mbps</td> <td>-94 dBm</td> </tr> <tr> <td>11 Mbps</td> <td>-87 dBm (PER <= 10%)</td> </tr> </table> <p>802.11g:</p> <table> <tr> <td>6 Mbps</td> <td>-91 dBm</td> </tr> <tr> <td>54 Mbps</td> <td>-74 dBm (PER <= 10%)</td> </tr> </table> <p>802.11n (2.4 GHz)</p> <table> <tr> <td>MCS0 Mbps</td> <td>-91 dBm</td> </tr> <tr> <td>MCS7 Mbps</td> <td>-71 dBm</td> </tr> </table> <p>802.11n (5 GHz)</p> <table> <tr> <td>MCS0 Mbps</td> <td>-92 dBm</td> </tr> <tr> <td>MCS7 Mbps</td> <td>-71 dBm</td> </tr> </table> <p>Bluetooth:</p> <table> <tr> <td>1 Mbps</td> <td>-83 dBm</td> <td>(1DH1)</td> </tr> <tr> <td>3 Mbps</td> <td>-75 dBm</td> <td>(3DH5)</td> </tr> <tr> <td>BLE</td> <td>-86 dBm</td> <td></td> </tr> </table>	6 Mbps	-92 dBm	54 Mbps	-74 dBm (PER <= 10%)	1 Mbps	-94 dBm	11 Mbps	-87 dBm (PER <= 10%)	6 Mbps	-91 dBm	54 Mbps	-74 dBm (PER <= 10%)	MCS0 Mbps	-91 dBm	MCS7 Mbps	-71 dBm	MCS0 Mbps	-92 dBm	MCS7 Mbps	-71 dBm	1 Mbps	-83 dBm	(1DH1)	3 Mbps	-75 dBm	(3DH5)	BLE	-86 dBm	
6 Mbps	-92 dBm																													
54 Mbps	-74 dBm (PER <= 10%)																													
1 Mbps	-94 dBm																													
11 Mbps	-87 dBm (PER <= 10%)																													
6 Mbps	-91 dBm																													
54 Mbps	-74 dBm (PER <= 10%)																													
MCS0 Mbps	-91 dBm																													
MCS7 Mbps	-71 dBm																													
MCS0 Mbps	-92 dBm																													
MCS7 Mbps	-71 dBm																													
1 Mbps	-83 dBm	(1DH1)																												
3 Mbps	-75 dBm	(3DH5)																												
BLE	-86 dBm																													
Operating Systems Supported	<p>Linux 2.6.x, 3.x.x, 4.0.x kernel Android 4.1.2 (Jellybean) and forward</p>																													

Feature	Description								
Security	<p>Standards</p> <p>Wireless Equivalent Privacy (WEP) Wi-Fi Protected Access (WPA) IEEE 802.11i (WPA2)</p> <p>Encryption</p> <p>Wireless Equivalent Privacy (WEP, RC4 Algorithm) Temporal Key Integrity Protocol (TKIP, RC4 Algorithm) Advanced Encryption Standard (AES, Rijndael Algorithm) Encryption Key Provisioning Static (40-bit and 128-bit lengths) Pre-Shared (PSK)</p> <p>Dynamic</p> <p>802.1X Extensible Authentication Protocol Types</p> <table border="1" style="width: 100%; background-color: #0070C0; color: white;"> <tr> <td>EAP-FAST</td> <td>PEAP-MSCHAPv2</td> </tr> <tr> <td>EAP-TLS</td> <td>PEAP-TLS</td> </tr> <tr> <td>EAP-TTLS</td> <td>LEAP</td> </tr> <tr> <td>PEAP-GTC</td> <td></td> </tr> </table>	EAP-FAST	PEAP-MSCHAPv2	EAP-TLS	PEAP-TLS	EAP-TTLS	LEAP	PEAP-GTC	
EAP-FAST	PEAP-MSCHAPv2								
EAP-TLS	PEAP-TLS								
EAP-TTLS	LEAP								
PEAP-GTC									
Compliance	<p>ETSI Regulatory Domain</p> <p>EN 300 328 (Wi-Fi®) EN 300 328 v1.8.1 (BT 2.1) EN 301 489-1 EN 301 489-17 EN 301 893 EN 60950-1 EU 2002/95/EC (RoHS)</p> <p>FCC Regulatory Domain</p> <p>FCC 15.247 DTS – 802.11b/g (Wi-Fi) – 2.4 GHz FCC 15.407 UNII – 802.11a (Wi-Fi) – 5 GHz FCC 15.247 DSS – BT 2.1</p> <p>Industry Canada</p> <p>RSS-247 – 802.11a/b/g/n (Wi-Fi) – 2.4 GHz, 5.8 GHz, 5.2 GHz, and 5.4 GHz RSS-247 – BT 2.1</p>								
Certifications	<p>Wi-Fi Alliance</p> <p>802.11a, 802.11b, 802.11g , 802.11n WPA Enterprise WPA2 Enterprise</p> <p>Cisco Compatible Extensions (Version 4)</p> <p>Bluetooth SIG Qualification</p> <div style="text-align: right;">    </div>								
Warranty	Three Year Warranty								
<i>All specifications are subject to change without notice</i>									

5 WLAN FUNCTIONAL DESCRIPTION

5.1 Overview

The M2SD50NBT WLAN block is based on the Laird SSD50NBT SIP (System in Package). It is optimized for low-power embedded applications and is configured to operate in dual-band, two-stream (2x2 MIMO) mode. Its functionality includes:

- Improved throughput on the link due to frame aggregation, RIFS (reduced inter-frame spacing), and half-guard intervals.
- Support for STBC (space-time block coding) and LDPC (Low Density Parity Check) codes.
- Improved 11n performance due to features such as 11n frame aggregation (A-MPDU and A-MSDU) and low-overhead host-assisted buffering (RX A-MSDU and RX A-MPDU). These techniques can improve performance and efficiency of applications involving large bulk data transfers such as file transfers or high-resolution video streaming.

Other functionality includes the following:

Feature	Description
System Clocking (RTC Block)	<p>An RTC block controls the clocks and power going to other internal modules. Its inputs contain sleep requests from these modules and its outputs contain clock enable and power signals which are used to gate the clocks going to these modules. The RTC block also manages resets going to other modules with the device. The M2SD50NBT's clocking is grouped into two types: high-speed and low-speed.</p> <p><i>5.1.1.1 High Speed Clocking</i></p> <p>The reference 26 MHz clock source drives the PLL and RF synthesizer of Wi-Fi and Bluetooth. To minimize power consumption, the reference clock source is powered off in SLEEP, HOST_OFF, and OFF states.</p> <p><i>5.1.1.2 Low Speed Clocking</i></p> <p>This module requires an external sleep clock (32.768 KHz) source from host platform through pin-50 on the NFGG golden finger. It is used to place BT into deep sleep mode. For Wi-Fi only application, it is not needed.</p> <p><i>5.1.1.3 Interface Clock</i></p> <p>The host interface clock represents another clock domain for the M2SD50NBT. This clock comes from the SDIO and is independent from the other internal clocks. It drives the host interface logic as well as certain registers which can be accessed by the host in HOST_OFF and SLEEP states.</p>
MAC/BB/RF Block	<p>The M2SD50NBT Wireless MAC consists of five major blocks:</p> <ul style="list-style-type: none"> ▪ Host interface unit (HIU) for bridging to the AHB for bulk data accesses and APB for register accesses ▪ Ten queue control units (QCU) for transferring TX data ▪ Ten DCF control units (DCU) for managing channel access ▪ Protocol control unit (PCU) for interfacing to baseband ▪ DMA receive unit (DRU) for transferring RX data
Baseband Block	<p>The M2SD50NBT baseband block (BB) is the physical layer controller for the 802.11b/g/n air interface.</p> <ul style="list-style-type: none"> ▪ It modulates data packets in the transmit direction ▪ Detects and demodulates data packets in the receive direction. ▪ It has a direct control interface to the radio to enable hardware to adjust analog gains and modes dynamically.

Feature	Description
Clock Sharing	<ul style="list-style-type: none"> ▪ Clock sharing is implemented on the M2SD50NBT. The Bluetooth chip (CSR8811) receives a reference clock from the Wi-Fi chip (QCA6004). When Wi-Fi is in power off/reset state, Bluetooth is also off. ▪ External 32.768 KHz signal present on pin 50 allows the BT chip to go into deep sleep mode and consume lowest amount of power

6 BLUETOOTH FUNCTIONAL DESCRIPTION

The M2SD50NBT Bluetooth (BT) block is based on the CSR8811A08 and described in the [Table 3](#).

Table 3: Bluetooth functions

Feature	Description
HCI-UART Interface	The UART Interface is a standard high-speed UART interface. It operates up to 4 Mbps, supporting Bluetooth HCI UART interface.
PCM or I2S Interface	<ul style="list-style-type: none"> ▪ Continuous PCM encoded audio data transmission and reception over Bluetooth ▪ Processor overhead reduction through hardware support for continual transmission and reception of PCM data ▪ A bi-directional digital audio interface that routes directly into the baseband layer of the firmware. It does not pass through the HCI protocol layer ▪ Hardware on CSR8811 for sending data to and from a SCO connection ▪ Up to three SCO connections on the PCM interface at any one time ▪ PCM interface master, generating PCM_SYNC and PCM_CLK ▪ PCM interface slave, accepting externally generated PCM_SYNC and PCM_CLK. ▪ Various clock formats including: <ul style="list-style-type: none"> – *Long Frame Sync – *Short Frame Sync ▪ GCI timing environments ▪ 13-bit or 16-bit linear, 8-bit μ-law or A-law companded sample formats ▪ Receives and transmits on any selection of three of the first four slots following PCM_SYNC ▪ The PCM configuration options are enabled by setting SKEY_PCM_CONFIG32
CPU and Memory	<ul style="list-style-type: none"> ▪ Uses a 16-bit RISC MCU for low power consumption and efficient use of memory. The MCU, interrupt controller, and event timer run the Bluetooth software stack and control the Bluetooth radio and host interfaces. ▪ 56 KB of on-chip RAM is provided to support the RISC MCU and is shared between the ring buffers used to hold voice/data for each active connection and the general-purpose memory required by the Bluetooth stack. ▪ 5 Mb of Internal ROM memory is available on the CSR8811. This memory is provided for system firmware, storing CSR8811 settings and program code.
Build-in Standard WLAN Coexistence	The M2SD50NBT internally supports the standard WLAN coexistence interface through the WLAN_ACTIVE, BT_PRIORITY, and BT_ACTIVE pins.
Reference Clock	<p>The BT block is configured for 26 MHz reference clock frequency. The clock source is provided to BT internally from the WLAN block on demand from BT_CLK_REQ.</p> <p>Note: <i>The WLAN block must be initialized prior before BT clock sharing is enabled.</i></p>
BT Low Energy	Supports Low Energy specification which allows for connections to devices with single mode LE function (such as a watch, sensor, and HID). The implementation is optimized for coexistence with WLAN.

Feature	Description
BT_RFKILL	The NGFF pin-54 is connected to (BT_PWD_L) resets and powers down the BT block. Holding the pin-54 at Low state turns off the entire BT block; all state information is lost. To ensure a full reset, the reset signal should be asserted for a period greater than five milliseconds.
Radio	The BT radio shares the single antenna port with the WLAN through an internal three-way RF switch. The M2SD50NBT implements WLAN/BT coexistence internally. VDDIO is to set the I/O voltage internally with either 1.8 V or 3.3 V to ensure same voltage level for the internal Wi-Fi and BT coexistence signal. Refer to the reference design specifications for details.

7 BLOCK DIAGRAM

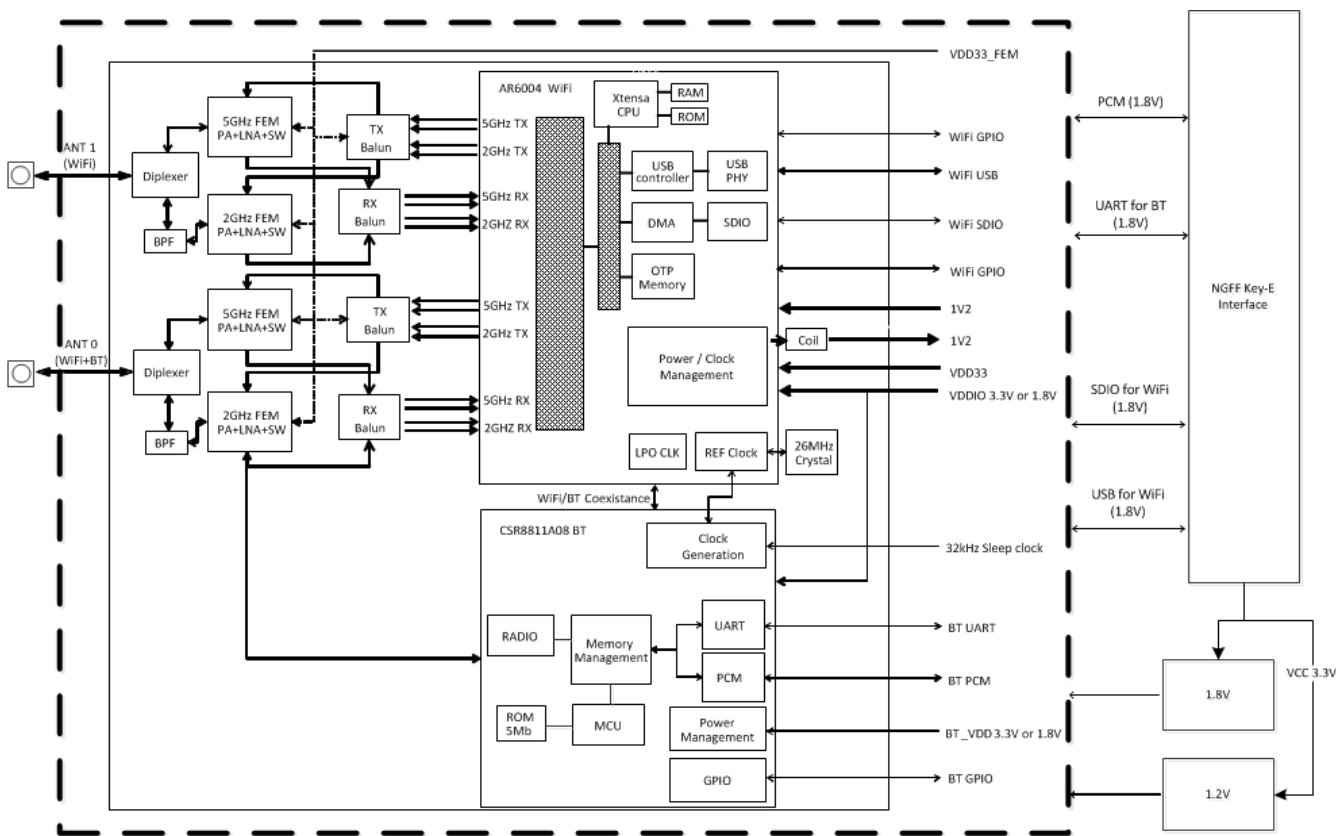


Figure 1: Block Diagram

Note: BT signal only present at ANT0. Only 5 GHz support HT40 mode.

8 ELECTRICAL CHARACTERISTICS

8.1 Absolute Maximum Ratings

Table 4 summarizes the absolute maximum ratings and Table 5 lists the recommended operating conditions for the M2SD50NBT. Absolute maximum ratings are those values beyond which damage to the device can occur. Functional operation under these conditions, or at any other condition beyond those indicated in the operational sections of this document, is not recommended.

Note: Maximum rating for signals follows the supply domain of the signals.

Table 4: Absolute Maximum Ratings

Symbol (Domain)	Parameter	Max Rating	Unit
VDDIO	WLAN host SDIO interface and BT I/O supply	-0.3 to 3.6	V
VCC3_3	External 3.3V power supply	-0.3 to 3.6	V
Storage	Storage Temperature	-40 to +85	°C
ANT1; ANT2	Maximum RF input (reference to 50-Ω input)	+10	dBm
ESD	Electrostatic discharge tolerance	2000	V

8.2 Recommended Operating Conditions

Table 5: Recommended Operating Conditions

Symbol (Domain)	Parameter	Min	Typ	Max	Unit
VDDIO	WLAN host interface and BT I/O supply	1.71/3.2	1.8/3.3	1.89/3.46	V
VCC3_3	External 3.3V power supply	3.2	3.30	3.46	V
T-ambient	Ambient temperature	-30	25	85	°C

8.3 DC Electrical Characteristics

Table 6 and Table 7 list the general DC electrical characteristics over recommended operating conditions (unless otherwise specified).

Table 6: General DC Electrical Characteristics (For 3.3V I/O Operation)

Symbol	Parameter	Conditions	Min	Typ	Max	Unit
V _{IH}	High Level Input Voltage		0.7 x VDD			V
V _{IL}	Low Level Input Voltage				0.3 x VDD	V
I _{IL}	Input Leakage Current	Without Pull-up or Pull-down	0V < V _{IN} < VDD 0V < V _{OUT} < VDD	0	-3	nA
		With Pull-up	0 V < V _{IN} < VDD 0V < V _{OUT} < VDD	16	48	μA
		With Pull-down	0V < V _{IN} < VDD 0V < V _{OUT} < VDD	-14	-47	μA
V _{OH}	High Level Output Voltage	I _{OH} = -4mA	0.9 x VDD			V
		I _{OH} = -12mA	0.9 x VDD			V
V _{OL}	Low Level Output Voltage	I _{OH} = 4mA			0.1 x VDD	V
		I _{OH} = 12mA			0.1 x VDD	V

Table 7: General DC Electrical Characteristics (For 1.8V I/O Operation)

Symbol	Parameter	Conditions	Min	Typ	Max	Unit
V _{IH}	High Level Input Voltage		0.7 x VDD			V
V _{IL}	Low Level Input Voltage				0.3 x VDD	V
I _{IL}	Input Leakage Current	Without Pull-up or Pull-down	0V < V _{IN} < VDD 0V < V _{OUT} < VDD	0	-3	nA
		With Pull-up	0V < V _{IN} < VDD 0V < V _{OUT} < VDD	3.5	13	μA
		With Pull-down	0V < V _{IN} < VDD 0V < V _{OUT} < VDD	-6.2	-23	μA
V _{OH}	High Level Output Voltage	I _{OH} = -4mA		0.9 x VDD		V
		I _{OH} = -12mA		0.9 x VDD		V
V _{OL}	Low Level Output Voltage	I _{OH} = 4mA			0.1 x VDD	V
		I _{OH} = 12mA			0.1 x VDD	V

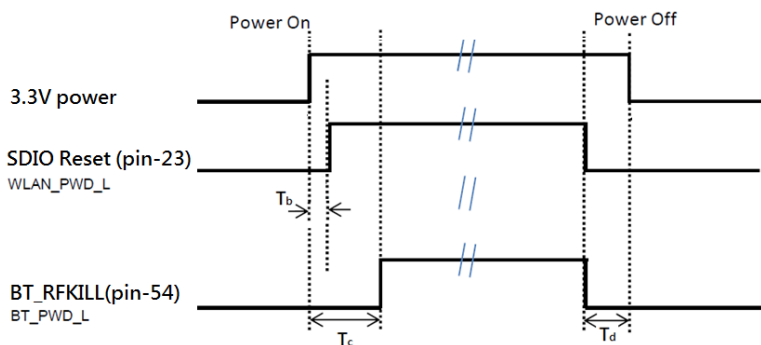


Figure 2: Power On/Off Timing

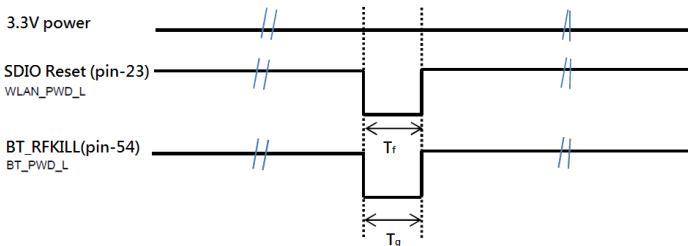


Figure 3: Reset Timing

Table 8: Timing Diagram Definitions

Timing	Description	Min	Unit
T _b	Time between VDD33 (3.3V)supplies valid, to SDIO reset (pin-56;WLAN_PWD_L) negation.	5	μsec
Note: have suitable 10K ohm Pull-up on SDIO bus, already. No extra pull-up resistor is required.			

Timing	Description	Min	Unit
Tc	Time between VDD33 (3.3V) supplies valid and BT_RFKILL (pin-54; BT_PWD_L) negation	5	msec
Td	Time between SDIO reset (pin-56;WLAN_PWD_L) negation and VDD33 (3.3V) invalid, or time between BT_RFKILL (pin-54; BT_PWD_L) negation and VDD33(3.3V) invalid.	0	µsec
Tf	Time of SDIO reset (pin-56;WLAN_PWD_L) assertion during reset or power down period. 3.3V should keep ON.	5	µsec
Tg	Time of BT_RFKILL (pin-54; BT_PWD_L)assertion during reset or power down period. 3.3V should keep ON.	5	msec

Important: There is 10K ohm pull high resistor already implemented on SD_D0, SD_D1, and SD_D3. No external pull-up is required for those three lines.

8.4 WLAN Radio Receiver Characteristics

Table 9 and Table 10 summarize the WLAN M2SD50NBT receiver characteristics.

Table 9: WLAN Receiver Characteristics for 2.4 GHz Signal Chain Operation

Symbol	Parameter	Conditions	Min	Typ	Max	Unit
Fr _x	Receive input frequency range		2.412		2.484	GHz
Srf	Sensitivity					
	CCK, 1 Mbps	See Note ³		-94		dBm
	CCK, 11 Mbps			-87		
	OFDM, 6 Mbps			-91		
	OFDM, 54 Mbps			-74		
	HT20, MCS0			-91		
HT20, MCS7			-71			
Rad _j	Adjacent channel rejection					
	OFDM, 6 Mbps	See Note ⁴		32		dB
	OFDM, 54 Mbps			16		
	HT20, MCS0			31		
	HT20, MCS7			14		

³Performance data are measured under signal chain operation.

⁴Performance data are measured under signal chain operation.

Table 10: WLAN Receiver Characteristics for 5 GHz Dual Chain Operation

Symbol	Parameter	Conditions	Min	Typ	Max	Unit
Fr _x	Receive input frequency range		5.15		5.825	GHz
Srf	Sensitivity					
	OFDM, 6 Mbps	See Note ⁵		-92		dBm
	OFDM, 54 Mbps			-74		
	HT20, MCS0			-92		
	HT20, MCS7			-71		

Symbol	Parameter	Conditions	Min	Typ	Max	Unit
Radj	HT40, MCS0			-86		
	HT40, MCS7			-66		
	Adjacent channel rejection					
	OFDM, 6 Mbps			22		
	OFDM, 54 Mbps	See Note ⁶		9		dB
	HT20, MCS0			20		
	HT20, MCS7			19		

⁵Performance data are measured under signal chain operation.

⁶Performance data are measured under signal chain operation.

8.5 WLAN Transmitter Characteristics

Table 11: WLAN Transmitter Characteristics for 2.4 GHz per Chain Operation

Symbol	Parameter	Conditions	Min	Typ	Max	Unit
Ftx	Transmit output frequency range		2.412		2.484	GHz
Pout	Output power	See Note ⁷				
	11b mask compliant	1Mbps		17		dBm
	11g mask compliant	6Mbps		17		
	11g EVM compliant	54Mbps		14		
	11n HT20 mask compliant	MCS0		17		
	11n HT20 EVM compliant	MCS7		13		
	11n HT20 EVM compliant	MCS15		13		
ATx	Transmit power accuracy at 17 dBm	-	-	+ 2.0		

Freq.	Mode/Rate (Mbps)	Output Power Per Chain (dBm)	Typical Current Consumption Single Chain (mA) ⁸	Max. Current Consumption Single Chain (mA) ⁸
2412MHz	1 Mbps	18dBm	420	560
	54 Mbps	15dBm	350	450
	HT20 MCS7	14dBm	340	420
2442MHz	1 Mbps	18dBm	420	560
	54 Mbps	15dBm	350	450
	HT20 MCS7	14dBm	340	420
2472MHz	1 Mbps	18dBm	420	560
	54 Mbps	15dBm	350	450
	HT20 MCS7	14dBm	340	420

Table 12: WLAN Transmitter Characteristics for 5 GHz Per Chain Operation

Symbol	Parameter	Conditions	Min	Typ	Max	Unit
Ftx	Transmit output frequency range		5.15		5.925	GHz

Symbol	Parameter	Conditions	Min	Typ	Max	Unit	
Pout	Output power	See Note ³					
	11a mask compliant	6Mbps		17		dBm	
	11a EVM compliant	54Mbps		14			
	11n HT20 mask compliant	MCS0		17			
	11n HT20 EVM compliant	MCS7		13			
	11n HT20 EVM compliant	MCS15		13			
	11n HT40 mask compliant	MCS0		14			
	11n HT40 EVM compliant	MCS7		11			
	11n HT40 EVM compliant	MCS15		11			
ATx	Transmit power accuracy at 17dBm	-	-	+ 2.0			dB

Freq.	Mode/Rate [Mbps]	Output Power Per Chain [dBm]	Typical Current Consumption Single Chain (mA) ⁸	Max. Current Consumption Single Chain (mA) ⁸
5180MHz	54 Mbps	15dBm	490	590
	HT20 MCS7	14dBm	450	560
	HT40 MCS7	12dBm	470	540
5500MHz	54 Mbps	15dBm	490	590
	HT20 MCS7	14dBm	450	560
	HT40 MCS7	12dBm	470	540
5825MHz	54 Mbps	15dBm	490	590
	HT20 MCS7	14dBm	450	560
	HT40 MCS7	12dBm	470	540

⁷Performance data are measured under single chain operation.

Note: Final TX power values on each channel are limited by the regulatory certification test limit.

Note: 2.4 GHz does not support HT40 operation, only 5 GHz support HT40 operation.

9 BLUETOOTH RADIO CHARACTERISTICS

Table 13 through Table 14 describe the basic rate transmitter performance, enhanced data transmitter performance, basic rate receiver performance, enhanced rate receiver performance, and current consumption conditions at 25°C.

Table 13: Basic Rate Transmitter Performance Temperature at 25°C (3.3V)

Test Parameter	Min	Typ	Max	BT Spec.	Unit
Maximum RF Output Power	2	6	—	-6 to +10	dBm
Frequency Range	2.4	—	2.4835	$2.4 \leq f \leq 2.4835$	GHz
20 dB Bandwidth	—	925	—	≤ 1000	KHz
Adjacent Channel TX Power $F = F_0 + 2$ MHz	—	-36	—	≤ -20	dBm
Adjacent Channel TX Power $F = F_0 + 3$ MHz	—	-42	—	≤ -40	dBm

Test Parameter	Min	Typ	Max	BT Spec.	Unit
Δf_{1avg} Maximum Modulation	140	165	175	$140 < \Delta f_{1avg} < 175$	KHz
Δf_{2max} Minimum Modulation	—	135	—	≥ 115	KHz
$\Delta f_{2avg}/\Delta f_{1avg}$	—	0.9	—	≥ 0.80	—
Initial Carrier Frequency	—	5	—	$\leq \pm 75$	KHz
Drift Rate	—	5	—	≤ 20	KHz/50 μ s
Drift (DH1 packet)	—	6	—	≤ 25	KHz
Drift (DH5 packet)	—	7	—	≤ 40	KHz

Table 14: Enhanced Data Rate Transmitter Performance 25°C (3.3V)

Test Parameter	Min	Typ	Max	BT Spec.	Unit
Relative Transmit Power	-1	3	6	-4 to +1	dBm
Max Carrier Frequency Stability wo	$\pi/4$ DQPSK	—	1	$\leq \pm 10$	KHz
	8 DPSK	—	1		
Max Carrier Frequency Stability wi	$\pi/4$ DQPSK	—	1	$\leq \pm 75$	KHz
	8 DPSK	—	1		
Max Carrier Frequency Stability w0+wi	$\pi/4$ DQPSK	—	2	$\leq \pm 75$	KHz
	8 DPSK	—	1.5		
RMS DEVM	$\pi/4$ DQPSK	—	6	≤ 20	%
	8 DPSK	—	6	≤ 13	%
Peak DEVM	$\pi/4$ DQPSK	—	16	≤ 35	%
	8 DPSK	—	15	≤ 25	%
99% DEVM	$\pi/4$ DQPSK	—	12	≤ 30	%
	8 DPSK	—	12	≤ 20	%
EDR Differential Phase Encoding	—	99	—	≥ 99	%
Adjacent Channel Power	$F \geq \pm 3$ MHz	—	-60	< -40	dBm
	$F = \pm 2$ MHz	—	-28	≤ -20	dBm
	$F = \pm 1$ MHz	—	-32	≤ -26	dB

Table 15: Basic Rate Receiver Performance at 3.3V

Test Parameter	Min	Typ	Max	BT Spec.	Unit	
Sensitivity	BER $\leq 0.1\%$	—	-84	-78	≤ -70	dBm
Maximum Input	BER $\leq 0.1\%$	-20	-10	—	≥ -20	dBm
	Co-Channel	—	—	11	11	

Test Parameter	Min	Typ	Max	BT Spec.	Unit	
Carrier-to-Interferer Ratio (C/I)	Adjacent Channel (± 1 MHz)	—	-4/-2	0	0	dB
	Second Adjacent Channel (± 2 MHz)	—	-35/-28	-30	-30	dB
	Third Adjacent Channel (± 3 MHz)	—	-42	-40	-40	dB
Maximum Level of Intermodulation Interferers	-39	-30	-	≥ -39	dBm	

Table 16: Enhanced Data Rate Receiver Performance 3.3V

Test Parameter	Min	Typ	Max	Bluetooth Specification	Unit	
Sensitivity (BER $\leq 0.01\%$)	8 DPSK	—	-76	-71	≤ -70	dBm
Maximum Input (BER $\leq 0.1\%$)	$\pi/4$ DQPSK	-20	—	—	≥ -20	dBm
	8 DPSK	-20	—	—	≥ -20	dBm
Co-Channel C/I (BER $\leq 0.1\%$)	$\pi/4$ DQPSK	—	10	13	$\leq \pm 13$	dB
	8 DPSK	—	18	20	$\leq \pm 20$	dB
Adjacent Channel C/I (BER $\leq 0.1\%$)	$\pi/4$ DQPSK	—	-9/-6	0	≤ 0	dB
	8 DPSK	—	-3/0	5	≤ 5	dB
Second Adjacent Channel C/I (BER $\leq 0.1\%$)	$\pi/4$ DQPSK	—	-42/-28	-30	≤ -30	dB
	8 DPSK	—	-28/-22	-25	≤ -25	dB
Third Adjacent Channel C/I (BER $\leq 0.1\%$)	$\pi/4$ DQPSK	—	-45	-40	≤ -40	dB
	8 DPSK	—	-39	-33	≤ -33	dB

10 SDIO TIMING REQUIREMENTS

The following figure (Figure 4) and table display SDIO default mode timing.

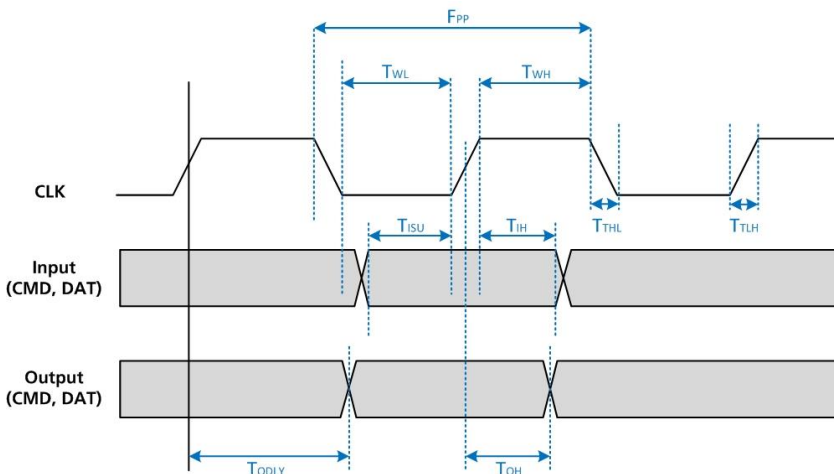


Figure 4: SDIO Default Mode Timing

Note: Timing is based on $CL \leq 40$ pF load on CMD and Data.

Table 17: SDIO Timing Requirements

Symbol	Parameter	Min.	Typ.	Max.	Unit
fPP	Frequency – Data Transfer mode	0	-	50	MHz
tWL	Clock low time	7	-	-	ns
tWH	Clock high time	7	-	-	ns
tTLH	Clock rise time	-	-	10	ns
tTHL	Clock low time	-	-	10	ns
Inputs: CMD, DAT (referenced to CLK)					
tISU	Input setup time	6	-	-	ns
tIH	Input hold time	2	-	-	ns
Outputs: CMD, DAT (referenced to CLK)					
tODLY	Output delay time – Data Transfer mode	0	-	14	ns

11 PIN DEFINITIONS

Pin #	Name	Type	Voltage Reference	Description	If Not Used
1	GND	-	-	Ground	GND
2	3.3Vaux	-	-	3.3V power supply	3.3V
3	Reserved	I/O	-	Reserved pin. Please leave open.	N/C
4	3.3Vaux	-	-	3.3V power supply	3.3V
5	Reserved	I/O	-	Reserved pin. Please leave open.	N/C
6	LED#1	-	-	Reserved for Wi-Fi LED indicator, Active High. Note: Not supported by current software.	N/C
7	GND	-	-	Ground	GND
8	BT_PCM_CLK	I/O	1.8V	BT PCM clock	N/C
9	SDIO_CLK	I	1.8V	WLAN SDIO clock Only used for M2SD50NBT.	N/C
10	BT_PCM_SYNC	I/O	1.8V	BT PCM Synchronous data	N/C
11	SDIO_CMD	I	1.8V	WLAN SDIO command data Only used on M2SD50NBT.	N/C
12	BT_PCM_OUT	O	1.8V	BT PCM synchronous data output	N/C
13	SDIO_DATA0	I/O	1.8V	WLAN SDIO Data0 Only used on M2SD50NBT.	N/C
14	BT_PCM_IN	I	1.8V	BT PCM synchronous data input	N/C
15	SDIO_DATA1	I/O	1.8V	WLAN SDIO Data1 Only used on M2SD50NBT.	N/C
16	LED#2	-	-	N/C	N/C
17	SDIO_DATA2	I/O	1.8V	WLAN SDIO Data2 (used on M2SD50NBT)	N/C
18	GND	-	-	Ground	Ground

Pin #	Name	Type	Voltage Reference	Description	If Not Used
19	SDIO_DATA3	I/O	1.8V	WLAN SDIO Data3 (used on M2SD50NBT)	N/C
20	BT_UART_WAKE	O	3.3V	Reserved for BT to wakeup Host. When BT wakes up from its deep sleep state, it sends an H pulse signal out to Host. Normally, it is Low state.	N/C
21	Wake on WLAN	O	1.8V	Reserved for Wake-ON-Wireless (WOW) LAN, WLAN output signal to wake up host, active Low and already has internal 10K pull up. Note: Not supported by current software.	N/C
22	BT_UART_TXD	O	1.8V	BT UART transmission data.	N/C
23	WLAN reset	I	1.8V	WLAN reset or power down; Active L Already has internal 10K pull-up. Hold this to L to power down the Wi-Fi chip.	N/C
24	Mechanical Key-E	-	-	-	-
25	Mechanical Key-E	-	-	-	-
26	Mechanical Key-E	-	-	-	-
27	Mechanical Key-E	-	-	-	-
28	Mechanical Key-E	-	-	-	-
29	Mechanical Key-E	-	-	-	-
30	Mechanical Key-E	-	-	-	-
31	Mechanical Key-E	-	-	-	-
32	BT_UART_RXD	I	1.8V	BT UART receives data.	N/C
33	GND	-	-	Ground	GND
34	BT_UART_RTS	O	1.8V	BT UART Ready to Send.	N/C
35	N/C	-	-	N/C	N/C
36	BT_UART_CTS	O	1.8V	BT UART Clear to Send.	N/C
37	N/C	-	-	N/C	N/C
38	N/C	-	-	N/C	N/C
39	GND	-	-	Ground	GND
40	N/C	-	-	N/C	N/C
41	N/C	-	-	N/C	N/C
42	N/C	-	-	N/C	N/C
43	N/C	-	-	N/C	N/C
44	LTE_COEX3	I	1.8V	Reserved for LTE coexistence Note: Not currently supported.	N/C
45	GND	-	-	Ground	GND
46	LTE_ACTIVE	I	1.8V	Reserved for LTE coexistence Note: Not currently supported.	N/C
47	N/C	-	-	N/C	N/C

Pin #	Name	Type	Voltage Reference	Description	If Not Used
48	LTE_FRAME_SYNC	I	1.8V	Reserved for LTE coexistence Note: Not currently supported.	N/C
49	N/C	-	-	N/C	N/C
50	CLK_32K	I	3.3V	32.768KHz slow clock input. Necessary to put BT into deep sleep mode.	N/C
51	GND	-	-	Ground	GND
52	N/C	-	-	N/C	N/C
53	N/C	-	-	N/C	N/C
54	BT_RFKILL	I	3.3V	Reset BT or to disable BT; Active L	N/C
55	N/C	-	-	N/C	N/C
56	WIFI_RFKILL	I	3.3V	Reserved for RF disable (RF Kill) feature. Active Low. Note: Not supported by current software.	N/C
57	GND	-	-	Ground	GND
58	N/C	-	-	N/C	N/C
59	N/C	-	-	N/C	N/C
60	N/C	-	-	N/C	N/C
61	N/C	-	-	N/C	N/C
62	N/C	-	-	N/C	N/C
63	GND	-	-	Ground	GND
64	N/C	-	-	N/C	N/C
65	N/C	-	-	N/C	N/C
66	N/C	-	-	N/C	N/C
67	N/C	-	-	N/C	N/C
78	N/C	-	-	N/C	N/C
69	GND	-	-	Ground	GND
70	N/C	-	-	N/C	N/C
71	N/C	-	-	N/C	N/C
72	3.3Vaux	-	-	3.3V power supply	3.3V
73	N/C	-	-	N/C	N/C
74	3.3Vaux	-	-	3.3V power supply	3.3V
75	GND	-	-	Ground	GND

12 MECHANICAL SPECIFICATIONS

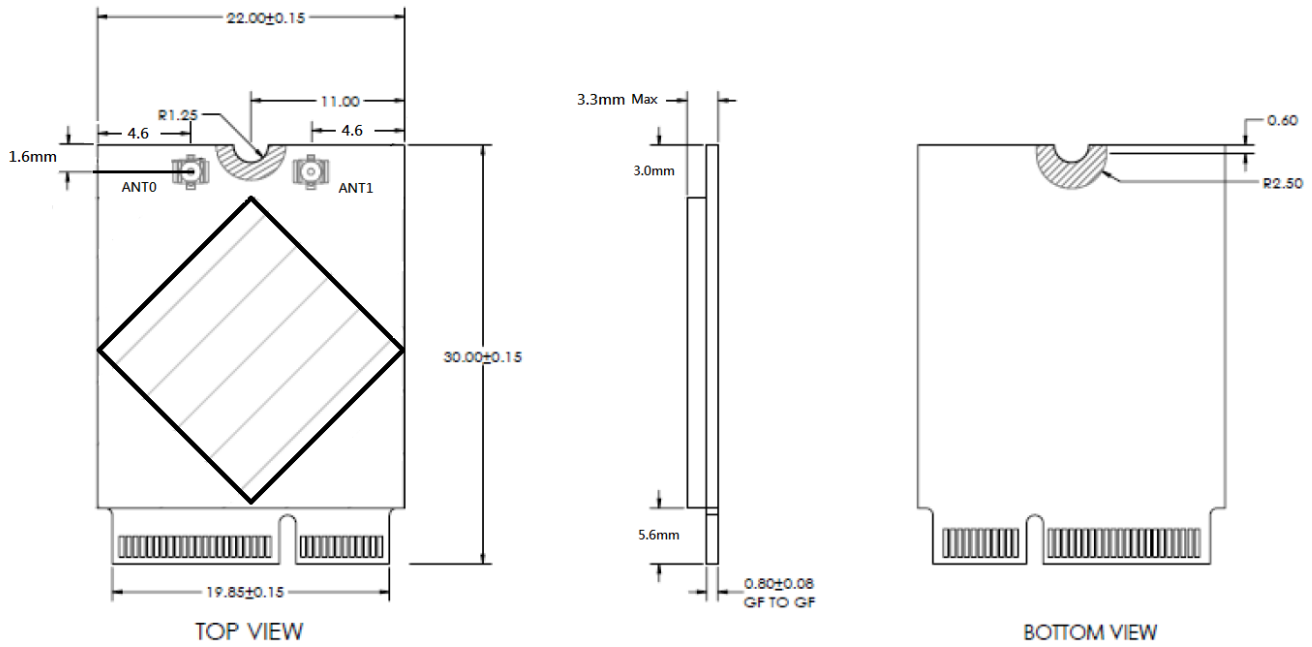


Figure 5: M.2 mechanical drawings

Note: The Wi-Fi MAC address is located on the product label. The BT MAC address is always be numerically subsequent to the Wi-Fi MAC address. Therefore, the BT MAC address is Wi-Fi MAC address plus one.

13 MOUNTING

The M2SD50NBT connects to the host via a standard PCI EXPRESS M2 connector.

Kyocera's (www.Kyocera-connector.com) 6411 series provide 1.8 mm, 2.3 mm and 3.2 mm connector heights.

M2SD50NBT is a signal-side component module; Laird recommends part number 24-6411-067-101-897E which has 2.3 mm connector height.

The stand-off mating to the recommend 2.3 mm connector from EMI STOP (www.EMISTOP.com) is part number F50M16-041525P1D4M. Detail layout and stencil opening are show in Figure 6.

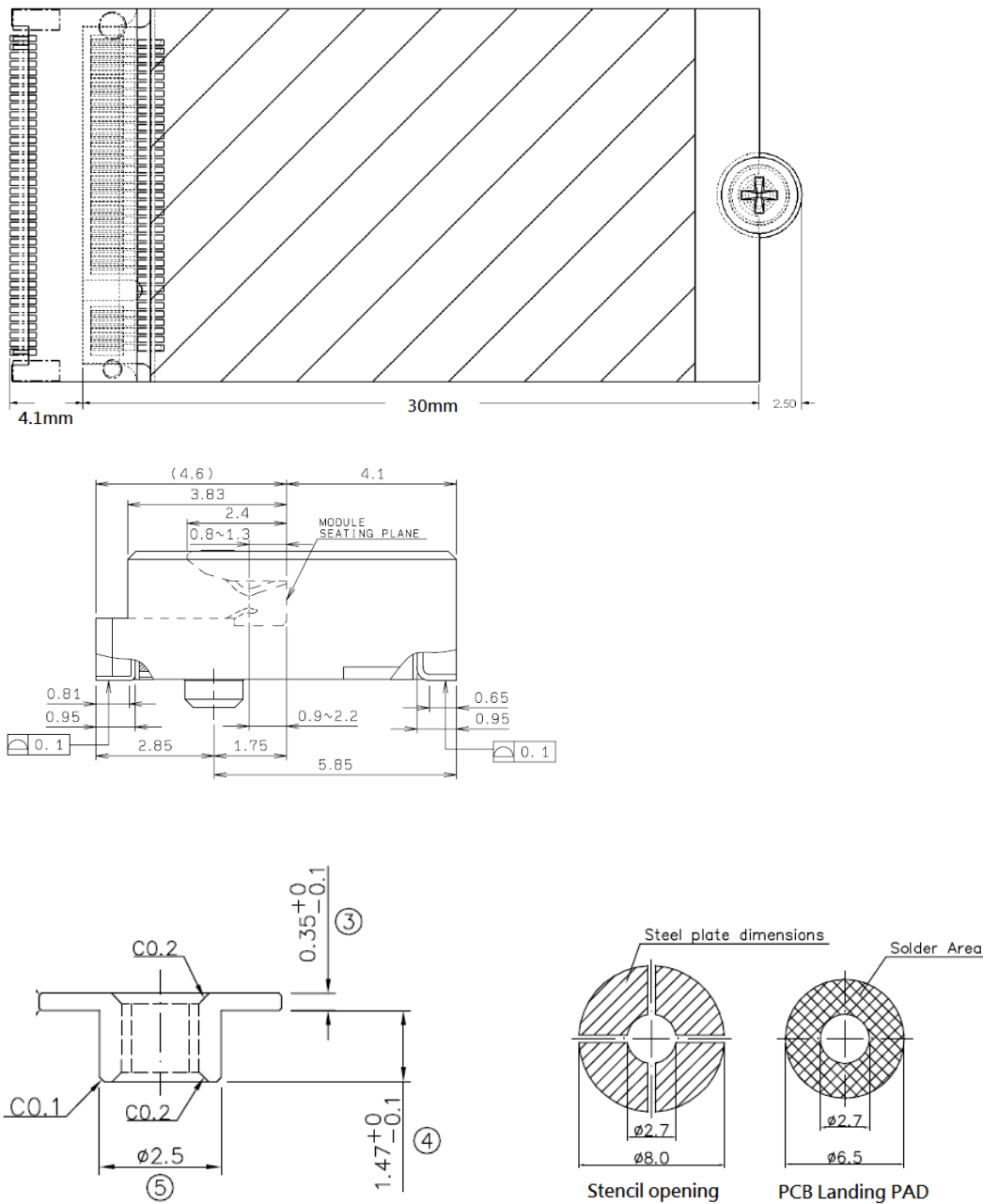
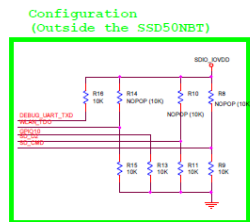
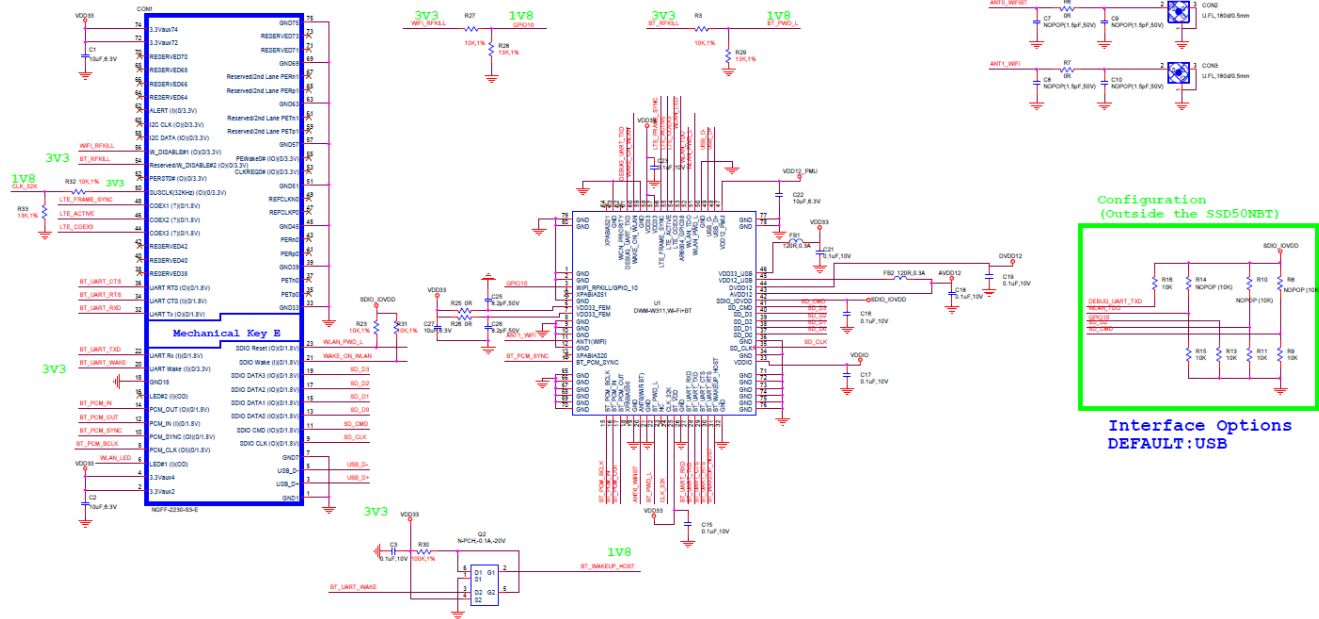
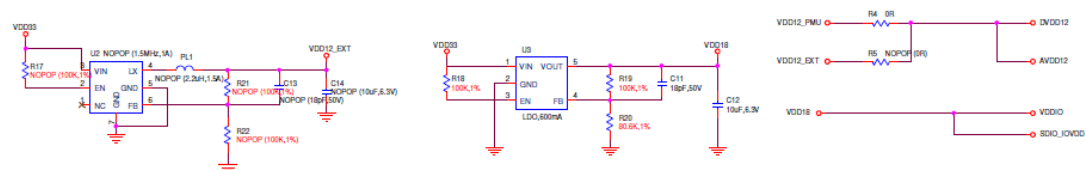


Figure 6: Mounting information for M2SD50NBT and recommended land pad for stand-off

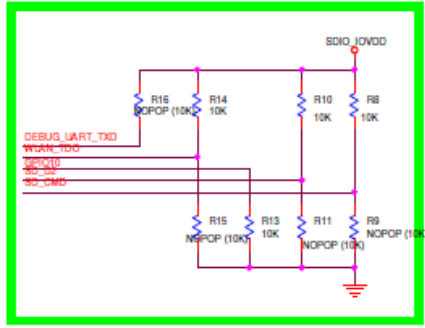
14 REFERENCE SCHEMATIC OF M2SD50NBT



Interface Options
DEFAULT:USB



Configuration (Outside the SSD50NBT)



PinName	SDIO2.0	USB2.0	HSIC	Notes
SD_CMD	1	0	0	
SD_D2	1	0	0	
SD_D1 Inside SIP	1	1	1	Pull High to Avoid Booting into test modes
GPIO10	0	0	1	Pull low to Avoid leakage (SDIO only)
DEBUG_UART_TXD	X	1	1	No Connect at SDIO
WLAN_TDO	1	0	0	Pull high to Avoid leakage Only SDIO

M2SD50NBT	SD_CMD	SD_D2	GPIO-10	WLAN_TDO	DEBUG_UART_TXD	R4/R5
M2SD50NBT	H	H	L	H	X	NP/0Ω

15 RF LAYOUT DESIGN GUIDELINES/PRECAUTIONS

The following is a list of RF layout design guidelines and recommendation when installing a Laird radio into your device.

- Do not run antenna cables directly above or directly below the radio.
- Do not place any parts or run any high speed digital lines below the radio.
- If there are other radios or transmitters located on the device (such as a Bluetooth radio), place the devices as far apart from each other as possible. Also, make sure there are at least 25dB isolation between Bluetooth antenna and Wi-Fi antenna.
- Laird recommends the use of a double shielded cable for the connection between the radio and the antenna elements.
- Be sure to put the capacitor on the power pin as close as possible to reduce the radiation issue.
- Use proper electro-static-discharge (ESD) procedures when installing the Laird radio module.
- In order to get maximum throughput when operate at MIMO 2x2, two antennas with at least 25dB isolation is recommended.
- To avoid negatively impacting TX power and receiver sensitivity, do no cover the antennas with metallic objects or components.
- Opening/handling/removing must be done on an anti-ESD treated workbench. All workers must also have undergone anti-ESD treatment.
- The devices should be mounted within one year of the date of delivery.

16 REGULATORY

16.1 Certified Antennas

Model	Type	Connector	2400~2483.5MHz
			5150~5250MHz 5250~5350MHz 5470~5725MHz 5725~5850MHz
Laird MAF94051	Dipole	RP-SMA	2.1 dBi (2.4-2.5 GHz), 2.4 dBi (4.9 GHz) 2.6 dBi (5.25 GHz), 3.4 dBi (5.875 GHz)
Laird/NanoBlade-IP04	PCB Dipole	IPEX MHF	2 dBi (2.4-2.5 GHz), 3.9 dBi (5.15-5.35 GHz), 4 dBi (5.6 GHz)
Laird/MAF95310 Mini Nano Blade Flex	PCB Dipole	IPEX MHF	2.79 dBi (2.4 GHz), 3.38 dBi (5 GHz)
Laird/NanoBlue-IP04	PCB Dipole	IPEX MHF	2 dBi (2.4 GHz only)
Ethertronics/WLAN_1000146	Isolated Magnetic Dipole	IPEX MHF	2.5 dBi (2.390-2.490 GHz), 3.5 dBi (4.900-5.100, 5.150-5.350, 5.70-5.900 GHz)

17 FCC AND IC REGULATORY

Model	US/FCC	CANADA/IC
M2SD50NBT	SQG-M2SD50NBT	3147A-M2SD50NBT

The M2SD50NBT is designed to pass certification with the antenna listed below. The required antenna impedance is 50 ohms.

Model	Type	Connector	Peak gain (dBi)				
			2400~2483.5 MHz	5150~5250 MHz	5250~5350 MHz	5470~5725 MHz	5725~5850 MHz
Laird MAF94051	Dipole	RP-SMA	2.1 dBi	2.4 dBi	2.6 dBi	3.4 dBi	
Laird NanoBlade-IP04	PCB Dipole	IPEX MHF	2 dBi	3.9 dBi		4 dBi	
Laird MAF95310 Mini NanoBlade Flex	PCB Dipole	IPEX MHF	2.79 dBi	3.38 dBi			
Laird NanoBlue-IP04	PCB Dipole	IPEX MHF	2dBi	-			
Ethertronics WLAN_1000146	Isolated Magnetic Dipole	IPEX MHF	2.5dBi	3.5 dBi			

17.1 FCC

17.1.1 Federal Communication Commission Interference Statement

This equipment has been tested and found to comply with the limits for a Class B digital device, pursuant to Part 15 of the FCC Rules. These limits are designed to provide reasonable protection against harmful interference in a residential installation. This equipment generates, uses and can radiate radio frequency energy and, if not installed and used in accordance with the instructions, may cause harmful interference to radio communications. However, there is no guarantee that interference will not occur in a particular installation. If this equipment does cause harmful interference to radio or television reception, which can be determined by turning the equipment off and on, the user is encouraged to try to correct the interference by one of the following measures:

- Reorient or relocate the receiving antenna.
- Increase the separation between the equipment and receiver.
- Connect the equipment into an outlet on a circuit different from that to which the receiver is connected.
- Consult the dealer or an experienced radio/TV technician for help.

FCC Caution:

Any changes or modifications not expressly approved by the party responsible for compliance could void the user's authority to operate this equipment.

This device complies with Part 15 of the FCC Rules. Operation is subject to the following two conditions: (1) This device may not cause harmful interference, and (2) this device must accept any interference received, including interference that may cause undesired operation.

Important Note:

Radiation Exposure Statement

This equipment complies with FCC radiation exposure limits set forth for an uncontrolled environment. This equipment should be installed and operated with minimum distance 20cm between the radiator and your body.

This transmitter must not be co-located or operating in conjunction with any other antenna or transmitter.

Country Code selection feature to be disabled for products marketed to the US/Canada.

This device is intended only for OEM integrators under the following conditions:

1. The antenna must be installed such that 20 cm is maintained between the antenna and users, and
2. The transmitter module may not be co-located with any other transmitter or antenna,
3. For all products market in US, OEM has to limit the operation channels in CH1 to CH11 for 2.4G band by supplied firmware programming tool. OEM shall not supply any tool or info to the end-user regarding to Regulatory Domain change.

As long as the three conditions above are met, further **transmitter** testing will not be required. However, the OEM integrator is still responsible for testing their end-product for any additional compliance requirements required with this module installed.

Important Note:

In the event that these conditions **cannot be met** (for example certain laptop configurations or co-location with another transmitter), then the FCC authorization is no longer considered valid and the FCC ID **cannot** be used on the final product. In these circumstances, the OEM integrator will be responsible for re-evaluating the end product (including the transmitter) and obtaining a separate FCC authorization.

17.1.2 End Product Labeling

This transmitter module is authorized only for use in device where the antenna may be installed such that 20 cm may be maintained between the antenna and users. The final end product must be labeled in a visible area with the following:

Contains FCC ID: SQG-M2SD50NBT.

17.1.3 Manual Information to the End User

The OEM integrator has to be aware not to provide information to the end user regarding how to install or remove this RF module in the user's manual of the end product which integrates this module.

The end user manual shall include all required regulatory information/warning as show in this manual.

17.2 Industry Canada

17.2.1 Industry Canada Statement

This device complies with Industry Canada's licence-exempt RSSs. Operation is subject to the following two conditions:

1. This device may not cause interference; and
2. This device must accept any interference, including interference that may cause undesired operation of the device.

Le présent appareil est conforme aux CNR d'Industrie Canada applicables aux appareils radio exempts de licence. L'exploitation est autorisée aux deux conditions suivantes:

1. l'appareil ne doit pas produire de brouillage;
2. l'utilisateur de l'appareil doit accepter tout brouillage radioélectrique subi, même si le brouillage est susceptible d'en compromettre le fonctionnement.

This radio transmitter (IC: 3147A-M2SD50NBT) has been approved by Industry Canada to operate with the antenna types listed below with the maximum permissible gain indicated. Antenna types not included in this list, having a gain greater than the maximum gain indicated for that type, are strictly prohibited for use with this device.

Le présent émetteur radio (IC: 3147A-M2SD50NBT) a été approuvé par Industrie Canada pour fonctionner avec les types d'antenne énumérés ci-dessous et ayant un gain admissible maximal. Les types d'antenne non inclus dans cette liste, et dont le gain est supérieur au gain maximal indiqué, sont strictement interdits pour l'exploitation de l'émetteur.

17.2.2 Antenna Information

Model	Type	Connector	Peak gain (dBi)				
			2400~2483.5 MHz	5150~5250 MHz	5250~5350 MHz	5470~5725 MHz	5725~5850 MHz
Laird MAF94051	Dipole	RP-SMA	2.1 dBi	2.4 dBi	2.6 dBi	3.4 dBi	
Laird NanoBlade-IP04	PCB Dipole	IPEX MHF	2 dBi	3.9 dBi		4 dBi	
Laird MAF95310 Mini NanoBlade Flex	PCB Dipole	IPEX MHF	2.79 dBi	3.38 dBi			
Laird NanoBlue-IP04	PCB Dipole	IPEX MHF	2dBi	-			
Ethertronics WLAN_1000146	Isolated Magnetic Dipole	IPEX MHF	2.5dBi	3.5 dBi			

Caution:

(i) the device for operation in the band 5150–5250 MHz is only for indoor use to reduce the potential for harmful interference to co-channel mobile satellite systems;

(ii) for devices with detachable antenna(s), the maximum antenna gain permitted for devices in the bands 5250-5350 MHz and 5470-5725 MHz shall be such that the equipment still complies with the e.i.r.p. limit;

(iii) for devices with detachable antenna(s), the maximum antenna gain permitted for devices in the band 5725-5850 MHz shall be such that the equipment still complies with the e.i.r.p. limits specified for point-to-point and non-point-to-point operation as appropriate; and

Operations in the 5.25-5.35GHz band are restricted to indoor usage only.

Avertissement:

(i) les dispositifs fonctionnant dans la bande de 5150 à 5250MHz sont réservés uniquement pour une utilisation à l'intérieur afin de réduire les risques de brouillage préjudiciable aux systèmes de satellites mobiles utilisant les mêmes canaux;

(ii) pour les dispositifs munis d'antennes amovibles, le gain maximal d'antenne permis pour les dispositifs utilisant les bandes de 5250 à 5350MHz et de 5470 à 5725 MHz doit être conforme à la limite de la p.i.r.e.;

(iii) pour les dispositifs munis d'antennes amovibles, le gain maximal d'antenne permis (pour les dispositifs utilisant la bande de 5725 à 5850 MHz) doit être conforme à la limite de la p.i.r.e. spécifiée pour l'exploitation point à point et l'exploitation non point à point, selon le cas;

Les opérations dans la bande de 5.25-5.35GHz sont limités à un usage intérieur seulement.

Radiation Exposure Statement:

This equipment complies with Canada radiation exposure limits set forth for an uncontrolled environment. This equipment should be installed and operated with minimum distance 20cm between the radiator & your body.

Déclaration d'exposition aux radiations:

Cet équipement est conforme Canada limites d'exposition aux radiations dans un environnement non contrôlé. Cet équipement doit être installé et utilisé à distance minimum de 20cm entre le radiateur et votre corps.

This device is intended only for OEM integrators under the following conditions:

- 1) The transmitter module may not be co-located with any other transmitter or antenna.

As long as 1 condition above are met, further transmitter test will not be required. However, the OEM integrator is still responsible for testing their end-product for any additional compliance requirements required with this module installed.

Cet appareil est conçu uniquement pour les intégrateurs OEM dans les conditions suivantes:

- 1) Le module émetteur peut ne pas être coimplanté avec un autre émetteur ou antenne.

Tant que les 1 condition ci-dessus sont remplies, des essais supplémentaires sur l'émetteur ne seront pas nécessaires. Toutefois, l'intégrateur OEM est toujours responsable des essais sur son produit final pour toutes exigences de conformité supplémentaires requis pour ce module installé.

IMPORTANT NOTE:

In the event that these conditions can not be met (for example certain laptop configurations or co-location with another transmitter), then the Canada authorization is no longer considered valid and the IC ID can not be used on the final product. In these circumstances, the OEM integrator will be responsible for re-evaluating the end product (including the transmitter) and obtaining a separate Canada authorization.

NOTE IMPORTANTE:

Dans le cas où ces conditions ne peuvent être satisfaites (par exemple pour certaines configurations d'ordinateur portable ou de certaines co-localisation avec un autre émetteur), l'autorisation du Canada n'est plus considéré comme valide et l'ID IC ne peut pas être utilisé sur le produit final. Dans ces circonstances, l'intégrateur OEM sera chargé de réévaluer le produit final (y compris l'émetteur) et l'obtention d'une autorisation distincte au Canada.

End Product Labeling

The final end product must be labeled in a visible area with the following: "Contains IC: 3147A-M2SD50NBT".

Plaque signalétique du produit final

Le produit final doit être étiqueté dans un endroit visible avec l'inscription suivante: "Contient des IC: 3147A-M2SD50NBT".

Manual Information to the End User

The OEM integrator has to be aware not to provide information to the end user regarding how to install or remove this RF module in the user's manual of the end product which integrates this module.

The end user manual shall include all required regulatory information/warning as show in this manual.

Manuel d'information à l'utilisateur final

L'intégrateur OEM doit être conscient de ne pas fournir des informations à l'utilisateur final quant à la façon d'installer ou de supprimer ce module RF dans le manuel de l'utilisateur du produit final qui intègre ce module.

Le manuel de l'utilisateur final doit inclure toutes les informations réglementaires requises et avertissements comme indiqué dans ce manuel.

18 EUROPEAN UNION REGULATORY

The M2SD50NBT was tested for compliance with relevant standards for the EU market. It was tested with antennas listed below.

Model	Type	Connector	2400~2483.5MHz	
			5150~5250MHz	5250~5350MHz
Laird MAF94051	Dipole	RP-SMA	2.1 dBi (2.4-2.5 GHz), 2.4 dBi (4.9 GHz)	2.6 dBi (5.25 GHz), 3.4 dBi (5.875 GHz)
Laird/NanoBlade-IP04	PCB Dipole	IPEX MHF	2 dBi (2.4-2.5 GHz), 3.9 dBi (5.15-5.35 GHz), 4 dBi (5.6 GHz)	
Laird/MAF95310 Mini Nano Blade Flex	PCB Dipole	IPEX MHF	2.79 dBi (2.4 GHz), 3.38 dBi (5 GHz)	
Laird/NanoBlue-IP04	PCB Dipole	IPEX MHF	2 dBi (2.4 GHz only)	
Ethertronics/WLAN_1000146	Isolated Magnetic Dipole	IPEX MHF	2.5 dBi (2.390-2.490 GHz), 3.5 dBi (4.900-5.100, 5.150-5.350, 5.70-5.900 GHz)	

The OEM should consult with a qualified test house before entering their device into an EU member country to make sure all regulatory requirements have been met for their complete device.

Reference the Declaration of Conformities listed below for a full list of the standards to which the module was tested. Test reports are available upon request.

18.1 EU Declarations of Conformity

Manufacturer	Laird
Products	M2SD50NBT
Product Description	802.11 a/b/g/n Enterprise Wi-Fi + Bluetooth module
EU Directives	2014/53/EU – Radio Equipment Directive (RED)



Reference standards used for presumption of conformity:

Article Number	Requirement	Reference standard(s)
3.1a	Low voltage equipment safety	EN 60950-1:2006 +A11:2009 +A1:2010 +A12:2011 +A2:2013
	RF Exposure	EN 62311:2008
3.1b	Protection requirements with respect to electromagnetic compatibility	EN 301 489-1 v2.2.0 (2017-03) EN 301 489-17 v3.2.0 (2017-03)
3.2	Protection requirements – Electromagnetic compatibility	EN 300 328 v2.1.1 (2016-11) EN 301 893 v2.1.1 (2017-05)

Declaration:

We, Laird, declare under our sole responsibility that the essential radio test suites have been carried out and that the above product to which this declaration relates is in conformity with all the applicable essential requirements of Article 3 of the EU Directive 2014/53/EU, when used for its intended purpose.

Place of Issue:	Laird W66N220 Commerce Court, Cedarburg, WI 53012 USA tel: +1-262-375-4400 fax: +1-262-364-2649
Date of Issue:	June 2017
Name of Authorized Person:	Thomas T Smith, Director of EMC Compliance
Signature of Authorized Person:	

Maximum Output Power for Each Frequency

20.00 dBm, 2.4G: 2.412 GHz~2.472 GHz	22.80 dBm, 5.15-5.25GHz
10.00 dBm, for BT	22.60 dBm, 5.25-5.35GHz
10.00 dBm, for BT LE	22.60 dBm, 5.47-5.725GHz

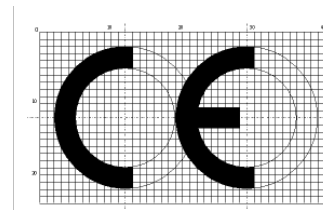
Software Version for Testing

SW version: 3.5.2.15

The minimum distance between the user and/or any bystander and the radiating structure of the transmitter is 20 cm.

5150 ~ 5350 MHz is limited to indoor used in the following countries:

	BE	DK	IE	FR	CY	LU	NL	PT	SK	UK	NO
	BG	DE	EL	HR	LV	HU	AT	RO	FI	LI	TR
	CZ	EE	ES	IT	LT	MT	PL	SI	SE	IS	CH



19 ORDERING INFORMATION

Part Number	Description
M2SD50NBT	2X2 802.11 a/b/g/n with BT4.0 dual mode module. WLAN run at SDIO bus. BT run at UART/PCM

19.1 General Comments

This is a preliminary datasheet. Please check with Laird for the latest information before commencing a design. If in doubt, ask.

Česky [Czech]	[<i>Jméno výrobce</i>] tímto prohlašuje, že tento [<i>typ zařízení</i>] je ve shodě se základními požadavky a dalšími příslušnými ustanoveními směrnice 1999/5/ES.
Dansk [Danish]	Undertegnede [<i>fabrikantens navn</i>] erklærer herved, at følgende udstyr [<i>udstyrets typebetegnelse</i>] overholder de væsentlige krav og øvrige relevante krav i direktiv 1999/5/EF.
Deutsch [German]	Hiermit erkläre [<i>Name des Herstellers</i>], dass sich das Gerät [<i>Gerätetyp</i>] in Übereinstimmung mit den grundlegenden Anforderungen und den übrigen einschlägigen Bestimmungen der Richtlinie 1999/5/EG befindet.
Eesti [Estonian]	Käesolevaga kinnitab [<i>tootja nimi = name of manufacturer</i>] seadme [<i>seadme tüüp = type of equipment</i>] vastavust direktiivi 1999/5/EÜ põhinõuetele ja nimetatud direktiivist tulenevatele teistele asjakohastele sätetele.

en English	Hereby, <i>[name of manufacturer]</i> , declares that this <i>[type of equipment]</i> is in compliance with the essential requirements and other relevant provisions of Directive 1999/5/EC.
es Español [Spanish]	Por medio de la presente <i>[nombre del fabricante]</i> declara que el <i>[clase de equipo]</i> cumple con los requisitos esenciales y cualesquiera otras disposiciones aplicables o exigibles de la Directiva 1999/5/CE.
el Ελληνική [Greek]	ΜΕ ΤΗΝ ΠΑΡΟΥΣΑ <i>[name of manufacturer]</i> ΔΗΛΩΝΕΙ ΟΤΙ <i>[type of equipment]</i> ΣΥΜΜΟΡΦΩΝΕΤΑΙ ΠΡΟΣ ΤΙΣ ΟΥΣΙΩΔΕΙΣ ΑΠΑΙΤΗΣΕΙΣ ΚΑΙ ΤΙΣ ΛΟΙΠΕΣ ΣΧΕΤΙΚΕΣ ΔΙΑΤΑΞΕΙΣ ΤΗΣ ΟΔΗΓΙΑΣ 1999/5/ΕΚ.
fr Français [French]	Par la présente <i>[nom du fabricant]</i> déclare que l'appareil <i>[type d'appareil]</i> est conforme aux exigences essentielles et aux autres dispositions pertinentes de la directive 1999/5/CE.
it Italiano [Italian]	Con la presente <i>[nome del costruttore]</i> dichiara che questo <i>[tipo di apparecchio]</i> è conforme ai requisiti essenziali ed alle altre disposizioni pertinenti stabilite dalla direttiva 1999/5/CE.
Latviski [Latvian]	Aršo <i>[name of manufacturer /izgatavotājanosaukums]</i> deklarē, ka <i>[type of equipment / iekārtas tips]</i> atbilst Direktīvas 1999/5/EK būtiskajām prasībām un citiem ar saistītajiem noteikumiem.
Lietuvių [Lithuanian]	Šiuo <i>[manufacturer name]</i> deklaruoją, kad šis <i>[equipment type]</i> atitinka esminius reikalavimus ir kitas 1999/5/EB Direktyvos nuostatas.
nl Nederlands [Dutch]	Hierbij verklaart <i>[naam van de fabrikant]</i> dat het toestel <i>[type van toestel]</i> in overeenstemming is met de essentiële eisen en de andere relevante bepalingen van richtlijn 1999/5/EG.
mt Malti [Maltese]	Hawnhekk, <i>[isem tal-manifattur]</i> , jiddikjara li dan <i>[il-mudel tal-prodott]</i> jikkonforma mal-htigijiet essenzjali u ma provvedimenti oħrajn rilevanti li hemm fid-Dirrettiva 1999/5/EC.
hu Magyar [Hungarian]	Alulírott, <i>[gyártó neve]</i> nyilatkozom, hogy a <i>[... típus]</i> megfelel a vonatkozó alapvető követelményeknek és az 1999/5/EC irányelv egyéb előírásainak.
pl Polski [Polish]	Niniejszym <i>[nazwa producenta]</i> oświadczam, że <i>[nazwa wyrobu]</i> jest zgodny z zasadniczymi wymogami oraz pozostałymi stosownymi postanowieniami Dyrektywy 1999/5/EC.
pt Português [Portuguese]	<i>[Nome do fabricante]</i> declara que este <i>[tipo de equipamento]</i> está conforme com os requisitos essenciais e outras disposições da Directiva 1999/5/CE.
sl Slovensko [Slovenian]	<i>[Ime proizvajalca]</i> izjavlja, da je ta <i>[tip opreme]</i> v skladu z bistvenimi zahtevami in ostalimi relevantnimi določili direktive 1999/5/ES.
Slovensky [Slovak]	<i>[Menovýrobcu]</i> týmto vyhlasuje, že <i>[typ zariadenia]</i> spĺňa základné požiadavky a všetky príslušné ustanovenia Smernice 1999/5/ES.
fi Suomi [Finnish]	<i>[Valmistaja = manufacturer]</i> vakuuttaa täten että <i>[type of equipment = laiteen tyyppimerkintä]</i> tyyppinen laite on direktiivin 1999/5/EY oleellisten vaatimusten ja sitä koskevien direktiivin muiden ehtojen mukainen.
sv Svenska [Swedish]	Härmed intygar <i>[företag]</i> att denna <i>[utrustningstyp]</i> står i överensstämmelse med de väsentliga egenskapskrav och övriga relevanta bestämmelser som framgår av direktiv 1999/5/EG.

© Copyright 2018 Laird. All Rights Reserved. Any information furnished by Laird and its agents is believed to be accurate and reliable. All specifications are subject to change without notice. Responsibility for the use and application of Laird materials or products rests with the end user since Laird and its agents cannot be aware of all potential uses. Laird makes no warranties as to non-infringement nor as to the fitness, merchantability, or sustainability of any Laird materials or products for any specific or general uses. Laird, Laird Technologies, Inc., or any of its affiliates or agents shall not be liable for incidental or consequential damages of any kind. All Laird products are sold pursuant to the Laird Terms and Conditions of Sale in effect from time to time, a copy of which will be furnished upon request. When used as a trademark herein, Laird means Laird PLC or one or more subsidiaries of Laird PLC. Laird™, Laird Technologies™, corresponding logos, and other marks are trademarks or registered trademarks of Laird. Other marks may be the property of third parties. Nothing herein provides a license under any Laird or any third party intellectual property right.



Компания «ЭлектроПласт» предлагает заключение долгосрочных отношений при поставках импортных электронных компонентов на взаимовыгодных условиях!

Наши преимущества:

- Оперативные поставки широкого спектра электронных компонентов отечественного и импортного производства напрямую от производителей и с крупнейших мировых складов;
- Поставка более 17-ти миллионов наименований электронных компонентов;
- Поставка сложных, дефицитных, либо снятых с производства позиций;
- Оперативные сроки поставки под заказ (от 5 рабочих дней);
- Экспресс доставка в любую точку России;
- Техническая поддержка проекта, помощь в подборе аналогов, поставка прототипов;
- Система менеджмента качества сертифицирована по Международному стандарту ISO 9001;
- Лицензия ФСБ на осуществление работ с использованием сведений, составляющих государственную тайну;
- Поставка специализированных компонентов (Xilinx, Altera, Analog Devices, Intersil, Interpoint, Microsemi, Aeroflex, Peregrine, Syfer, Eurofarad, Texas Instrument, Miteq, Cobham, E2V, MA-COM, Hittite, Mini-Circuits, General Dynamics и др.);

Помимо этого, одним из направлений компании «ЭлектроПласт» является направление «Источники питания». Мы предлагаем Вам помощь Конструкторского отдела:

- Подбор оптимального решения, техническое обоснование при выборе компонента;
- Подбор аналогов;
- Консультации по применению компонента;
- Поставка образцов и прототипов;
- Техническая поддержка проекта;
- Защита от снятия компонента с производства.



Как с нами связаться

Телефон: 8 (812) 309 58 32 (многоканальный)

Факс: 8 (812) 320-02-42

Электронная почта: org@eplast1.ru

Адрес: 198099, г. Санкт-Петербург, ул. Калинина, дом 2, корпус 4, литера А.