

**PLEASE CHECK WWW.MOLEX.COM FOR LATEST PART INFORMATION**

**Part Number:** [0545480571](#)  
**Status:** **Active**  
**Overview:** [ffc fpc smt](#)  
**Description:** 0.50mm (.020") Pitch FFC/FPC Connector, 1.20mm (.047") Height, Right Angle, SMT, ZIF, Bottom Contact Style, 5 Circuits, Lead-free, Gold (Au) Plating

**Documents:**

[3D Model](#) [Product Specification PS-54548-039 \(PDF\)](#)  
[Drawing \(PDF\)](#) [RoHS Certificate of Compliance \(PDF\)](#)

**General**

Product Family FFC/FPC Connectors  
 Series [54548](#)  
 Overview [ffc fpc smt](#)  
 Product Name N/A

**Physical**

Circuits (Loaded) 5  
 Contact Position Bottom  
 Durability (mating cycles max) 20  
 Entry Angle 90° Angle  
 Mated Height (in) 0.047 In  
 Mated Height (mm) 1.20 mm  
 Material - Metal Phosphor Bronze  
 Material - Plating Mating Gold  
 Material - Plating Termination Tin  
 Number of Rows 1  
 Orientation Right Angle  
 PCB Locator No  
 PCB Retention Yes  
 Packaging Type Embossed Tape on Reel  
 Pitch - Mating Interface (in) 0.020 In  
 Pitch - Mating Interface (mm) 0.50 mm  
 Polarized to PCB Yes  
 Stackable No  
 Temperature Range - Operating -20°C to +85°C  
 Termination Interface: Style Surface Mount  
 Wire/Cable Type FFC/FPC

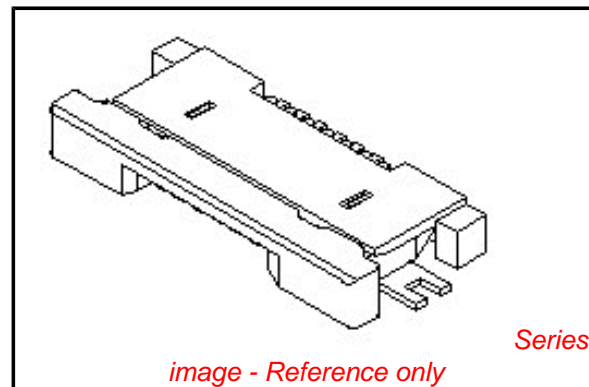
**Electrical**

Current - Maximum per Contact 0.5A  
 Voltage - Maximum 50V

**Material Info**

**Reference - Drawing Numbers**

Packaging Specification SPK-54548-001  
 Product Specification PS-54548-039, RPS-54548-083, RPS-54548-085, RPS-54548-091, RPS-54548-097, RPS-54548-099  
 Sales Drawing SD-54548-039, SD-54548-040



*image - Reference only*

**EU RoHS**

**ELV and RoHS Compliant**  
**REACH SVHC**  
 Not Reviewed  
**Halogen-Free Status**  
 Not Reviewed

**China RoHS**



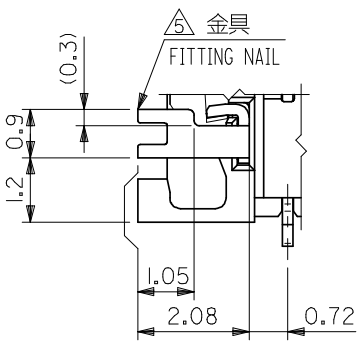
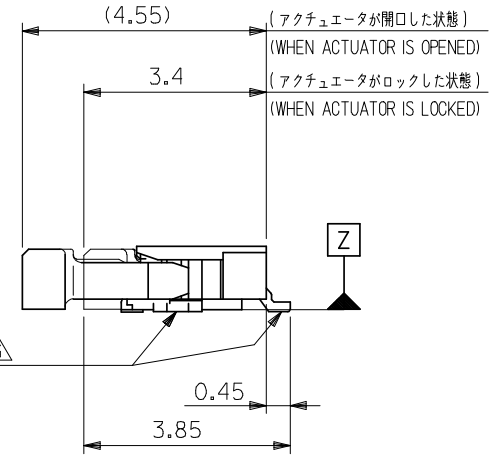
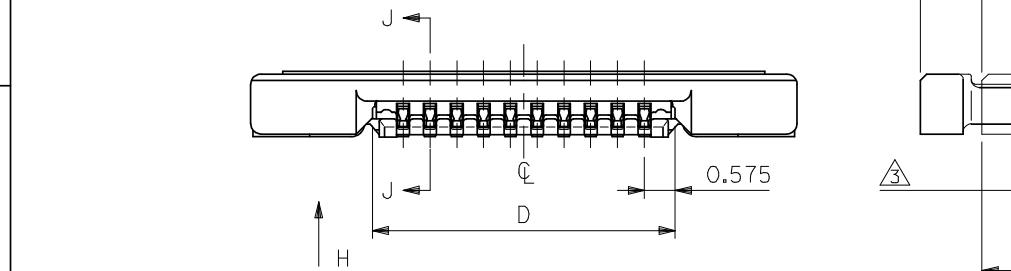
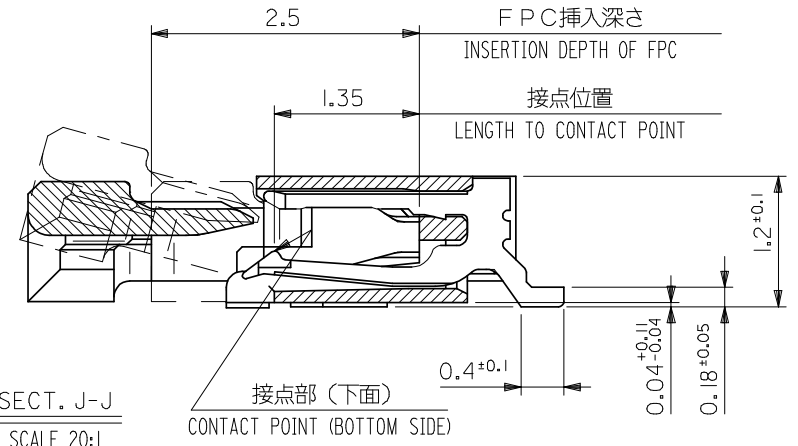
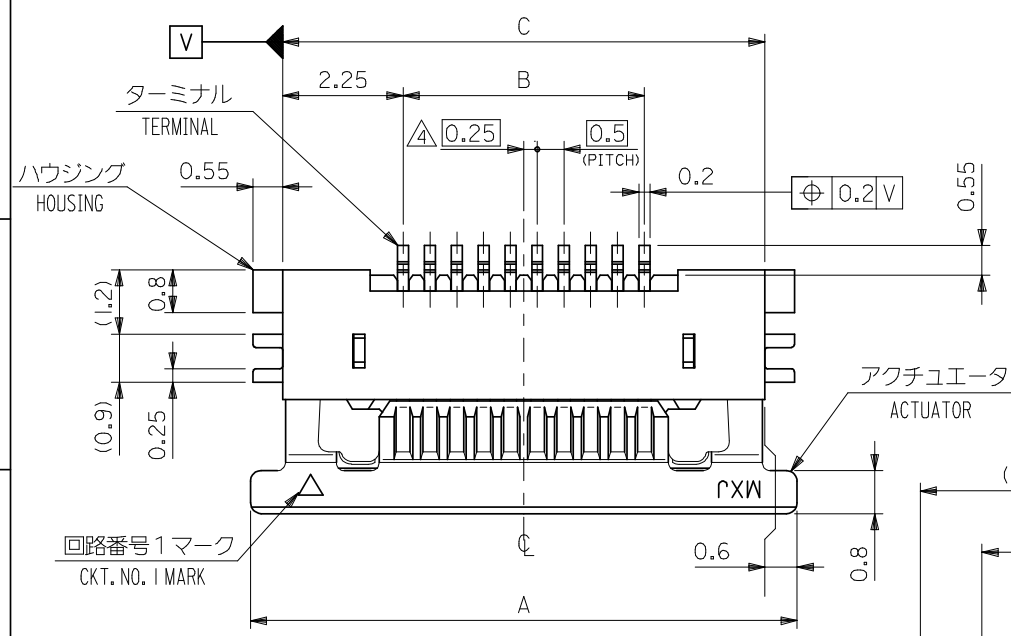
**Need more information on product environmental compliance?**

Email [productcompliance@molex.com](mailto:productcompliance@molex.com)  
 For a multiple part number RoHS Certificate of Compliance, [click here](#)

Please visit the [Contact Us](#) section for any non-product compliance questions.

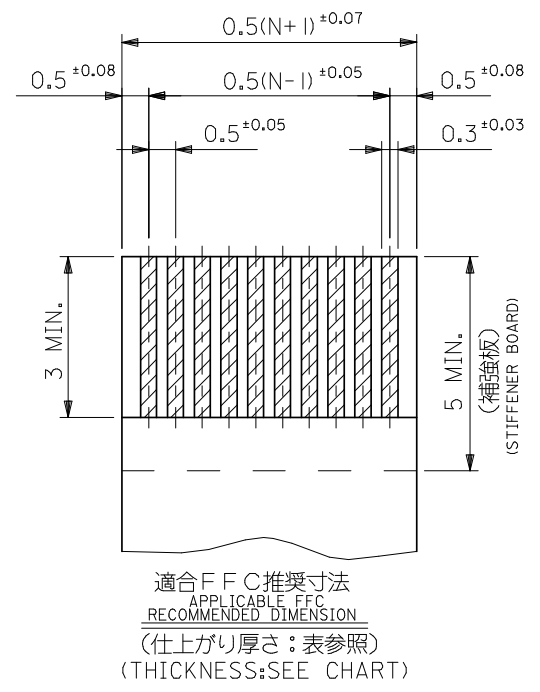
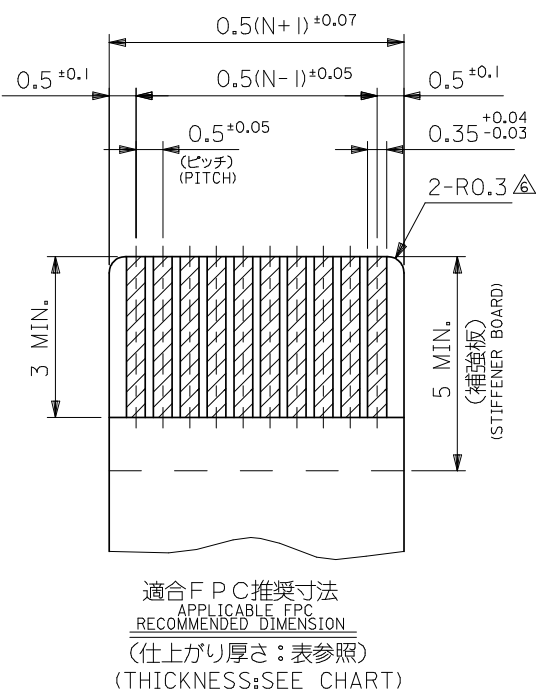
**Search Parts in this Series**

[54548Series](#)



|               |       |      |      |            |                                |                   |        |
|---------------|-------|------|------|------------|--------------------------------|-------------------|--------|
| 0.28±0.03     | 13.65 | 17.0 | 12.5 | 18.2       | 54548-2671                     | 54548-2629        | 26     |
|               | 12.65 | 16.0 | 11.5 | 17.2       | 54548-2471                     | 54548-2429        | 24     |
|               | 12.15 | 15.5 | 11.0 | 16.7       | 54548-2371                     | 54548-2329        | 23     |
|               | 11.65 | 15.0 | 10.5 | 16.2       | 54548-2271                     | 54548-2229        | 22     |
|               | 11.15 | 14.5 | 10.0 | 15.7       | 54548-2171                     | 54548-2129        | 21     |
|               | 10.65 | 14.0 | 9.5  | 15.2       | 54548-2071                     | 54548-2029        | 20     |
|               | 10.15 | 13.5 | 9.0  | 14.7       | 54548-1971                     | 54548-1929        | 19     |
|               | 9.65  | 13.0 | 8.5  | 14.2       | 54548-1871                     | 54548-1829        | 18     |
|               | 9.15  | 12.5 | 8.0  | 13.7       | 54548-1771                     | 54548-1729        | 17     |
|               | 8.65  | 12.0 | 7.5  | 13.2       | 54548-1671                     | 54548-1629        | 16     |
|               | 8.15  | 11.5 | 7.0  | 12.7       | 54548-1571                     | 54548-1529        | 15     |
|               | 7.65  | 11.0 | 6.5  | 12.2       | 54548-1471                     | 54548-1429        | 14     |
|               | 7.15  | 10.5 | 6.0  | 11.7       | 54548-1371                     | 54548-1329        | 13     |
| 6.65          | 10.0  | 5.5  | 11.2 | 54548-1271 | 54548-1229                     | 12                |        |
| 6.15          | 9.5   | 5.0  | 10.7 | 54548-1171 | 54548-1129                     | 11                |        |
| 5.65          | 9.0   | 4.5  | 10.2 | 54548-1071 | 54548-1029                     | 10                |        |
| 5.15          | 8.5   | 4.0  | 9.7  | 54548-0971 | 54548-0929                     | 9                 |        |
| 4.65          | 8.0   | 3.5  | 9.2  | 54548-0871 | 54548-0829                     | 8                 |        |
| 4.15          | 7.5   | 3.0  | 8.7  | 54548-0771 | 54548-0729                     | 7                 |        |
| 3.65          | 7.0   | 2.5  | 8.2  | 54548-0671 | 54548-0629                     | 6                 |        |
| 3.15          | 6.5   | 2.0  | 7.7  | 54548-0571 | 54548-0529                     | 5                 |        |
| 2.65          | 6.0   | 1.5  | 7.2  | 54548-0471 | 54548-0429                     | 4                 |        |
| FPC THICKNESS | D     | C    | B    | A          | EMBOSSED TAPE ORDER No. オータ-番別 | 製品番号 MATERIAL No. | 極数 Ck+ |

|  |                                       |       |   |                   |  |                        |
|--|---------------------------------------|-------|---|-------------------|--|------------------------|
| REVISED<br>EC NO: J2008-4048<br>DRWN:WABEI 2008/06/13<br>CHKD:THARUYAMA 2008/06/16<br>APPR:NUKITA 2008/06/16 | GENERAL TOLERANCES (UNLESS SPECIFIED) |       | DIMENSION STYLE<br>MM ONLY  | SCALE<br>10:1     | DESIGN UNITS<br>METRIC   | THIRD ANGLE PROJECTION |
|  | 10 UNDER                              | ±0.2  | DRAWN BY<br>HSHIMABUKURO  | DATE<br>'04/02/10 | TITLE<br>0.5 FPC CONN ZIF HSG<br>ASSY FOR SMT RA BTM CONT<br>-LEAD FREE- |                        |
|  | 10 OVER 30 UNDER                      | ±0.25 | CHECKED BY<br>KTOJO   | DATE<br>'04/02/10 | MOLEX INCORPORATED   |                        |
|  | 30 OVER                               | ±0.3  | APPROVED BY<br>MSASAO   | DATE<br>'04/02/10 | DOCUMENT NO.<br>SD-54548-039   | SHEET NO.<br>1 OF 2    |
|  | ANGULAR ±3°                           |       | MATERIAL NO.<br>SEE TABLE   |                   |  |                        |
| DRAFT WHERE APPLICABLE MUST REMAIN WITHIN DIMENSIONS   |                                       |       | THIS DRAWING CONTAINS INFORMATION THAT IS PROPRIETARY TO MOLEX INCORPORATED AND SHOULD NOT BE USED WITHOUT WRITTEN PERMISSION |                   |  |                        |



適合FPC推奨寸法  
APPLICABLE FPC  
RECOMMENDED DIMENSION  
(仕上がり厚さ:表参照)  
(THICKNESS:SEE CHART)

適合FFC推奨寸法  
APPLICABLE FFC  
RECOMMENDED DIMENSION  
(仕上がり厚さ:表参照)  
(THICKNESS:SEE CHART)

注記 NOTES

- I. 使用材料 MATERIAL
- ハウジング : LCP, UL94V-0
  - アクチュエータ : PPS, UL94V-0
  - ターミナル :リン青銅 (t=0.2)
  - メッキ : 接点部:金メッキ
  - テール部:錫メッキ
  - 金具 :リン青銅、錫メッキ (t=0.2)

- △パターンはくり止め用金具
- △RO.3はFPC導体部にかからないこと
- 7.本製品は54548-\*\*21の鉛フリー(部分金メッキ)品である。
- 8. N: 極数 N: CIRCUIT.

FPC/FFC について:

打ち抜き方向は導体側から補強板側を推奨します。  
導体部については軟銅箔35μmまたは50μmを推奨します。  
ABOUT FPC/FFC  
RECOMMENDED PUNCHER DIRECTION : FROM CONDUCTOR SIDE TO STIFFENER FILM SIDE.  
RECOMMENDED CONDUCTOR SPEC :  
THICKNESS OF SOFT COPPER FOIL : 35 MICROMETER OR 50 MICROMETER.

FPC について:

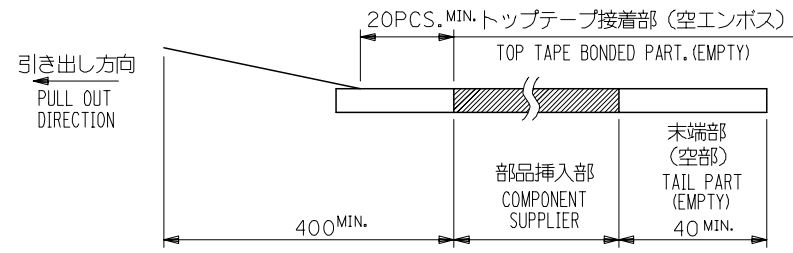
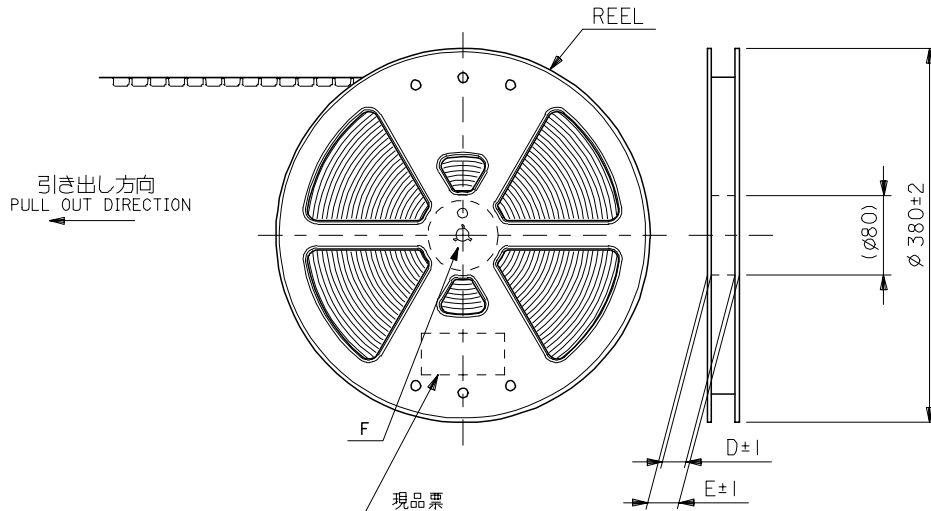
補強フィルム材質はポリイミドを推奨します。ベースフィルムは25μmを推奨します。  
接着剤は熱硬化接着剤を推奨します。  
尚、接着剤の接点部への付着は導通不良の原因になりますので、染み出しが無い様、お願い致します。  
ABOUT FPC  
RECOMMENDED MATERIAL/THICKNESS.  
STIFFENER FILM : POLYIMIDE  
BASE FILM THICKNESS : 25μm  
BONDING AGENT : THERMOSETTING BONDING AGENT  
PLEASE PUT APPROPRIATE AMOUNT OF ADHESIVE ON THE CONTACT AREA BECAUSE THE EXTRA ADHESIVE MAY CAUSE THE DEFECT IN ELECTRICAL CONTINUITY.

2. エンボステップ梱包時は、アクチュエータがロックした状態とする。  
IN THE PACKAGE,ACTUATOR OF PART NO.54548-\*\*29 SHOULD BE LOCKED.
- △ソルダーテール半田付け面のズレ量、及び金具半田付け面のズレ量は、基準面 Z に対し上方向 OMAX.、下方向 O.15MAX.とし  
相互のバラツキ量はO.1MAX.とする。  
MISALIGNMENT OF SOLDER TAILS AND FITTING NAILS FROM Z  
UPPER DIRECTION:0 MAX. , LOWER DIRECTION:0.15 MAX.  
OFFSET BETWEEN UPPER AND LOWER 0.1 MAX.
- △偶数極に適用。  
APPLY FOR EVEN CIRCUIT.

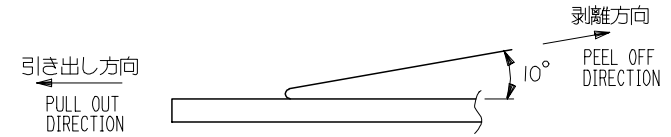
|  |                                       |            |                             |  |  |                        |                         |                        |
|--|---------------------------------------|------------|-----------------------------|--|--|------------------------|-------------------------|------------------------|
| REVISED<br>EC NO: J2008-4048<br>DRWN:WABEI<br>CHKD:THARYAMA<br>APPR:NUKITA | GENERAL TOLERANCES (UNLESS SPECIFIED) |            | DIMENSION STYLE<br>MM ONLY  |  | SCALE<br>---   | DESIGN UNITS<br>METRIC | MODEL No.<br>54548-**29 | THIRD ANGLE PROJECTION |
|  | 10 UNDER                              | ±0.2       | DRAWN BY<br>HSHIMABUKURO    | DATE<br>'04/02/10  | TITLE<br>0.5 FPC CONN ZIF HSG<br>ASSY FOR SMT RA BTM CONT<br>-LEAD FREE- |                        |                         |                        |
|  | 10 OVER 30 UNDER                      | ±0.25      | CHECKED BY<br>KTOJO         | DATE<br>'04/02/10  | APPROVED BY<br>MSASAO  |                        |                         |                        |
|  | 30 OVER                               | ±0.3       | DATE<br>'04/02/10           |  | DOCUMENT NO.<br>SD-54548-039   |                        |                         |                        |
|  | ANGULAR                               | ±3°        | MATERIAL NO.<br>SEE SHEET 1 |  | SHEET NO.<br>2 OF 2  |                        |                         |                        |
| DRAFT WHERE APPLICABLE<br>MUST REMAIN<br>WITHIN DIMENSIONS                 |                                       | SIZE<br>A3 |                             | THIS DRAWING CONTAINS INFORMATION THAT IS PROPRIETARY TO MOLEX<br>INCORPORATED AND SHOULD NOT BE USED WITHOUT WRITTEN PERMISSION |  |                        |                         |                        |

NOTES

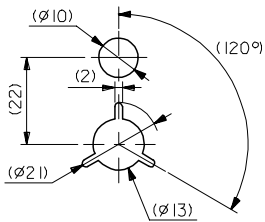
- 製品詳細寸法については図面 SD-54548-039 を参照下さい。  
RE DETAILED DIMENSION, SEE SD-54548-039
- 梱包数量：3000個/リール  
NUMBER OF CONNECTORS : 3000PCS/REEL
- リードテープ長さ LEAD TAPE LENGTH



- トップテープの剥離強度：0.1N ~ 1.3N(10gf ~ 130gf)  
(剥離方向は下図参照)  
尚、本規格値は出荷時に適用。(但し、輸送時に剥離が発生しないこと。)  
PEELING OFF FORCE OF TOP TAPE : 0.1N ~ 1.3N(10gf ~ 130gf)  
(PEELING DIRECTION AS SHOWN IN FOLLOWING FIG.)  
THIS REQUIREMENT SHOULD BE APPLIED AT SHIPMENT.  
PEEL OFF SHOULD NOT BE ALLOWED , DURING TRANSPORTATION.



- 材料(MATERIAL)  
キャリアテープ(CARRIER TAPE)：ポリプロピレン(POLYPROPYLENE)  
トップテープ(TOPTAPE)：PET, PE, PEF  
リール(REEL)：ポリスチレン(P.S) <リサイクル材を含む>  
POLYSTYRENE(PS) <RECYCLE MATERIAL CONTAINED>
- 本製品は 54548-\*\*91 の鉛フリー(部分金メッキ)品である。  
THIS PRODUCT IS LEAD FREE OF 54548-\*\*91 (SELECTIVE GOLD).



DETAIL F

|  |  |  |   |                           |  |                                      |  |
|--|--|--|---|---------------------------|--|--------------------------------------|--|
| REVISED<br>EC NO: J2006-3468<br>DRAWN: HSHIMABUKURO 2006/05/17<br>CHECKED: KTOJO 2006/05/19<br>APPR: MSASAO 2006/05/25 | GENERAL TOLERANCES (UNLESS SPECIFIED)  |  | DIMENSION STYLE<br>MM ONLY              |                           | SCALE<br>---   | 54548-**71<br>DESIGN UNITS<br>METRIC | MODEL No.<br>THIRD ANGLE<br>PROJECTION |
|  | 10 UNDER   | ±0.2   | DRAWN BY DATE<br>HSHIMABUKURO '04/02/10 |                           | TITLE<br>0.5 FPC CONN ZIF HSG<br>ASSY RA BOTTOM CONTACT<br>-LEAD FREE- |                                      |  |
|  | 10 OVER 30 UNDER   | ±0.25  | CHECKED BY DATE<br>KTOJO '04/02/10      |                           | MOLEX INCORPORATED   |                                      |  |
|  | 30 OVER  | ±0.3   | APPROVED BY DATE<br>MSASAO '04/02/10    |                           | DOCUMENT NO.<br>SD-54548-040   |                                      |  |
|  | ANGULAR ±3 °   | DRAFT WHERE APPLICABLE<br>MUST REMAIN<br>WITHIN DIMENSIONS |   | MATERIAL NO.<br>SEE CHART |  | SHEET NO.<br>1 OF 4                  |  |
| J  | THIS DRAWING CONTAINS INFORMATION THAT IS PROPRIETARY TO MOLEX<br>INCORPORATED AND SHOULD NOT BE USED WITHOUT WRITTEN PERMISSION |  |   |                           |  |                                      |  |

10 9 8 7 6 5 4 3 2 1

F

E

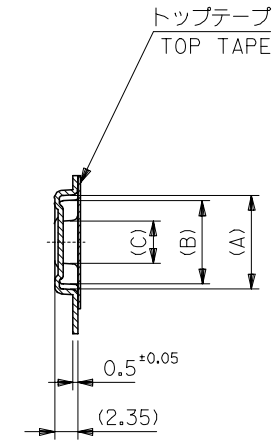
D

C

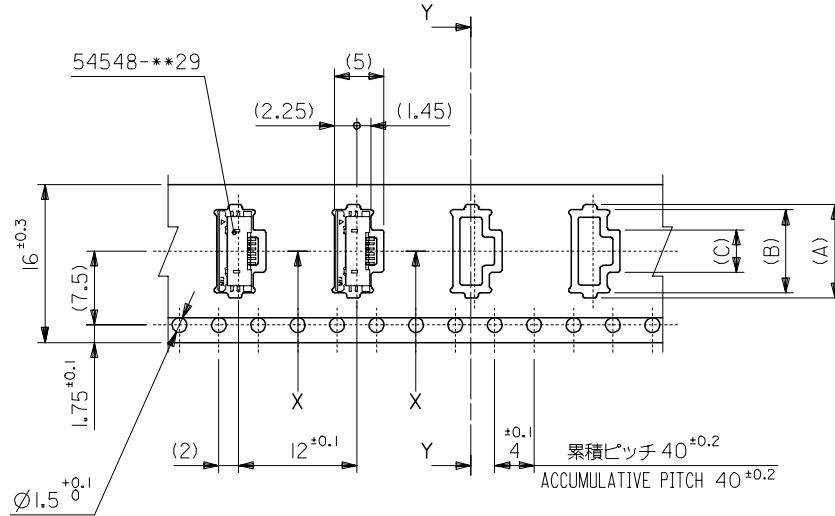
B

A

引き出し方向  
PULL OUT DIRECTION



SECT. Y-Y



SECT. X-X

16mm幅キャリアテープ  
16mm WIDTH CARRIER TAPE

|                                |      |      |     |     |     |                      |           |
|--------------------------------|------|------|-----|-----|-----|----------------------|-----------|
| 16                             | 21.4 | 17.4 | 4.3 | 8.4 | 9.5 | 54548-0671           | 6         |
|                                |      |      | 3.8 | 7.9 | 9.0 | 54548-0571           | 5         |
|                                |      |      | 3.3 | 7.4 | 8.5 | 54548-0471           | 4         |
| キャリアテープ幅<br>CARRIER TAPE WIDTH |      |      | E   | D   | (C) | (B)                  | (A)       |
|                                |      |      |     |     |     | 製品番号<br>MATERIAL No. | 極数<br>Ck+ |

|  |                                       |           |                            |                   |  |                        |                        |
|--|---------------------------------------|-----------|----------------------------|-------------------|--|------------------------|------------------------|
| REVISED<br>EC NO: J2006-3468<br>DRW: MNABEI 2006/05/17<br>CHK: KTOYODA 2006/05/19<br>APPR: NUKITA 2006/05/25 | GENERAL TOLERANCES (UNLESS SPECIFIED) |           | DIMENSION STYLE<br>MM ONLY |                   | SCALE<br>---   | DESIGN UNITS<br>METRIC | THIRD ANGLE PROJECTION |
|  | 10 UNDER                              | ± 0.2     | DRAWN BY<br>HSHIMABUKURO   | DATE<br>'04/02/10 | TITLE<br>0.5 FPC CONN ZIF HSG<br>ASSY RA BOTTOM CONTACT<br>-LEAD FREE-<br>MOLEX INCORPORATED |                        |                        |
|  | 10 OVER 30 UNDER                      | ± 0.25    | CHECKED BY<br>KTOJO        | DATE<br>'04/02/10 |  |                        |                        |
|  | 30 OVER                               | ± 0.3     | APPROVED BY<br>MSASAO      | DATE<br>'04/02/10 |  |                        |                        |
|  | ANGULAR ± 3 °                         |           | MATERIAL NO.               |                   | DOCUMENT NO.   |                        | SHEET NO.              |
| DRAFT WHERE APPLICABLE MUST REMAIN WITHIN DIMENSIONS   |                                       | SEE CHART |                            | SD-54548-040      |  | 2 OF 4                 |                        |

9

8

7

6

5

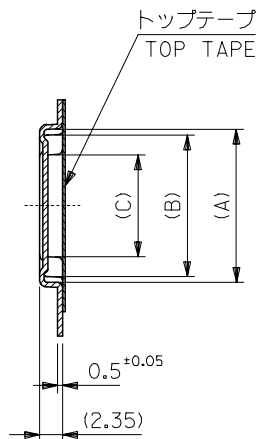
4

3

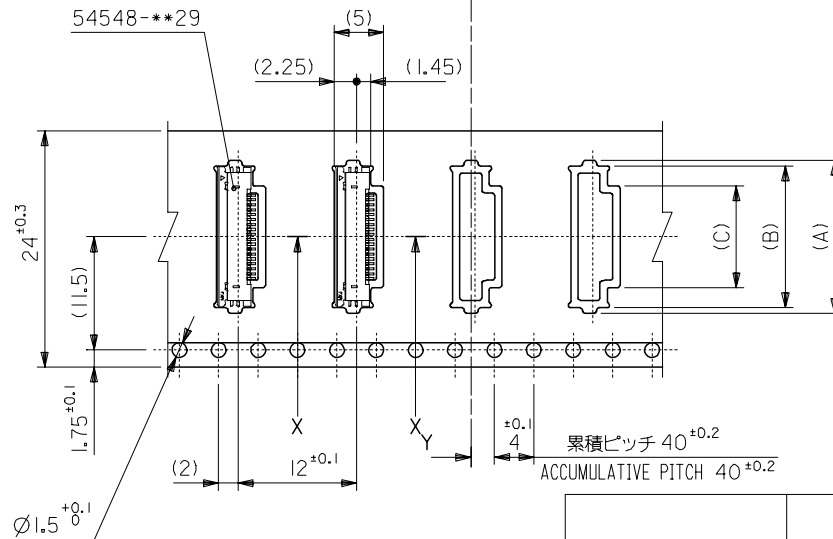
2

10 9 8 7 6 5 4 3 2 1

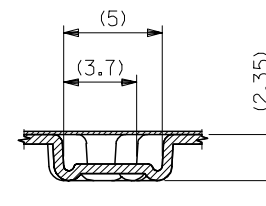
引き出し方向  
PULL OUT DIRECTION



SECT. Y-Y



24mm幅キャリアテープ  
24mm WIDTH CARRIER TAPE



SECT. X-X

累積ピッチ 40<sup>+0.2</sup>  
ACCUMULATIVE PITCH 40<sup>+0.2</sup>

|                                |      |      |            |      |      |                      |           |
|--------------------------------|------|------|------------|------|------|----------------------|-----------|
| 24                             | 29.4 | 25.4 | 12.3       | 16.4 | 17.5 | 54548-2271           | 22        |
|                                |      |      | 11.8       | 15.9 | 17.0 | 54548-2171           | 21        |
|                                |      |      | 11.3       | 15.4 | 16.5 | 54548-2071           | 20        |
|                                |      |      | 10.8       | 14.9 | 16.0 | 54548-1971           | 19        |
|                                |      |      | 10.3       | 14.4 | 15.5 | 54548-1871           | 18        |
|                                |      |      | 9.8        | 13.9 | 15.0 | 54548-1771           | 17        |
|                                |      |      | 9.3        | 13.4 | 14.5 | 54548-1671           | 16        |
|                                |      |      | 8.8        | 12.9 | 14.0 | 54548-1571           | 15        |
|                                |      |      | 8.3        | 12.4 | 13.5 | 54548-1471           | 14        |
|                                |      |      | 7.8        | 11.9 | 13.0 | 54548-1371           | 13        |
|                                |      |      | 7.3        | 11.4 | 12.5 | 54548-1271           | 12        |
|                                |      |      | 6.8        | 10.9 | 12.0 | 54548-1171           | 11        |
|                                |      |      | 6.3        | 10.4 | 11.5 | 54548-1071           | 10        |
|                                |      |      | 5.8        | 9.9  | 11.0 | 54548-0971           | 9         |
| 5.3                            | 9.4  | 10.5 | 54548-0871 | 8    |      |                      |           |
| 4.8                            | 8.9  | 10.0 | 54548-0771 | 7    |      |                      |           |
| キャリアテープ幅<br>CARRIER TAPE WIDTH | E    | D    | (C)        | (B)  | (A)  | 製品番号<br>MATERIAL No. | 極数<br>Ck+ |

|   |                                       |            |                            |  |  |                        |                        |
|---|---------------------------------------|------------|----------------------------|--|--|------------------------|------------------------|
| REVISED<br>EC NO: J2006-3468<br>DRW: MABEI 2006/05/17<br>CHK: KTOYODA 2006/05/19<br>APPR: NUKITA 2006/05/25 | GENERAL TOLERANCES (UNLESS SPECIFIED) |            | DIMENSION STYLE<br>MM ONLY |  | SCALE<br>---   | DESIGN UNITS<br>METRIC | THIRD ANGLE PROJECTION |
|   | 10 UNDER                              | ±0.2       | DRAWN BY<br>HSHIMABUKURO   | DATE<br>'04/02/10  | TITLE<br>0.5 FPC CONN ZIF HSG<br>ASSY RA BOTTOM CONTACT<br>-LEAD FREE- |                        |                        |
|   | 10 OVER 30 UNDER                      | ±0.25      | CHECKED BY<br>KTOJO        | DATE<br>'04/02/10  | MOLEX INCORPORATED   |                        |                        |
|   | 30 OVER                               | ±0.3       | APPROVED BY<br>MSASAO      | DATE<br>'04/02/10  | DOCUMENT NO.<br>SD-54548-040   |                        |                        |
|   | ANGULAR                               | ±3 °       | MATERIAL NO.<br>SEE CHART  |  | SHEET NO.<br>3 OF 4  |                        |                        |
| DRAFT WHERE APPLICABLE<br>MUST REMAIN<br>WITHIN DIMENSIONS  |                                       | SIZE<br>A3 |                            | THIS DRAWING CONTAINS INFORMATION THAT IS PROPRIETARY TO MOLEX<br>INCORPORATED AND SHOULD NOT BE USED WITHOUT WRITTEN PERMISSION |  |                        |                        |

10 9 8 7 6 5 4 3 2 1

F

E

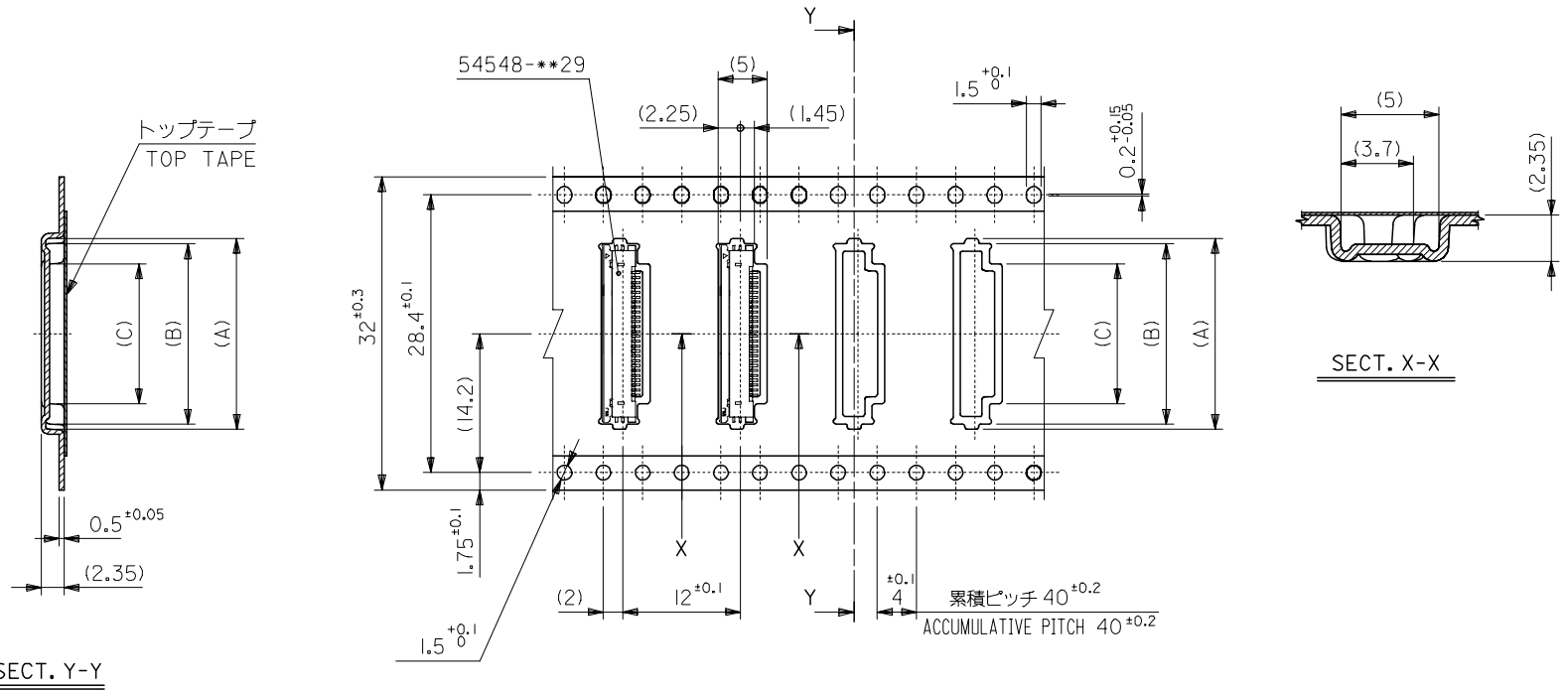
D

C

B

A

引き出し方向  
PULL OUT DIRECTION



32mm幅キャリアテープ  
32mm WIDTH CARRIER TAPE

|                                |      |      |      |      |      |                      |           |
|--------------------------------|------|------|------|------|------|----------------------|-----------|
| 32                             | 37.4 | 33.4 | 14.3 | 18.4 | 19.5 | 54548-2671           | 26        |
|                                |      |      | 13.3 | 17.4 | 18.5 | 54548-2471           | 24        |
|                                |      |      | 12.8 | 16.9 | 18.0 | 54548-2371           | 23        |
| キャリアテープ幅<br>CARRIER TAPE WIDTH | E    | D    | (C)  | (B)  | (A)  | 製品番号<br>MATERIAL No. | 極数<br>Ck+ |

|   |                                       |            |                            |                   |  |                        |                        |
|---|---------------------------------------|------------|----------------------------|-------------------|--|------------------------|------------------------|
| REVISED<br>EC NO: J2006-3468<br>DRWN: NABEI 2006/05/17<br>CHKD: KTOYODA 2006/05/19<br>APPR: NUKITA 2006/05/25 | GENERAL TOLERANCES (UNLESS SPECIFIED) |            | DIMENSION STYLE<br>MM ONLY |                   | SCALE<br>---   | DESIGN UNITS<br>METRIC | THIRD ANGLE PROJECTION |
|   | 10 UNDER                              | ±0.2       | DRAWN BY<br>HSHIMABUKURO   | DATE<br>'04/02/10 | TITLE<br>0.5 FPC CONN ZIF HSG<br>ASSY RA BOTTOM CONTACT<br>-LEAD FREE-   |                        |                        |
|   | 10 OVER 30 UNDER                      | ±0.25      | CHECKED BY<br>KTOJO        | DATE<br>'04/02/10 | MOLEX INCORPORATED   |                        |                        |
|   | 30 OVER                               | ±0.3       | APPROVED BY<br>MSASAO      | DATE<br>'04/02/10 | DOCUMENT NO.<br>SD-54548-040   |                        |                        |
|   | ANGULAR                               | ±3 °       | MATERIAL NO.<br>SEE CHART  |                   | SHEET NO.<br>4 OF 4  |                        |                        |
| DRAFT WHERE APPLICABLE<br>MUST REMAIN<br>WITHIN DIMENSIONS  |                                       | SIZE<br>A3 |                            |                   | THIS DRAWING CONTAINS INFORMATION THAT IS PROPRIETARY TO MOLEX<br>INCORPORATED AND SHOULD NOT BE USED WITHOUT WRITTEN PERMISSION |                        |                        |

9

8

7

6

5

4

3

2



Компания «ЭлектроПласт» предлагает заключение долгосрочных отношений при поставках импортных электронных компонентов на взаимовыгодных условиях!

Наши преимущества:

- Оперативные поставки широкого спектра электронных компонентов отечественного и импортного производства напрямую от производителей и с крупнейших мировых складов;
- Поставка более 17-ти миллионов наименований электронных компонентов;
- Поставка сложных, дефицитных, либо снятых с производства позиций;
- Оперативные сроки поставки под заказ (от 5 рабочих дней);
- Экспресс доставка в любую точку России;
- Техническая поддержка проекта, помощь в подборе аналогов, поставка прототипов;
- Система менеджмента качества сертифицирована по Международному стандарту ISO 9001;
- Лицензия ФСБ на осуществление работ с использованием сведений, составляющих государственную тайну;
- Поставка специализированных компонентов (Xilinx, Altera, Analog Devices, Intersil, Interpoint, Microsemi, Aeroflex, Peregrine, Syfer, Eurofarad, Texas Instrument, Miteq, Cobham, E2V, MA-COM, Hittite, Mini-Circuits, General Dynamics и др.);

Помимо этого, одним из направлений компании «ЭлектроПласт» является направление «Источники питания». Мы предлагаем Вам помощь Конструкторского отдела:

- Подбор оптимального решения, техническое обоснование при выборе компонента;
- Подбор аналогов;
- Консультации по применению компонента;
- Поставка образцов и прототипов;
- Техническая поддержка проекта;
- Защита от снятия компонента с производства.



#### Как с нами связаться

**Телефон:** 8 (812) 309 58 32 (многоканальный)

**Факс:** 8 (812) 320-02-42

**Электронная почта:** [org@eplast1.ru](mailto:org@eplast1.ru)

**Адрес:** 198099, г. Санкт-Петербург, ул. Калинина, дом 2, корпус 4, литера А.