

# Z86E04/E08

## CMOS Z8 OTP MICROCONTROLLERS

### PRODUCT DEVICES

Part Number	Oscillator Type	Operating $V_{CC}$	Operating Temperature	ROM (KB)	Package
Z86E0412PEC	Crystal	4.5V-5.5V	-40°C/105°C	1	18-Pin DIP
Z86E0412PSC1866	Crystal	4.5V-5.5V	0°C/70°C	1	18-Pin DIP
Z86E0412PSC1903	RC	4.5V-5.5V	0°C/70°C	1	18-Pin DIP
Z86E0412PEC1903	RC	4.5V-5.5V	-40°C/105°C	1	18-Pin DIP
Z86E0412SEC	Crystal	4.5V-5.5V	-40°C/105°C	1	18-Pin SOIC
Z86E0412SSC1866	Crystal	4.5V-5.5V	0°C/70°C	1	18-Pin SOIC
Z86E0412SSC1903	RC	4.5V-5.5V	0°C/70°C	1	18-Pin SOIC
Z86E0412SEC1903	RC	4.5V-5.5V	-40°C/105°C	1	18-Pin SOIC
Z86E0812PEC	Crystal	4.5V-5.5V	-40°C/105°C	2	18-Pin DIP
Z86E0812PSC1866	Crystal	4.5V-5.5V	0°C/70°C	2	18-Pin DIP
Z86E0812PSC1903	RC	4.5V-5.5V	0°C/70°C	2	18-Pin DIP
Z86E0812PEC1903	RC	4.5V-5.5V	-40°C/105°C	2	18-Pin DIP
Z86E0812SEC	Crystal	4.5V-5.5V	-40°C/105°C	2	18-Pin SOIC
Z86E0812SSC1866	Crystal	4.5V-5.5V	0°C/70°C	2	18-Pin SOIC
Z86E0812SSC1903	RC	4.5V-5.5V	0°C/70°C	2	18-Pin SOIC
Z86E0812SEC1903	RC	4.5V-5.5V	-40°C/105°C	2	18-Pin SOIC

Several key product features of the extensive family of Zilog Z86E04/E08 CMOS OTP microcontrollers are presented in the above table. This table enables the user to identify which of the E04/E08 product variants most closely match the user's application requirements.

## FEATURES

- 14 Input/Output Lines
- Six Vectored, Prioritized Interrupts (3 falling edge, 1 rising edge, 2 timers)
- Two Analog Comparators
- Program Options:
  - Low Noise
  - ROM Protect
  - Auto Latch
  - Watch-Dog Timer (WDT)
  - EPROM/Test Mode Disable
- Two Programmable 8-Bit Counter/Timers, Each with 6-Bit Programmable Prescaler
- WDT/ Power-On Reset (POR)
- On-Chip Oscillator that Accepts XTAL, Ceramic Resonance, LC, RC, or External Clock
- Clock-Free WDT Reset
- Low-Power Consumption (50 mw typical)
- Fast Instruction Pointer (1 $\mu$ s @ 12 MHz)
- RAM Bytes (125)

## GENERAL DESCRIPTION

Zilog's Z86E04/E08 Microcontrollers (MCU) are One-Time Programmable (OTP) members of Zilog's single-chip Z8<sup>®</sup> MCU family that allow easy software development, debug, prototyping, and small production runs not economically desirable with masked ROM versions.

For applications demanding powerful I/O capabilities, the Z86E04/E08's dedicated input and output lines are grouped into three ports, and are configurable under software control to provide timing, status signals, or parallel I/O.

Two on-chip counter/timers, with a large number of user selectable modes, offload the system of administering real-time tasks such as counting/timing and I/O data communications.

**Note:** All signals with an overline, " $\bar{\phantom{x}}$ ", are active Low, for example:  $\overline{B/W}$  (WORD is active Low);  $\overline{B}/W$  (BYTE is active Low, only).

Power connections follow conventional descriptions below:

Connection	Circuit	Device
Power	V <sub>CC</sub>	V <sub>DD</sub>
Ground	GND	V <sub>SS</sub>

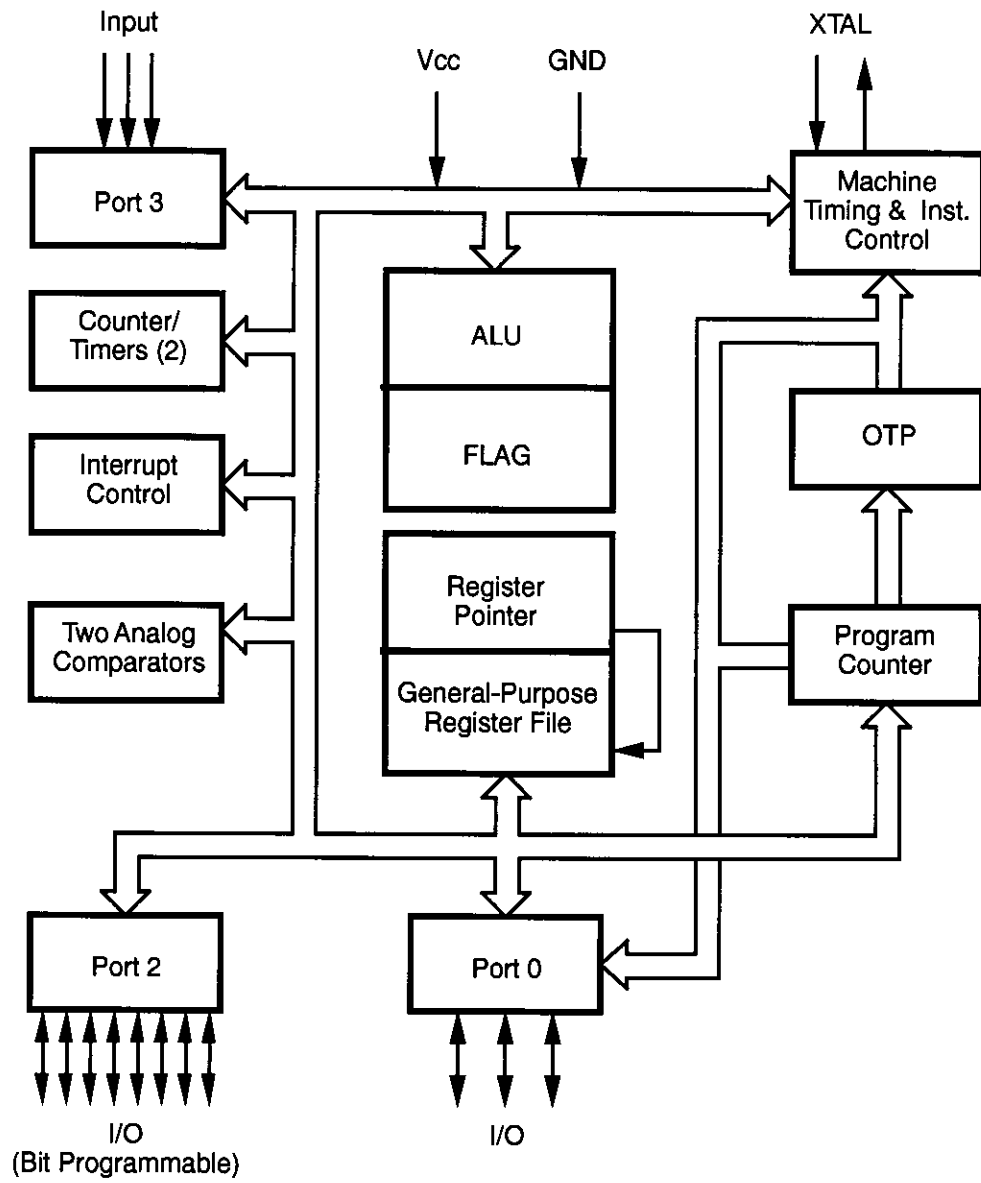


Figure 1. Functional Block Diagram

GENERAL DESCRIPTION (Continued)

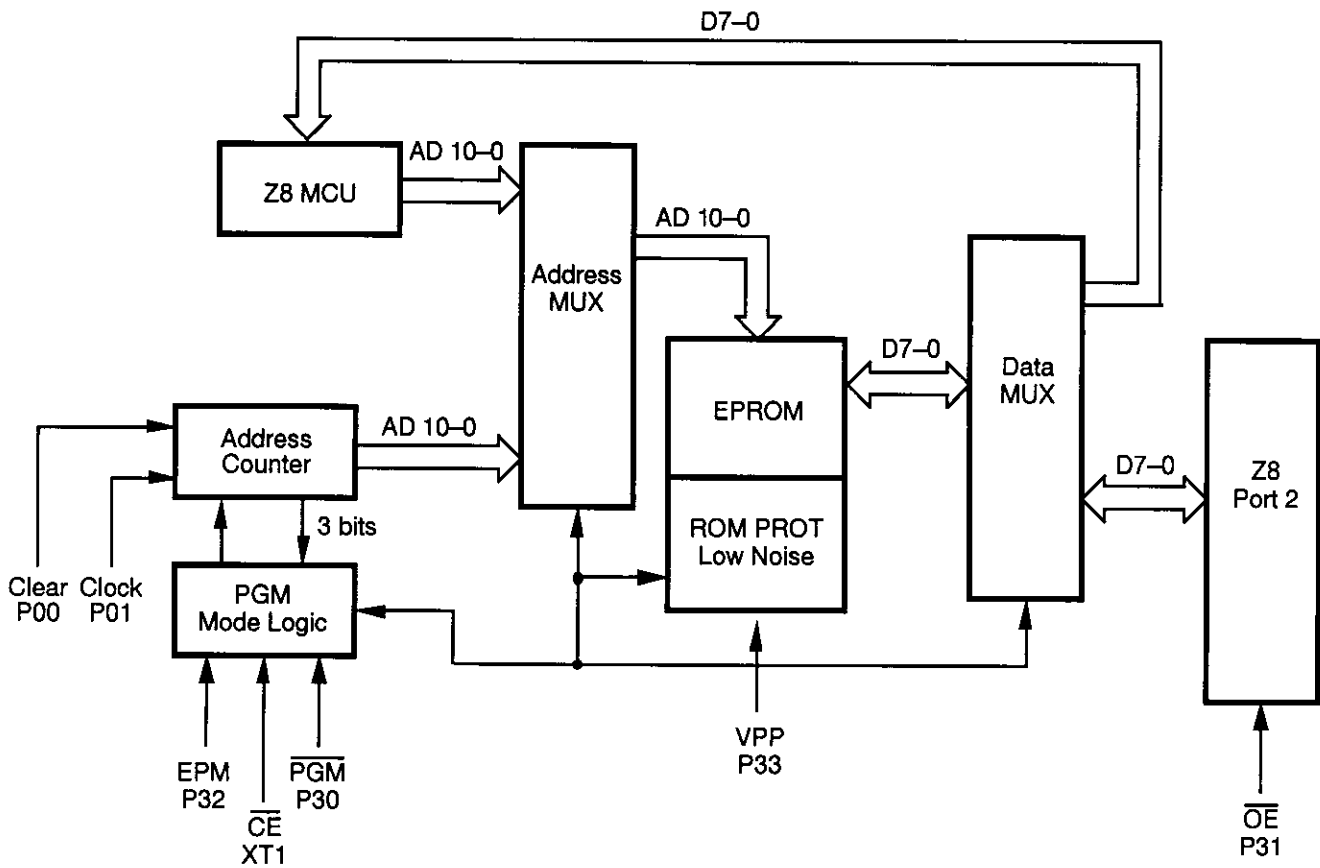


Figure 2. EPROM Programming Mode Block Diagram

## PIN DESCRIPTION

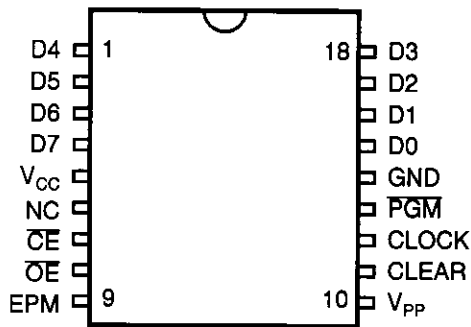


Figure 3. 18-Pin EPROM Mode Configuration

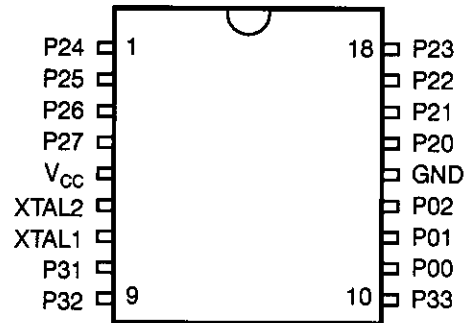


Figure 4. 18-Pin DIP/SOIC Mode Configuration

Table 1. 18-Pin DIP Pin Identification

EPROM Programming Mode			
Pin #	Symbol	Function	Direction
1-4	D4-D7	Data 4, 5, 6, 7	In/Output
5	V <sub>CC</sub>	Power Supply	
6	NC	No Connection	
7	CE	Chip Enable	Input
8	OE	Output Enable	Input
9	EPM	EPROM Prog Mode	Input
10	V <sub>PP</sub>	Prog Voltage	Input
11	Clear	Clear Clock	Input
12	Clock	Address	Input
13	PGM	Prog Mode	Input
14	GND	Ground	
15-18	D0-D3	Data 0,1, 2, 3	In/Output

Table 2. 18-Pin DIP/SOIC Pin Identification

Standard Mode			
Pin #	Symbol	Function	Direction
1-4	P24-P27	Port 2, Pins 4,5,6,7	In/Output
5	V <sub>CC</sub>	Power Supply	
6	XTAL2	Crystal Osc. Clock	Output
7	XTAL1	Crystal Osc. Clock	Input
8	P31	Port 3, Pin 1, AN1	Input
9	P32	Port 3, Pin 2, AN2	Input
10	P33	Port 3, Pin 3, REF	Input
11-13	P00-P02	Port 0, Pins 0,1,2	In/Output
14	GND	Ground	
15-18	P20-P23	Port 2, Pins 0,1,2,3	In/Output

**ABSOLUTE MAXIMUM RATINGS**

Stresses greater than those listed under Absolute Maximum Ratings may cause permanent damage to the device. This is a stress rating only; functional operation of the device at any condition above those indicated in the operational sections of these specifications is not implied. Exposure to absolute maximum rating conditions for an extended period may affect device reliability. Total power

dissipation should not exceed 462 mW for the package. Power dissipation is calculated as follows:

$$\begin{aligned} \text{Total Power Dissipation} = & V_{DD} \times [I_{DD} - (\text{sum of } I_{OH})] \\ & + \text{sum of } [(V_{DD} - V_{OH}) \times I_{OH}] \\ & + \text{sum of } (V_{OL} \times I_{OL}) \end{aligned}$$

Parameter	Min	Max	Units	Note
Ambient Temperature under Bias	-40	+105	C	
Storage Temperature	-65	+150	C	
Voltage on any Pin with Respect to $V_{SS}$	-0.7	+12	V	1
Voltage on $V_{DD}$ Pin with Respect to $V_{SS}$	-0.3	+7	V	
Voltage on Pins 7, 8, 9, 10 with Respect to $V_{SS}$	-0.6	$V_{DD}+1$	V	2
Total Power Dissipation		1.65	W	
Maximum Allowable Current out of $V_{SS}$		300	mA	
Maximum Allowable Current into $V_{DD}$		220	mA	
Maximum Allowable Current into an Input Pin	-600	+600	$\mu$ A	3
Maximum Allowable Current into an Open-Drain Pin	-600	+600	$\mu$ A	4
Maximum Allowable Output Current Sunked by Any I/O Pin		25	mA	
Maximum Allowable Output Current Sourced by Any I/O Pin		25	mA	
Total Maximum Output Current Sunked by a Port		60	mA	
Total Maximum Output Current Sourced by a Port		45	mA	

**Notes:**

1. This applies to all pins except where otherwise noted. Maximum current into pin must be  $\pm 600 \mu$ A.
2. There is no input protection diode from pin to  $V_{DD}$  (not applicable to EPROM Mode).
3. This excludes Pin 6 and Pin 7.
4. Device pin is not at an output Low state.

**STANDARD TEST CONDITIONS**

The characteristics listed below apply for standard test conditions as noted. All voltages are referenced to Ground. Positive current flows into the referenced pin (Figure 5).

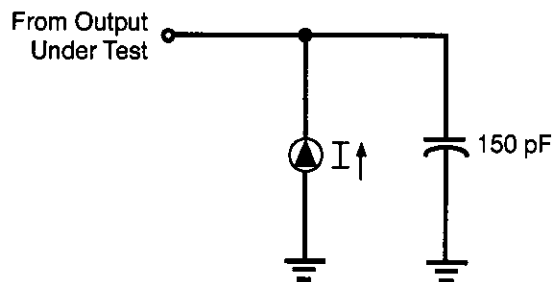


Figure 5. Test Load Diagram

**CAPACITANCE**

$T_A = 25^\circ\text{C}$ ,  $V_{CC} = \text{GND} = 0\text{V}$ ,  $f = 1.0\text{ MHz}$ , unmeasured pins returned to GND.

Parameter	Min	Max
Input capacitance	0	10 pF
Output capacitance	0	20 pF
I/O capacitance	0	25 pF

**DC ELECTRICAL CHARACTERISTICS**

Standard Temperature

Sym	Parameter	V <sub>CC</sub> [4]	T <sub>A</sub> = 0°C to +70°C		Typical @ 25°C	Units	Conditions	Notes
			Min	Max				
V <sub>INMAX</sub>	Max Input Voltage	4.5V		12		V	I <sub>in</sub> < 250 μA	1
		5.5V		12		V	I <sub>in</sub> < 250 μA	1
V <sub>CH</sub>	Clock Input High Voltage	4.5V	0.8 V <sub>CC</sub>	V <sub>CC</sub> +0.3	2.8	V	Driven by External Clock Generator	
		5.5V	0.8 V <sub>CC</sub>	V <sub>CC</sub> +0.3	2.8	V	Driven by External Clock Generator	
V <sub>CL</sub>	Clock Input Low Voltage	4.5V	V <sub>SS</sub> -0.3	0.2 V <sub>CC</sub>	1.7	V	Driven by External Clock Generator	
		5.5V	V <sub>SS</sub> -0.3	0.2 V <sub>CC</sub>	1.7	V	Driven by External Clock Generator	
V <sub>IH</sub>	Input High Voltage	4.5V	0.7 V <sub>CC</sub>	V <sub>CC</sub> +0.3	2.8	V		
		5.5V	0.7 V <sub>CC</sub>	V <sub>CC</sub> +0.3	2.8	V		
V <sub>IL</sub>	Input Low Voltage	4.5V	V <sub>SS</sub> -0.3	0.2 V <sub>CC</sub>	1.5	V		
		5.5V	V <sub>SS</sub> -0.3	0.2 V <sub>CC</sub>	1.5	V		
V <sub>OH</sub>	Output High Voltage	4.5V	V <sub>CC</sub> -0.4		4.8	V	I <sub>OH</sub> = -2.0 mA	5
		5.5V	V <sub>CC</sub> -0.4		4.8	V	I <sub>OH</sub> = -2.0 mA	5
		4.5V	V <sub>CC</sub> -0.4		4.8	V	Low Noise @ I <sub>OH</sub> = -0.5 mA	
		5.5V	V <sub>CC</sub> -0.4		4.8	V	Low Noise @ I <sub>OH</sub> = -0.5 mA	
V <sub>OL1</sub>	Output Low Voltage	4.5V		0.8	0.1	V	I <sub>OL</sub> = +4.0 mA	5
		5.5V		0.4	0.1	V	I <sub>OL</sub> = +4.0 mA	5
		4.5V		0.4	0.1	V	Low Noise @ I <sub>OL</sub> = 1.0 mA	
		5.5V		0.4	0.1	V	Low Noise @ I <sub>OL</sub> = 1.0 mA	
V <sub>OL2</sub>	Output Low Voltage	4.5V		0.8	0.8	V	I <sub>OL</sub> = +12 mA,	5
		5.5V		0.8	0.8	V	I <sub>OL</sub> = +12 mA,	5
V <sub>OFFSET</sub>	Comparator Input Offset Voltage	4.5V		25.0	10.0	mV		
		5.5V		25.0	10.0	mV		
V <sub>LV</sub>	V <sub>CC</sub> Low Voltage Auto Reset		2.2	3.0	2.8	V	@ 6 MHz Max. Int. CLK Freq.	
I <sub>IL</sub>	Input Leakage (Input Bias Current of Comparator)	4.5V	-1.0	1.0		μA	V <sub>IN</sub> = 0V, V <sub>CC</sub>	
		5.5V	-1.0	1.0		μA	V <sub>IN</sub> = 0V, V <sub>CC</sub>	
I <sub>OL</sub>	Output Leakage	4.5V	-1.0	1.0		μA	V <sub>IN</sub> = 0V, V <sub>CC</sub>	
		5.5V	-1.0	1.0		μA	V <sub>IN</sub> = 0V, V <sub>CC</sub>	
V <sub>ICR</sub>	Comparator Input Common Mode Voltage Range		0	V <sub>CC</sub> -1.0		V		



Sym	Parameter	V <sub>CC</sub> [4]	T <sub>A</sub> = 0°C to +70°C Typical		Units	Conditions	Notes	
			Min	Max @ 25°C				
I <sub>CC</sub>	Supply Current	4.5V		11.0	6.8	mA	All Output and I/O Pins Floating @ 2 MHz	5,7
		5.5V		11.0	6.8	mA	All Output and I/O Pins Floating @ 2 MHz	5,7
		4.5V		15.0	8.2	mA	All Output and I/O Pins Floating @ 8 MHz	5,7
		5.5V		15.0	8.2	mA	All Output and I/O Pins Floating @ 8 MHz	5,7
		4.5V		20.0	12.0	mA	All Output and I/O Pins Floating @ 12 MHz	5,7
		5.5V		20.0	12.0	mA	All Output and I/O Pins Floating @ 12 MHz	5,7
I <sub>CC1</sub>	Standby Current	4.5V		4.0	2.5	mA	HALT Mode V <sub>IN</sub> = 0V, V <sub>CC</sub> @ 2 MHz	5,7
		5.5V		4.0	2.5	mA	HALT Mode V <sub>IN</sub> = 0V, V <sub>CC</sub> @ 2 MHz	5,7
		4.5V		5.0	3.0	mA	HALT Mode V <sub>IN</sub> = 0V, V <sub>CC</sub> @ 8 MHz	5,7
		5.5V		5.0	3.0	mA	HALT Mode V <sub>IN</sub> = 0V, V <sub>CC</sub> @ 8 MHz	5,7
		4.5V		7.0	4.0	mA	HALT Mode V <sub>IN</sub> = 0V, V <sub>CC</sub> @ 12 MHz	5,7
		5.5V		7.0	4.0	mA	HALT Mode V <sub>IN</sub> = 0V, V <sub>CC</sub> @ 12 MHz	5,7
I <sub>CC</sub>	Supply Current (Low Noise Mode)	4.5V		11.0	6.8	mA	All Output and I/O Pins Floating @ 1 MHz	7
		5.5V		11.0	6.8	mA	All Output and I/O Pins Floating @ 1 MHz	7
		4.5V		13.0	7.5	mA	All Output and I/O Pins Floating @ 2 MHz	7
		5.5V		13.0	7.5	mA	All Output and I/O Pins Floating @ 2 MHz	7
		4.5V		15.0	8.2	mA	All Output and I/O Pins Floating @ 4 MHz	7
		5.5V		15.0	8.2	mA	All Output and I/O Pins Floating @ 4 MHz	7

DC ELECTRICAL CHARACTERISTICS (Continued)

Sym	Parameter	V <sub>CC</sub> [4]	T <sub>A</sub> = 0°C to +70°C		Typical @ 25°C	Units	Conditions	Notes
			Min	Max				
I <sub>CC1</sub>	Standby Current (Low Noise Mode)	4.5V	4.0	2.5	mA	HALT Mode V <sub>IN</sub> = 0V, V <sub>CC</sub> @ 1 MHz	7	
		5.5V	4.0	2.5	mA	HALT Mode V <sub>IN</sub> = 0V, V <sub>CC</sub> @ 1 MHz	7	
		4.5V	4.5	2.8	mA	HALT Mode V <sub>IN</sub> = 0V, V <sub>CC</sub> @ 2 MHz	7	
		5.5V	4.5	2.8	mA	HALT Mode V <sub>IN</sub> = 0V, V <sub>CC</sub> @ 2 MHz	7	
		4.5V	5.0	3.0	mA	HALT Mode V <sub>IN</sub> = 0V, V <sub>CC</sub> @ 4 MHz	7	
		5.5V	5.0	3.0	mA	HALT Mode V <sub>IN</sub> = 0V, V <sub>CC</sub> @ 4 MHz	7	
I <sub>CC2</sub>	Standby Current	4.5V	10.0	1.0	μA	STOP Mode V <sub>IN</sub> = 0V, V <sub>CC</sub> WDT is not Running	7,8	
		5.5V	10.0	1.0	μA	STOP Mode V <sub>IN</sub> = 0V, V <sub>CC</sub> WDT is not Running	7,8	
I <sub>ALL</sub>	Auto Latch Low Current	4.5V	32.0	16	μA	0V < V <sub>IN</sub> < V <sub>CC</sub>		
		5.5V	32.0	16	μA	0V < V <sub>IN</sub> < V <sub>CC</sub>		
I <sub>ALH</sub>	Auto Latch High Current	4.5V	-16.0	-8.0	μA	0V < V <sub>IN</sub> < V <sub>CC</sub>		
		5.5V	-16.0	-8.0	μA	0V < V <sub>IN</sub> < V <sub>CC</sub>		

Notes:

1. Port 2 and Port 0 only
2. V<sub>SS</sub> = 0V = GND
3. The device operates down to V<sub>LV</sub> of the specified frequency for V<sub>LV</sub>. The minimum operational V<sub>CC</sub> is determined on the value of the voltage V<sub>LV</sub> at the ambient temperature. The V<sub>LV</sub> increases as the temperature decreases.
4. V<sub>CC</sub> = 4.5 to 5.5V, typical values measured at V<sub>CC</sub> = 5.0V.  
The V<sub>CC</sub> voltage specification of 5.5 V guarantees 5.0 V ± 0.5V with typical values measured at V<sub>CC</sub> = 5.0V.
5. Standard Mode (not Low EMI Mode)
6. Z86E08 only
7. All outputs unloaded and all inputs are at V<sub>CC</sub> or V<sub>SS</sub> level.
8. If analog comparator is selected, then the comparator inputs must be at V<sub>CC</sub> level.

## DC ELECTRICAL CHARACTERISTICS

## Extended Temperature

Sym	Parameter	V <sub>CC</sub> [4]	T <sub>A</sub> = -40°C to +105°C		Typical @ 25°C	Units	Conditions	Notes
			Min	Max				
V <sub>INMAX</sub>	Max Input Voltage	4.5V		12.0		V	I <sub>IN</sub> < 250 μA	1
		5.5V		12.0		V	I <sub>IN</sub> < 250 μA	1
V <sub>CH</sub>	Clock Input High Voltage	4.5V	0.8 V <sub>CC</sub>	V <sub>CC</sub> +0.3	2.8	V	Driven by External Clock Generator	
		5.5V	0.8 V <sub>CC</sub>	V <sub>CC</sub> +0.3	2.8	V	Driven by External Clock Generator	
V <sub>CL</sub>	Clock Input Low Voltage	4.5V	V <sub>SS</sub> -0.3	0.2 V <sub>CC</sub>	1.7	V	Driven by External Clock Generator	
		5.5V	V <sub>SS</sub> -0.3	0.2 V <sub>CC</sub>	1.7	V	Driven by External Clock Generator	
V <sub>IH</sub>	Input High Voltage	4.5V	0.7 V <sub>CC</sub>	V <sub>CC</sub> +0.3	2.8	V		
		5.5V	0.7 V <sub>CC</sub>	V <sub>CC</sub> +0.3	2.8	V		
V <sub>IL</sub>	Input Low Voltage	4.5V	V <sub>SS</sub> -0.3	0.2 V <sub>CC</sub>	1.5	V		
		5.5V	V <sub>SS</sub> -0.3	0.2 V <sub>CC</sub>	1.5	V		
V <sub>OH</sub>	Output High Voltage	4.5V	V <sub>CC</sub> -0.4		4.8	V	I <sub>OH</sub> = -2.0 mA	5
		5.5V	V <sub>CC</sub> -0.4		4.8	V	I <sub>OH</sub> = -2.0 mA	5
		4.5V	V <sub>CC</sub> -0.4			V	Low Noise @ I <sub>OH</sub> = -0.5 mA	
		5.5V	V <sub>CC</sub> -0.4			V	Low Noise @ I <sub>OH</sub> = -0.5 mA	
V <sub>OL1</sub>	Output Low Voltage	4.5V		0.4	0.1	V	I <sub>OL</sub> = +4.0 mA	5
		5.5V		0.4	0.1	V	I <sub>OL</sub> = +4.0 mA	5
		4.5V		0.4	0.1	V	Low Noise @ I <sub>OL</sub> = 1.0 mA	
		5.5V		0.4	0.1	V	Low Noise @ I <sub>OL</sub> = 1.0 mA	
V <sub>OL2</sub>	Output Low Voltage	4.5V		1.0	0.3	V	I <sub>OL</sub> = +12 mA,	5
		5.5V		1.0	0.3	V	I <sub>OL</sub> = +12 mA,	5
V <sub>OFFSET</sub>	Comparator Input Offset Voltage	4.5V		25.0	10.0	mV		
		5.5V		25.0	10.0	mV		
V <sub>LV</sub>	V <sub>CC</sub> Low Voltage Auto Reset		1.8	3.8	2.8	V	@ 6 MHz Max. Int. CLK Freq.	3
I <sub>IL</sub>	Input Leakage (Input Bias Current of Comparator)	4.5V		-1.0	1.0	μA	V <sub>IN</sub> = 0V, V <sub>CC</sub>	
		5.5V		-1.0	1.0	μA	V <sub>IN</sub> = 0V, V <sub>CC</sub>	
I <sub>OL</sub>	Output Leakage	4.5V		-1.0	1.0	μA	V <sub>IN</sub> = 0V, V <sub>CC</sub>	
		5.5V		-1.0	1.0	μA	V <sub>IN</sub> = 0V, V <sub>CC</sub>	
V <sub>ICR</sub>	Comparator Input Common Mode Voltage Range		0	V <sub>CC</sub> -1.5		V		

DC ELECTRICAL CHARACTERISTICS (Continued)

Sym	Parameter	V <sub>CC</sub> [4]	T <sub>A</sub> = -40°C to +105°C		Typical @ 25°C	Units	Conditions	Notes
			Min	Max				
I <sub>CC</sub>	Supply Current	4.5V		11.0	6.8	mA	All Output and I/O Pins Floating @ 2 MHz	5,7
		5.5V		11.0	6.8	mA	All Output and I/O Pins Floating @ 2 MHz	5,7
		4.5V		15.0	8.2	mA	All Output and I/O Pins Floating @ 8 MHz	5,7
		5.5V		15.0	8.2	mA	All Output and I/O Pins Floating @ 8 MHz	5,7
		4.5V		20.0	12.0	mA	All Output and I/O Pins Floating @ 12 MHz	5,7
		5.5V		20.0	12.0	mA	All Output and I/O Pins Floating @ 12 MHz	5,7
I <sub>CC1</sub>	Standby Current	4.5V		5.0	2.5	mA	HALT Mode V <sub>IN</sub> = 0V, V <sub>CC</sub> @ 2 MHz	5,7
		5.5V		5.0	2.5	mA	HALT Mode V <sub>IN</sub> = 0V, V <sub>CC</sub> @ 2 MHz	5,7
		4.5V		5.0	3.0	mA	HALT Mode V <sub>IN</sub> = 0V, V <sub>CC</sub> @ 8 MHz	5,7
		5.5V		5.0	3.0	mA	HALT Mode V <sub>IN</sub> = 0V, V <sub>CC</sub> @ 8 MHz	5,7
		4.5V		7.0	4.0	mA	HALT Mode V <sub>IN</sub> = 0V, V <sub>CC</sub> @ 12 MHz	5,7
		5.5V		7.0	4.0	mA	HALT Mode V <sub>IN</sub> = 0V, V <sub>CC</sub> @ 12 MHz	5,7
I <sub>CC</sub>	Supply Current (Low Noise Mode)	4.5V		11.0	6.8	mA	All Output and I/O Pins Floating @ 1 MHz	7
		5.5V		11.0	6.8	mA	All Output and I/O Pins Floating @ 1 MHz	7
		4.5V		13.0	7.5	mA	All Output and I/O Pins Floating @ 2 MHz	7
		5.5V		13.0	7.5	mA	All Output and I/O Pins Floating @ 2 MHz	7
		4.5V		15.0	8.2	mA	All Output and I/O Pins Floating @ 4 MHz	7
		5.5V		15.0	8.2	mA	All Output and I/O Pins Floating @ 4 MHz	7

Sym	Parameter	$V_{CC}$ [4]	$T_A = -40^\circ\text{C to } +105^\circ\text{C}$		Typical @ 25°C	Units	Conditions	Notes
			Min	Max				
$I_{CC1}$	Standby Current (Low Noise Mode)	4.5V		4.0	2.5	mA	HALT Mode $V_{IN} = 0V$ , $V_{CC}$ @ 1 MHz	7
		5.5V		4.0	2.5	mA	HALT Mode $V_{IN} = 0V$ , $V_{CC}$ @ 1 MHz	7
		4.5V		4.5	2.8	mA	HALT Mode $V_{IN} = 0V$ , $V_{CC}$ @ 2 MHz	7
		5.5V		4.5	2.8	mA	HALT Mode $V_{IN} = 0V$ , $V_{CC}$ @ 2 MHz	7
		4.5V		5.0	3.0	mA	HALT Mode $V_{IN} = 0V$ , $V_{CC}$ @ 4 MHz	7
		5.5V		5.0	3.0	mA	HALT Mode $V_{IN} = 0V$ , $V_{CC}$ @ 4 MHz	7
$I_{CC2}$	Standby Current	4.5V		20	1.0	$\mu\text{A}$	STOP Mode $V_{IN} = 0V$ , $V_{CC}$ WDT is not Running	7,8
		5.5V		20	1.0	$\mu\text{A}$	STOP Mode $V_{IN} = 0V$ , $V_{CC}$ WDT is not Running	7,8
$I_{ALL}$	Auto Latch Low Current	4.5V		40	16	$\mu\text{A}$	$0V < V_{IN} < V_{CC}$	
		5.5V		40	16	$\mu\text{A}$	$0V < V_{IN} < V_{CC}$	
$I_{ALH}$	Auto Latch High Current	4.5V		-20.0	-8.0	$\mu\text{A}$	$0V < V_{IN} < V_{CC}$	
		5.5V		-20.0	-8.0	$\mu\text{A}$	$0V < V_{IN} < V_{CC}$	

**Notes:**

1. Port 2 and Port 0 only
2.  $V_{SS} = 0V = \text{GND}$
3. The device operates down to  $V_{LV}$  of the specified frequency for  $V_{LV}$ . The minimum operational  $V_{CC}$  is determined on the value of the voltage  $V_{LV}$  at the ambient temperature. The  $V_{LV}$  increases as the temperature decreases.
4.  $V_{CC} = 4.5V$  to  $5.5V$ , typical values measured at  $V_{CC} = 5.0V$
5. Standard Mode (not Low EMI Mode)
6. Z86E08 only
7. All outputs unloaded and all inputs are at  $V_{CC}$  or  $V_{SS}$  level.
8. If analog comparator is selected, then the comparator inputs must be at  $V_{CC}$  level.

AC ELECTRICAL CHARACTERISTICS



Figure 6. AC Electrical Timing Diagram

**AC ELECTRICAL CHARACTERISTICS**

Timing Table (Standard Mode for SCLK/TCLK = XTAL/2)

Standard Temperature

15		$T_A = 0\text{ }^\circ\text{C to } +70\text{ }^\circ\text{C}$							
No	Symbol	Parameter	$V_{CC}$	8 MHz		12 MHz		Units	Notes
				Min	Max	Min	Max		
1	TpC	Input Clock Period	4.5V	125	DC	83	DC	ns	1
			5.5V	125	DC	83	DC	ns	1
2	TrC,TfC	Clock Input Rise and Fall Times	4.5V		25		15	ns	1
			5.5V		25		15	ns	1
3	TwC	Input Clock Width	4.5V	62		41		ns	1
			5.5V	62		41		ns	1
4	TwTinL	Timer Input Low Width	4.5V	100		100		ns	1
			5.5V	70		70		ns	1
5	TwTinH	Timer Input High Width	4.5V	5TpC		5TpC			1
			5.5V	5TpC		5TpC			1
6	TpTin	Timer Input Period	4.5V		8TpC	8TpC			1
			5.5V		8TpC	8TpC			1
7	TrTin, TtTin	Timer Input Rise and Fall Time	4.5V		100		100	ns	1
			5.5V		100		100	ns	1
8	TwlL	Int. Request Input Low Time	4.5V	70		70		ns	1,2
			5.5V	70		70		ns	1,2
9	TwhH	Int. Request Input High Time	4.5V		5TpC	5TpC			1,2
			5.5V		5TpC	5TpC			1,2
10	Twdt	Watch-Dog Timer Delay Time for Timeout	4.5V	12		12		ms	1
			5.5V	12		12		ms	1
11	Tpor	Power-On Reset Time	4.5V	20	80	20	80	ms	1
			5.5V	20	80	20	80	ms	1

**Notes:**

1. Timing Reference uses 0.7  $V_{CC}$  for a logic 1 and 0.2  $V_{CC}$  for a logic 0.
2. Interrupt request through Port 3 (P33–P31).

### AC ELECTRICAL CHARACTERISTICS

Timing Table (Standard Mode for SCLK/TCLK = XTAL/2)  
Extended Temperature

No	Symbol	Parameter	V <sub>CC</sub>	T <sub>A</sub> = -40 °C to +105 °C				Units	Notes
				8 MHz		12 MHz			
				Min	Max	Min	Max		
1	TpC	Input Clock Period	4.5V	125	DC	83	DC	ns	1
			5.5V	125	DC	83	DC	ns	1
2	TrC, TfC	Clock Input Rise and Fall Times	4.5V		25		15	ns	1
			5.5V		25		15	ns	1
3	TwC	Input Clock Width	4.5V		62		41	ns	1
			5.5V		62		41	ns	1
4	TwTinL	Timer Input Low Width	4.5V	70		70		ns	1
			5.5V	70		70		ns	1
5	TwTinH	Timer Input High Width	4.5V	5TpC		5TpC			1
			5.5V	5TpC		5TpC			1
6	TpTin	Timer Input Period	4.5V	8TpC		8TpC			1
			5.5V	8TpC		8TpC			1
7	TrTin, TtTin	Timer Input Rise and Fall Time	4.5V		100		100	ns	1
			5.5V		100		100	ns	1
8	TwIL	Int. Request Input Low Time	4.5V	70		70		ns	1,2
			5.5V	70		70		ns	1,2
9	TwIH	Int. Request Input High Time	4.5V	5TpC		5TpC			1,2
			5.5V	5TpC		5TpC			1,2
10	Twdt	Watch-Dog Timer Delay Time for Timeout	4.5V	10		10		ms	1
			5.5V	10		10		ms	1
11	Tpor	Power-On Reset Time	4.5V	12	100	12	100	ms	1
			5.5V	12	100	12	100	ms	1

**Notes:**

1. Timing Reference uses 0.7 V<sub>CC</sub> for a logic 1 and 0.2 V<sub>CC</sub> for a logic 0.
2. Interrupt request made through Port 3 (P33–P31).



**AC ELECTRICAL CHARACTERISTICS**

Low Noise Mode, Standard Temperature

No	Symbol	Parameter	V <sub>CC</sub>	T <sub>A</sub> = 0 °C to +70 °C				Units	Notes
				1 MHz	4 MHz	Min	Max		
1	TPC	Input Clock Period	4.5V	1000	DC	250	DC	ns	1
			5.5V	1000	DC	250	DC	ns	1
2	TrC TfC	Clock Input Rise and Fall Times	4.5V		25		25	ns	1
			5.5V		25		25	ns	1
3	TwC	Input Clock Width	4.5V	500		125		ns	1
			5.5V	500		125		ns	1
4.	TwTinL	Timer Input Low Width	4.5V	70		70		ns	1
			5.5V	70		70		ns	1
5	TwTinH	Timer Input High Width	4.5V	2.5TpC		2.5TpC			1
			5.5V	2.5TpC		2.5TpC			1
6	TpTin	Timer Input Period	4.5V	4TpC		4TpC			1
			5.5V	4TpC		4TpC			1
7	TrTin, TtTin	Timer Input Rise and Fall Time	4.5V		100		100	ns	1
			5.5V		100		100	ns	1
8	TwIL Low Time	Int. Request Input	4.5V	70		70		ns	1,2
			5.5V	70		70		ns	1,2
9	TwIH High Time	Int. Request Input	4.5V	2.5TpC		2.5TpC			1,2
			5.5V	2.5TpC		2.5TpC			1,2
10	Twdt	Watch-Dog Timer Delay Time for Timeout	4.5V	12		12		ms	1
			5.5V	12		12		ms	1

**Notes:**

1. Timing Reference uses 0.7 V<sub>CC</sub> for a logic 1 and 0.2 V<sub>CC</sub> for a logic 0.
2. Interrupt request through Port 3 (P33–P31).

**AC ELECTRICAL CHARACTERISTICS (Continued)**

Low Noise Mode, Extended Temperature

No	Symbol	Parameter	V <sub>CC</sub>	T <sub>A</sub> = -40 °C to +105 °C				Units	Notes
				1 MHz		4 MHz			
				Min	Max	Min	Max		
1	TPC	Input Clock Period	4.5V	1000	DC	250	DC	ns	1
			5.5V	1000	DC	250	DC	ns	1
2	TrC TfC	Clock Input Rise and Fall Times	4.5V		25		25	ns	1
			5.5V		25		25	ns	1
3	TwC	Input Clock Width	4.5V	500		125		ns	1
			5.5V	500		125		ns	1
4	TwTinL	Timer Input Low Width	4.5V	70		70		ns	1
			5.5V	70		70		ns	1
5	TwTinH	Timer Input High Width	4.5V	2.5TpC		2.5TpC			1
			5.5V	2.5TpC		2.5TpC			1
6	TpTin	Timer Input Period	4.5V		4TpC	4TpC			1
			5.5V		4TpC	4TpC			1
7	TrTin, TtTin	Timer Input Rise and Fall Time	4.5V		100		100	ns	1
			5.5V		100		100	ns	1
8	TwIL	Int. Request Input Low Time	4.5V	70		70		ns	1,2
			5.5V	70		70		ns	1,2
9	TwIH	Int. Request Input High Time	4.5V	2.5TpC		2.5TpC			1,2
			5.5V	2.5TpC		2.5TpC			1,2
10	Twdt	Watch-Dog Timer Delay Time for Timeout	4.5V	10		10		ms	1
			5.5V	10		10		ms	1

**Notes:**

1. Timing Reference uses 0.7 V<sub>CC</sub> for a logic 1 and 0.2 V<sub>CC</sub> for a logic 0.
2. Interrupt request through Port 3 (P33–P31).

## LOW NOISE VERSION

### Low EMI Emission

The Z86E04/E08 can be programmed to operate in a Low EMI Emission Mode by means of a mask ROM bit option. Use of this feature results in:

- All pre-driver slew rates reduced to 10 ns typical.
- Internal SCLK/TCLK operation limited to a maximum of 4 MHz–250 ns cycle time.

- Output drivers have resistances of 500 Ohms (typical).
- Oscillator divide-by-two circuitry eliminated.

The Low EMI Mode is mask-programmable to be selected by the customer at the time the ROM code is submitted.

## PIN FUNCTIONS

### OTP Programming Mode

**D7–D0 Data Bus.** Data can be read from, or written to, the EPROM through this data bus.

**V<sub>CC</sub> Power Supply.** It is typically 5V during EPROM Read Mode and 6.4V during the other modes (Program, Program Verify, and so on).

**$\overline{CE}$  Chip Enable (active Low).** This pin is active during EPROM Read Mode, Program Mode, and Program Verify Mode.

**$\overline{OE}$  Output Enable (active Low).** This pin drives the Data Bus direction. When this pin is Low, the Data Bus is output. When High, the Data Bus is input.

**EPM EPROM Program Mode.** This pin controls the different EPROM Program Modes by applying different voltages.

**V<sub>PP</sub> Program Voltage.** This pin supplies the program voltage.

**Clear Clear (active High).** This pin resets the internal address counter at the High Level.

**Clock Address Clock.** This pin is a clock input. The internal address counter increases by one with one clock cycle.

**$\overline{PGM}$  Program Mode (active Low).** A Low level at this pin programs the data to the EPROM through the Data Bus.

### Application Precaution

The production test-mode environment may be enabled accidentally during normal operation if **excessive noise** surges above V<sub>CC</sub> occur on the XTAL1 pin.

In addition, processor operation of Z8 OTP devices may be affected by **excessive noise** surges on the V<sub>PP</sub>,  $\overline{CE}$ , EPM,  $\overline{OE}$  pins while the microcontroller is in Standard Mode.

Recommendations for dampening voltage surges in both test and OTP Mode include the following:

- Using a clamping diode to V<sub>CC</sub>.
- Adding a capacitor to the affected pin.

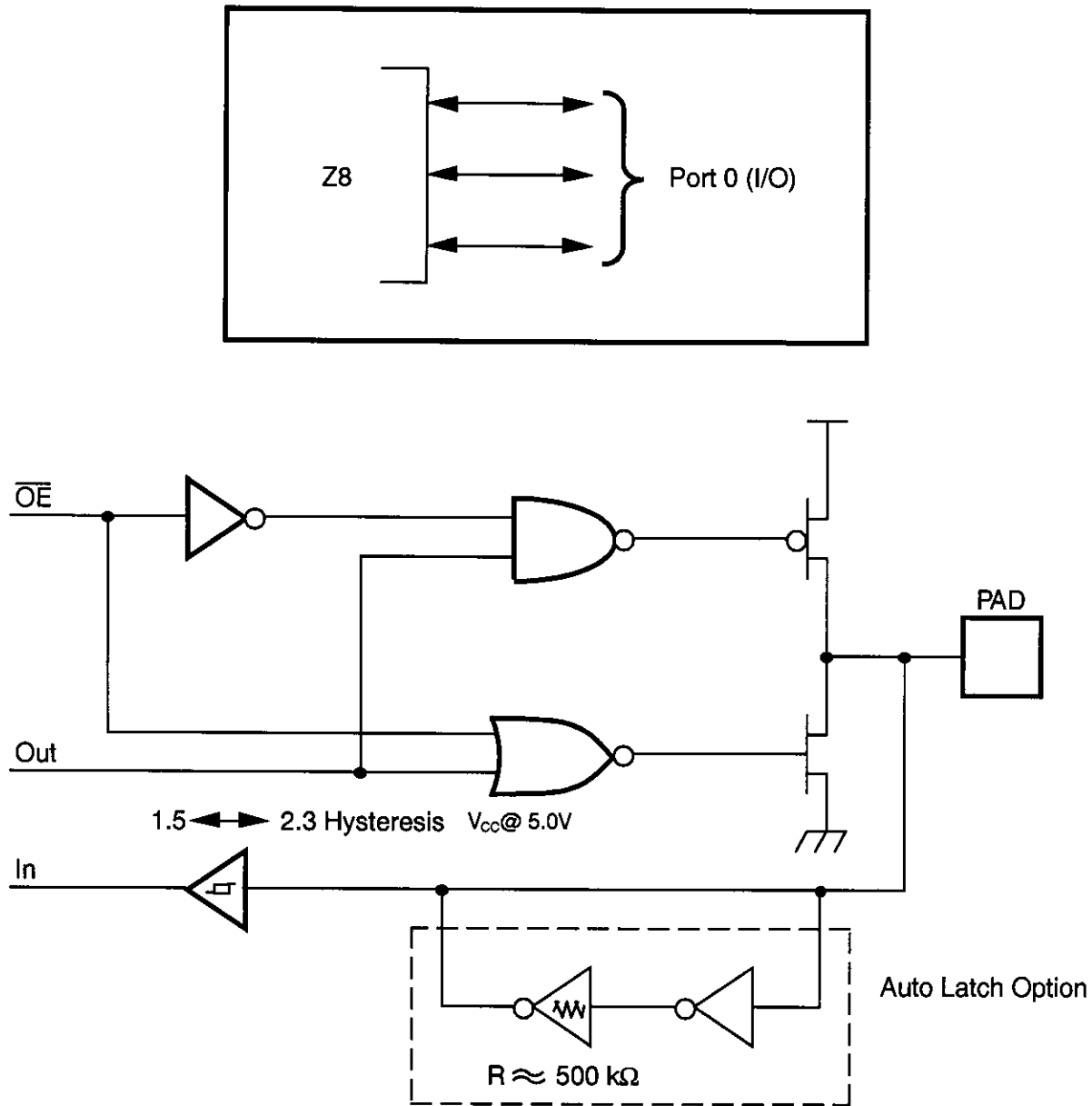
**Note:** Programming the EPROM/Test Mode Disable option will prevent accidental entry into EPROM Mode or Test Mode.

**PIN FUNCTIONS (Continued)**

**XTAL1, XTAL2** *Crystal In, Crystal Out* (time-based input and output, respectively). These pins connect a parallel-resonant crystal, LC, or an external single-phase clock (8 MHz or 12 MHz max) to the on-chip clock oscillator and buffer.

**Port 0, P02–P00.** Port 0 is a 3-bit bidirectional, Schmitt-triggered CMOS-compatible I/O port. These three I/O lines can be globally configured under software control to be inputs or outputs (Figure 7).

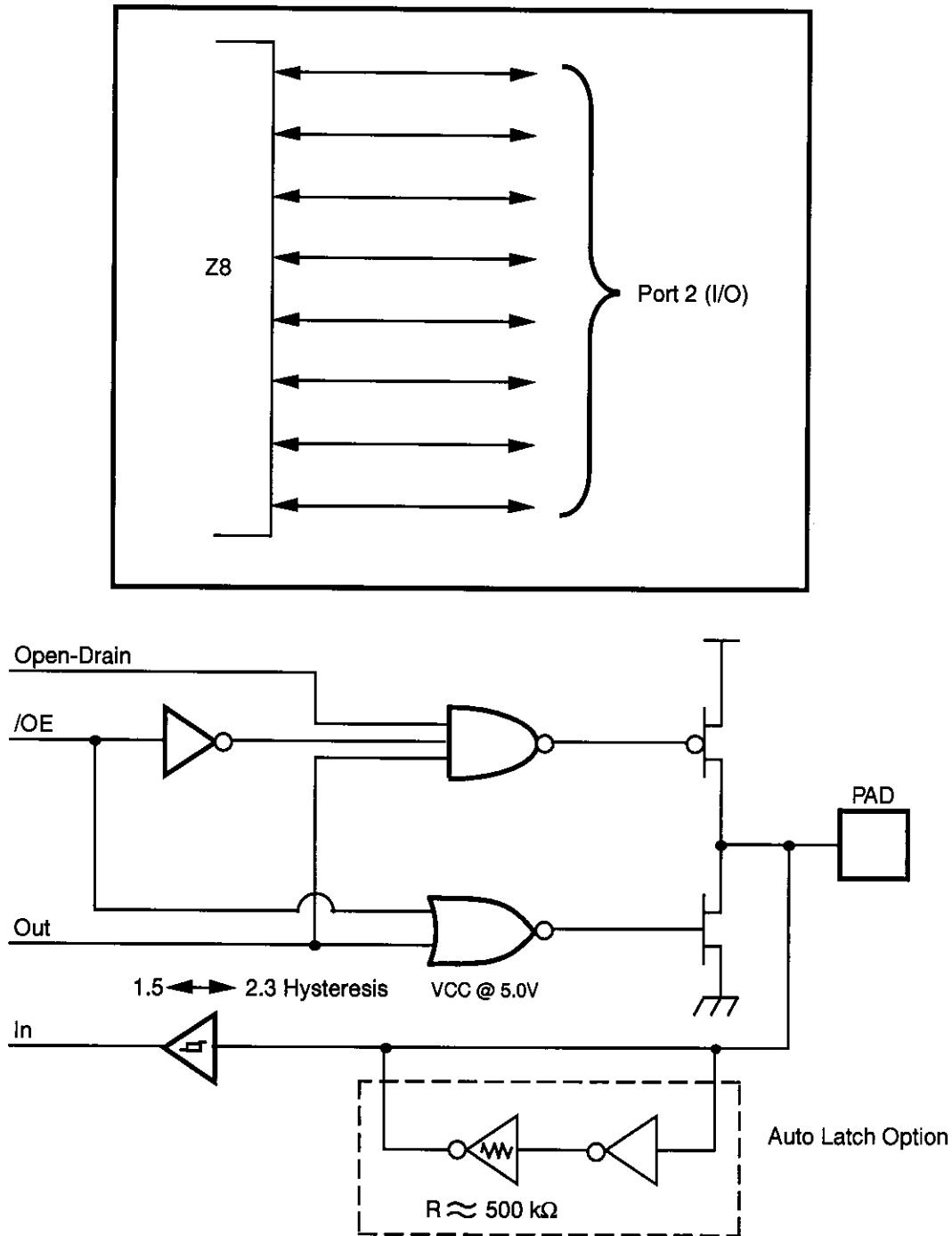
**Auto Latch.** The Auto Latch puts valid CMOS levels on all CMOS inputs (except P33, P32, P31) that are not externally driven. A valid CMOS level, rather than a floating node, reduces excessive supply current flow in the input buffer. On Power-up and Reset, the Auto Latch will set the ports to an undetermined state of 0 or 1. Default condition is Auto Latches enabled.



**Figure 7. Port 0 Configuration**

**Port 2, P27–P20.** Port 2 is an 8-bit, bit programmable, bi-directional, Schmitt-triggered CMOS-compatible I/O port. These eight I/O lines can be configured under software

control to be inputs or outputs, independently. Bits programmed as outputs can be globally programmed as either push-pull or open-drain (Figure 8).

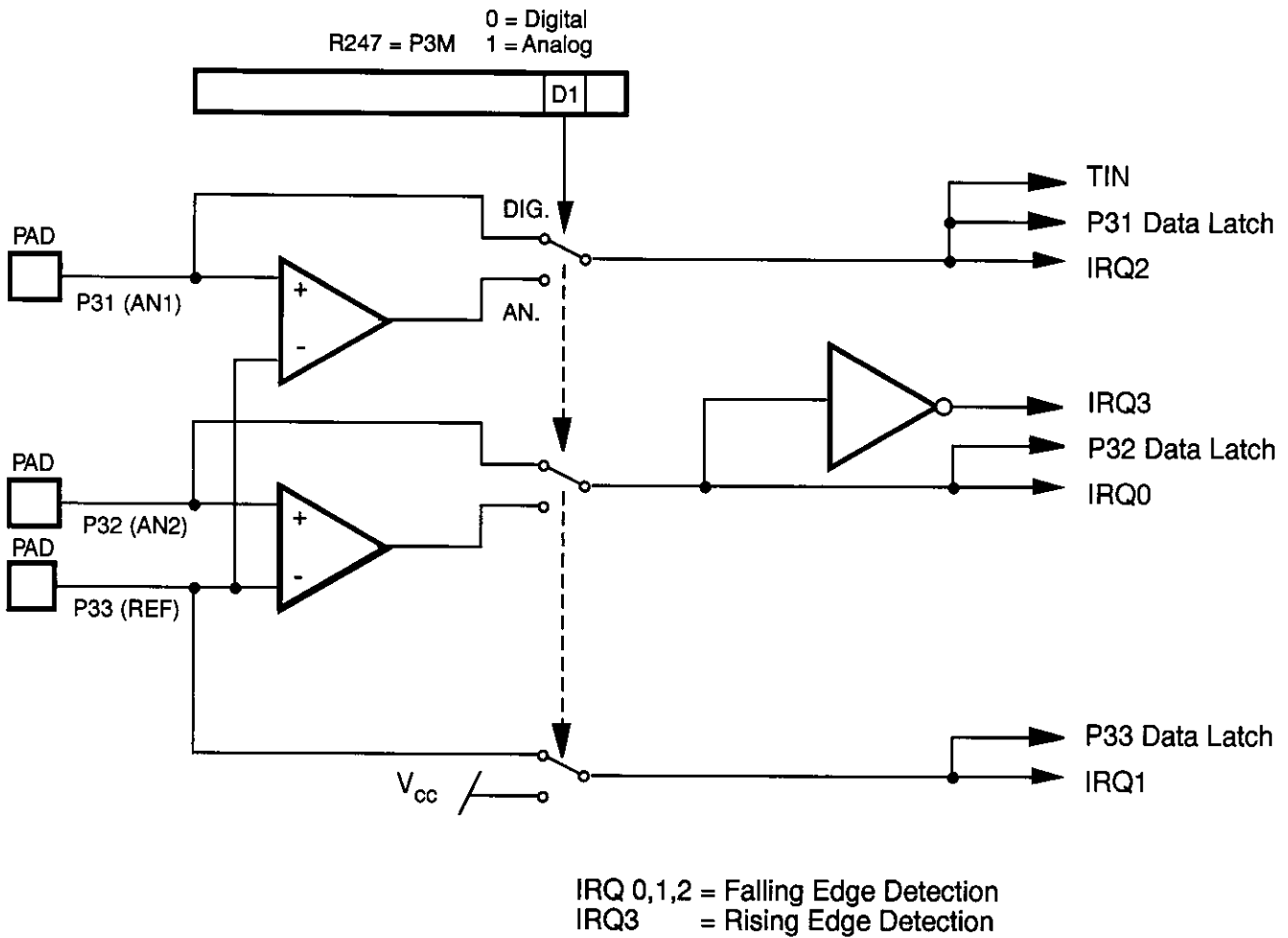
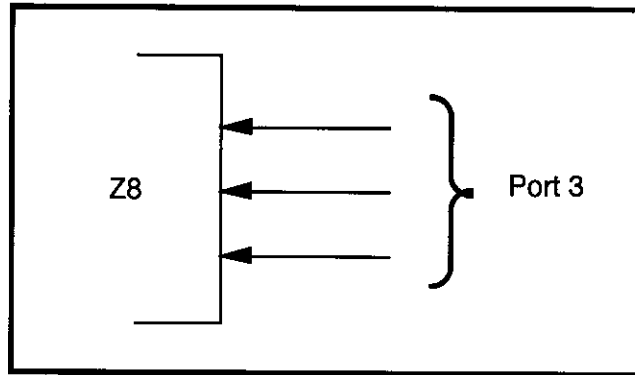


**Figure 8. Port 2 Configuration**

**PIN FUNCTIONS** (Continued)

**Port 3, P33–P31.** Port 3 is a 3-bit, CMOS-compatible port with three fixed input (P33–P31) lines. These three input lines can be configured under software control as digital Schmitt-trigger inputs or analog inputs.

These three input lines are also used as the interrupt sources IRQ0–IRQ3, and as the timer input signal  $T_{IN}$  (Figure 9).



**Figure 9. Port 3 Configuration**

**Comparator Inputs.** Two analog comparators are added to input of Port 3, P31, and P32, for interface flexibility. The comparators reference voltage P33 (REF) is common to both comparators.

Typical applications for the on-board comparators; Zero crossing detection, A/D conversion, voltage scaling, and threshold detection. In Analog Mode, P33 input functions serve as a reference voltage to the comparators.

The dual comparator (common inverting terminal) features a single power supply which discontinues power in STOP

Mode. The common voltage range is 0–4 V when the  $V_{CC}$  is 5.0V; the power supply and common mode rejection ratios are 90 dB and 60 dB, respectively.

Interrupts are generated on either edge of Comparator 2's output, or on the falling edge of Comparator 1's output. The comparator output is used for interrupt generation, Port 3 data inputs, or  $T_{IN}$  through P31. Alternatively, the comparators can be disabled, freeing the reference input (P33) for use as IRQ1 and/or P33 input.

## FUNCTIONAL DESCRIPTION

The following special functions have been incorporated into the Z8 devices to enhance the standard Z8 core architecture to provide the user with increased design flexibility.

**RESET.** This function is accomplished by means of a Power-On Reset or a Watch-Dog Timer Reset. Upon power-up, the Power-On Reset circuit waits for  $T_{POR}$  ms, plus 18 clock cycles, then starts program execution at address 000C (Hex) (Figure 10). The Z8 control registers' reset value is shown in Table 3.

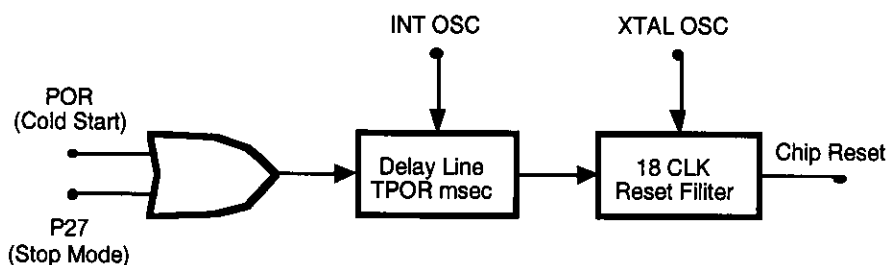


Figure 10. Internal Reset Configuration

**Power-On Reset (POR).** A timer circuit clocked by a dedicated on-board RC oscillator is used for a POR timer function. The POR time allows  $V_{CC}$  and the oscillator circuit to stabilize before instruction execution begins. The POR timer circuit is a one-shot timer triggered by one of the four following conditions:

- Power-bad to power-good status
- Stop-Mode Recovery
- WDT time-out
- WDH time-out

**Watch-Dog Timer Reset.** The WDT is a retriggerable one-shot timer that resets the Z8 if it reaches its terminal count. The WDT is initially enabled by executing the WDT instruction and is retriggered on subsequent execution of the WDT instruction. The timer circuit is driven by an on-board RC oscillator.

## FUNCTIONAL DESCRIPTION (Continued)

Table 3. Control Registers

Addr.	Reg.	Reset Condition								Comments
		D7	D6	D5	D4	D3	D2	D1	D0	
FF	SPL	0	0	0	0	0	0	0	0	
FD	RP	0	0	0	0	0	0	0	0	
FC	FLAGS	U	U	U	U	U	U	U	U	
FB	IMR	0	U	U	U	U	U	U	U	
FA	IRQ	U	U	0	0	0	0	0	0	IRQ3 is used for positive edge detection
F9	IPR	U	U	U	U	U	U	U	U	
F8*	P01M	U	U	U	0	U	U	0	1	
F7*	P3M	U	U	U	U	U	U	0	0	
F6*	P2M	1	1	1	1	1	1	1	1	Inputs after reset
F5	PRE0	U	U	U	U	U	U	U	0	
F4	T0	U	U	U	U	U	U	U	U	
F3	PRE1	U	U	U	U	U	U	0	0	
F2	T1	U	U	U	U	U	U	U	U	
F1	TMR	0	0	0	0	0	0	0	0	

**Note:** \*Registers are not reset after a STOP-Mode Recovery using P27 pin. A subsequent reset will cause these control registers to be reconfigured as shown in Table 4 and the user must avoid bus contention on the port pins or it may affect device reliability.



**Program Memory.** The Z86E04/E08 addresses up to 1K/2KB of Internal Program Memory (Figure 11). The first 12 bytes of program memory are reserved for the interrupt vectors. These locations contain six 16-bit vectors that correspond to the six available interrupts. Bytes 0–1024/2048 are on-chip one-time programmable ROM.

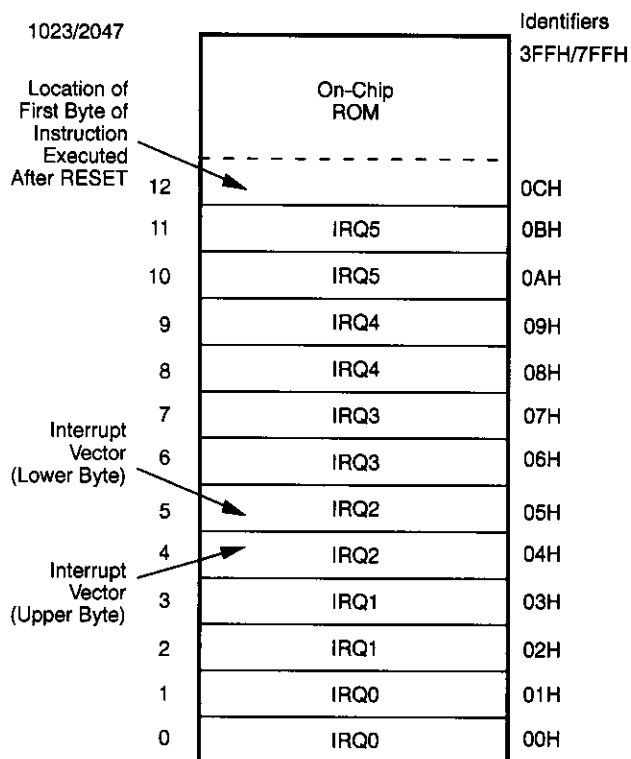


Figure 11. Program Memory Map

**Register File.** The Register File consists of three I/O port registers, 124 general-purpose registers, and 14 control and status registers R0–R3, R4–R127 and R241–R255, respectively (Figure 12). General-purpose registers occupy the 04H to 7FH address space. I/O ports are mapped as per the existing CMOS Z8.

Location	Identifiers
255 (FFH)	SPL
254 (FE)	GPR
253 (FD)	RP
252 (FC)	FLAGS
251 (FB)	IMR
250 (FA)	IRQ
249 (F9)	IPR
248 (F8)	P01M
247 (F7)	P3M
246 (F6)	P2M
245 (F5)	PRE0
244 (F4)	T0
243 (F3)	PRE1
242 (F2)	T1
241 (F1H)	TMR
	Not Implemented
128	
127 (7FH)	General-Purpose Registers
4	
3	P3
2	P2
1	P1
0 (00H)	P0

Figure 12. Register File

## FUNCTIONAL DESCRIPTION (Continued)

The Z8 instructions can access registers directly or indirectly through an 8-bit address field. This allows short 4-bit register addressing using the Register Pointer.

In the 4-bit mode, the register file is divided into eight working register groups, each occupying 16 continuous locations. The Register Pointer (Figure 13) addresses the starting location of the active working-register group.

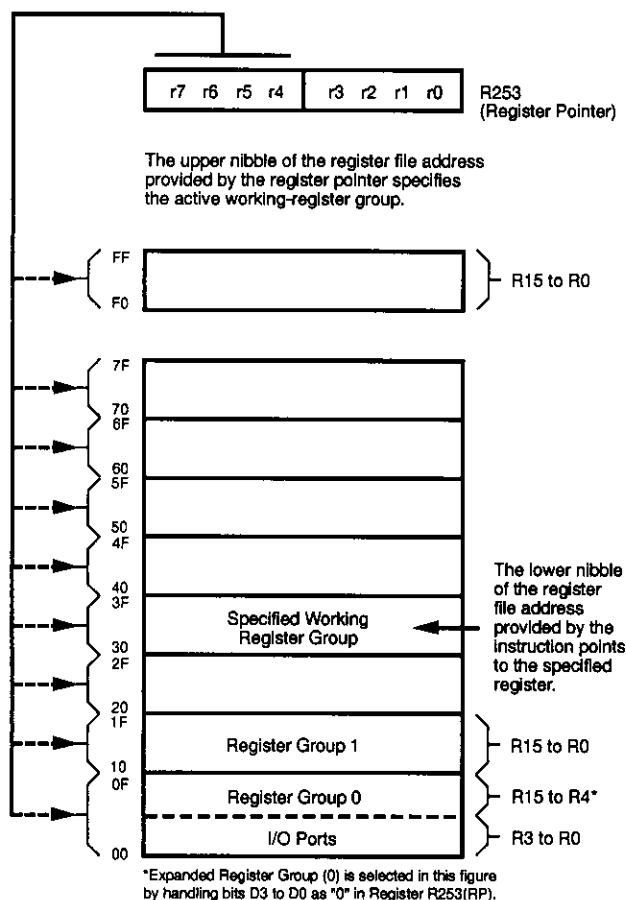


Figure 13. Register Pointer

**Stack Pointer.** The Z8 has an 8-bit Stack Pointer (R255) used for the internal stack that resides within the 124 general-purpose registers.

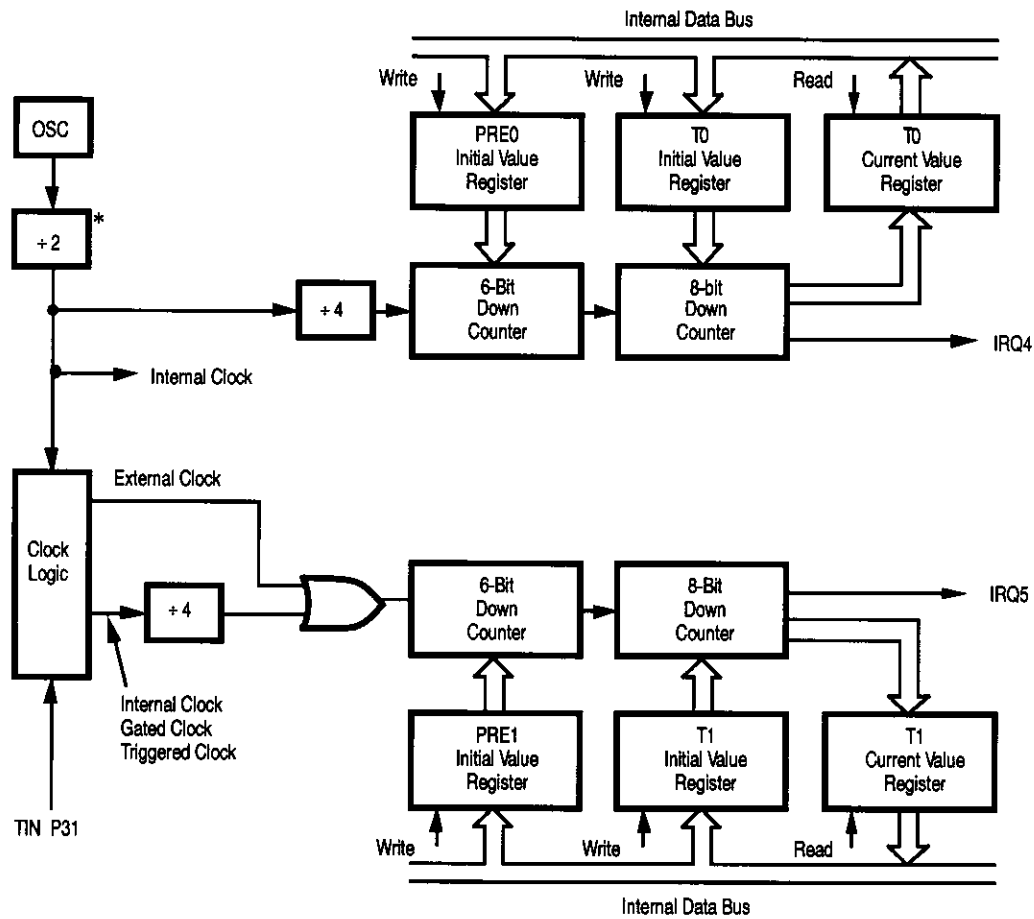
**General-Purpose Registers (GPR).** These registers are undefined after the device is powered up. The registers keep their last value after any reset, as long as the reset occurs in the  $V_{CC}$  voltage-specified operating range. **Note:** Register R254 has been designated as a general-purpose register and is set to 00 Hex after any reset or Stop-Mode Recovery.

**Counter/Timer.** There are two 8-bit programmable counter/timers (T0 and T1), each driven by its own 6-bit programmable prescaler. The T1 prescaler is driven by internal or external clock sources; however, the T0 can be driven by the internal clock source only (Figure 14).

The 6-bit prescalers divide the input frequency of the clock source by any integer number from 1 to 64. Each prescaler drives its counter, which decrements the value (1 to 256) that has been loaded into the counter. When both counter and prescaler reach the end of count, a timer interrupt request IRQ4 (T0) or IRQ5 (T1) is generated.

The counter can be programmed to start, stop, restart to continue, or restart from the initial value. The counters are also programmed to stop upon reaching zero (Single-Pass Mode) or to automatically reload the initial value and continue counting (Modulo-N Continuous Mode).

The counters, but not the prescalers, are read at any time without disturbing their value or count mode. The clock source for T1 is user-definable and is either the internal microprocessor clock divided by four, or an external signal input through Port 3. The Timer Mode register configures the external timer input (P31) as an external clock, a trigger input that is retriggerable or non-retriggerable, or used as a gate input for the internal clock.



\* Note: By passed, if Low EMI Mode is selected.

Figure 14. Counter/Timers Block Diagram

**FUNCTIONAL DESCRIPTION (Continued)**

**Interrupts.** The Z8 has six interrupts from six different sources. These interrupts are maskable and prioritized (Figure 15). The sources are divided as follows: the falling edge of P31 (AN1), P32 (AN2), P33 (REF), the rising edge of P32 (AN2), and two counter/timers. The Interrupt Mask Register globally or individually enables or disables the six interrupt requests (Table 4).

When more than one interrupt is pending, priorities are resolved by a programmable priority encoder that is controlled by the Interrupt Priority register. All Z8 interrupts are vectored through locations in program memory. When an Interrupt machine cycle is activated, an Interrupt Request is granted. This disables all subsequent interrupts, saves the Program Counter and Status Flags, and then branches to the program memory vector location reserved for that interrupt. This memory location and the next byte contain the 16-bit starting address of the interrupt service routine for that particular interrupt request.

To accommodate polled interrupt systems, interrupt inputs are masked and the interrupt request register is polled to determine which of the interrupt requests needs service.

**Note:** User must select any Z86E08 mode in Zilog's C12 ICEBOX™ emulator. The rising edge interrupt is not supported on the CCP emulator (a hardware/software workaround must be employed).

**Table 4. Interrupt Types, Sources, and Vectors**

Name	Source	Vector Location	Comments
IRQ0	AN2(P32)	0,1	External (F)Edge
IRQ1	REF(P33)	2,3	External (F)Edge
IRQ2	AN1(P31)	4,5	External (F)Edge
IRQ3	AN2(P32)	6,7	External (R)Edge
IRQ4	T0	8,9	Internal
IRQ5	T1	10,11	Internal

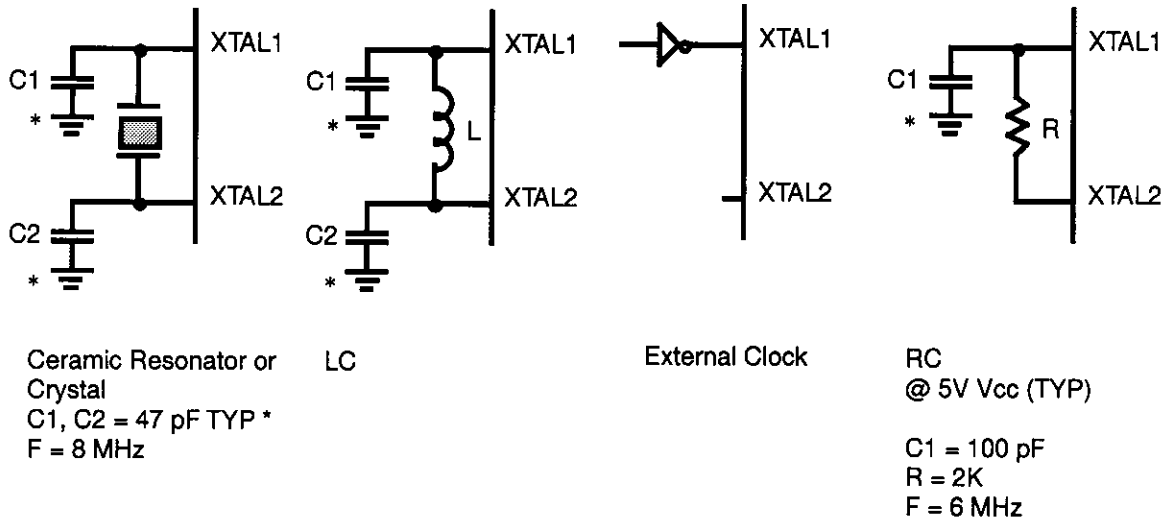
**Notes:**  
F = Falling edge triggered  
R = Rising edge triggered



**Figure 15. Interrupt Block Diagram**

**Clock.** The Z8 on-chip oscillator has a high-gain, parallel-resonant amplifier for connection to a crystal, LC, RC, ceramic resonator, or any suitable external clock source (XTAL1 = INPUT, XTAL2 = OUTPUT). The crystal should be AT cut, up to 12 MHz max., with a series resistance (RS) of less than or equal to 100 Ohms.

The crystal should be connected across XTAL1 and XTAL2 using the vendors crystal recommended capacitors from each pin directly to device ground pin 14 (Figure 16). Note that the crystal capacitor loads should be connected to V<sub>SS</sub>, Pin 14 to reduce Ground noise injection.



\* Typical value including pin parasitics

**Figure 16. Oscillator Configuration**

## FUNCTIONAL DESCRIPTION (Continued)

Table 5. Typical Frequency vs. RC Values  
 $V_{CC} = 5.0V @ 25^{\circ}C$ 

Resistor (R)	Load Capacitor							
	33 pFd		56 pFd		100 pFd		0.00 1 $\mu$ Fd	
	A(Hz)	B(Hz)	A(Hz)	B(Hz)	A(Hz)	B(Hz)	A(Hz)	B(Hz)
1.0M	33K	31K	20K	20K	12K	11K	1.4K	1.4K
560K	56K	52K	34K	32K	20K	19K	2.5K	2.4K
220K	144K	130K	84K	78K	48K	45K	6K	6K
100K	315K	270K	182K	164K	100K	95K	12K	12K
56K	552K	480K	330K	300K	185K	170K	23K	22K
20K	1.4M	1M	884K	740K	500K	450K	65K	61K
10K	2.6M	2M	1.6M	1.3M	980K	820K	130K	123K
5K	4.4M	3M	2.8M	2M	1.7K	1.3M	245K	225K
2K	8M	5M	6M	4M	3.8K	2.7M	600K	536K
1K	12M	7M	8.8M	6M	6.3K	4.2M	1.0M	950K

## Notes:

A = STD Mode Frequency.

B = Low EMI Mode Frequency.

Table 6. Typical Frequency vs. RC Values  
 $V_{CC} = 3.3V @ 25^{\circ}C$ 

Resistor (R)	Load Capacitor							
	33 pFd		56 pFd		100 pFd		0.00 1 $\mu$ Fd	
	A(Hz)	B(Hz)	A(Hz)	B(Hz)	A(Hz)	B(Hz)	A(Hz)	B(Hz)
1.0M	18K	18K	12K	12K	7.4K	7.7K	1K	1K
560K	30K	30K	20K	20K	12K	12K	1.6K	1.6K
220K	70K	70K	47K	47K	30K	30K	4K	4K
100K	150K	148K	97K	96K	60K	60K	8K	8K
56K	268K	250K	176K	170K	100K	100K	15K	15K
20K	690M	600K	463K	416K	286K	266K	40K	40K
10K	1.2M	1M	860K	730K	540K	480K	80K	76K
5K	2M	1.7M	1.5M	1.2M	950K	820K	151K	138K
2K	4.6M	3M	3.3M	2.4M	2.2M	1.6M	360K	316K
1K	7M	4.6M	5M	3.6M	3.6K	2.6M	660K	565K

## Notes:

A = STD Mode Frequency.

B = Low EMI Mode Frequency.

**HALT Mode.** This instruction turns off the internal CPU clock but not the crystal oscillation. The counter/timers and external interrupts IRQ0, IRQ1, IRQ2 and IRQ3 remain active. The device is recovered by interrupts, either externally or internally generated. An interrupt request must be executed (enabled) to exit HALT Mode. After the interrupt service routine, the program continues from the instruction after the HALT.

**Note:** On the C12 ICEBOX, the IRQ3 does not wake the device out of HALT Mode.

**STOP Mode.** This instruction turns off the internal clock and external crystal oscillation and reduces the standby current to 10  $\mu$ A. The STOP Mode is released by a RESET through a Stop-Mode Recovery (pin P27). A Low input condition on P27 releases the STOP Mode. Program execution begins at location 000C(Hex). However, when P27 is used to release the STOP Mode, the I/O port Mode registers are not reconfigured to their default power-on conditions. This prevents any I/O, configured as output when the STOP instruction was executed, from glitching to an unknown state. To use the P27 release approach with STOP Mode, use the following instruction:

```
LD          P2M, #1XXX XXXXB
NOP
STOP
```

X = Dependent on user's application.

**Note:** A low level detected on P27 pin will take the device out of STOP Mode even if configured as an output.

In order to enter STOP or HALT Mode, it is necessary to first flush the instruction pipeline to avoid suspending execution in mid-instruction. To do this, the user executes a NOP (opcode=FFH) immediately before the appropriate SLEEP instruction, such as:

```
FF      NOP      ; clear the pipeline
6F      STOP     ; enter STOP Mode
        or
FF      NOP      ; clear the pipeline
7F      HALT     ; enter HALT Mode
```

**Watch-Dog Timer (WDT).** The Watch-Dog Timer is enabled by instruction WDT. When the WDT is enabled, it cannot be stopped by the instruction. With the WDT instruction, the WDT is refreshed when it is enabled within every 1 Twdt period; otherwise, the controller resets itself. The WDT instruction affects the flags accordingly; Z=1, S=0, V=0.

WDT = 5F (Hex)

**Opcode WDT (5FH).** The first time Opcode 5FH is executed, the WDT is enabled and subsequent execution clears the WDT counter. This must be done at least every  $T_{WDT}$ ; otherwise, the WDT times out and generates a reset. The generated reset is the same as a power-on reset of  $T_{POR}$ , plus 18 XTAL clock cycles. The software enabled WDT does not run in STOP Mode.

**Opcode WDH (4FH).** When this instruction is executed it enables the WDT during HALT. If not, the WDT stops when entering HALT. This instruction does not clear the counters, it just makes it possible to have the WDT running during HALT Mode. A WDH instruction executed without executing WDT (5FH) has no effect.

**Permanent WDT.** Selecting the hardware enabled Permanent WDT option, will automatically enable the WDT upon exiting reset. The permanent WDT will always run in HALT Mode and STOP Mode, and it cannot be disabled.

**Auto Reset Voltage ( $V_{LV}$ ).** The Z8 has an auto-reset built-in. The auto-reset circuit resets the Z8 when it detects the  $V_{CC}$  below  $V_{LV}$ .

Figure 17 shows the Auto Reset Voltage versus temperature. If the  $V_{CC}$  drops below the VCC operating voltage range, the Z8 will function down to the  $V_{LV}$  unless the internal clock frequency is higher than the specified maximum  $V_{LV}$  frequency.

FUNCTIONAL DESCRIPTION (Continued)

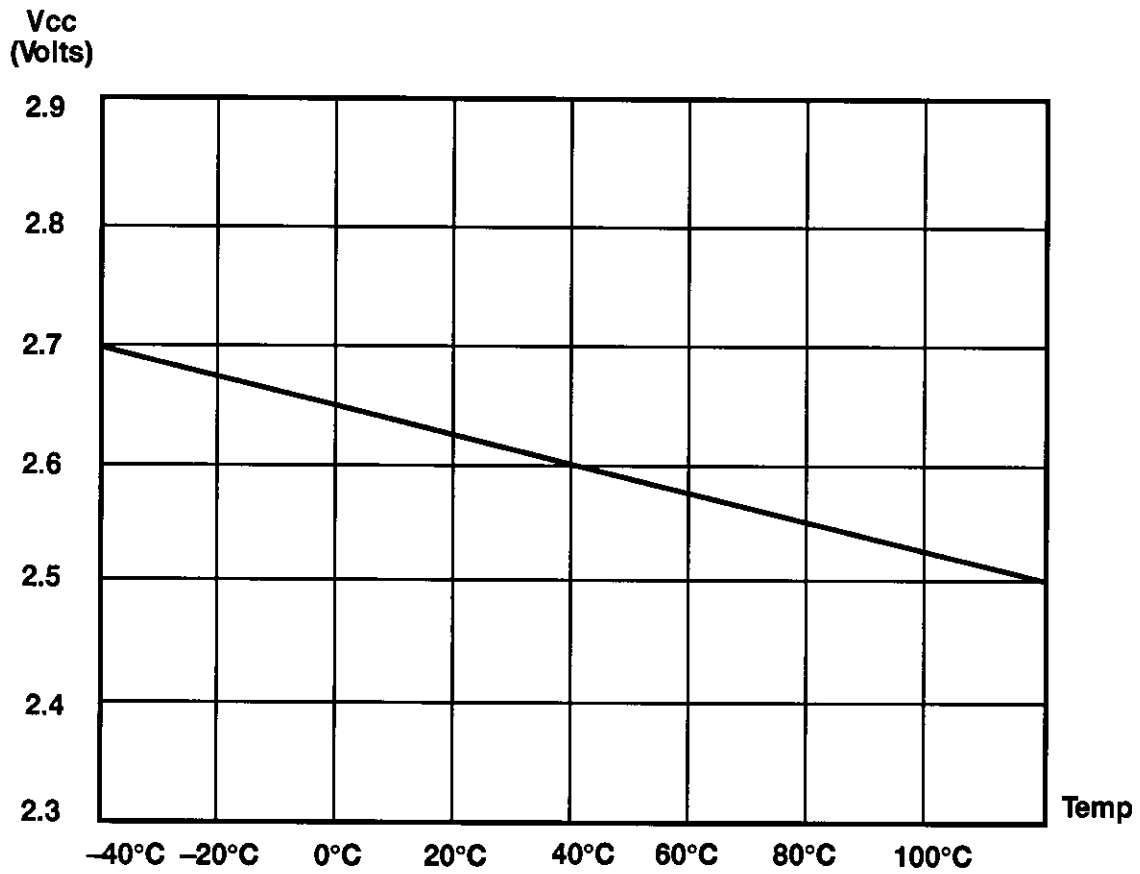


Figure 17. Typical Auto Reset Voltage ( $V_{LV}$ ) vs. Temperature



## Low EMI Emission

The Z8 can be programmed to operate in a low EMI Emission (Low Noise) Mode by means of an EPROM programmable bit option. Use of this feature results in:

- Less than 1 mA consumed during HALT Mode.
- All drivers slew rates reduced to 10 ns (typical).
- Internal SCLK/TCLK = XTAL operation limited to a maximum of 4 MHz–250 ns cycle time.
- Output drivers have resistances of 500 ohms (typical).
- Oscillator divide-by-two circuitry eliminated.

In addition to  $V_{DD}$  and GND ( $V_{SS}$ ), the Z8 changes all its pin functions in the EPROM Mode. XTAL2 has no function, XTAL1 functions as  $\overline{CE}$ , P31 functions as  $\overline{OE}$ , P32 functions as EPM, P33 functions as  $V_{PP}$ , and P02 functions as  $\overline{PGM}$ .

**ROM Protect.** ROM Protect fully protects the Z8 ROM code from being read externally. When ROM Protect is selected, the instructions LDC and LDCI are supported (Z86E04/E08 and Z86C04/C08 do not support the instructions of LDE and LDEI). When the device is programmed for ROM Protect, the Low Noise feature will not automatically be enabled.

Please note that when using the device in a noisy environment, it is suggested that the voltages on the EPM and  $\overline{CE}$  pins be clamped to  $V_{CC}$  through a diode to  $V_{CC}$  to prevent accidentally entering the OTP Mode. The  $V_{PP}$  requires both a diode and a 100 pF capacitor.

**Auto Latch Disable.** Auto Latch Disable option bit when programmed will globally disable all Auto Latches.

**WDT Enable.** The WDT Enable option bit, when programmed, will have the hardware enabled Permanent WDT enabled after exiting reset and can not be stopped in Halt or Stop Mode.

**EPROM/Test Mode Disable.** The EPROM/Test Mode Disable option bit, when programmed, will disable the EPROM Mode and the Factory Test Mode. Reading, verifying, and programming the Z8 will be disabled. To fully verify that this mode is disabled, the device must be power cycled.

**User Modes.** Table 7 shows the programming voltage of each mode.

Table 7. OTP Programming Table

Programming Modes	$V_{PP}$	EPM	$\overline{CE}$	$\overline{OE}$	$\overline{PGM}$	ADDR	DATA	$V_{CC}^*$
EPROM READ	NU	$V_H$	$V_{IL}$	$V_{IL}$	$V_{IH}$	ADDR	Out	5.0V
PROGRAM	$V_H$	$V_{IH}$	$V_{IL}$	$V_{IH}$	$V_{IL}$	ADDR	In	6.4V
PROGRAM VERIFY	$V_H$	$V_{IH}$	$V_{IL}$	$V_{IL}$	$V_{IH}$	ADDR	Out	6.4V
EPROM PROTECT	$V_H$	$V_H$	$V_H$	$V_{IH}$	$V_{IL}$	NU	NU	6.4V
LOW NOISE SELECT	$V_H$	$V_{IH}$	$V_H$	$V_{IH}$	$V_{IL}$	NU	NU	6.4V
AUTO LATCH DISABLE	$V_H$	$V_{IH}$	$V_H$	$V_{IL}$	$V_{IL}$	NU	NU	6.4V
WDT ENABLE	$V_H$	$V_{IL}$	$V_H$	$V_{IH}$	$V_{IL}$	NU	NU	6.4V
EPROM/TEST MODE	$V_H$	$V_{IL}$	$V_H$	$V_{IL}$	$V_{IL}$	NU	NU	6.4V

### Notes:

1.  $V_H = 12.75V \pm 0.25 V_{DC}$ .
2.  $V_{IH}$  = As per specific Z8 DC specification.
3.  $V_{IL}$  = As per specific Z8 DC specification.
4. X = Not used, but must be set to  $V_H$  or  $V_{IH}$  level.
5. NU = Not used, but must be set to either  $V_{IH}$  or  $V_{IL}$  level.
6.  $I_{PP}$  during programming = 40 mA maximum.
7.  $I_{CC}$  during programming, verify, or read = 40 mA maximum.
8. \*  $V_{CC}$  has a tolerance of  $\pm 0.25V$ .

**FUNCTIONAL DESCRIPTION** (Continued)

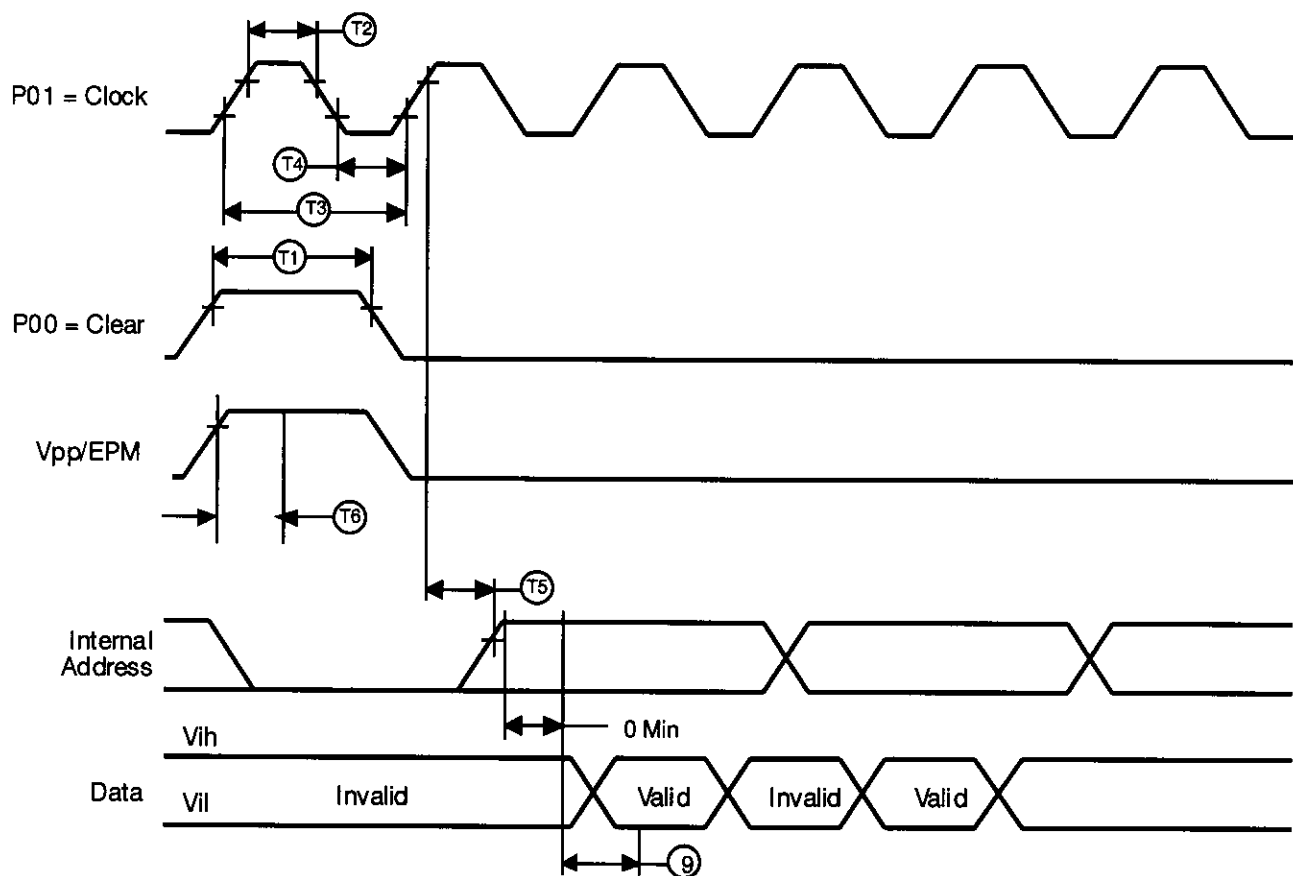
**Internal Address Counter.** The address of Z8 is generated internally with a counter clocked through pin P01 (Clock). Each clock signal increases the address by one and the "high" level of pin P00 (Clear) will reset the address to zero. Figure 18 shows the setup time of the serial address input.

**Programming Waveform.** Figures 19, 20, 21 and 22 show the programming waveforms of each mode. Table 8 shows the timing of programming waveforms.

**Programming Algorithm.** Figure 23 shows the flow chart of the Z8 programming algorithm.

**Table 8. Timing of Programming Waveforms**

Parameters	Name	Min	Max	Units
1	Address Setup Time	2		$\mu$ s
2	Data Setup Time	2		$\mu$ s
3	V <sub>pp</sub> Setup	2		$\mu$ s
4	V <sub>cc</sub> Setup Time	2		$\mu$ s
5	Chip Enable Setup Time	2		$\mu$ s
6	Program Pulse Width	0.95		ms
7	Data Hold Time	2		$\mu$ s
8	OE Setup Time	2		$\mu$ s
9	Data Access Time	188		ns
10	Data Output Float Time		100	ns
11	Overprogram Pulse Width	2.85		ms
12	EPM Setup Time	2		$\mu$ s
13	PGM Setup Time	2		$\mu$ s
14	Address to OE Setup Time	2		$\mu$ s
15	Option Program Pulse Width	78		ms
16	OE Width	250		ns
17	Address Valid to OE Low	125		ns



Legend:	
T1 Reset Clock Width	30 ns Min
T2 Input Clock High	100 ns Min
T3 Input Clock Period	200 ns Min
T4 Input Clock Low	100 ns Min
T5 Clock to Address Counter Out Delay	15 ns Max
T6 Epm/Vpp Set up Time	40 $\mu$ s Min

Figure 18. Z86E04/E08 Address Counter Waveform

FUNCTIONAL DESCRIPTION (Continued)

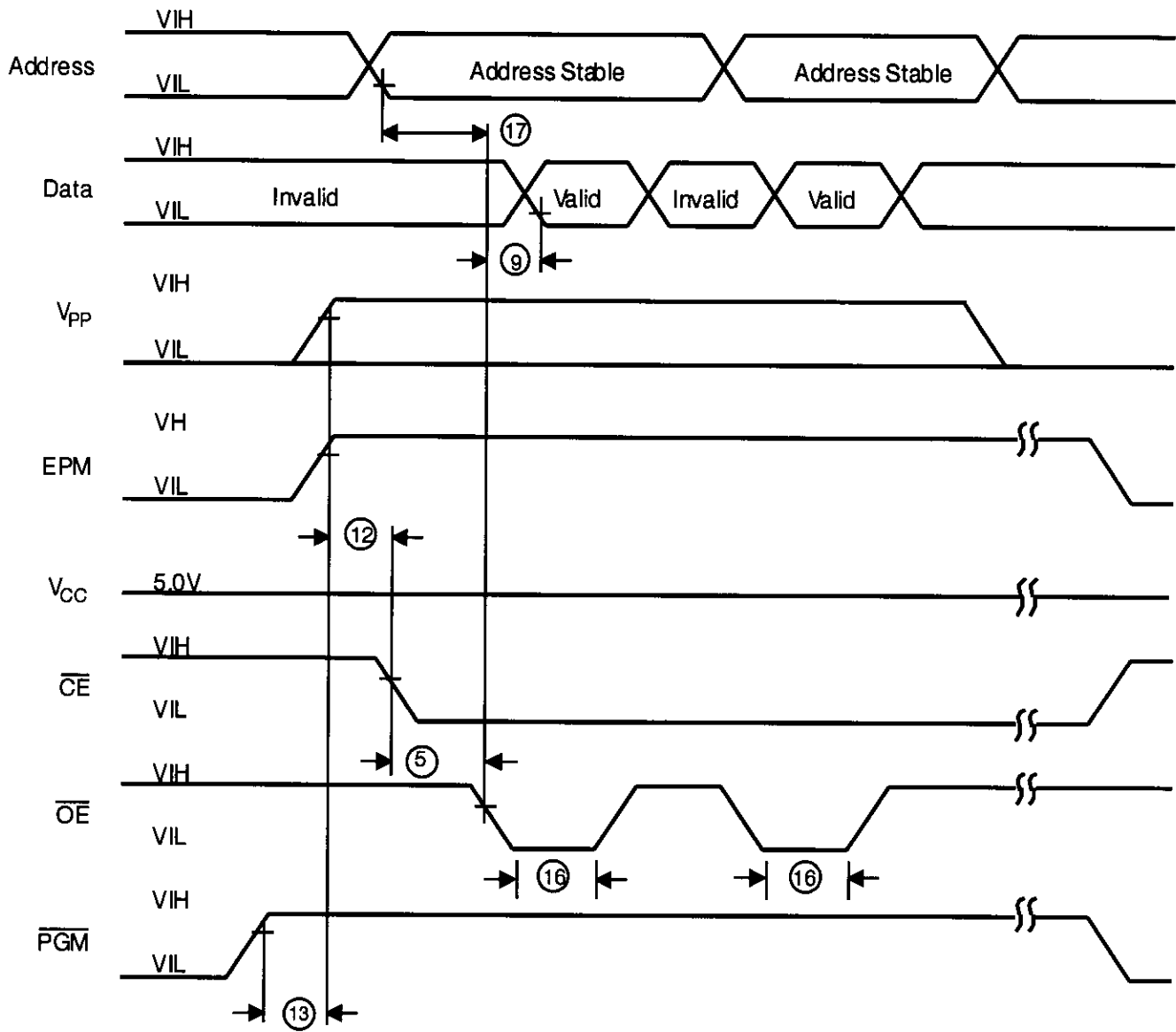


Figure 19. Z86E04/E08 Programming Waveform  
(EPROM Read)

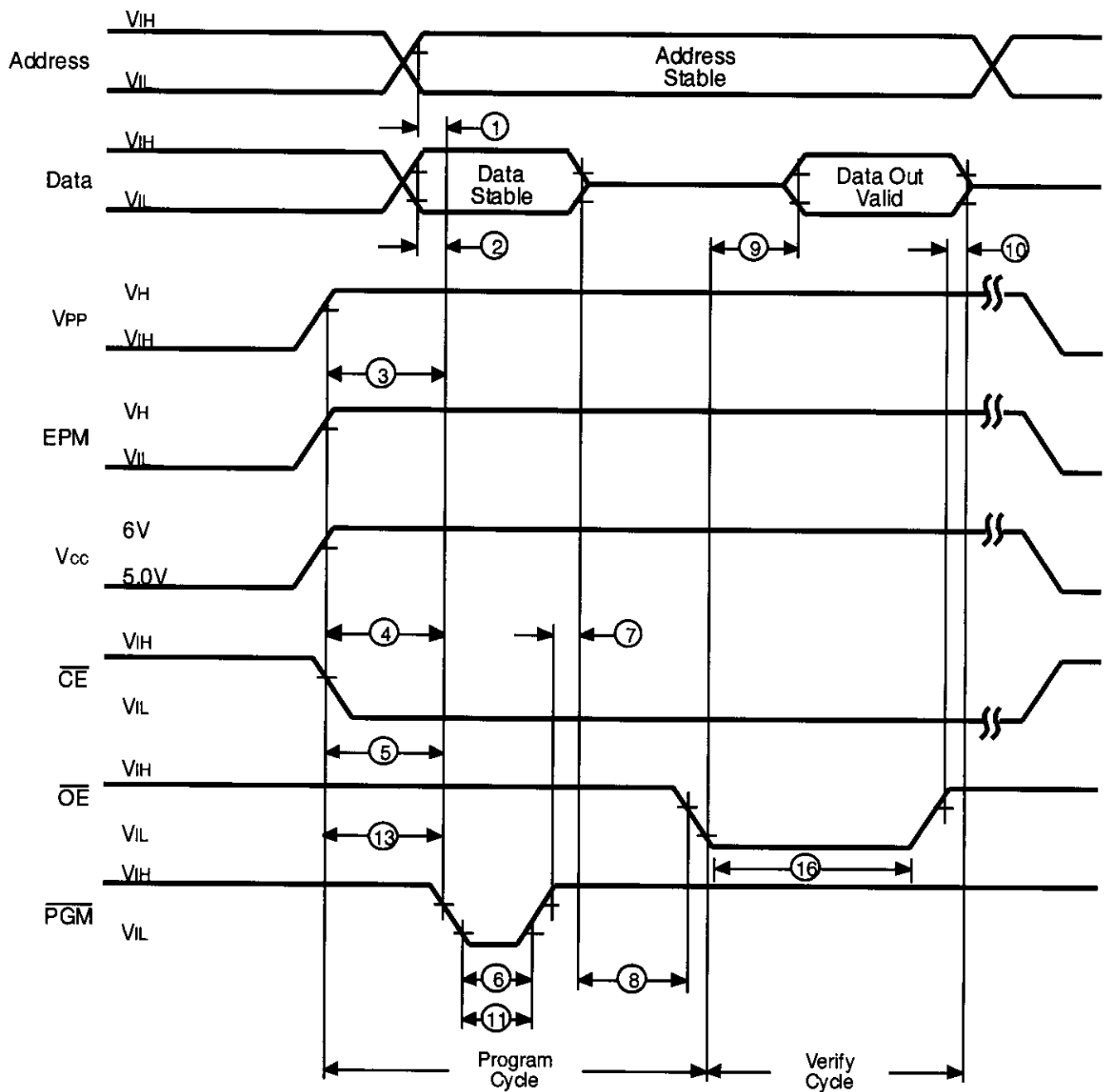


Figure 20. Z86E04/E08 Programming Waveform  
(Program and Verify)

FUNCTIONAL DESCRIPTION (Continued)

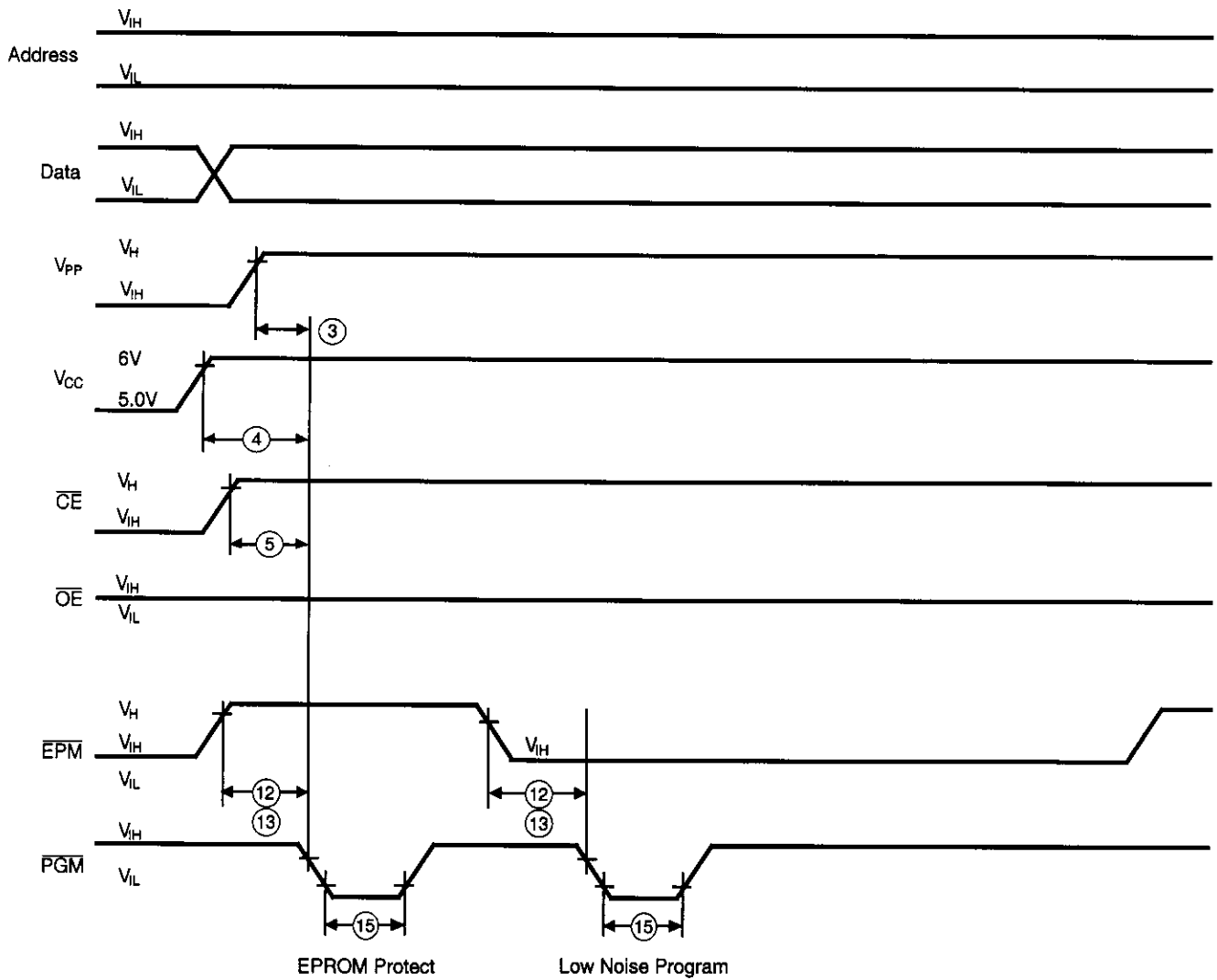


Figure 21. Z86E04/E08 Programming Options Waveform  
(EPROM Protect and Low Noise Program)

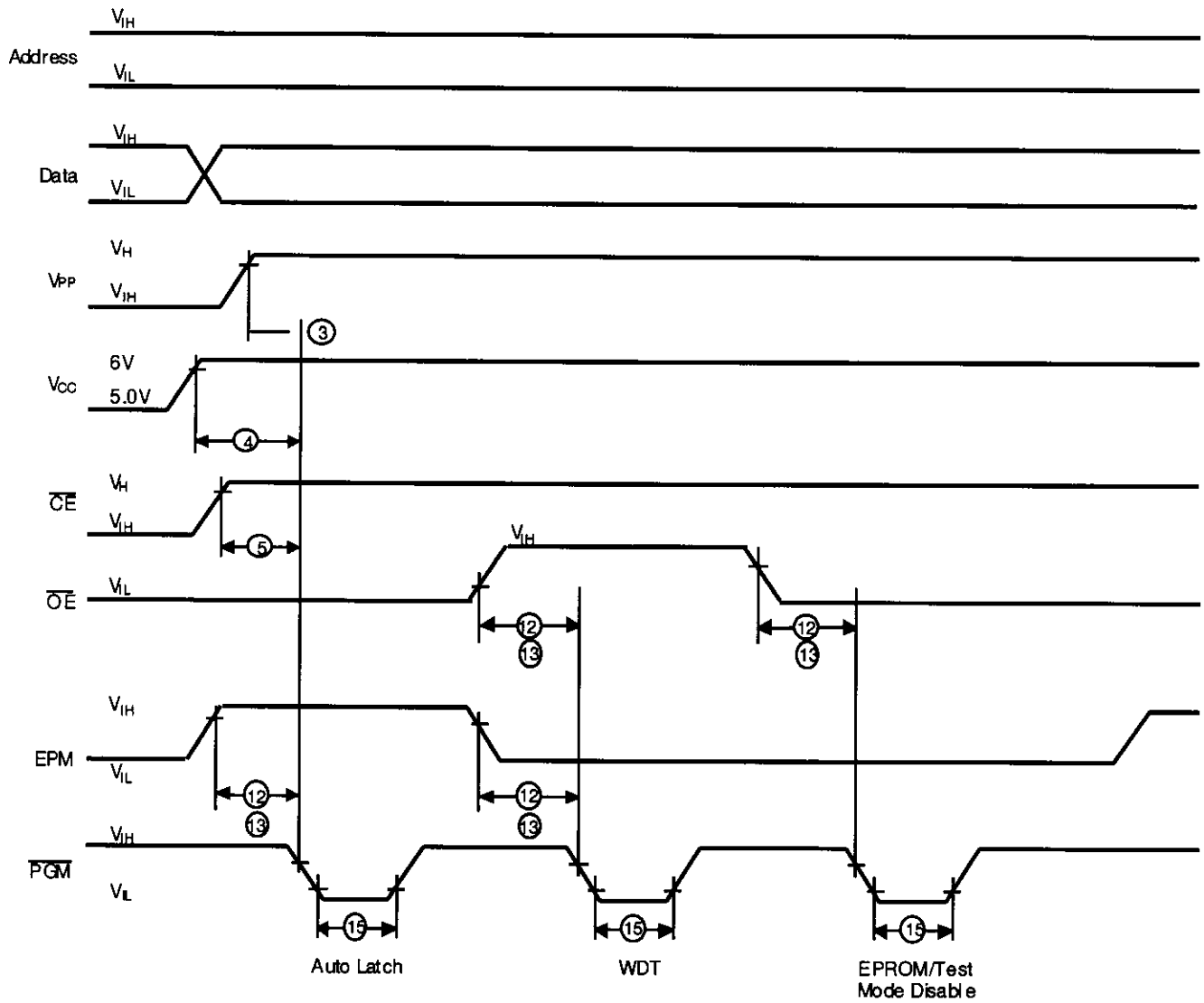


Figure 22. Z86E04/E08 Programming Options Waveform  
(Auto Latch Disable, Permanent WDT Enable and  
EPROM/Test Mode Disable)

FUNCTIONAL DESCRIPTION (Continued)

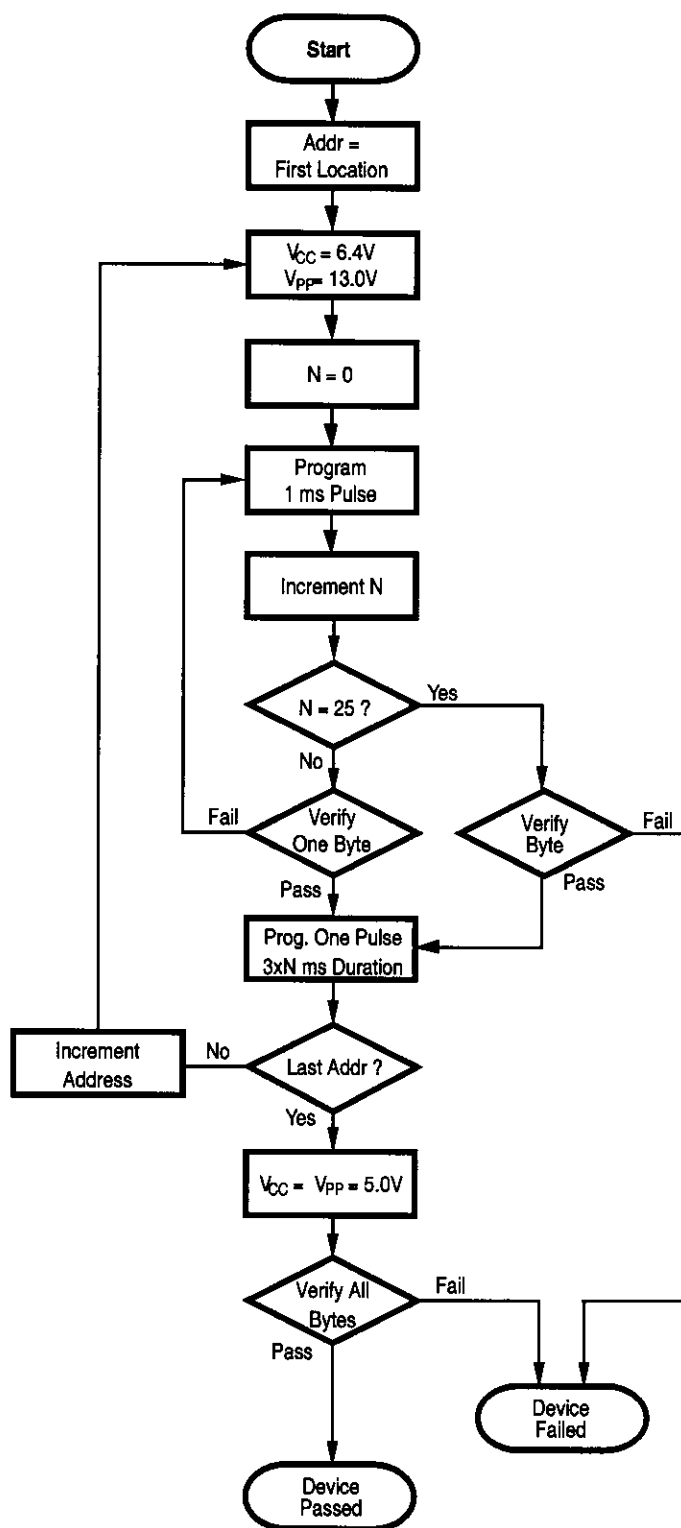


Figure 23. Z86E04/E08 Programming Algorithm



Z8 CONTROL REGISTERS

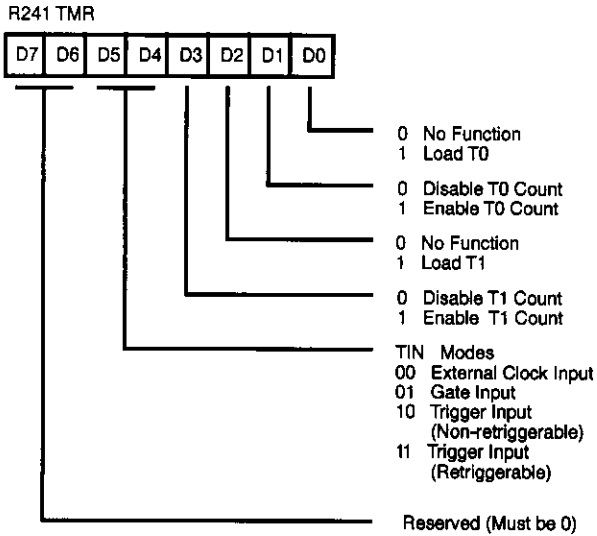


Figure 24. Timer Mode Register (F1<sub>H</sub>: Read/Write)

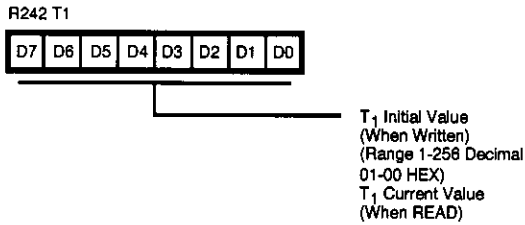


Figure 25. Counter Timer 1 Register (F2<sub>H</sub>: Read/Write)

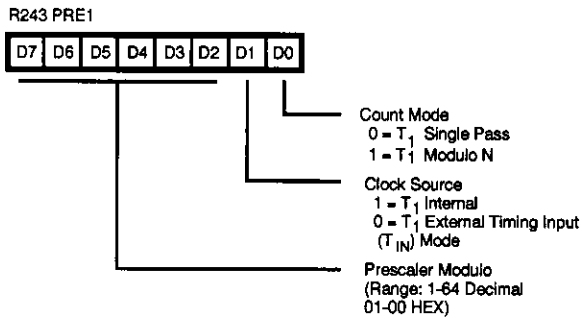


Figure 26. Prescaler 1 Register (F3<sub>H</sub>: Write Only)

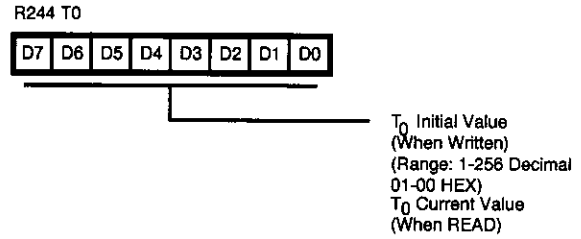


Figure 27. Counter/Timer 0 Register (F4<sub>H</sub>: Read/Write)

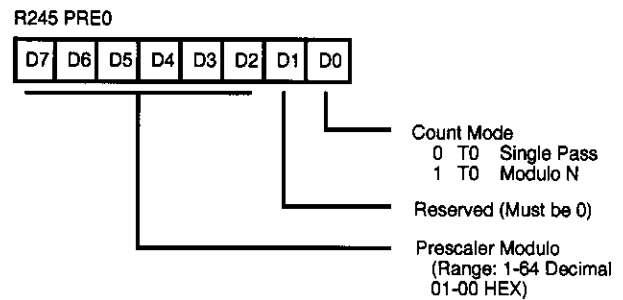


Figure 28. Prescaler 0 Register (F5<sub>H</sub>: Write Only)

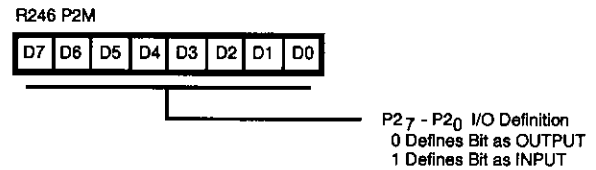


Figure 29. Port 2 Mode Register (F6<sub>H</sub>: Write Only)

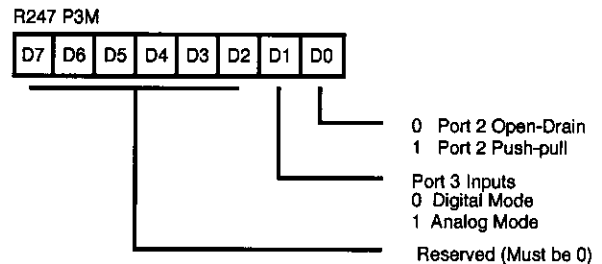


Figure 30. Port 3 Mode Register (F7<sub>H</sub>: Write Only)

Z8 CONTROL REGISTERS (Continued)

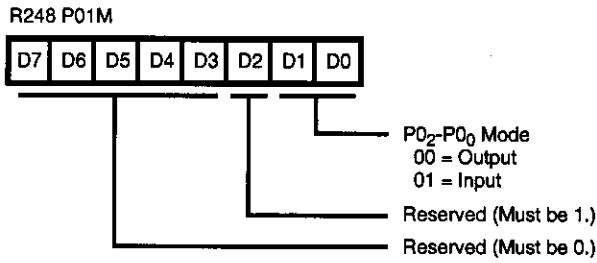


Figure 31. Port 0 and 1 Mode Register (F8<sub>H</sub>: Write Only)

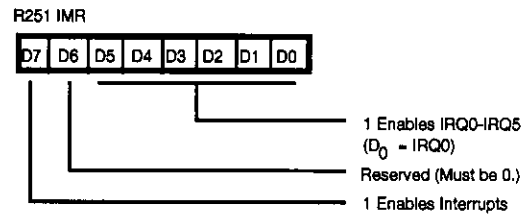


Figure 34. Interrupt Mask Register (FB<sub>H</sub>: Read/Write)

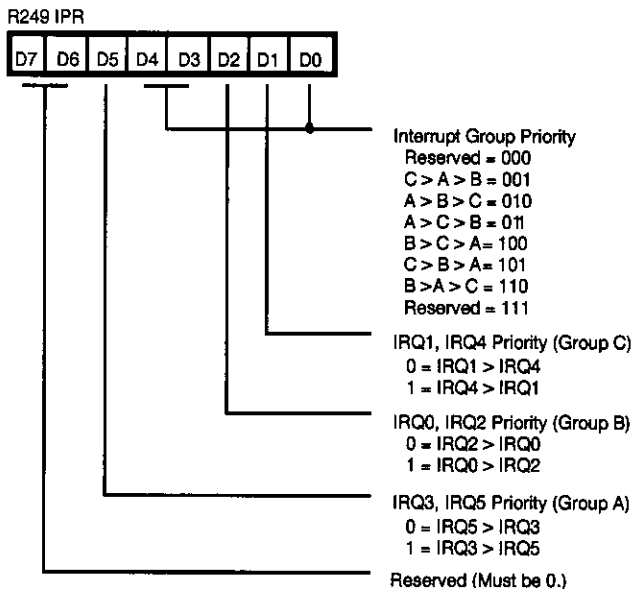


Figure 32. Interrupt Priority Register (F9<sub>H</sub>: Write Only)

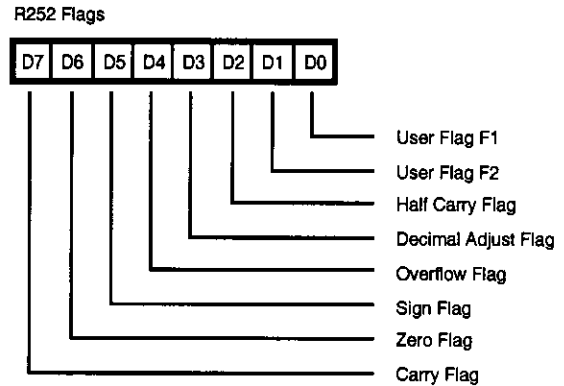


Figure 35. Flag Register (FC<sub>H</sub>: Read/Write)

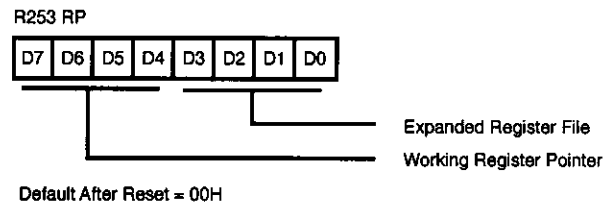


Figure 36. Register Pointer (FD<sub>H</sub>: Read/Write)

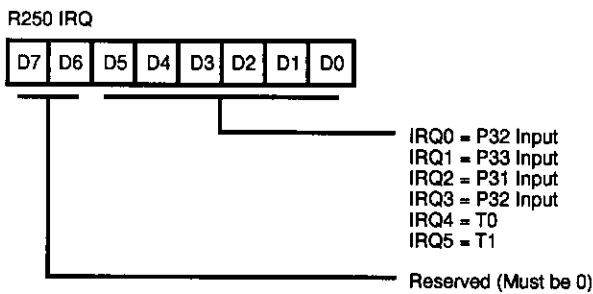


Figure 33. Interrupt Request Register (FA<sub>H</sub>: Read/Write)

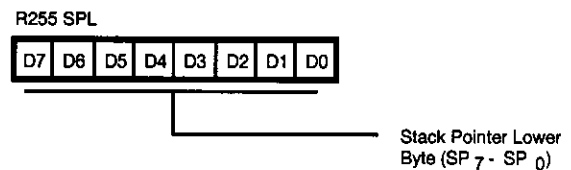
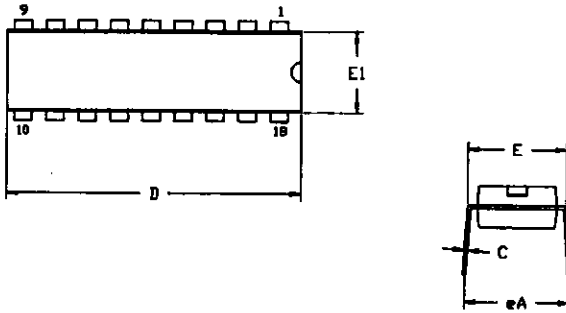
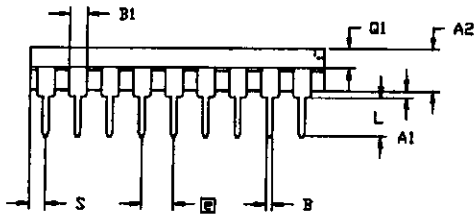


Figure 37. Stack Pointer (FF<sub>H</sub>: Read/Write)

PACKAGE INFORMATION

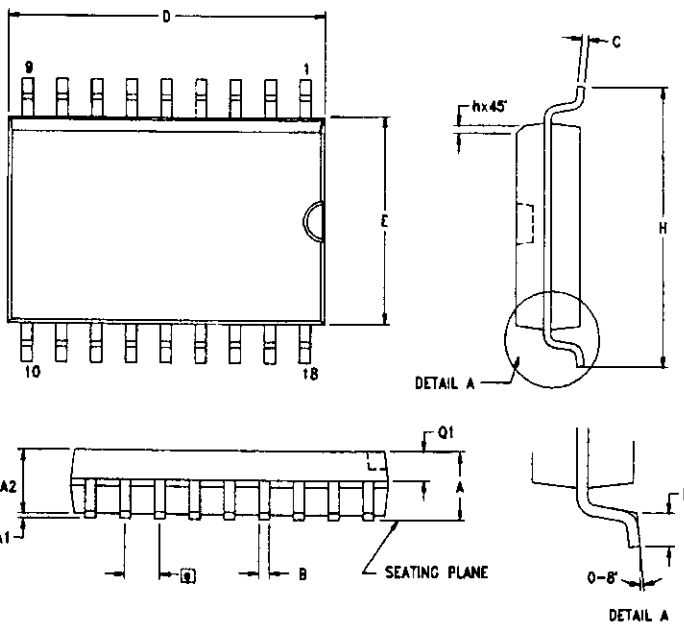


SYMBOL	MILLIMETER		INCH	
	MIN	MAX	MIN	MAX
A1	0.51	0.81	.020	.032
A2	3.25	3.43	.128	.135
B	0.38	0.53	.015	.021
B1	1.14	1.65	.045	.065
C	0.23	0.38	.009	.015
D	22.35	23.37	.880	.920
E	7.62	8.13	.300	.320
E1	6.22	6.48	.245	.255
□	2.54 TYP		.100 TYP	
eA	7.87	8.89	.310	.350
L	3.18	3.81	.125	.150
Q1	1.52	1.65	.060	.065
S	0.89	1.65	.035	.065



CONTROLLING DIMENSIONS : INCH

18-Pin DIP Package Diagram



SYMBOL	MILLIMETER		INCH	
	MIN	MAX	MIN	MAX
A	2.40	2.65	0.094	0.104
A1	0.10	0.30	0.004	0.012
A2	2.24	2.44	0.088	0.096
B	0.36	0.46	0.014	0.018
C	0.23	0.30	0.009	0.012
D	11.40	11.75	0.449	0.463
E	7.40	7.60	0.291	0.299
□	1.27 TYP		0.050 TYP	
H	10.00	10.65	0.394	0.419
h	0.30	0.50	0.012	0.020
L	0.60	1.00	0.024	0.039
Q1	0.97	1.07	0.038	0.042

CONTROLLING DIMENSIONS : MM  
LEADS ARE COPLANAR WITHIN .004 INCH.

18-Pin SOIC Package Diagram

**ORDERING INFORMATION**

**Z86E04**

**Standard Temperature**

18-Pin DIP	18-Pin SOIC
Z86E0412PSC	Z86E0412SSC
Z86E0412PEC	Z86E0412SEC

**Z86E08**

**Standard Temperature**

18-Pin DIP	18-Pin SOIC
Z86E0812PSC	Z86E0812SSC
Z86E0812PEC	Z86E0812SEC

For fast results, contact your local Zilog sales office for assistance in ordering the part(s) desired.

**Codes**

**Preferred Package**

P = Plastic DIP

**Longer Lead Time**

S = SOIC

**Preferred Temperature**

S = 0°C to +70°C

E = -40°C to +105°C

**Speeds**

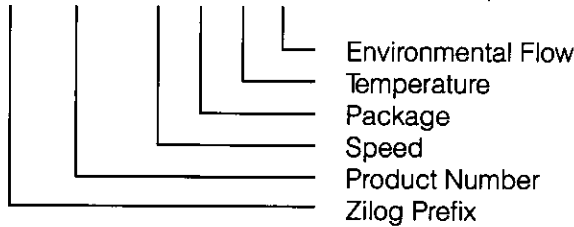
12 = 12 MHz

**Environmental**

C = Plastic Standard

**Example:**

**Z 86E04 12 P S C** is a Z86E04, 12 MHz, DIP, 0°C to +70°C, Plastic Standard Flow



---

**Pre-Characterization Product:**

The product represented by this CPS is newly introduced and Zilog has not completed the full characterization of the product. The CPS states what Zilog knows about this product at this time, but additional features or nonconformance with some aspects of the CPS may be

found, either by Zilog or its customers in the course of further application and characterization work. In addition, Zilog cautions that delivery may be uncertain at times, due to start-up yield issues.

---

© 1998 by Zilog, Inc. All rights reserved. No part of this document may be copied or reproduced in any form or by any means without the prior written consent of Zilog, Inc. The information in this document is subject to change without notice. Devices sold by Zilog, Inc. are covered by warranty and patent indemnification provisions appearing in Zilog, Inc. Terms and Conditions of Sale only.

Zilog, Inc. shall not be responsible for any errors that may appear in this document. Zilog, Inc. makes no commitment to update or keep current the information contained in this document.

ZILOG, INC. MAKES NO WARRANTY, EXPRESS, STATUTORY, IMPLIED OR BY DESCRIPTION, REGARDING THE INFORMATION SET FORTH HEREIN OR REGARDING THE FREEDOM OF THE DESCRIBED DEVICES FROM INTELLECTUAL PROPERTY INFRINGEMENT. ZILOG, INC. MAKES NO WARRANTY OF MERCHANTABILITY OR FITNESS FOR ANY PURPOSE.

Zilog's products are not authorized for use as critical components in life support devices or systems unless a specific written agreement pertaining to such intended use is executed between the customer and Zilog prior to use. Life support devices or systems are those which are intended for surgical implantation into the body, or which sustains life whose failure to perform, when properly used in accordance with instructions for use provided in the labeling, can be reasonably expected to result in significant injury to the user.

Zilog, Inc. 210 East Hacienda Ave.  
Campbell, CA 95008-6600  
Telephone (408) 370-8000  
FAX 408 370-8056  
Internet: <http://www.zilog.com>

---



Компания «ЭлектроПласт» предлагает заключение долгосрочных отношений при поставках импортных электронных компонентов на взаимовыгодных условиях!

Наши преимущества:

- Оперативные поставки широкого спектра электронных компонентов отечественного и импортного производства напрямую от производителей и с крупнейших мировых складов;
- Поставка более 17-ти миллионов наименований электронных компонентов;
- Поставка сложных, дефицитных, либо снятых с производства позиций;
- Оперативные сроки поставки под заказ (от 5 рабочих дней);
- Экспресс доставка в любую точку России;
- Техническая поддержка проекта, помощь в подборе аналогов, поставка прототипов;
- Система менеджмента качества сертифицирована по Международному стандарту ISO 9001;
- Лицензия ФСБ на осуществление работ с использованием сведений, составляющих государственную тайну;
- Поставка специализированных компонентов (Xilinx, Altera, Analog Devices, Intersil, Interpoint, Microsemi, Aeroflex, Peregrine, Syfer, Eurofarad, Texas Instrument, Miteq, Cobham, E2V, MA-COM, Hittite, Mini-Circuits, General Dynamics и др.);

Помимо этого, одним из направлений компании «ЭлектроПласт» является направление «Источники питания». Мы предлагаем Вам помощь Конструкторского отдела:

- Подбор оптимального решения, техническое обоснование при выборе компонента;
- Подбор аналогов;
- Консультации по применению компонента;
- Поставка образцов и прототипов;
- Техническая поддержка проекта;
- Защита от снятия компонента с производства.



#### Как с нами связаться

**Телефон:** 8 (812) 309 58 32 (многоканальный)

**Факс:** 8 (812) 320-02-42

**Электронная почта:** [org@eplast1.ru](mailto:org@eplast1.ru)

**Адрес:** 198099, г. Санкт-Петербург, ул. Калинина, дом 2, корпус 4, литера А.